

# Dividends Horizon® Intermediate Gallery Panel Installation Instructions

## Freestanding Dividends Horizon Intermediate Gallery Screen

### Tools Required

- Drill/Driver (**DO NOT USE** Impact Driver)
- Pencil
- 3/8" drill bit
- Tape measure
- Two (2) 4mm allen wrenches
- Level

1. Lay Gallery Panel on a clean, soft and raised surface (table or bench)
2. Measure 10" in from each end and mark a line
3. Align the outer edge of the freestanding foot to this line and the bottom edge to the bottom of the Intermediate Gallery Panel
4. Using slots in the freestanding foot as a template, mark two drilling locations (near the bottom of the slot). Repeat steps 3 and 4 for both ends of the Intermediate Gallery Panel
5. Using the marks above, a drill and a 3/8" drill bit, drill (4) four through-holes perpendicular to the face of the Intermediate Gallery Panel
6. Using the hardware provided loosely install the gallery panel free standing feet as shown (do not install the covers (item 6) at this time) (**Figure A**)
7. Stand the Intermediate Gallery Panel up – with the free-standing feet loosely installed, level the Intermediate Gallery Panel so the top edge is even with the **BOTTOM** edge of the adjacent DH panel top cap trim (**Figure 1a**)
8. Using a level, adjust the gallery panel free-standing feet independently to ensure the Intermediate Gallery Panel is plumb and tighten the fasteners securely, from each side, with two (2) 4mm allen wrenches. (**Figure 1b**)
9. With the Intermediate Gallery Panel now level and plumb, turn each leveler clock-wise so that the full weight of the Intermediate Gallery Panel is resting on the free-standing feet. **Failure to follow this step can cause the Intermediate Gallery Panel to feel wobbly.**
10. Install the foot covers (item 6) with the supplied Velcro pads (item 7).

Fig. A

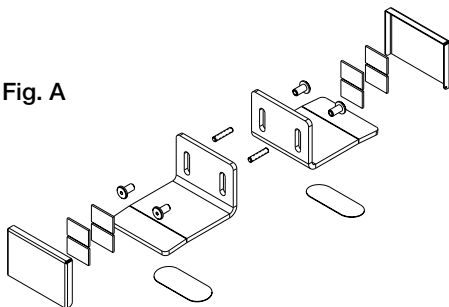


Fig. 1a

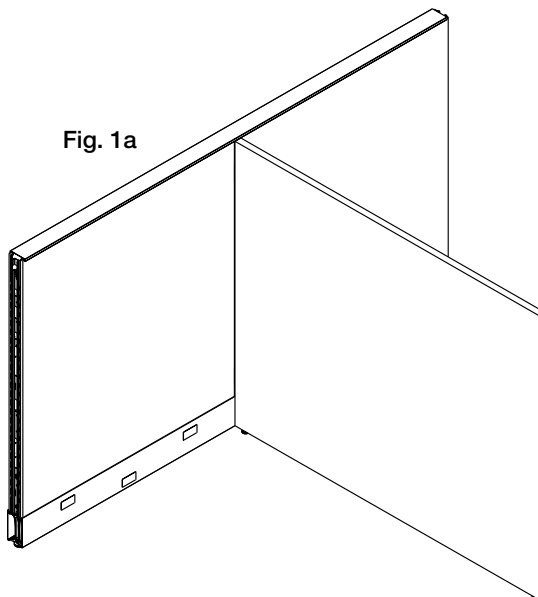
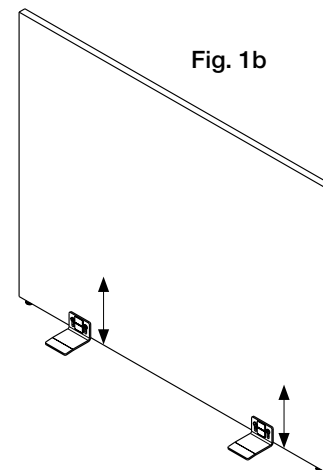


Fig. 1b



## DISASSEMBLY FOR RECYCLING

### Materials Identification and Segregation:

Where possible plastic components are marked with ASTM recycling codes. Use these codes to identify material type for recycling. Non-marked components should be treated as mixed plastic. Ferrous metals can be identified using a small magnet for recycling. Non-ferrous metals should be separated and recycled separately.

**To disassemble product,** reverse the above installation steps.

## Dividends Horizon® Intermediate Gallery Panel Installation Instructions, continued

### Freestanding Dividends Horizon Intermediate Gallery Screen

#### Tools Required

- Drill/Driver (**DO NOT USE** Impact Driver)
- #2 phillips bit
- 5/64" drill bit
- Pencil
- Level

### Panel Mounted Dividends Horizon Intermediate Gallery Screen

1. Place one of the Gallery Panel Brackets in the upper-most and one in the lower-most Dividends panel slotted standard (LH Brackets shown below)
2. Level the Intermediate Gallery Panel so the top edge is even with the BOTTOM edge of the adjacent DH panel top cap trim (**Figure 2**)
3. With the intermediate Gallery Panel level, slide it adjacent to the Gallery Panel Brackets and mark the bracket's top edge on the face of the Intermediate Gallery Panel (**Figure 3** top and Figure 3 Bottom-use together)
4. Remove the brackets from the panel
5. Use the marks for the height of the bracket and then align the Gallery Panel Brackets with the edge of the Gallery Panel (**Figure 4**), mark each drilling location
6. Using a 5/64" drill bit, drill a pilot hole in each marked location
7. Using the hardware provided, attach both Gallery Panel Brackets
8. Install the Intermediate Gallery Panel to the slotted standard

Fig. 2

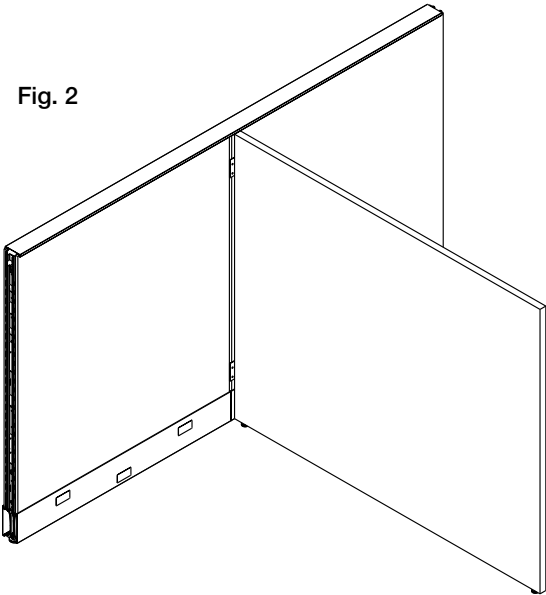


Fig. 3

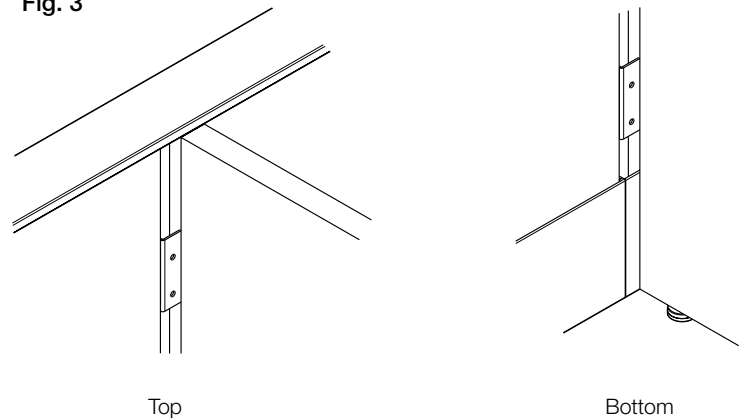
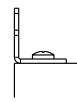


Fig. 4



LH Bracket shown