

# Dividends Horizon® Covered L

PRIOR TO INSTALLING ANY OF THE GALLERY PANEL ADD UP GLASS PARTS MAKE SURE THE FOLLOWING IS COMPLETE:

- All Dividend Horizon panels are leveled out and plumb with the floor. Make sure that all in line panel joints are straight and that anything perpendicular to the panel is set at a true 90 degrees.
- All Gallery panel attachments to the Dividends panels are tight, that all Gallery panels are leveled out and plumb to the floor and that all 90 degree angles are set at a true 90 degrees

1. Mark the top of the Gallery panel 6" off the end that is attached to the Dividends panel (this is the same regardless of whether or not returns or extensions are added). (Fig. 1)
2. Align the aluminum channel and trim to the mark and clamp the assembly in place as shown. **Note:** if the trim does not sit flat on the channel turn the set screws in until they are below the surface and do not interfere with the trim. (Fig. 2)
3. Carefully mark the top of the Gallery panel (sharpie) through the predrilled holes in the bottom of the channel. (Fig. 3)

continued...

Fig. 1

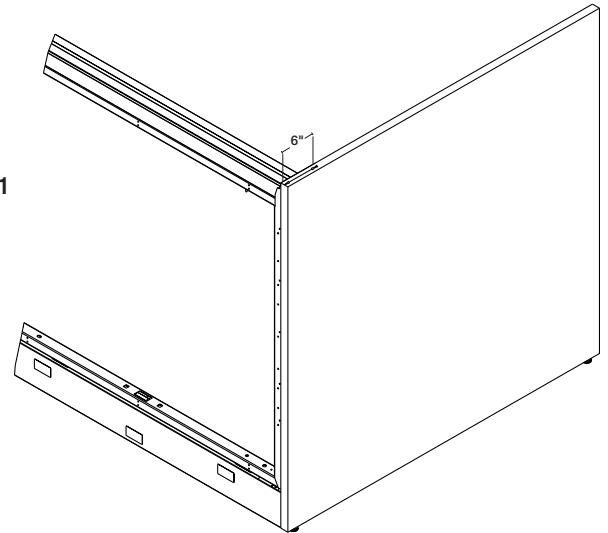


Fig. 2

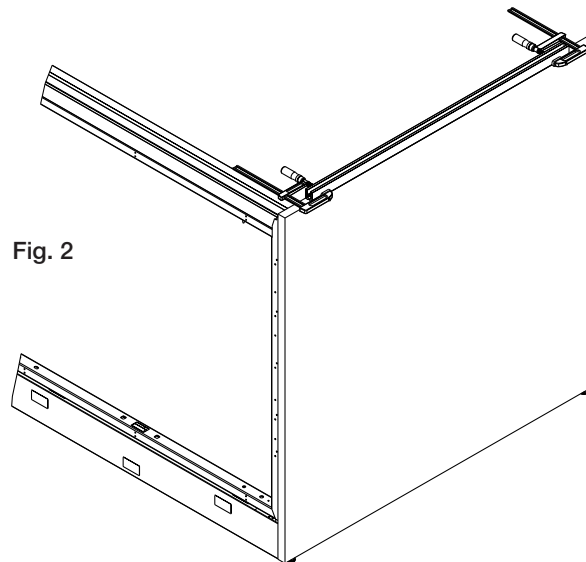
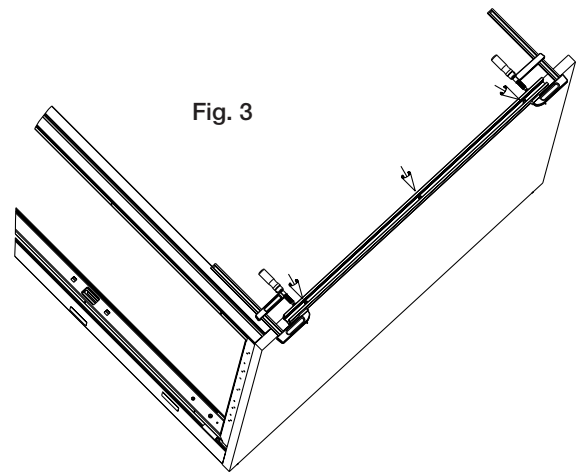


Fig. 3



## Dividends Horizon® Covered L, continued

4. Remove the channel assembly then use a 5/32" drill bit to drill pilot holes 1" deep. Keep holes parallel to the face of the gallery panel. **(Fig. 4)**
5. Replace the channel and trim assembly on top of the gallery panel and clamp back in place (aligning to the holes and end mark). Drive the 2 1/2" Flat head shrews into the pilot holes. Use an extended driver bit to protect the channel. Make sure the screw heads are seated below the bottom surface of the channel. **(Fig. 5)**
6. Insert the plastic bottom spacer (approximately 1/2" by 1/16" thick) into the channel and make sure that it is centered end to end. If the set screws are protruding into the channel opening back the set screws out until the tips are out of the channel. **(Fig. 6)**

continued...

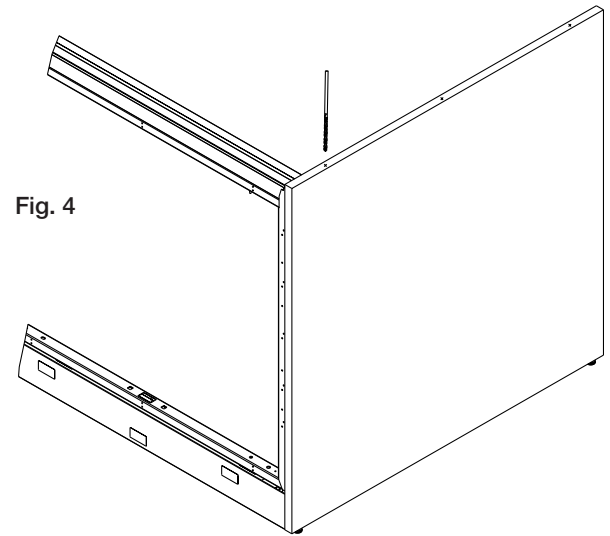


Fig. 4

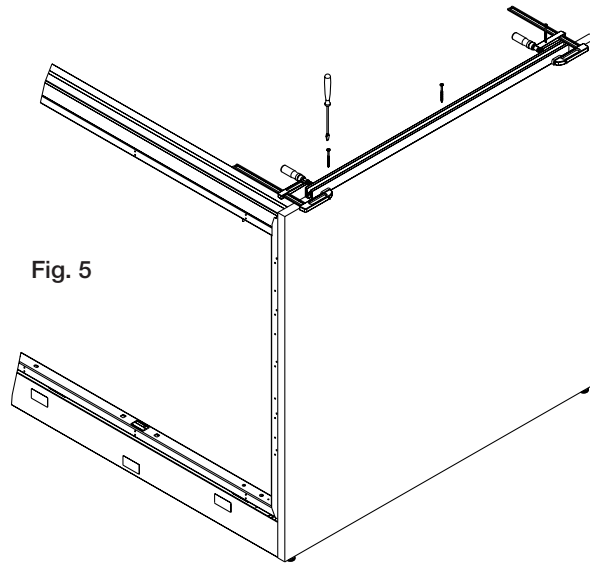


Fig. 5

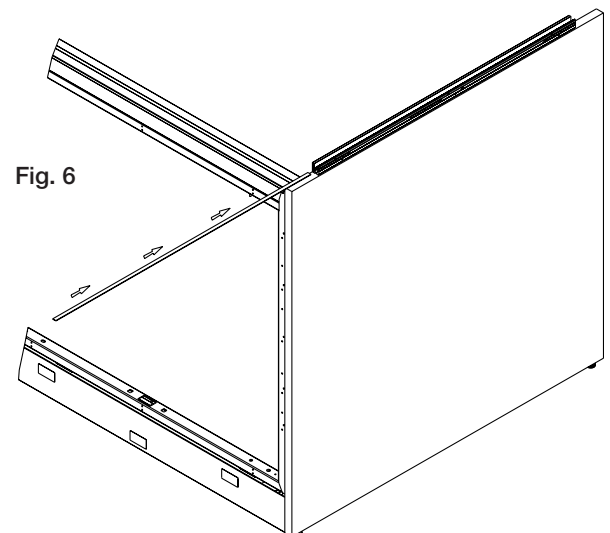


Fig. 6

## Dividends Horizon® Covered L, continued

If the Glass Add up substrate is thinner than 1/2":

7. If the Glass Add up substrate is thinner than 1/2" then install the glass filler strips as shown in **Fig. 7.1** (3/8" glass-pay attention to the orientation of this filler strip), if the glass is 1/4" thick see **Fig. 7.2**. Center the strips end to end.

**Assembly Tip for non-1/2" material:**

8. Assembly Tip for non-1/2" material. Take the short piece of the bottom spacer, cut it in half and then fold it as shown in **Fig. 8.1**. Insert it between the two glass filler strips. (**Fig. 8.2**) This will hold the filler strips in place during glass install.

9. Scissor the glass or PET in as shown (**Fig. 9**)

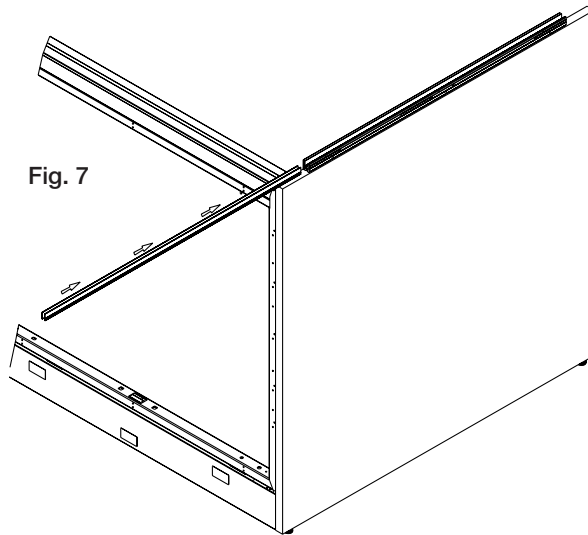


Fig. 7

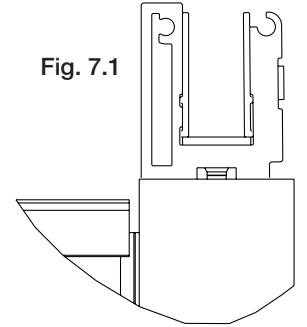


Fig. 7.1

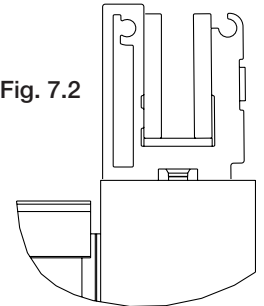


Fig. 7.2

continued...

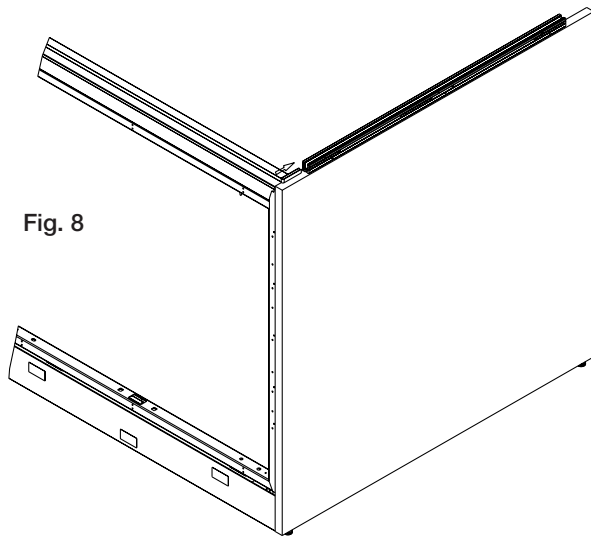


Fig. 8

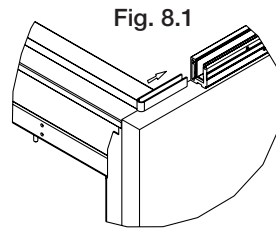


Fig. 8.1

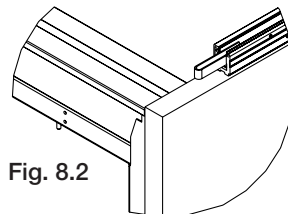


Fig. 8.2

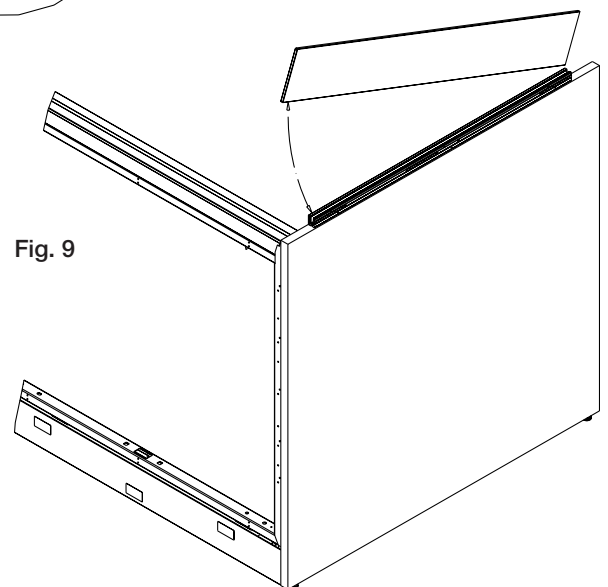


Fig. 9

## Dividends Horizon® Covered L, continued

**10. For Glass substrate:** if the glass has filler strips make sure they are fully seated and centered end to end in the channel. Make sure the glass is also fully seated and that the end is aligned to the center line of the Dividends Horizon Panel or add up glass (See Fig. 10.2/10.3). Fig. 10.1 Snug up the bottom set screw from one end to the other. Make sure the head of the set screw is at or below the surface. Then snug up the top set screw from end to end to make the glass plumb. **Note:** when you drive the top set screw in deeper it moves the top edge away from you.

**For PET substrate:** Make sure PET is fully seated and positioned correctly from side to side (see PET Iso view; see note for Fig. 10 and/or Fig. 10.2/10.3). Drive the #6 5/8" long flat head wood screws into both ends of the extrusion as shown.

Snug up the bottom set screws from one end of the channel to the other end. Make sure the head of the set screw is at or below the surface. (See PET Side view) Then snug up the top set screws from one end to the other to make the PET Plumb. **Note:** when you drive the top set screw in deeper it moves the top edge away from you.

continued...

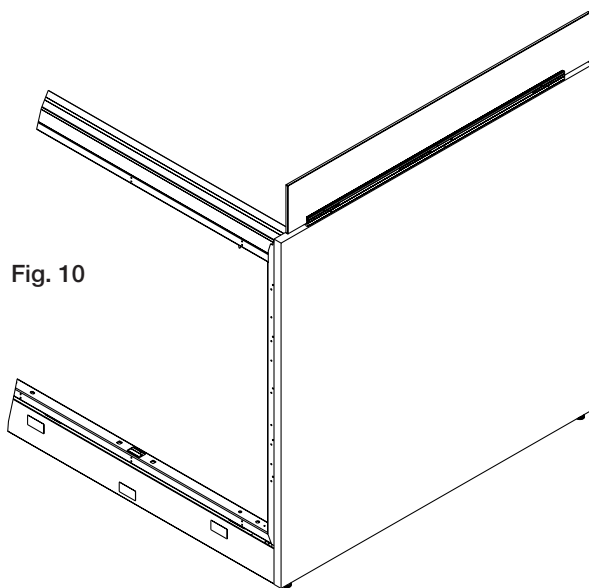


Fig. 10

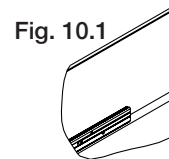


Fig. 10.1

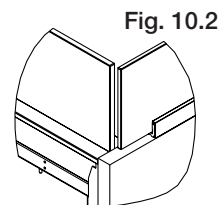


Fig. 10.2

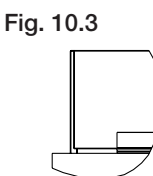
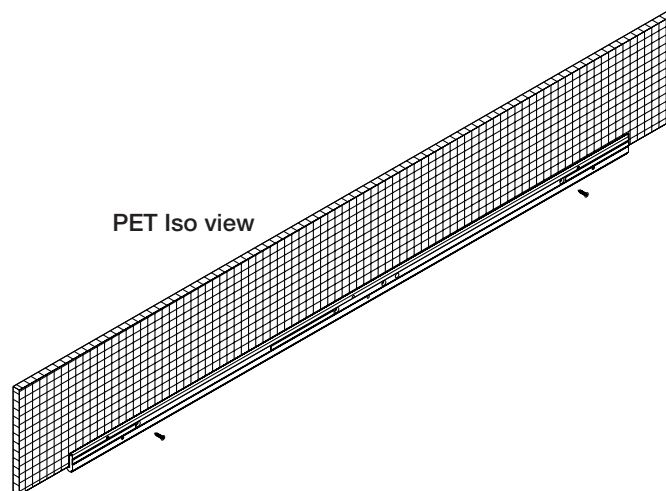
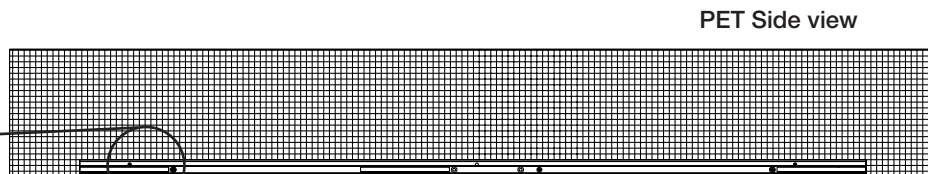


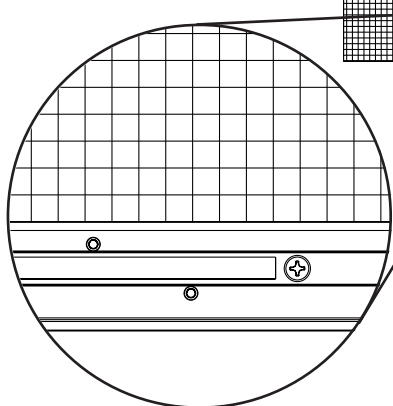
Fig. 10.3



PET Iso view



PET Side view



## Dividends Horizon® Covered L, continued

11. Remove the liners from all pieces of the preinstalled tape. (**Figs. 11 and 11.1**)
12. Align the trim piece with the installed channel (end to end), rotate down into place and then apply clamps as shown (**Figs. 12 and 12.2**) at all tape positions. Keep clamps in place (under pressure) for 10 minutes.

continued...

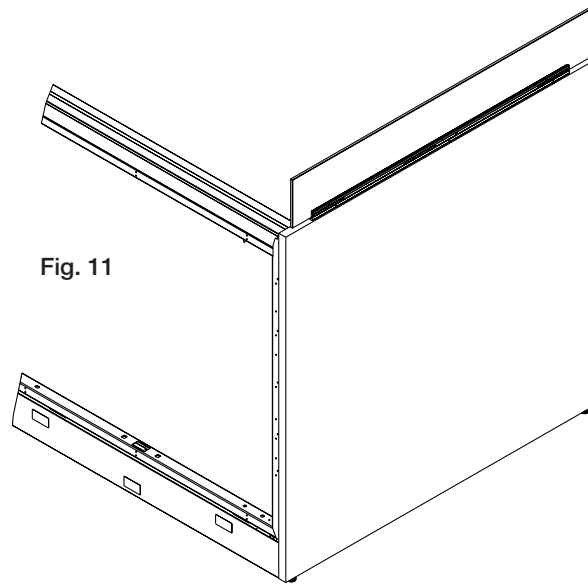


Fig. 11

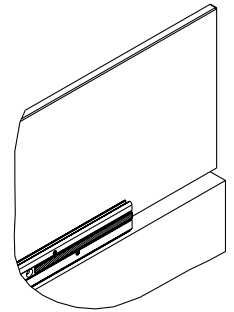


Fig. 11.1

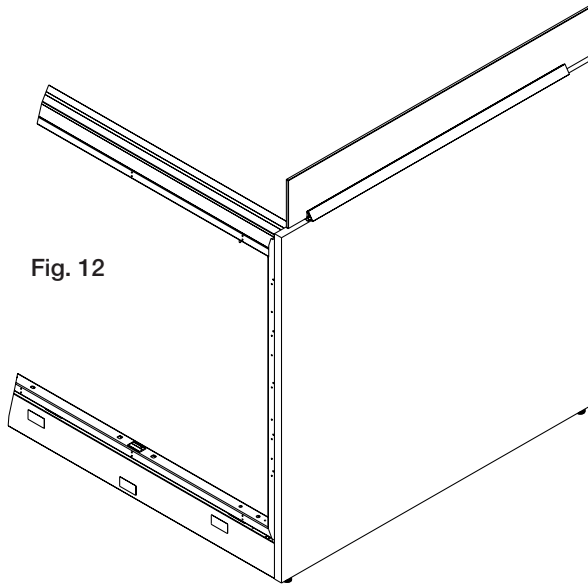


Fig. 12

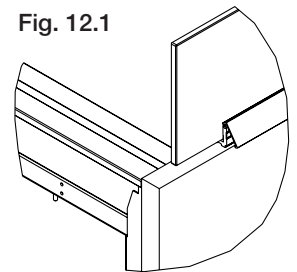


Fig. 12.1

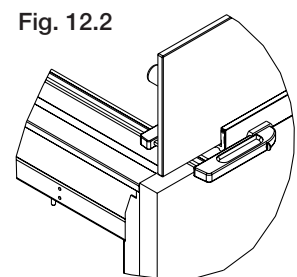


Fig. 12.2

## Dividends Horizon® Covered L, continued

13. Shows the Glass alignment to the adjacent panel and the gallery panel. (Figs. 13/13.1 and 13/13.2)

14. Slide the notched end caps towards the installed channel and align the pins with the holes in the channel. Push it into place until it seats. If it is difficult to seat, use a rubber mallet to tap it into place. (Fig. 14)

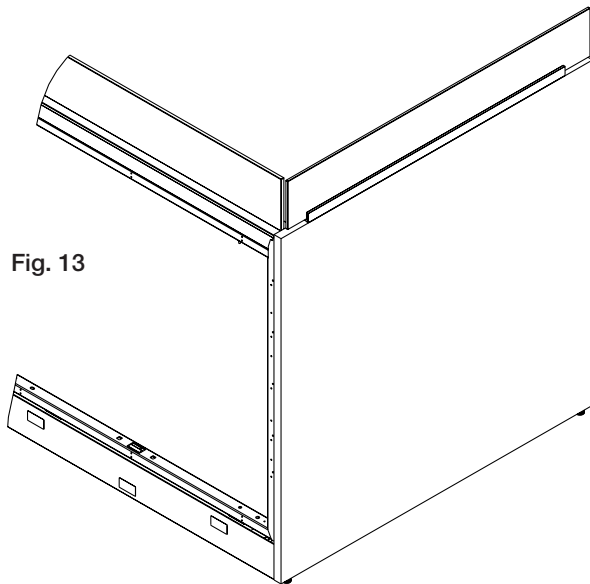


Fig. 13

Fig. 13.1

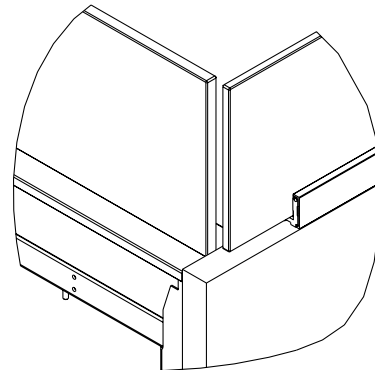


Fig. 13.2

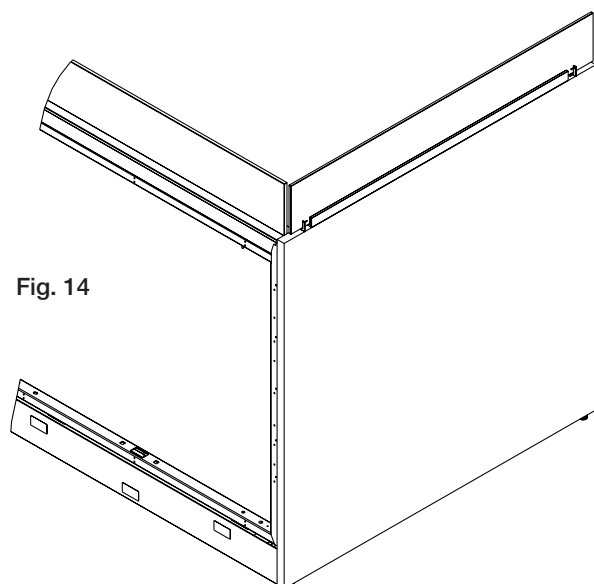
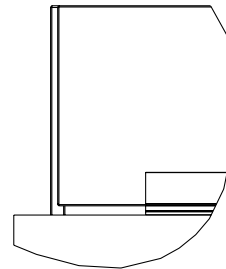


Fig. 14

Fig. 14.1

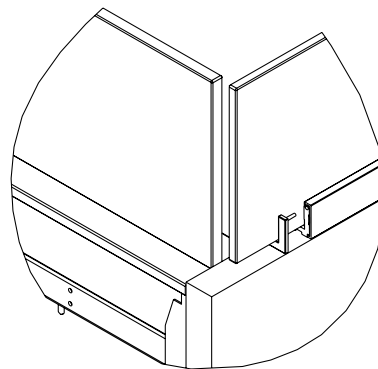


Fig. 14.2

