

Inlet Screens by Knoll

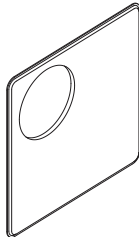
Pattern Numbers Represented:

Screens: INFR

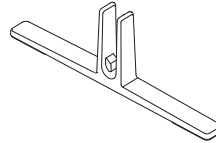
Parts List:

3AL2024xx Screen Panel (A)
 3AL2029 Foot (B)
 3AL2021 Handle (C)
 3AL2018 Porthole Trim (D)
 3AL2017 Porthole Acrylic (E)
 3AL2028xx Markerboard (F)
 3AL2025 Screw (G)

A) 3AL2024xx



B) 3AL2029



C) 3AL2021



D) 3AL2018



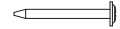
E) 3AL2017



F) 3AL2028xx



G) 3AL2025



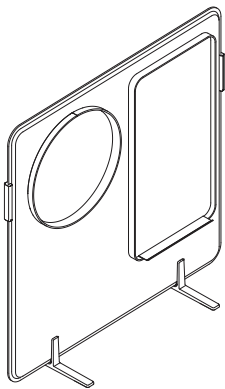
Tools Required:

Tape measure

Rubber mallet or dead blow hammer with non-marring face

Drill driver with #2 Phillips bit

Painter's tape



DISASSEMBLY FOR RECYCLING

Materials Identification and Segregation:

Where possible plastic components are marked with ASTM recycling codes. Use these codes to identify material type for recycling. Non-marked components should be treated as mixed plastic. Ferrous metals can be identified using a small magnet for recycling. Non-ferrous metals should be separated and recycled separately.

To disassemble product, reverse the above installation steps.

Inlet Screens by Knoll, continued

1. Feet

Labels on the screen (A) indicate the base where the feet will be installed.

1.1 Align the outside edge of a foot (B), glides are pre-installed, inboard 10-1/4" from the outside edge of the screen (A).

1.2 By hand, or with a mallet, tap the foot (B) onto the screen (A) until fully seated (friction fit) covering the label.

1.3 Drive #10x2" Phillips screw using a #2 Phillips driver at the lowest possible torque setting, through the hole in the bottom of the foot (B) into the screen (A) until the screw head is flush with the foot.

Repeat to install second foot (B) on other side of screen (A).

Fig. 1.1 & 1.2

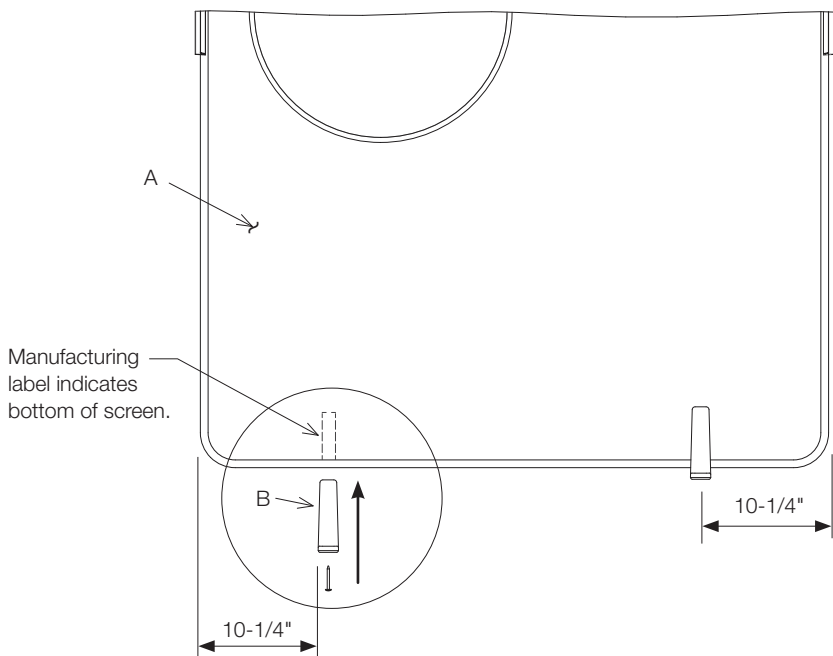
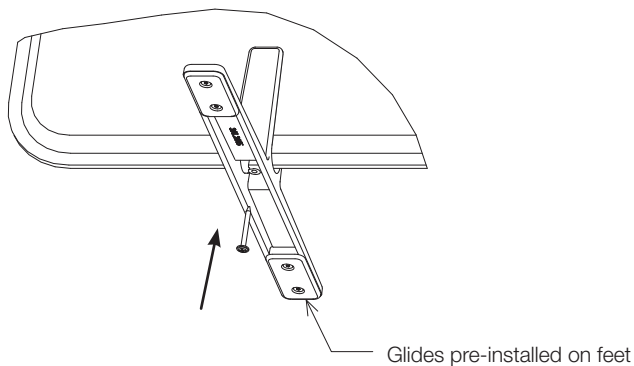


Fig. 1.3



Inlet Screens by Knoll, continued

2. Optional Porthole

2.1 Wrap porthole trim (D) around the acrylic (E) ensuring the acrylic sits inside the groove of the trim. Temporarily tape the end of the trim together with painter's tape.

2.2 Stand screen (A) upright. Orient acrylic/trim assembly (D,E) with the trim seam at top of the screen (A) opening (12 o'clock). Starting at the bottom of the screen (A) opening, angle the acrylic/trim (D,E) assembly into the screen (A). Tuck the trim (D) into the screen (A) opening starting at the bottom working to the top. Lightly tap trim the perimeter, using a dead-blow or rubber mallet, until acrylic/trim assembly (D,E) is fully seated within the screen (A) (friction fit) with equal amount of trim (D) protruding from each side of the screen (A).

2.3 Remove painter's tape.

Note: Once fully seated, ensure the butt joint of the trim is flush and there is no gap. The joint may require some adjustment by hand after tapping the trim into place.

Fig. 2.1

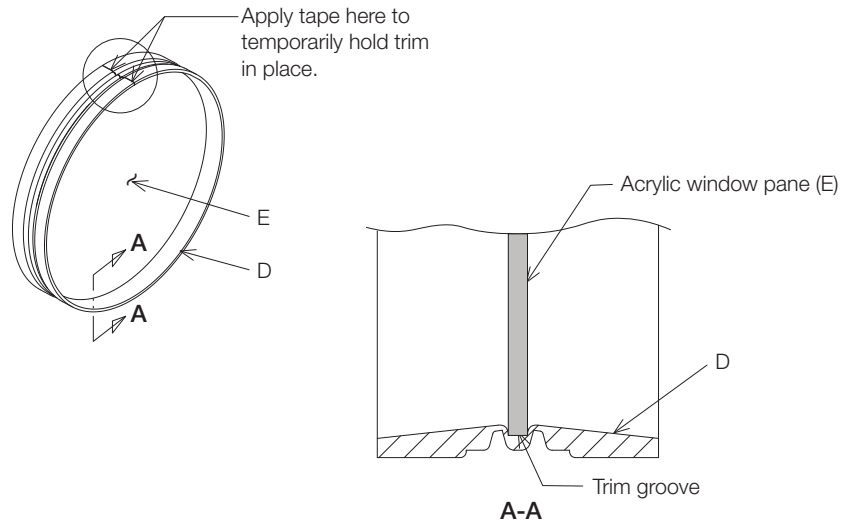
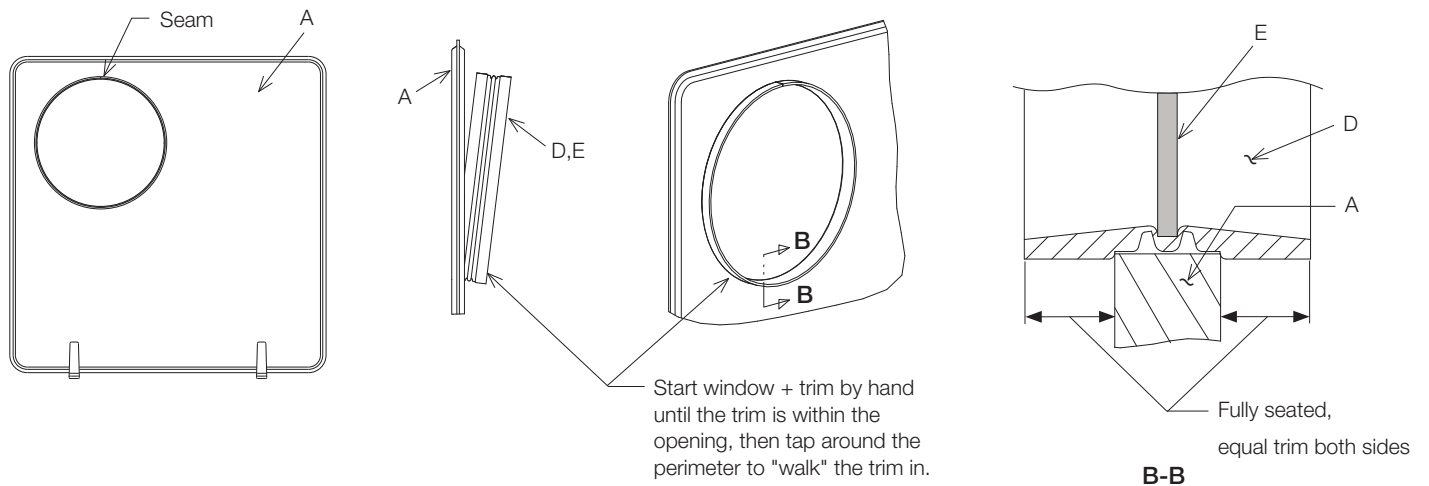


Fig. 2.2

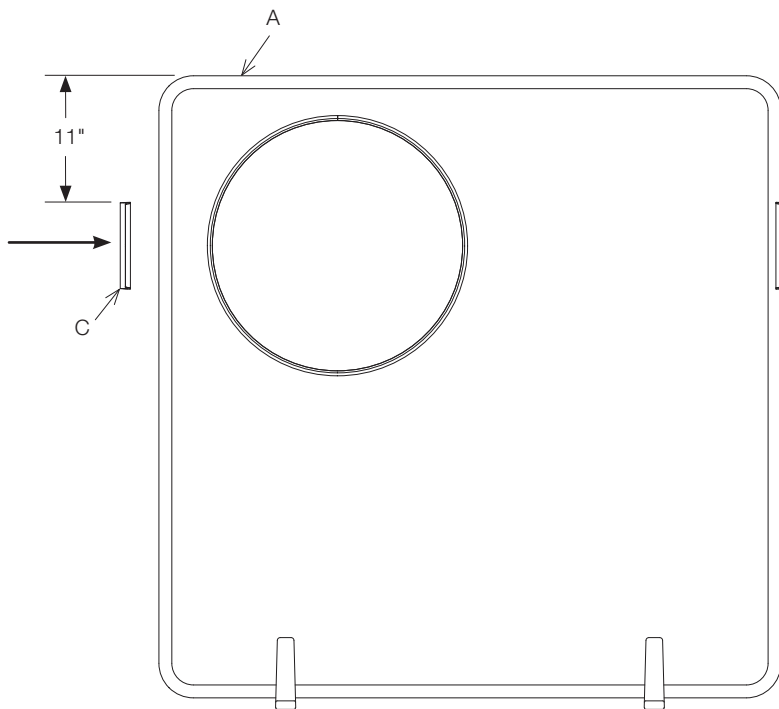


Inlet Screens by Knoll, continued

3. Optional Handles

- 3.1 Align the handle (C) (non-handed) to the edge of the screen (A) 11" from the top. Press handle (C) by hand onto end of screen (A).
- 3.2 Using a dead-blow or rubber mallet, lightly tap handle (C) until fully seated onto screen (A) (friction fit).

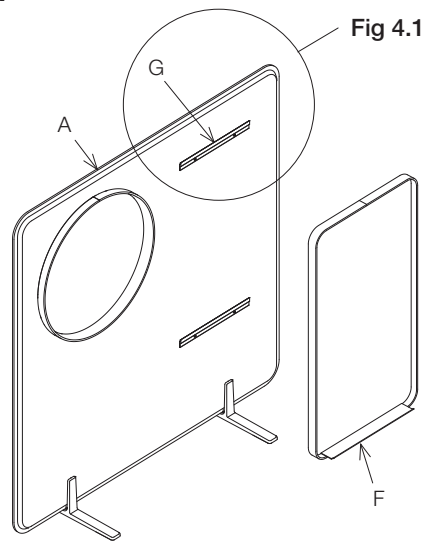
Note: Ensure the mallet face is clean and non-marring as handle finish can be damaged. Use painter's tape, or a soft cloth on handle (B) to avoid marring



Inlet Screens by Knoll, continued

4. Optional Markerboards

4.1. Install pre-drilled cleats with screws (G) onto the centered upper and lower section of screen (A). For screens (A) with portholes (shown), cleats must be centered from edge of screen to edge of window. Both scenarios have +/- 1/2" allowance on cleat centering. A constant dimension from edge of cleat to edge of screen cannot be used as distance varies depending on screen size and/or porthole. Markerboards (F) come with mating pre-installed cleats on the back. Slide markerboard (F) onto cleated screen (A).



Left Hand Window with Right Hand Markerboard shown

Note: Ensure markerboard (F) is being installed on the correct side of the screen (A) per the pattern number, i.e. left hand window with right hand markerboard, or the reverse.

Upper Cleat Location: All screens:

- Distance from top of screen to top of cleat 6-5/8"

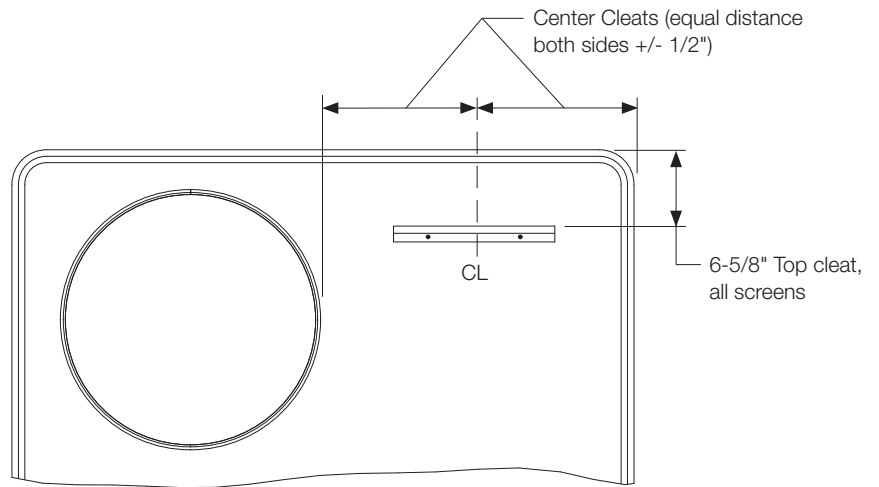


Fig 4.1

Lower Cleat Location:

- 54H x 72W, without window: 26-5/8"
- All other screens: Distance from top of screen to top of cleat 36-5/8"

