

Interpole™



Interpole™, by Antenna Design, is a unique vertical planning approach applicable in open plan, private offices and activity spaces. Based on a floor-to-ceiling H-post, Interpole provides a structure for technology, space definition and storage wherever needed.

Interpole enables five planning applications:

- + **Hub** for community spaces
- + **Display** for video displays in private offices and activity spaces
- + **Conduit** for power and communications supply to open office systems
- + **Screen** between poles to define boundaries and provide a display surface
- + **Storage Wall** for open or enclosed storage in open plan or private offices

Interpole : Hub



Hub for community spaces

Interpole provides convenient power access for informal activity spaces at lounge height, table height or standing height.

Poles and covers

Interpole starts with a 12'3" tall H-shape pole and full height snap on covers that enclose two separate channels for power components and communications cables.

The pole can be cut onsite to fit any flat ceiling condition but must be secured with bolts to floor and ceiling deck or structural beam. A ceiling tile trim kit is available to enable the pole to pass through suspended ceiling systems. For floor to ceiling conditions taller than 12'3" a 47" extension pole kit with covers is available.

Interpole can be specified with four outlet openings on one or both sides, in three configurations:

- + **Low** range: outlets centered at 12, 18, 24, 30" above bottom of covers (beginning 1½" above floor).
- + **Medium** range: outlets centered at 12, 18, 36 and 42" above the bottom of the covers.
- + **High** range: outlets centered at 12, 18, 60 and 66" above the bottom of the covers.

Interpole can also be specified without outlet openings in covers, and additional 6" or 12" cover segments with one or two openings can be positioned anywhere on the pole.

Interpole power components

Interpole power components are a unique 4-wire modular system that distributes two circuits from a junction box in the floor or ceiling, to duplex outlets that attach individually to the inside of the pole. Each duplex outlet taps into only one of the two circuits. Snap-in connectors link outlets 6", 18", 30" or 42" on center. Power infeeds are available in 6', 8', 10' or 15' lengths with a pigtail to join between nearest duplex outlet and the building power supply.

Outlet openings are industry standard decora-size so they can be filled with data or communications outlets from most providers, or by a blank filler plate. Pole covers can also be drilled onsite to enable direct cable supply to a video display or other electronics.

Accessories

Interpole accessories engage continuous slots on either side of pole, independently of power channels. Accessories include 12" square cantilevered shelf and 30" diameter counter surface in two halves that fit around the pole at any height. Coat and bag hooks, cable clips, gadget box and monitor mounts are also available.

Interpole : Display



Display for private offices, assembly and community spaces

Interpole with Sapper monitor arm or sleeve mount supports flexible video displays at any height for informal activity spaces and lounge areas, next to table desks in private offices, or high enough for viewing in training spaces or community areas.

Display in private offices

Interpole provides both power outlets and video display mount on pole next to table desk. The Sapper monitor arm offers the opportunity to adjust the viewing distance and angle of the display to shift from individual computer use to shared viewing. Additional accessories enable CPU to mount to the pole, and manage cables between computer and display.

Outlets positioned at medium range serve both table height convenience as well as powering the display and the CPU. Data and communications can be terminated in an industry standard faceplate in a 6" outlet cover segment above the power outlets, or in a separate channel on the other side of the pole.

Display in activity spaces

Sapper monitor support with sleeve mount centers the display close to the pole and permits over 270 degrees of swivel for the perfect viewing angle. Display and outlets can be positioned above table height for enclaves or training rooms, or lower for informal lounge settings. Cantilevered shelf or gadget box can be a useful accessory for small electronic components such as remotes or Wi-Fi devices.

Display in community spaces

For standing height viewing in community spaces such as cafeterias, corridors or reception areas, displays and outlets can be positioned higher on the pole.

For this application, video cables may be fed directly through a hole drilled in the channel covers or cover may be ordered with a mousehole at one end, which can be positioned at the right height and cover cut onsite to fill the space below the mousehole.

Interpole : Conduit



Conduit for unlimited supply to desk and panel systems

Interpole can serve as an empty power pole to manage power and communications from the ceiling to open plan desk or panel systems. Two open side channels in the H-post with snap-on covers separate power supply from sensitive data cables. Ceiling infeeds and cables can emerge at the bottom of the pole or at any height for direct connection to panel bases or desk height distribution.

Conduit to Antenna desks or big tables

Antenna ceiling infeeds are available in 12' or 20' lengths, in 2+2 eight-wire, four circuit or 3+3 ten-wire, six circuit configurations. A pigtail connection is joined to the building power supply in the ceiling and enters the top of the pole and can exit at the same height as Antenna power system, approximately 24" above the floor. Pole covers can be cut onsite to position a mousehole exit for the power cable, and the cutoff can be positioned below the mousehole opening for a finished appearance.

Capacity for data and communications cables is limited by the diameter of the ceiling infeed power cable, approximately 1½ square inch section.

A bundle of data cables up to 2¾ square inches in section can be managed through the other channel for separate supply of communications services to the Antenna cable trays. Covers can simply be cut straight across above and below the cable exit point and trimmed with a protective plastic edge liner.

Conduit to Dividends Horizon, AutoStrada or other systems panels

Ceiling infeeds for panel systems can also be managed through an Interpole positioned at the end of a panel run or adjacent to a panel base outlet position. Cables can emerge at the bottom of the pole and covers trimmed to fit above whatever bend radius is required.

Conduit to Antenna fence or AutoStrada spine

Interpole should be positioned with the 3½" face at the end of Fence or spine for ceiling infeeds. Power and data cables can exit at the bottom of the pole and into the underside of the Fence or spine end cover.

Conduit and Hub combination

Interpole also offers the opportunity to run a multi-circuit ceiling infeed on one side of the pole to supply systems furniture, while providing separate modular power hub in the other channel for adjacent activity spaces.

For this application the 2½" face of the pole with the systems power infeed is positioned at the end of the panel run so that the other channel is accessible for Interpole outlets serving the activity space.

Interpole : Screen



Screen to define boundaries of team meeting and community spaces

Interpole screens mount between the slots of power poles to form multi-functional boundaries of activity spaces. Screens are available in translucent or opaque whiteboard glass, laminate whiteboard or combination laminate and tackable fabric surfaces. All have a perimeter frame available in natural anodized aluminum or bright white painted surface.

Poles supporting screens can be specified without covers for an I-beam appearance, with full covers, or with outlets. Because the screens engage the side slots normally used for Sapper mounts, alternative channel mounts are required for video displays on a pole between screens.

Screens are available in three heights—31½", 48" and 64½"—and five six-inch increments of width from 36" to 60". Screens can be installed at any starting height from 5" to 24" or more to establish boundaries of any overall horizon.

Optional bottom tray holds dry-erase markers, pushpins or display boards in a 1" deep channel on either side of the screen surface. Cup accessory can be attached to the outside of a pole at the end of a whiteboard screen to hold markers or eraser cloth.

Interpole : Storage Wall



Storage wall to support open plan and enclosed work areas

Interpole storage between poles serves as a spine for open plan workstations or as a storage wall in enclosed work areas. Storage components may be combined with partial height screens offering whiteboard or tackable surfaces adjacent to desk tops. All storage components are available in laminate or wood surface on wood core.

Horizontal storage

Interpole horizontal storage components include open shelves with bookends, dual access shelves with center partition, single sided and shared open shelves with back and cabinets with sliding doors. All are reinforced by a 1/2"-high channel spanning between poles and discreet side mount cleats for secure installation.

Horizontal storage components are available in seven widths from 36" to 72" wide, 15" high and 15⁵/₈" deep in laminate or veneer surface case or doors.

Vertical storage

Interpole vertical storage cabinets mount to one side of a pole, with shelves or coat hook, with or without a hinged door. Vertical storage cabinets are 64¹/₂" high, 15" wide and 15⁵/₈" deep in laminate or veneer surface case or doors.

Gadget box also mounts to one side of a pole to contain small electronics or personal items. Gadget box is 12" high, 9" wide and 10¹/₂" deep.

Fabric inserts

Horizontal and vertical storage cabinets feature a recessed back enabling an optional tackable fabric insert, available with most standard systems textiles.

Storage wall in enclosed work areas

Interpole enables support for storage independent of building walls or demountable wall systems. Storage walls can also subdivide a large enclosed space into smaller "zones" for individual and group work. In an enclosed space, four horizontal components starting 10" above the floor and with 1¹/₂" space between create an overall horizon of about 75".

Storage spine in open plan

In open plan, Interpole can establish a sense of architectural boundary with freely movable adjacent desks and tables. Interpole shelves and shared access cabinets enable relatively high horizons without cutting off light and views.

Interpole : Materials and Finishes

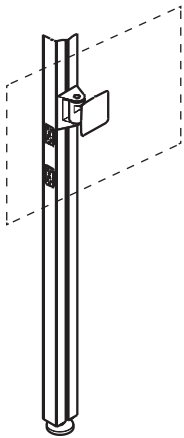
PRODUCT DESCRIPTION	MATERIAL	FINISHES
Poles/Covers	Extruded Aluminum	(AA) Anodized Aluminum (118T) Bright White Paint
Levellers	Steel Threaded Stems with Painted Surface on Molded ABS Caps	Painted Black
Duplex Outlets		(B) Black (W) White
Cantilever Shelf	Solid MDF; Laminate Top and Bottom and Matching ABS Edge, Veneer All Sides	(L) Knoll Core Laminate (V) Knoll Core Veneer
Cantilever Support Bracket	Painted Steel	Knoll Core Paint Finish, Dark Red or Slate Blue
Ceiling Tile Trim Kit	Painted Steel	(613) Silver Paint (118T) Bright White Paint
Cup	Aluminum	(111) Jet Black (115) Medium Grey (118) Bright White (130) Dark Red (131) Slate Blue
Coat Hook	Aluminum	(111) Jet Black (115) Medium Grey (118) Bright White (130) Dark Red (131) Slate Blue
Bag Hook	Aluminum	(111) Jet Black (115) Medium Grey (118) Bright White (130) Dark Red (131) Slate Blue
Screens	3/8" Laminated Glass 3/4" Whiteboard Laminate Two Sides Whiteboard Laminate One Side, Tackable Fabric Opposite Side	Laminated Opaque Glass Laminated Translucent Glass Whiteboard Laminate Whiteboard Laminate Approved Fabric
Screen Frame	Aluminum	(AA) Anodized Aluminum (118T) Bright White Paint
Storage Exterior	Wood Case Construction	(L) Knoll Core Solid Color Laminates (V) Knoll Core Veneers
Storage Interior	Wood Case Construction	(L) Knoll Core Solid Color Laminates and Accent Laminates (V) Knoll Core Veneers

Interpole : Pricing Examples



Interpole Hub: 12' pole with four duplex outlets one side (above and below desk height)

QTY	PATTERN	DESCRIPTION	FINISH	UNIT LIST	EXTENDED
1	IPSCNM144 AA	Interpole, 4 outlets one side, medium range	Anodized aluminum	2415	2415
2	IPRD1 B	Duplex outlet, circuit 1	Black	138	276
2	IPRD2 B	Duplex outlet, circuit 2	Black	138	276
2	IPRC6	Connector, 6" oc		24	48
1	IPRC18	Connector 18" oc		107	107
1	IPRCF96	Power infeed, 96"		225	225
		Total Interpole			3347



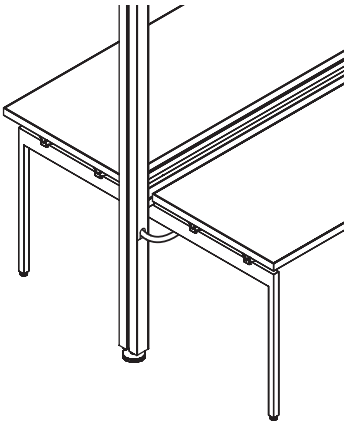
Interpole Display: 12' pole with two duplex outlets one side (above desk height)

QTY	PATTERN	DESCRIPTION	FINISH	UNIT LIST	EXTENDED
1	IPSCNN144 AA	Interpole with covers, no outlets	Anodized aluminum	2175	2175
1	IPOC12 AA	Cover with outlets, 12"	Anodized aluminum	211	211
2	IPRD1 B	Duplex outlet, circuit 1	Black	138	276
1	IPRC6	Connector, 6" oc		24	24
1	IPRCF96	Power infeed, 96"		225	225
		Total Interpole			2911

Interpole Display: Sapper Mount for Monitor

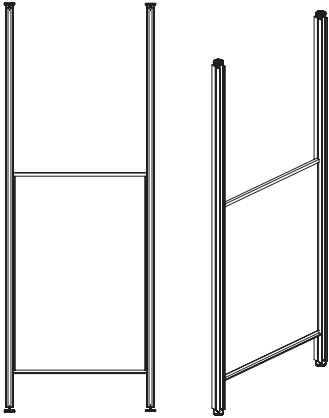
QTY	PATTERN	DESCRIPTION	FINISH	UNIT LIST	EXTENDED
1	SAPMASLPOLESLOTK	Sleeve arm on Interpole	Black (111)	140	140
		Total KnollExtra			140

Interpole : Pricing Examples



Interpole Conduit: 12' pole with ceiling infeed to Antenna desks

QTY	PATTERN	DESCRIPTION	FINISH	UNIT LIST	EXTENDED
1	IPSCNN144 AA	Interpole with covers, no outlets	Anodized aluminum	2175	2175
1	YR1EPIC12	Antenna ceiling infeed, 2+2		408	408
		Total Interpole + Antenna			2583



Interpole Screen: 12' poles without covers with markerboard laminate screen between poles

QTY	PATTERN	DESCRIPTION	FINISH	UNIT LIST	EXTENDED
2	IPSN144	Interpole without covers	Anodized aluminum	1505	3010
1	IPSC6448TLL	Screen with Markerboard Laminate Both Sides and Integral marker tray both side	Laminate/ Anodized aluminum	1410	1410
		Total Interpole			4420