

Antenna Workspaces

Price List
February 2016



Knoll

Introduction	Knoll and Sustainable Design	4	
	Antenna Workspaces and Sustainable Design	5	
	Using the Antenna Workspaces Price List	6	
	Material and Finish Options	7	
	Material and Finish Matrix	8	
	KnollTextiles Approved for Screens and Fabric Inserts	13	
	KnollTextiles and Spinneybeck for Pedestal Cushions	15	
	Grain Direction Planning Guidelines	16	
	Wall Mounting Guidelines for Cabinets	18	
	Antenna Workspaces Concept	20	
	Introduction of Basic Elements	21	
	Fundamental Planning Overview	29	
Preconfigured Desks and Tables	Antenna Leg Base Tables	30	
	Y-base tables	34	
	Media Enclave	37	
Tops	Scope Overview of Antenna Tops	39	
	Planning Guidelines for Antenna Tops	41	
	Antenna Tops For Desks or Big Tables	43	
	Antenna Hinged Access Tops for Big Tables	46	
	Antenna Centered Hinged Access Tops for Big Tables	48	
	Antenna Back Tops for Single Sided Big Tables	50	
	Antenna Extension Tops for Desks and Big Tables	51	
	Antenna Tops for 120° Planning	52	
	Antenna Tops For C-Leg and T-Leg Tables	55	
	Antenna Tops and Worksurface Shelves for Template	57	
	Scope Overview of Overlay Tops	61	
	Planning Guidelines for Overlay Tops	62	
	Overlay Tops for Desks	63	
	Overlay Benching Tops for Desks and Big Tables	66	
	Overlay Hinged Access Tops for Big Tables	68	
	Overlay Extension Tops for Desks and Big Tables	70	
	Desk and Table Support	Planning Guidelines for Desks and Tables	71
		Planning Guidelines for Dual Sided Big Tables	72
		Planning Guidelines for Single Sided Big Tables	73
		Stability Guidelines for Desks, Tables and Big Tables	75
Starter and Extended Rails		78	
Return and Bridge Rails		82	
Desk Connectors		85	
Desk Support Adapters		87	
Components for Reconfigurations		91	
Center Beam for Big Tables		92	
Sapper Monitor Arm for Antenna Center beam		95	
Keyboard Tray and CPU Holder Mounts		96	
Scope Overview of Legs		98	
Legs for Desks or Returns		101	
Legs for Table Desks		105	
Legs for Back to Back Desks		107	
Legs for Dual Sided Big Tables		109	
Legs for Standing Height Dual Sided Big Tables		114	
Legs for Single Sided Big Tables		122	
Legs for C-Leg and T-Leg Tables		128	
Modesty Panels for Desks or Returns		131	
Back Panels for Single Sided Big Tables		134	
End Panels		137	
Enclave End Panels	147		
Sales and Installation Tools	149		

Power and Communications	Planning Guidelines for Electrical Components	151
	Electrical Components for Desks and Big Tables	155
	Surface Mounted Plugmold Raceway	159
	Desktop Outlet Center	161
	Cable Management	163
Fence Components	Planning Guidelines for Fence	168
	Fence Structure	170
	Fence Connectors and Trim	172
	Electrical Components for Fence	175
	Upper Covers	180
	Lower Covers	185
Screens	Full Covers	189
	Desk Screens	193
	Big Table Screens	198
	Intermediate Screens	201
	End Screens for Dual Big Table	204
	Fence Screens	207
	S Screens	210
Storage Components	Floorstanding Desk Screens	212
	Storage Planning Guidelines and Specifications	214
	Scope Overview of Pedestals	215
	Pedestals	216
	Scope Overview of Suspended Storage	226
	Laptop Drawer	228
	Suspended Storage	230
	Extension Cabinets	236
	Scope Overview of Stanchion Mounted Storage	244
	Stanchion Mounted Wood Storage	246
	Stanchion Mounted Metal Storage	252
	Stanchion Mounted Platform	256
	Stanchion Supports	258
	Cantilever Shelves	260
	Scope Overview of Floorstanding Cabinets	262
	Floorstanding Personal Desk-End Cabinets	264
	Floorstanding Shared Desk-End Cabinets	267
	Floorstanding Desk-End Cabinet Accessories	269
	Floorstanding L and Wardrobe Cabinets	270
	Floorstanding File Cabinets	272
	Floorstanding Enclosed Shelf Cabinets	275
	Floorstanding Partially Enclosed Shelf Cabinets	277
	Floorstanding Open Shelf Cabinets	279
Scope Overview of Wall Mounted Cabinets	281	
Wall Mounted Wood Cabinets	282	
Wall Mounted Metal Cabinets	284	
LED Task Lights	286	
Interpole Components	Planning Guidelines for Interpole	288
	Scope Overview of Interpole Poles and Covers	291
	Interpole Poles and Covers	292
	Interpole Power Components	296
	Interpole Accessories	300
	Scope Overview of Interpole Screens	303
	Interpole Screens	304
	Scope Overview of Interpole Mounted Storage	315
	Interpole Horizontal Wood Storage	317
	Interpole Vertical Wood Storage	326
	Antenna Simple Tables	Antenna Simple Tables
Antenna Simple Table Modesty Panels		343
Modesty Panels for Simple Tables		344

Antenna Telescope	Antenna Telescope Tops for Adjustable Dual Tables	346
	Antenna Telescope Return Tops for Dual Tables	347
	Antenna Telescope Dual Table Bases	348
	Antenna Telescope Return Bases	354
	Desk Screens for Telescope Dual Tables	356
	Center Screens for Telescope Dual Tables	358
	Telescope Power and Cable Management	360
	Telescope Accessories	365
Selling Policy		376
KnollKey Lock Program		378
General Ordering Information		379

Knoll and Sustainable Design

Each year Knoll sets key initiatives in our journey to sustainability. We are members of a global consortium on energy, have adopted a scientific, metrics-based approach to sustainable product design, and maintain a leadership position in establishing universal, verifiable, sustainability standards for our industry.

Knoll promotes independent third-party certification because it provides the most impartial and trustworthy foundation for industry-wide environmental compliance. Certification by established and respected third parties ensures that all manufacturers are held to the same high standards and that customers can trust a company's declaration about the environmental benefits of its products. Knoll third-party partners include: the International Standards Organization (ISO); Forest Stewardship Council (FSC®); Rainforest Alliance; GREENGUARD® Environmental Institute; and The Business and Institutional Furniture Manufacturer's Association (BIFMA) level® certification from Scientific Certification Systems (SCS).

In addition, Knoll is aligned with the U.S. Green Building Council and can help companies, healthcare organizations and educational institutions achieve Leadership in Energy and Environmental Design (LEED®) workplace certification.

Global Climate Change

- Knoll is a sponsor of the Clinton Global Initiative, which brings together a community of global leaders to devise and implement solutions to some of the world's most pressing challenges, including environmental change.
- Knoll has a comprehensive Energy Management Program to increase energy efficiency in products and processes.

Life Cycle Assessment (LCA) Tool

- Life Cycle Assessment is a science-based measurement of a product's environmental impacts throughout its life cycle, from raw materials sourcing through manufacture, shipping, use and re-use or end-of-life. LCA enables cradle-to-cradle implementation of sustainable practices.
- Knoll has partnered with The Green Standard.org to develop an affordable, universal ISO-compliant computer-based LCA tool that can be used by the entire contract furniture industry and is partnering on the development of an Environmental Product Declaration System (EPDs) for Knoll products. EPDs are verified documents containing LCA results and additional environmental performance information about a product.

Setting Industry Standards

- Knoll partners with MTS (The Institute for Market Transformation to Sustainability) to develop the SMaRT® Consensus Sustainable Products Standards, a set of consensus-based sustainable product standards based on the LEED® model, for all building products, fabric, apparel, flooring and carpet. MTS, the developer of SMaRT®, is an accredited American National Standards Institute (ANSI) standard developer.
- Knoll also partners with BIFMA (Business and Institutional Furniture Manufacturers Association) to promote level® sustainability standards for the contract furniture industry.
- Knoll has established FSC® (Forest Stewardship Council) certified wood as the standard for general office open plan office systems, casegoods and tables.
- Knoll has launched Full Circle, a resource recovery program developed with ANEW, to help customers extend the life cycle of surplus furniture, fixtures and equipment (FF&E) in an economically, socially and environmentally responsible manner.
- Our goal is to encourage all manufacturers in the contract furniture industry and related industries to adopt standards that will lead to sustainable products and practices.

For more information about Knoll and sustainable design, visit knoll.com/environment.

Antenna Workspaces is a new approach to workplace design that reflects the freedom and mobility people seek in today's office. Antenna Workspaces considers the growing variety of settings where work takes place and blends desks, tables, storage units and screens to create intuitive solutions for individuals and groups. A natural extension of the Knoll commitment to protect the biosphere, conserve natural resources and reduce waste, Antenna Workspaces is environmentally responsible in manufacturing process and materials.

Antenna is Level 3 certified by ANSI/BIFMA, and is GREENGUARD Children and Schools Indoor Air Quality Certified. GREENGUARD certification is recognized by the U.S. Green Building Council's LEED Program. Antenna Workspace can contribute to LEED certification for Existing Buildings, Commercial Interiors and New Construction.

Visit GREENGUARD.org for more information and to find printable certificates for Antenna Workspaces that can be used for verification and LEED submission. Material content for a complete, average Antenna Workspaces workstation is 13.13% post-consumer recycled content, and 47.7% post-industrial recycled content.

Antenna Workspaces environmentally responsible manufacturing processes and materials include:

PVC-free

Laminate top edge band material is PVC-free ABS. Acrylonitrile Butadiene Styrene (ABS) is a polymer used as an alternative to PVC and rubber. It is phthalate-free, flame retardant, has high heat and impact resistance, good processability, dimensional stability and high gloss.

Fiberglass-Free

Fabric screens utilize PET tackable material with 25% pre-consumer recycled content.

FSC-Certified

Wood components are standard FSC certified with North American hardwood veneers.

Recovered Particleboard

Antenna tops and fabric screens have FSC certified, 100% recovered particleboard cores.

VOC-Free Finishes

Water-based wood stains and UVcured polyurethane wood top coats are virtually VOC-free.

VOC-Free Adhesives

Water-based adhesives used to adhere laminate and veneer to substrate are 99% VOC-free.

Recycled Steel

Legs and rails have 30-45% recycled steel content.

Recycled Aluminum

Cradles that connect legs and rails have 44% recycled content cast aluminum.

Recycled Fabric

Screens are available with 100% recycled content fabric.



An Overview

The introduction section of the Price List includes a visual index of product components, an explanation of material, finish and fabric options, grain direction planning guidelines and an introduction to the basic elements and planning guidelines for Antenna Workspaces.

The product portion of the Price List starts with a section of preconfigured desks and tables, orderable by a single pattern number, and continues with an outline of the Antenna Workspaces scope by individual product categories. Products include tops, desk and table support, power and communications, fence components, screens and storage components.

Can't find it? Consult the Table of Contents on page 2 or the Alphanumeric Index at the end of the Price List.

The Knoll selling policy, warranty, KnollKey lock program and general ordering information are also located in the back of the Price List.

Product Information on Each Page

The Antenna Workspaces Price List was designed to provide you with everything you need to know in order to understand, plan and specify Antenna Workspaces. On each page, the following features will assist you:

The ***description*** explains salient features, capabilities, materials and size.

The ***type*** gives helpful planning information either in regard to product applications or quantities of products.

The ***dimensions*** provide nominal width, depth and height of the product.

The ***pattern number*** is the specific code required to order the size and material desired.

The ***ordering information*** outlines exactly how to specify Antenna Workspaces product and the full scope of finish options.

The ***order code*** provides an example of how one pattern number is specified.

The ***included with*** section identifies all other items that will be included with the product.

The ***options section*** lists all finish, material and feature options available on the product.

Use the Following Addresses

If you would like to send a standard lead time order to our order entry department, please use the following address:

For North American orders:

Knoll, Inc.
1235 Water Street
East Greenville, PA 18041
Attn: Order Entry
Tel: 800 343-KNOLL

All accepted orders will be confirmed in writing on the Knoll standard order confirmation form.

Ship-Complete Orders

Orders that must ship complete are to be so stated on the purchase order. Products with different lead times, combined on one order, can be acknowledged for shipment based on the longest of those lead times.

Orders not marked "ship complete" will be released according to the confirmation and invoiced in increments.

For More Information

For more information, contact your Knoll sales representative, a Knoll dealer, or telephone Customer Service at **1-800-343-KNOLL**.

For specific product applications for each finish refer to the finish matrix on the following pages.

KNOLL CORE LAMINATES

Solid Colors

111	Jet Black*
114	Folkstone Grey* (S)
115	Medium Grey*
117	Soft Grey*
118	Bright White* (S)
119	Pumice*
128	Fog*

(S) S Screen finish option

Patterned

121	Micro Grey
122	Brushed Sand
123	Brushed Grey
129	Micro Sand

Brushed Sand (122) and Brushed Grey (123) are not available on laminate screens 60" and wider and on modesty or end panels of any size.

Wood Grain

124	Medium Cherry*
125	Natural Maple*
126	Natural Cherry*
127	Walnut*
139	Light Ash*
140	Warm Ash*
141	Whitened Ash*
142	Grey Ash*
143	Classic Oak*
144	Graphite Pear*
145	Zebra*

*Matching edgeband available

ACCENT LAMINATE

130	Dark Red
131	Slate Blue
132	Olive Green
133	Canary Yellow
134	Knoll Red

Accent Laminates are only available on the interior of laminate storage cabinets.

COLOR CORE LAMINATES

311	Solid Gallery White
312	Solid Folkstone

MARKERBOARD LAMINATE

M	Markerboard
---	-------------

GLASS SCREENS

TEMP	Clear
GL13	Powder
GL35	Grey Tinted

GLASS TOPS

TEMP	Clear
GL13	Powder
GL85	Starfire Clear
GL35	Grey Tinted
GL11	Back Painted Black
GL45	Back Painted White

PLATED FINISH

PD	Chrome
----	--------

ANODIZED FINISH

AA	Anodized Aluminum
----	-------------------

KNOLL CORE PAINTS

111T	Jet Black
112T	Brown
113T	Dark Grey
114T	Folkstone Grey
115T	Medium Grey
116T	Sandstone
117T	Soft Grey
118T	Bright White
611T	Beige Mist Metallic
612T	Medium Metallic Grey
613	Silver

ACCENT PAINTS

130	Dark Red
131	Slate Blue
138	Clear*

*Available on select base components.

COMBINATION LAMINATE

Laminate storage cabinets may be specified with different laminate finishes on the exterior and interior of the case.

KNOLL CORE VENEERS

V1 Techwoods

Y316	Maple Techwood
Y319	Cherry Techwood
Y323	Medium Walnut Techwood
Y326	Dark Mahogany Techwood
Y329	Medium Oak Techwood
Y342	Medium Teak Techwood
Y344	Espresso Techwood
Y811	Natural Techwood
Y821	Blond Maple Techwood
Y831	Light Cherry Techwood
Y851	Black Oak Techwood
Y881	Light Walnut Techwood
Y882	Dove Grey Techwood
Y883	Pangar Wenge

V2 Techwoods

Y841	Ebony Techwood
Y861	Grigio Techwood
Y884	White Pine

V2 Natural Veneers

V312	Bronze Cherry
V316	Maple
V319	Medium Cherry
V411	Light Walnut
V412	Natural Cherry
V413	Sand Oak
V414	Natural Oak
V415	Peacock Green Walnut
V417	Old English Walnut
V421	Chalk Oak
V423	Light Oak
V433	Light Fawn Cherry
V436	Medium Brown Cherry
V439	Straight Anigre
V440	Natural Hemlock

V3 Natural Veneers

V512	Figured Anigre
V514	Makore
V515	Figured Sycamore
V517	Sapele
V518	Natural Chestnut

Overlay tops specified with a veneer top and/or edge are available in any V1, V2 or V3 finish except for the following three veneers:

- Medium Teak (Y342)
- Dark Grey Oak (Y343) *Legacy*
- Dove Grey (Y882)
- Pangar Wenge (Y883)
- Ebony (Y841)
- Grigio (Y861)

Product Description	No Finish Option	Antenna Approved Fabrics	Knoll Core Solid Color Laminates	Knoll Core Patterned Laminates	Knoll Core Wood Grain Laminates	Accent Laminates	Color Core Laminates	Markerboard Laminate	Glass	Plated Finish	Knoll Core Paints	Accent Paints	Knoll Core Veneers
Preconfigured Desks and Big Tables													
Antenna Leg Base Tables													
	Top Finish		*	*	*				*				*
	Edge Finish (Laminate Only)		*		*								*
	Leg/Cradle Finish									*	*	*	
Y-base Tables													
	Top Finish		*	*	*								*
	Edge Finish (Laminate Only)		*		*								*
	Base Finish										*	*	
	Grommet Finish										*	*	
Tops													
Antenna Tops													
	Top Finish		*	*	*								*
	Edge Finish (Laminate Only)		*		*								*
Overlay Tops													
	Top Finish						*						*
	Edge Finish (Laminate Only)												*
Desk and Table Support													
Rails													
											*	*	
Desk Connectors													
											*	*	
Desk Support Adapters													
											*	*	
Components for Reconfigurations													
											*	*	
Center Beam for Big Tables													
											*	*	
KnollExtra Sapper Mounts for Desks and Big Tables													
											*	*	
KnollExtra Keyboard Tray and CPU Holder Mounts													
	*												
End Legs and Intermediate Legs													
											*	*	
Standing Height Intermediate Leg Brace <i>(chrome only)</i>													
									*				
Table Desk End Legs													
	Leg Finish									*	*	*	
	Cradle Finish										*	*	
Modesty, Back Panels and End Panels													
	Surface Finish		*	*							*		*
	Bracket Finish										*		
Power and Communications													
Electrical Components													
	*												
Power Harness Mounting Brackets													
											*	*	
Raceway Covers													
											*	*	
Raceway End Caps													
											*	*	
Desktop Outlet Center													
	*												
Desk Mount Outlet Center Shroud													
											*	*	

Product Description	No Finish Option	Antenna Approved Fabrics	Knoll Core Solid Color Laminates	Knoll Core Patterned Laminates	Knoll Core Wood Grain Laminates	Accent Laminates	Color Core Laminates	Markerboard Laminate	Glass	Plated Finish	Knoll Core Paints	Accent Paints	Knoll Core Veneers
Communications Outlet Mounts											*	*	
Cable Baskets and Mount Kits	*												
Vertical Wire Manager											*		
Cable Clips	*												
Fence Components													
Frames	*												
Individual Legs											*		
Stabilizer Foot											*		
Crown Top Caps											*		
Flat Ends											*		
Connectors											*		
Electrical Components	*										*		
Upper Outlet Covers											*		
Upper Cable Tray Covers											*		
Upper Slatwall Covers											*		
Upper/Lower/Full Painted Covers											*		
Upper/Lower/Full Laminate Covers			*	*									
Upper/Lower/Full Veneer Covers													*
Screens													
Desk Screens													
	Surface Finish	*	*	*				*					*
	Frame Finish Finish (Fabric Only)										*		
	Bracket Paint Finish										*		
Center Screens													
	Surface Finish	*	*	*				*	*				*
	Frame Finish Finish (Fabric Only)										*		
	Bracket Paint Finish										*	*	
Intermediate Screens													
	Surface Finish	*	*	*				*	*				*
	Frame Finish Finish (Fabric Only)										*		
	Bracket Paint Finish										*	*	
End Screens for Big Table													
	Surface Finish		*	*				*					
	Bracket Finish										*	*	
Enclave End Panel													
	Surface Finish		*	*				*					
Fence Screens													
	Surface Finish	*	*	*				*	*				*
	Frame Finish Finish (Fabric Only)										*		
	Bracket Paint Finish										*		

Product Description	No Finish Option	Antenna Approved Fabrics	Knoll Core Solid Color Laminates	Knoll Core Patterned Laminates	Knoll Core Wood Grain Laminates	Accent Laminates	Color Core Laminates	Markerboard Laminate	Glass	Plated Finish	Knoll Core Paints	Accent Paints	Knoll Core Veneers
S Screens (See Material & Finish Options Page for Exceptions)													
	Surface Finish		*										
	Bracket Paint Finish										*		
Floorstanding L Screens													
	Vertical Surface Finish		*	*									*
	Bracket Paint Finish										*		
Storage Components													
Edge Pull										*	*	*	
Insert Pull										*			
Loop Pull											*	*	
Metal Pedestals													
	Drawer Front Finish		*	*	*						*		*
	Case Finish										*		
	Pull Finish									*	*	*	
Seat Cushion		*											
Pencil Tray	*												
Laptop Drawer											*		
Drawer Pad	*												
Cable Net	*												
Suspended Wood File													
	Case Finish Exterior		*										*
	Case Finish Interior		*			*							*
	Door Finish		*										*
	Pull Finish									*	*	*	
	Bracket Paint Finish										*	*	
Suspended Open Cabinets													
	Case Finish Exterior		*										*
	Case Finish Interior		*			*							*
	Bracket Paint Finish										*	*	
Extension Cabinets													
	Case Finish Exterior		*										*
	Case Finish Interior		*			*							*
Fabric Inserts for Extension Cabinets		*											
Mounting Brackets for Extension Cabinets											*	*	

Product Description	No Finish Option	Antenna Approved Fabrics	Knoll Core Solid Color Laminates	Knoll Core Patterned Laminates	Knoll Core Wood Grain Laminates	Accent Laminates	Color Core Laminates	Markerboard Laminate	Glass	Plated Finish	Knoll Core Paints	Accent Paints	Knoll Core Veneers
Stanchion Mounted Open/Enclosed Wood Cabinets													
Case Finish Exterior			*										*
Case Finish Interior			*			*							*
Stanchion Mounted Cabinet Door Sets													
Door Finish			*										*
Pull Finish										*	*	*	
Stanchion Mounted Open Metal Cabinets													
Stanchion Mounted Shared Metal Cabinets													
Case Finish											*		
Door Finish											*		
Pull Finish											*	*	
Platforms													
			*										*
Stanchions													
											*	*	
Cantilever Shelf													
Shelf Finish			*	*									*
Bracket Paint Finish											*	*	
Desk-End Open Cabinets													
Case/Shelves Finish			*										*
Bracket Paint Finish											*		
Desk-End Enclosed Cabinets													
Case/Door Finish			*										*
Pull Finish										*	*	*	
Bracket Paint Finish											*		
Desk-End Cabinet Shelf Set													
			*										*
Floorstanding L Cabinets													
Case/Shelves/Door Finish			*										*
Pull Finish										*	*	*	
File, Enclosed & Partially Enclosed Cabinets													
Case/Shelves/Door Finish			*										*
Pull Finish										*	*	*	
Open Shelf Cabinets													
Case/Shelves Finish			*										*
Shelf Finish			*										*
Wall Mounted Wood Cabinets													
Case Exterior Finish			*										*
Case Interior Finish			*			*							*

Product Description		No Finish Option	Antenna Approved Fabrics	Knoll Core Solid Color Laminates	Knoll Core Patterned Laminates	Knoll Core Woodgrain Laminates	Accent Laminates	Color Core Laminates	Markerboard Laminate	Glass	Plated Finish	Knoll Core Paints	Accent Paints	Knoll Core Veneers	Anodized Aluminum	Knoll Bright White Paint Only	Knoll Silver Paint Only	Black/White
Wall Mounted Wood Cabinet Door Sets																		
	Door Finish			*										*				
	Pull Finish										*	*	*					
LED Task Light		*																
Wall-Mounted Metal Enclosed Cabinets																		
	Case Finish											*						
	Door Finish											*						
	Pull Finish											*	*					
LED Task Light		*																
Interpole																		
Poles																		
	Pole Extrusion														*	*		
	Covers														*	*		
	Leveler Caps	*																
Electrical Components																		
	Power Components	*																
	Duplex Outlets																	*
	Edge Liner	*																
Accessories																		
	Outlet Covers														*	*		
	Cable Clips	*																
	Ceiling Tile Trim Kit															*	*	
	Extension Pole Hardware Kit	*																
	Cantilever Shelf			*										*				
	Shelf Support Bracket										*	*						
	Coat Hook											*	*					
	Bag Hook											*	*					
	Round Platform	*																
	Round Platform L-Bracket										*	*						
Screens																		
	Surface Finish		*						*	*								
	Frame Finish													*	*			
Storage																		
	Case Finish Exterior			*										*				
	Case Finish Interior			*			*											
	Door Finish			*										*				
	Pull Finish										*	*	*					
	Support Bracket Paint Finish										*	*						

KnollTextiles Approved for Screens and Fabric Inserts

Grade 10

Annex (W1360)*
 Beacon (W1597)*
 Broadcloth II (W1619)
 Circuit (W1754)*
 Element (W1077)
 Foundation (W351)
 Growth Spurt (W692)
 Pivot (W1926)
 Skylark (W1718)
 Symbolic Details (W693)
 Tailor Made II (W1610)*
 Twister (W1923)
 Versatility (W432)

Grade 20

Bauhaus Block (W296)
 Circle Line (W1146)
 Clarity (W281)
 Criss Cross (W305)

Delite (K2026)
 Logic (W1318)
 Mainframe (W1783)
 Nematic II (W1620)
 Photon II (W1695)
 Reflect (W884)
 Resolution (W280)
 Weave Three (W298)

Grade 30

Basket Draft (W249)
 Flow (W565)
 Harmony (W232)
 Micro (W465)
 Relay (W1020)

Grade 40

Amplify (W1215)
 Bandwidth (W1219)
 Hourglass (K1523)
 Ornament (W1078)
 Palladium (W1030)
 Spellbound (W1464)

Grade 50

Presto (K1000)

Grade 55

Ransom (K1298)
 Transition (W816)

Note: Fabric is only applied railroaded (RR) for fabric screens wider than 60" wide.

COM (Customer's Own Material)

COM can be applied to Antenna Workspaces product on a select basis. Please consult your Knoll Customer Service Representative for details on the COM approval process and testing requirements. Pricing for COM fabrics is at Grade 10.

Note: Always contact your Customer Service Representative prior to sending any COM (including pre-approved KnollTextiles) to the manufacturing facility.

COM Yardage Requirements for Screens and Fabric Inserts

The total yardage is for both sides of the screen.

*Select colors not available

	Pattern Number	Total Yards Required			
		66" wide COM	54" wide COM	Railroaded 66" wide COM	Railroaded 54" wide COM
DESK MOUNTED SCREENS	YPSB3824F	1.14	1.14	1.48	1.48
	YPSB3827F	1.14	2.28	1.64	1.64
	YPSB3830F	1.14	2.28	1.8	1.8
	YPSB3836F	2.28	2.28	2.14	2.14
	YPSB3842F	2.28	2.28	2.48	2.48
	YPSB3848F	2.28	2.28	2.8	2.8
	YPSB3853F	2.28	3.1	3.1	3.1
	YPSB3854F	2.28	3.14	3.14	3.14
	YPSB3859F	2.28	3.44	3.44	3.44
	YPSB3860F	2.28	3.48	3.48	3.48
	YPSB3865FRR	3.78	3.78	3.78	3.78
	YPSB3866FRR	3.8	3.8	3.8	3.8
	YPSB3872FRR	4.14	4.14	4.14	4.14
	YPSB3224F	0.96	0.96	1.48	1.48
	YPSB3227F	0.96	1.9	1.64	1.64
	YPSB3230F	0.96	1.9	1.8	1.8
	YPSB3236F	1.9	1.9	2.14	2.14
	YPSB3242F	1.9	1.9	2.48	2.48
	YPSB3248F	1.9	1.9	2.8	2.8
	YPSB3253F	3.1	3.1	1.9	0
	YPSB3254F	1.9	3.14	3.14	3.14
	YPSB3259F	1.9	3.44	3.44	3.44
	YPSB3260F	1.9	3.48	3.48	3.48
	YPSB3265FRR	3.78	3.78	3.78	3.78

	Pattern Number	Total Yards Required			
		66" wide COM	54" wide COM	Railroaded 66" wide COM	Railroaded 54" wide COM
DESK MOUNTED SCREENS	YPSB3266FRR	3.8	3.8	3.8	3.8
	YPSB3272FRR	4.14	4.14	4.14	4.14
	YPSB3277FRR	4.44	4.44	4.44	4.44
	YPSB2624F	0.8	0.8	0.74	1.48
	YPSB2627F	0.8	1.58	0.82	1.64
	YPSB2630F	0.8	1.58	0.9	1.8
	YPSB2636F	1.58	1.58	1.08	2.14
	YPSB2642F	1.58	1.58	1.24	2.48
	YPSB2648F	1.58	1.58	1.4	2.8
	YPSB2654F	1.58	3.14	1.58	3.14
	YPSB2660F	1.58	3.48	1.74	3.48
	YPSB2666FRR	1.9	3.8	1.9	3.8
	YPSB2672FRR	2.08	4.14	2.08	4.14
	YPSB2024F	0.62	0.62	0.5	0.74
	YPSB2027F	0.62	1.22	0.56	0.82
	YPSB2030F	0.62	1.22	0.6	0.9
	YPSB2036F	1.22	1.22	0.72	1.08
	YPSB2042F	1.22	1.22	0.84	1.24
	YPSB2048F	1.22	1.22	0.94	1.4
	YPSB2054F	1.22	1.58	1.06	1.58
	YPSB2060F	1.22	1.74	1.16	1.74
	YPSB2066FRR	1.28	1.9	1.28	1.9
YPSB2072FRR	1.38	2.08	1.38	2.08	

	Pattern Number	Total Yards Required			
		66" wide COM	54" wide COM	Railroaded 66" wide COM	Railroaded 54" wide COM
FENCE SCREENS	YPSF2124F	0.66	0.66	0.74	0.74
	YPSF2136F	1.3	1.3	1.08	1.08
	YPSF2148F	1.3	1.3	1.4	1.4
	YPSF2160F	1.3	1.74	1.74	1.74
	YPSF2172FRR	2.08	2.08	2.08	2.08
	YPSF1424F	0.46	0.46	0.38	0.5
	YPSF1436F	0.92	0.92	0.54	0.72
	YPSF1448F	0.92	0.92	0.7	0.94
	YPSF1460F	0.92	1.16	0.88	1.16
	YPSF1472FRR	1.04	1.38	1.04	1.38
	YPSF2424F	0.74	0.74	0.74	0.74
	YPSF2436F	1.48	1.48	1.08	1.08
	YPSF2448F	1.48	1.48	1.4	1.4
	YPSF2460F	1.48	1.74	1.74	1.74
	YPSF2472FRR	2.08	2.08	2.08	2.08
	YPSF1724F	0.56	0.56	0.5	0.74
	YPSF1736F	1.1	1.1	0.72	1.08
	YPSF1748F	1.1	1.1	0.94	1.4
	YPSF1760F	1.1	1.74	1.16	1.74
	YPSF1772FRR	1.38	2.08	1.38	2.08











	Pattern Number	Total Yards Required			
		66" wide COM	54" wide COM	Railroaded 66" wide COM	Railroaded 54" wide COM
BIG TABLE SCREENS	YPSC2124F	0.66	0.66	0.74	0.74
	YPSC2130F	0.66	1.3	0.9	0.9
	YPSC2136F	1.3	1.3	1.08	1.08
	YPSC2142F	1.3	1.3	1.24	1.24
	YPSC2148F	1.3	1.3	1.4	1.4
	YPSC2154F	1.3	1.58	1.58	1.58
	YPSC2160F	1.3	1.74	1.74	1.74
	YPSC2166FRR	1.9	1.9	1.9	1.9
	YPSC2172FRR	2.08	2.08	2.08	2.08
	YPSC1424F	0.46	0.46	0.38	0.5
	YPSC1430F	0.46	0.92	0.46	0.6
	YPSC1436F	0.92	0.92	0.54	0.72
	YPSC1442F	0.92	0.92	0.62	0.82
	YPSC1448F	0.92	0.92	0.7	0.94
	YPSC1454F	0.92	1.06	0.8	1.06
	YPSC1460F	0.92	1.16	0.88	1.16
	YPSC1466FRR	0.96	1.28	0.96	1.28
	YPSC1472FRR	1.04	1.38	1.04	1.38

	Pattern Number	Total Yards Required			
		66" wide COM	54" wide COM	Railroaded 66" wide COM	Railroaded 54" wide COM
INTERMEDIATE SCREENS	YPSI1416F	0.28	0.42	0.28	0.36
	YPSI1418F	0.28	0.42	0.3	0.4
	YPSI1419F	0.28	0.42	0.32	0.42
	YPSI1422F	0.42	0.42	0.36	0.46
	YPSI1424F	0.42	0.42	0.38	0.5
	YPSI1427F	0.42	0.84	0.42	0.56
	YPSI1428F	0.42	0.84	0.44	0.58
	YPSI1430F	0.42	0.84	0.46	0.62
	YPSI1436F	0.84	0.84	0.54	0.72
	YPSI2116F	0.4	0.6	0.36	0.54
	YPSI2118F	0.4	0.6	0.4	0.58
	YPSI2119F	0.4	0.6	0.42	0.62
	YPSI2122F	0.6	0.6	0.46	0.7
	YPSI2124F	0.6	0.6	0.5	0.76
	YPSI2127F	0.6	1.2	0.56	0.84
	YPSI2128F	0.6	1.2	0.58	0.86
	YPSI2130F	0.6	1.2	0.62	0.92
	YPSI2136F	1.2	1.2	0.72	1.08

	Pattern Number	Total Yards Required			
		66" wide COM	54" wide COM	Railroaded 66" wide COM	Railroaded 54" wide COM
FABRIC INSERTS	YSDXFB18	0.15	0.22	0.14	0.18
	YSDXFB24	0.22	0.22	0.18	0.24
	YSDXFB27	0.22	0.43	0.2	0.26
	YSDXFB30	0.22	0.43	0.22	0.29
	YSDXFB3015	0.22	0.43	0.22	0.29
	YSDXFB36	0.43	0.43	0.26	0.35
	YSDXFB53	0.22	0.43	0.2	0.27
	YSDXFB59	0.22	0.43	0.22	0.3
	YSDXFB5915	0.22	0.43	0.22	0.3
	YSDXFB65	0.43	0.43	0.24	0.32
	YSDXFB6515	0.43	0.43	0.24	0.32













	Pattern Number	Total Yards Required			
		66" wide COM	54" wide COM	Railroaded 66" wide COM	Railroaded 54" wide COM
INTERPOLE SCREENS	IPSC6436NLF	1.83	1.83	1.09	n/a
	IPSC6436TLF	1.83	1.83	1.09	n/a
	IPSC6442NLF	1.83	1.83	1.26	n/a
	IPSC6442TLF	1.83	1.83	1.26	n/a
	IPSC6448NLF	1.83	1.83	1.42	n/a
	IPSC6448TLF	1.83	1.83	1.42	n/a
	IPSC6454NLF	1.83	n/a	1.59	n/a
	IPSC6454TLF	1.83	n/a	1.59	n/a
	IPSC6460NLF	1.83	n/a	1.76	n/a
	IPSC6460TLF	1.83	n/a	1.76	n/a

**Knoll Textiles Options
for Mobile Pedestal
Seat Cushions**
Grade A



Alignment 
 Basket Draft
 Beacon
 Bocce 
 Cat's Cradle 
 Chance
 Common Ground 
 Computer Cloth 
 Delite
 Dristi
 Heavy Metal
 Hourglass
 Mariner
 Monarch 
 Prep 
 Presto 
 Reflect
 Soliloquy
 Sonnet 
 Stacks
 Trophy 

Grade B

Abacus 
 Argyle
 Backdrop
 Bank Shot 
 Belize
 Bistro 
 Boundary 
 Cameo
 Chroma 
 Close Knit
 Chronicle 
 Dovetail 
 Ferry
 Forza
 Framework 
 Galla II 
 Grande
 Grandview
 Holbrook
 Journey 
 Keaton
 Knoll Felt 
 Knoll Hopsack 
 Ludlow
 Lyric
 Mini Stitch 
 Night Life

Nonchalant CR
 Paradigm
 Petal Pusher
 Pogo 
 Pop
 Prairie
 Prim 
 Radiance
 Ransom 
 Ricochet 
 Roam
 Rush Hour
 Soiree 
 Spark 
 Spotlight
 Spree 
 Sutton 
 Synth 
 Tabloid
 Utmost
 Venue
 Versa 
 Vinyl
 Wide Angle 
 Westwood
 Zipline 

Grade C

Atlas
 Axiom
 Baxter
 Biota 
 Cairo
 Charm
 Circa
 Classic Boucle 
 Dahlia CR
 Durand
 Earthwork 
 Empire Stripe
 Entourage 
 Fable CR
 Fibra
 Fox Trot CR
 Greenwich
 Hudson
 Kora CR
 Lagos
 Legend CR
 Lore CR
 Magnolia
 Metro
 Milestone

Moto CR
 Palisade
 Panache CR
 Noble
 Pony Up 
 Quark
 Regard CR
 Roundtrip
 Sahara
 Sandpiper CR
 Sequin CR
 Sinclair
 Smart
 Spectator 
 Spot On
 Star Struck
 Stepping Stones
 Swing
 Tight Rope
 Tilden
 Treble CR
 Tower Grid
 Vibe
 Zari CR


Grade D

Cavalier
 Compass CR
 Coterie
 Eclat Weave
 Harrison
 Hologram
 Ikat Stripe
 Masquerade
 Menagerie
 Obi
 Origins
 Theory
 Zoom


Grade E

Cross Stitch 
 Highland
 Ikat Square
 Kampala
 Katazome
 Kimono
 Mamba
 Marquee
 Meroe
 Sherman
 Tryst
 Whip

Grade F

Atelier
 Biscayne
 Century
 Coco
 Cornaro
 Cuddle Cloth
 Glider
 Groove Line
 Icon
 Intrigue
 Jubilee
 Kinship 
 Liberty
 Mod Plaid
 Rivington
 Soon
 Topography
 Totem
 Tweed Frieze

Grade G

Cuddle Stripe
 Djenne
 Gibson
 Haze
 Kinabalu
 Kingston
 Melange
 Rattan
 Serendipity
 Spencer
 Turner
 Utrillo
 Ultrasuede 

Grade H

Arno 
 Haiku

Grade I

Aswan
 Cato
 Dynamic

**Spinneybeck Leather
Options for Mobile
Pedestal Seat Cushions**
Grade U

Volo

Grade V

Andes
 España
 Maremma
 Velluto Pelle

Grade W

Alaska
 Amazon
 Arizona
 Derby
 Sabrina

Grade X

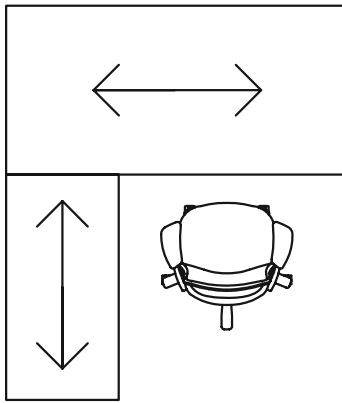
Ducale
 Ducale Velours
 Grade Y
 Cervo
 Copenhagen
 Cordovan
 Distressed
 Marissa
 Prima
 Riva
 Saddle
 Salon

Pedestal cushions are upholstered (from the front to the back of the pedestal) with the fabric direction matching the textile sample.

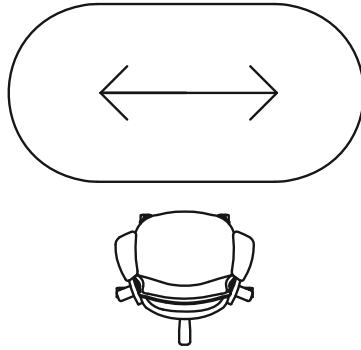
**COM (Customer's
Own Material)**

COM can be applied to Antenna Workspaces product on a select basis. Pricing for COM fabrics is at Grade B.

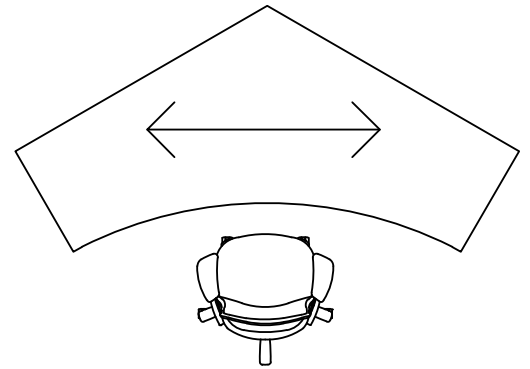
Note: Always contact your Customer Service Representative prior to sending any COM (including pre-approved KnollTextiles) to the manufacturing facility. Yardage requirements assume the fabric is 66" wide. If the COM is less than 66" wide, add 15% to the total yardage. For Customers Own Material (COM) applications, specify 0.75 yards of fabric for 17" deep mobile pedestal seat cushions and 0.90 yards for 23" deep seat cushions.



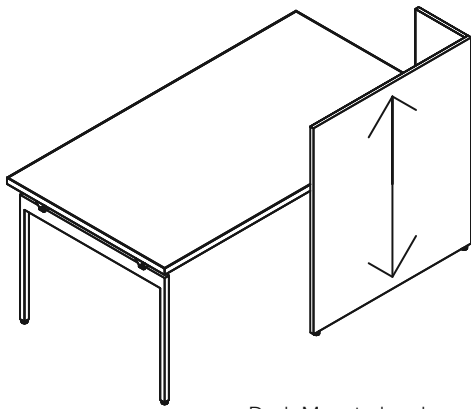
Rectangular Tops



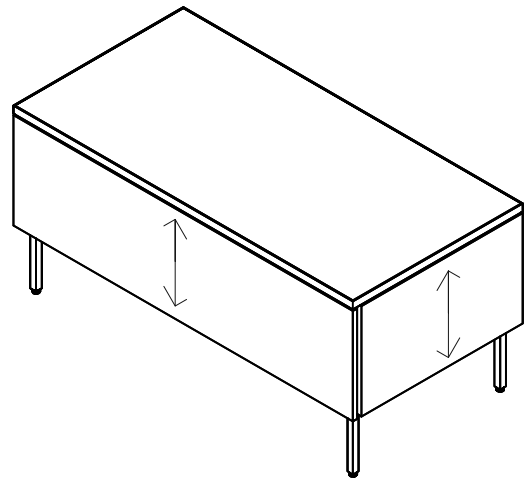
Track Shaped Tables



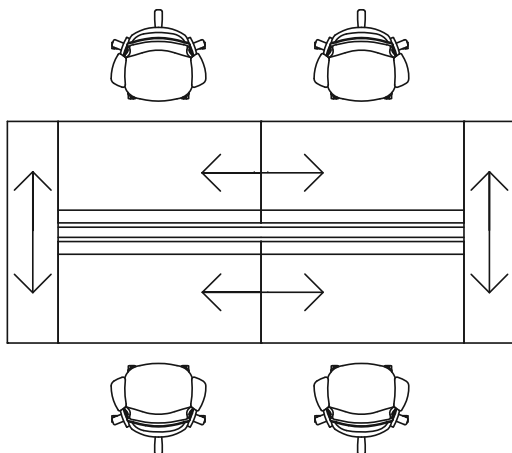
120 Degree Tops



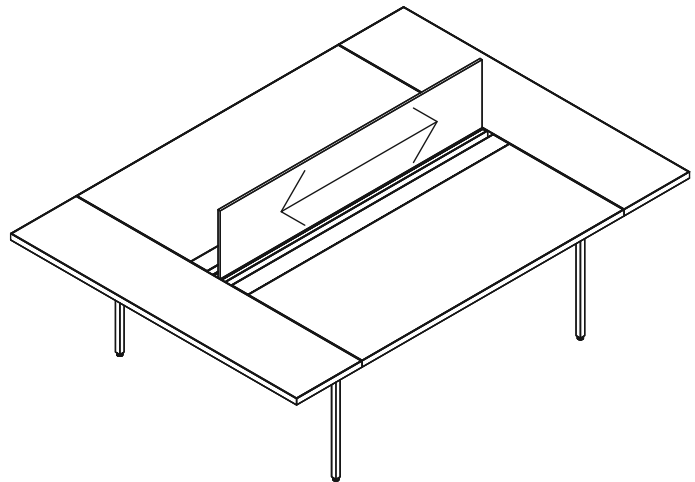
Desk Mounted and Floorstanding Screens



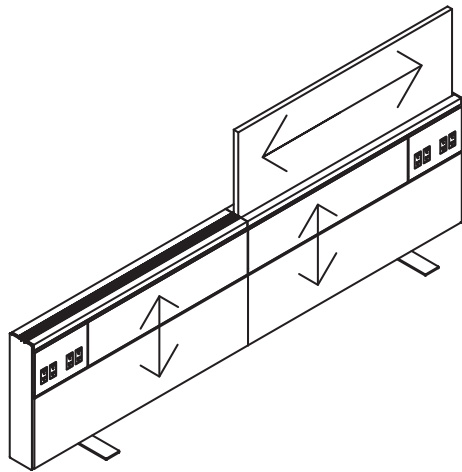
Modesty and End Panels



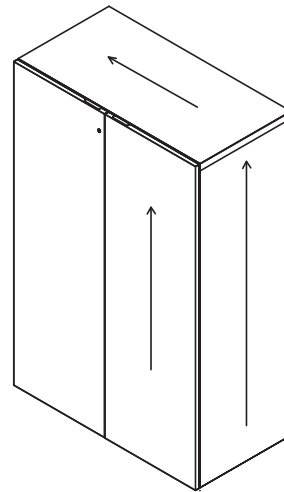
Big Table with Extension Tops or Cabinets



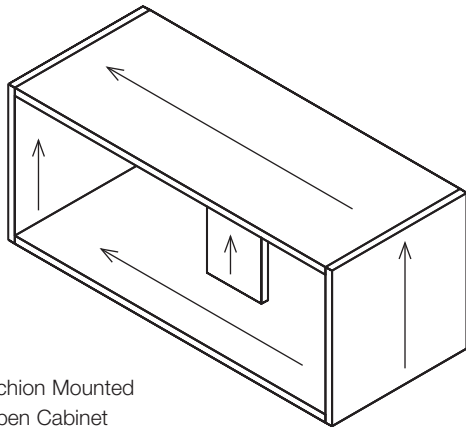
Big Table and Fence Screens



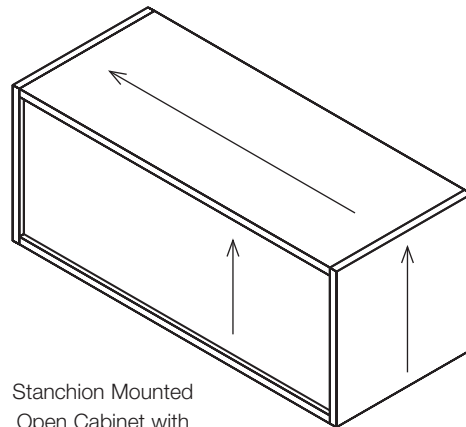
Fence Covers
and Screens



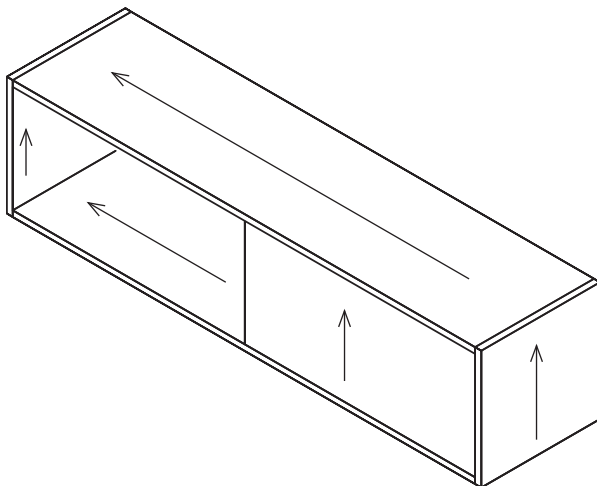
Floorstanding Cabinets



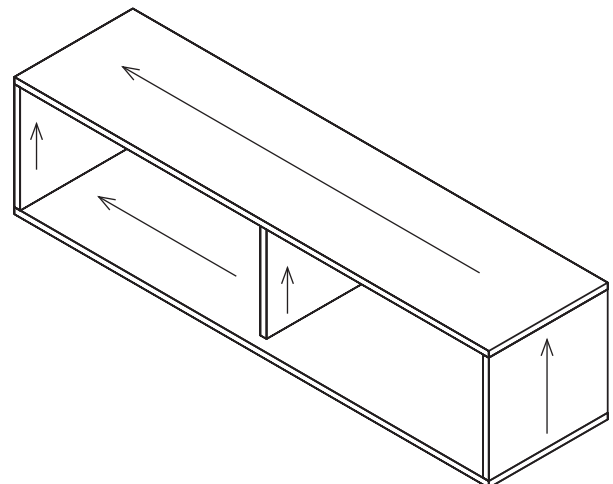
Stanchion Mounted
Open Cabinet



Stanchion Mounted
Open Cabinet with
Open Front with
Enclosed Back



Stanchion Mounted Shared Cabinet



Wall Mount Open Cabinet

Wall Mounting Suggestions

The following information is provided only as a guide, and represents minimum recommendations only. Knoll does not accept responsibility for the attachment of any Knoll product to a Customer's site wall. Wall specification/construction is the responsibility of the Customer and its structural engineer/architect. Failure to properly attach Knoll products to adequate wall structures can lead to property damage and/or personal injury.

You should consult your own structural engineers and/or architects and must not rely on the information provided herein.

It is the responsibility of the Customer and its structural engineers/architects to verify that the permanent structural walls (studs, blocks, solid masonry, etc.) on which the Knoll products are intended to be mounted

are designed appropriately to support the product weight, PLUS 3 lbs. per linear inch for each useable shelf length

NOTE: A cabinet's top is considered a "useable shelf" and MUST be included in the calculation of the total load for an overhead cabinet.

It is the responsibility of the Customer and its structural engineer/architects to specify the fasteners and method for attaching the Knoll supplied wall mounting cleat, bracket, frame, etc. to the supporting wall and to confirm that the installers have adhered to these specifications. For all local building standards and codes, and additional requirements (including, but not limited to, seismic conditions) the Customer should always consult local code agencies.

	EXISTING CONSTRUCTION					
	NEW CONSTRUCTION	Cinder Block or Poured Concrete Masonry Wall	Wood Stud Wall, the studs being FULL HEIGHT to the roof/floor above	Wood Stud Wall, the studs being only Ceiling Height	Steel Stud Wall, the studs being FULL HEIGHT to the roof/floor above	Steel Stud Wall, the studs being only Ceiling Height
Stud Specification	Wood studs, grade #2 or better, 3 1/2" minimum width, OR Metal studs, minimum 25 gage thickness, 3 5/8" minimum width	The wall must be a minimum of 6" thick, and must be full height to the roof/ floor structure above	Wood studs must be Grade #2, or better, 3 1/2" minimum width	Wood studs must be Grade #2, or better, 3 1/2" minimum width	Metal studs must be minimum 25 gage thickness, 3 5/8" minimum width	Metal studs must be minimum 25 gage thickness, 3 5/8" minimum width
Stud Centers	Metal and wood studs must be spaced at 16" c/c maximum	N/A	Wood studs must be spaced at 16" c/c maximum	Wood studs must be spaced at 16" c/c maximum"	Metal studs must be spaced at 16" c/c maximum	Metal studs must be spaced at 16" c/c maximum
Stud Height	Metal and wood studs must extend upwards, and be securely attached to the roof/ floor structure above			Wood studs must be braced above the ceiling, and be securely attached to the roof/floor structure above Affix #2 grade 'cap' across the top of the studs, then place diagonal studs from the top cap up to underside of the roof/ floor structure above		Metal studs must be braced above the ceiling, and be securely attached to the roof/floor structure above Affix metal bracing 'cap' across the top of the studs, then place diagonal studs from the top cap up to underside of the roof / floor structure above
Mounting the Knoll Supplied Cleat, Bracket, Frame, etc*	Insert a 2" X 6" wood block, #2 grade or better, [or a Danback™ flexible wood backing system] horizontally between each of the studs to accommodate the full width of the cabinet, and beyond to the next stud. Fasten the wood block to each stud using three screws at the ends of each block. (Fasten the Danback™ as directed by the manufacturer) Fasten the Knoll supplied wall mounting cleat, bracket, frame, etc directly to each wood block every 6" For wall mounting structures that have a rectangular frame-like configuration: fasten the top horizontal element of the frame to the wood blocking every 6", and fasten the lower horizontal element to each wall stud, using one fastener per stud.	Fasten the Knoll supplied cabinet wall mounting cleat, bracket, frame, etc. directly to the masonry wall every 6" For wall mounting structures that have a rectangular frame-like configuration: fasten the top horizontal element of the frame to the wall every 6", and fasten the lower horizontal element to the wall every 16"	In the desired location of the cabinet mounting rail, remove an 8" high section of drywall the width of the cabinet, and beyond to the next stud. Insert a 2" X 6" wood block, #2 grade or better, horizontally between each of the exposed studs. Fasten the wood block to each stud using three screws at the ends of each block. Replace the drywall and repair as desired. Fasten the Knoll supplied wall mounting cleat, rail, frame, etc directly to the wood block every 6" For wall mounting structures that have a rectangular frame-like configuration: fasten the top horizontal element of the frame to the wood blocking every 6", and fasten the lower horizontal element to each wall stud, using one fastener per stud.	In the desired location of the cabinet mounting rail, remove an 8" high section of drywall the width of the cabinet, and beyond to the next stud. Insert a 2" X 6" wood block, #2 grade or better, horizontally between each of the exposed studs. Fasten the wood block to each stud using three screws at the ends of each block. Replace the drywall and repair as desired. Fasten the Knoll supplied wall mounting cleat, rail, frame, etc directly to the wood block every 6" For wall mounting structures that have a rectangular frame-like configuration: fasten the top horizontal element of the frame to the wood blocking every 6", and fasten the lower horizontal element to each wall stud, using one fastener per stud.	In the desired location of the cabinet mounting rail, remove an 8" high section of drywall the width of the cabinet, and beyond to the next stud. Insert a 2" X 6" wood block, #2 grade or better, [or a Danback™ flexible wood backing system] horizontally between each of the exposed studs. Fasten the wood block to each stud using three screws at the ends of each block. Replace the drywall and repair as desired. Fasten the Knoll supplied wall mounting cleat, rail, frame, etc directly to the wood block every 6" For wall mounting structures that have a rectangular frame-like configuration: fasten the top horizontal element of the frame to the wood blocking every 6", and fasten the lower horizontal element to each wall stud, using one fastener per stud.	In the desired location of the cabinet mounting rail, remove an 8" high section of drywall the width of the cabinet, and beyond to the next stud. Insert a 2" X 6" wood block, #2 grade or better, [or a Danback™ flexible wood backing system] horizontally between each of the exposed studs. Fasten the wood block to each stud using three screws at the ends of each block. Replace the drywall and repair as desired. Fasten the Knoll supplied wall mounting cleat, rail, frame, etc directly to the wood block every 6" For wall mounting structures that have a rectangular frame-like configuration: fasten the top horizontal element of the frame to the wood blocking every 6", and fasten the lower horizontal element to each wall stud, using one fastener per stud.
*Graham Wall Hung Shelf	The Graham Wall Hung Shelf Bracket (and others like it) requires full support behind the full height of the bracket This should be accomplished by insertion of additional 2"X 6" wood blocking between the studs as defined above	Fasten the Knoll supplied wall mounting brackets directly to the masonry wall, using the holes provided in each bracket	The Graham Wall Hung Shelf Bracket (and others like it) requires full support behind the full height of the bracket This should be accomplished by insertion of additional 2"X 6" wood blocking between the studs as defined above	The Graham Wall Hung Shelf Bracket (and others like it) requires full support behind the full height of the bracket This should be accomplished by insertion of additional 2"X 6" wood blocking between the studs as defined above	The Graham Wall Hung Shelf Bracket (and others like it) requires full support behind the full height of the bracket This should be accomplished by insertion of additional 2"X 6" wood blocking between the studs as defined above	The Graham Wall Hung Shelf Bracket (and others like it) requires full support behind the full height of the bracket This should be accomplished by insertion of additional 2"X 6" wood blocking between the studs as defined above
Fasten the Knoll supplied wall cleat with...	#10 x 2 1/2" Grabber Woodys Screws or equiv. @ 6" c/c, screwed directly into the wood blocking	3/16" x 3 1/2" Tapcon Masonry Screws or equiv. @ 6" c/c with 1-1/4" embedment, screwed directly into the masonry wall	#10 x 2 1/2" Grabber Woodys Screws or equiv. @ 6" c/c, screwed directly into the wood blocking	#10 x 2 1/2" Grabber Woodys Screws or equiv. @ 6" c/c, screwed directly into the wood blocking	#10 x 2 1/2" Grabber Woodys Screws or equiv. @ 6" c/c, screwed directly into the wood blocking	#10 x 2 1/2" Grabber Woodys Screws or equiv. @ 6" c/c, screwed directly into the wood blocking

Simple. Open. Adaptable.

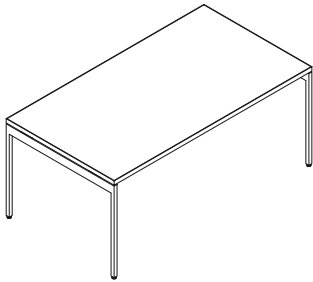
Antenna Workspaces, the integrated solution to the office, supports every mode of work—focused, shared and team—and facilitates the transitions between them. Knoll research confirms that the most progressive organizations seek innovation and increased productivity through collaboration: mentoring, teamwork and “unplanned” interaction. The challenge is to create an environment that complements individual, focused work settings with those that support collaborative work and informal, social interaction.

Antenna Workspaces comprises a range of solutions that integrate all these modes of work:

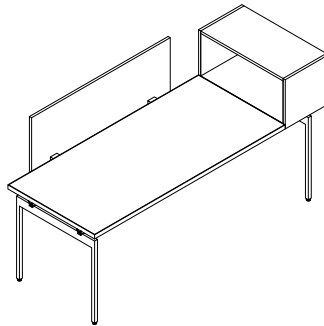
- **Focus** is an individual work mode that supports concentration with minimal interruptions.
- **Share** is a collaborative work mode that can occur in individual or group spaces and centers on the casual exchange of ideas.
- **Team** is a group work mode that occurs in a range of meeting spaces, both formal and informal.

Basic Elements

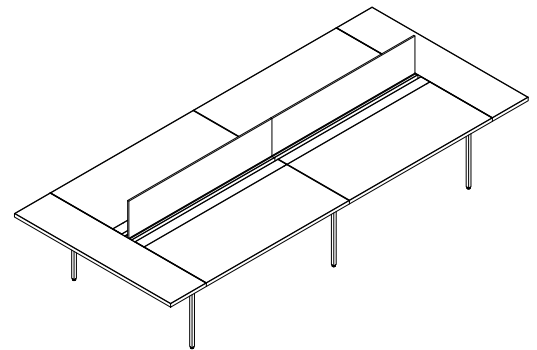
The fundamental elements of Antenna are Tables, Desks and Big Tables, fully integrated Fence spine, power components, Template Storage System, Screens and complementary Antenna storage components. To simplify planning and specifications, desks, tables, big table and fence are orderable as complete kits or as components.



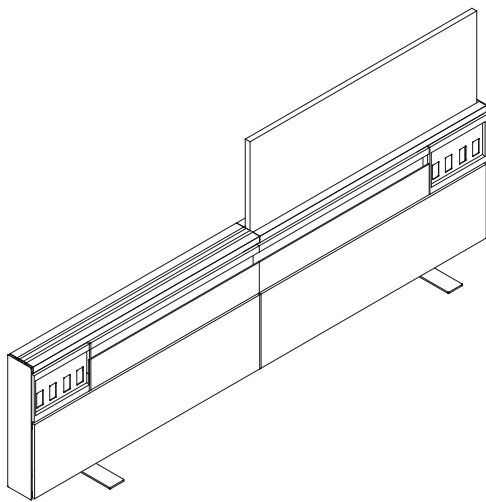
Table



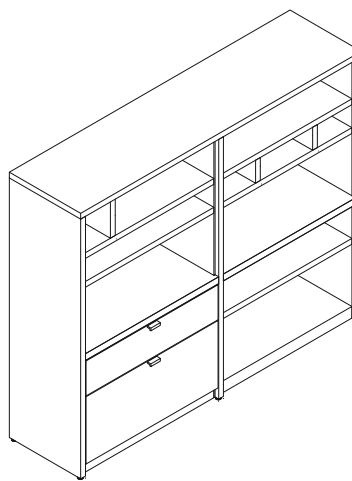
Desk



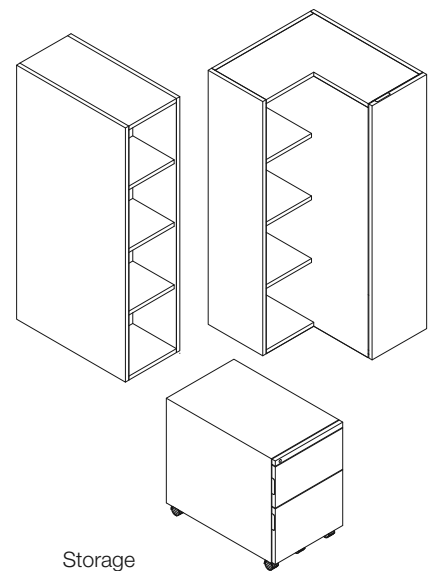
Big Table



Antenna Fence



Antenna Components for the Template Storage System



Storage

Tables and Desks

Antenna begins with a simple structure—the Table—that is inherently collaborative. The top rests on a base composed of two steel end legs and two tubular rails that span across or between them, linked by cast aluminum cradles. The result is an extraordinarily strong table that can support tops up to 4' x 8'.

Antenna tops are laminate with a 2.8mm abs or veneer with veneer edge with a comfortable radius top and bottom edge with crisp corners. Also available are distinctive overlay tops featuring full overlay top veneer or solid core laminate with a veneer edge and larger radiused corners and underside edges.

The table is transformed into a Desk with the addition of storage, screens or power components that make one side the primary user edge. Desks can be linked end-to-end sharing a leg, or back to back with dual legs. A perpendicular return desk can be attached at any point to form L-shape or U-shape desk arrangements.

Desk top dimensions are 36"-96" wide, in 6" increments, and primary depths are 24", 27", 30" and 36"D. Desk supports and a full range of tops are also available in 18", 42" and 48" depths for returns and meeting tables.

The continuous support rails enable suspended storage or can be extended beyond the primary desk top to support desk extension cabinets or contrasting extension tops. Modular power components and cable baskets can be mounted to the rail to distribute power and communications between linked desks. Screens attach directly to the top anywhere along the back or end of a desk to provide partial modesty and enclosure above the top to either 42" or 49" horizons. A continuous 1 1/4" cord drop between the inside of a screen and the edge of the top facilitates wire management and enables clamp on monitor arms or a convenient desktop power/communications outlet module at any point.

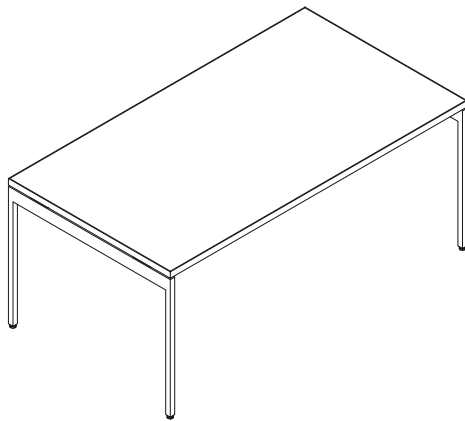
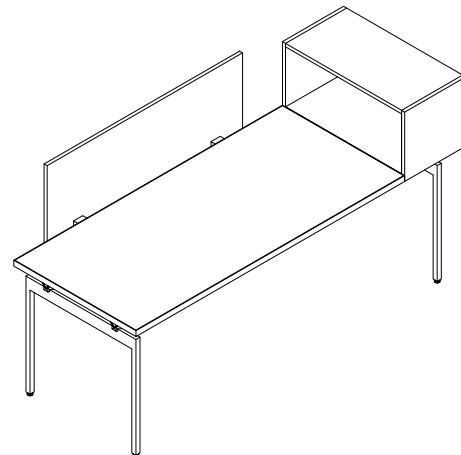


Table Desk



Desk with Extension Cabinet and Screen

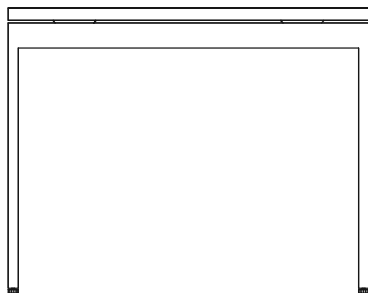
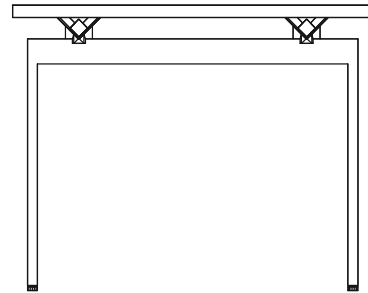


Table Desk End Elevation



Desk End Elevation

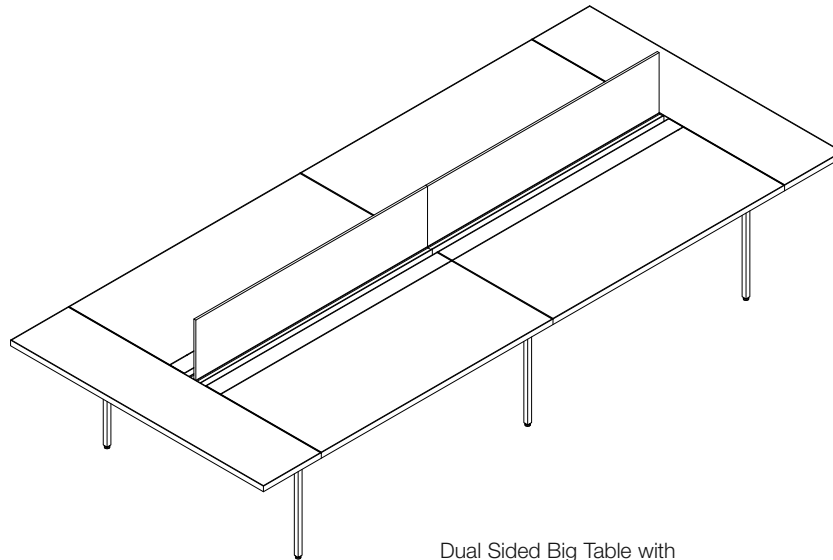
The Big Table

Back-to-back desk tops with shared legs can be linked to form the Big Table: a collaborative work setting that supports groups of any size. The centerpiece of the big table is the center beam that spans across legs with a cord drop on either side. The center beam enables upmounted screens, platforms and storage, suspended power components,

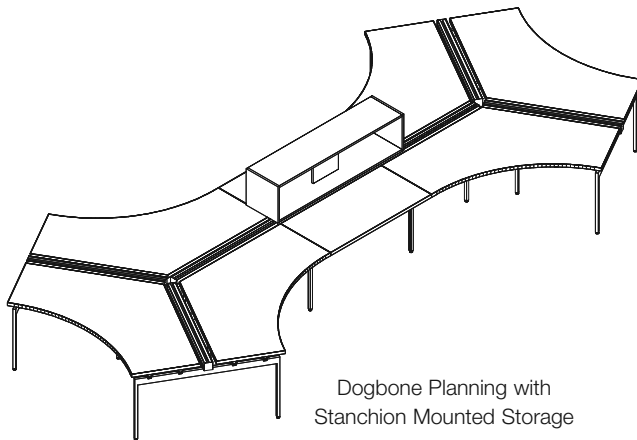
and independent support of cantilevered shelves and monitor arms on either side. Because the rail structure is the same as that of desks, returns can be attached to the big table at any point. As with desks, extended rails at the end positions of a big table support extension tops or storage cabinets above or below the big table tops.

Single sided big tables are also available for increased big table planning flexibility. Single sided big tables provide the intelligence of the center beam in a shallower depth big table

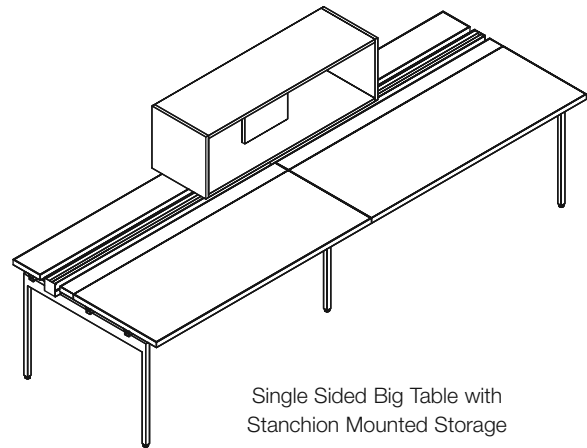
Big table tops are 18", 24", 27", 30" or 36" deep and in widths from 48"-84". Antenna and Overlay tops for the big table are available with a 3 ¾" continuous hinged surface at the back for easier access to power and communications outlets. In addition, Overlay tops can be ordered as "benching" tops with crisp corners for a continuous front edge where adjacent tops meet.



Dual Sided Big Table with Extension Tops and Screens



Dogbone Planning with Stanchion Mounted Storage



Single Sided Big Table with Stanchion Mounted Storage

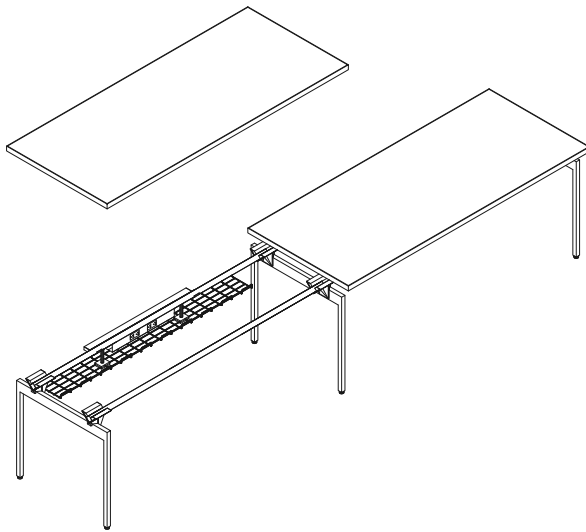
Power Distribution in Antenna Workspaces

Throughout linked desks, big table or fence planning, Antenna modular power systems can be specified to distribute four or six circuits of power from a single point of supply. The system consists of a power harness that accepts preconfigured duplex outlets on any circuit as well as up to four jumper cables to link power to another harness. Modular or hardwire infeeds to satisfy national and local electrical codes also connect into the power harness.

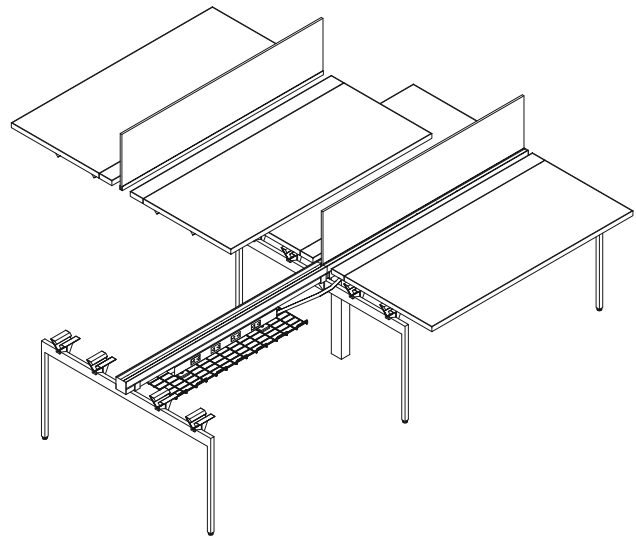
For desks, a power harness and mounting bracket are suspended from a desk rail. Two power harness options are available, one accepting up to two snap-in duplex outlets on each face and the other up to four duplex outlets on each face. Separate covers enclose the harness. Power harness mounting bracket can also accept a data/communications box adjacent to the power harness. Jumpers connect from one harness to the next in linked configurations, and can branch to support power under returns or back-to-back desks.

For big tables, the same power harnesses and jumpers are suspended directly from the center beam.

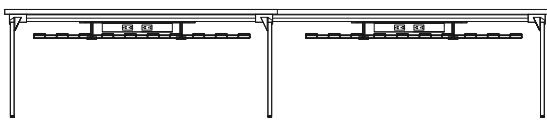
Power infeeds in desks and big tables can be managed vertically in a channel attached to the power harness adapter bracket or center beam.



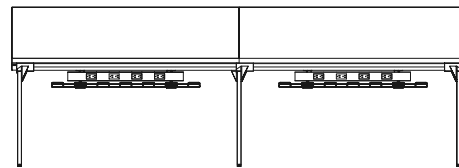
Desk with Electrical Components



Big Table with Electrical Components



Elevation of Desk Electrical Components



Elevation of Big Table Electrical Components

Fence

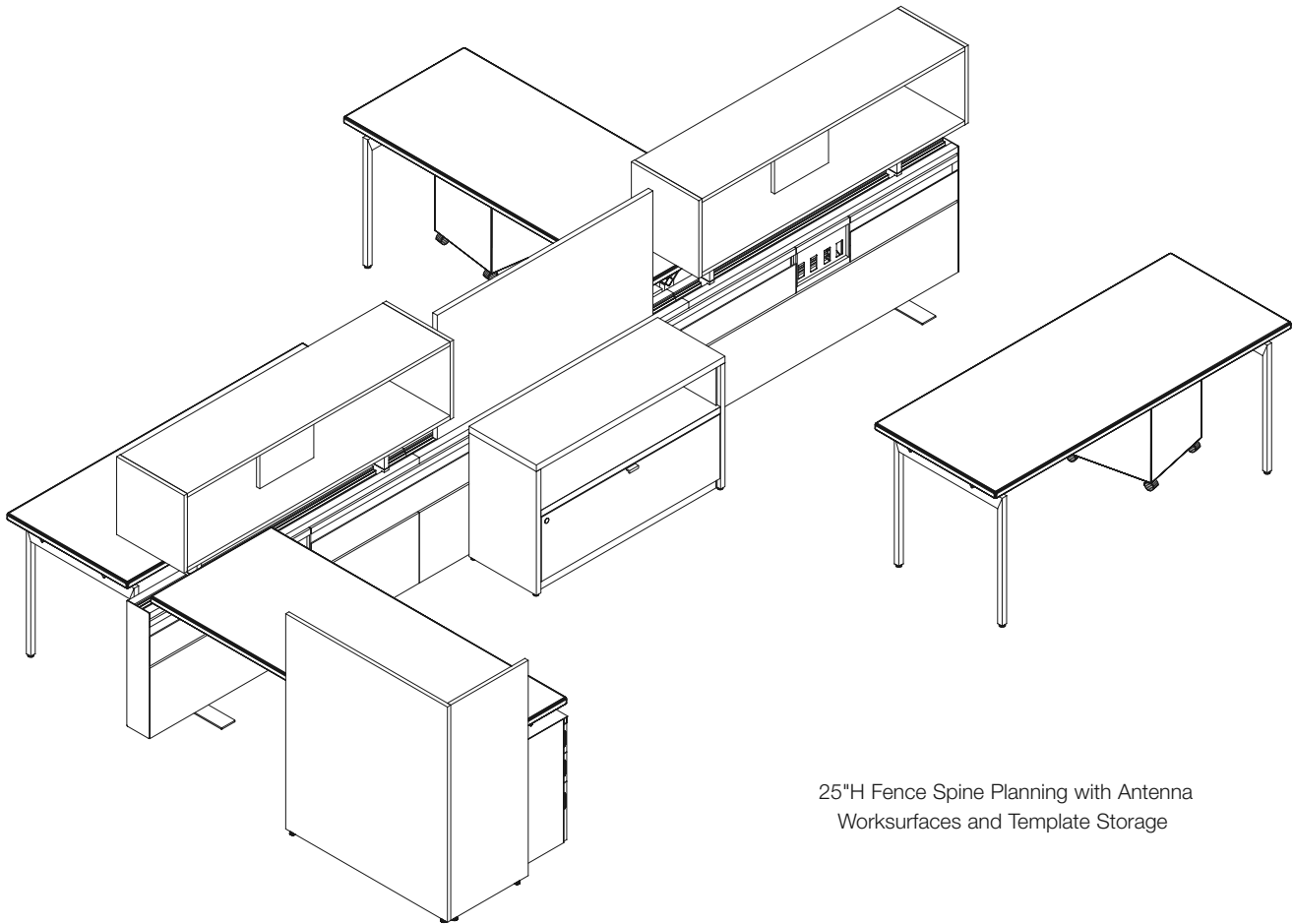
Fence is a compact spine that can be a freestanding housing for power and communications distribution and convenient outlets at the center of a cluster of desks or tables. Fence enables tables and desk arrangements to be moved independently of the service spine, or can be used to support one end of a desk.

Fence can be configured at desk top height or at 25" height to align with desk legs or enable the desk structure to span over the spine.

At either horizon, fence can also support screens or upmounted storage components including platforms, open or enclosed, single sided or shared cabinets.

Services can be supplied to the underside of fence and outlets for power and communications can be positioned at any point. The internal frame structure enables continuous lay-in cable distribution on either side, and unique cable tray covers support easy access cable management on the exterior surface. Other surface options for fence include integral slatwall and painted, laminate or wood covers.

For fence an outlet module mounts to either side of the studs in the fence frame. As with desk power harnesses, the outlet module accepts two duplex outlets each side and up to four jumper cables or infeeds. One or two adjacent outlet modules are enclosed by a 12"W outlet cover in the upper 9" level of the fence. Power and communications infeeds can enter anywhere along the bottom of the fence frame, where there is a 1" space between fence covers to the floor and a 4" or 7" space from the bottom of the fence frame to the floor.



25"H Fence Spine Planning with Antenna Worksurfaces and Template Storage

Antenna Screens

Antenna privacy screens are available for use on desks, big table and fence and offered in a range of materials including: fabric, laminate, marker surface, wood veneer and glass. Privacy screens provide partial enclosure in two planning horizons: 42"H for visual access and 49"H for seated privacy.

For desks, Antenna screens are always offset from the back or end of a desk top by 1 1/4", which ensures continuous cable management and that power centers, monitor arms and task lights can be secured to the top. Screens can be specified with a half

modesty, which starts at 10" above the floor (to align with the bottom of suspended cabinets) or with a partial modesty, which starts 22 1/2" above the floor. Screens align with top widths and depths.

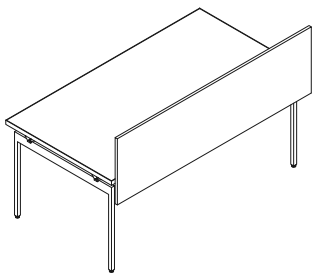
S screens attach to the back of a desktop to provide enclosure both above and below the desktop. The distinctive curved profile transitions from the 10" high vertical modesty panel to a horizontal transaction surface at the 42" horizon.

Also available for desks are floorstanding L screens at a 42" or 49" horizon, in 3/4" thick laminate or wood veneer surfaces. L screens wrap around the corner of a top and must be secured to the underside of the top.

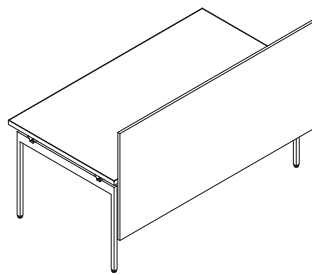
Antenna screens for the big table in 1/2" laminate, marker surface, veneer or glass include a base extrusion that fits into the top of the center beam at any point. Fabric screens are 1 1/4" thick with a painted perimeter metal frame. Screens are available in widths from 24"-72"W.

Intermediate screens are designed to plan anywhere along Antenna big tables or linked desk configurations to delineate individual workspaces. They are available with the same finish options at big table screens.

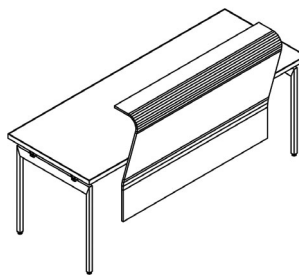
Screen options for fence are the same as those for big table, but the base extrusion is modified to fit into the center of the crown. Top caps are available to complement the fence crown or center beam adjacent to screens.



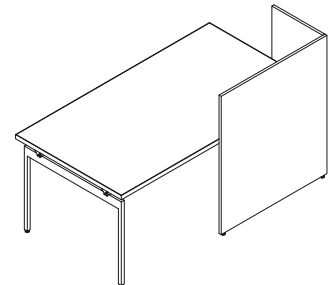
Partial Modesty Desk Screen



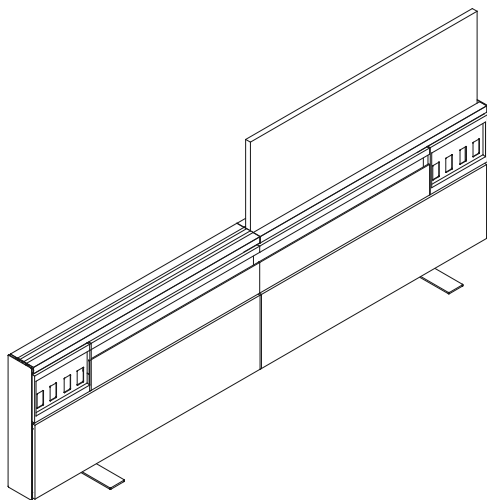
Half Modesty Desk Screen



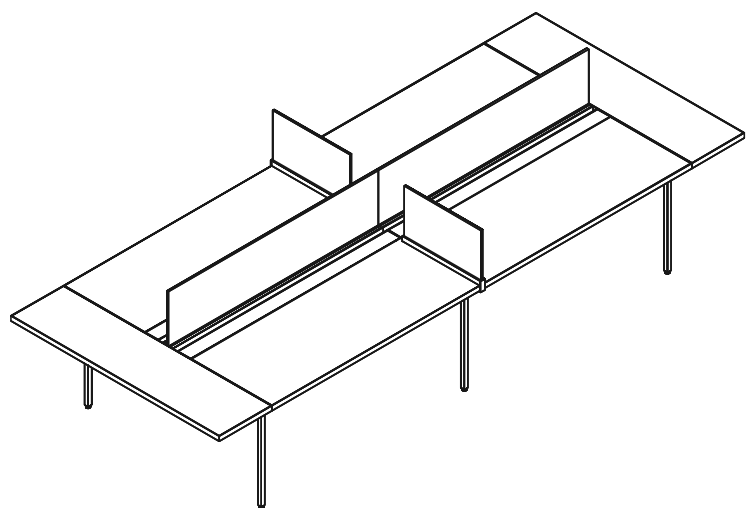
S Screen



Floorstanding L Screen, Left End of Desk



Fence Screen



Big Table Screens

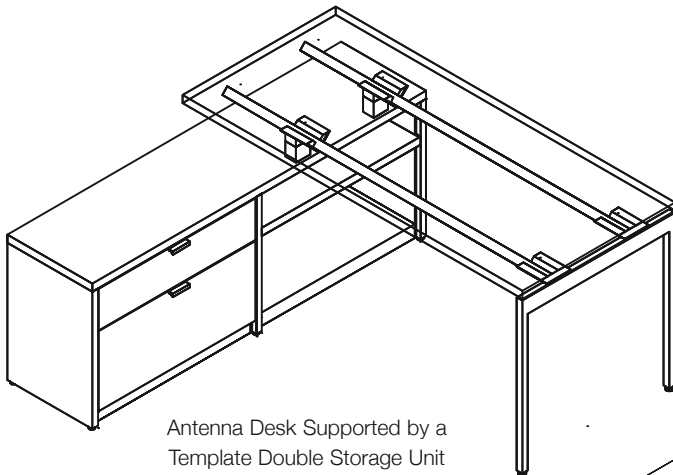
Antenna Components for Template

Antenna desks are designed to be planned next to or integrated with the Template Storage System. Template is based on the structure and dimensions of 15"D bookshelves. The simple structure includes 2"H bases and 1" wide end- and mid- panels that can support power and communications distribution, a top and full or partial structural back panels between vertical panels.

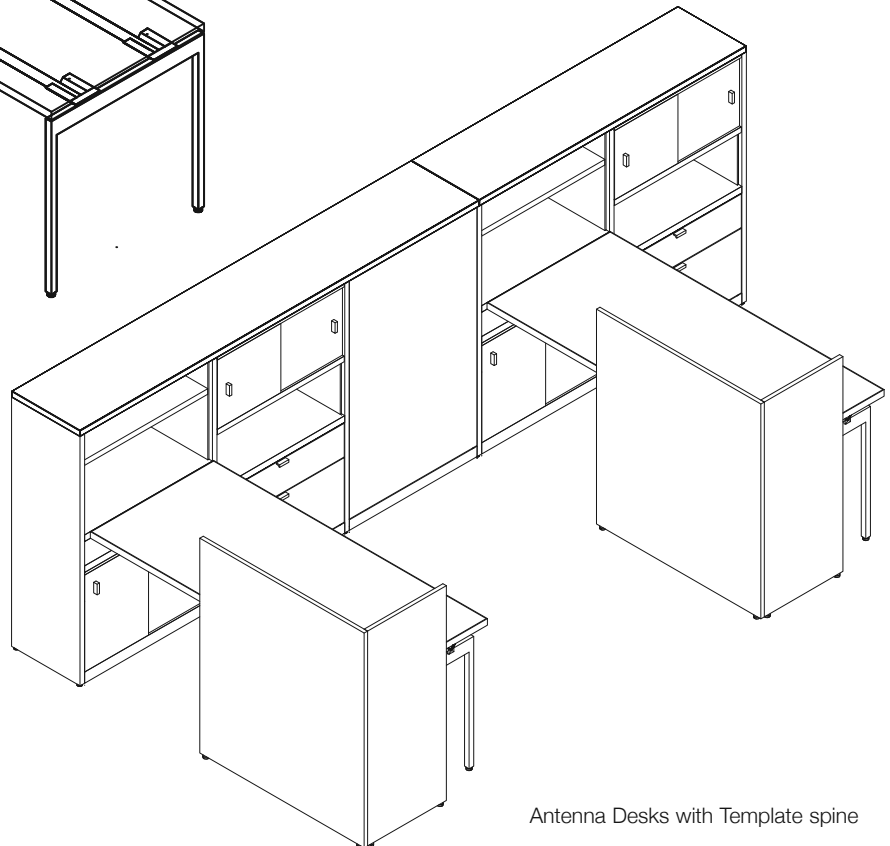
Various open and enclosed storage inserts fill the space between end and mid-panels. Since the structure is identical on "front" and "back," units can be linked, sharing a mid-panel, with components arranged to face one or both sides. Perpendicular Antenna desks can be supported from 22" or higher Template storage.

Template storage can be planned on any of ten horizons from 16" to 84", including key heights of 25", 28", 42" and 49" to match Antenna desk structure, desk tops, screen and storage. Template can be configured as a freestanding single storage unit, in widths from 24"-48", or ganged in any combination. With its compact depth Template is also ideal as a storage wall that defines the perimeter of a workspace or privacy between Antenna desks, or as the "work wall" of a private office.

Antenna tops and worksurface shelves for Template match the front edge material, profile and thickness of Antenna desk tops, but are sized in width to fit specific Template configurations. Antenna adapters are also available to link desks to worksurface shelves or tops for Template. Specify standard Template components for all other applications, including end and mid panels, bases, back panels, shelves and storage inserts.



Antenna Desk Supported by a Template Double Storage Unit



Antenna Desks with Template spine

Antenna Storage

Complementary Antenna storage components include painted steel, and laminate or wood veneer construction that are freestanding, furniture-mounted and wall-mounted.

Suspended storage options begin with the steel laptop drawer, with wire management features that enable it to serve as a secure storage for portable electronics. Other suspended storage units are laminate or wood veneer construction open shelves, in versions accessible from front/back or from the end of desk, and suspended file drawer, with internal pencil drawer. Suspended storage sizes correspond to desk depths.

Metal pedestal options are 18" or 24"D mobile data/file, 18", 24", or 30"D floorstanding two box/file, and two file units, with painted, laminate, or veneer fronts. Floorstanding 18"D two file pedestals are also available in 30" and 36" widths. Floorstanding pedestals with ballast kits can be integrated into the desk structure in place of a leg.

Above desk and below desk extension cabinets also correspond in size to desk and overall big table depths, supported by extended rails, with a "floor" or top flush with the adjacent desk top.

Stanchion mounted wood and metal construction shelves and cabinets, available with no back, full back or shared configurations, can be mounted on center beam of big table or on the fence. Stanchion mounted steel construction cabinets are available with painted steel surface doors. Stanchions for each application are designed to lift the 15"H x 15"D cabinets to an overall height of 49".

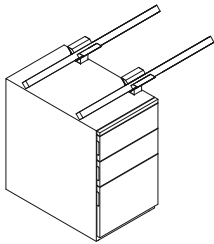
Wall mounted wood and metal open and enclosed storage units are also available, with overlapping doors in the same finish options as upmounted cabinets.

Cantilever shelves for big tables, 12" and 24"W, mount to either side of a center beam, while platforms can be supported on stanchions at 34"H.

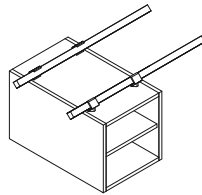
Desk-end cabinets, 49"H and 27", 30" and 36" depths, occupy a narrow footprint and provide access to shelves and coat storage from front and back in open/open, open/enclosed and enclosed/enclosed versions with hinged doors. Desk-end cabinet for 24"D applications is accessible from front only. Desk-end cabinets are floorstanding, but must be secured to desk for stability.

L cabinets are freestanding enclosures for coats and open shelves in a 24" x 24" L-shape that helps define the perimeter of an individual workspace. Single and double width wardrobes are also available for coat storage.

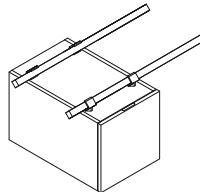
Enclosed shelf and file cabinets are freestanding 18"D open, enclosed or partially enclosed cabinets in laminate or veneer, that can be utilized as storage walls in open plan or private offices.



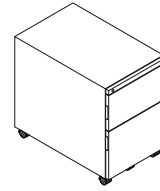
Floorstanding Pedestal



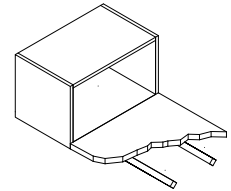
Suspended Open Cabinet



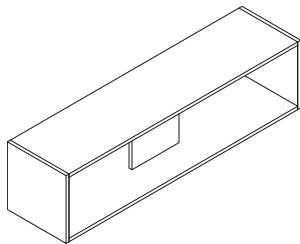
Suspended Wood File with Internal Pencil Drawer



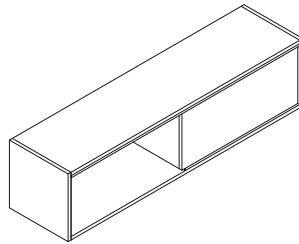
Mobile Pedestal



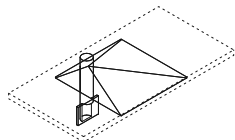
Above Desk Extension Cabinet



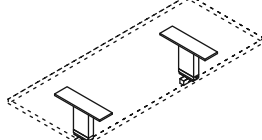
Stanchion Mounted Open Cabinet



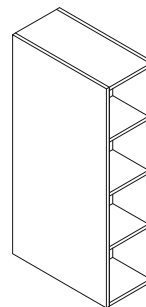
Stanchion Mounted Shared Open Cabinet



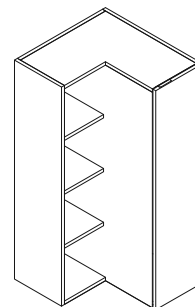
Cantilever Shelf for Big Table



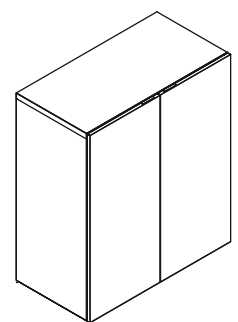
Stanchion Mounted Platform



Desk End Cabinet



Floorstanding L Cabinet



Enclosed Shelf Cabinet

Interpole Planning Guidelines

Interpole is a unique vertical planning approach based on a floor to ceiling H-pole applicable in open plan, private offices and activity spaces. Interpole poles incorporate two channels which may be open or enclosed, and two continuous slots for mounting shelves, screens, accessories or KnollExtra Sapper monitor supports at any height.

Interpole enables five distinct planning applications: hub, display, conduit, screen and storage wall.

Hub

Interpole distributes two circuit power from floor or ceiling to outlets at lounge, desk or standing height to serve as a recharge station for portable devices.

Display

Interpole with monitor support can serve as a technology mast in private offices or community spaces.

Conduit

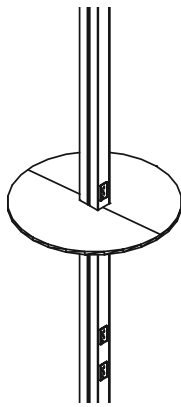
Interpole can route ceiling infeeds of power and communications cables in separate channels to supply Antenna workspaces linked desks, big table or Fence, or clusters of Dividends Horizon, AutoStrada, Reff Profiles or Morrison panel systems.

Screen

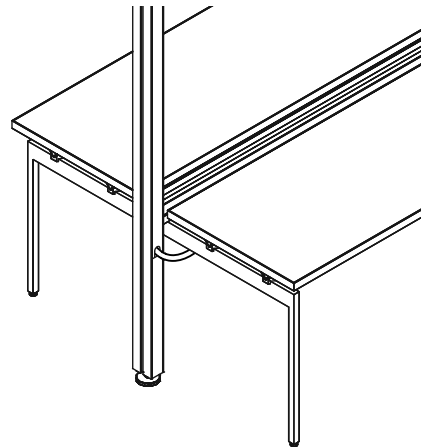
Interpole whiteboard, translucent glass or tackable screens mount between poles with or without covers to define boundaries of team meeting and community spaces with a functional surface.

Storage

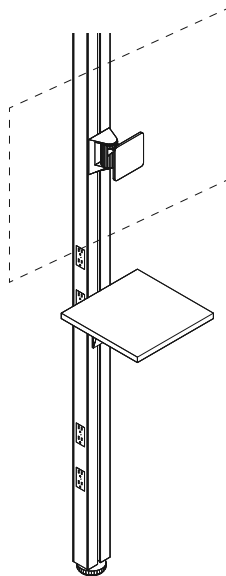
Interpole wood shelves and cabinets mount between poles at any level to support and define workstations, offices, or activity spaces. Vertical wood cabinets mount to the side of a pole providing open or enclosed shelf storage or wardrobe.



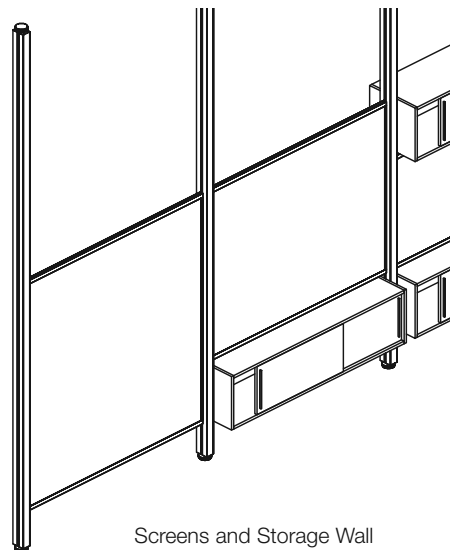
Hub



Conduit



Display



Screens and Storage Wall

The fundamental planning unit for Antenna and the starting point for any planning approach is the desk or table tops that form an individual or group workplace. What differs is how those tops are supported and complemented with services, screens and storage.

Antenna is most efficiently planned as groups of workplaces. Five unique planning models enable clustered desks, linked desks, big tables, desks with fence or the Template Storage System to serve as the shared, powered “spine” of a cluster. Each has unique advantages.

Clustered Tables or Desks are the most flexible planning approach, particularly when coupled with the fence or a raised floor system. Desks can be supplied individually from fence, raised floor, ceiling or adjacent built wall. Screens can be shared between desks, but clustered desks are independent so they can be freely rearranged as needs change.

Linked Desks are more economical than clustered desks, and involve shared legs or back-to-back legs that free up floor space. Since linked desks can distribute power throughout, services can be more cost effectively supplied from a single point to eight or more workplaces. Screens can be shared between back to back desks, but power components may need to be specified on both sides of screen for optimal access to outlets.

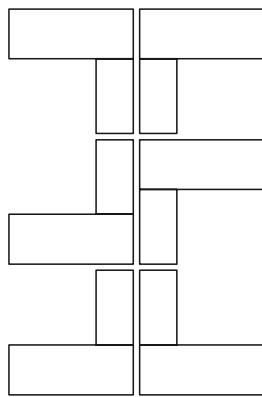
The Big Table is the most cost effective planning approach with Antenna Workspaces, combining efficient, dual sided power distribution, screens, storage support and desk support. Power and communications outlets and distribution are discreet yet easily accessible. Because desk returns can be attached anywhere, the big table is fully functional as the spine of a work group.

Antenna dual sided big tables can be planned in 120 degree configurations with 120 degree Antenna tops, intermediate legs for 120 degree, standard big table end legs, rails, center beams

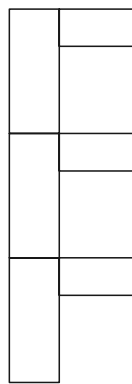
and power components. Whether it is a basic triad configuration or a larger dogbone six-pack layout, 120 degree worksurfaces provide a more space efficient way to plan a workspace.

Fence for Antenna can also serve as the structural spine of a cluster of desks, eliminating some legs. Since services can be accessed on both sides, fence power distribution can be more cost effective than with linked desks. Fence can also support storage cabinets and screens.

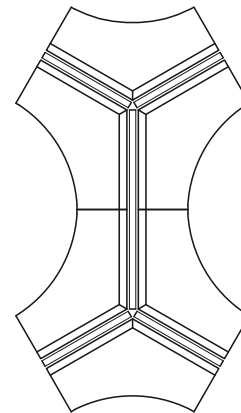
Template Storage System can also serve as the spine of a cluster of desks, eliminating some structural legs. Since power can be distributed through the base and terminated in outlets at desk height, power distribution can be more cost effective than with linked desks. Storage options within Template can be configured for access on both sides. Unique 27"D Antenna desks enable a wire drop and desk mounted screens to plan “within” Template’s centerline planning module.



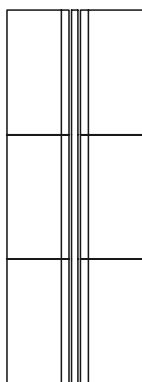
Clustered Desks



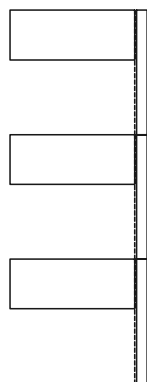
Linked Desks



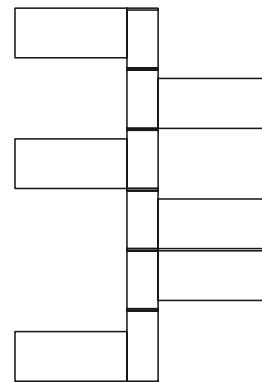
120 Degree Big Table



Big Table



Fence with Antenna Desks



Antenna Desks with Template Spine

Preconfigured Tables

Antenna Tables are available as complete kits including top, rails and legs. Preconfigured tables include round, square, rectangular and track shapes, in standard Antenna laminate, veneer, or glass top details, with painted or chrome finish legs. End legs for round, square and rectangle shapes are table desk end legs that capture the ends of the rails and enable knee space on all sides of desk height tables. Track shape tables are supported by standard Antenna end legs over which the rails extend to the ends of the top for maximum support.

Round tables in 42" diameter have a 27" square base, and tables in 48" diameter include a 30" square base. Round tables in 42" diameter are available in three heights: 18 1/2", 24 1/2", 28 1/2". The lowest height is coffee table height, suitable for reception or casual areas, the medium height is designed for use of portable electronics in casual work areas, and the highest is standard desk height. Round tables in 48" diameter are only available at desk height.

Square tables have table desk end legs at the corners. Square 30" tables are also available in three heights: 18 1/2", 24 1/2", 28 1/2". Square 36", 42" and 48" tables are only desk height.

Rectangular tables have table desk end legs flush with the short ends. Rectangular tables are available in classic 2 x 1 proportions, 48x24, 54x27, 60x30, 72x36, 84x42, all at standard desk height 28 1/2".

Rectangular shape tables other than these sizes can be assembled from components (tops, rails and legs specified separately).

Track shape tables have standard Antenna end legs inset 4 1/2" from each long side edge adjacent to the semi-circular ends of the top. Track shape tables are 72x36, 84x42 or 96x48, all at standard desk height 28 1/2".

All table legs include standard Antenna levelers with 1 1/2" continuous adjustment range.

Construction

Antenna tops are nominal 1 3/16" thick with a laminate or veneer surface finish. Laminate tops have a laminate top surface with an FSC-certified particle board core and a neutral tone backer sheet for balanced construction. Edges can match the top or contrast in color, in 2.8mm ABS with 2.4mm radius top and bottom edges. Front and back edges overlap ends with a 2.4 mm radius on outside corners.

Techwood and natural veneer tops have a veneer top surface, an FSC-certified particle board core and a neutral tone backer sheet for balanced construction. Veneer tops have matching finish 2.0mm solid veneer edges

on all sides. Top and bottom edges have a 2.0mm radius. Veneer grain direction is parallel to front edge on desk tops, and parallel to end on extension tops.

Glass tops are 1/2" thick with a slight radius on the top and bottom edges as well as the corners.

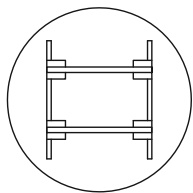
Rails are 1 1/4" square steel tube. End caps are die cast aluminum. Return adapters are die cast aluminum.

End legs are steel weldments with 1" square legs and a 2 1/2" horizontal rail. Legs include 2 1/2" levelers with 3/8" stems and continuous 1 1/2" adjustment range. Cradles and clamps are cast aluminum with countersunk fasteners into legs, mating parts and top.

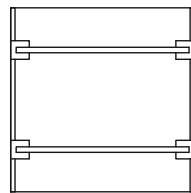
Specification Options

Table tops may be specified in any Antenna solid, pattern or woodgrain laminate, with matching or contrasting ABS edge in any Antenna Techwood or natural veneer with matching edge, or with a glass finish.

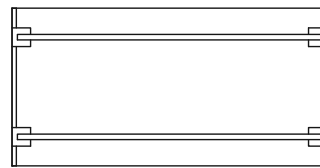
Glass finish options include Clear, Powder, Starfire Clear, Grey Tinted, Back Painted Black, and Back Painted White. Rails may be specified in any Antenna core or accent painted finish. Legs may be specified in any Antenna core or accent painted finish, with matching cradle finish, or in chrome with any Antenna paint finish for the cradles.



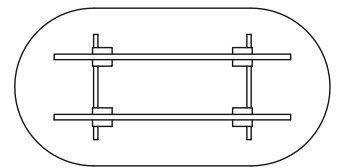
Round Table Plan View



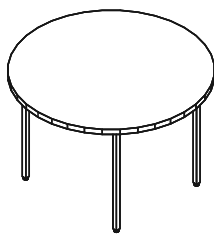
Square Table Plan View



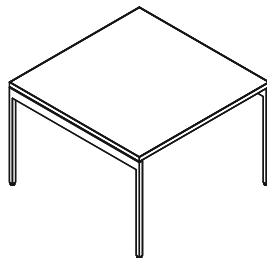
Rectangular Table Plan View



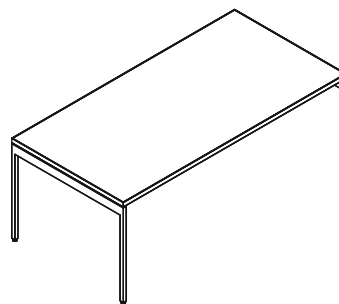
Track Shaped Table Plan View



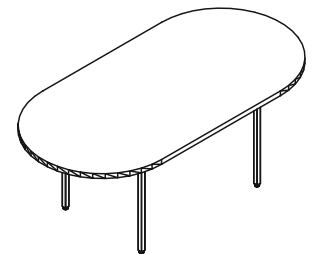
Round Table,
18", 24 1/2" or
28 1/2" High



Square Table,
18", 24 1/2" or
28 1/2" High



Rectangular Table,
28 1/2" High

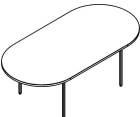

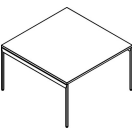
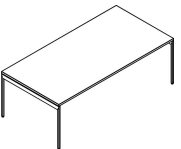


Track Shaped Table,
28 1/2" High

Antenna Leg Base Tables

Antenna Tops

Track, Round, Square and Rectangle

description	w	d	h	pattern no.	Laminate (L)	V1 (V)	V2 (V)	V3 (V)	Chrome Base Upcharge
 Tables with Track Shaped Antenna Tops	72"	36"	28 1/2"	YKTT7236D()	\$1,536.	\$2,620.	\$2,885.	\$3,498.	n/a
	84"	42"	28 1/2"	YKTT8442D()	1,654.	3,002.	3,322.	4,056.	n/a
	96"	48"	28 1/2"	YKTT9648D()	1,832.	3,413.	3,785.	4,642.	n/a
 Tables with Round Shaped Antenna Tops	42"	42"	18 1/2"	YKTR42L()	1,241.	2,388.	2,628.	3,177.	481.
	42"	42"	24 1/2"	YKTR42M()	1,241.	2,388.	2,628.	3,177.	481.
	42"	42"	28 1/2"	YKTR42D()	1,241.	2,388.	2,628.	3,177.	481.
	48"	48"	28 1/2"	YKTR48D()	1,360.	2,518.	2,775.	3,366.	491.
 Tables with Square Shaped Antenna Tops	30"	30"	18 1/2"	YKTS3030L()	1,069.	1,344.	1,424.	1,644.	491.
	30"	30"	24 1/2"	YKTS3030M()	1,069.	1,344.	1,424.	1,644.	491.
	30"	30"	28 1/2"	YKTS3030D()	1,069.	1,344.	1,424.	1,644.	491.
	36"	36"	28 1/2"	YKTS3636D()	1,166.	1,445.	1,536.	1,781.	584.
	42"	42"	28 1/2"	YKTS4242D()	1,278.	1,670.	1,798.	2,114.	638.
	48"	48"	28 1/2"	YKTS4848D()	1,391.	1,899.	2,047.	2,439.	706.
 Tables with Rectangle Shaped Antenna Tops	48"	24"	28 1/2"	YKTS4824D()	1,131.	1,402.	1,487.	1,717.	381.
	54"	27"	28 1/2"	YKTS5427D()	1,246.	1,529.	1,623.	1,882.	481.
	60"	30"	28 1/2"	YKTS6030D()	1,380.	1,616.	1,713.	2,017.	491.
	72"	36"	28 1/2"	YKTS7236D()	1,492.	1,779.	1,917.	2,247.	584.
	84"	42"	28 1/2"	YKTS8442D()	1,781.	1,992.	2,128.	2,497.	638.

Ordering Information

- Tables**
1. Pattern Number
 2. Top Finish
 3. Edge Finish (for laminate tops only)
 4. Rail Paint Finish
 5. Cradle Paint Finish (for chrome legs only)
 6. Leg Paint Finish

Order Code

Tables

Example: **YKTS3030DL, 118T, 118T, 118T, 118T**

YK	Table Kit
TS	Antenna Square Top
30	Depth
30	Width
D	Desk Height
L	Laminate
118T	Bright White Top
118T	Bright White Edge
118T	Bright White Paint
118T	Bright White Paint
118T	Bright White Paint

Included With

- Tables**
- Antenna Top
 - (2) Rails
 - (2) End Legs
 - (4) Cradles
 - (4) Leveling Glides
 - Attachment Hardware

Options

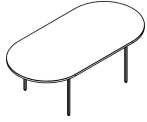
- Table**
- Top Finish Options:**
(L) = Laminate
(V) = Veneer
- Leg Finish Options:**
- End Legs are available in Knoll core paints, Dark Red (130) and Slate blue (131) paint finishes, as well as polished chrome (PD) finish.
- Add the chrome base upcharge to the table list price when the table base is specified with a chrome finish.
- Chrome base is not available on track shaped tables.

Antenna Leg Base Tables

Glass Tops

Track, Round, Square and Rectangle

description	w	d	h	pattern no.	Clear Glass (TEMP)	Powder Glass (GL13)	Starfire Clear Glass (GL85)	Grey Glass (GL35)	Back Painted Black Glass (GL11)	Back Painted White Glass (GL45)	Chrome Base Upchg.
Tables with Track Shaped Glass Tops	72"	36"	28 1/2"	YKTT7236DG	\$4,039.	\$5,071.	\$5,530.	\$6,546.	\$7,642.	\$7,642.	n/a
	84"	42"	28 1/2"	YKTT8442DG	4,474.	5,874.	6,505.	7,653.	9,385.	9,385.	n/a
	96"	48"	28 1/2"	YKTT9648DG	4,969.	6,793.	7,630.	8,938.	11,370.	11,370.	n/a



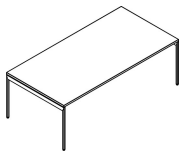
Tables with Round Shaped Glass Tops	42"	42"	18 1/2"	YKTR42LG	2,835.	3,534.	3,849.	4,590.	5,565.	5,565.	481.
	42"	42"	24 1/2"	YKTR42MG	2,835.	3,534.	3,849.	4,590.	5,565.	5,565.	481.
	42"	42"	28 1/2"	YKTR42DG	2,835.	3,534.	3,849.	4,590.	5,565.	5,565.	481.
	48"	48"	28 1/2"	YKTR48DG	3,132.	4,045.	4,452.	5,267.	6,333.	6,333.	491.



Tables with Square Shaped Glass Tops	30"	30"	18 1/2"	YKTS3030LG	2,147.	2,501.	2,662.	3,672.	3,396.	3,396.	491.
	30"	30"	24 1/2"	YKTS3030MG	2,147.	2,501.	2,662.	3,672.	3,396.	3,396.	491.
	30"	30"	28 1/2"	YKTS3030DG	2,147.	2,501.	2,662.	3,672.	3,396.	3,396.	491.
	36"	36"	28 1/2"	YKTS3636DG	2,340.	2,858.	3,087.	4,130.	4,143.	4,143.	584.
	42"	42"	28 1/2"	YKTS4242DG	2,628.	3,328.	3,643.	4,763.	5,083.	5,083.	638.
	48"	48"	28 1/2"	YKTS4848DG	2,863.	3,775.	4,188.	5,381.	6,070.	6,070.	706.



Tables with Rectangle Shaped Glass Tops	48"	24"	28 1/2"	YKTS4824DG	2,001.	2,461.	2,667.	2,955.	3,602.	3,602.	381.
	54"	27"	28 1/2"	YKTS5427DG	2,312.	2,891.	3,156.	3,523.	4,337.	4,337.	481.
	60"	30"	28 1/2"	YKTS6030DG	2,926.	3,638.	3,959.	4,440.	5,428.	5,428.	491.
	72"	36"	28 1/2"	YKTS7236DG	3,287.	4,314.	4,784.	5,415.	6,885.	6,885.	584.
	84"	42"	28 1/2"	YKTS8442DG	4,066.	5,668.	6,391.	6,735.	9,660.	9,660.	638.



Ordering Information

Tables

1. Pattern Number
2. Top Finish
3. Rail Paint Finish
4. Cradle Paint Finish (for chrome legs only)
5. Leg Paint Finish

Order Code

Tables

Example: **YKTS4824DG, TEMP, 118T, 118T, 118T**

YK	Table Kit
TS	Antenna Square Top
48	Depth
24	Width
D	Desk Height
G	Glass
TEMP	Clear Glass
118T	Bright White Rails
118T	Bright White Cradles
118T	Bright White Legs

Included With

Tables

- Glass Top
- (2) Rails
- (2) End Legs
- (4) Cradles
- (4) Leveling Glides
- Attachment Hardware

Options

Table

Glass Top Finish Options:

Add finish option as suffix to pattern number:

- (TEMP) = Clear Glass
- (GL13) = Powder Glass
- (GL85) = Starfire Clear Glass
- (GL35) = Grey Tinted Glass
- (GL11) = Back Painted Black Glass
- (GL45) = Back Painted White Glass

Leg Finish Options:

End Legs are available in Knoll core paints, Dark Red (130) and Slate blue (131) paint finishes, as well as polished chrome (PD) finish.


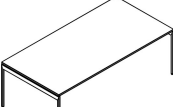
Add the chrome base upcharge to the table list price when the table base is specified with a chrome finish.

Chrome base is not available on track shaped tables.

Antenna Leg Base Tables

Overlay Tops

Square and Rectangle

description	width	depth	height	pattern number	Color Core Laminate (C)	V1 (V)	V2 (V)	V3 (V)	Chrome Base Upcharge
 <p>Tables with Square Shaped Overlay Tops</p>	30"	30"	18 1/2"	YKPTS3030L()	\$2,539.	\$1,966.	\$2,138.	\$2,539.	\$491.
	30"	30"	24 1/2"	YKPTS3030M()	2,539.	1,966.	2,138.	2,539.	491.
	30"	30"	28 1/2"	YKPTS3030D()	2,539.	1,966.	2,138.	2,539.	491.
	36"	36"	28 1/2"	YKPTS3636D()	2,703.	2,086.	2,273.	2,703.	584.
	42"	42"	28 1/2"	YKPTS4242D()	2,880.	2,224.	2,424.	2,880.	638.
	48"	48"	28 1/2"	YKPTS4848D()	3,031.	2,333.	2,545.	3,031.	706.
 <p>Tables with Rectangle Shaped Overlay Tops</p>	48"	24"	28 1/2"	YKPTS4824D()	2,610.	2,020.	2,198.	2,611.	381.
	54"	27"	28 1/2"	YKPTS5427D()	2,807.	2,168.	2,363.	2,807.	481.
	60"	30"	28 1/2"	YKPTS6030D()	2,940.	2,262.	2,468.	2,940.	491.
	72"	36"	28 1/2"	YKPTS7236D()	3,159.	2,418.	2,750.	3,159.	584.
	84"	42"	28 1/2"	YKPTS8442D()	3,486.	2,688.	2,929.	3,486.	638.

Ordering Information

Tables

1. Pattern Number
2. Top Finish
3. Edge Finish
(for laminate tops only)
4. Rail Paint Finish
5. Cradle Paint Finish
(for chrome legs only)
6. Leg Paint Finish

Order Code

Tables

Example: **YKPTS3030DL, 311, V440, 118T, 118T, 118T**

YK	Table Kit
PTS	Overlay Square Top
30	Depth
30	Width
D	Desk Height
C	Color Core Laminate
311	Solid Gallery White Top
V440	Natural Hemlock Edge
118T	Bright White Paint
118T	Bright White Paint

Included With

Tables

- Antenna Top
- (2) Rails
- (2) End Legs
- (4) Cradles
- (4) Leveling Glides
- Attachment Hardware

Options

Table

Top Finish Options:
(C) = Color Core Laminate
(V) = Veneer

Leg Finish Options:

Table Desk End Legs are available in Knoll core paints, Dark Red (130) and Slate blue (131) paint finishes, as well as polished chrome (PD) finish.

Add the chrome base upcharge to the table list price when the table base is specified with a chrome finish.

Antenna Y-base Tables

Antenna Y-base tables offer unobstructed kneespace and advanced cable management in compact shapes designed for small workstations and meeting spaces. Y-base tables combine standard detail laminate or veneer Antenna tops with a grommet centered over posts with an integral wire management channel and a low profile, three-spoke "Y" base or "bowtie" shape base.

Round tables 36" in diameter are available in three heights of Y-shape bases: 24½" medium height, 28½" desk height and 36½" standing height. The lowest of these is suitable for use of portable electronics in casual work areas. Round tables 42" in diameter are available in 24½" medium height and 28½" desk height only. Base spokes extend to align with the perimeter of the top.

Track shape tables 72" x 36" and 84" x 42" are available in two heights of bowtie-shape bases with two columns: 28½" desk height and 36½" standing height.

Rectangular top tables 72" x 36" and 84" x 42" are available in two heights of the same bowtie-shape bases as track-shape tables: 28½" desk height and 36½" standing height.

Construction

Antenna tops are nominal 1³/₁₆" thick with a laminate or veneer surface finish. Laminate tops have a laminate top surface with an FSC-certified particle board core and a neutral tone backer sheet for a balanced construction. Edges can match the top or contrast in color, in 2.8mm ABS with 2.4mm radius tops and bottom edges. Long edges of rectangular tops overlap side edges with a 2.4mm radius on outside corners.

Techwood and natural veneer tops have a veneer top surface, an FSC-certified particle board core and a neutral tone backer sheet for balanced constructions. Veneer tops have matching finish 2.0mm solid veneer or ABS edges on all sides. Top and bottom edges have a 2.0mm radius. Veneer grain direction is parallel to long sides of track shape and rectangular tops.

Round tables in 36" diameter include a formed steel, three-prong top plate, 2½" diameter aluminum center post with vertical wire manager and removable aluminum access cover, solid hub weldment, and three 1¼" square steel tube base spokes with end caps. Track shape and rectangular tables 36" x 72" include two 2½" center posts, joined with hub weldments to two spokes and a 1¼" square steel tube stretcher between posts. Each spoke includes a 1½" leveler with 3⁄8" stems and continuous ¾" adjustment range.

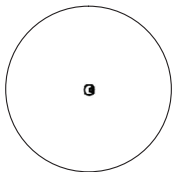
Round tables in 42" diameter include a steel, three-prong top plate, 3" diameter aluminum center post with vertical wire manager and removable aluminum access cover, solid hub weldment, and three 1½" square steel tube base spokes with end caps. Track shape and rectangular tables 42" x 84" include two 3" diameter center posts, joined with hub weldments to two spokes and a 2½" square steel tube stretcher between posts. Each spoke includes a 1½" leveler with 3⁄8" stems and continuous ¾" adjustment range.

Specification Options

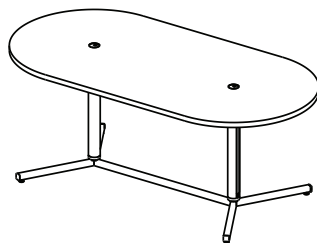
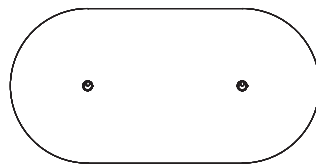
Table tops may be specified in any Antenna solid, pattern or woodgrain laminate, with matching or contrasting ABS edge, or in any Antenna Techwood or natural veneer with matching solid veneer or ABS edge. Round tops may be specified with or without 2" dia. center grommet, in painted aluminum liner and flush round cap with mousehole. Track and rectangular shapes may be specified with or without two grommets centered over posts.

Top plate is painted black. Base column, spokes and stretchers may be specified in any standard Antenna painted finish.

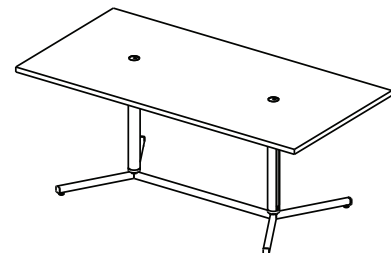
Grommet may be specified in any standard Antenna painted finish.



Round Table, 36" or 42"
Top in Medium, Desk
Height or Standing Height



Track Shape Table,
36" x 72" or 42" x 84" Top in
Desk or Standing Height



Rectangular Top Table,
72" x 36" or 84" x 42" Top in
Desk or Standing Height

Y-base tables

Planning Guidelines and Specifications

36" Round in Medium, Desk Height and Standing Height



42" Round in Medium and Desk Heights



36" x 72" and 42" x 84" Track Shapes in Desk and Standing Heights



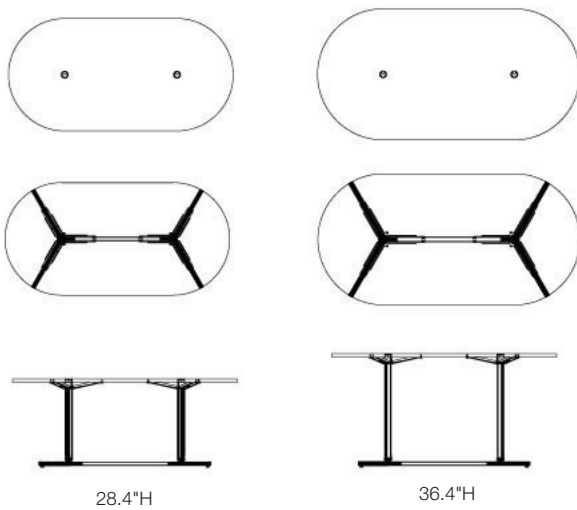
72" x 36" and 84" x 42" Rectangles in Desk and Standing Heights



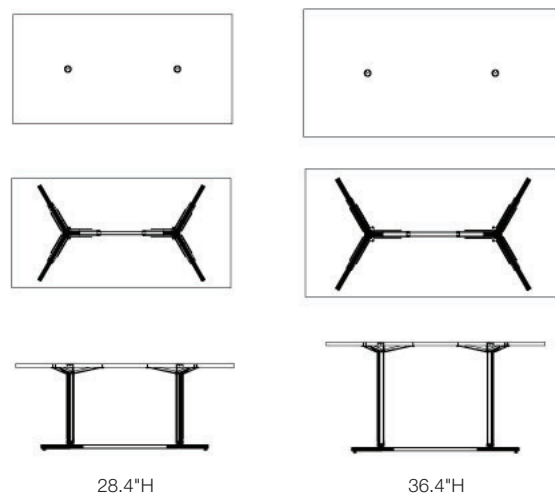
Elevation View of 36" Diameter Table at Medium, Desk and Standing Height



Track Shape Tables, 36" x 72", 42" x 84" in Desk Height and Standing Height





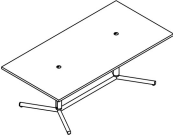
Rectangular Tables, 72 x 36", 84 x 42", in Desk Height and Standing Height



Y-base tables

Antenna tops

Round, track and rectangle

description	type	w	d	h	pattern no.	Laminate (L)	V1 (V)	V2 (V)	V3 (V)	
Tables with Round Shape Antenna Tops 	medium height	36" dia.		24 1/2"	YKTR36YMG	\$1,339.	\$2,869.	\$2,923.	\$3,251.	
		42" dia.		24 1/2"	YKTR42YMG	1,666.	3,196.	3,278.	3,633.	
	desk height	36" dia.		28 1/2"	YKTR36YDG	1,394.	2,923.	2,978.	3,305.	
		42" dia.		28 1/2"	YKTR42YDG	1,721.	3,251.	3,333.	3,687.	
	standing height	36" dia.		36 1/2"	YKTR36YHG	1,475.	3,005.	3,059.	3,388.	
	Tables with Track Shape Antenna Tops 	desk height	72"	36"	28 1/2"	YKTT7236YDG	2,786.	4,125.	4,208.	4,726.
84"			42"	28 1/2"	YKTT8442YDG	3,497.	4,753.	4,863.	5,519.	
standing height		72"	36"	36 1/2"	YKTT7236YHG	2,951.	4,289.	4,371.	4,890.	
		84"	42"	36 1/2"	YKTT8442YHG	3,661.	4,917.	5,026.	5,683.	
Tables with Rectangle Shape Antenna Tops 		desk height	72"	36"	28 1/2"	YKTS7236YDG	2,677.	2,896.	3,005.	3,497.
			84"	42"	28 1/2"	YKTS8442YDG	3,251.	3,497.	3,661.	4,316.
	standing height	72"	36"	36 1/2"	YKTS7236YHG	2,841.	3,059.	3,278.	3,770.	
		84"	42"	36 1/2"	YKTS8442YHG	3,414.	3,661.	3,824.	4,481.	

Ordering Information

Tables

1. Pattern Number
2. Grommet / no grommet
3. Top surface type
4. Top finish
5. Edge Finish (for laminate tops only)
6. Base finish (paint)
7. Grommet finish (paint)

Order Code

Tables

Example: **YKTR36YMG**L, **118T**, **118T**, **118T**, **118T**

YK	Antenna Assembly
T	Antenna Square Top
R	Shape
36	Size
Y	Base Type
L	Laminate
118T	Bright White Top
118T	Bright White Edge
118T	Bright White Base
118T	Bright White Grommet

Included With

Tables

Antenna Top
 Top plate(s)
 Center post
 Base spokes
 Levelers
 Attachment Hardware

Options

Table

(G) Grommet(s)
 (N) No grommet
 For no grommets, deduct \$25 for round. Deduct \$50 for track shape and rectangle tops

Top Finish Options:

(L) = Laminate
 (V) = Veneer

Top may be specified in any Knoll core laminate or veneer.

Leg Finish Options:

End Legs are available in Knoll core paints, Dark Red (130) and Slate blue (131) paint finishes.

Media Enclave

Planning Guidelines and Specifications

Media Enclave is a complete Antenna Workspaces activity space for small group meetings of three or four participants. Media Enclaves are ready to accept center beam mounted Sapper post with TV, and can discreetly manage collaborative technology to link meeting participants. Media Enclave facilitates change in technology or even reconfiguration into other sizes of work space.

Media Enclave is preconfigured from standard Antenna big table components for ease of ordering and planning. Media Enclave kits include table, table with end panel, and power for either table, each orderable with a single pattern number.

Media Enclave table includes two 60" x 24" tops with full width hinged access, an 18" x 53 1/2" extension top, two end legs, rails, center beam, beam top and end caps and beam mounted cable holders, 39" x 12" cable basket and all hardware for assembly. Media Enclave table plans as overall 78"W x 53 1/2"D x 28 1/2"H.

Media Enclave with End Panel includes 56"H x 53 1/2"W x 1 1/4" thick end panel in laminate surface, in addition to tops, end legs, rails, center beam, top cap, end cap and cable holders, cable basket and attachment hardware.

Media Enclave power kit mounts directly under center beam and includes power harness and covers, four duplex outlets on one circuit, and power infeed cable with pigtail to be field hardwired to a code approved junction box (not included).

Construction

Tops and full width hinged surfaces are 1 3/16" thick with a laminate top surface, FSC-certified particle board core and a neutral tone backer sheet for balanced construction. Edgeband in 2.8mm ABS matches the top in color, with 2.4mm radii on top and bottom edges.

Rails are powder-coat painted 1 1/4" square steel tube with die cast aluminum end caps. Center beam is powder coat painted aluminum extrusion with continuous slots on front, back and underside for attachments and a center slot for attaching Sapper monitor masts, platform and other accessories. Beam end caps are painted steel.

End legs are steel weldments with 1" square legs and a 2 1/2" horizontal rail. Legs include 2 1/2" levelers with 3/8" stems and continuous 1 1/2" adjustment range. Legs include cradles and rail clamps in cast aluminum with countersunk fasteners into legs, mating parts and tops.

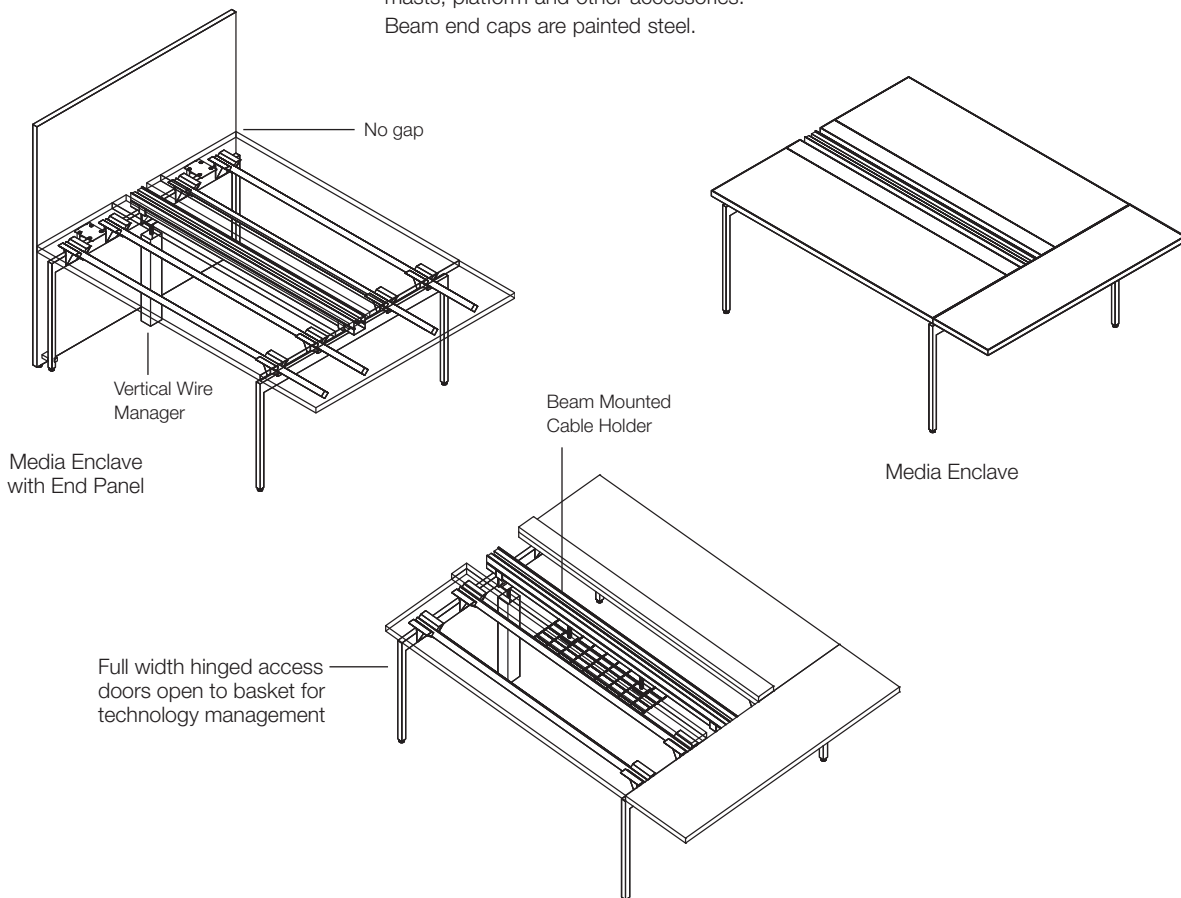
End panels are 1 3/16" thick with two laminate surfaces on FSC-certified particle board core. Edgeband in 2.8mm ABS matches the faces in color, with 2.4mm radii on top and vertical edges.

Specification Options

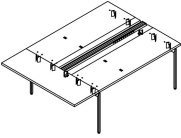
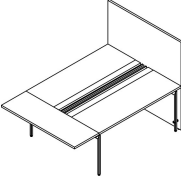
Table tops may be specified in any Antenna solid laminate, with matching ABS edges. End panel can be specified in the same laminate as tops or in a contrasting laminate.

Legs and rails may be specified in any Antenna core paint finish. Center beam and end caps can be specified in the same or contrasting Antenna core paint finish.

Specify power components kit separately.

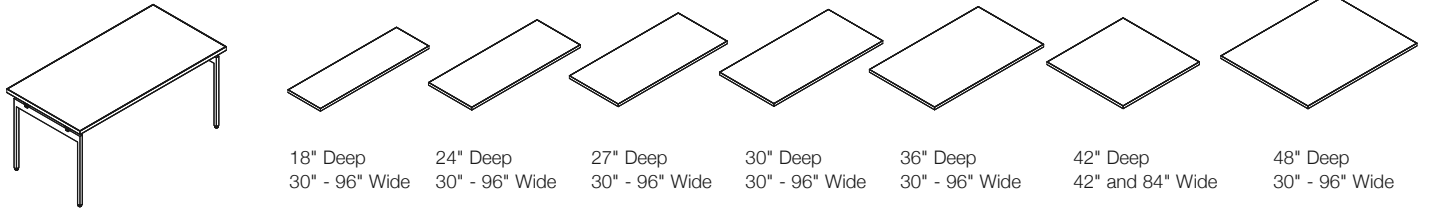


Media Enclave
*Antenna tops
 laminate only*

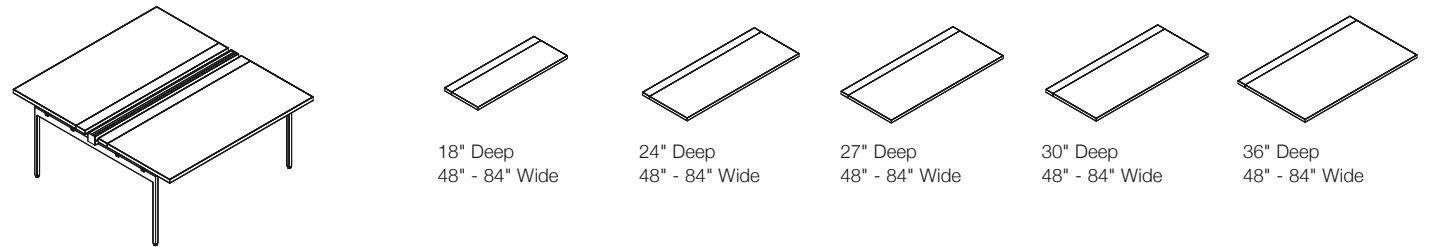
description	w	d	h	pattern no.	L	LM
Media enclave 	78"	53 1/2"	28 1/2"	YKME7854NE	\$4,346.	
Media enclave with end panel 	78"	53 1/2"	56"	YKME7854HE	5,237.	5,465.
Power kit for media enclave				YKME4DA	659.	

Ordering Information	Order Code	Included With	Options
Media Enclave 1. Pattern Number 2. Top finish 3. Edge Finish (matches top finish) 4. Center beam finish 5. Base finish	Media Enclave <i>Example:</i> YKME7854NEL 118,118,118,118 <hr/> YK Antenna Assembly <hr/> ME Media Enclave <hr/> 78 Width <hr/> 54 Depth <hr/> NE No end panel <hr/> L Laminate <hr/> 118 Top laminate <hr/> 118 Top edge <hr/> 118 Center beam finish <hr/> 118 Base finish	Media Enclave Antenna Top Center beam End Legs Rails Connecting Hardware End panel (if applicable)	Media Enclave HE high end panel NE no end panel Top Finish Options: (L) = Laminate Top may be specified in any Knoll core laminate with matching edge. Leg Finish Options: Legs may be specified in any Knoll core paints, Dark Red (130) and Slate blue (131) paint finishes.

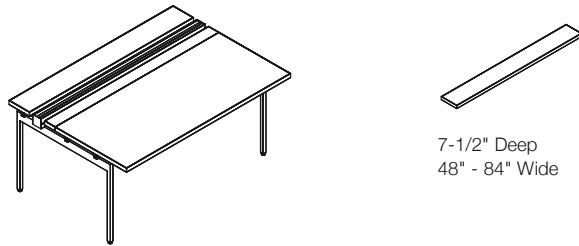
Rectangular Tops for Desks or Big Tables



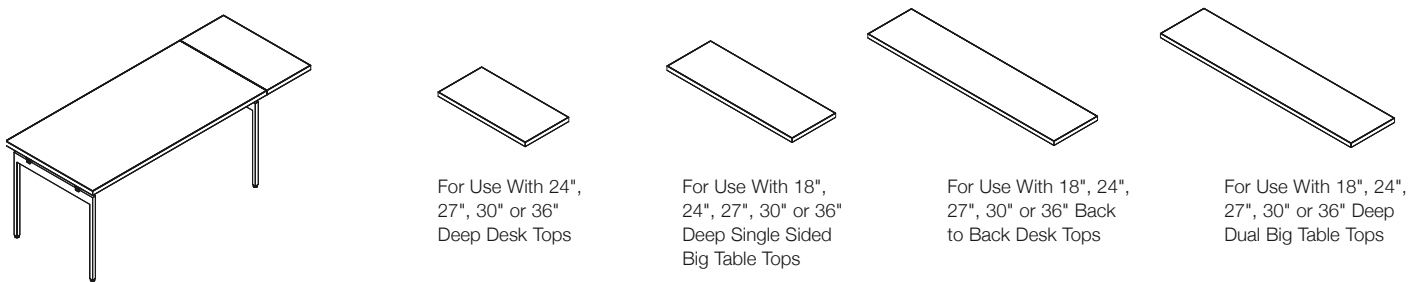
Rectangular with Hinged Access Tops for Big Tables



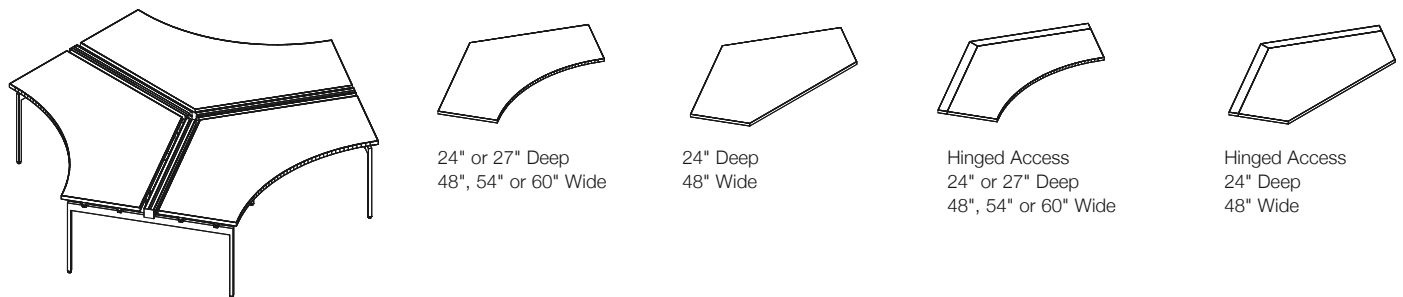
Back Tops for Single Sided Big Table



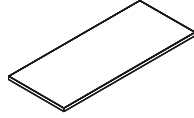
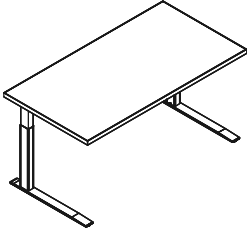
Extension Tops for Desks or Big Tables



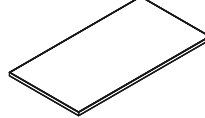
120 Degree Tops for Big Tables



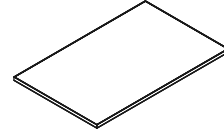
C-Leg and T-Leg Table Tops



24" Deep
36" - 72" Wide

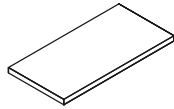
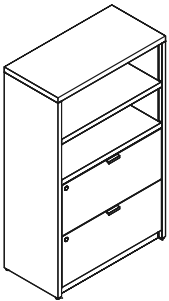


30" Deep
36" - 72" Wide

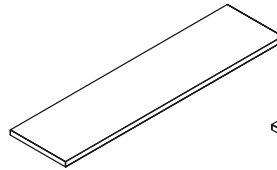


36" Deep
48" - 72" Wide

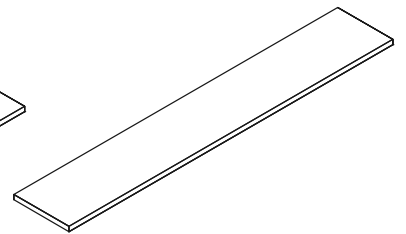
Full Width Template Tops



Single Unit Cases
24" - 48" Wide

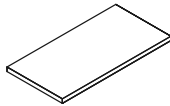
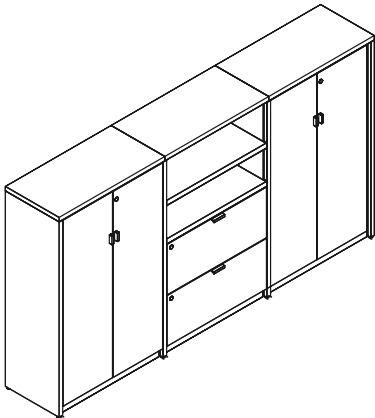


Double Unit Cases
48" - 96" Wide

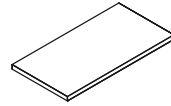


Triple Unit Cases
72" - 96" Wide

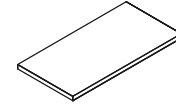
End and Mid Position Template Tops



End Position,
Single Unit Cases
18" - 48" Wide

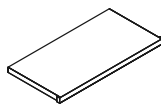
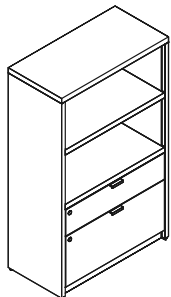


End Position,
Multiple Unit Cases
60" - 96" Wide

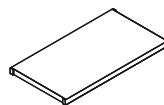


Mid Position
24" - 48" Wide

Template Worksurface Shelves



Single-Sided
18" - 72" Wide



Dual-Sided
18" - 72" Wide

Tops

Tops for Antenna Workspaces are the central element in any type of planning. Tops are available in two types: Antenna tops, in laminate or veneer, and Overlay tops, in laminate or veneer top surface with solid wood edge.

Antenna Tops

Antenna tops are designed in straightforward rectangular shapes optimized for stand-alone applications as well as linking side by side or at right angles, or in big tables. Tops are universal in application as tables, desks, returns, or bridges.

Tops for desks or tables are full dimension, 18", 24", 27", 30", 36", 42" and 48" depths, and available in every 6" increment of width from 30"-96". 18" deep tops are for return or bridge applications. Tops 18"-36" deep in widths from 48"-84" can also be planned in big table applications.

Tops with hinged access are dedicated to big table applications, with a full width or partial 24" wide, 3 3/4" deep hinged section for easy access to outlets and wire management below the center beam. Hinged access tops are available in 18", 24", 27", 30" and 36" overall depths and widths from 48"-84" in all 6" increments.

Back tops are specified for single sided big tables. They are 7.5" deep and match desk widths in 6" increments from 48"-84". Back tops are supported by a single rail on the other side of the center beam from the primary top.

Extension tops plan at the end of a desk, back to back desks or big table. They are 15" wide and match desks 24", 27", 30" or 36" deep. Extension tops for back to back desks are 15" wide and match tops 18", 24", 27", 30" or 36" deep with overall depths of 39-3/4", 51 3/4", 57 3/4", 63 3/4" or 75 3/4". Extension tops for dual big tables are 15" or 18" wide and match overall dual big table depths of 41 1/2", 53 1/2", 59 1/2", 65 1/2" and 77 1/2". Extension tops 15" wide are also available for single sided 18", 24", 27", 30" or 36" deep big tables with overall depth of 31", 37", 40", 43", or 49". Extension tops can be planned in the same or contrasting surface finish as adjacent laminate or veneer tops. Desk and big table connector kits and rails 12" wider than the adjacent top are needed for 15" wide extension top, or 15" wider for 18" wide extension top.

Construction

Antenna tops are nominal 1 3/16" thick with a laminate or veneer surface finish.

Laminate tops have a laminate top surface with an FSC-certified particle board core and a neutral tone backer sheet for balanced construction. Edges can match the top

or contrast in color, in 2.8mm ABS with 2.4mm radius top and bottom edges.

Front and back edges overlap ends with a 2.4 mm radius on outside corners. Acrylonitrile Butadiene Styrene (ABS) is a polymer used as an alternative to PVC and rubber. It is phthalate-free, flame retardant, has high heat and impact resistance, good processability, dimensional stability and high gloss.

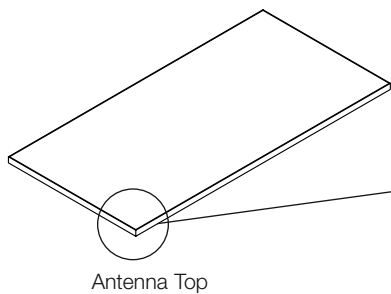
Techwood and natural veneer tops have a veneer top surface, an FSC-certified particle board core and a neutral tone backer sheet for balanced construction. Veneer tops have matching finish 2.0mm solid veneer edges on all sides. Top and bottom edges have a 2.0mm radius. Veneer grain direction is parallel to front edge on desk tops, and parallel to end on extension tops.

All tops have pilot holes for the two most common mounting conditions for desk legs and return connections: legs inset 1 1/2" or 5 1/2" from the both ends of the top.

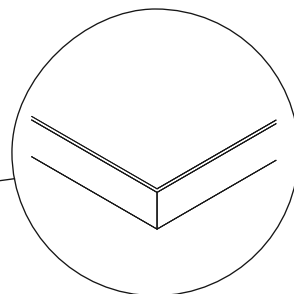
Specification Options

Tops available in any Knoll core laminate or veneer finish. For laminate tops, specify edgeband to match any Knoll core laminate. For veneer tops, edge must match top.

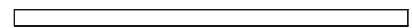
Laminate tops with centered hinged access door must specify a solid color laminate for the door. Edge finish for the door defaults to the edge finish selected for the top.



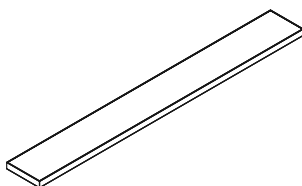
Antenna Top



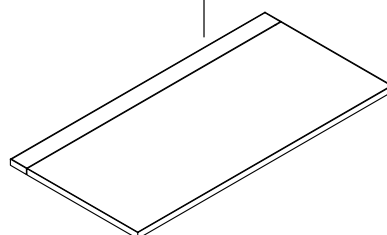
3 3/4" Hinged Access



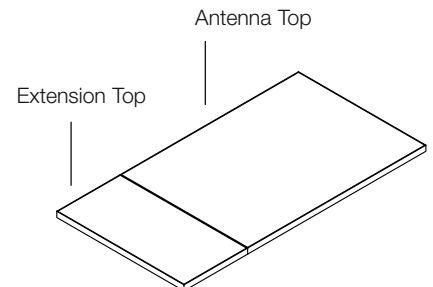
Antenna Top End Elevation



Back Top for Single Sided Big Table



Antenna Hinged Access Top

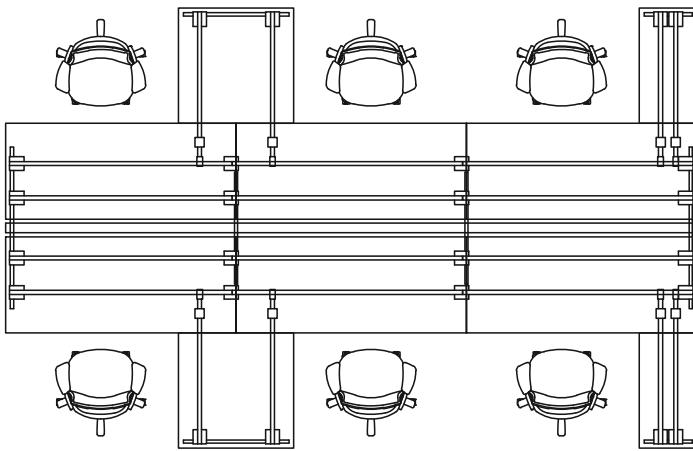


Antenna Desk Top with Extension Top

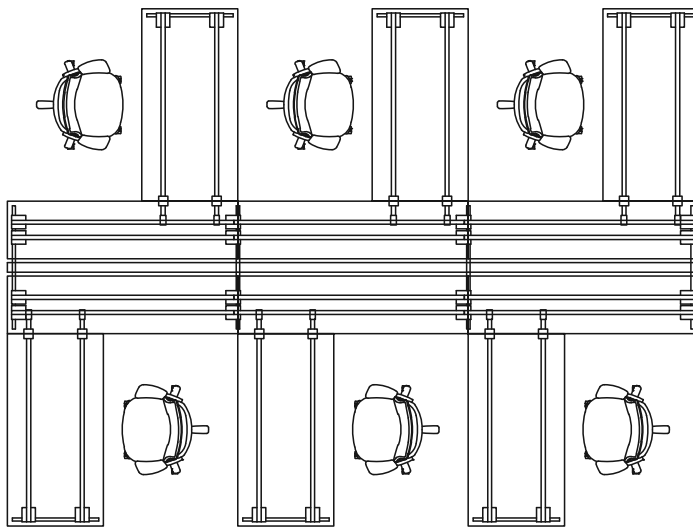
Return Top Applications

Antenna tops of any depth can serve as returns for desks or big tables at any point. For example 36", 42" or 48" deep tops can be a cost-effective shared return centered on adjacent linked desks or big table tops. These can be supported by a single pair of return rails and a desk end leg or table desk end leg.

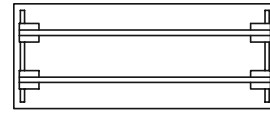
In another type of planning, 27" or 30" deep tops can become individual, primary desk surfaces as returns off of a 24" deep big table "spine".



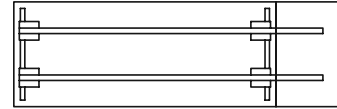
30" Deep Dual Sided Big Table with Returns as Secondary Workspaces



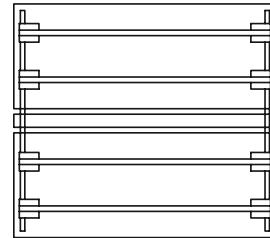
18" Deep Dual Sided Big Table with Returns as Primary Workspaces



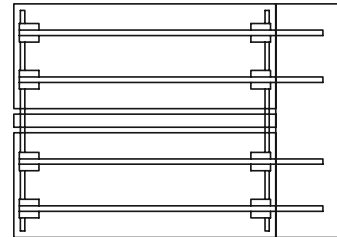
Rectangular Table



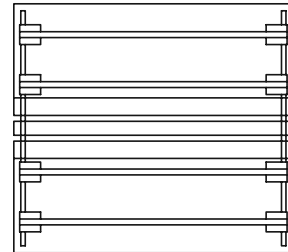
Rectangular Desk with Extension Top



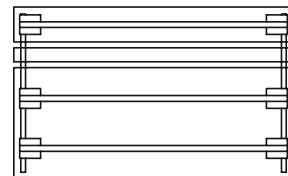
Dual Sided Big Table



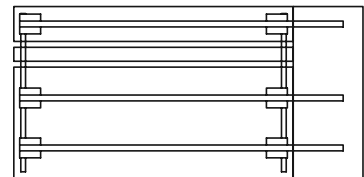
Dual Sided Big Table with Extension Top



Dual Sided Big Table with Hinged Access Tops





Single Sided Big Table



Single Sided Big Table with Extension Top

Antenna Tops For Desks or Big Tables

18" and 24" Deep Rectangular

description	w	d	h	pattern no.	Laminate (L)	V1 (V)	V2 (V)	V3 (V)
Antenna Tops, 18" Deep Rectangular 	30"	18"	1 1/4"	YT3018	\$184.	\$419.	\$481.	\$651.
	36"	18"	1 1/4"	YT3618	207.	442.	509.	687.
	42"	18"	1 1/4"	YT4218	240.	467.	537.	724.
	48"	18"	1 1/4"	YT4818	267.	484.	557.	753.
	54"	18"	1 1/4"	YT5418	283.	508.	586.	789.
	60"	18"	1 1/4"	YT6018	308.	533.	614.	826.
	66"	18"	1 1/4"	YT6618	332.	555.	639.	863.
	72"	18"	1 1/4"	YT7218	350.	580.	666.	899.
	78"	18"	1 1/4"	YT7818	376.	602.	693.	936.
	84"	18"	1 1/4"	YT8418	396.	632.	726.	982.
	90"	18"	1 1/4"	YT9018	440.	662.	756.	1,025.
96"	18"	1 1/4"	YT9618	488.	685.	786.	1,060.	
Antenna Tops, 24" Deep Rectangular 	30"	24"	1 1/4"	YT3024	213.	456.	523.	708.
	36"	24"	1 1/4"	YT3624	238.	478.	551.	744.
	42"	24"	1 1/4"	YT4224	272.	503.	579.	780.
	48"	24"	1 1/4"	YT4824	304.	525.	604.	817.
	54"	24"	1 1/4"	YT5424	330.	560.	645.	871.
	60"	24"	1 1/4"	YT6024	355.	596.	686.	927.
	66"	24"	1 1/4"	YT6624	384.	621.	714.	963.
	72"	24"	1 1/4"	YT7224	400.	644.	742.	1,000.
	78"	24"	1 1/4"	YT7824	431.	674.	776.	1,048.
	84"	24"	1 1/4"	YT8424	456.	705.	809.	1,093.
	90"	24"	1 1/4"	YT9024	513.	732.	843.	1,138.
96"	24"	1 1/4"	YT9624	558.	761.	877.	1,183.	

Tops

Ordering Information

Antenna Tops

1. Pattern Number
2. Top Finish
3. Edge Finish (for laminate tops only)

Order Code

Antenna Tops

Example: **YT7824L, 118, 118**

YT	Pattern Number
78	Width
24	Depth
L	Laminate
118	Bright White Top
118	Bright White Edge

Included With

Antenna Tops

Options

Antenna Tops

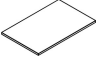

Top Finish Options:

Add an (L) for laminate or (V) for veneer suffix to pattern number.

Specify 18" deep tops for return or bridge applications only.

Antenna Tops For Desks or Big Tables

27" and 30" Deep Rectangular

description	w	d	h	pattern no.	Laminate (L)	V1 (V)	V2 (V)	V3 (V)
Antenna Tops, 27" Deep Rectangular 	30"	27"	1 1/4"	YT3027	\$240.	\$473.	\$544.	\$734.
	36"	27"	1 1/4"	YT3627	267.	503.	579.	780.
	42"	27"	1 1/4"	YT4227	298.	525.	604.	817.
	48"	27"	1 1/4"	YT4827	330.	555.	639.	863.
	54"	27"	1 1/4"	YT5427	367.	591.	680.	917.
	60"	27"	1 1/4"	YT6027	399.	626.	720.	972.
	66"	27"	1 1/4"	YT6627	438.	644.	742.	1,000.
	72"	27"	1 1/4"	YT7227	458.	667.	769.	1,036.
	78"	27"	1 1/4"	YT7827	489.	696.	802.	1,083.
	84"	27"	1 1/4"	YT8427	519.	726.	835.	1,129.
	90"	27"	1 1/4"	YT9027	569.	761.	877.	1,183.
96"	27"	1 1/4"	YT9627	616.	792.	912.	1,229.	
Antenna Tops, 30" Deep Rectangular 	30"	30"	1 1/4"	YT3030	267.	497.	571.	771.
	36"	30"	1 1/4"	YT3630	294.	533.	614.	826.
	42"	30"	1 1/4"	YT4230	321.	550.	632.	853.
	48"	30"	1 1/4"	YT4830	355.	591.	680.	917.
	54"	30"	1 1/4"	YT5430	404.	626.	720.	972.
	60"	30"	1 1/4"	YT6030	444.	662.	760.	1,027.
	66"	30"	1 1/4"	YT6630	495.	674.	776.	1,048.
	72"	30"	1 1/4"	YT7230	513.	697.	802.	1,083.
	78"	30"	1 1/4"	YT7830	549.	726.	835.	1,129.
	84"	30"	1 1/4"	YT8430	583.	756.	870.	1,175.
	90"	30"	1 1/4"	YT9030	626.	792.	912.	1,229.
96"	30"	1 1/4"	YT9630	671.	821.	943.	1,275.	

Ordering Information

Antenna Tops

1. Pattern Number
2. Top Finish
3. Edge Finish (for laminate tops only)

Order Code

Antenna Tops

Example: **YT7827L, 118, 118**

YT	Pattern Number
78	Width
27	Depth
L	Laminate
118	Bright White Top
118	Bright White Edge

Included With

Antenna Tops

Options

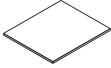
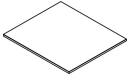
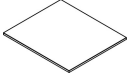
Antenna Tops

Top Finish Options:

Add an (L) for laminate or (V) for veneer suffix to pattern number.

Antenna Tops For Desks or Big Tables

36", 42" and 48" Deep Rectangular

description	w	d	h	pattern no.	Laminate (L)	V1 (V)	V2 (V)	V3 (V)
Antenna Tops, 36" Deep Rectangular 	30"	36"	1 1/4"	YT3036	\$291.	\$533.	\$614.	\$826.
	36"	36"	1 1/4"	YT3636	323.	567.	652.	880.
	42"	36"	1 1/4"	YT4236	352.	602.	693.	936.
	48"	36"	1 1/4"	YT4836	389.	638.	734.	990.
	54"	36"	1 1/4"	YT5436	442.	674.	776.	1,048.
	60"	36"	1 1/4"	YT6036	489.	710.	816.	1,101.
	66"	36"	1 1/4"	YT6636	544.	745.	856.	1,155.
	72"	36"	1 1/4"	YT7236	564.	780.	897.	1,212.
	78"	36"	1 1/4"	YT7836	602.	816.	938.	1,266.
	84"	36"	1 1/4"	YT8436	641.	851.	979.	1,321.
	90"	36"	1 1/4"	YT9036	688.	887.	1,020.	1,376.
96"	36"	1 1/4"	YT9636	739.	916.	1,054.	1,422.	
Antenna Tops, 42" Deep Rectangular 	42"	42"	1 1/4"	YT4242	381.	647.	745.	1,005.
	84"	42"	1 1/4"	YT8442	706.	915.	1,053.	1,421.
Antenna Tops, 48" Deep Rectangular 	30"	48"	1 1/4"	YT3048	338.	616.	708.	955.
	36"	48"	1 1/4"	YT3648	372.	644.	742.	1,000.
	42"	48"	1 1/4"	YT4248	408.	691.	795.	1,072.
	48"	48"	1 1/4"	YT4848	468.	732.	843.	1,138.
	54"	48"	1 1/4"	YT5448	533.	775.	893.	1,204.
	60"	48"	1 1/4"	YT6048	588.	816.	938.	1,266.
	66"	48"	1 1/4"	YT6648	652.	856.	986.	1,331.
	72"	48"	1 1/4"	YT7248	679.	897.	1,031.	1,394.
	78"	48"	1 1/4"	YT7848	723.	938.	1,079.	1,455.
	84"	48"	1 1/4"	YT8448	769.	979.	1,126.	1,519.
	90"	48"	1 1/4"	YT9048	827.	1,020.	1,173.	1,582.
96"	48"	1 1/4"	YT9648	887.	1,054.	1,212.	1,636.	

Tops

Ordering Information

Antenna Tops

1. Pattern Number
2. Top Finish
3. Edge Finish (for laminate tops only)

Order Code

Antenna Tops

Example: **YT7836L, 118, 118**

YT	Pattern Number
78	Width
36	Depth
L	Laminate
118	Bright White Top
118	Bright White Edge

Included With

Antenna Tops

Options

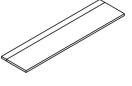
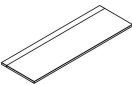
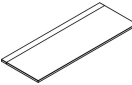
Antenna Tops

Top Finish Options:

Add an (L) for laminate or (V) for veneer suffix to pattern number.

Antenna Hinged Access Tops for Big Tables

18", 24" and 27" Deep Rectangular

description	w	d	h	pattern no.	Laminate (L)	V1 (V)	V2 (V)	V3 (V)
Antenna Big Table Tops with Hinged Access, 18" Deep 	48"	18"	1 1/4"	YTH4818	\$611.	\$829.	\$901.	\$1,097.
	54"	18"	1 1/4"	YTH5418	627.	852.	930.	1,133.
	60"	18"	1 1/4"	YTH6018	652.	877.	958.	1,170.
	66"	18"	1 1/4"	YTH6618	676.	899.	984.	1,208.
	72"	18"	1 1/4"	YTH7218	694.	924.	1,010.	1,243.
	78"	18"	1 1/4"	YTH7818	720.	946.	1,038.	1,280.
	84"	18"	1 1/4"	YTH8418	741.	976.	1,070.	1,326.
Antenna Big Table Tops with Hinged Access, 24" Deep 	48"	24"	1 1/4"	YTH4824	613.	833.	959.	1,294.
	54"	24"	1 1/4"	YTH5424	637.	869.	999.	1,348.
	60"	24"	1 1/4"	YTH6024	663.	903.	1,039.	1,404.
	66"	24"	1 1/4"	YTH6624	691.	928.	1,067.	1,441.
	72"	24"	1 1/4"	YTH7224	709.	951.	1,095.	1,477.
	78"	24"	1 1/4"	YTH7824	737.	981.	1,129.	1,523.
	84"	24"	1 1/4"	YTH8424	761.	1,010.	1,162.	1,568.
Antenna Big Table Tops with Hinged Access, 27" Deep 	48"	27"	1 1/4"	YTH4827	637.	863.	993.	1,339.
	54"	27"	1 1/4"	YTH5427	674.	898.	1,032.	1,395.
	60"	27"	1 1/4"	YTH6027	708.	934.	1,073.	1,448.
	66"	27"	1 1/4"	YTH6627	747.	951.	1,095.	1,477.
	72"	27"	1 1/4"	YTH7227	763.	975.	1,122.	1,513.
	78"	27"	1 1/4"	YTH7827	797.	1,005.	1,155.	1,560.
	84"	27"	1 1/4"	YTH8427	826.	1,033.	1,189.	1,605.

Ordering Information

Antenna Big Table Tops

1. Pattern Number
2. Top Finish
3. Edge Finish
(for laminate tops only)
4. Paint Finish

Order Code

Antenna Big Table Tops

Example: **YTH7827L, 118, 118, 118T**

YT	Pattern Number
H	Hinged Access
78	Width
27	Depth
L	Laminate
118	Bright White Top
118	Bright White Edge
118T	Bright White Paint

Included With

Antenna Big Table Tops

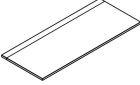
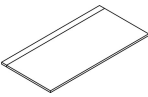
Options

Antenna Big Table Tops

Top Finish Options:
Add an (L) for laminate or (V) for veneer suffix to pattern number.

Antenna Hinged Access Tops for Big Tables

30" and 36" Deep Rectangular

description	w	d	h	pattern no.	Laminate (L)	V1 (V)	V2 (V)	V3 (V)
Antenna Big Table Tops with Hinged Access, 30" Deep 	48"	30"	1 1/4"	YTH4830	\$663.	\$898.	\$1,032.	\$1,395.
	54"	30"	1 1/4"	YTH5430	711.	934.	1,073.	1,448.
	60"	30"	1 1/4"	YTH6030	752.	969.	1,114.	1,505.
	66"	30"	1 1/4"	YTH6630	801.	987.	1,134.	1,532.
	72"	30"	1 1/4"	YTH7230	821.	1,005.	1,155.	1,560.
	78"	30"	1 1/4"	YTH7830	855.	1,033.	1,189.	1,605.
	84"	30"	1 1/4"	YTH8430	891.	1,063.	1,223.	1,651.
Antenna Big Table Tops with Hinged Access, 36" Deep 	48"	36"	1 1/4"	YTH4836	769.	1,017.	1,113.	1,369.
	54"	36"	1 1/4"	YTH5436	821.	1,053.	1,154.	1,426.
	60"	36"	1 1/4"	YTH6036	868.	1,088.	1,194.	1,480.
	66"	36"	1 1/4"	YTH6636	923.	1,124.	1,236.	1,534.
	72"	36"	1 1/4"	YTH7236	942.	1,159.	1,276.	1,590.
	78"	36"	1 1/4"	YTH7836	981.	1,194.	1,316.	1,645.
	84"	36"	1 1/4"	YTH8436	1,019.	1,230.	1,357.	1,700.

Tops

Ordering Information

Antenna Tops

1. Pattern Number
2. Top Finish
3. Edge Finish
(for laminate tops only)
4. Paint Finish

Order Code

Antenna Tops

Example: **YTH7830L, 118, 118, 118T**

YT	Pattern Number
H	Hinged Access
78	Width
30	Depth
L	Laminate
118	Bright White Top
118	Bright White Edge
118T	Bright White Paint

Included With

Antenna Tops

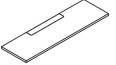
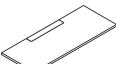
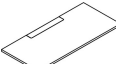
Options

Antenna Tops

Top Finish Options:

Add an (L) for laminate or (V) for veneer suffix to pattern number.

Antenna Centered Hinged Access Tops for Big Tables 18", 24" and 27" Deep Rectangular

description	w	d	h	pattern no.	Laminate (L)	V1 (V)	V2 (V)	V3 (V)
Antenna Big Table Tops with Centered Hinged Access, 18" Deep 	48"	18"	1 1/4"	YTD4818	\$611.	\$829.	\$901.	\$1,097.
	54"	18"	1 1/4"	YTD5418	627.	852.	930.	1,133.
	60"	18"	1 1/4"	YTD6018	652.	877.	958.	1,170.
	66"	18"	1 1/4"	YTD6618	676.	899.	984.	1,208.
	72"	18"	1 1/4"	YTD7218	694.	924.	1,010.	1,243.
	78"	18"	1 1/4"	YTD7818	720.	946.	1,038.	1,280.
	84"	18"	1 1/4"	YTD8418	741.	976.	1,070.	1,326.
Antenna Big Table Tops with Centered Hinged Access, 24" Deep 	48"	24"	1 1/4"	YTD4824	613.	833.	959.	1,294.
	54"	24"	1 1/4"	YTD5424	637.	869.	999.	1,348.
	60"	24"	1 1/4"	YTD6024	663.	903.	1,039.	1,404.
	66"	24"	1 1/4"	YTD6624	691.	928.	1,067.	1,441.
	72"	24"	1 1/4"	YTD7224	709.	951.	1,095.	1,477.
	78"	24"	1 1/4"	YTD7824	737.	981.	1,129.	1,523.
	84"	24"	1 1/4"	YTD8424	761.	1,010.	1,162.	1,568.
Antenna Big Table Tops with Centered Hinged Access, 27" Deep 	48"	27"	1 1/4"	YTD4827	637.	863.	993.	1,339.
	54"	27"	1 1/4"	YTD5427	674.	898.	1,032.	1,395.
	60"	27"	1 1/4"	YTD6027	708.	934.	1,073.	1,448.
	66"	27"	1 1/4"	YTD6627	747.	951.	1,095.	1,477.
	72"	27"	1 1/4"	YTD7227	763.	975.	1,122.	1,513.
	78"	27"	1 1/4"	YTD7827	797.	1,005.	1,155.	1,560.
	84"	27"	1 1/4"	YTD8427	826.	1,033.	1,189.	1,605.

Ordering Information

Antenna Big Table Tops

1. Pattern Number
2. Top Finish
3. Door Finish
(for laminate tops only)
4. Edge Finish
(for laminate tops only)
5. Paint Finish

Order Code

Antenna Big Table Tops

Example: **YTD7827L, 118, 118, 118, 118T**

YT	Pattern Number
D	Centered Hinged Access
78	Width
27	Depth
L	Laminate
118	Bright White Top
118	Bright White Door
118	Bright White Edge
118T	Bright White Paint

Included With

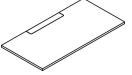
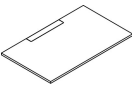
Antenna Big Table Tops

Options

Antenna Big Table Tops

Top Finish Options:
Add an (L) for laminate or (V) for veneer suffix to pattern number.

Antenna Centered Hinged Access Tops for Big Tables 30" and 36" Deep Rectangular

description	w	d	h	pattern number	Laminate (L)	V1 (V)	V2 (V)	V3 (V)
Antenna Big Table Tops with Centered Hinged Access, 30" Deep 	48"	30"	1 1/4"	YTD4830	\$663.	\$898.	\$1,032.	\$1,395.
	54"	30"	1 1/4"	YTD5430	711.	934.	1,073.	1,448.
	60"	30"	1 1/4"	YTD6030	752.	969.	1,114.	1,505.
	66"	30"	1 1/4"	YTD6630	801.	987.	1,134.	1,532.
	72"	30"	1 1/4"	YTD7230	821.	1,005.	1,155.	1,560.
	78"	30"	1 1/4"	YTD7830	855.	1,033.	1,189.	1,605.
	84"	30"	1 1/4"	YTD8430	891.	1,063.	1,223.	1,651.
Antenna Big Table Tops with Centered Hinged Access, 36" Deep 	48"	36"	1 1/4"	YTD4836	769.	1,017.	1,113.	1,369.
	54"	36"	1 1/4"	YTD5436	821.	1,053.	1,154.	1,426.
	60"	36"	1 1/4"	YTD6036	868.	1,088.	1,194.	1,480.
	66"	36"	1 1/4"	YTD6636	923.	1,124.	1,236.	1,534.
	72"	36"	1 1/4"	YTD7236	942.	1,159.	1,276.	1,590.
	78"	36"	1 1/4"	YTD7836	981.	1,194.	1,316.	1,645.
	84"	36"	1 1/4"	YTD8436	1,019.	1,230.	1,357.	1,700.

Tops

Ordering Information

Antenna Big Table Tops

1. Pattern Number
2. Top Finish
3. Door Finish
(for laminate tops only)
4. Edge Finish
(for laminate tops only)
5. Paint Finish

Order Code

Antenna Big Table Tops

Example: **YTD7827L, 118, 118, 118, 118T**

YT	Pattern Number
D	Centered Hinged Access
78	Width
27	Depth
L	Laminate
118	Bright White Top
118	Bright White Door
118	Bright White Edge
118T	Bright White Paint

Included With

Antenna Big Table Tops

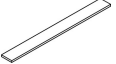
Options

Antenna Big Table Tops

Top Finish Options:
Add an (L) for laminate or (V) for veneer suffix to pattern number.

Antenna Back Tops for Single Sided Big Tables

7.5" Deep Rectangular

description	w	d	pattern no.	Laminate (L)	V1 (V)	V2 (V)	V3 (V)
Antenna Back Tops for Single Sided Big Tables, 7.5" Deep 	48"	7.5"	YT4808	\$187.	\$370.	\$425.	\$552.
	54"	7.5"	YT5408	199.	385.	442.	576.
	60"	7.5"	YT6008	232.	420.	484.	628.
	66"	7.5"	YT6608	239.	428.	492.	641.
	72"	7.5"	YT7208	248.	436.	502.	651.
	78"	7.5"	YT7808	253.	442.	509.	662.
	84"	7.5"	YT8408	260.	481.	554.	719.

Ordering Information

Antenna Tops

1. Pattern Number
2. Top Finish
3. Edge Finish
(for laminate tops only)

Order Code

Antenna Tops

Example: **YT5408L, 118, 118**

YT	Top
54	Width
08	Depth
L	Laminate
118	Bright White Top
118	Bright White Edge

Included With

Antenna Tops

Options

Antenna Tops


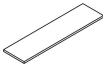



Top Finish Options:

Add an (L) for laminate or (V) for veneer suffix to pattern number.

Antenna Extension Tops for Desks and Big Tables

15" and 18" Wide Rectangular

Antenna Workspaces

description	type	w	d	h	pattern no.	Laminate (L)	V1 (V)	V2 (V)	V3 (V)
Antenna Desk Extension Tops, 15" Wide Rectangular 	For use with 24" deep desk tops	15"	24"	1 1/4"	YTE1524	\$174.	\$331.	\$381.	\$513.
	For use with 27" deep desk tops	15"	27"	1 1/4"	YTE1527	179.	343.	394.	533.
	For use with 30" deep desk tops	15"	30"	1 1/4"	YTE1530	184.	353.	408.	551.
	For use with 36" deep desk tops	15"	36"	1 1/4"	YTE1536	207.	379.	435.	588.
Antenna Back to Back Desk Extension Tops, 15" Wide Rectangular 	For use with 18" deep back to back tops	15"	39 3/4"	1 1/4"	YTE1539	276.	396.	456.	616.
	For use with 24" deep back to back tops	15"	51 3/4"	1 1/4"	YTE1552	318.	445.	512.	691.
	For use with 27" deep back to back tops	15"	57 3/4"	1 1/4"	YTE1558	330.	462.	533.	717.
	For use with 30" deep back to back tops	15"	63 3/4"	1 1/4"	YTE1564	344.	480.	553.	748.
	For use with 36" deep back to back tops	15"	75 3/4"	1 1/4"	YTE1576	355.	489.	555.	792.
Antenna Dual Sided Big Table Extension Tops, 15" Wide Rectangular 	For use with 18" deep dual big table tops	15"	41 1/2"	1 1/4"	YTE1541	276.	396.	456.	616.
	For use with 24" deep dual big table tops	15"	53 1/2"	1 1/4"	YTE1553	318.	445.	512.	691.
	For use with 27" deep dual big table tops	15"	59 1/2"	1 1/4"	YTE1559	330.	462.	533.	717.
	For use with 30" deep dual big table tops	15"	65 1/2"	1 1/4"	YTE1565	344.	480.	553.	748.
	For use with 36" deep dual big table tops	15"	77 1/2"	1 1/4"	YTE1577	355.	489.	555.	792.
Antenna Dual Sided Big Table Extension Tops, 18" Wide Rectangular 	For use with 18" deep dual big table tops	18"	41 1/2"	1 1/4"	YTE1841	283.	475.	547.	737.
	For use with 24" deep dual big table tops	18"	53 1/2"	1 1/4"	YTE1853	327.	536.	613.	831.
	For use with 27" deep dual big table tops	18"	59 1/2"	1 1/4"	YTE1859	361.	557.	639.	863.
	For use with 30" deep dual big table tops	18"	65 1/2"	1 1/4"	YTE1865	371.	580.	661.	896.
	For use with 36" deep dual big table tops	18"	77 1/2"	1 1/4"	YTE1877	392.	590.	678.	939.
Antenna Single Sided Big Table Extension Tops, 15" Wide Rectangular 	For use with 18" deep single big table tops	15"	31"	1 1/4"	YTE1531	183.	406.	466.	604.
	For use with 24" deep single big table tops	15"	37"	1 1/4"	YTE1537	201.	417.	480.	624.
	For use with 27" deep single big table tops	15"	40"	1 1/4"	YTE1540	208.	423.	488.	633.
	For use with 30" deep single big table tops	15"	43"	1 1/4"	YTE1543	212.	462.	531.	690.
	For use with 36" deep single big table tops	15"	49"	1 1/4"	YTE1549	246.	475.	547.	710.

Tops

Ordering Information

Antenna Extension Tops

1. Pattern Number
2. Top Finish
3. Edge Finish
(for laminate tops only)

Order Code

Antenna Extension Tops

Example: **YTE1559L, 118, 118**

YT	Pattern Number
E	Extension
15	Width
59	Depth
L	Laminate
118	Bright White Top
118	Bright White Edge

Included With

Antenna Extension Tops

Options

Antenna Extension Tops

Top Finish Options:

Add an (L) for laminate or (V) for veneer suffix to pattern number.

Antenna dual big tables can be planned in 120 degree configurations with 120 degree Antenna tops, intermediate legs for 120 degree, standard big table end legs, rails, center beams and power components.

120 degree Antenna tops match the straight top edge details for laminate and veneer surfaces. Tops have a curvilinear front edge and are available in 48"x48", 54"x54" and 60"x60" widths 24" and 27" deep. 120 degree corner tops are also available with a straight front edge 48" x 48" in 24" depth only. All tops are available with or without a 3 3/4"D hinged access on each back edge with a mitered joint in the back corner.

When planning with 120 degree tops, an intermediate leg for 120 degree must be specified. The vertical legs are shifted to allow for ample kneespace. The top of the intermediate leg for 120 degree is the same as the big table inset intermediate leg, with two standard cradles for rails, two extended arm cradles and brackets for the center beam between them.

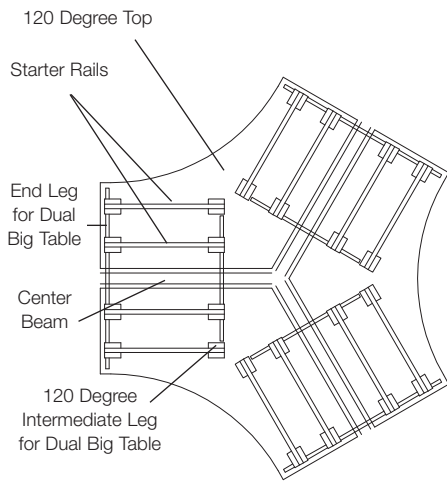
Big table 120 degree planning uses the same components and capabilities as standard straight big table applications: linked modular power components, cable baskets and wire management, center beam mounted screens, storage and monitor arms. Pedestals must be specified as mobile or freestanding with ballast for 120 degree applications.

Basic Triad Planning

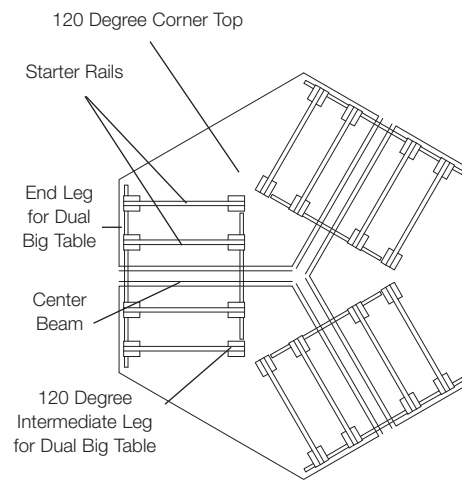
Desk tops are supported by a pair of starter rails parallel to each back edge 15" less wide than top width. Between each 120 degree desk top back edge is a matching 48", 54" or 60" center beam, with three beam end caps at the center of the configuration, as well as on outside conditions. Rails and center beam are supported by an end leg for big table at each outside end and by three 120 degree intermediate legs in the center of the configuration.

Triad Planning with Extension Tops

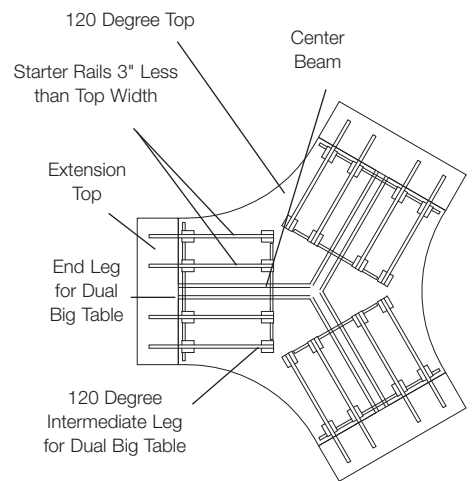
Antenna extension tops can be added at the ends of big table triads in 53" depths for 24" deep 120 tops or 59" depths for 27" deep 120 tops. Desk top rails need to be 12" longer to support the 15"W extension tops, so starter rails are 3" less than the 120 top widths. For example, specify 45" wide starter rails for 15"W extension tops planned outside the end of a triad of 48" wide 120 degree tops. Desk top rails need to be 15" longer to support 18"W extension tops, so starter rails are the same as the 120 top widths. Center beam widths remain the same, but the ends of the center beams next to extension tops need partial center beam end caps.



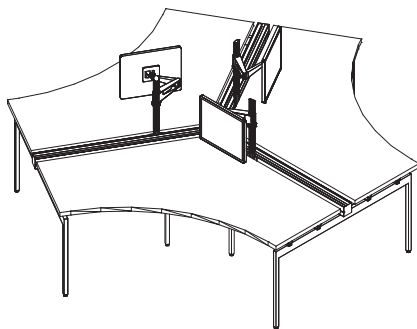
Basic Triad with 120 Degree Tops



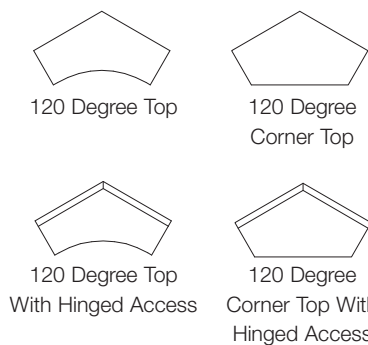
Basic Triad with 120 Degree Corner Tops



Basic Triad with 120 Degree and Extension Tops



Basic Triad with 120 Degree Tops



Top Width	Starter Rail Length	Extended Rail Length	Center Beam Width
48"	33"	36"	48"
54"	39"	42"	54"
60"	45"	48"	60"

Rail and Center Beam Dimensions for 120 Degree Planning

Triad Planning with Adjacent Rectangular Tops

Rectangular big table tops with a center beam in 48" to 84" widths can extend at the ends of big table triads. Rectangular tops can be supported by matching width extended rails, a big table intermediate leg or inset intermediate leg and a big table end leg.

Dogbone Planning Configurations

When two triads are linked, two end legs can be replaced by a single big table intermediate leg or inset intermediate leg. Two pairs of starter rails for one of the two triads should be changed to extended rails that are 3" longer. All other components are unchanged.

Dogbone configurations can also be linked by straight desk tops and matching width center beams. In this application, the straight tops can be supported by pairs of extended rails matching in width, extended rails under one of the adjacent triads and big table intermediate or inset intermediate legs.

Construction

Antenna tops are nominal 1 3/16" thick with a laminate or veneer surface finish.

Laminate tops have a laminate top surface with an FSC-certified particle board core and a neutral tone backer sheet for balanced construction. Edges can match the top or contrast in color, in 2.8mm ABS with 2.4mm radius top and bottom edges. Front and back edges overlap ends with a 2.4 mm radius on outside corners. Acrylonitrile Butadiene Styrene (ABS) is a polymer used as an alternative to PVC and rubber. It is phthalate-free, flame retardant, has high heat and impact resistance, good processability, dimensional stability and high gloss.

Techwood and natural veneer tops have a veneer top surface, an FSC-certified particle board core and a neutral tone backer sheet for balanced construction. Veneer tops have

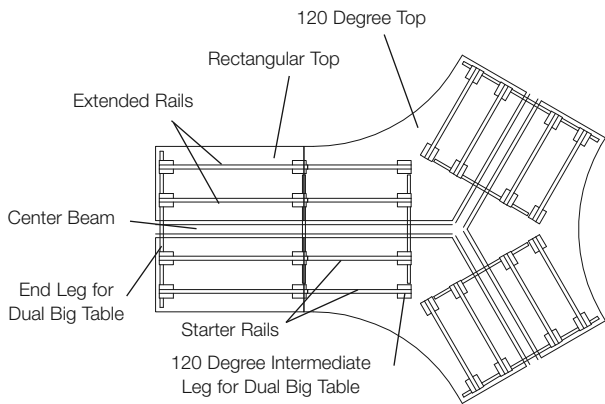
matching finish 2.0mm solid veneer edges on all sides. Top and bottom edges have a 2.0mm radius. Veneer grain direction is parallel to front edge on desk tops, and parallel to end on extension tops. Veneer grain direction on hinged access door is parallel to back edge of desk tops. All tops have pilot holes for the two most common mounting conditions for desk legs and return connections: legs inset 1 1/2" or 5 1/2" from the both ends of the top.

Specification Options

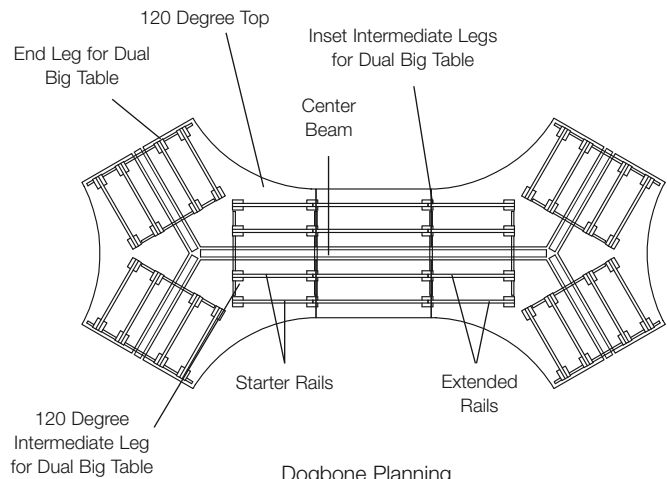
Tops available in any Knoll Core laminate or veneer finish. For laminate tops, specify edgeband to match any Knoll Core laminate.

Laminate tops with centered hinged access door in 120 shape must specify a solid color laminate for the door finish. Edge finish for the door defaults to the edge finish selected for the top.

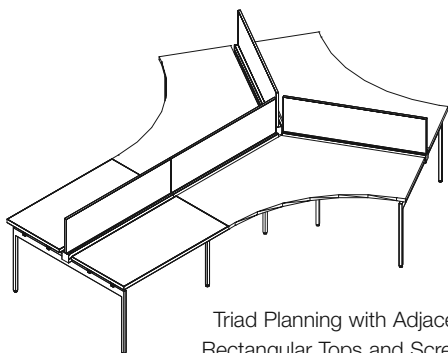
For veneer tops, edge must match top.



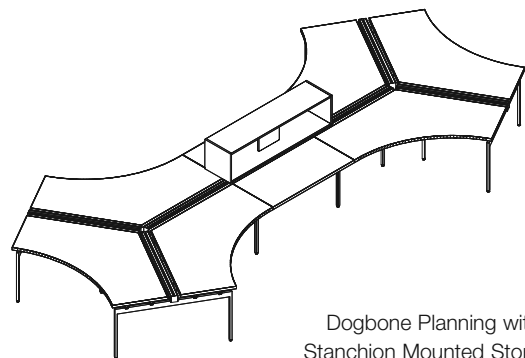
Triad Planning with Adjacent Rectangular Tops



Dogbone Planning

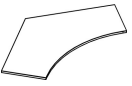
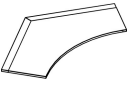
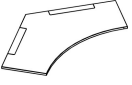
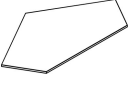
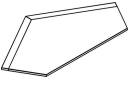
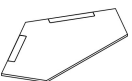


Triad Planning with Adjacent Rectangular Tops and Screens



Dogbone Planning with Stanchion Mounted Storage

Antenna Tops for 120° Planning 24" and 27" Deep

description	w	d	h	pattern no.	Laminate (L)	V1 (V)	V2 (V)	V3 (V)
120° Top 	48"	24"	1 1/4"	YTVC24484824()	\$780.	\$1,721.	\$1,979.	\$2,573.
	48"	27"	1 1/4"	YTVC27484827()	792.	1,749.	2,013.	2,616.
	54"	24"	1 1/4"	YTVC24545424()	832.	1,819.	2,093.	2,720.
	54"	27"	1 1/4"	YTVC27545427()	922.	n/a	n/a	n/a
	60"	24"	1 1/4"	YTVC24606024()	962.	n/a	n/a	n/a
	60"	27"	1 1/4"	YTVC27606027()	977.	n/a	n/a	n/a
120° Top with Hinged Access 	48"	24"	1 1/4"	YTHVC24484824()	1,592.	2,839.	3,264.	4,243.
	48"	27"	1 1/4"	YTHVC27484827()	1,604.	2,871.	3,301.	4,291.
	54"	24"	1 1/4"	YTHVC24545424()	1,647.	2,979.	3,425.	4,453.
	54"	27"	1 1/4"	YTHVC27545427()	1,660.	3,007.	3,459.	4,495.
	60"	24"	1 1/4"	YTHVC24606024()	1,803.	3,081.	3,541.	4,604.
	60"	27"	1 1/4"	YTHVC27606027()	1,818.	n/a	n/a	n/a
120° Top with Centered Hinged Access 	48"	24"	1 1/4"	YTDVC24484824()	1,592.	n/a	n/a	n/a
	48"	27"	1 1/4"	YTDVC27484827()	1,604.	n/a	n/a	n/a
	54"	24"	1 1/4"	YTDVC24545424()	1,647.	n/a	n/a	n/a
	54"	27"	1 1/4"	YTDVC27545427()	1,660.	n/a	n/a	n/a
	60"	24"	1 1/4"	YTDVC24606024()	1,803.	n/a	n/a	n/a
	60"	27"	1 1/4"	YTDVC27606027()	1,818.	n/a	n/a	n/a
120° Corner Top 	48"	24"	1 1/4"	YTVS24484824()	780.	1,681.	1,932.	2,514.
120° Corner Top with Hinged Access 	48"	24"	1 1/4"	YTHVS24484824()	1,592.	2,910.	3,345.	4,350.
120° Corner Top with Centered Hinged Access 	48"	24"	1 1/4"	YTDVS24484824()	1,592.	n/a	n/a	n/a

Ordering Information	Order Code	Included With	Options
Antenna Tops 1. Pattern Number 2. Top Finish 3. Edge Finish (for laminate tops only)	Antenna Tops <i>Example:</i> YTHVC27545427L, 118, 118	Antenna Tops	Antenna Tops Top Finish Options: (L) = Laminate (V) = Veneer
Antenna Top with Centered Hinged Access 1. Pattern Number 2. Top Finish 3. Door Finish 4. Edge Finish 5. Paint Finish	YT Antenna Top H Hinged Access VC 120° 27 Depth 54 Width 54 Width 27 Depth L Laminate 118 Bright White Laminate 118 Bright White Edge 118T Bright White Paint		

Antenna C-Leg and T-Leg tops are designed for use with fixed height and adjustable height C-Leg and T-Leg bases only.

Rectangular tops are full dimension, 24", 30" and 36" depths, and available in every 6" increment of nominal width from 36"- 72". Rectangular top widths are undersized by 3" for blending with other products planning on a standard module.

Construction

Antenna tops are nominal 1 3/16" thick with a laminate or veneer surface finish.

Laminate tops have a laminate top surface with an FSC-certified particle board core and a neutral tone backer sheet for balanced

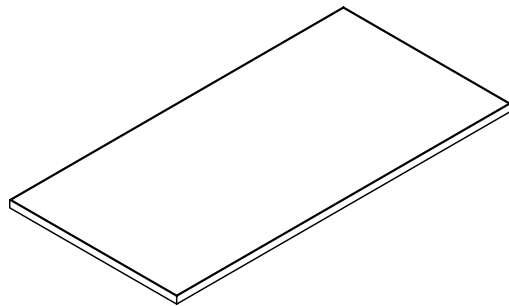
construction. Edges can match the top or contrast in color, in 2.8mm ABS with 2.4mm radius top and bottom edges. Front and back edges overlap ends with a 2.4mm radius on outside corners. Acrylonitrile Butadiene Styrene (ABS) is a polymer used as an alternative to PVC and rubber. It is phthalate-free, flame retardant, has high heat and impact resistance, good processability, dimensional stability and high gloss.

Techwood and natural veneer tops have a veneer top surface, an FSC-certified particle board core and a neutral tone backer sheet for balanced construction. Veneer tops have matching finish 2.0mm solid veneer edges on all sides. Top and bottom edges a 2.0mm

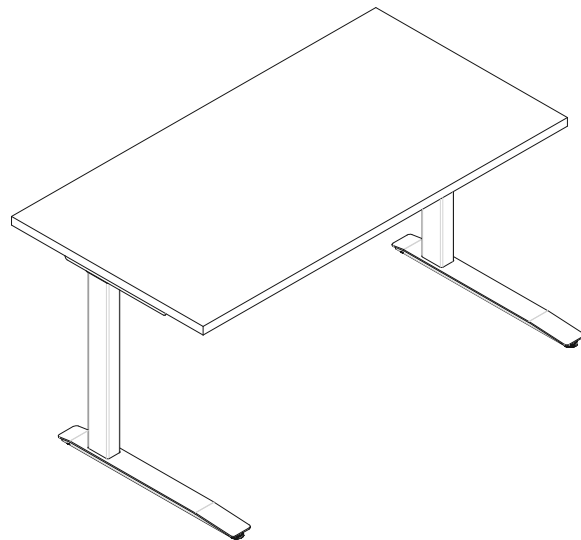
radius. Veneer grain direction is parallel to front edge of top. All tops have pre-drilled pilot holes for use with corresponding depth fixed or height adjustable C-Leg or T-Leg bases to create freestanding tables.

Specification Options

Tops available in any Knoll core laminate or veneer finish. For laminate tops, specify edgeband to match and Knoll core laminate. For veneer tops, edge must match top.



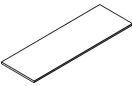
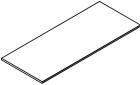
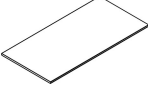

Antenna C-Leg or T-Leg Top



30"D x 60"W C-Leg Fixed Height Table

Antenna Tops For C-Leg and T-Leg Tables

24", 30", 36" Deep Rectangular and 120°

description	type	w*	w	d	h	pattern no.	Laminate (L)	V1 (V)	V2 (V)	V3 (V)		
Antenna C-Leg Tops, 24" Deep 	For use with 24"D C-Leg base	36"	33"	24"	1 1/4"	YT3324()	\$238.	\$478.	\$551.	\$744.		
		42"	39"	24"	1 1/4"	YT3924()	272.	503.	579.	780.		
		48"	45"	24"	1 1/4"	YT4524()	304.	525.	604.	817.		
		54"	51"	24"	1 1/4"	YT5124()	330.	560.	645.	871.		
		60"	57"	24"	1 1/4"	YT5724()	355.	596.	686.	927.		
		66"	63"	24"	1 1/4"	YT6324()	384.	621.	714.	963.		
		72"	69"	24"	1 1/4"	YT6924()	400.	644.	742.	1,000.		
Antenna C-Leg and T-Leg Tops, 30" Deep 	For use with 30"D C-Leg or T-Leg base	48"	45"	30"	1 1/4"	YT4530()	355.	591.	680.	917.		
		54"	51"	30"	1 1/4"	YT5130()	404.	626.	720.	972.		
		60"	57"	30"	1 1/4"	YT5730()	444.	662.	760.	1,027.		
		66"	63"	30"	1 1/4"	YT6330()	495.	674.	776.	1,048.		
		72"	69"	30"	1 1/4"	YT6930()	513.	697.	802.	1,083.		
	For use with 30"D C-Leg base	36"	33"	30"	1 1/4"	YT3330()	294.	533.	614.	826.		
		42"	39"	30"	1 1/4"	YT3930()	321.	550.	632.	853.		
		Antenna T-Leg Tops, 36" Deep 	For use with 30"D T-Leg base	48"	45"	36"	1 1/4"	YT4536()	389.	638.	734.	990.
				54"	51"	36"	1 1/4"	YT5136()	442.	674.	776.	1,048.
				60"	57"	36"	1 1/4"	YT5736()	489.	710.	816.	1,101.
66"	63"			36"	1 1/4"	YT6336()	544.	745.	856.	1,155.		
72"	69"			36"	1 1/4"	YT6936()	564.	780.	897.	1,212.		
Antenna C-Leg 120° Tops 	For use with 120° base	48"	46 1/2"	24"	1 1/4"	YTY4624()	780.	1,721.	1,979.	2,573.		
		48"	46 1/2"	27"	1 1/4"	YTY4627()	792.	1,749.	2,013.	2,616.		
		54"	52 1/2"	24"	1 1/4"	YTY5224()	832.	1,819.	2,093.	2,720.		
		54"	52 1/2"	27"	1 1/4"	YTY5227()	922.	n/a	n/a	n/a		
		60"	58 1/2"	24"	1 1/4"	YTY5824()	929.	n/a	n/a	n/a		
		60"	58 1/2"	27"	1 1/4"	YTY5827()	977.	n/a	n/a	n/a		

w* = nominal width

Ordering Information	Order Code	Included With	Options
Antenna Tops 1. Pattern Number 2. Top Finish 3. Edge Finish (for laminate tops only)	Antenna Tops <i>Example: YT5730L, 118, 118</i> YT Top 57 Width 30 Depth L Laminate 118 Bright White Laminate 118 Bright White Edge	Antenna Tops	Antenna Tops Top Finish Options: Add an (L) for laminate or (V) for veneer suffix to pattern number.

Antenna tops and worksurface shelves for use with the Template Storage System are designed to match the front edge material, profile and thickness of Antenna desk and table tops.

Antenna Tops for the Template Storage System

Antenna wood tops for Template are fastened to the top of end and mid panels for credenza or worksurface height Template units. Tops vary in width from 15"-96", based on the number of mid panels in a linked cluster of Template units. Tops are application specific because Template tops are full width for a single unit and are 1" shorter for each shared mid panel within multiple unit configurations.

Full width tops are 15" deep in 24", 30", 36", 42" and 48" widths for single unit cases.

For two position cases, with one shared mid panel, full width tops are available 1" less wide than nominal widths from 48"-96" in every 6" increment. For three position cases, with two mid panels, full width tops are available 2" less than nominal 72"-96" widths in 6" increments.

Antenna end position tops are available for end positions of multiple unit Template configurations. End position tops are 1/2" less than nominal widths, so one end of the top ends in the middle of a mid panel. For mid position applications within multiple unit cases, Antenna tops are available 1" less than nominal widths.

Both ends of a middle position top end in the middle of mid panels. End and mid position tops are designed to cover single Template section widths occurring at either the end or middle of a run.

Worksurface Shelves for the Template Storage System

Worksurface shelves are required above Template box or file drawer inserts or when attaching Antenna desk tops to Template storage units. Antenna worksurface shelves match the front edge radius and material of Antenna tops.

Worksurface shelves are available in two types: single sided and dual sided. Single sided shelves are detailed to fit flush to the front edge of the end or mid panels, with a back edge dimensioned to provide a wire drop or space for a tackable insert inside the back panel. Dual sided shelves fit flush to both the front and back edges of end or mid panels, which creates an open pass through the Template unit.

Worksurface shelves are available in every 6" increment of nominal width from 18"-48" plus 60" and 72" widths. Actual overall dimension is 2" less than nominal width.

For standard Template shelves with Template design details, specify shelves in metal, laminate or veneer.

Construction

Antenna tops are nominal 1 3/16" thick with laminate or veneer surface finish.

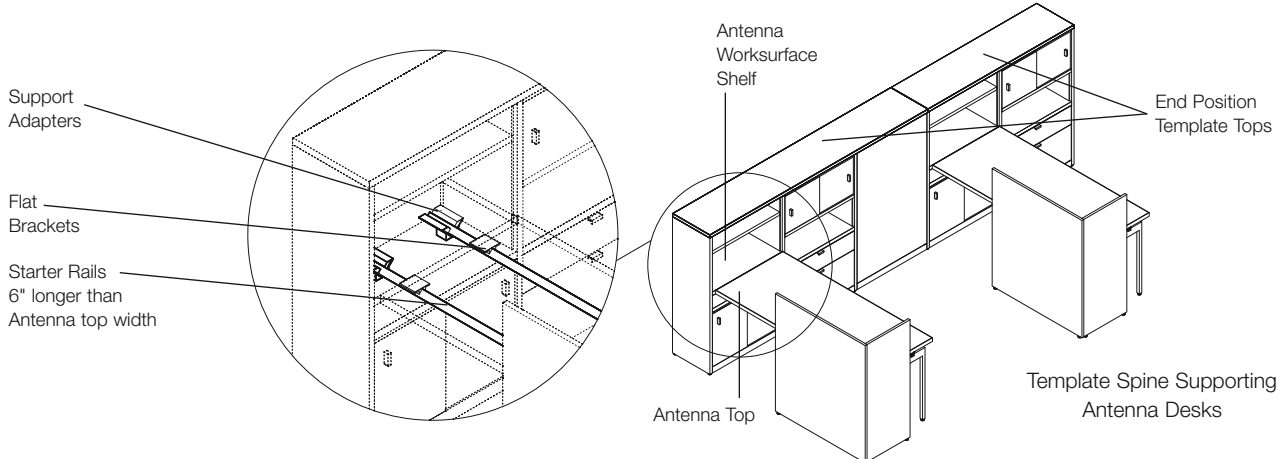
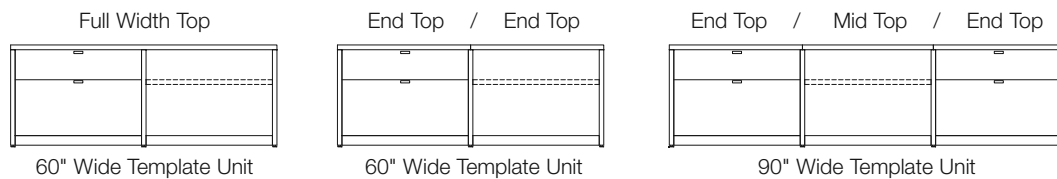
Laminate tops have a laminate top surface with an FSC-certified particle board core and a neutral tone backer sheet for balanced construction. Edges can match the top or contrast in color in 2.8mm ABS with 2.4mm radius top and bottom edges. Front and back edges overlap ends with a 2.4 mm radius on outside corners.

Acrylonitrile Butadiene Styrene (ABS) is a polymer used as an alternative to PVC and rubber. It is phthalate-free, flame retardant, has high heat and impact resistance, good processability, dimensional stability and high gloss.

Techwood and natural veneer tops have a veneer top surface with an FSC-certified particle board core and a neutral tone backer sheet for balanced construction. Veneer tops have matching finish 2.0mm solid veneer edges on all sides. Top and bottom edges have a 2.0mm radius. Veneer grain direction is parallel to front edge.

Specifications Options

Tops or worksurface shelf surfaces are available in any Knoll core laminate or veneer. For laminate tops and shelves, specify edgeband to match any Knoll core laminate. For veneer tops and shelves, edge must match top.

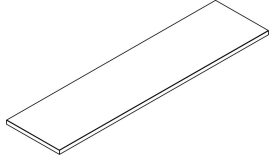


Antenna Tops and Worksurface Shelves for Template

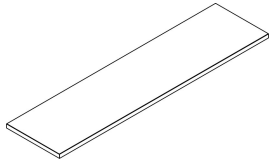
Full Width Tops

For Credenza or Worksurface Height Units

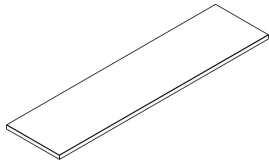
description	type	w	d	h	pattern no.	Laminate (L)	V1 (V)	V2 (V)	V3 (V)
Full Width Antenna Tops for Template, Single Unit Cases	24"W unit	24"	15"	1 1/4"	YTT24	\$174.	\$319.	\$368.	\$496.
	30"W unit	30"	15"	1 1/4"	YTT30	184.	338.	387.	522.
	36"W unit	36"	15"	1 1/4"	YTT36	207.	353.	408.	551.
	42"W unit	42"	15"	1 1/4"	YTT42	240.	373.	430.	581.
	48"W unit	48"	15"	1 1/4"	YTT48	267.	387.	445.	600.



Full Width Antenna Tops for Template, Double Unit Cases	48"W unit	47"	15"	1 1/4"	YTT47	267.	387.	445.	600.
	54"W unit	53"	15"	1 1/4"	YTT53	283.	426.	489.	661.
	60"W unit	59"	15"	1 1/4"	YTT59	308.	444.	510.	690.
	66"W unit	65"	15"	1 1/4"	YTT65	332.	464.	534.	719.
	72"W unit	71"	15"	1 1/4"	YTT71	350.	481.	554.	749.
	78"W unit	77"	15"	1 1/4"	YTT77	376.	506.	582.	785.
	84"W unit	83"	15"	1 1/4"	YTT83	396.	529.	608.	822.
	90"W unit	89"	15"	1 1/4"	YTT89	440.	549.	631.	851.
	96"W unit	95"	15"	1 1/4"	YTT95	488.	567.	652.	880.



Full Width Antenna Tops for Template, Triple Unit Cases	72"W unit	70"	15"	1 1/4"	YTT70	350.	481.	554.	749.
	78"W unit	76"	15"	1 1/4"	YTT76	376.	506.	582.	785.
	84"W unit	82"	15"	1 1/4"	YTT82	396.	529.	608.	822.
	90"W unit	88"	15"	1 1/4"	YTT88	440.	549.	631.	851.
	96"W unit	94"	15"	1 1/4"	YTT94	488.	567.	652.	880.



Ordering Information

Antenna Tops for Template

1. Pattern Number
2. Top Finish
3. Edge Finish
(for laminate tops only)

Order Code

Antenna Tops for Template

Example: **YTT36L, 118, 118**

YTT	Template Tops
36	Width
L	Laminate
118	Bright White Top
118	Bright White Edge

Included With

Antenna Tops for Template

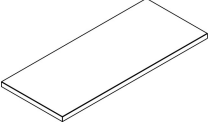
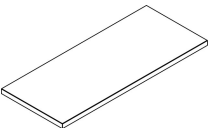
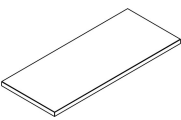
Options

Antenna Tops for Template

Top Finish Options:

Add an (L) for laminate or (V) for veneer suffix to pattern number.

Antenna Tops and Worksurface Shelves for Template End and Mid Position Tops For Credenza or Worksurface Height Units

description	type	w	d	h	pattern no.	Laminate (L)	V1 (V)	V2 (V)	V3 (V)
End Position Antenna Tops for Single Template Units 	18"W unit	17 1/2"	15"	1 1/4"	YTTE18	\$165.	\$302.	\$346.	\$468.
	24"W unit	23 1/2"	15"	1 1/4"	YTTE24	174.	319.	368.	496.
	30"W unit	29 1/2"	15"	1 1/4"	YTTE30	184.	338.	387.	522.
	36"W unit	35 1/2"	15"	1 1/4"	YTTE36	207.	353.	408.	551.
	42"W unit	41 1/2"	15"	1 1/4"	YTTE42	240.	373.	430.	581.
	48"W unit	47 1/2"	15"	1 1/4"	YTTE48	267.	387.	445.	600.
	72"W unit	70 1/2"	15"	1 1/4"	YTTE72	350.	481.	554.	749.
End Position Antenna Tops for Multiple Template Units 	(2) 30"W units	58 1/2"	15"	1 1/4"	YTTE60	308.	444.	510.	690.
	30"W + 36"W units	64 1/2"	15"	1 1/4"	YTTE66	332.	464.	534.	719.
	36"W + 42"W units	76 1/2"	15"	1 1/4"	YTTE78	376.	506.	582.	785.
	(2) 42"W units	82 1/2"	15"	1 1/4"	YTTE84	396.	529.	608.	822.
	(3) 30"W units	85 1/2"	15"	1 1/4"	YTTE87	418.	540.	620.	838.
	42"W + 48"W units	88 1/2"	15"	1 1/4"	YTTE90	440.	549.	631.	851.
	(2) 48"W units	94 1/2"	15"	1 1/4"	YTTE96	488.	567.	652.	880.
Mid Position Antenna Tops for Template 	24"W unit	23"	15"	1 1/4"	YTTM23	174.	319.	368.	496.
	30"W unit	29"	15"	1 1/4"	YTTM29	184.	338.	387.	522.
	36"W unit	35"	15"	1 1/4"	YTTM35	207.	353.	408.	551.
	42"W unit	41"	15"	1 1/4"	YTTM41	240.	373.	430.	581.
	48"W unit	47"	15"	1 1/4"	YTTM47	267.	387.	445.	600.

Tops

Ordering Information

Antenna Tops for Template

1. Pattern Number
2. Top Finish
3. Edge Finish
(for laminate tops only)

Order Code

Antenna Tops for Template

Example: **YTTE36L, 118, 118**

YTTE	Template Tops
36	Width
L	Laminate
118	Bright White Top
118	Bright White Edge

Included With

Antenna Tops for Template

Options

Antenna Tops for Template

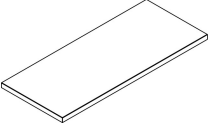
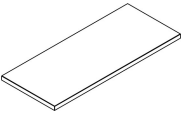
Top Finish Options:

Add an (L) for laminate or (V) for veneer suffix to pattern number.

Antenna Tops and Worksurface Shelves for Template

Worksurface Shelves

Single and Dual Sided

description	type	w	d	h	pattern no.	Laminate (L)	V1 (V)	V2 (V)	V3 (V)
Antenna Worksurface Shelves for Template, Single-Sided 	18"W unit	16"	14"	1 1/4"	YTWSHK118	\$237.	\$384.	\$441.	\$596.
	24"W unit	22"	14"	1 1/4"	YTWSHK124	245.	403.	462.	624.
	30"W unit	28"	14"	1 1/4"	YTWSHK130	254.	419.	481.	651.
	36"W unit	34"	14"	1 1/4"	YTWSHK136	278.	437.	504.	679.
	42"W unit	40"	14"	1 1/4"	YTWSHK142	311.	457.	524.	709.
	48"W unit	46"	14"	1 1/4"	YTWSHK148	338.	471.	542.	730.
	60"W unit	57"	14"	1 1/4"	YTWSHK160	380.	551.	633.	854.
	72"W unit	69"	14"	1 1/4"	YTWSHK172	422.	564.	650.	877.
Antenna Worksurface Shelves for Template, Dual-Sided 	18"W unit	16"	15"	1 1/4"	YTWSHK218	237.	384.	441.	596.
	24"W unit	22"	15"	1 1/4"	YTWSHK224	245.	403.	462.	624.
	30"W unit	28"	15"	1 1/4"	YTWSHK230	254.	419.	481.	651.
	36"W unit	34"	15"	1 1/4"	YTWSHK236	278.	437.	504.	679.
	42"W unit	40"	15"	1 1/4"	YTWSHK242	311.	457.	524.	709.
	48"W unit	46"	15"	1 1/4"	YTWSHK248	338.	471.	542.	730.
	72"W unit	57"	15"	1 1/4"	YTWSHK260	380.	551.	633.	854.
	72"W unit	69"	15"	1 1/4"	YTWSHK272	422.	564.	650.	877.

Ordering Information

Antenna Tops for Template

1. Pattern Number
2. Top Finish
3. Edge Finish
(for laminate tops only)

Order Code

Antenna Tops for Template

Example: **YTWSHK136L, 118, 118**

YTWSHK Worksurface Shelf

36 Width

L Laminate

118 Bright White Top

118 Bright White Edge

Included With

Antenna Tops for Template

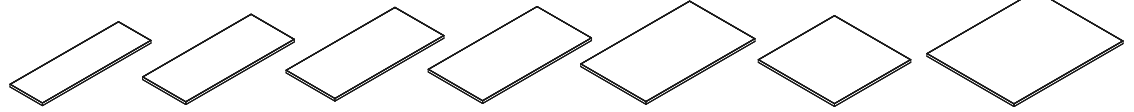
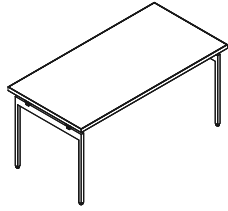
Options

Antenna Tops for Template

Top Finish Options:

Add an (L) for laminate or (V) for veneer suffix to pattern number.

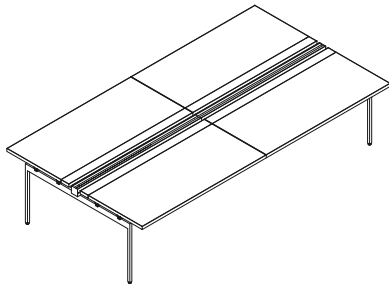
Rectangular Tops for Desks



18" Deep 30" - 96" Wide	24" Deep 30" - 96" Wide	27" Deep 30" - 96" Wide	30" Deep 30" - 96" Wide	36" Deep 30" - 96" Wide	42" Deep 42" and 84" Wide	48" Deep 30" - 96" Wide
----------------------------	----------------------------	----------------------------	----------------------------	----------------------------	------------------------------	----------------------------

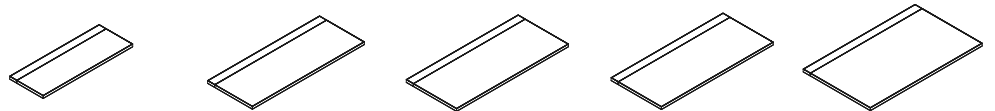
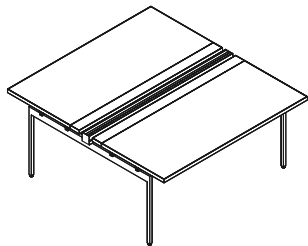
Tops

Rectangular Benching Tops for Desks or Big Tables



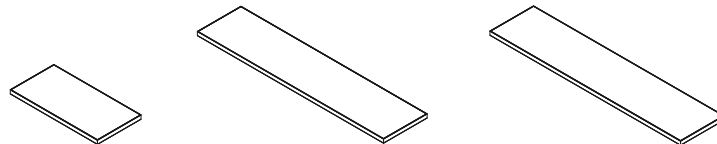
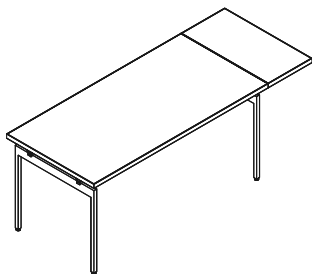
18" Deep 30" - 96" Wide	24" Deep 30" - 96" Wide	27" Deep 30" - 96" Wide	30" Deep 30" - 96" Wide	36" Deep 30" - 96" Wide
----------------------------	----------------------------	----------------------------	----------------------------	----------------------------

Rectangular with Hinged Access Tops for Big Tables



18" Deep 48" - 84" Wide	24" Deep 48" - 84" Wide	27" Deep 48" - 84" Wide	30" Deep 48" - 84" Wide	36" Deep 48" - 84" Wide
----------------------------	----------------------------	----------------------------	----------------------------	----------------------------

Extension Tops for Desks or Big Tables



For Use With 24", 27", 30" or 36" Deep Desk Tops	For Use With 18", 24", 27", 30" or 36" Back to Back Desk Tops	For Use With 18", 24", 27", 30" or 36" Deep Dual Big Table Tops
--	---	---

Overlay tops are designed in rectangular shapes, with specific details optimized for desks, tables, benching or big table applications. The laminate or veneer top surface of overlay tops covers the entire surface, overlapping solid veneer edges with a generous bottom edge radius.

Overlay tops for most desk and table applications are full dimension, 18", 24", 27", 30", 36", 42" and 48" depths, and available in every 6" increment of width from 30"-96". 18" deep tops are for return or bridge applications. Overlay tops can be planned as tables, desks, returns, or bridges.

For benching and desks planned end to end and big table applications, overlay benching tops are available 24", 27" and 30" deep and in widths from 48"-84". Overlay benching tops have rectangular corners optimized for end-to-end planning.

For big table applications, overlay tops with hinged access include a full width 3 3/4" deep hinged section for easy access to outlets and wire management below the center beam. Hinged access overlay tops are available in 24", 27" and 30" overall depths and widths from 48"-84" in 6" increments.

Extension tops plan at the end of a desk, back to back desk or big table. Overlay extension tops are 15" wide and match desks 24", 27", 30" or 36" deep. Extension tops for back to back desks are 15" wide and match tops 18", 24", 27", 30" or 36" deep with overall depths of 39 3/4", 51 3/4", 57 3/4", 63 3/4" or 75 3/4". Overlay extension tops for big tables are 15" or 18" wide and match overall big table depths of 53 1/2", 59 1/2" and 65 1/2". Extension tops can be planned in the same or contrasting surface finish as adjacent laminate or veneer tops. Desk and big table connector kits and rails 12" wider than adjacent top are needed for 15" wide extension top, or 15" wider for 18" wide extension top.

Construction

Overlay tops are nominal 1 3/16" thick with a laminate or veneer surface finish.

Laminate tops have a solid core laminate or veneer top surface, an FSC-certified particle board core and a neutral tone backer sheet for balanced construction. Solid core laminates have integral color throughout the thickness of the laminate. Edges are solid 12.7mm veneer with a 0.6mm top radius and 9mm bottom radius. Outside corners of Overlay tops have an 8mm radius, except for crisp 0.6mm corners on benching tops, big table tops and on the inside corners of extension tops.

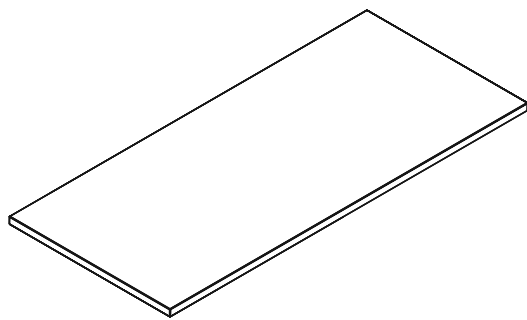
Techwood and natural veneer tops have a veneer top surface, an FSC-certified particle board core and a neutral tone backer sheet for balanced construction. Edges are solid 12.7mm veneer with a 0.6mm top radius and 9mm bottom radius. Bottom radius is only 2.4mm on ends of benching, big table tops, and inside edge of extension tops. Outside corners of Overlay tops have an 8mm radius, except for crisp 0.6mm corners on benching tops, big table tops and inside corners of extension tops.

Veneer grain direction is parallel to front edge on desk tops and parallel to the end on extension tops.

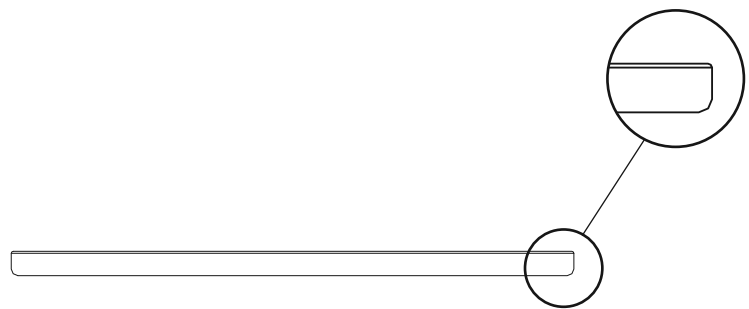
All tops have pilot holes for the most common mounting conditions for desk legs and return connections: legs inset 1 1/2" or 5 1/2" from the both ends of top.

Specifications Options

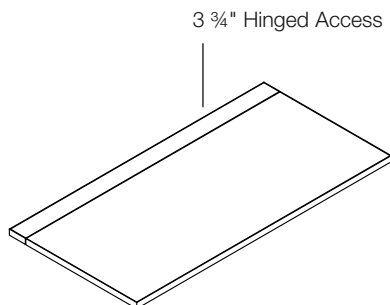
Top surface is available in a limited range of solid core laminates or in any Knoll core veneer. For both solid core laminate and veneer, specify edgeband in any Knoll core veneer.



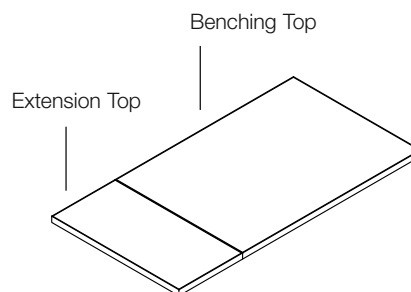
Overlay Top



Overlay Top Edge Elevation





Overlay Hinged Access Top



Overlay Benching Top with Extension Top

Overlay Tops for Desks

18" and 24" Deep Rectangular

description	w	d	h	pattern no.	Color Core Laminate (C)	V1 (V)	V2 (V)	V3 (V)
Overlay Desk Tops, 18" Deep Rectangular 	30"	18"	1 1/4"	YP3018	\$1,009.	\$988.	\$1,050.	\$1,107.
	36"	18"	1 1/4"	YP3618	1,057.	1,006.	1,073.	1,147.
	42"	18"	1 1/4"	YP4218	1,109.	1,026.	1,101.	1,187.
	48"	18"	1 1/4"	YP4818	1,170.	1,056.	1,140.	1,237.
	54"	18"	1 1/4"	YP5418	1,217.	1,072.	1,166.	1,276.
	60"	18"	1 1/4"	YP6018	1,316.	1,149.	1,248.	1,371.
	66"	18"	1 1/4"	YP6618	1,377.	1,178.	1,284.	1,419.
	72"	18"	1 1/4"	YP7218	1,424.	1,195.	1,310.	1,460.
	78"	18"	1 1/4"	YP7818	1,477.	1,216.	1,337.	1,498.
	84"	18"	1 1/4"	YP8418	1,537.	1,243.	1,374.	1,547.
	90"	18"	1 1/4"	YP9018	1,585.	1,262.	1,400.	1,586.
	96"	18"	1 1/4"	YP9618	1,645.	1,291.	1,435.	1,634.
Overlay Desk Tops, 24" Deep Rectangular 	30"	24"	1 1/4"	YP3024	1,075.	1,008.	1,078.	1,160.
	36"	24"	1 1/4"	YP3624	1,153.	1,039.	1,120.	1,218.
	42"	24"	1 1/4"	YP4224	1,217.	1,062.	1,151.	1,269.
	48"	24"	1 1/4"	YP4824	1,279.	1,085.	1,182.	1,315.
	54"	24"	1 1/4"	YP5424	1,350.	1,114.	1,221.	1,373.
	60"	24"	1 1/4"	YP6024	1,463.	1,194.	1,310.	1,481.
	66"	24"	1 1/4"	YP6624	1,532.	1,225.	1,350.	1,537.
	72"	24"	1 1/4"	YP7224	1,602.	1,248.	1,382.	1,588.
	78"	24"	1 1/4"	YP7824	1,672.	1,278.	1,422.	1,645.
	84"	24"	1 1/4"	YP8424	1,736.	1,301.	1,453.	1,694.
	90"	24"	1 1/4"	YP9024	1,839.	1,370.	1,533.	1,789.
	96"	24"	1 1/4"	YP9624	1,900.	1,393.	1,564.	1,841.

Tops

Ordering Information

Overlay Desk Tops

1. Pattern Number
2. Top Finish
3. Edge Finish (for laminate tops only)

Order Code

Overlay Desk Tops

Example: **YP7824C, 311, V440**

YT	Table
78	Width
24	Depth
C	Color Core Laminate
311	Solid Gallery White Top
V440	Natural Hemlock Edge

Included With

Overlay Desk Tops



Options

Overlay Desk Tops

Top Finish Options:

Add a (C) for color core laminate or (V) for veneer suffix to pattern number.

Overlay Tops for Desks 27" and 30" Deep Rectangular

description	w	d	h	pattern no.	Color Core Laminate (C)	V1 (V)	V2 (V)	V3 (V)
Overlay Desk Tops, 27" Deep Rectangular 	30"	27"	1 1/4"	YP3027	\$1,138.	\$1,042.	\$1,120.	\$1,212.
	36"	27"	1 1/4"	YP3627	1,208.	1,067.	1,152.	1,266.
	42"	27"	1 1/4"	YP4227	1,303.	1,117.	1,213.	1,346.
	48"	27"	1 1/4"	YP4827	1,378.	1,148.	1,255.	1,406.
	54"	27"	1 1/4"	YP5427	1,446.	1,173.	1,289.	1,462.
	60"	27"	1 1/4"	YP6027	1,554.	1,237.	1,363.	1,557.
	66"	27"	1 1/4"	YP6627	1,622.	1,260.	1,396.	1,607.
	72"	27"	1 1/4"	YP7227	1,696.	1,283.	1,429.	1,661.
	78"	27"	1 1/4"	YP7827	1,773.	1,314.	1,471.	1,725.
	84"	27"	1 1/4"	YP8427	1,848.	1,340.	1,506.	1,781.
	90"	27"	1 1/4"	YP9027	1,944.	1,398.	1,573.	1,866.
	96"	27"	1 1/4"	YP9627	2,013.	1,421.	1,607.	1,922.
Overlay Desk Tops, 30" Deep Rectangular 	30"	30"	1 1/4"	YP3030	1,175.	1,057.	1,137.	1,242.
	36"	30"	1 1/4"	YP3630	1,264.	1,095.	1,187.	1,313.
	42"	30"	1 1/4"	YP4230	1,346.	1,128.	1,230.	1,380.
	48"	30"	1 1/4"	YP4830	1,426.	1,152.	1,266.	1,436.
	54"	30"	1 1/4"	YP5430	1,512.	1,187.	1,310.	1,504.
	60"	30"	1 1/4"	YP6030	1,613.	1,243.	1,378.	1,592.
	66"	30"	1 1/4"	YP6630	1,698.	1,277.	1,423.	1,660.
	72"	30"	1 1/4"	YP7230	1,779.	1,303.	1,461.	1,720.
	78"	30"	1 1/4"	YP7830	1,860.	1,336.	1,504.	1,786.
	84"	30"	1 1/4"	YP8430	1,939.	1,362.	1,539.	1,846.
	90"	30"	1 1/4"	YP9030	2,062.	1,439.	1,627.	1,956.
	96"	30"	1 1/4"	YP9630	2,135.	1,464.	1,661.	2,015.

Ordering Information

Overlay Desk Tops

1. Pattern Number
2. Top Finish
3. Edge Finish
(for laminate tops only)

Order Code

Overlay Desk Tops

Example: **YP7827C, 311, V440**

YT	Table
78	Width
27	Depth
C	Color Core Laminate
311	Solid Gallery White Top
V440	Natural Hemlock Edge

Included With

Overlay Desk Tops

Options

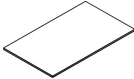
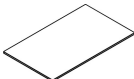
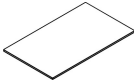
Overlay Desk Tops

Top Finish Options:

Add a (C) for color core laminate or (V) for veneer suffix to pattern number.

Overlay Tops for Desks

36", 42" and 48" Deep Rectangular

description	w	d	h	pattern no.	Color Core Laminate (C)	V1 (V)	V2 (V)	V3 (V)
Overlay Desk Tops, 36" Deep Rectangular 	30"	36"	1 1/4"	YP3036	\$1,264.	\$1,095.	\$1,187.	\$1,313.
	36"	36"	1 1/4"	YP3636	1,363.	1,131.	1,235.	1,388.
	42"	36"	1 1/4"	YP4236	1,452.	1,157.	1,275.	1,454.
	48"	36"	1 1/4"	YP4836	1,551.	1,195.	1,325.	1,533.
	54"	36"	1 1/4"	YP5436	1,648.	1,232.	1,374.	1,609.
	60"	36"	1 1/4"	YP6036	1,770.	1,293.	1,446.	1,711.
	66"	36"	1 1/4"	YP6636	1,865.	1,331.	1,496.	1,785.
	72"	36"	1 1/4"	YP7236	1,957.	1,355.	1,536.	1,854.
	78"	36"	1 1/4"	YP7836	2,047.	1,384.	1,577.	1,922.
	84"	36"	1 1/4"	YP8436	2,137.	1,413.	1,618.	1,991.
	90"	36"	1 1/4"	YP9036	2,258.	1,480.	1,695.	2,095.
	96"	36"	1 1/4"	YP9636	2,356.	1,508.	1,738.	2,164.
Overlay Desk Tops, 42" Deep Rectangular 	42"	42"	1 1/4"	YP4242	1,569.	1,207.	1,336.	1,548.
	84"	42"	1 1/4"	YP8442	2,356.	1,466.	1,695.	2,134.
Overlay Desk Tops, 48" Deep Rectangular 	30"	48"	1 1/4"	YP3048	1,436.	1,166.	1,278.	1,448.
	36"	48"	1 1/4"	YP3648	1,561.	1,210.	1,338.	1,545.
	42"	48"	1 1/4"	YP4248	1,685.	1,252.	1,396.	1,642.
	48"	48"	1 1/4"	YP4848	1,830.	1,282.	1,443.	1,725.
	54"	48"	1 1/4"	YP5448	1,947.	1,314.	1,491.	1,811.
	60"	48"	1 1/4"	YP6048	2,098.	1,381.	1,574.	1,930.
	66"	48"	1 1/4"	YP6648	2,216.	1,415.	1,622.	2,016.
	72"	48"	1 1/4"	YP7248	2,333.	1,448.	1,673.	2,103.
	78"	48"	1 1/4"	YP7848	2,449.	1,482.	1,722.	2,189.
	84"	48"	1 1/4"	YP8448	2,572.	1,518.	1,773.	2,277.
	90"	48"	1 1/4"	YP9048	2,720.	1,589.	1,860.	2,402.
	96"	48"	1 1/4"	YP9648	2,839.	1,623.	1,911.	2,491.

Tops

Ordering Information

Overlay Desk Tops

1. Pattern Number
2. Top Finish
3. Edge Finish (for laminate tops only)

Order Code

Overlay Desk Tops

Example: **YP7836C, 311, V440**

YT	Table
78	Width
36	Depth
C	Color Core Laminate
311	Solid Gallery White Top
V440	Natural Hemlock Edge

Included With

Overlay Desk Tops

Options

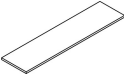


Overlay Desk Tops

Top Finish Options:

Add a (C) for color core laminate or (V) for veneer suffix to pattern number.

Overlay Benching Tops for Desks and Big Tables

18", 24" and 27" Deep Rectangular

description	w	d	h	pattern no.	Color Core Laminate (C)	V1 (V)	V2 (V)	V3 (V)
Overlay Benching Tops, 18" Deep Rectangular 	30"	18"	1 1/4"	YPB3018	\$1,032.	\$803.	\$924.	\$1,107.
	36"	18"	1 1/4"	YPB3618	1,079.	832.	958.	1,148.
	42"	18"	1 1/4"	YPB4218	1,113.	861.	990.	1,189.
	48"	18"	1 1/4"	YPB4818	1,147.	885.	1,018.	1,221.
	54"	18"	1 1/4"	YPB5418	1,206.	906.	1,042.	1,252.
	60"	18"	1 1/4"	YPB6018	1,262.	975.	1,123.	1,347.
	66"	18"	1 1/4"	YPB6618	1,348.	1,006.	1,156.	1,388.
	72"	18"	1 1/4"	YPB7218	1,435.	1,029.	1,183.	1,419.
	78"	18"	1 1/4"	YPB7818	1,520.	1,052.	1,209.	1,449.
	84"	18"	1 1/4"	YPB8418	1,606.	1,082.	1,242.	1,491.
	90"	18"	1 1/4"	YPB9018	1,663.	1,120.	1,285.	1,543.
96"	18"	1 1/4"	YPB9618	1,721.	1,147.	1,319.	1,584.	
Overlay Benching Tops, 24" Deep Rectangular 	30"	24"	1 1/4"	YPB3024	985.	903.	966.	1,094.
	36"	24"	1 1/4"	YPB3624	1,062.	937.	1,007.	1,151.
	42"	24"	1 1/4"	YPB4224	1,126.	959.	1,038.	1,202.
	48"	24"	1 1/4"	YPB4824	1,189.	981.	1,069.	1,249.
	54"	24"	1 1/4"	YPB5424	1,260.	1,010.	1,107.	1,305.
	60"	24"	1 1/4"	YPB6024	1,370.	1,092.	1,197.	1,413.
	66"	24"	1 1/4"	YPB6624	1,441.	1,122.	1,237.	1,470.
	72"	24"	1 1/4"	YPB7224	1,509.	1,144.	1,270.	1,521.
	78"	24"	1 1/4"	YPB7824	1,580.	1,175.	1,309.	1,578.
	84"	24"	1 1/4"	YPB8424	1,645.	1,196.	1,341.	1,627.
	90"	24"	1 1/4"	YPB9024	1,745.	1,267.	1,419.	1,723.
96"	24"	1 1/4"	YPB9624	1,810.	1,289.	1,450.	1,774.	
Overlay Benching Tops, 27" Deep Rectangular 	30"	27"	1 1/4"	YPB3027	1,041.	936.	1,001.	1,144.
	36"	27"	1 1/4"	YPB3627	1,132.	986.	1,061.	1,224.
	42"	27"	1 1/4"	YPB4227	1,208.	1,009.	1,096.	1,278.
	48"	27"	1 1/4"	YPB4827	1,282.	1,040.	1,137.	1,339.
	54"	27"	1 1/4"	YPB5427	1,350.	1,064.	1,170.	1,394.
	60"	27"	1 1/4"	YPB6027	1,460.	1,130.	1,246.	1,489.
	66"	27"	1 1/4"	YPB6627	1,527.	1,152.	1,277.	1,539.
	72"	27"	1 1/4"	YPB7227	1,602.	1,176.	1,311.	1,597.
	78"	27"	1 1/4"	YPB7827	1,678.	1,209.	1,353.	1,657.
	84"	27"	1 1/4"	YPB8427	1,750.	1,232.	1,388.	1,713.
	90"	27"	1 1/4"	YPB9027	1,849.	1,291.	1,455.	1,799.
96"	27"	1 1/4"	YPB9627	1,917.	1,312.	1,489.	1,853.	

Ordering Information

Overlay Benching Tops

1. Pattern Number
2. Top Finish
3. Edge Finish (for laminate tops only)

Order Code

Overlay Benching Tops

Example: **YPB7824C, 311, V440**

YPB	Table
78	Width
24	Depth
C	Color Core Laminate
311	Solid Gallery White Top
V440	Natural Hemlock Edge

Included With

Overlay Benching Tops

Options

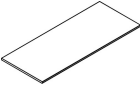
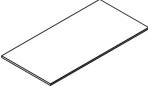
Overlay Benching Tops

Top Finish Options:

Add a (C) for color core laminate or (V) for veneer suffix to pattern number.

Overlay Benching Tops for Desks and Big Tables

30" and 36" Deep Rectangular

description	w	d	h	pattern no.	Color Core Laminate (C)	V1 (V)	V2 (V)	V3 (V)
Overlay Benching Tops, 30" Deep Rectangular 	30"	30"	1 1/4"	YPB3030	\$1,074.	\$945.	\$1,016.	\$1,174.
	36"	30"	1 1/4"	YPB3630	1,166.	984.	1,063.	1,246.
	42"	30"	1 1/4"	YPB4230	1,247.	1,017.	1,107.	1,312.
	48"	30"	1 1/4"	YPB4830	1,326.	1,040.	1,143.	1,369.
	54"	30"	1 1/4"	YPB5430	1,413.	1,074.	1,188.	1,436.
	60"	30"	1 1/4"	YPB6030	1,512.	1,132.	1,256.	1,526.
	66"	30"	1 1/4"	YPB6630	1,601.	1,166.	1,301.	1,592.
	72"	30"	1 1/4"	YPB7230	1,680.	1,191.	1,337.	1,652.
	78"	30"	1 1/4"	YPB7830	1,761.	1,224.	1,380.	1,719.
	84"	30"	1 1/4"	YPB8430	1,841.	1,249.	1,417.	1,777.
	90"	30"	1 1/4"	YPB9030	1,962.	1,328.	1,505.	1,888.
	96"	30"	1 1/4"	YPB9630	2,036.	1,350.	1,539.	1,946.
Overlay Benching Tops, 36" Deep Rectangular 	30"	36"	1 1/4"	YPB3036	1,156.	975.	1,055.	1,244.
	36"	36"	1 1/4"	YPB3636	1,256.	1,011.	1,102.	1,320.
	42"	36"	1 1/4"	YPB4236	1,345.	1,038.	1,142.	1,385.
	48"	36"	1 1/4"	YPB4836	1,442.	1,075.	1,192.	1,465.
	54"	36"	1 1/4"	YPB5436	1,539.	1,113.	1,241.	1,539.
	60"	36"	1 1/4"	YPB6036	1,660.	1,174.	1,313.	1,643.
	66"	36"	1 1/4"	YPB6636	1,759.	1,211.	1,363.	1,718.
	72"	36"	1 1/4"	YPB7236	1,850.	1,238.	1,404.	1,785.
	78"	36"	1 1/4"	YPB7836	1,939.	1,266.	1,444.	1,852.
	84"	36"	1 1/4"	YPB8436	2,029.	1,294.	1,485.	1,923.
	90"	36"	1 1/4"	YPB9036	2,153.	1,361.	1,564.	2,026.
	96"	36"	1 1/4"	YPB9636	2,246.	1,391.	1,605.	2,096.

Tops

Ordering Information

Overlay Benching Tops

1. Pattern Number
2. Top Finish
3. Edge Finish (for laminate tops only)

Order Code

Overlay Benching Tops

Example: **YPB7830C, 311, V440**

YPB	Table
78	Width
30	Depth
C	Color Core Laminate
311	Solid Gallery White Top
V440	Natural Hemlock Edge

Included With

Overlay Benching Tops

Options

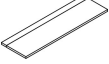


Overlay Benching Tops

Top Finish Options:

Add a (C) for color core laminate or (V) for veneer suffix to pattern number.

Overlay Hinged Access Tops for Big Tables

18", 24" and 27" Deep Rectangular

description	w	d	h	pattern no.	Color Core Laminate (C)	V1 (V)	V2 (V)	V3 (V)
Overlay Big Table Tops, 18" Deep Rectangular with Hinged Access 	48"	18"	1 1/4"	YPH4818	\$1,606.	\$1,229.	\$1,362.	\$1,565.
	54"	18"	1 1/4"	YPH5418	1,663.	1,251.	1,386.	1,597.
	60"	18"	1 1/4"	YPH6018	1,721.	1,319.	1,467.	1,691.
	66"	18"	1 1/4"	YPH6618	1,808.	1,350.	1,501.	1,733.
	72"	18"	1 1/4"	YPH7218	1,894.	1,374.	1,527.	1,763.
	78"	18"	1 1/4"	YPH7818	1,979.	1,396.	1,553.	1,793.
	84"	18"	1 1/4"	YPH8418	2,065.	1,426.	1,587.	1,835.
Overlay Big Table Tops, 24" Deep Rectangular with Hinged Access 	48"	24"	1 1/4"	YPH4824	1,664.	1,343.	1,421.	1,649.
	54"	24"	1 1/4"	YPH5424	1,740.	1,371.	1,455.	1,706.
	60"	24"	1 1/4"	YPH6024	1,865.	1,471.	1,564.	1,839.
	66"	24"	1 1/4"	YPH6624	1,934.	1,500.	1,602.	1,900.
	72"	24"	1 1/4"	YPH7224	2,036.	1,557.	1,666.	1,988.
	78"	24"	1 1/4"	YPH7824	2,119.	1,585.	1,701.	2,047.
	84"	24"	1 1/4"	YPH8424	2,183.	1,604.	1,728.	2,098.
Overlay Big Table Tops, 27" Deep Rectangular with Hinged Access 	48"	27"	1 1/4"	YPH4827	1,720.	1,378.	1,463.	1,713.
	54"	27"	1 1/4"	YPH5427	1,807.	1,398.	1,490.	1,767.
	60"	27"	1 1/4"	YPH6027	1,952.	1,509.	1,611.	1,913.
	66"	27"	1 1/4"	YPH6627	2,031.	1,530.	1,642.	1,970.
	72"	27"	1 1/4"	YPH7227	2,134.	1,588.	1,707.	2,062.
	78"	27"	1 1/4"	YPH7827	2,221.	1,618.	1,746.	2,127.
	84"	27"	1 1/4"	YPH8427	2,296.	1,638.	1,775.	2,181.

Ordering Information

Overlay Big Table Tops

1. Pattern Number
2. Top Finish
3. Edge Finish (for laminate tops only)
4. Paint Finish

Order Code

Overlay Big Table Tops

Example: **YPH7824C, 311, V440, 118T**

YTH	Table
78	Width
24	Depth
C	Color Core Laminate
311	Solid Gallery White Top
V440	Natural Hemlock Edge
118T	Bright White Paint

Included With

Overlay Big Table Tops

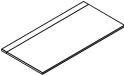
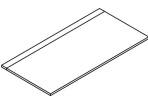
Options

Overlay Big Table Tops

Top Finish Options:
Add a (C) for color core laminate or (V) for veneer suffix to pattern number.

Overlay Hinged Access Tops for Big Tables

30" and 36" Deep Rectangular





description	w	d	h	pattern no.	Color Core Laminate (C)	V1 (V)	V2 (V)	V3 (V)
Overlay Big Table Tops, 30" Deep Rectangular with Hinged Access 	48"	30"	1 1/4"	YPH4830	\$1,819.	\$1,417.	\$1,507.	\$1,781.
	54"	30"	1 1/4"	YPH5430	1,904.	1,447.	1,548.	1,851.
	60"	30"	1 1/4"	YPH6030	2,021.	1,512.	1,622.	1,954.
	66"	30"	1 1/4"	YPH6630	2,105.	1,543.	1,660.	2,027.
	72"	30"	1 1/4"	YPH7230	2,207.	1,604.	1,733.	2,119.
	78"	30"	1 1/4"	YPH7830	2,307.	1,627.	1,766.	2,171.
	84"	30"	1 1/4"	YPH8430	2,379.	1,656.	1,807.	2,250.
Overlay Big Table Tops, 36" Deep Rectangular with Hinged Access 	48"	36"	1 1/4"	YPH4836	1,929.	1,574.	1,704.	1,911.
	54"	36"	1 1/4"	YPH5436	2,026.	1,611.	1,751.	1,988.
	60"	36"	1 1/4"	YPH6036	2,149.	1,673.	1,825.	2,088.
	66"	36"	1 1/4"	YPH6636	2,244.	1,708.	1,875.	2,163.
	72"	36"	1 1/4"	YPH7236	2,336.	1,736.	1,914.	2,233.
	78"	36"	1 1/4"	YPH7836	2,426.	1,763.	1,955.	2,299.
	84"	36"	1 1/4"	YPH8436	2,517.	1,791.	1,996.	2,369.

Tops

Ordering Information	Order Code	Included With	Options
Overlay Big Table Tops 1. Pattern Number 2. Top Finish 3. Edge Finish (for laminate tops only) 4. Paint Finish	Overlay Big Table Tops <i>Example:</i> YPH7830C, 311, V440, 118T <hr/> YTH Table <hr/> 78 Width <hr/> 30 Depth <hr/> C Color Core Laminate <hr/> 311 Solid Gallery White Top <hr/> V440 Natural Hemlock Edge <hr/> 118T Bright White Paint	Overlay Big Table Tops	Overlay Big Table Tops Top Finish Options: Add a (C) for color core laminate or (V) for veneer suffix to pattern number.

Overlay Extension Tops for Desks and Big Tables

15" Wide and 18" Wide Rectangular

description	type	w	d	h	pattern no.	Color Core	V1	V2	V3
						Laminate (C)			
Overlay Desk Extension Tops, 15" Wide Rectangular 	For use with 24" deep desk tops	15"	24"	1 1/4"	YPE1524	\$982.	\$804.	\$850.	\$912.
	For use with 27" deep desk tops	15"	27"	1 1/4"	YPE1527	1,006.	813.	861.	931.
	For use with 30" deep desk tops	15"	30"	1 1/4"	YPE1530	1,033.	825.	874.	951.
	For use with 36" deep desk tops	15"	36"	1 1/4"	YPE1536	1,088.	839.	895.	988.
Overlay Back to Back Desk Extension Tops, 15" Wide Rectangular 	For use with 18" deep back to back tops	15"	39 3/4"	1 1/4"	YPE1539	1,128.	861.	918.	1,067.
	For use with 24" deep back to back tops	15"	51 3/4"	1 1/4"	YPE1552	1,251.	894.	966.	1,101.
	For use with 27" deep back to back tops	15"	57 3/4"	1 1/4"	YPE1558	1,302.	913.	989.	1,142.
	For use with 30" deep back to back tops	15"	63 3/4"	1 1/4"	YPE1564	1,347.	925.	1,009.	1,176.
	For use with 36" deep back to back tops	15"	75 3/4"	1 1/4"	YPE1576	1,377.	951.	1,025.	1,206.
Overlay Dual Sided Big Table Extension Tops, 15" Wide Rectangular 	For use with 18" deep dual big table tops	15"	41 1/2"	1 1/4"	YPE1541	1,128.	861.	918.	1,067.
	For use with 24" deep dual big table tops	15"	53 1/2"	1 1/4"	YPE1553	1,251.	894.	966.	1,101.
	For use with 27" deep dual big table tops	15"	59 1/2"	1 1/4"	YPE1559	1,302.	913.	989.	1,142.
	For use with 30" deep dual big table tops	15"	65 1/2"	1 1/4"	YPE1565	1,347.	925.	1,009.	1,176.
	For use with 36" deep dual big table tops	15"	77 1/2"	1 1/4"	YPE1577	1,377.	951.	1,025.	1,206.
Overlay Dual Sided Big Table Extension Tops, 18" Wide Rectangular 	For use with 18" deep dual big table tops	18"	41 1/2"	1 1/4"	YPE1841	1,354.	1,038.	1,103.	1,283.
	For use with 24" deep dual big table tops	18"	53 1/2"	1 1/4"	YPE1853	1,503.	1,070.	1,158.	1,321.
	For use with 27" deep dual big table tops	18"	59 1/2"	1 1/4"	YPE1859	1,563.	1,093.	1,186.	1,371.
	For use with 30" deep dual big table tops	18"	65 1/2"	1 1/4"	YPE1865	1,617.	1,114.	1,202.	1,409.
	For use with 36" deep dual big table tops	18"	77 1/2"	1 1/4"	YPE1877	1,650.	1,142.	1,229.	1,447.

Ordering Information

Overlay Extension Tops

1. Pattern Number
2. Top Finish
3. Edge Finish
(for laminate tops only)

Order Code

Overlay Extension Tops

Example: **YPE1559C, 311, V440**

YP	Table
E	Extension
78	Width
30	Depth
C	Color Core Laminate
311	Solid Gallery White Top
V440	Natural Hemlock Edge

Included With

Overlay Extension Tops

Options

Overlay Extension Tops

Top Finish Options:

Add a (C) for color core laminate or (V) for veneer suffix to pattern number.

Antenna desks, returns, bridges and tables have a simple structure: tops are supported by a combination of rails and legs. All can be specified as complete kits or by combining a few basic components.

Desks and Tables

Desks are assembled from a top, starter rails and two corresponding depth desk end legs. Starter rails are inset 1 1/2" from each end of the top and end legs are inset 1 1/2" from front and back edges of top. Desk end legs are an inverted U-shape that connects to the underside of the rails at any point within stability guidelines.

Desks can be assembled with tops up to 48" deep, starter rails and desk end legs. Desk end legs are different from table desk end legs, which are used for stand-alone tables.

Unlike desk end legs that attach to the underside of rails, table desk end legs capture the end of the rails. Starter rails without end caps should be specified for stand-alone table desks because the table desk legs cover the ends of the rails, so end caps are not needed. Table desk end legs can only be installed at the end of the worksurface and are taller than the desk end legs, so knees can fit under the end of the table.

Returns are assembled with tops 18"-48" deep, return rails, and an end leg. Return rails are 6" wider than the return top that is connecting to the perpendicular desk rails.

Bridges are assembled from tops and bridge rails. Bridge rails are 9" wider than the bridge top that is connecting to perpendicular desks at both ends. Desks with extension tops or desk extension cabinets require

starter rails that are 12" wider than the adjacent top. Returns with extension tops or cabinets require return rails 12" wider than return top width. The desk end leg is positioned where the top and cabinet meet.

Tops planned end-to-end can share a desk end leg where the tops meet, but require one set of starter rails and one set of extended rails, which are 3" wider than the top.

Back-to-back desk tops can be supported by two sets of starter rails and back-to-back end legs. Designed to create a 3/4" space between the back-to-back tops for a desk mounted screen and wire drops on each side, back-to-back end legs are inset 1 1/2" from the front edges of the tops.

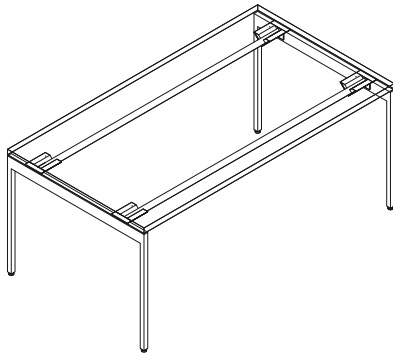


Table Desk End Leg Detail



Table Desk Side Elevation

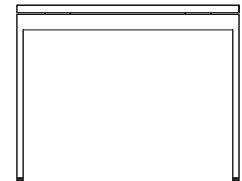
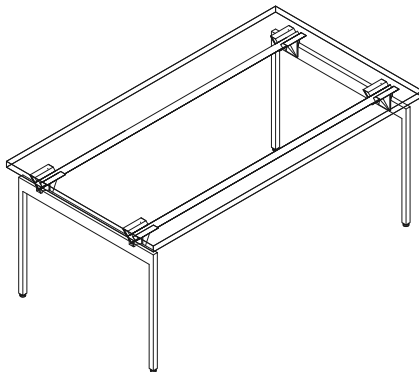


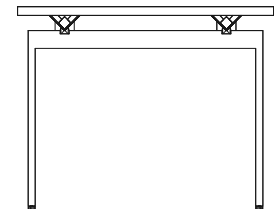
Table Desk End Elevation



Desk End Leg Detail



Desk Side Elevation



Desk End Elevation

Dual sided big tables are comprised of back to back tops with two sets of starter rails equal to the width of the tops and a center beam between, which span across two end legs for dual sided big tables. The center beam and starter rails correspond in width to the tops on either side.

End to end big table tops are supported by two pairs of extended rails, an additional center beam and an additional intermediate leg for each additional pair of tops.

Big tables with extension tops or desk extension cabinets require starter rails or extended rails 12" wider than the adjacent tops. The end leg is positioned where the top and cabinet meet. Center beam matches the top width.

End legs and intermediate legs for dual sided big tables with 24", 27" or 30" deep tops are always

50 1/2" deep. Legs are inset 1 1/2" from front edge of 24"D tops, 4 1/2" from front edge of 27"D tops and 7 1/2" from front of 30"D tops. Dual sided big table end and intermediate legs for 18" deep tops are 38 1/2" deep and inset 1 1/2" from the front edges of 18" deep tops. End legs and intermediate legs for dual sided big tables with 36" deep tops are 62 1/2" deep and inset 7 1/2" from front edges of 36" deep tops. For 36" deep dual sided big tables with tops wider than 54", an additional midspan support for the center beam must be specified separately. End legs can be positioned up to 6" in from ends of a big table and intermediate legs must be mounted directly under the joint of two tops.

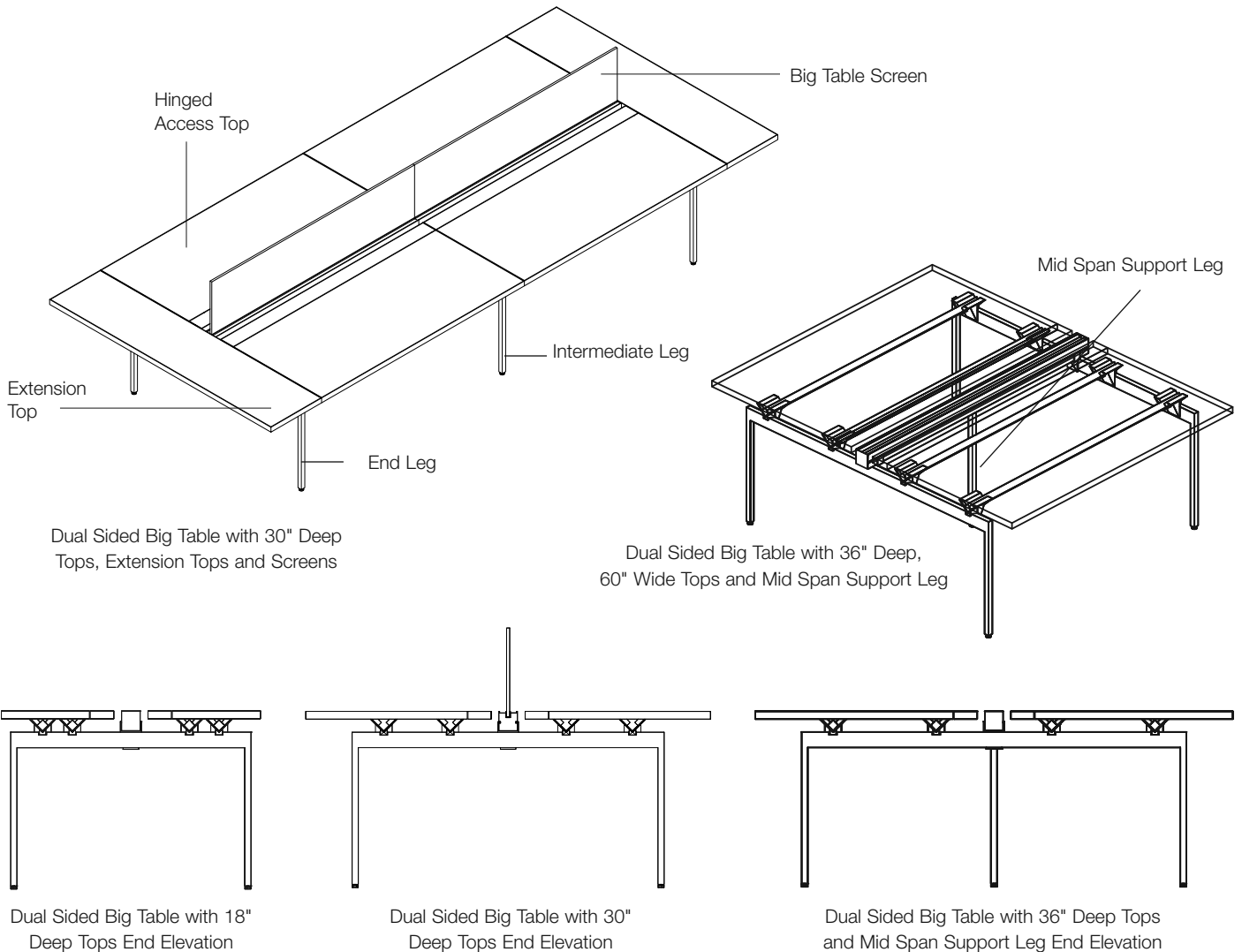
Inset intermediate legs offer more knee space than standard intermediate legs.

Inset legs are only 35 1/2" deep, so are recessed 9" from front edge of 24"D tops,

12" from front edge of 27"D tops, and 15" from front of 30"D tops. Inset intermediate legs for 36" deep dual sided big tables are 47 1/2" deep and recessed 15" from front edge of top. There are no inset intermediate legs available for 18" deep big tables.

Returns can be attached anywhere along big tables. Standard desk return rails can be specified with 18" or 24" deep big table tops. Since rails on big table tops deeper than 24" are recessed further from the front edge, return rails are 6" wider than return tops for big tables 27" deep and 9" wider than return tops for big tables 30" or 36" deep.

Antenna tops can serve as economical shared returns up to 48" deep with a single end leg or table desk end leg and one set of return rails.



Antenna Workspaces offers two versions of single sided big tables: basic and full back. Basic big tables can support power distribution, beam-mounted screens, Sapper monitor arms, platforms and cantilever shelves. Basic big tables do not support stanchion mounted open or enclosed cabinets, and are limited to 6" deep cable baskets below the center beam. Full back big tables, with an added 7 1/2" deep top on the back side of the center beam, add the options of full back panels, extension tops or stanchion mounted storage cabinets, and enable 12" deep as well as 6" cable baskets in the same configuration as dual tables.

Basic Single Sided Big Tables

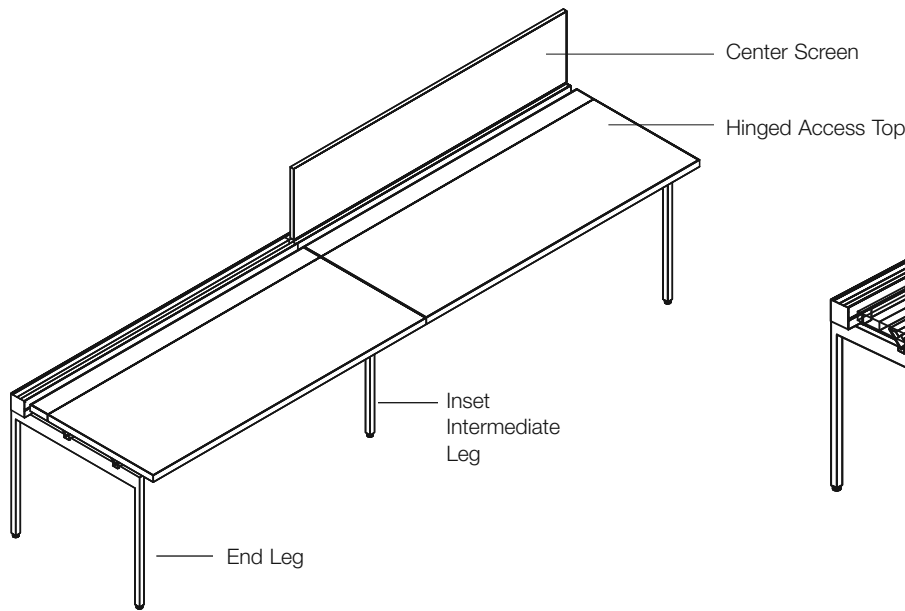
Single sided basic big tables include a top with starter rails and a center beam, which span across two end legs. The center beam and starter rails correspond in width to the desk top width. Adjacent big table tops are supported by a pair of extended rails on an additional intermediate leg, with corresponding width center beam.

Overall depth for basic single sided tables is about 5 1/2" greater than the big table tops. End legs and intermediate legs for basic single sided big tables with 18" deep tops are set back 1 1/2" from the front edge. End legs and intermediate legs for tables with tops that are 24", 27" or 30" deep are set back 1 1/2" from

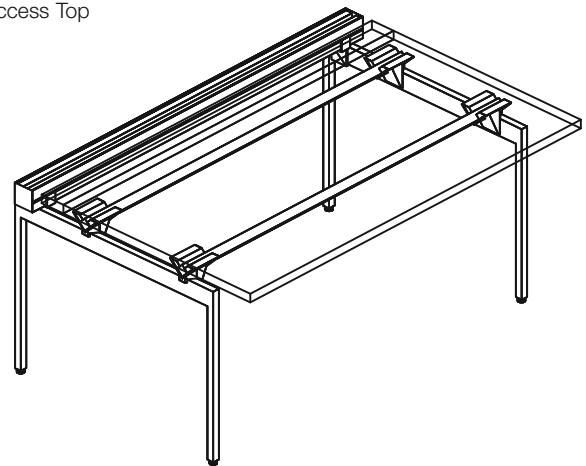
the front edge of 24" deep tops, 4 1/2" from the front of 27" deep tops, and 7 1/2" from the front of 30" deep tops. End legs and intermediate legs for basic big tables with 36" deep tops are set back 7 1/2" from the front edge.

For big tables with tops deeper than 18", inset intermediate legs offer more kneespace than standard intermediate legs: inset intermediate legs are recessed 9" from front edge of 24" deep tops, 12" from front of 27" deep tops and 15" from front of 30" or 36" deep tops.

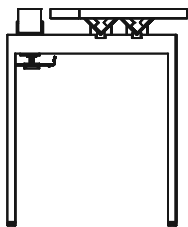
End legs can be positioned from 1 1/2" to 6" in from the end of a big table top. Intermediate legs or inset intermediate legs must be mounted directly under the joint of two tops.



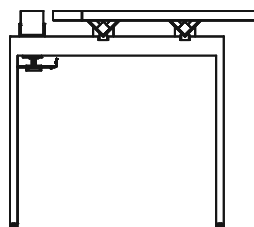
Basic Single Sided Big Table with 27" Deep Tops and Center Screen



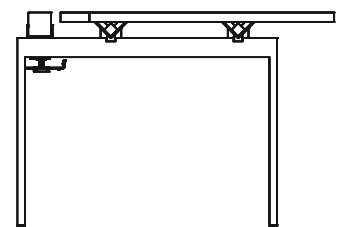
Basic Single Sided Big Table with 36" Deep Top



Basic Single Sided Big Table with 18" Deep Top



Basic Single Sided Big Table with 27" Deep Top



Basic Single Sided Big Table with 36" Deep Top End Elevation

Full Back Single Sided Big Tables

Single sided full back big tables include a top with pair of starter rails, a 7 1/2" deep back top with a single starter rail, and a center beam, which span across two end legs. The back top, center beam and starter rails correspond in width to the desk top width. Adjacent big table tops and back tops are supported by a pair of extended rails and a single extended rail, on an additional intermediate leg, with corresponding width center beam.

Big tables with extension tops require starter rails or extended rails for tops 12" wider than the actual adjacent big table tops. The center beam should remain the same width as the big table tops, and the end leg is positioned where the tops meet the extension.

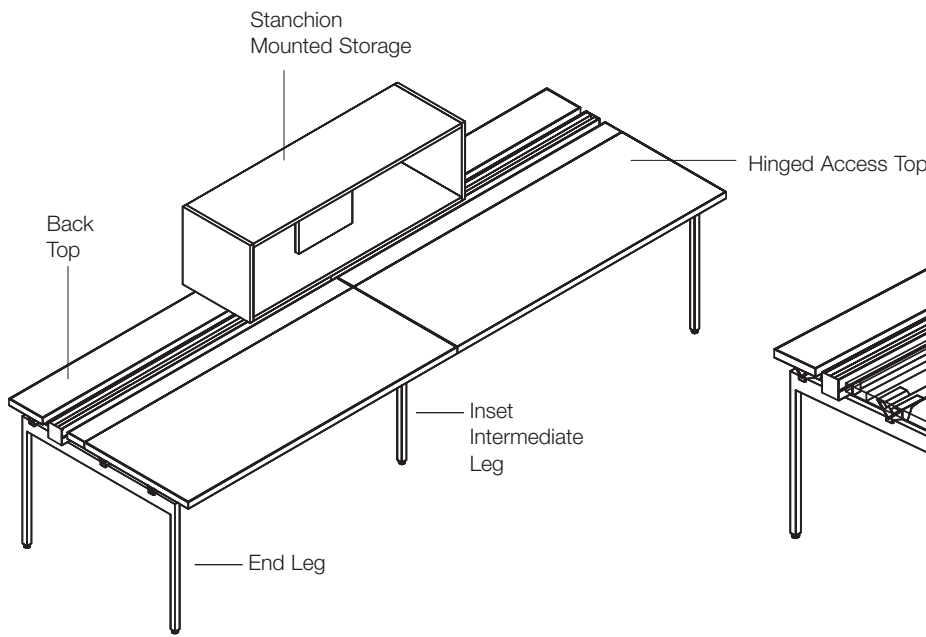
Overall depth of full back single sided big tables is about 13" more than the big table tops. End legs and intermediate legs for full back, single sided big tables with 18" deep tops are set back 1 1/2" from the front edge. End legs and intermediate legs for tables with tops that are 24", 27" or 30" deep are, set back 1 1/2" from the front edge of 24" deep tops, 4 1/2" from the front of 27" deep tops, and 7 1/2" from the front of 30" deep tops. End legs and intermediate legs for basic big tables with 36" deep tops are set back 7 1/2" from the front edge.

For big tables with tops deeper than 18", inset intermediate legs offer more kneespace than standard intermediate legs: inset intermediate legs are recessed 9" from front edge of 24" deep tops, 12" from front of 27" deep tops and 15" from front of 30" or 36" deep tops.

End legs can be positioned from 1 1/2" to 6" in from the end of a big table top, or centered under the joint of a top and extension top. Intermediate legs or inset intermediate legs must be mounted directly under the joint of two tops.

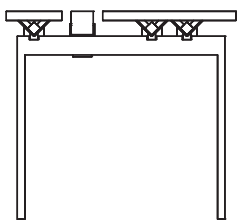
Returns For Single Sided Big Tables

Returns can be attached anywhere along basic or full back single sided big tables. Standard desk return rails can be specified with 18" or 24" deep big table tops. Since rails on deeper big tables are recessed further from the front edge, specify return rails 6" wider than the actual return top width for 27"D big tables, and 9" wider than the actual return width for 30" or 36" deep big tables.

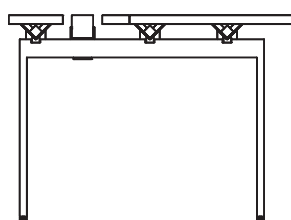


Single Sided Full Back Big Table with 27" Deep Tops and Stanchion Mounted Open Cabinet

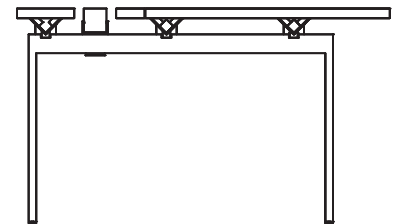
Full Back Single Sided Big Table with 36" Deep Tops



Single Sided Full Back Big Table with 18" Deep Tops End Elevation



Single Sided Full Back Big Table with 27" Deep Tops End Elevation



Single Sided Full Back Big Table with 36" Deep Tops

When specified and installed correctly, Antenna desks are extraordinarily strong and stable and meet or exceed BIFMA stability guidelines.

Rails can support Antenna tops and Overlay tops for up to 84" between supports, so desk tops wider than 84", returns wider than 78" or bridges wider than 72" require intermediate support from a desk end leg, floorstanding pedestal or Template

storage unit. Desk and big table tops are able to span 48"-84" between end legs.

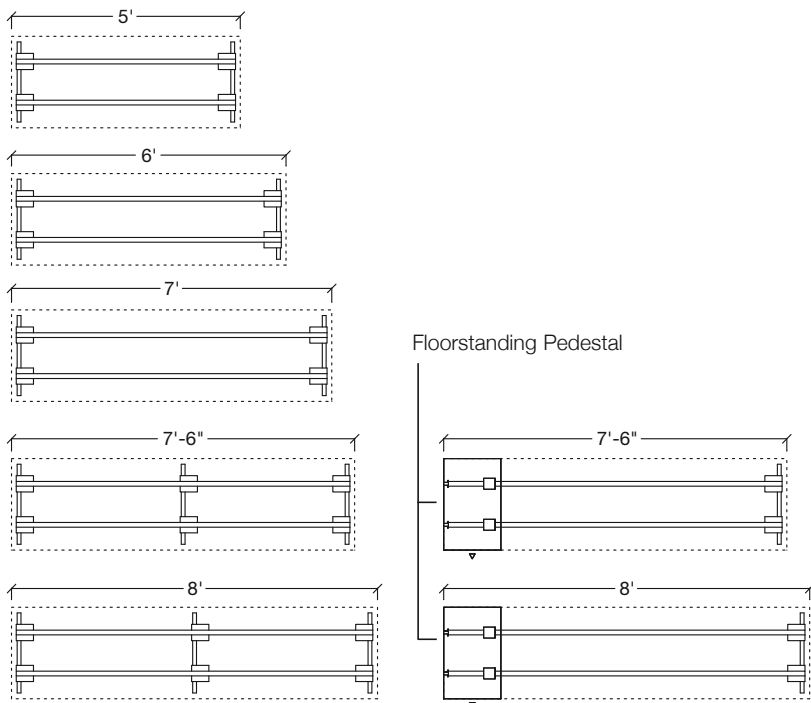
Desk end legs can be inset up to 6" from each end of freestanding desks of any width or up to 15" from ends of tops wider than 78". Rails for tops extending more than 7 1/2" should be fitted with YBCDE connectors to attach the end of the rail to the top.

Standing height end legs can create standing height tables from 48" to 72"

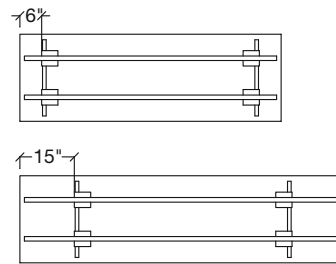
wide. Standing height end legs may not be used with single tops wider than 72".

For stability of desks with suspended storage and legs positioned inside of the cabinet, desk top must be anchored to the cabinet and desk top must be anchored to the other end with a floorstanding pedestal, a Template storage unit, Fence, a return or a bridge top.

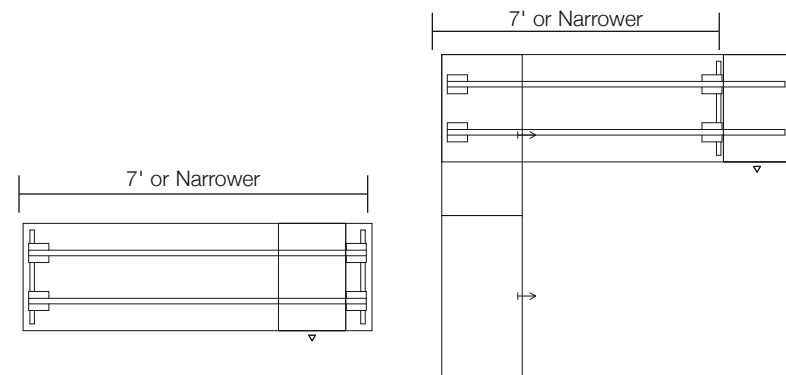
Fence with stanchion mounted storage must be anchored to a desk to provide sufficient stability.



Desk Support Stability Guidelines

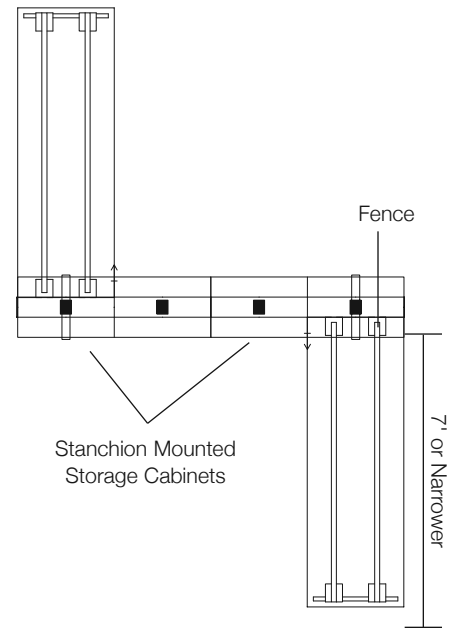


Standard End Leg Positions

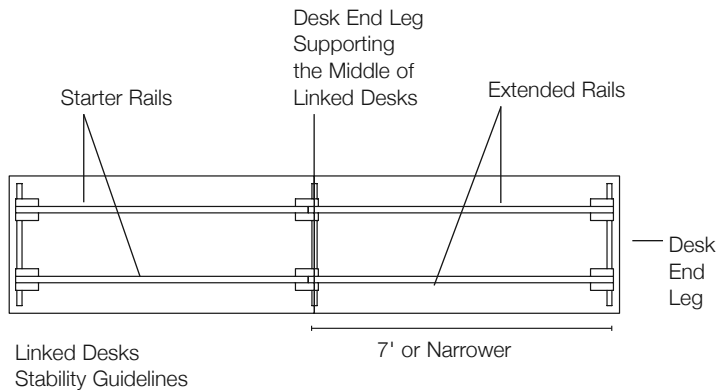
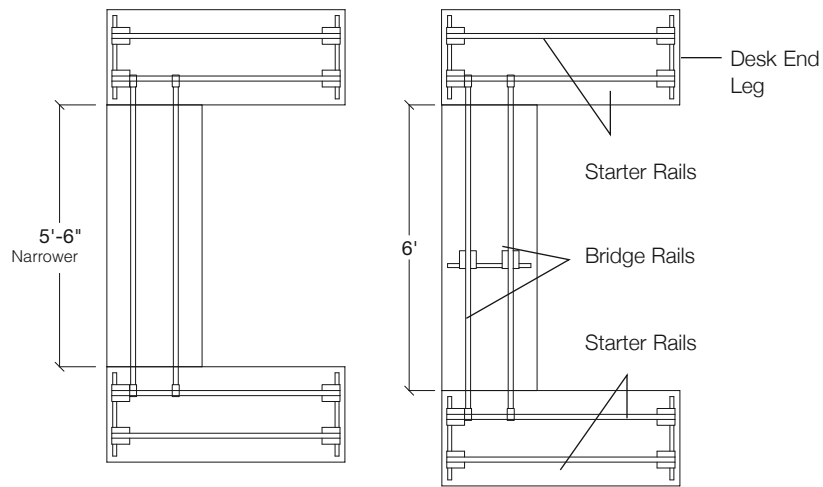
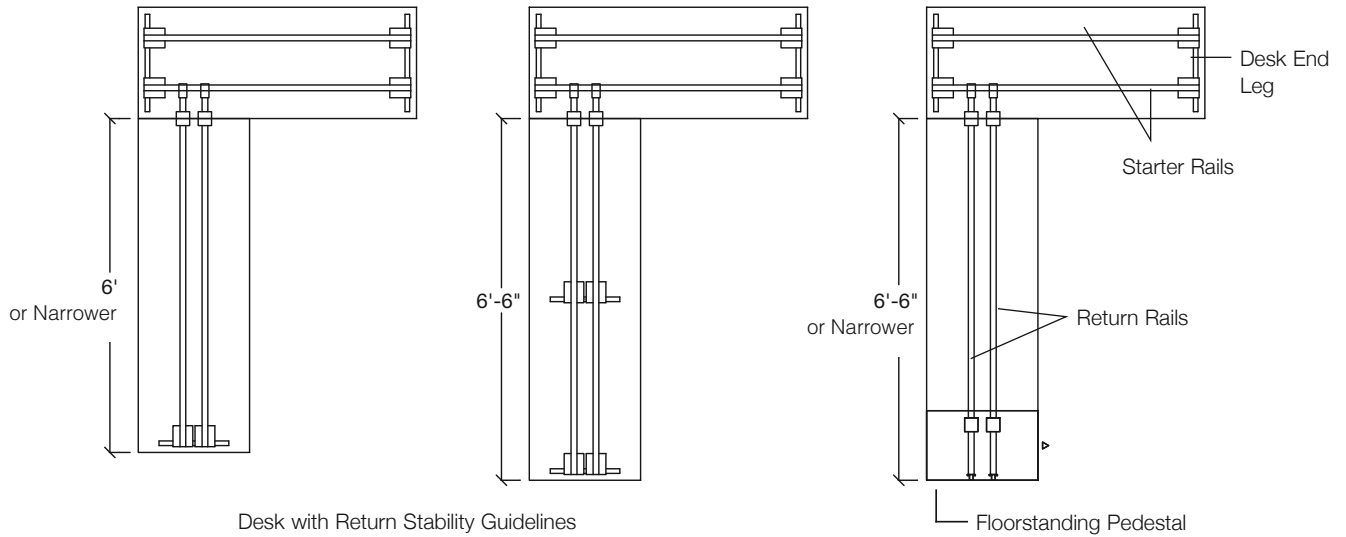


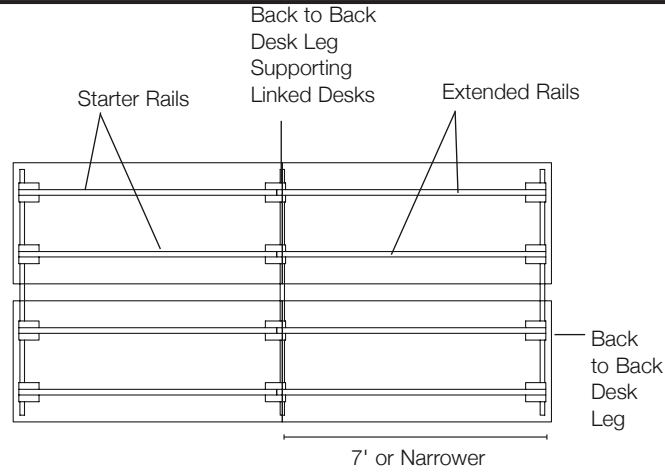
Desk with Suspended Storage Inside of Leg

Desk with Suspended Storage Outside of Leg

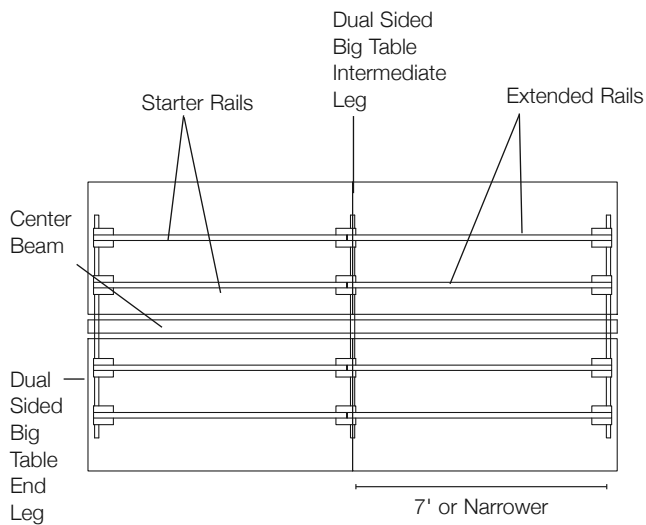


Fence Storage Stability Guidelines

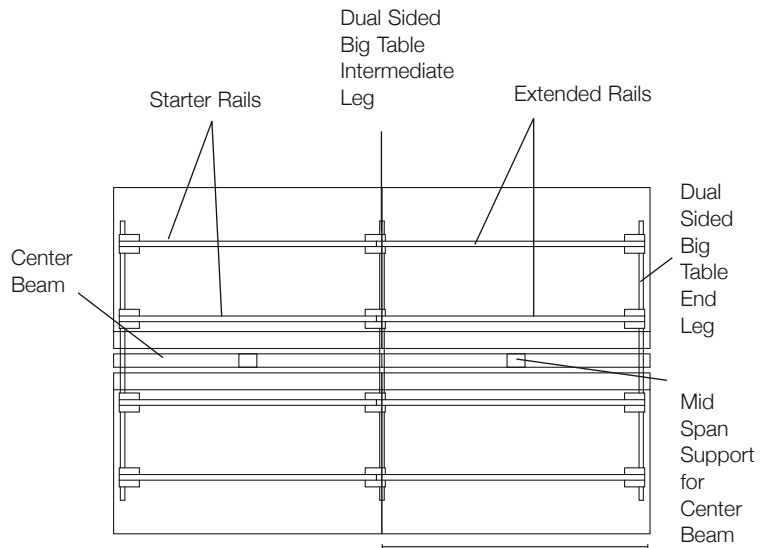




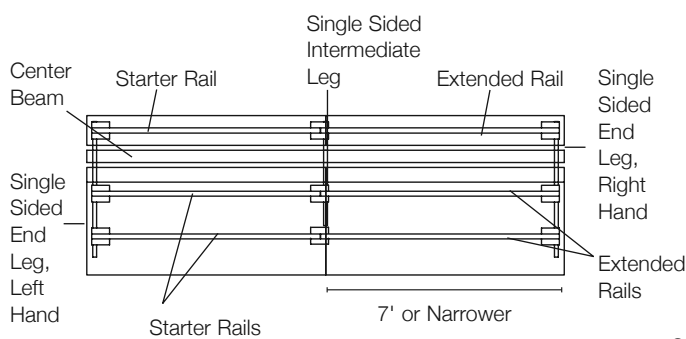
Back to Back Desks Stability Guidelines



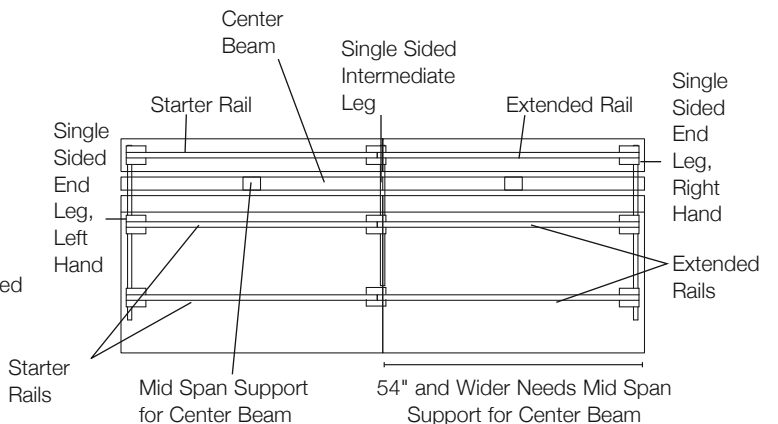
18", 24", 27" or 30" Deep Dual Sided Big Table Stability Guidelines



36" Deep Dual Sided Big Table Stability Guidelines



18", 24", 27" or 30" Deep Single Sided Big Table Stability Guidelines



36" Deep Single Sided Big Table Stability Guidelines

Starter and Extended Rails

Planning Guidelines and Specifications

Rails are a pair of painted steel tubes used to support an Antenna top and connect to the end legs. Rails correspond in width to the top or combination of top and extension top or cabinet. Rails are available in complete sets for specific applications: starter, extended, return and bridge.

Starter rails support an independent desk top, the first top in a linked cluster of desks or the first top in single-sided or dual big table applications. Starter rails include two rails 3" less than the width of a top, four end caps and spacers to support the center of the top above the rails. Starter rails are also available without end caps for use in table desk applications. Table desk end legs cover the ends of the rails,

so end caps are not needed. Starter rails are available in 6" increments from 33" to 93" wide.

Extended rails support a desk top planned end-to-end with another desk top, in both single-sided and dual big table configurations. Intermediate leg should be centered and cradles positioned to join the adjacent rails where the two desk tops meet. Extended rails include two rails the same width as a top, spacers and top to top brackets. Extended rails are available in 6" increments from 36" to 96" wide.

A single sided big table primary top uses the same starter and extended rails as dual sided big table tops. A single starter or extended rail must be specified to support the 7 1/2" deep back-top that is on the opposite side of

the center beam from the primary top. Single rails should be specified the same width as the rail pairs specified for the primary top.

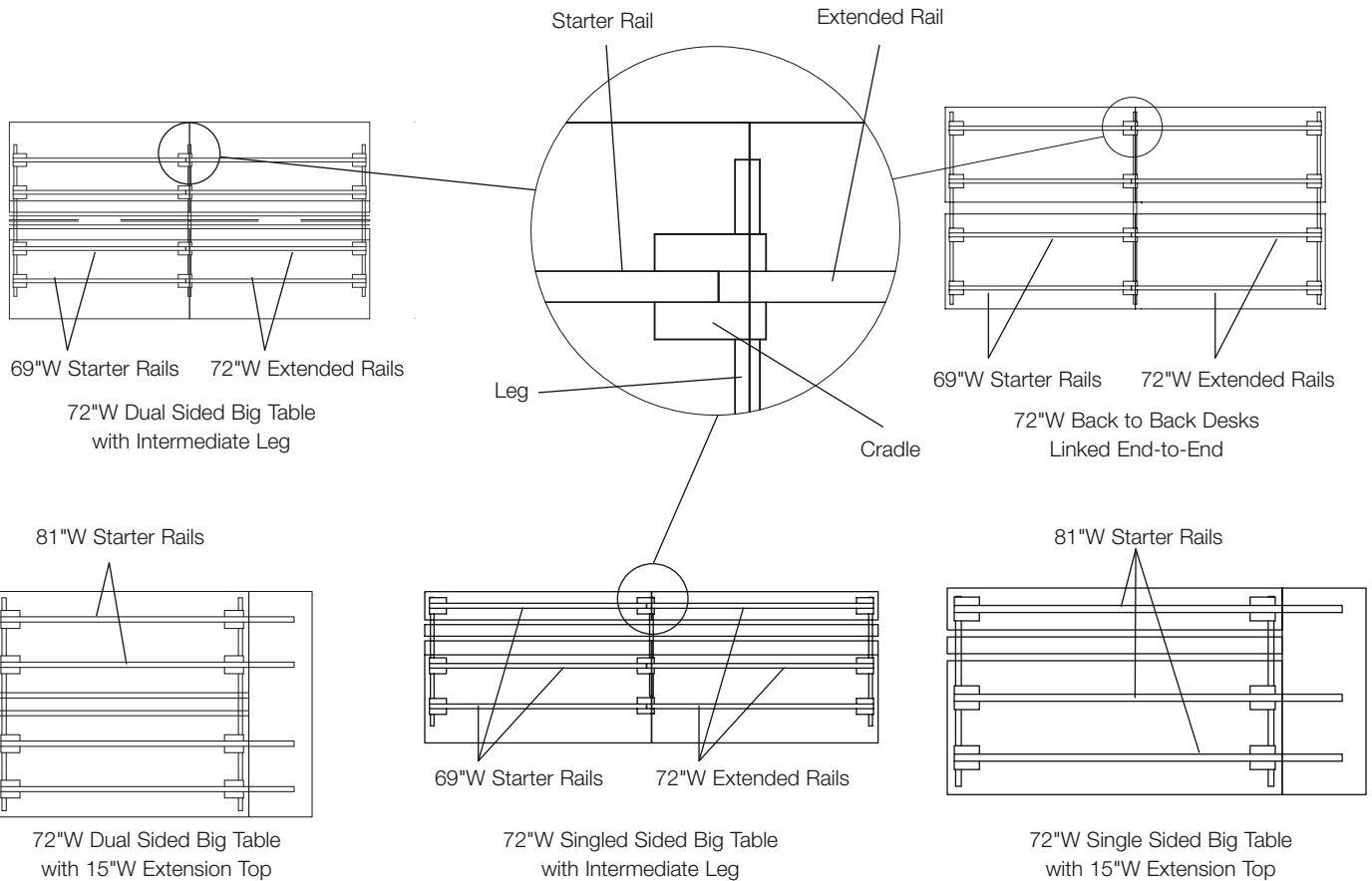
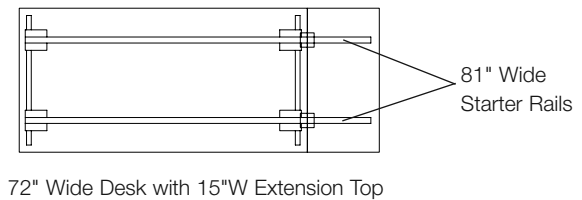
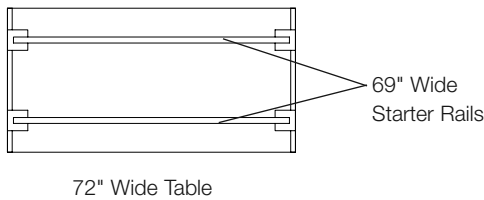
Connector kits for extension tops are required when cantilevering an extension surface to rails beyond a desk end leg. Desk or big tables rails should be specified 12" wider than adjacent surface for 15"W extension tops or 15" wider than adjacent surface for 18"W extension tops.

Construction

Rails are 1 1/4" square steel tube. End caps are die cast aluminium. Return adapters are die cast aluminium.

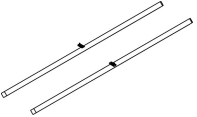
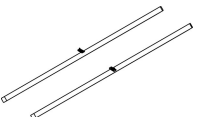
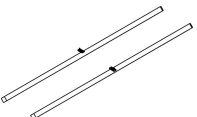
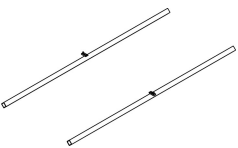
Specifications Options

Specify rails and end caps in any Knoll core, Dark Red or Slate Blue paint finish.



Starter and Extended Rails

Rail Pairs For Desks, Tables or Big Tables

description	type	w	d	h	pattern no.	list
Starter Rails with End Caps (pair) 	For 36" Wide Desk	33"	1"	1"	YBRS33	\$110.
	For 42" Wide Desk	39"	1"	1"	YBRS39	130.
	For 48" Wide Desk	45"	1"	1"	YBRS45	142.
	For 54" Wide Desk	51"	1"	1"	YBRS51	182.
	For 60" Wide Desk	57"	1"	1"	YBRS57	185.
	For 66" Wide Desk	63"	1"	1"	YBRS63	191.
	For 72" Wide Desk	69"	1"	1"	YBRS69	196.
	For 78" Wide Desk	75"	1"	1"	YBRS75	199.
	For 84" Wide Desk	81"	1"	1"	YBRS81	308.
	For 90" Wide Desk	87"	1"	1"	YBRS87	313.
	For 96" Wide Desk	93"	1"	1"	YBRS93	315.
Starter Rails without End Caps, For Use with Table Desks (pair) 	For 36" Wide Desk	33"	1"	1"	YBRT33	94.
	For 42" Wide Desk	39"	1"	1"	YBRT39	103.
	For 48" Wide Desk	45"	1"	1"	YBRT45	128.
	For 54" Wide Desk	51"	1"	1"	YBRT51	167.
	For 60" Wide Desk	57"	1"	1"	YBRT57	170.
	For 66" Wide Desk	63"	1"	1"	YBRT63	176.
	For 72" Wide Desk	69"	1"	1"	YBRT69	180.
	For 78" Wide Desk	75"	1"	1"	YBRT75	183.
	For 84" Wide Desk	81"	1"	1"	YBRT81	294.
	For 90" Wide Desk	87"	1"	1"	YBRT87	299.
	For 96" Wide Desk	93"	1"	1"	YBRT93	301.
Starter Rails without End Caps, For Use with Antenna Tops with Two Extension Tops (pair) 	For 102" Wide Table	99"	1"	1"	YBRT99	384.
	For 108" Wide Table	105"	1"	1"	YBRT105	394.
	For 114" Wide Table	111"	1"	1"	YBRT111	404.
Extended Rails (pair) 	For 36" Wide Desk	36"	1"	1"	YBRE36	87.
	For 42" Wide Desk	42"	1"	1"	YBRE42	108.
	For 48" Wide Desk	48"	1"	1"	YBRE48	157.
	For 54" Wide Desk	54"	1"	1"	YBRE54	160.
	For 60" Wide Desk	60"	1"	1"	YBRE60	164.
	For 66" Wide Desk	66"	1"	1"	YBRE66	167.
	For 72" Wide Desk	72"	1"	1"	YBRE72	173.
	For 78" Wide Desk	78"	1"	1"	YBRE78	282.

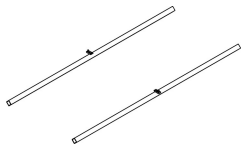
Desk and Table Support

Ordering Information	Order Code	Included With	Options
Rails 1. Pattern Number 2. Paint Finish	Rails <hr/> <i>Example:</i> YBRS63, 118T <hr/> YBR Rails <hr/> S Starter <hr/> 63 Width <hr/> 118T Bright White Paint	Starter Rails Spacers End Caps (not included with Table Desk rails) Extended Rails Spacers Flat Brackets	Rails

Starter and Extended Rails

Rail Pairs For Desks, Tables or Big Tables

description	type	w	d	h	pattern no.	list
Extended Rails (pair)	For 84" Wide Desk	84"	1"	1"	YBRE84	\$285.
	For 90" Wide Desk	90"	1"	1"	YBRE90	290.
	For 96" Wide Desk	96"	1"	1"	YBRE96	296.



Ordering Information

- Rails**
 1. Pattern Number
 2. Paint Finish

Order Code

Rails

Example: **YBRS63, 118T**

YBR Rails

S Starter

63 Width

118T Bright White Paint

Included With

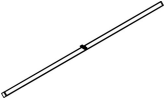
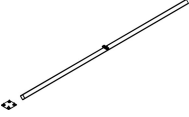
Starter Rails
 Spacers
 End Caps (not included with Table
 Desk rails)
Extended Rails
 Spacers
 Flat Brackets

Options

Rails

Starter and Extended Rails

Rail Singles for Single Sided Big Tables

description	type	w	d	h	pattern no.	list
 <p>Single Starter Rails for Single Sided Big Tables</p>	For 48" Wide Desk	45"	1"	1"	YBRBTS45	\$74.
	For 54" Wide Desk	51"	1"	1"	YBRBTS51	98.
	For 60" Wide Desk	57"	1"	1"	YBRBTS57	100.
	For 66" Wide Desk	63"	1"	1"	YBRBTS63	101.
	For 72" Wide Desk	69"	1"	1"	YBRBTS69	104.
	For 78" Wide Desk	75"	1"	1"	YBRBTS75	107.
	For 84" Wide Desk	81"	1"	1"	YBRBTS81	173.
	For 90" Wide Desk	87"	1"	1"	YBRBTS87	175.
	For 96" Wide Desk	93"	1"	1"	YBRBTS93	176.
 <p>Single Extended Rails for Single Sided Big Tables</p>	For 48" Wide Desk	48"	1"	1"	YBRBTE48	92.
	For 54" Wide Desk	54"	1"	1"	YBRBTE54	93.
	For 60" Wide Desk	60"	1"	1"	YBRBTE60	95.
	For 66" Wide Desk	66"	1"	1"	YBRBTE66	97.
	For 72" Wide Desk	72"	1"	1"	YBRBTE72	99.
	For 78" Wide Desk	78"	1"	1"	YBRBTE78	165.
	For 84" Wide Desk	84"	1"	1"	YBRBTE84	166.
	For 90" Wide Desk	90"	1"	1"	YBRBTE90	168.
	For 96" Wide Desk	96"	1"	1"	YBRBTE96	170.

Desk and Table Support

Ordering Information	Order Code	Included With	Options
Rails 1. Pattern Number 2. Paint Finish	Rails <i>Example:</i> YBRBTS57, 118T YBR Rails BTS Single Sided Big Table 57 Width 118T Bright White Paint	Starter Rails Spacers End Caps Extended Rails Spacers Flat Brackets	Rails

Return and Bridge Rails

Planning Guidelines and Specification

Return rails support a top planned as a return perpendicular to another desk top. Return rail kits also support returns off of a big table with 18", 24", 27", 30" or 36"D tops. For returns connected to 18" or 24" deep big tables, specify return rails 3" wider than the return top. For returns off of 27" deep big tables, specify return rails 6" wider than the return top. For returns off of 30" or 36" deep big tables, specify return rails 9" wider than the return top.

Return rails include two rails 4 1/2" wider than a top, return adapters, one pair of end caps and spacers to support the return top where it meets the desk top.

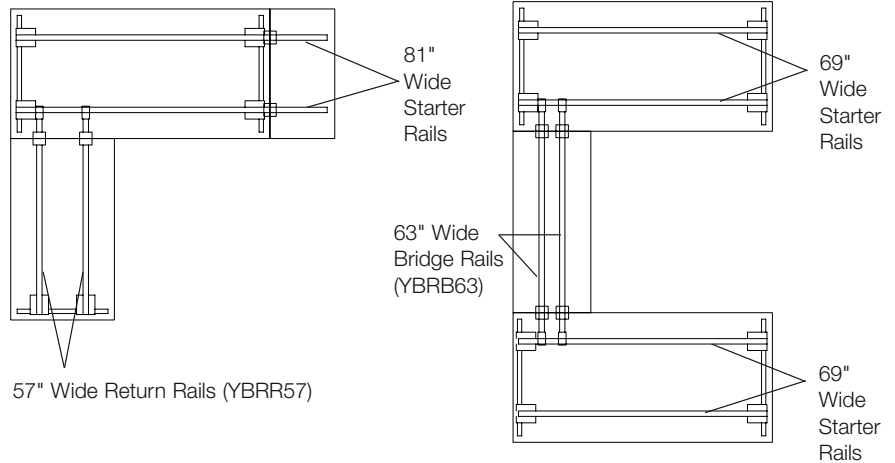
Bridge rails support a desk top planned as a bridge spanning between two desk tops. Bridge rails include two rails 9" wider than a top, two pairs of return adapters and spacers. Bridge rails can also be planned between big tables that have 18" or 24" deep tops. For bridges between big tables 27" deep, specify bridge rails 15" wider than top and for bridges between big tables 30" or 36" deep specify bridge rails 21" wider than top.

Construction

Rails are 1 1/4" square steel tubes. End caps are die cast aluminum. Return adapters are die cast aluminum.

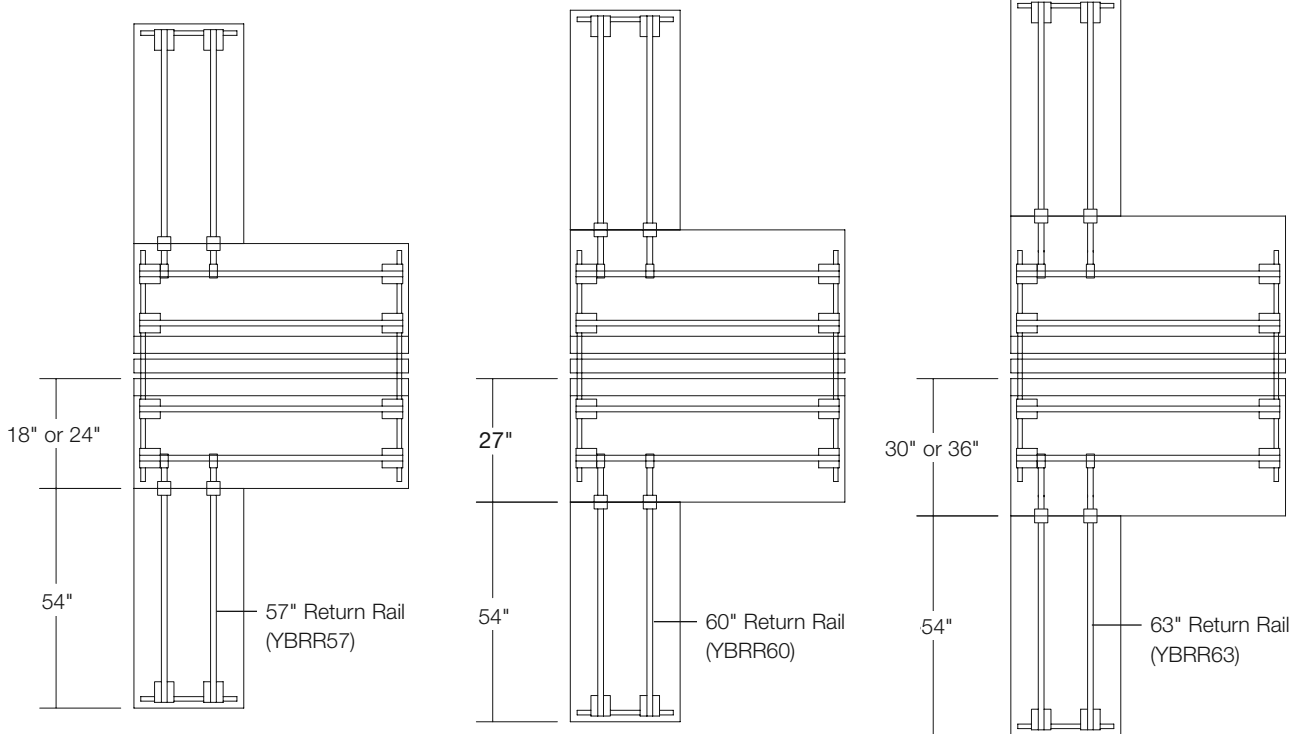
Specification Options

Specify rails and end caps in any Knoll core, Slate Blue or Dark Red paint finish.



72" W, 24"D Desk with Extension Top and 54" Wide Return

72" W, 24"D Desk with 54" Wide Bridge



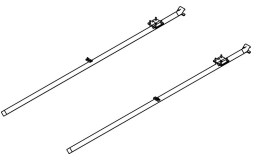
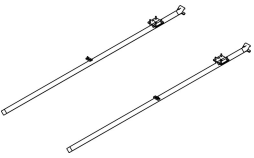
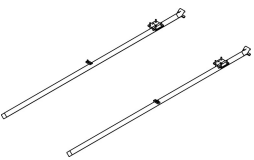
18" or 24" Deep Big Table with 54" Wide Return

27" Deep Big Table with 54" Wide Return

30" or 36" Deep Big Table with 54" Wide Return

Return and Bridge Rails

Rail Pairs For Desks, Tables or Big Tables

description	type	w	d	h	pattern no.	list
 Return Rails for any Depth Desk or 24" Deep Big Tables (pair)	For 30" Wide Return	33"	1"	1"	YBRR33	\$161.
	For 36" Wide Return	39"	1"	1"	YBRR39	183.
	For 42" Wide Return	45"	1"	1"	YBRR45	186.
	For 48" Wide Return	51"	1"	1"	YBRR51	228.
	For 54" Wide Return	57"	1"	1"	YBRR57	233.
	For 60" Wide Return	63"	1"	1"	YBRR63	238.
	For 66" Wide Return	69"	1"	1"	YBRR69	242.
	For 72" Wide Return	75"	1"	1"	YBRR75	246.
	For 78" Wide Return	81"	1"	1"	YBRR81	355.
	For 84" Wide Return	87"	1"	1"	YBRR87	361.
For 90" Wide Return	93"	1"	1"	YBRR93	364.	
 Return Rails for Big Tables 27" Deep (pair)	For 30" Wide Return	36"	1"	1"	YBRR36	163.
	For 36" Wide Return	42"	1"	1"	YBRR42	184.
	For 42" Wide Return	48"	1"	1"	YBRR48	227.
	For 48" Wide Return	54"	1"	1"	YBRR54	230.
	For 54" Wide Return	60"	1"	1"	YBRR60	236.
	For 60" Wide Return	66"	1"	1"	YBRR66	239.
	For 66" Wide Return	72"	1"	1"	YBRR72	244.
	For 72" Wide Return	78"	1"	1"	YBRR78	352.
	For 78" Wide Return	84"	1"	1"	YBRR84	356.
	For 84" Wide Return	90"	1"	1"	YBRR90	363.
 Return Rails for Big Tables 30" Deep (pair)	For 30" Wide Return	39"	1"	1"	YBRR39	183.
	For 36" Wide Return	45"	1"	1"	YBRR45	186.
	For 42" Wide Return	51"	1"	1"	YBRR51	228.
	For 48" Wide Return	57"	1"	1"	YBRR57	233.
	For 54" Wide Return	63"	1"	1"	YBRR63	238.
	For 60" Wide Return	69"	1"	1"	YBRR69	242.
	For 66" Wide Return	75"	1"	1"	YBRR75	246.
	For 72" Wide Return	81"	1"	1"	YBRR81	355.
	For 78" Wide Return	87"	1"	1"	YBRR87	361.
	For 84" Wide Return	93"	1"	1"	YBRR93	364.

Desk and Table Support

Ordering Information

- Rails**
1. Pattern Number
 2. Paint Finish

Order Code

Return Rails	
<i>Example:</i> YBRR63, 118T	
YBR	Rails
R	Return
63	Width
118T	Bright White Paint

Included With

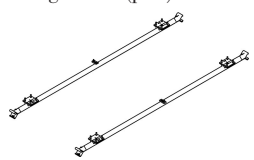
- Return Rails**
- Spacers
 - Brackets
 - End Caps
 - Flat Brackets
- Bridge Rails**
- Brackets
 - Spacers
 - Flat Brackets

Options

- Rails**

Return and Bridge Rails

Rail Pairs For Desks, Tables or Big Tables

description	type	w	d	h	pattern no.	list
Bridge Rails (pair) 	For 30" Wide Bridge	39"	1"	1"	YBRB39	\$229.
	For 36" Wide Bridge	45"	1"	1"	YBRB45	234.
	For 42" Wide Bridge	51"	1"	1"	YBRB51	276.
	For 48" Wide Bridge	57"	1"	1"	YBRB57	279.
	For 54" Wide Bridge	63"	1"	1"	YBRB63	283.
	For 60" Wide Bridge	69"	1"	1"	YBRB69	288.
	For 66" Wide Bridge	75"	1"	1"	YBRB75	291.
	For 72" Wide Bridge	81"	1"	1"	YBRB81	403.
	For 78" Wide Bridge	87"	1"	1"	YBRB87	407.
	For 84" Wide Bridge	93"	1"	1"	YBRB93	409.

Ordering Information

- Rails**
 1. Pattern Number
 2. Paint Finish

Order Code

Return Rails

Example: **YBRR63, 118T**

YBR Rails

R Return

63 Width

118T Bright White Paint

Included With

Return Rails
 Spacers
 Brackets
 End Caps
 Flat Brackets

Bridge Rails
 Brackets
 Spacers
 Flat Brackets

Options

Rails

Desk Connectors

Planning Guidelines and Specifications

Desk Connector Kits

Desks or big tables with extension tops or extension cabinets require longer rails and additional connector kits to secure and align the extensions with the adjacent tops. Above desk or big table extension cabinet bottoms and below desk or big table extension cabinet tops are detailed as visual extensions of the adjacent desk or big table, and are supported in the same way as extension tops.

For an individual desk with 15"W extension top or cabinet, specify starter rails for the next 12" longer desk top. If the leg is positioned at the end of the desk, add connector kit YBCDE.

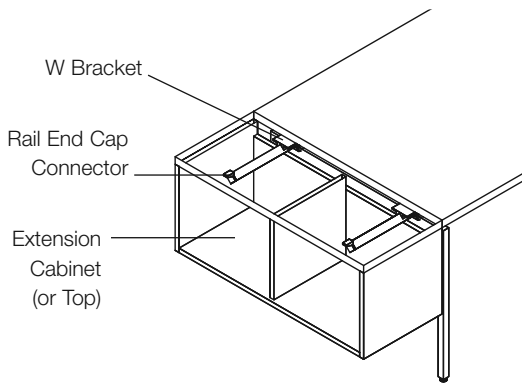
The YBCDE kit includes two W brackets that join the top to the extension over the rails, two rail end caps that connect the ends of the rails to the underside of the extension and two flat brackets that align the front and back of the desktop with the extension.

Alternatively, if the leg is positioned under the extension top or an above desk cabinet specify 12" longer rails and add connector kit YSDXUP. The YSDXUP kit includes only the two W brackets that join the top to the extension over the rails, while the desk leg cradle connects directly to the extension top or cabinet.

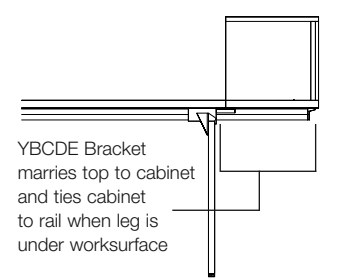
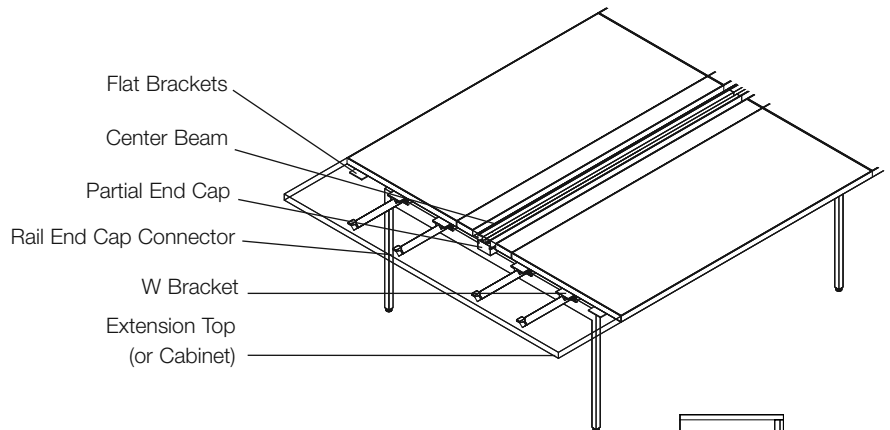
For a big table with 15"W extension top or cabinet, specify starter rails on both sides of the big table for the next 12" longer desk top and add connector kit YBTE. The YBTE kit includes four W brackets that join the top to the extension over the rails, four rail end caps that connect the ends of the rails to the underside of the extension and two flat brackets that align the front edges of the big table tops with the extension.

Big table end legs cannot be positioned under the extension top or an above big table extension cabinet because the leg must support the center beam between the big table tops.

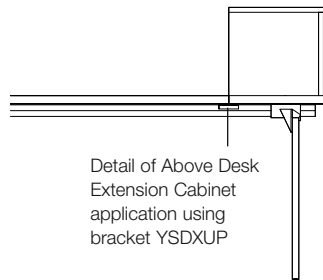
Connector Kit (YBCDE) for Desk Extension Tops or Cabinets



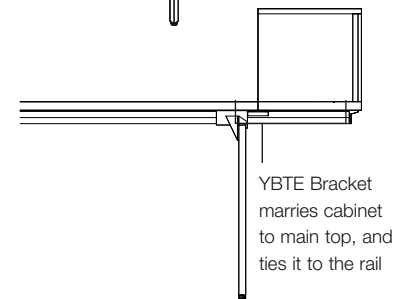
Connector Kit (YBTE) for Big Table Extension Tops or Cabinets



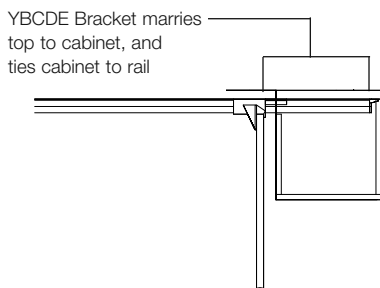
Above Desk Extension Cabinet Elevation, Leg Under Worksurface



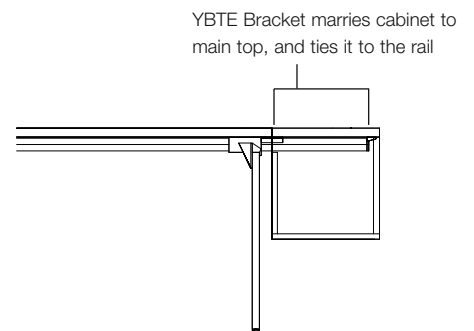
Above Desk Extension Cabinet Elevation, Leg Under Cabinet



Above Desk Extension Cabinet for Big Table Elevation



Below Desk Extension Cabinet Elevation

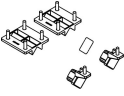
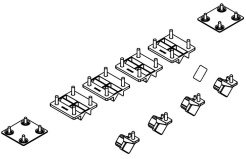
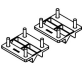
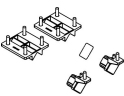
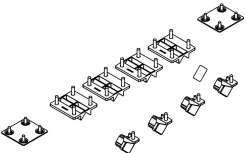


Below Desk Extension Cabinet for Big Table Elevation

*End Leg must stay under the Center Beam and can not be moved out to be placed under the extension top or cabinet

Desk Connectors

Connector Kit for Extension Tops and Cabinets

description	type	pattern no.	list
Connector Kit for Desk Extension Tops 	2 Brackets	YBCDE	\$47.
Connector Kit for Big Table Extension Tops 	4 Brackets	YBTE	107.
Connector Kit for Above Desk Extension Cabinets 	2 Brackets	YSDXUP	30.
Connector Kit for Above or Below Desk Extension Cabinets 	2 Brackets	YBCDE	47.
Connector Kit for Above and Below Big Table Extension Cabinets 	4 Brackets	YBTE	107.

Ordering Information	Order Code	Included With	Options
Desk Connectors	Desk Connectors	Desk Connectors	Desk Connectors
1. Pattern Number	<i>Example:</i> YBCDE, 118T	Brackets	
2. Paint Finish	YBC Connector Kit	Hardware	
	DE Desk Extension		
	118T Bright White Paint		

Antenna desks can be supported by pedestals, floorstanding wood cabinets, Template storage units and Fence by using desk support adapters. Desk support adapters connect the desk rails to the supporting component.

Pedestal Desk Support

Pedestal support adapter (YBATE25) supports a desk on top of a 25" high pedestal or floorstanding cabinet. Pedestal support adapters mount on the left side of a right-hand position standard width pedestal. Pedestal support adapters mount on the right side of a left-hand position pedestal. Pedestal support adapters also mount on the "inside" edge of a perpendicular 25" high floorstanding wood cabinet.

Double Wide Pedestal Desk Support

For double wide metal pedestals or 25" high floorstanding wood cabinets parallel with a desk or return, specify kit YBAW25, which includes pedestal support adapters, positioning brackets and rail end connectors.

Pedestal Positioning Brackets

Positioning brackets (YSFA) stabilize and maintain position of floorstanding 25" high pedestals under desk or big table rails when the pedestal is not integrated into the desk structure. Positioning brackets enable floorstanding pedestals to mount adjacent to end legs or other floorstanding pedestals that are connected to the desk with YBATE25 brackets. They are also applicable under bridge tops or tops supported by Fence or Template storage. Positioning brackets fasten with

screws into the holes in the top of the pedestal corresponding to desk support rails, or they may be adhered in position under the rails of a big table (adhesive not included in kit).

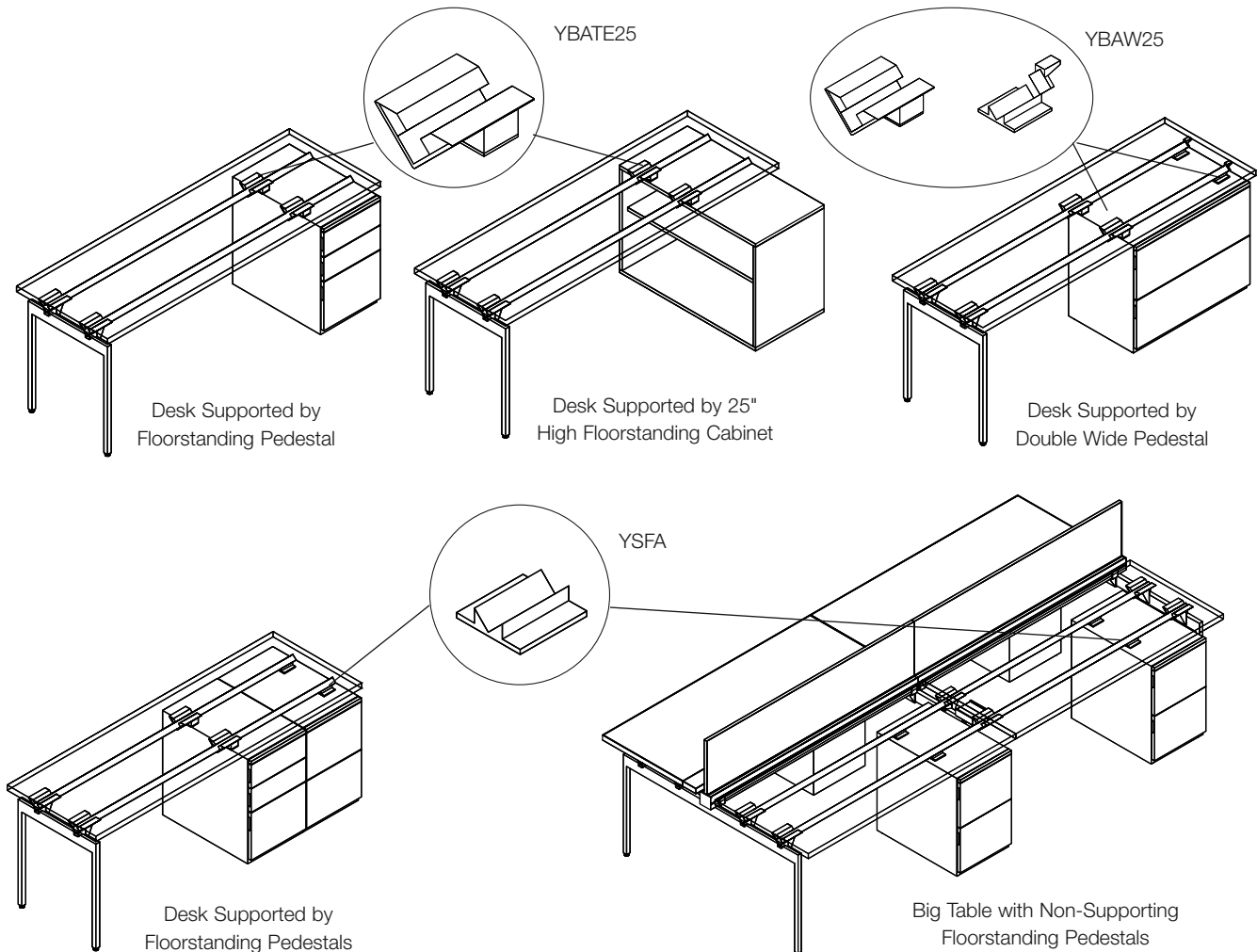
Ballast kits are still recommended for most floorstanding pedestal and double wide pedestal applications, but positioning brackets may make ballast unnecessary for pedestals in multiple-position big tables.

Construction

Desk support adapters consist of painted, die cast aluminum cradles and brackets.

Specification Options

Specify desk support adapters in any Knoll Core paint finish.



Desk Support Adapters

Planning Guidelines and Specifications

Fence Desk Support

Fence desk support adapters are available for both 25" high (YBAFE25) and 28" high (YBAFE28) Fence applications when Antenna tops are mounted perpendicular to the fence wall.

Template Desk Support

Template desk support adapters connect the end of Antenna desk rails to Template tops or worksurface shelves.

When supported by a 22" high Template cabinet or floorstanding wood cabinet, YBATE22 connects the front edge of the top to standard starter rails that are 3" less wide than the top.

When supported by a 25" high Template cabinet or floorstanding wood cabinet, YBATE25 connects the front edge of the top to standard starter rails 3" less wide than the top.

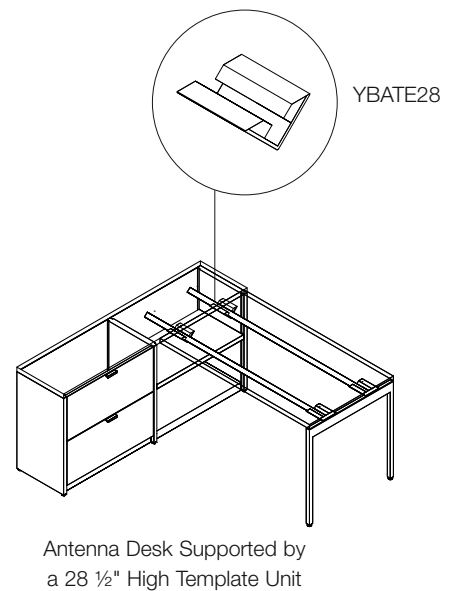
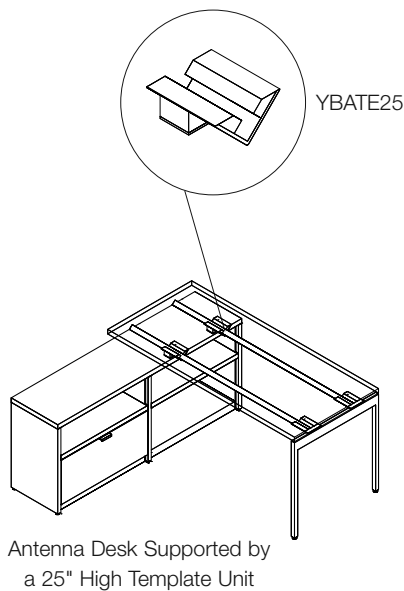
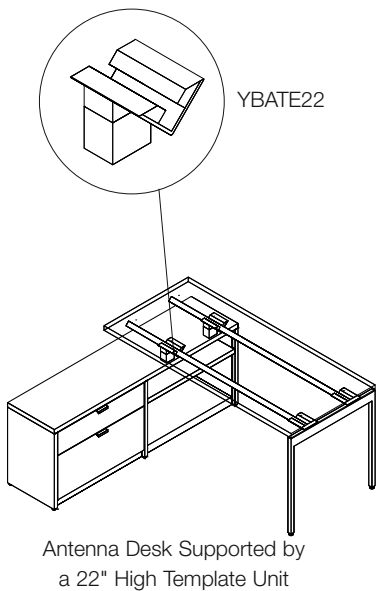
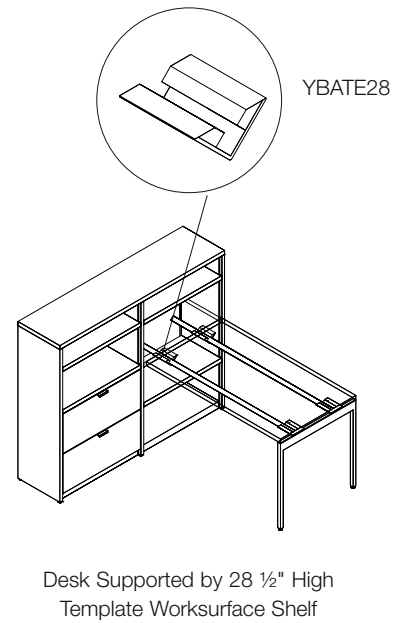
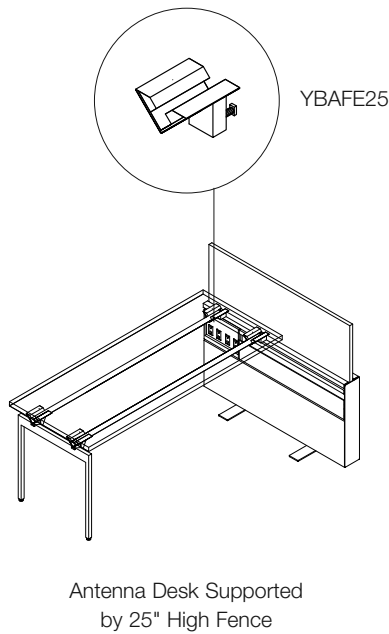
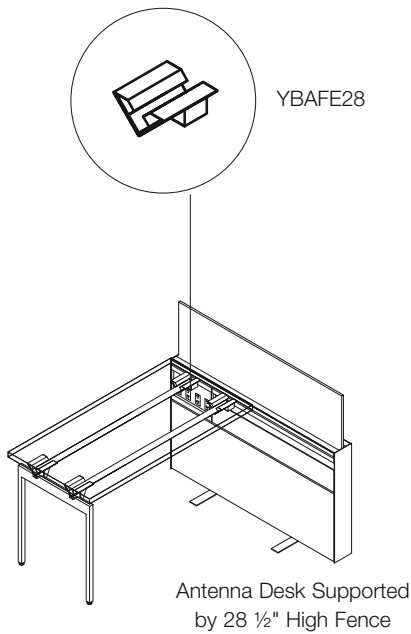
When supported by an adjacent 28" high Template cabinet, floorstanding open wood cabinet or the worksurface shelf of taller Template units, YBATE28 connects the underside of the top or shelf to starter rails 9" longer than the desktop (starter rails for a 12" longer desk).

Construction

Desk support adapters consist of painted die cast aluminum cradles and brackets.

Specification Options

Specify desk support adapters in any Knoll Core paint finish.



Desk Support Adapters

Planning Guidelines and Specifications

Template Big Table Support

Template desk support adapters for big table enable 22" or 25" high Template storage cabinets to support the end of a big table in place of an end leg. Template assembly must be at least 48" wide, centered under the end of the big table and equipped with laminate or veneer top. Template desk support adapters are not applicable in the center of a big table to take the place of an intermediate leg. Template/Anchor big table support adaptor work with 24" - 30"D big table tops.

Template desks support adapters for big table and 22" high Template include a steel tube, which matches the top cross member of an end leg, with standard cradles supporting the rails and brackets supporting the center beam. Steel tube is secured to the top of Template storage with steel plates and wood screws.

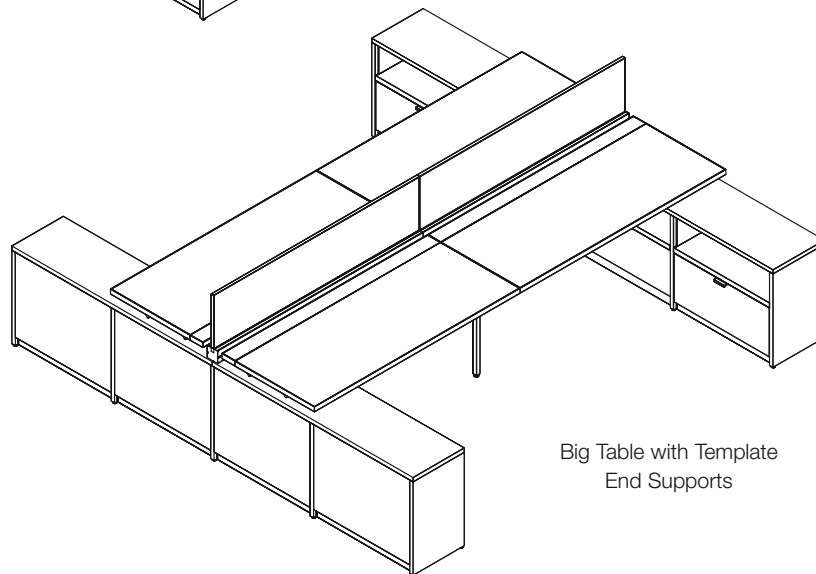
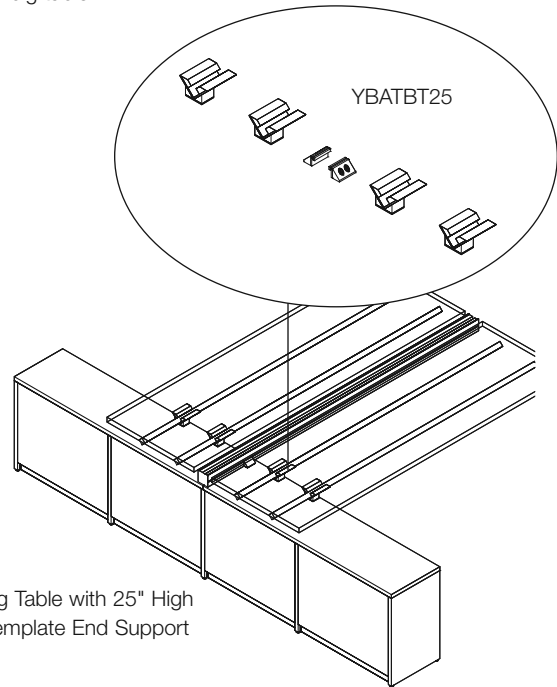
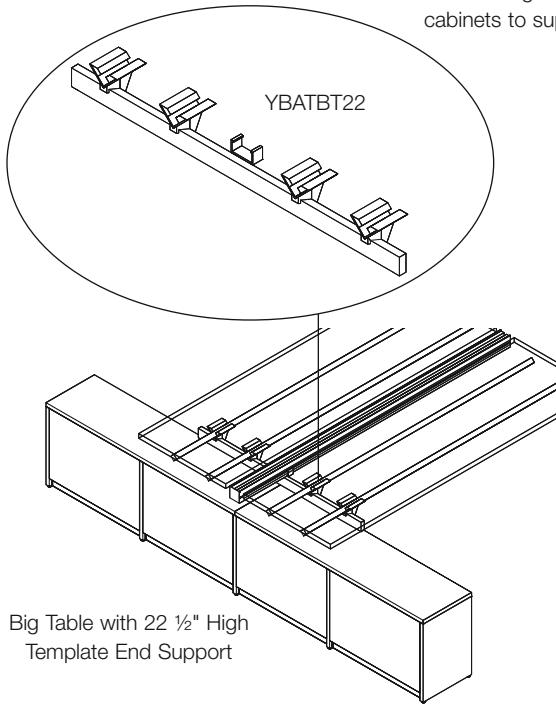
Template desk support adapters for big table and 25" high Template include a cast aluminum bracket on either side of the center beam and standard YBATE25 cradles securing the rails to the Template top. Desk support adapters may also be used with 25" high Antenna floorstanding wood cabinets to support the end of a big table.

Construction

Desk support adapters consist of painted die cast aluminum cradles and brackets and steel cross member.

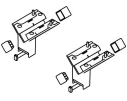
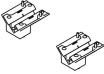

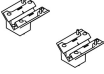
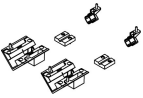
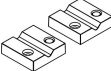
Specification Options

Specify desk support adapters in any Knoll Core paint finish.



Desk Support Adapters

For Fence, Template, Floorstanding Cabinets and Pedestals

description	type	w	d	h	pattern no.	list
	For use with 25" High Fence	4"	3"	1 3/4"	YBAFE25	\$118.
	For use with 28 1/2" High Fence	4"	3"	3"	YBAFE28	118.
<i>(YBAFE25 shown)</i>						
	For use with 28 1/2" High Case or Worksurface Shelf	4"	3"	1 3/4"	YBATE28	113.
	For use with 25" High Case	4"	3"	3"	YBATE25	100.
	For use with 22 1/2" High Case (credenza height)	4"	3"	5 1/2"	YBATE22	124.
<i>(YBATE25 shown)</i>						
	For use with 22 1/2" High Case (credenza height)				YBATBT22	591.
	For use with 25" High Case				YBATBT25	229.
<i>(YBATBT25 shown)</i>						
	For use with Floorstanding 25" High Pedestal	4"	3"	3"	YBATE25	100.
<i>(YBATE25 shown)</i>						
	For use with Double Wide Pedestal	4"	3"	3"	YBAW25	130.
	Includes 2 brackets and hardware				YSFA	16.

Ordering Information

Desk Support Adaptors

1. Pattern Number
2. Paint Finish

Order Code

Desk Support Adaptors

Example: **YBAFE25, 118T**

YBA Adapter

FE Fence

25 Height

118T Bright White Paint

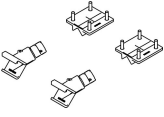
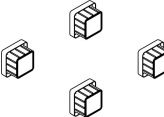
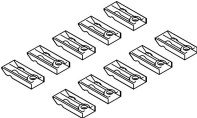

Included With

Desk Support Adaptors
Hardware

Options

Desk Support Adaptors

Connectors, End Caps, Worksurface Spacers and Flat Brackets

description	type	w	d	h	pattern no.	list
 Return or Bridge Rail Connector Kit (pair)	For Return or Bridge Connection	2"	1 1/4"	1 1/4"	YBCRR	\$66.
 Rail End Caps (Set of 4)	For End of Rails	1"	1/2"	1"	YBRE	30.
 Rail to Worksurface Spacers	Package of 10	1 3/4"	1/2"	1/4"	YBCWS	18.
 Flat Brackets Kit (pair)	For use with Adjacent Desks linking End-to-End or Back-to-Back	3"	2 3/4"	1/4"	YBF	13.

Desk and Table Support

Ordering Information	Order Code	Included With	Options
Components for Reconfiguration 1. Pattern Number 2. Paint Finish	Components for Reconfiguration <i>Example:</i> YBCRR, 118T YBC Connector RR Rail to Return Rails 118T Bright White Paint	Components for Reconfiguration Hardware	Components for Reconfiguration

Center Beam for Big Tables

Planning Guidelines and Specifications

Center beam for big table is an extruded aluminum beam shared between facing tops of a dual big table.

Center beam incorporates a continuous channel on the top for friction fit privacy screens or stanchion mounted storage, a channel on each side for cantilever shelves or monitor arms, and a channel on the bottom for suspended power and data components. Center beams are supported by end legs or intermediate legs, which also define a 1 1/4" accessory mount and wire drop space on either side of the beam.

Center beams are available in 6" increments from 36"-96" wide and correspond to big table top widths.

Center beams drilled for T-light cable have a hole drilled 12" from one end to allow the power cable to pass through the beam to the underside of the table.

Center beam top caps fill the top channel slot of a center beam when no screens are planned. When upmounted storage, screens or KnollExtra T-lights are mounted to the center beam, top caps can be trimmed in the field to fit around brackets. A full end cap is used to cover the exposed end of the center beam. A partial end cap is used to cover the lower end of the center beam when an extension top or cabinet is specified at the end of a big table. Center beam top caps and end caps are specified separately.

Dual and single sided big tables with 36" deep tops that are 54" or wider need a mid span support leg to provide center beam support.

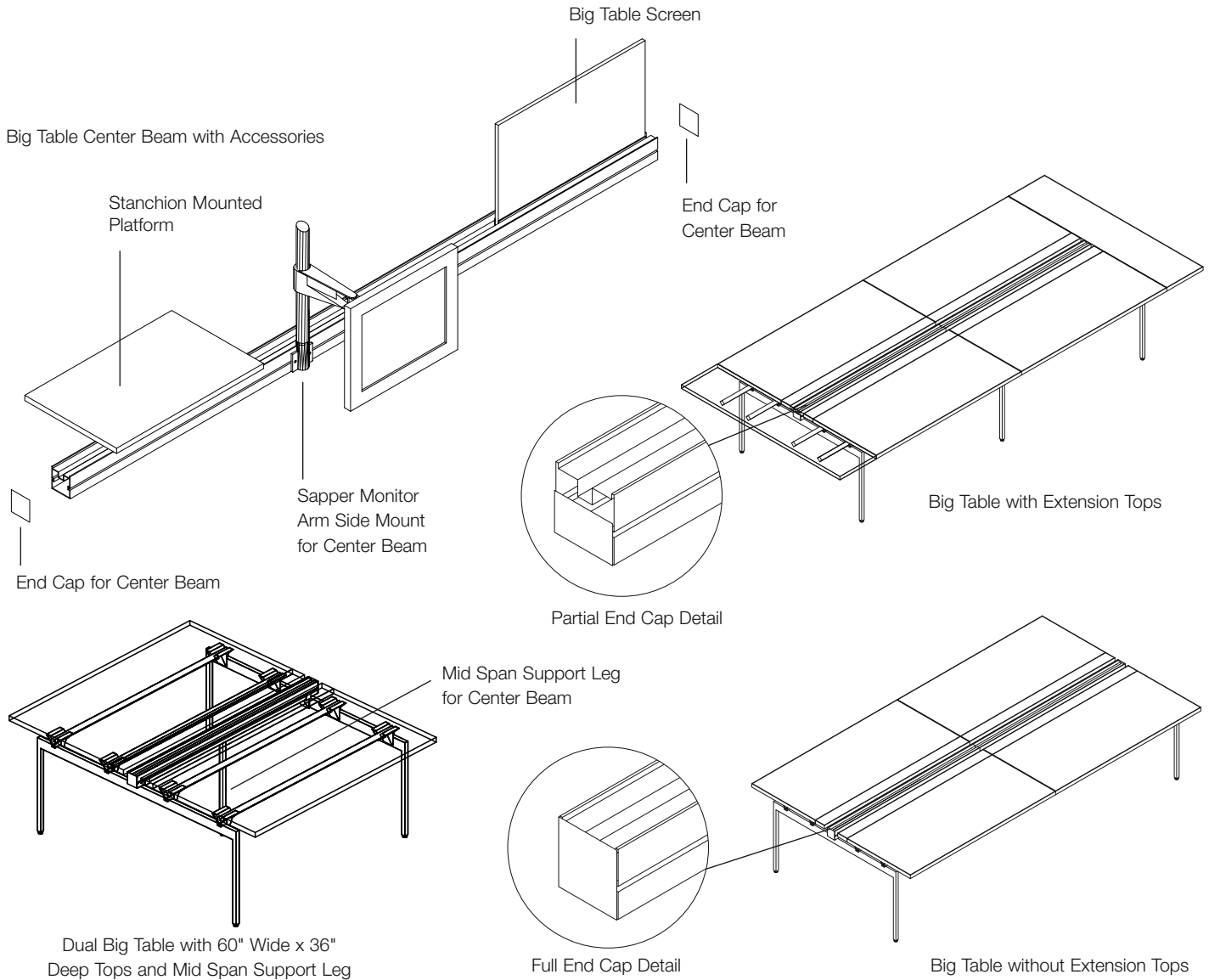
Mounting brackets and stanchions for storage, cantilever shelves and flat screen monitor arms must be specified separately.

Construction

Center beam is an aluminum extrusion 3 1/4" high and 3" deep. Top caps are extruded plastic. End caps are cast aluminum.

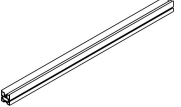
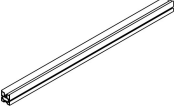
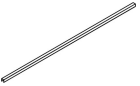
Specifications Options

Center beams, end caps and top covers are available in any Knoll core, Dark Red or Slate Blue paint finish and must be specified separately.



Center Beam for Big Tables

Center Beam, End Caps and Top Caps

description	type	w	d	h	pattern no.	list
Center Beam (no drilling for T-light cable) 	For 36" Wide Big Table Top	36"	3"	3 1/4"	YCB36	\$260.
	For 42" Wide Big Table Top	42"	3"	3 1/4"	YCB42	260.
	For 48" Wide Big Table Top	48"	3"	3 1/4"	YCB48	260.
	For 54" Wide Big Table Top	54"	3"	3 1/4"	YCB54	384.
	For 60" Wide Big Table Top	60"	3"	3 1/4"	YCB60	384.
	For 66" Wide Big Table Top	66"	3"	3 1/4"	YCB66	384.
	For 72" Wide Big Table Top	72"	3"	3 1/4"	YCB72	384.
	For 78" Wide Big Table Top	78"	3"	3 1/4"	YCB78	756.
	For 84" Wide Big Table Top	84"	3"	3 1/4"	YCB84	756.
	For 90" Wide Big Table Top	90"	3"	3 1/4"	YCB90	827.
For 96" Wide Big Table Top	96"	3"	3 1/4"	YCB96	827.	
Center Beam (Drilled for T-light cable) 	For 36" Wide Big Table Top	36"	3"	3 1/4"	YCBT36	291.
	For 42" Wide Big Table Top	42"	3"	3 1/4"	YCBT42	291.
	For 48" Wide Big Table Top	48"	3"	3 1/4"	YCBT48	291.
	For 54" Wide Big Table Top	54"	3"	3 1/4"	YCBT54	416.
	For 60" Wide Big Table Top	60"	3"	3 1/4"	YCBT60	416.
	For 66" Wide Big Table Top	66"	3"	3 1/4"	YCBT66	416.
	For 72" Wide Big Table Top	72"	3"	3 1/4"	YCBT72	416.
	For 78" Wide Big Table Top	78"	3"	3 1/4"	YCBT78	788.
	For 84" Wide Big Table Top	84"	3"	3 1/4"	YCBT84	788.
	For 90" Wide Big Table Top	90"	3"	3 1/4"	YCBT90	858.
For 96" Wide Big Table Top	96"	3"	3 1/4"	YCBT96	858.	
Center Beam Top Caps 	For 24" Wide Center Beam	24"	3"	3 1/4"	YCBCC24	40.
	For 30" Wide Center Beam	30"	3"	3 1/4"	YCBCC30	45.
	For 36" Wide Center Beam	36"	3"	3 1/4"	YCBCC36	50.
	For 48" Wide Center Beam	48"	3"	3 1/4"	YCBCC48	53.
	For 54" Wide Center Beam	54"	3"	3 1/4"	YCBCC54	60.
	For 60" Wide Center Beam	60"	3"	3 1/4"	YCBCC60	66.
	For 66" Wide Center Beam	66"	3"	3 1/4"	YCBCC66	71.
	For 72" Wide Center Beam	72"	3"	3 1/4"	YCBCC72	76.
	For 78" Wide Center Beam	78"	3"	3 1/4"	YCBCC78	83.
	For 84" Wide Center Beam	84"	3"	3 1/4"	YCBCC84	89.
For 90" Wide Center Beam	90"	3"	3 1/4"	YCBCC90	95.	
For 96" Wide Center Beam	96"	3"	3 1/4"	YCBCC96	100.	

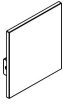
Desk and Table Support

Ordering Information	Order Code	Included With	Options
Center Beam 1. Pattern Number 2. Paint Finish	Center Beam <i>Example: YCB60, 118T</i> YCB Center Beam	Center Beam	Center Beam
End Caps 1. Pattern Number 2. Paint Finish	60 Width 118T Bright White Paint End Caps		
Center Beam Top Caps 1. Pattern Number 2. Paint Finish	<i>Example: YCBPE, 118T</i> YCB Center Beam PE Partial End 118T Bright White Paint		

Center Beam for Big Tables

Center Beam, End Caps and Top Caps

description	type	w	d	h	pattern no.	list
Center Beam End Caps (Full Height Shown)	Full Height	3"	3/8"	3 1/4"	YCBE	\$13.
	Partial Height For Use With Extension Top or Cabinets	3"	3/8"	2"	YCBPE	13.



Ordering Information

Center Beam

1. Pattern Number
2. Paint Finish

End Caps

1. Pattern Number
2. Paint Finish

Center Beam Top Caps

1. Pattern Number
2. Paint Finish

Order Code

Center Beam

Example: **YCB60, 118T**

YCB Center Beam

60 Width

118T Bright White Paint

End Caps

Example: **YCBPE, 118T**

YCB Center Beam

PE Partial End

118T Bright White Paint

Included With

Center Beam

Options

Center Beam

Sapper Monitor Arm for Antenna Center beam

Planning Guidelines and Specifications

Sapper Monitor Arm Side and Center Mount for Antenna Center Beam

Sapper arm mounts for Antenna enable masts from the Sapper Monitor Arm Collection to mount on the side or top of the Antenna Big Table center beam. These mounts can convert Sapper masts from other mounting applications, such as two-piece desk clamps, for use at the center of the big table.

Antenna Workspaces was designed to provide a "wire drop" in most desk and big table applications, in which Sapper Monitor Arms can be mounted. For desk-based planning or

big tables without hinged tops, Sapper Monitor Arm masts can be attached to the back or end of a top with the standard two-piece clamp base. For hinged tops in Big Table applications, however, masts must be mounted on the center beam, and can be ordered as a complete kit in the KnollExtra Sapper Monitor Arm Collection with those mounting options.

The center beam side mount supports a mast on the side edge of the center beam, enabling independent positioning of one or more monitors and room for a center screen behind and a hinged access door or standard wire drop in front.

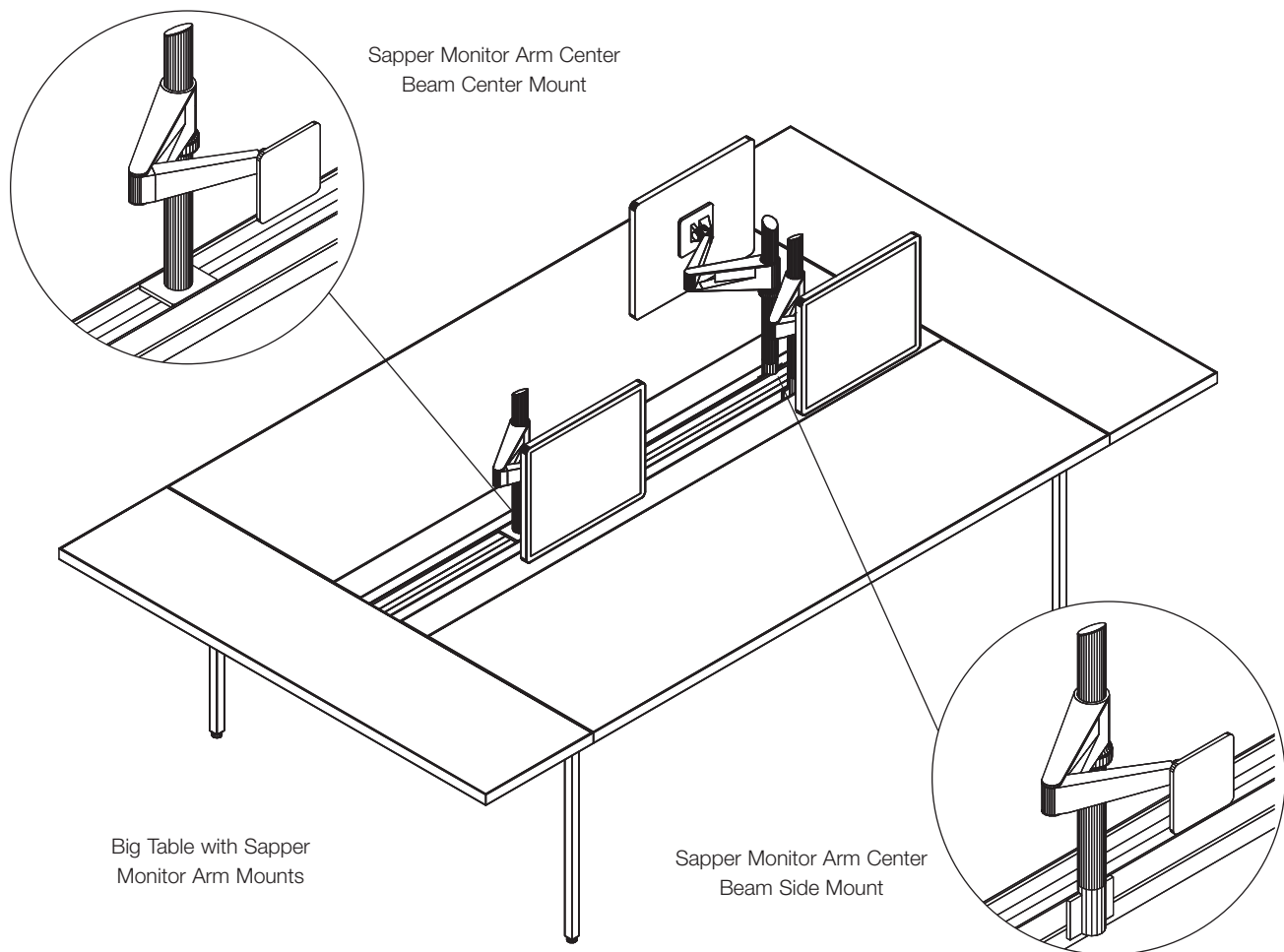
The center beam center mount supports a mast in the center top channel of the center beam, enabling shared use of the mast for monitor arms on both sides of the center beam. Center mount bracket occupies 4" of center beam in which screens or stanchions cannot be installed

Construction

The Sapper mounts are cast aluminum and extruded aluminum. The Sapper center beam center mount is a painted steel plate.

Specification Options

The Sapper mounts are available in any Knoll core paint finish, Dark Red or Slate Blue.



Keyboard Tray Mounting Kit

The keyboard tray mounting kit enables any KnollExtra keyboard support with sliding track to attach to the underside of an Antenna Workspaces desk, table or big table. The mounting kit suspends the sliding track from the desktop to directly below the rails, with full keyboard adjustability and retractability.

Keyboard tray must be specified with a sliding track that is less than the depth of the top and anything below the top, such as a power harness or cable basket. For example under a 24" deep desk with a power harness the

track should be no deeper than 18", and the keyboard may be restricted in where it can rotate when retracted. Under a 30" deep big table top with centered power, the track should be no deeper than 26" to clear access to power and cable baskets. Under a table/desk without cable trays or power any keyboard support with track less deep than the top should fit.

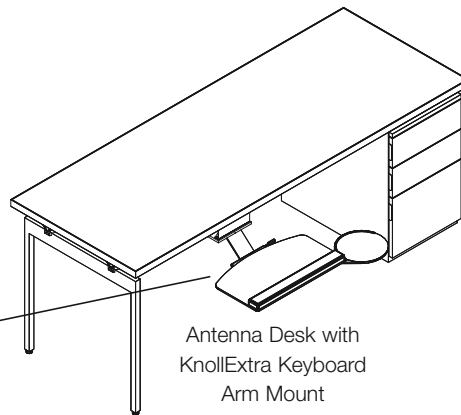
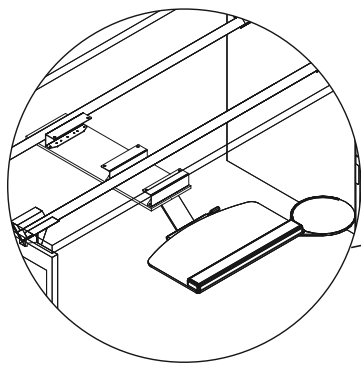
The keyboard tray mounting kit includes three black steel brackets that attach just below the front edge of the top and between the rails supporting the top.

CPU Mounting Kit

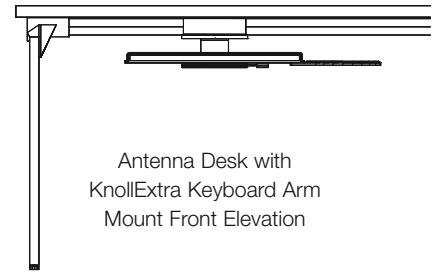
The CPU mounting kit enables most KnollExtra CPU frames to be mounted to the underside of Antenna desks or big tables. The mounting kit includes brackets that suspend the sliding track from the desktop to directly below the rails, enabling full CPU holder rotation and retractability. The mounting kit includes two black steel brackets that attach in front of and between the two steel rails in desk-based or big table planning. Any KnollExtra CPU can be mounted under a top deeper than the mounting track.

Construction

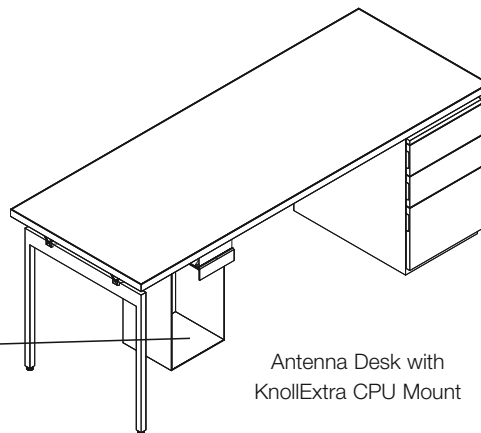
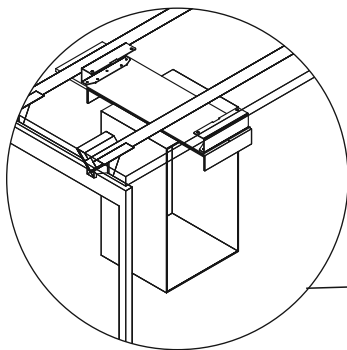
CPU and keyboard support mount kits are formed steel, painted black.



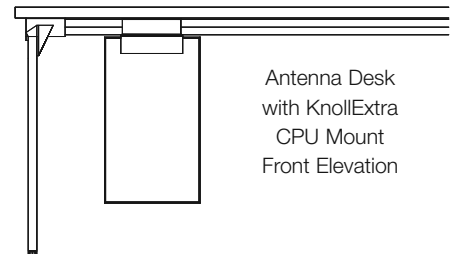
Antenna Desk with
KnollExtra Keyboard
Arm Mount



Antenna Desk with
KnollExtra Keyboard Arm
Mount Front Elevation



Antenna Desk with
KnollExtra CPU Mount

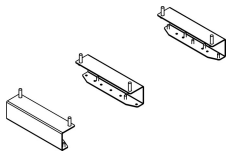


Antenna Desk
with KnollExtra
CPU Mount
Front Elevation

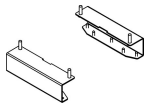
Keyboard Tray and CPU Holder Mounts

For Desk and Big Tables

description	type	w	d	h	pattern no.	list
KnollExtra Keyboard Tray Mount Kit	For attachment to underside of top	6"	1 1/4"	1 7/8"	YAK	\$107.

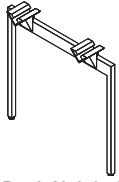


KnollExtra CPU Holder Mount Kit	For attachment to underside of top	6"	1 1/4"	1 7/8"	YACPU	71.
---------------------------------	------------------------------------	----	--------	--------	--------------	-----

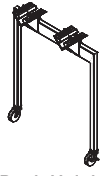


Ordering Information	Order Code	Included With	Options
Keyboard Tray/CPU Holder Mount Kit	Keyboard Tray Mount Kit	Keyboard Tray Mount Kit	
1. Pattern Number	<i>Example:</i> YAK YAK Keyboard Tray Mount	Attachment Hardware CPU Holder Mount Kit Attachment Hardware	

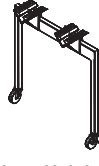
Desk End Legs



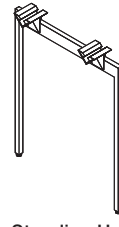
Desk Height End Leg
Leg with Top: 28-1/2" High
Leg: 27" High



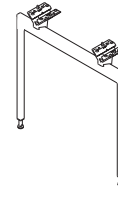
Desk Height End Leg with Casters
Leg with Top: 28-1/2" High
Leg: 27" High



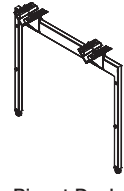
Low Height End Leg with Casters
Leg with Top: 25" High
Leg: 23-1/2" High



Standing Height End Leg
Leg with Top: 36-1/2" High
Leg: 35" High

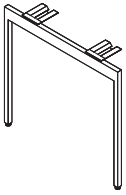


Adjustable Height End Leg
Leg with Top: 27" - 30" High
Leg: 25-1/2" - 28-1/2" High

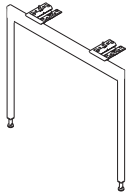


Pinset Desk End Leg
Leg with Top: 27-1/2" - 36-1/2" High
Leg: 26" - 35" High

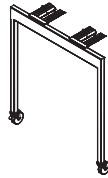
Table Desk End Legs



Desk Height Table Desk End Leg
Leg with Top: 28-1/2" High
Leg: 27" High

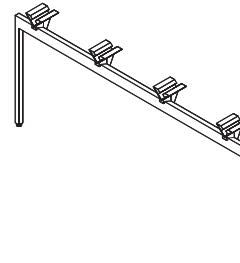


Adjustable Height Table Desk End Leg
Leg with Top: 27" - 30" High
Leg: 25-1/2" - 28-1/2" High

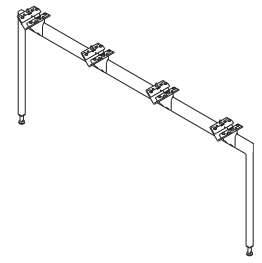


Desk Height Table Desk End Leg with Casters
Leg with Top: 28-1/2" High
Leg: 27" High

Back to Back End Legs

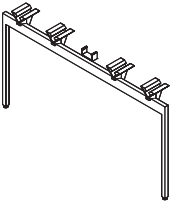


Desk Height Back to Back Desk End Leg
Leg with Top: 28-1/2" High
Leg: 27" High

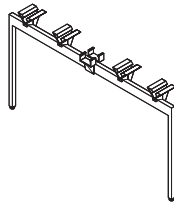


Adjustable Height Back to Back Desk End Leg
Leg with Top: 27" - 30" High
Leg: 25-1/2" - 28-1/2" High

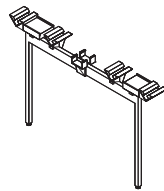
Dual Big Table Legs



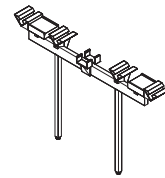
Desk Height End Leg
Leg with Top: 28-1/2" High
Leg: 27" High



Desk Height Intermediate Leg
Leg with Top: 28-1/2" High
Leg: 27" High



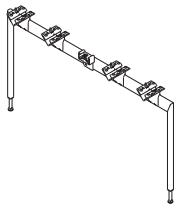
Desk Height Inset Intermediate Leg
Leg with Top: 28-1/2" High
Leg: 27" High



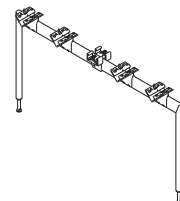
Desk Height 120 Degree Intermediate Leg
Leg with Top: 28-1/2" High
Leg: 27" High



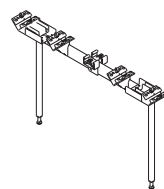
Desk Height Mid Span Support Leg
Leg with Top: 28-1/2" High
Leg: 27" High



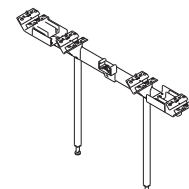
Adjustable Height End Leg
Leg with Top: 27" - 30" High
Leg: 25-1/2" - 28-1/2" High



Adjustable Height Intermediate Leg
Leg with Top: 27" - 30" High
Leg: 25-1/2" - 28-1/2" High



Adjustable Height Inset Intermediate Leg
Leg with Top: 27" - 30" High
Leg: 25-1/2" - 28-1/2" High

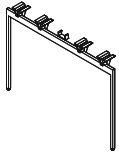


Adjustable Height 120 Degree Intermediate Leg
Leg with Top: 27" - 30" High
Leg: 25-1/2" - 28-1/2" High

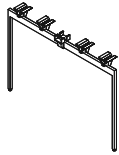


Adjustable Height Mid Span Support Leg
Leg with Top: 27" - 30" High
Leg: 25-1/2" - 28-1/2" High

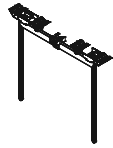
36" Standing Height Dual Big Table Legs



36" Standing Height End Leg
 Leg with Top: 36 1/2"
 Leg with Cradles: 35"
 Leg Weldmount: 33"



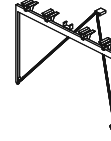
36" Standing Height Intermediate Leg



36" Standing Height Inset Intermediate Leg
 (24"/27"/30" dual only)

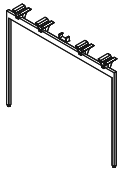


36" Standing Height Intermediate Leg Brace
 (shown with Inset Intermediate Leg)

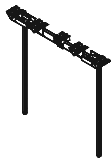


36" Standing Height End Leg Support Brace
 (shown with Two Position End Leg)

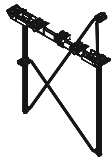
42" Standing Height Dual Big Table Legs



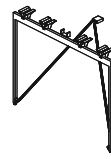
42" Standing Height End Leg
 Leg with Top: 42 1/2"
 Leg with Cradles: 41"
 Leg Weldmount: 39"



42" Standing Height Inset Intermediate Leg
 (24"/27"/30" dual only)

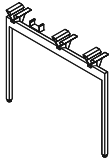


42" Standing Height Inset Intermediate Leg Brace
 (shown with Inset Intermediate Leg)

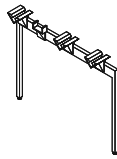


42" Standing Height End Leg Support Brace
 (shown with Two Position End Leg)

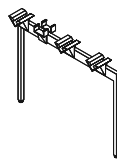
Single Sided Big Table Legs



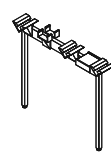
Desk Height Left End Leg
 Leg with Top: 28-1/2" High
 Leg: 27" High



Desk Height Right End Leg
 Leg with Top: 28-1/2" High
 Leg: 27" High



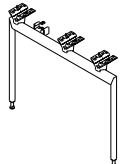
Desk Height Inset Intermediate Leg
 Leg with Top: 28-1/2" High
 Leg: 27" High



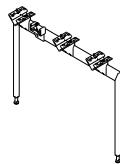
Desk Height Inset Intermediate Leg
 Leg with Top: 28-1/2" High
 Leg: 27" High



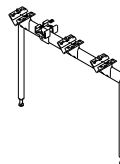
Desk Height Mid Span Support Leg
 Leg with Top: 28-1/2" High
 Leg: 27" High



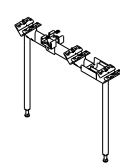
Adjustable Height Left End Leg
 Leg with Top: 27" - 30" High
 Leg: 25-1/2 - 28-1/2" High



Adjustable Height Right End Leg
 Leg with Top: 27" - 30" High
 Leg: 25-1/2 - 28-1/2" High



Adjustable Height Inset Intermediate Leg
 Leg with Top: 27" - 30" High
 Leg: 25-1/2 - 28-1/2" High

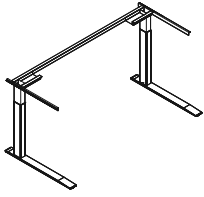


Adjustable Height Inset Intermediate Leg
 Leg with Top: 27" - 30" High
 Leg: 25-1/2 - 28-1/2" High

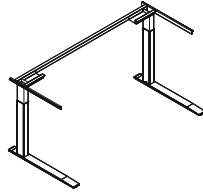


Adjustable Height Mid Span Support Leg
 Leg with Top: 27" - 30" High
 Leg: 25-1/2 - 28-1/2" High

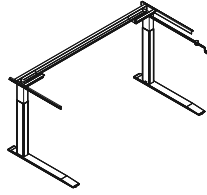
C-Leg Bases



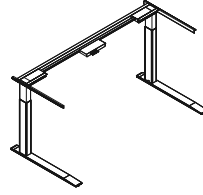
Fixed
Base with Top:
28-1/2" High
Base: 27" High



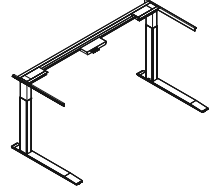
Pin-Set
Base with Top: 23-1/2" -
36-1/2" High
Base: 22" - 35 High



Handcrank
Base with Top: 23-1/2" -
36-1/2" High
Base: 22" - 35 High

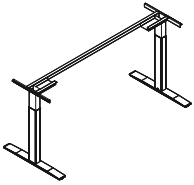


Electric
Base with Top: 28-1/2" -
48" High
Base: 27" - 46-1/2" High

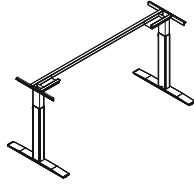


Advanced Electric
Base with Top: 22-1/2" -
49" High
Base: 21" - 47-1/2" High

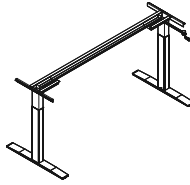
T-Leg Bases



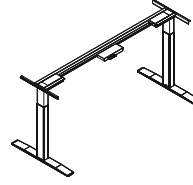
Fixed
Base with Top:
28-1/2" High
Base: 27" High



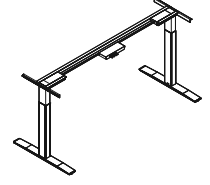
Pin-Set
Base with Top: 23-1/2" -
36-1/2" High
Base: 22" - 35 High



Handcrank
Base with Top: 23-1/2" -
36-1/2" High
Base: 22" - 35 High



Electric
Base with Top: 28-1/2" -
48" High
Base: 27" - 46-1/2" High



Advanced Electric
Base with Top: 22-1/2" -
49" High
Base: 21" - 47-1/2" High

Legs for Desks or Returns

Planning Guidelines and Specifications

Desk height end legs are inverted U-shaped supports. End legs for desks are 3" less than corresponding desk top depth, inset 1 1/2" from front and back desk top edge.

Desk height end legs support a worksurface height of 28 1/2". Adjustable height desk end legs are also available for applications needing more than the 1 1/2" height adjustability provided by desk height end leg levelers. Adjustable height desk end legs support a worksurface height ranging from 27" - 30". Standing height end legs support a 36 1/2" high worksurface. Pinset end legs support a worksurface height ranging from 27-1/2" - 36-1/2".

Desk end legs are also available with casters (one locking, one non-locking). Desk height end legs with casters support a worksurface height of 28-1/2". Low desk height end legs with casters support a worksurface height of 24-1/2". When casters are required, the entire leg assembly with casters must be specified.

End legs include two cradles and two levelers. Cradles are V-shaped connectors with clamps that secure the rails at a diagonal over the leg and fasten the legs and rails to the top. Legs for 18" deep tops are for return applications only.

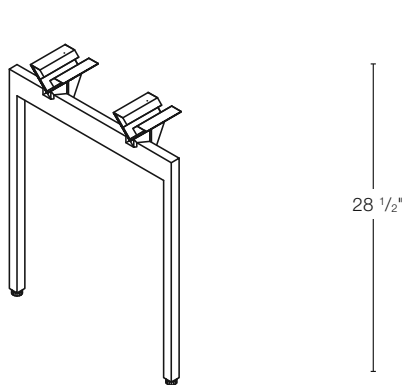
Construction

Desk end legs are 25" high steel weldments with 1" square legs and a 2 1/2" horizontal rail. Desk end legs include 2 1/2" levelers with 3/8" stems and continuous 1 1/2" adjustment range. Weldments for desk end legs with casters are 22" high. Low desk end leg weldments are 19" high. Adjustable desk end leg weldments are 23" high including 5" levelers with 5/8" stems and 3" continuous adjustment range. Standing height desk end leg weldments are 33" high including levelers with 1 1/2" height range. Pinset end leg weldments are 23" - 31" high including pinset adjustment of 9".

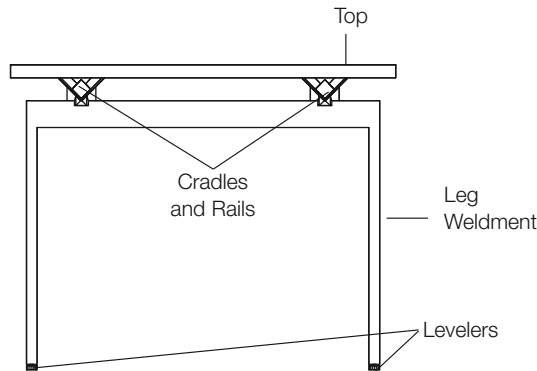
Cradles and clamps are cast aluminum with countersunk fasteners into legs, mating parts and top.

Specification Options

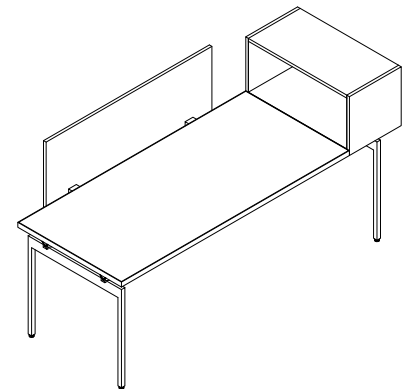
End legs are available in any Knoll core, Dark Red or Slate Blue paint finish. Specify cradle finish separately in any Knoll core, Dark Red or Slate Blue paint finish.



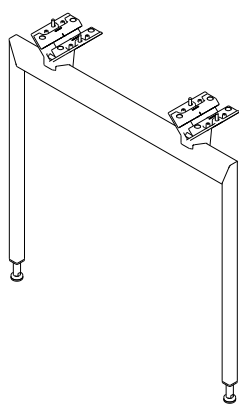
Desk Height End Leg



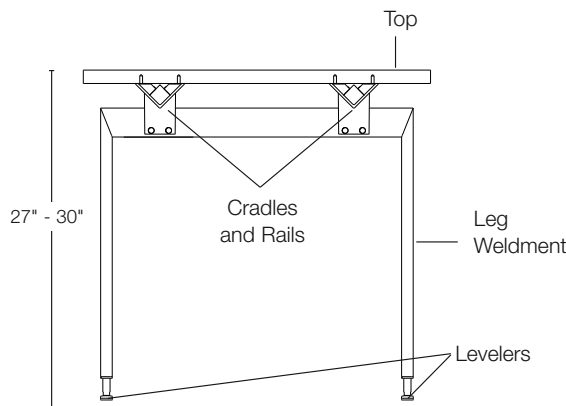
Desk Height End Leg End Elevation



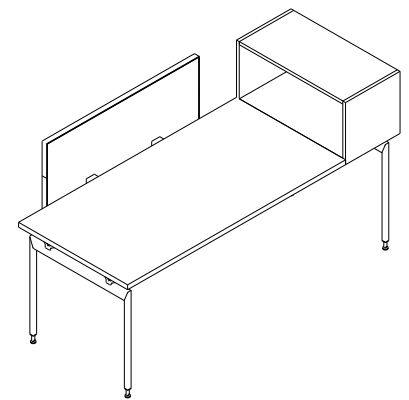
Desk with Desk Height End Legs, Above Desk Extension Cabinet and Screen



Adjustable Height End Leg



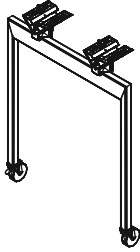
Adjustable Height End Leg End Elevation



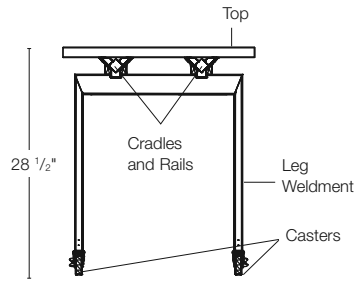
Desk with Adjustable Height End Legs and Suspended File

Legs for Desks or Returns

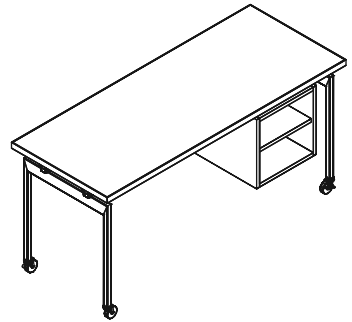
Planning Guidelines and Specifications



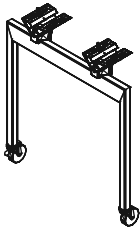
Desk Height End Leg with Casters



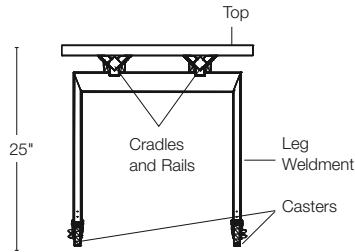
Desk Height End Leg with Casters End Elevation



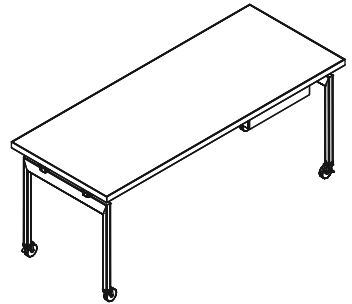
Desk with Desk Height End Legs with Casters and Suspended Open Cabinet



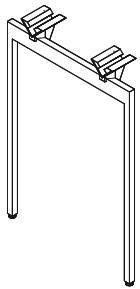
Low Desk Height End Leg with Casters



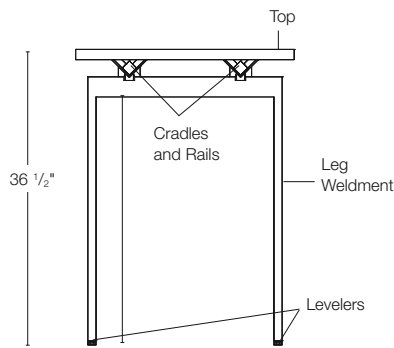
Low Desk Height End Leg with Casters End Elevation



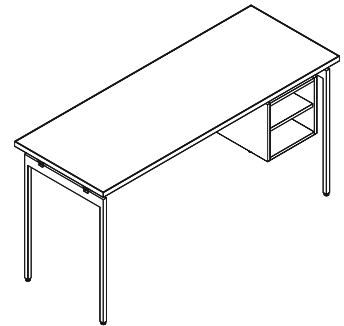
Desk with Low Desk Height End Legs with Casters and Suspended Open Cabinet



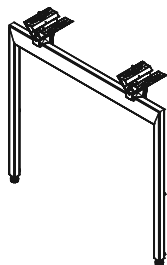
Standing Height End Leg



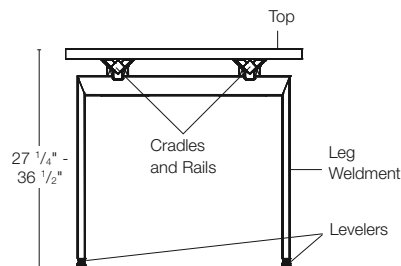
Standing Height End Leg End Elevation



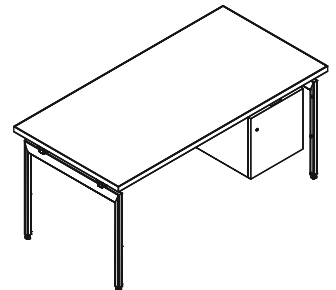
Desk with Standing Height End Legs and Suspended Open Cabinet



Pinset Desk End Leg



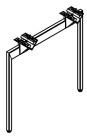
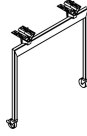
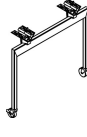
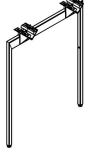
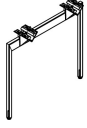
Pinset Desk End Leg End Elevation



Desk with Pinset Desk End Legs and Suspended File

Legs for Desks or Returns

Desk, Low Desk, Standing, Adjustable Height and Pinset


description	type	d	w	h	pattern no.	list
 Desk Height End Legs for Desks or Returns	For 18" Deep Top	15"	1"	27"	YELD18	\$307.
	For 24" Deep Top	21"	1"	27"	YELD24	319.
	For 27" Deep Top	24"	1"	27"	YELD27	324.
	For 30" Deep Top	27"	1"	27"	YELD30	331.
	For 36" Deep Top	33"	1"	27"	YELD36	343.
	For 42" or 48" Deep Top	39"	1"	27"	YELD42	367.
 Desk Height End Legs with Casters for Desks or Returns	For 18" Deep Top	15"	1"	27"	YELCD18	350.
	For 24" Deep Top	21"	1"	27"	YELCD24	364.
	For 27" Deep Top	24"	1"	27"	YELCD27	369.
	For 30" Deep Top	27"	1"	27"	YELCD30	374.
	For 36" Deep Top	33"	1"	27"	YELCD36	386.
 Low Desk Height End Legs with Casters for Desks or Returns	For 18" Deep Top	15"	1"	23 1/2"	YELCM18	350.
	For 24" Deep Top	21"	1"	23 1/2"	YELCM24	364.
	For 27" Deep Top	24"	1"	23 1/2"	YELCM27	369.
	For 30" Deep Top	27"	1"	23 1/2"	YELCM30	374.
	For 36" Deep Top	33"	1"	23 1/2"	YELCM36	386.
 Standing Height End Legs for Desks or Returns	For 24" Deep Top	21"	1"	35"	YELH24	528.
	For 27" Deep Top	24"	1"	35"	YELH27	540.
	For 30" Deep Top	27"	1"	35"	YELH30	551.
	For 36" Deep Top	33"	1"	35"	YELH36	562.
	For 42" or 48" Deep Top	39"	1"	35"	YELH42	574.
 Adjustable Height End Legs for Desks or Returns	For 18" Deep Top	15"	1"	25 1/2" - 28 1/2"	YELA18	343.
	For 24" Deep Top	21"	1"	25 1/2" - 28 1/2"	YELA24	353.
	For 27" Deep Top	24"	1"	25 1/2" - 28 1/2"	YELA27	362.
	For 30" Deep Top	27"	1"	25 1/2" - 28 1/2"	YELA30	367.
	For 36" Deep Top	33"	1"	25 1/2" - 28 1/2"	YELA36	379.
	For 42" or 48" Deep Top	39"	1"	25 1/2" - 28 1/2"	YELA42	403.

Desk and Table Support

Ordering Information	Order Code	Included With	Options
End Legs for Desks/Returns 1. Pattern Number 2. Leg Paint Finish 3. Cradle Paint Finish	End Legs for Desks/Returns <i>Example:</i> YELD30, 118T, 118T YEL End Leg D Desk Height 30 Depth 118T Bright White Paint 118T Bright White Paint	End Legs for Desks/Returns (2) Glides or Casters (2) Cradles Attachment Hardware	End Legs for Desks/Returns

Legs for Desks or Returns

Desk, Low Desk, Standing, Adjustable Height and Pinset

description	type	d	w	h	pattern no.	list
	For 24" Deep Top	21"	1"	26"-35"	YELP24	\$538.
	For 27" Deep Top	24"	1"	26"-35"	YELP27	543.
	For 30" Deep Top	27"	1"	26"-35"	YELP30	549.
	For 36" Deep Top	33"	1"	26"-35"	YELP36	561.

Ordering Information

End Legs for Desks/Returns

1. Pattern Number
2. Leg Paint Finish
3. Cradle Paint Finish

Order Code

End Legs for Desks/Returns

Example: **YELD30, 118T, 118T**

YEL	End Leg
D	Desk Height
30	Depth
118T	Bright White Paint
118T	Bright White Paint

Included With

End Legs for Desks/Returns

- (2) Glides or Casters
- (2) Cradles
- Attachment Hardware

Options

End Legs for Desks/Returns

Table desk end legs are 27" high inverted U-shape supports. Unlike desk end legs that attach to the underside of rails, table desk end legs capture the ends of the rails. End legs for tables can only be installed at the end of a desk top and are taller than standard end legs, so knees can fit under the end of the table. End legs for tables are the same overall depth as corresponding tops. End legs include two cradles and two levelers. Cradles are V-shaped connectors with clamps that secure the rails at a diagonal over the leg and fasten the legs and rails to the top.

End legs for tables are designed for end support of freestanding tables or returns only. Desk height table desk end legs support a worksurface height of 28 1/2". Adjustable height table desk end legs are also available

for applications needing more than the 1 1/2" height adjustability provided by desk height table desk end leg levelers. Adjustable height table desk end legs support a worksurface height ranging from 27" - 30". Legs for 18" deep tops are for return applications only.

Desk end legs are also available with casters. Desk height end legs with casters support a worksurface height of 28-1/2". When casters are required, the entire leg assembly with casters must be specified.

Construction

Table desk end legs are steel 27" high weldments with 1" square legs and a 2 1/2" horizontal rail. Legs include 2 1/2" levelers with 3/8" stems and continuous 1 1/2" adjustment range. Weldments for table desk legs with casters are 24" high.

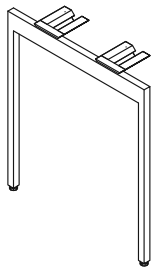
Adjustable table leg weldments are 25 1/2" - 28 1/2" high including 5" levelers with 5/8" stems and 3" continuous adjustment range. Weldments for table desk legs with casters are 24" high.

Cradles and clamps are cast aluminum with countersunk fasteners into legs, mating parts and top.

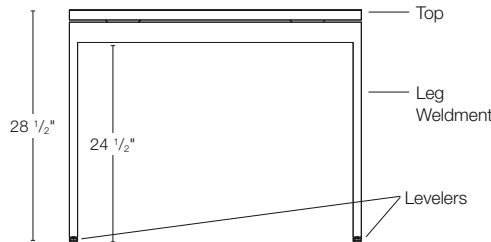
Specification Options

Table desk end legs can be specified in chrome or any Knoll core, Dark Red, or Slate Blue paint finish. Specify cradle finish separately in any Knoll core, Dark Red or Slate Blue paint finish.

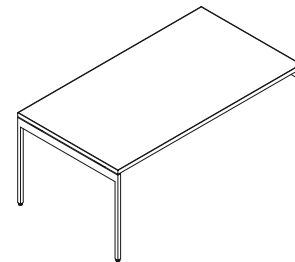
Desk and Table Support



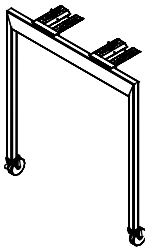
Desk Height Table Desk End Leg



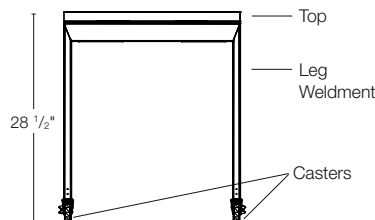
Desk Height Table End Elevation



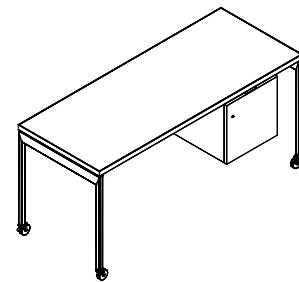
Desk Height Table Desk



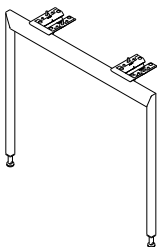
Desk Height Table Desk End Leg with Casters



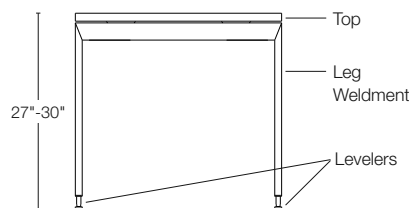
Desk Height Table Desk End Leg with Casters End Elevation



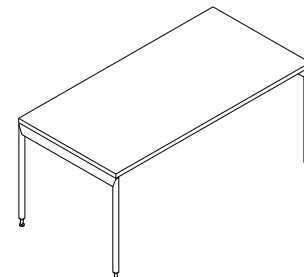
Desk with Desk Height Table Desk End Legs with Casters and Suspended File Cabinet



Adjustable Height Table Desk End Leg



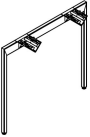
Adjustable Height Table Desk End Leg End Elevation

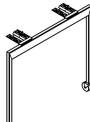



Desk with Adjustable Height Table Desk End Legs with Screen

Legs for Table Desks

Desk and Adjustable Height

description	type	w	d	h	pattern no.	Painted	Chrome
 Desk Height End Legs for Table Desks	For 18" Deep Top	1"	18"	27"	YELSD18	\$331.	\$520.
	For 24" Deep Top	1"	24"	27"	YELSD24	343.	534.
	For 27" Deep Top	1"	27"	27"	YELSD27	348.	590.
	For 30" Deep Top	1"	30"	27"	YELSD30	353.	599.
	For 36" Deep Top	1"	36"	27"	YELSD36	367.	659.
	For 42" Deep Top	1"	42"	27"	YELSD42	384.	705.
	For 48" Deep Top	1"	48"	27"	YELSD48	389.	743.

 Desk Height End Legs with Casters for Table Desks	For 24" Deep Top	1"	24"	27"	YELSCD24	374.	n/a
	For 27" Deep Top	1"	27"	27"	YELSCD27	386.	n/a
	For 30" Deep Top	1"	30"	27"	YELSCD30	392.	n/a
	For 36" Deep Top	1"	36"	27"	YELSCD36	398.	n/a
	For 42" Deep Top	1"	42"	27"	YELSCD42	410.	n/a
	For 48" Deep Top	1"	48"	27"	YELSCD48	428.	n/a

 Adjustable Height End Legs for Table Desks	For 18" Deep Top	1"	18"	25 1/2" - 28 1/2"	YELSA18	367.	n/a
	For 24" Deep Top	1"	24"	25 1/2" - 28 1/2"	YELSA24	379.	n/a
	For 27" Deep Top	1"	27"	25 1/2" - 28 1/2"	YELSA27	384.	n/a
	For 30" Deep Top	1"	30"	25 1/2" - 28 1/2"	YELSA30	389.	n/a
	For 36" Deep Top	1"	36"	25 1/2" - 28 1/2"	YELSA36	403.	n/a
	For 42" Deep Top	1"	42"	25 1/2" - 28 1/2"	YELSA42	419.	n/a
	For 48" Deep Top	1"	48"	25 1/2" - 28 1/2"	YELSA48	426.	n/a

Ordering Information

End Legs for Desks>Returns

1. Pattern Number
2. Leg Paint Finish
3. Cradle Paint Finish

Order Code

End Legs for Table Desks

Example: **YELSD30, 118T, 118T**

YEL	End Leg
S	Table Desk
D	Desk Height
30	Depth
118T	Bright White Paint
118T	Bright White Paint

Included With

End Legs for Table Desks

- (2) Glides or Casters
- (2) Cradles
- Attachment Hardware

Options

End Legs for Table Desks

Finish Options:

Table Desk End Legs are available in Knoll core paints, Dard Red (130) and Slate Blue (131) paint finishes, as well as polished chrome (PD) finish.

Legs for Back to Back Desks

Planning Guidelines and Specifications

End legs for back to back desks are 25" high inverted U-shape supports. A back to back desk end leg supports one end of back to back tops or can be shared between adjacent pairs of back to back tops. End legs include two cradles and two levelers. Cradles are V-shaped connectors with clamps that secure the rails at a diagonal over the leg and fasten the legs and rails to the top. End legs also include two levelers.

End legs are normally positioned 1 1/2" from the end of the tops, but maybe inset for suspended storage.

Designed to create a 3 3/4" space between the back-to-back tops for a desk mounted screen and wire drops on each side, dual end legs are inset 1 1/2" from the front edges of the

tops creating an overall depth 3/4" less than the sum of corresponding back to back top depths. Shared screens can be positioned no closer to the end of the tops than 3".

Desk height back to back desk end legs support a worksurface height of 28 1/2". Adjustable back to back desk end legs are also available for applications needing more than the 1 1/2" height adjustability provided by desk height back to back desk end leg levelers. Adjustable height back to back desk end legs support a worksurface height ranging from 27" - 30". Hinged tops are not compatible with back to back desk legs.

Construction

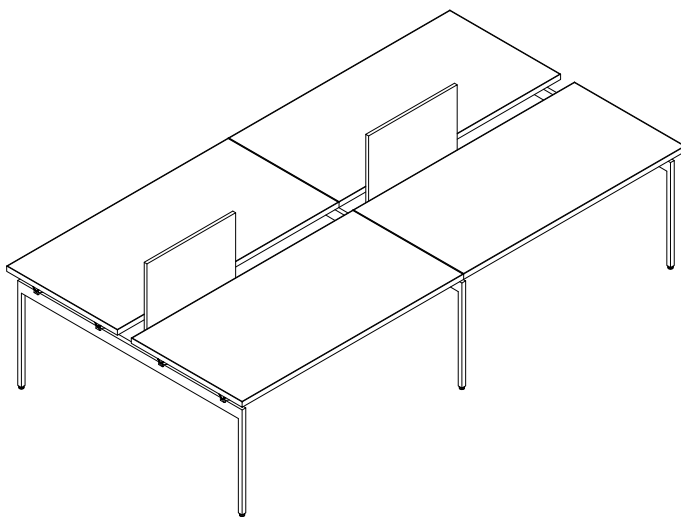
Back to back desk end legs are 25" high steel weldments with 1" square legs and a 2 1/2" horizontal rail. Legs include 2 1/2" levelers with 3/8" stems and continuous 1 1/2" adjustment range. Adjustable back to back desk leg weldments are 23" high including 5" levelers with 5/8" stems and 3" continuous adjustment range.

Cradles and clamps are cast aluminum with countersunk fasteners into legs, mating parts and top.

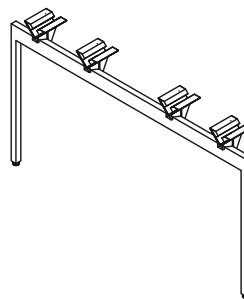
Specification Options

Back to back desk end legs can be specified in any Knoll core, Dark Red, or Slate Blue paint finish. Specify cradle finish separately in any Knoll core, Dark Red or Slate Blue paint finish.

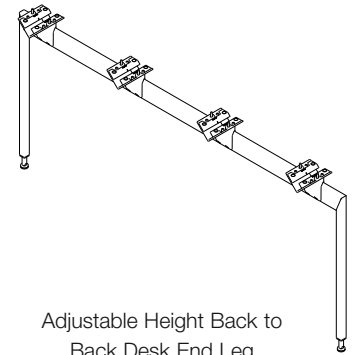
Desk and Table Support



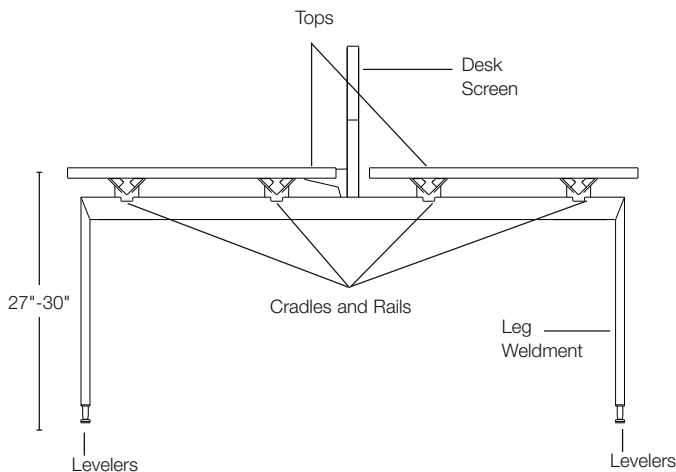
Desk Height Back to Back Desk with Screens



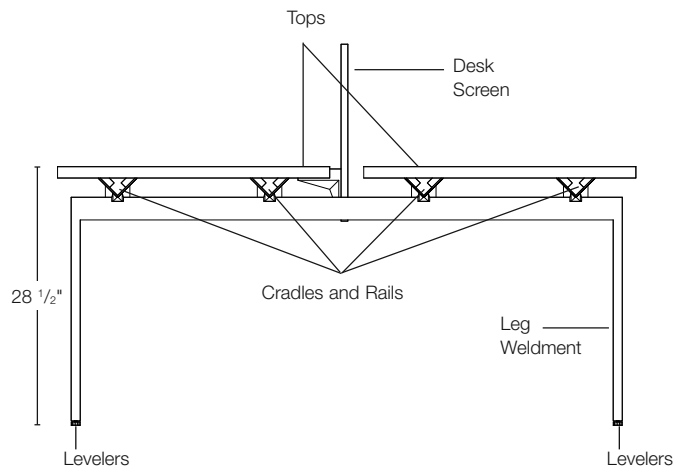
Desk Height Back to Back Desk End Leg



Adjustable Height Back to Back Desk End Leg




Adjustable Height Back to Back Desk End Leg End Elevation

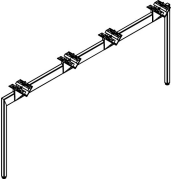


Desk Height Back to Back Desk End Elevation

Legs for Back to Back Desks

Desk Height and Adjustable Height

description	type	w	d	h	pattern no.	list
	For 18" Deep Back to Back Tops	1"	36 ³ / ₄ "	27"	YELDD18	\$473.
	For 24" Deep Back to Back Tops	1"	48 ³ / ₄ "	27"	YELDD24	497.
	For 27" Deep Back to Back Tops	1"	54 ³ / ₄ "	27"	YELDD27	520.
	For 30" Deep Back to Back Tops	1"	60 ³ / ₄ "	27"	YELDD30	533.
	For 36" Deep Back to Back Tops	1"	72 ³ / ₄ "	27"	YELDD36	544.

	For 18" Deep Back to Back Tops	1"	36 ³ / ₄ "	25 ¹ / ₂ " - 28 ¹ / ₂ "	YELDA18	508.
	For 24" Deep Back to Back Tops	1"	48 ³ / ₄ "	25 ¹ / ₂ " - 28 ¹ / ₂ "	YELDA24	533.
	For 27" Deep Back to Back Tops	1"	54 ³ / ₄ "	25 ¹ / ₂ " - 28 ¹ / ₂ "	YELDA27	555.
	For 30" Deep Back to Back Tops	1"	60 ³ / ₄ "	25 ¹ / ₂ " - 28 ¹ / ₂ "	YELDA30	567.
	For 36" Deep Back to Back Tops	1"	72 ³ / ₄ "	25 ¹ / ₂ " - 28 ¹ / ₂ "	YELDA36	580.

Ordering Information

End Legs for Back to Back Desks

1. Pattern Number
2. Leg Paint Finish
3. Cradle Paint Finish

Order Code

End Legs for Back to Back Desks

Example: **YELDD30, 118T, 118T**

YEL	End Leg
D	Back to Back Desk
D	Desk Height
30	Depth
118T	Bright White Paint
118T	Bright White Paint

Included With

End Legs for Back to Back Desks

- (2) Glides
- (4) Cradles
- Attachment Hardware

Options

End Legs for Back to Back Desks

Legs for Dual Sided Big Tables

Planning Guidelines and Specifications

Desk height end legs for dual big tables are 25" high inverted U-shape supports for use at the ends of big table configurations. Big table end legs include four cradles, support for the center beam and two levelers.

Intermediate legs for big tables are 25" high and are shared between adjacent tops. Big table intermediate legs include four cradles, support for the center beam, and two levelers.

Big table end legs and intermediate legs are always 50 1/2" deep, for 24", 27" or 30" top depths. They are inset 1 1/2" from front edge of 24"D tops, 4 1/2" from front edge of 27"D tops

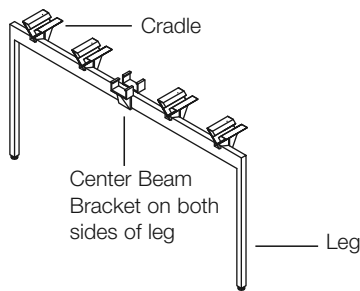
and 7 1/2" from front of 30"D tops. End legs and intermediate legs for 18" deep tops are 38 1/2" deep and inset 1 1/2" from the front edge of the top. End legs and intermediate legs for 36" deep tops are 62 1/2" deep, so they are inset 7 1/2" from front edge of top. End legs can be positioned up to 6" in from the ends of a big table and intermediate legs must be mounted directly under the joint of two tops.

Inset intermediate legs for big tables are 25" high and are shared between adjacent tops. They offer more knee space than standard intermediate legs. Big table inset intermediate legs include four cradles, support for the center beam, and two levelers. Inset intermediate leg overall depth is 35 1/2", for 24", 27" or 30"

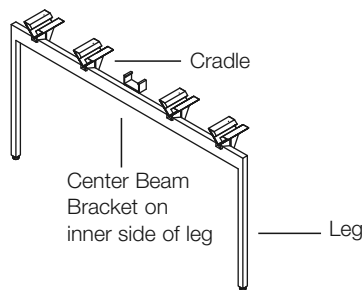
top depths. They are recessed 9" from front edge of 24"D tops, 12" from front edge of 27"D tops, and 15" from front of 30"D tops. Inset intermediate legs for 36" deep tops are 47 1/2" deep, so they are recessed 15" from front edge of top. Inset intermediate legs are not available for 18" deep big tables.

When big tables are specified with 36" deep tops 54" or wider, a mid span support for center beam must be specified.

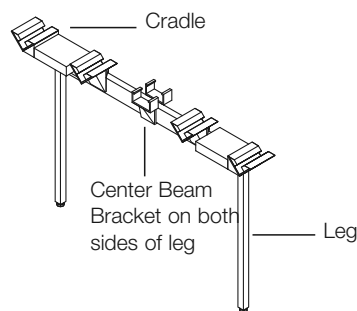
Desk height end legs, intermediate legs and inset intermediate legs 25" high support a worksurface height of 28 1/2". Adjustable height end legs, intermediate legs and inset intermediate legs 23"H support worksurface height from 27" to 30".



Desk Height Big Table Intermediate Leg



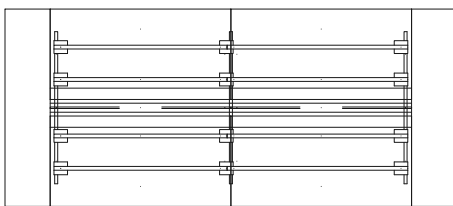
Desk Height Big Table End Leg



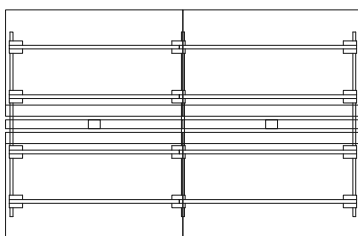
Desk Height Big Table Inset Intermediate Leg



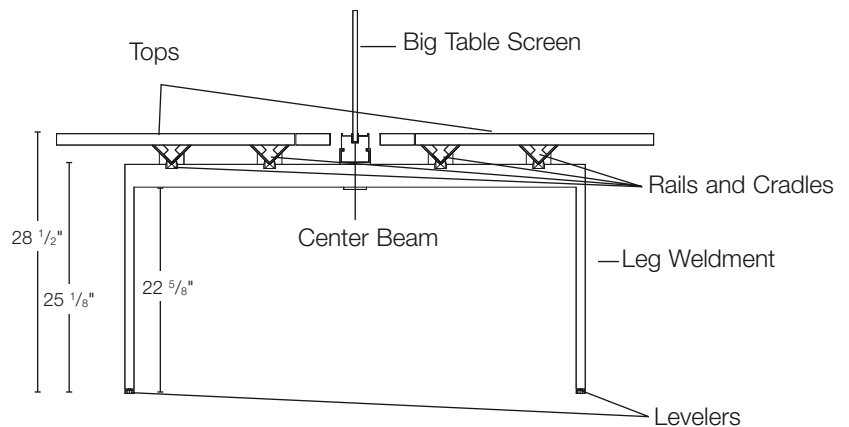
Desk Height Mid Span Support for Center Beam



Plan View of Big Table with Intermediate Leg



Plan View of Big Table with Mid Span Support for Center Beam



Dual Sided Desk Height Big Table End Elevation

Legs for Dual Sided Big Tables

Planning Guidelines and Specifications

Antenna dual big tables can be planned in 120 degree Antenna tops, 120 degree intermediate legs, standard big table end legs, rails, center beams and power components.

When planning with 120 degree tops, an intermediate leg for 120 degree must be specified. The vertical legs are shifted to allow for ample kneespace. The top of the intermediate leg for 120 degree is the same as the big table inset intermediate leg, with two standard cradles for rails, two extended arm cradles and brackets for the center beam between them.

Big table 120 degree planning uses the same components and capabilities as standard straight big table applications: linked modular power components, cable baskets and

wire management, center beam mounted screens, storage and monitor arms. Pedestals must be specified as mobile or freestanding with ballast for 120 degree applications.

Desk height 120 degree intermediate legs 25" high support a worksurface height of 28 1/2". Adjustable height 120 degree intermediate legs 23" H support worksurface height from 27" to 30".

Construction

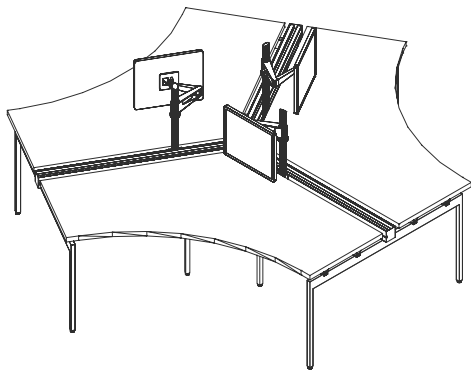
Big table desk height end legs, intermediate legs inset intermediate legs and 120 degree legs are 25" high steel weldments with 1" square legs and a 2 1/2" horizontal rail. Legs include 2 1/2" levelers with 3/8" stems and continuous 1 1/2" adjustment range.

Adjustable dual big table leg weldments are 23" high including 5" levelers with 5/8" stems and 3" continuous adjustment range.

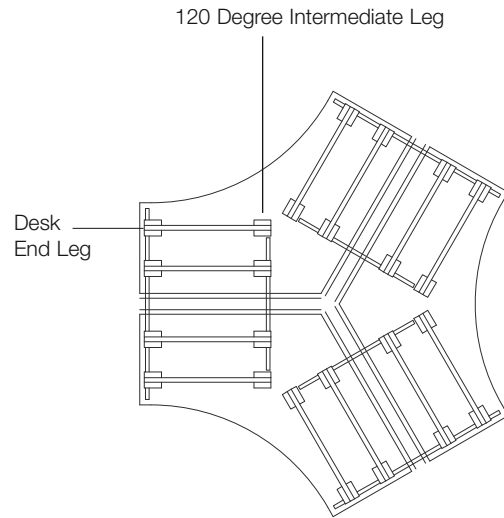
Cradles and clamps are cast aluminum with countersunk fasteners into legs, mating parts and tops.

Specification Options

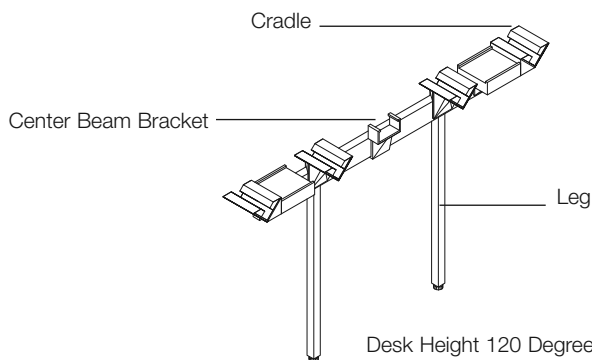
Big table end legs, intermediate legs, inset intermediate legs and 120 degree legs can be specified in any Knoll Core, Dark Red or Slate Blue paint finish. Specify cradle finish separately in any Knoll Core, Dark Red, or Slate Blue paint finish.



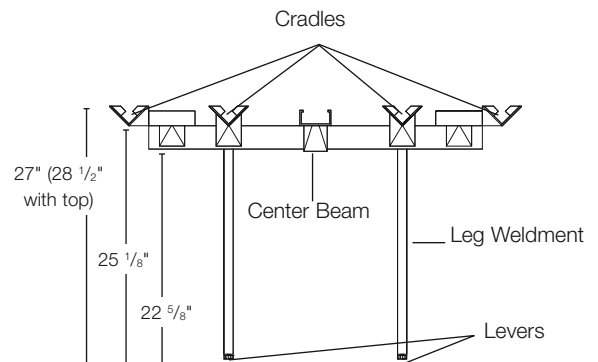
Desk Height 120 Degree Triad



Plan View of 120 Degree Triad



Desk Height 120 Degree Intermediate Leg

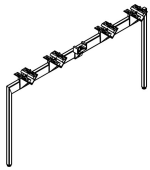


120 Degree Intermediate Leg

Legs for Dual Sided Big Tables

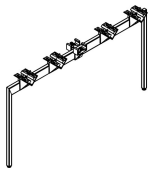
Desk Height

description	type	w	d	h	pattern no.	list
Desk Height End Leg for Dual Big Tables	For 18"D Dual Sided Big Tables	1"	38 1/2"	27"	YELDD38	\$513.
	For 24", 27" or 30"D Dual Sided Big Tables	1"	50 1/2"	27"	YELDD50	560.
	For 36"D Dual Sided Big Table	1"	62 1/2"	27"	YELDD62	574.



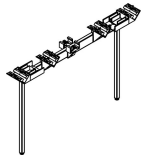
(YELDD50 shown)

Desk Height Intermediate Leg for Dual Big Tables	For 18"D Dual Sided Big Tables	1"	38 1/2"	27"	YILDD38	564.
	For 24", 27" or 30"D Dual Sided Big Tables	1"	50 1/2"	27"	YILDD50	621.
	For 36"D Dual Sided Big Tables	1"	62 1/2"	27"	YILDD62	625.



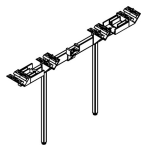
(YILDD50 shown)

Desk Height Inset Intermediate Leg for Dual Big Tables	For 24", 27" or 30"D Dual Sided Big Tables	1"	35 1/2"	27"	YILDD35	680.
	For 36"D Dual Sided Big Tables	1"	47 1/2"	27"	YILDD48	711.



(YILDD35 shown)

Desk Height 120° Intermediate Leg for Dual Big Tables	For 24" or 27"D Dual Sided Big Tables	1"	20"	27"	YILDDV20	740.
---	---------------------------------------	----	-----	-----	-----------------	------



Ordering Information

Legs for Dual Big Tables

1. Pattern Number
2. Leg Paint Finish
3. Cradle Paint Finish

Order Code

Legs for Dual Big Tables

Example: **YELDD50, 118T, 118T**

YEL	End Leg
D	Dual Big Table
D	Desk Height
50	Depth
118T	Bright White Paint
118T	Bright White Paint

Included With

- Legs for Dual Big Tables**
- (2) Glides
 - (4) Cradles
 - Center Beam Support Brackets
 - Attachment Hardware
- Mid Span Support Leg**
- Attachment Hardware
 - Glide

Options

Legs for Dual Big Tables

Legs for Dual Sided Big Tables

Desk Height

description	type	w	d	h	pattern no.	list
Desk Height Mid Span Support Leg for Center Beam	For 36"D Dual and Single Sided Big Tables wider than 54"W	1"	1"	25"	YILDD1	\$97.



Ordering Information

Legs for Dual Big Tables

1. Pattern Number
2. Leg Paint Finish
3. Cradle Paint Finish

Order Code

Legs for Dual Big Tables

Example: **YELDD50, 118T, 118T**

YEL	End Leg
D	Dual Big Table
D	Desk Height
50	Depth
118T	Bright White Paint
118T	Bright White Paint

Included With

Legs for Dual Big Tables

- (2) Glides
- (4) Cradles
- Center Beam Support Brackets
- Attachment Hardware

Mid Span Support Leg

- Attachment Hardware
- Glide

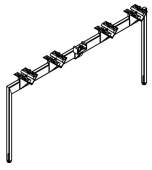
Options

Legs for Dual Big Tables

Legs for Dual Sided Big Tables

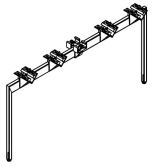
Adjustable Height

description	type	w	d	h	pattern no.	list
Adjustable Height End Leg for Dual Big Tables	For 18"D Dual Sided Big Tables	1"	38 1/2"	25 1/2" - 28 1/2"	YELDA38	\$550.
	For 24", 27" or 30"D Dual Sided Big Tables	1"	50 1/2"	25 1/2" - 28 1/2"	YELDA50	596.
	For 36"D Dual Sided Big Tables	1"	62 1/2"	25 1/2" - 28 1/2"	YELDA62	610.



(YELDA50 shown)

Adjustable Height Intermediate Leg for Dual Big Tables	For 18"D Dual Sided Big Tables	1"	38 1/2"	25 1/2" - 28 1/2"	YILDA38	599.
	For 24", 27" or 30"D Dual Sided Big Tables	1"	50 1/2"	25 1/2" - 28 1/2"	YILDA50	657.
	For 36"D Dual Sided Big Tables	1"	62 1/2"	25 1/2" - 28 1/2"	YILDA62	661.



(YILDA50 shown)

Adjustable Height Inset Intermediate Leg for Dual Big Tables	For 24", 27" or 30"D Dual Sided Big Tables	1"	35 1/2"	25 1/2" - 28 1/2"	YILDA35	715.
	For 36"D Dual Sided Big Table	1"	47 1/2"	25 1/2" - 28 1/2"	YILDA48	747.



(YILDA35 shown)

Adjustable Height 120° Intermediate Leg for Dual Big Tables	For 24" or 27"D Dual Sided Big Table	1"	20"	25 1/2" - 28 1/2"	YILDAV20	775.
---	--------------------------------------	----	-----	-------------------	-----------------	------



Adjustable Height Mid Span Support Leg for Center Beam	For 36"D Dual and Single Sided Big Tables wider than 54"	1"	1"	23 1/2" - 26 1/2"	YILDA1	116.
--	--	----	----	-------------------	---------------	------



Ordering Information

Legs for Dual Big Tables

1. Pattern Number
2. Leg Paint Finish
3. Cradle Paint Finish

Order Code

Legs for Dual Big Tables

Example: **YELDA50, 118T, 118T**

YEL	End Leg
D	Dual Big Table
A	Adjustable Height
50	Depth
118T	Bright White Paint
118T	Bright White Paint

Included With

Legs for Dual Big Tables
 (2) Glides
 (4) Cradles
 Center Beam Support Brackets
 Attachment Hardware

Mid Span Support Leg
 Attachment Hardware
 Glide

Options

Legs for Dual Big Tables

Legs for Standing Height Dual Sided Big Tables

Planning Guidelines and Specifications

Standing height end legs for 36" high dual big tables are 33" high inverted U-shape supports for use at the ends of big table configurations of four or more positions. Standing height big tables with tops greater than 18" deep must have at least one inset intermediate leg with support brace for stability. Big table end legs include four cradles, support bracket for the center beam and two levelers. Cradles are V-shaped connectors with clamps that secure the rails over the leg and fasten the legs to the tops.

End legs for 18"D standing height big tables are 38 1/2" deep, inset 1 1/2" from front edges of tops. End legs for 24", 27" or 30" deep big tables are always 50 1/2" deep, inset 1 1/2" from front edges of 24" deep tops, 4 1/2" from front edges of 27" deep tops, and 7 1/2" from front edge of 30" deep tops.

Standing height intermediate legs for 36" high big tables are 33" high inverted U-shape supports shared between adjacent tops in

big tables with four or more positions. Big table intermediate legs include four cradles, two support brackets for center beams, and two levelers.

Intermediate legs for 18"D standing height big tables are 38 1/2" deep. Intermediate legs for 24", 27" or 30" deep big tables with tops 48"-54" wide can be same dimension as 50 1/2" deep end legs, or inset intermediate legs 35 1/2" deep. Inset intermediate legs with diagonal braces are required for 24" or deeper big tables with four or more positions of tops greater than 54" wide. Inset intermediate legs are inset 9" from front edges of 24" deep tops, 12" from front edges of 27" deep tops, and 15" from front edge of 30" deep tops. Inset intermediate legs are preconfigured with inserts for diagonal brace connection near each leveler.

Diagonal brace kit, which ensures the stability of standing height tables with tops up to 84" wide, includes a pair of V-shape chrome steel tubes connecting from the

base of each leg to the underside of the center beam. Standing height intermediate leg brace kit must be specified separately.

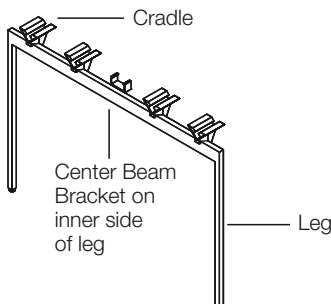
Inset intermediate legs are not available for 18"D big tables, and no standing height legs are available for 36"D tops.

Construction

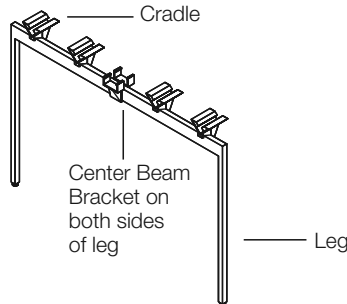
Standing height big table end legs and intermediate legs are steel weldments with 1" square legs and a 1" x 2 1/2" horizontal rail, reinforced internally. Legs include 2 1/2" levelers with 3/8" stems and continuous 1 1/2" adjustment range. Cradles and clamps are cast aluminum with countersunk fasteners into legs, mating parts and tops.

Specification Options

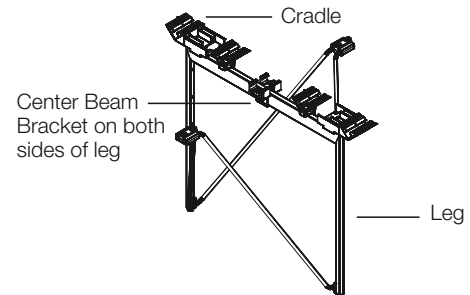
Standing height dual big table end legs, intermediate legs and inset intermediate legs can be specified in any Knoll Core, Dark Red or Slate Blue paint finish. Specify cradle finish separately. Brace kit is available in Knoll Core, Dark Red or Slate Blue paint finish and Chrome.



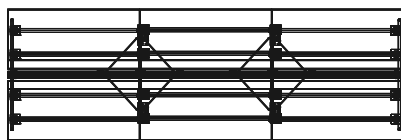
Standing Height Big Table End Leg



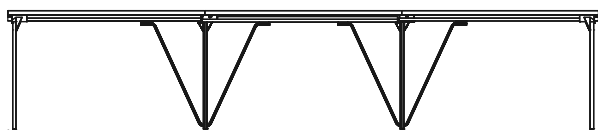
Standing Height Big Table Intermediate Leg



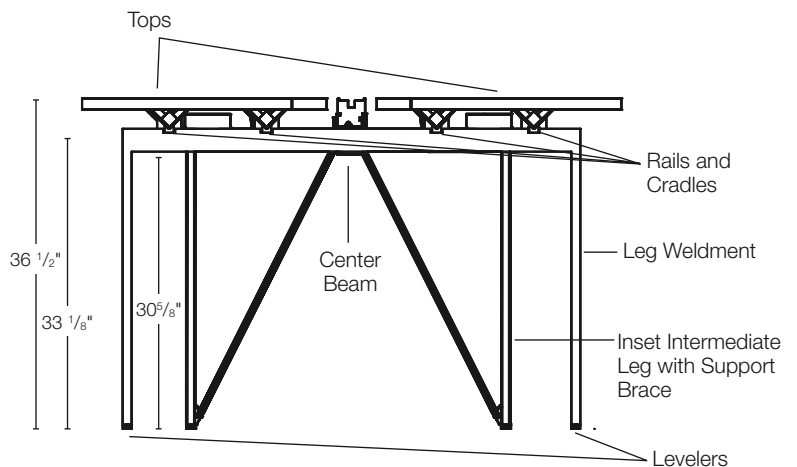
Standing Height Big Table Inset Intermediate Leg with Support Brace



Plan View of Big Table with Inset Intermediate Legs and Support Brace



Elevation View of Straight Big Table with Inset Intermediate Legs and Support Braces



Standing Height Dual Big Table End Elevations

Standing height end legs for big tables of only two positions with tops greater than 18" deep must have the end leg support brace for stability. Big table end legs for two position applications are drilled for the end leg support brace. Big table end legs include four cradles, support bracket for the center beam and two levelers. Cradles are V-shaped connectors with clamps that secure the rails over the leg and fasten the legs to the tops.

End legs drilled for diagonal brace for 24", 27" or 30" deep big tables are always 50 1/2" deep, inset 1 1/2" from front edges of 24" deep tops, 4 1/2" from front edges of 27" deep tops, and 7 1/2" from front edge of 30" deep tops.

Diagonal brace kit, which ensures the stability of standing height tables with tops up to 84" wide, includes a pair of chrome steel tubes connecting from the base of each leg to the underside of the center beam. Standing height end leg brace kit must be specified separately.

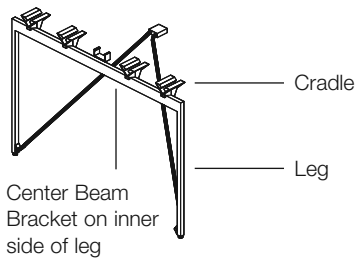
Tops of big tables with end leg support braces must be 54" or wider to accept a power harness.

Construction

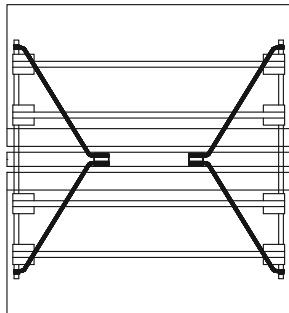
Standing height big table end legs and intermediate legs are steel weldments with 1" square legs and a 1" x 2 1/2" horizontal rail, reinforced internally. Legs include 2 1/2" levelers with 3/8" stems and continuous 1 1/2" adjustment range. Cradles and clamps are cast aluminum with countersunk fasteners into legs, mating parts and tops.

Specification Options

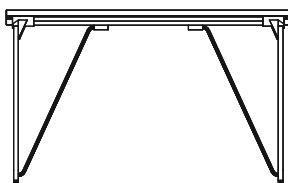
Standing height dual big table end legs, intermediate legs and inset intermediate legs can be specified in any Knoll Core, Dark Red or Slate Blue paint finish. Specify cradle finish separately. Brace kit is available in Knoll Core, Dark Red or Slate Blue paint finish and Chrome.



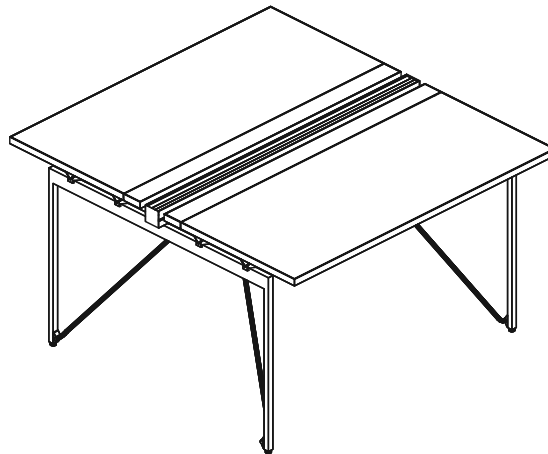
36"H Standing Height Big Table End Leg with Support Braces



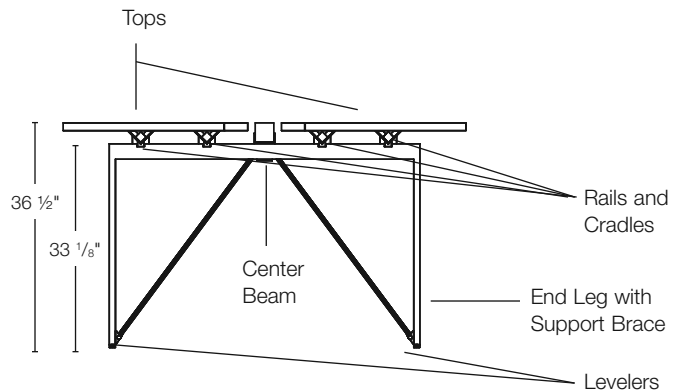
Plan View of Big Table with End Legs and Support Braces



Elevation View of Straight Big Table with End Legs and Support Braces



36"H Standing Height Two Position Dual Big Table with End Legs and Support Braces

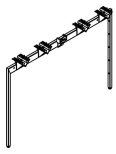


36" Standing Height Dual Big Table End Elevation

Legs for Standing Height Dual Sided Big Tables

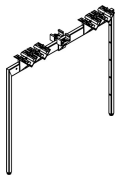
Standing Height 36"

description	type	w	d	h	pattern no.	list
36" Standing Height End Leg for Dual Big Tables	For 18"D Dual Big Tables	1"	38 1/2"	35"	YELDH38	\$818.
	For 24", 27" or 30"D Dual Big Tables	1"	50 1/2"	35"	YELDH50	849.



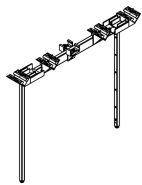
(YELDH50 shown)

36" Standing Height Intermediate Leg for Dual Big Tables	For 18"D Dual Big Tables	1"	38 1/2"	35"	YILDH38	884.
	For 24", 27" or 30"D Dual Big Tables	1"	50 1/2"	35"	YILDH50	915.



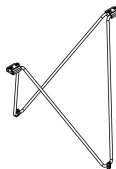
(YILDH38 shown)

36" Standing Height Inset Intermediate Leg for Dual Big Tables, Drilled for Diagonal Brace	For 24", 27" or 30"D Dual Big Tables	1"	35 1/2"	35"	YILDH35	1,055.
--	--------------------------------------	----	---------	-----	----------------	--------



(YILDH35 shown)

Support brace kit for standing height inset intermediate leg	For 24", 27" or 30"D Dual Big Tables	1"	20"	35"	YILDHB	385.
--	--------------------------------------	----	-----	-----	---------------	------



Ordering Information

Legs for Dual Big Tables

1. Pattern Number
2. Leg Paint Finish
3. Cradle Paint Finish

Order Code

Legs for Dual Big Tables

Example: **YELDH50, 118T, 118T**

YEL	End Leg
D	Dual Big Table
H	Standing Height
50	Depth
118T	Bright White Paint
118T	Bright White Paint

Included With

Legs for Dual Big Tables

- (2) Glides
- (4) Cradles
- Center Beam Support Brackets
- Attachment Hardware

Mid Span Support Leg

- Attachment Hardware
- Glide

Options

Legs for Dual Big Tables

All core painted finishes

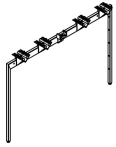
Support Brace

All core painted finishes and Chrome.

Legs for Standing Height Dual Sided Big Tables

Standing Height 36"

description	type	w	d	h	pattern no.	list
36" Standing Height End Leg for Dual Big Tables, Drilled for Diagonal Brace	For 24", 27" or 30"D Dual Big Tables	1"	50 1/2"	35"	YELDH50B	\$903.



(YELDH50 shown)

36" Support brace kit for standing height End Leg	For 24", 27" or 30"D Dual Big Tables	1"	20"	35"	YELDHB	242.
---	--------------------------------------	----	-----	-----	---------------	------



Ordering Information

Legs for Dual Big Tables

1. Pattern Number
2. Leg Paint Finish
3. Cradle Paint Finish

Order Code

Legs for Dual Big Tables

Example: **YELDH50, 118T, 118T**

YEL	End Leg
D	Dual Big Table
H	Standing Height
50	Depth
118T	Bright White Paint
118T	Bright White Paint

Included With

Legs for Dual Big Tables

- (2) Glides
- (4) Cradles
- Center Beam Support Brackets
- Attachment Hardware

Mid Span Support Leg

- Attachment Hardware
- Glide

Options

Legs for Dual Big Tables

All core painted finishes

Support Brace

All core painted finishes and Chrome.

Legs for Standing Height Dual Sided Big Tables

Planning Guidelines and Specifications

Standing height end legs for 42" high dual big tables are 39" high inverted U-shape supports for use at the ends of big table configurations. 42" high standing height big tables must have at least one inset intermediate leg with support brace for stability. Big table end legs include four cradles, support bracket for center beam and two levelers. Cradles are V-shaped connectors with clamps that secure the rails over the leg and fasten the legs to the tops.

End legs for 24", 27" or 30" deep big tables are always 50 1/2" deep, inset 1 1/2" from front edges of 24" deep tops, 4 1/2" from front edges of 27" deep tops, and 7 1/2" from front edge of 30" deep tops.

Standing height inset intermediate legs for 42" high big tables are 39" high inverted U-shape supports shared between adjacent tops.

Big table inset intermediate legs include four cradles, two support brackets for center beams and two levelers.

Inset intermediate legs with diagonal brace are required for all 42" high standing height big tables. Inset intermediate legs are always 35 1/2" deep, inset 9" from front edges of 24" deep tops, 12" from front edge of 27" deep tops, and 15" from front edge of 30" deep tops. Inset intermediate legs are preconfigured with inserts for diagonal brace connection near each leveler.

Diagonal brace kit, which ensures the stability of standing height tables with tops up to 84" wide, includes a pair of V-shape chrome steel tubes connecting from the base of each leg to the underside of the center beam. Standing height intermediate leg brace kit must be specified separately.

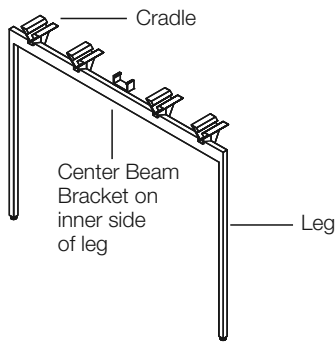
No standing height legs are available for 18" or 36" deep tops.

Construction

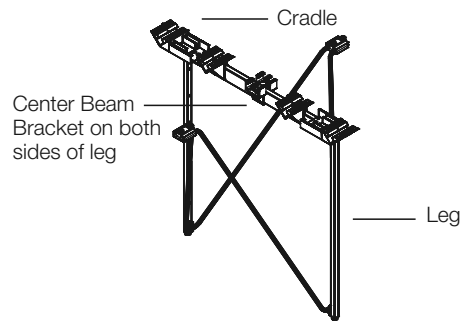
Standing height big table end legs and inset intermediate legs are steel weldments with 1" square legs and a 1" x 2 1/2" horizontal rail, reinforced internally. Legs include 2 1/2" levelers with 3/8" stems and continuous 1 1/2" adjustment range. Cradles and clamps are cast aluminum with countersunk fasteners into legs, mating parts and tops.

Specification Options

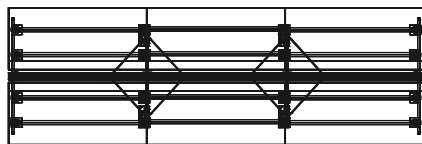
Standing height dual big table end legs and inset intermediate legs can be specified in any Knoll Core, Dark Red or Slate Blue paint finish. Specify cradle finish separately. Brace kit is available in Knoll Core, Dark Red or Slate Blue paint finish and Chrome.



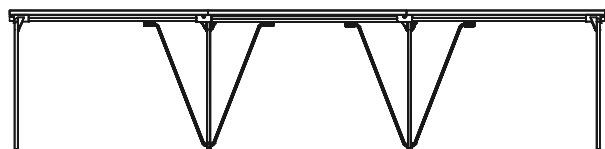
42"H Standing Height Big Table End Leg



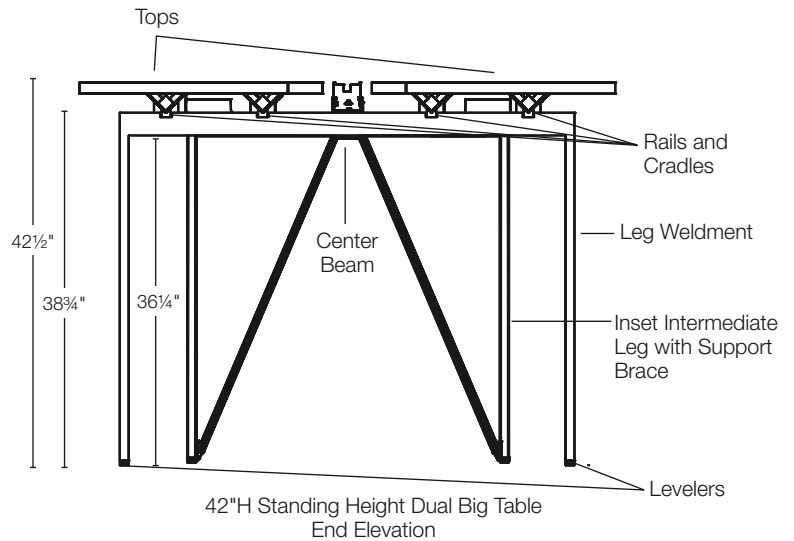
42"H Standing Height Big Table Inset Intermediate Leg with Support Brace



Plan View of Big Table with Inset Intermediate Legs and Support Brace



Elevation View of Straight Big Table with Inset Intermediate Legs and Support Braces



42"H Standing Height Dual Big Table End Elevation

Legs for Standing Height Dual Sided Big Tables

Planning Guidelines and Specifications

Standing height end legs for big tables of only two positions must have the end leg support brace for stability. Big table end legs for two position applications are drilled for the end leg support brace. Big table end legs include four cradles, support bracket for the center beam and two levelers. Cradles are V-shaped connectors with clamps that secure the rails over the leg and fasten the legs to the tops.

End legs drilled for diagonal brace for 24", 27" or 30" deep big tables are always 50 1/2" deep, inset 1 1/2" from front edges of 24" deep tops, 4 1/2" from front edges of 27" deep tops, and 7 1/2" from front edge of 30" deep tops.

Diagonal brace kit, which ensures the stability of standing height tables with tops up to 84" wide, includes a pair of chrome steel tubes connecting from the base of each leg to the underside of the center beam. Standing height end leg brace kit must be specified separately.

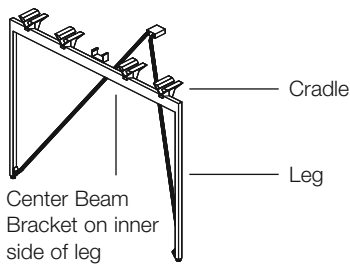
Tops of big tables with end leg support braces must be 54" or wider to accept a power harness.

Construction

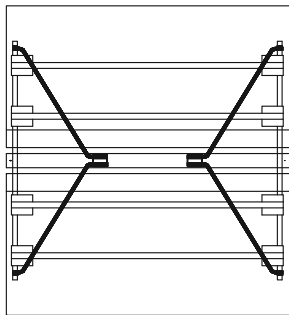
Standing height big table end legs and intermediate legs are steel weldments with 1" square legs and a 1" x 2 1/2" horizontal rail, reinforced internally. Legs include 2 1/2" levelers with 3/8" stems and continuous 1 1/2" adjustment range. Cradles and clamps are cast aluminum with countersunk fasteners into legs, mating parts and tops.

Specification Options

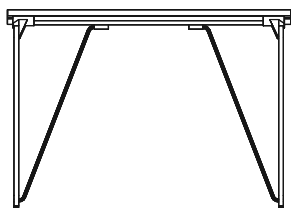
Standing height dual big table end legs, intermediate legs and inset intermediate legs can be specified in any Knoll Core, Dark Red or Slate Blue paint finish. Specify cradle finish separately. Brace kit is available in Knoll Core, Dark Red or Slate Blue paint finish and Chrome.



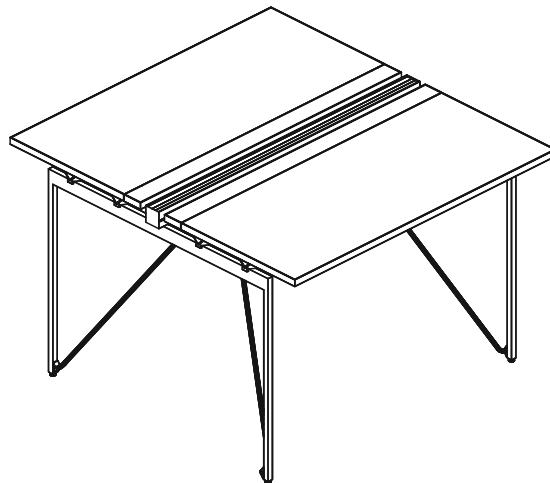
42" Standing Height Big Table End Leg with Support Braces



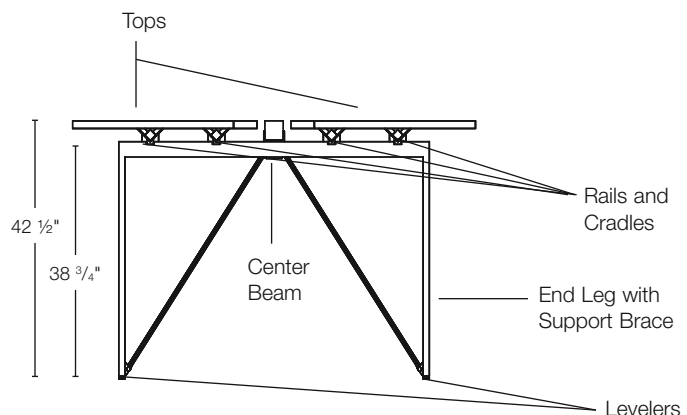
Plan View of Big Table with End Legs and Support Braces



Elevation View of Straight Big Table with End Legs and Support Braces



42" Standing Height Two Position Dual Big Table with End Legs and Support Braces

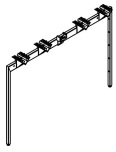


42" Standing Height Dual Big Table End Elevation

Legs for Standing Height Dual Sided Big Tables

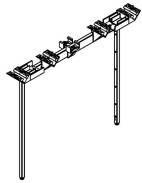
Standing Height 42"

description	type	w	d	h	pattern no.	list
42" Standing Height End Leg for Dual Big Tables	For 24", 27" or 30"D Dual Big Tables	1"	50½"	41"	YELDT50	\$874.



(YELDT50 shown)

42" Standing Height Inset Intermediate Leg for Dual Big Tables, Drilled for Diagonal Brace	For 24", 27" or 30"D Dual Big Tables	1"	35½"	41"	YILDT35	1,083.
--	--------------------------------------	----	------	-----	----------------	--------



(YILDT35 shown)

42" Support brace kit for standing height inset intermediate leg	For 24", 27" or 30"D Dual Big Tables	1"	20"	41"	YILDTB	433.
--	--------------------------------------	----	-----	-----	---------------	------



Ordering Information

Legs for Dual Big Tables

1. Pattern Number
2. Leg Paint Finish
3. Cradle Paint Finish

Order Code

Legs for Dual Big Tables

Example: **YELDT50, 118T, 118T**

YEL	End Leg
D	Dual Big Table
T	Standing Height
50	Depth
118T	Bright White Paint
118T	Bright White Paint

Included With

Legs for Dual Big Tables

- (2) Glides
- (4) Cradles
- Center Beam Support Brackets
- Attachment Hardware

Mid Span Support Leg

- Attachment Hardware
- Glide

Options

Legs for Dual Big Tables

All core painted finishes

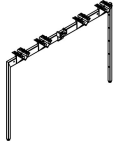
Support Brace

All core painted finishes and Chrome

Legs for Standing Height Dual Sided Big Tables

Standing Height 42"

description	type	w	d	h	pattern no.	list
42" Standing Height End Leg for Dual Big Tables, Drilled for Diagonal Brace	For 24", 27" or 30"D Dual Big Tables	1"	50 1/2"	41"	YELDT50B	\$929.



(YELDT50 shown)

42" Support brace kit for standing height End Leg	For 24", 27" or 30"D Dual Big Tables	1"	20"	41"	YELDTB	250.
---	--------------------------------------	----	-----	-----	---------------	------



Ordering Information

Legs for Dual Big Tables

1. Pattern Number
2. Leg Paint Finish
3. Cradle Paint Finish

Order Code

Legs for Dual Big Tables

Example: **YELDT50, 118T, 118T**

YEL	End Leg
D	Dual Big Table
T	Standing Height
50	Depth
118T	Bright White Paint
118T	Bright White Paint

Included With

Legs for Dual Big Tables

- (2) Glides
- (4) Cradles
- Center Beam Support Brackets
- Attachment Hardware

Mid Span Support Leg

- Attachment Hardware
- Glide

Options

Legs for Dual Big Tables

All core painted finishes

Support Brace

All core painted finishes and Chrome

Legs for Single Sided Big Tables

Planning Guidelines and Specifications

End legs for single sided big tables are 25" high inverted U-shape supports for use at the ends of single sided big table configurations. End legs include cradles, support bracket for the center beam and two levelers. Cradles are V-shape connectors with clamps that secure starter or extended rails to the leg and fasten the legs and rails to the top.

Intermediate legs for single sided big tables are shared between adjacent tops. Single sided intermediate legs include two cradles, two support brackets for center beams and two levelers.

Legs For Basic Single Sided Big Tables

End legs and intermediate legs for basic single sided big tables with 18" deep tops are 22" deep, set back 1 1/2" from the front edge.

End legs and intermediate legs for tables with tops that are 24", 27" or 30" deep are 28" deep, set back 1 1/2" from the front edge of 24" deep tops, 4 1/2" from the front of 27" deep tops, and 7 1/2" from the front of 30" deep tops. End legs and intermediate legs for basic big tables with 36" deep tops are 34" deep, and set back 7 1/2" from the front edge.

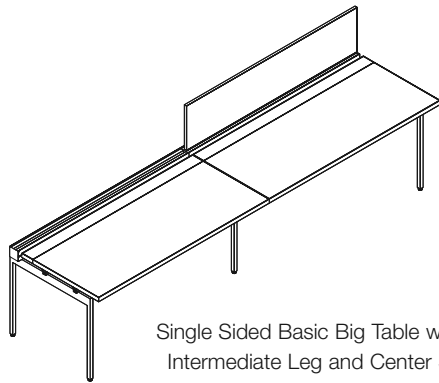
For big tables with tops deeper than 18", inset intermediate legs offer more kneespace than standard intermediate legs: inset intermediate legs 20" deep are recessed 9" from front edge

of 24" deep tops, 12" from front of 27" deep tops and 15" from front of 30" deep tops. Inset intermediate legs 26" deep are recessed 15" from front edge of 36" deep table tops.

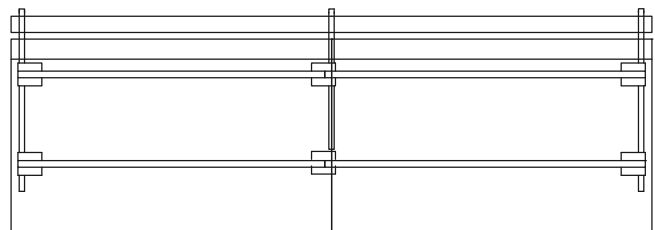
Overall depth of basic single sided big table is about 5 1/2" more than big table tops.

End legs can be positioned from 1 1/2" to 6" in from the end of a big table top. Intermediate legs or inset intermediate legs must be mounted directly under the joint of two tops.

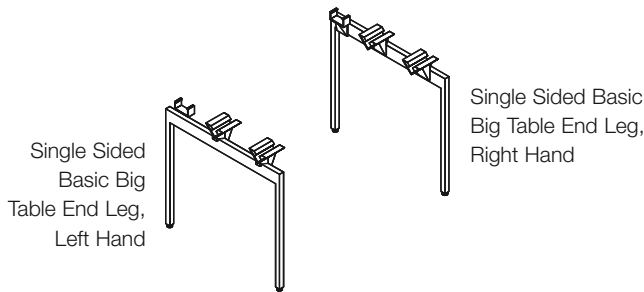
Note that stanchion mounted cabinets do not mount to center beam of basic single sided big tables. Specify the full back version of the single sided big table if stanchion mounted storage is required.



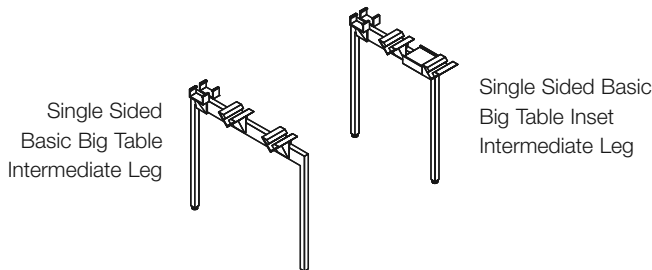
Single Sided Basic Big Table with Inset Intermediate Leg and Center Screen



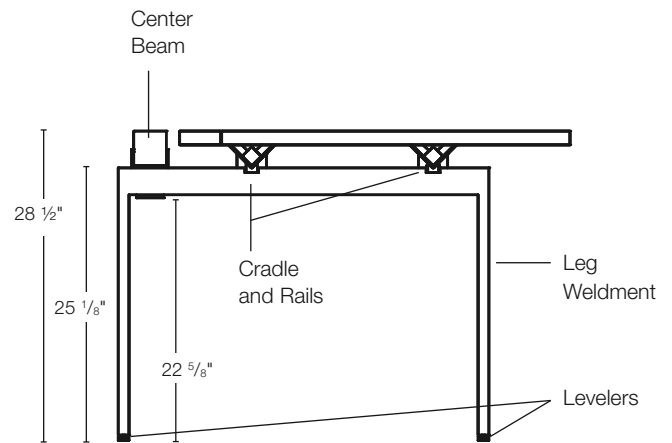
Plan View of Single Sided Basic Big Table



Center beam Bracket on Inner Side of End Leg



Center Beam Bracket on Both Sides of Intermediate Leg



Basic Single Sided Big Table End Elevation

Legs for Single Sided Big Tables

Planning Guidelines and Specifications

Legs For Full Back Single Sided Big Tables

End legs and intermediate legs for full back, single sided big tables with 18" deep tops are 28" deep, set back 1 1/2" from the front edge. End legs and intermediate legs for tables with tops that are 24", 27" or 30" deep are 34" deep, set back 1 1/2" from the front edge of 24" deep tops, 4 1/2" from the front of 27" deep tops, and 7 1/2" from the front of 30" deep tops. End legs and intermediate legs for basic big tables with 36" deep tops are 40" deep, and set back 7 1/2" from the front edge.

For big tables with tops deeper than 18", inset intermediate legs offer more kneespace than standard intermediate legs: inset intermediate legs 26 1/2" deep are recessed 9" from front edge of 24" deep tops, 12" from front of 27" deep tops and 15" from front of 30" deep tops. Inset intermediate legs 32 1/2" deep are recessed 15" from front edge of 36" deep tops.

Overall depth of full back single sided big tables is about 13" more than the big table tops.

End legs can be positioned from 1 1/2" to 6" in from the end of a big table top, or centered under the joint of a top and extension top. Intermediate legs or inset intermediate legs must be mounted directly under the joint of two tops.

Note that stanchion mounted cabinets mount on full back single sided big table center beam with storage stanchion supports, specified separately.

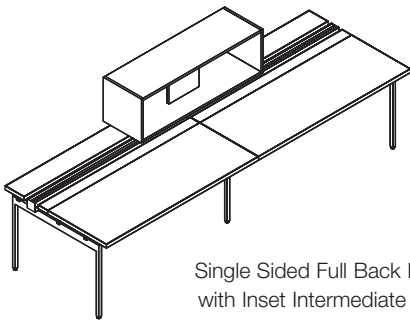
Construction

Big table end legs, intermediate legs and inset intermediate legs are steel weldments with 1" square legs and a 2 1/2" horizontal rail. Standard legs include 2 1/2" levelers with 3/8" stems and continuous 1 1/2" adjustment range for desk tops from 28 3/8" to 30" overall height. Adjustable legs include 5" levelers with 5/8" diameter stems and a continuous 3" adjustment range for desk tops from 27"-30" overall height.

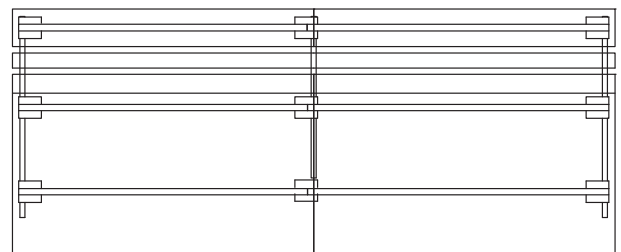
Cradles and clamps are cast aluminum with countersunk fasteners into legs, mating parts and tops.

Specifications Options

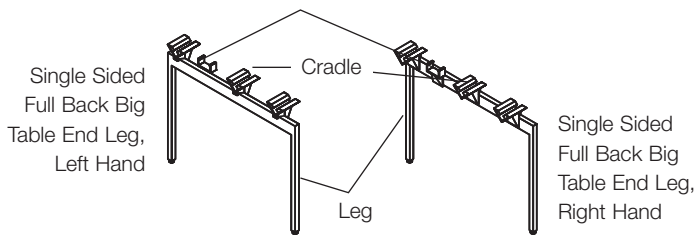
Big table end legs, intermediate legs and inset intermediate legs can be specified in any Knoll Core, Dark Red or Slate Blue paint finish. Specify cradle finish separately in any Knoll Core, Dark Red or Slate Blue paint finish.



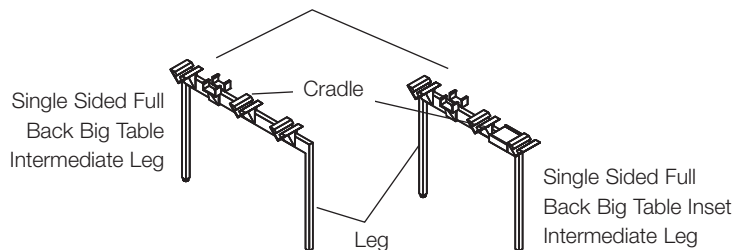
Single Sided Full Back Big Table with Inset Intermediate Leg and Stanchion Mounted Open Cabinet



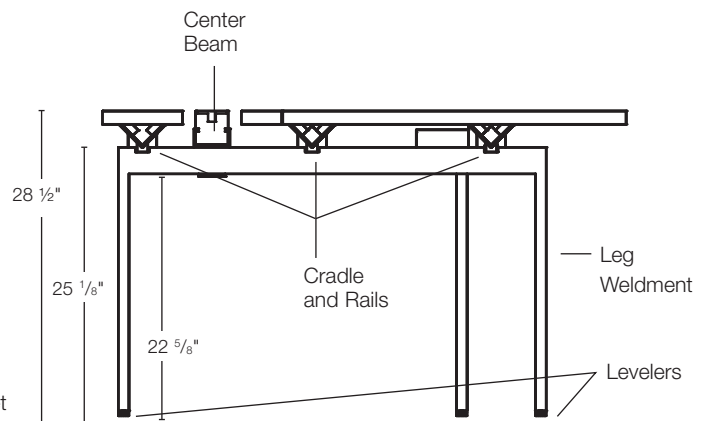
Plan View of Single Sided Full Back Big Table



Center Beam Bracket on Inner Side of Leg



Center Beam Bracket on Both Sides of Leg

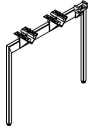


Full Back Single Sided Big Table End Elevation

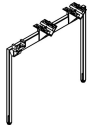
Legs for Single Sided Big Tables

Desk Height, Basic

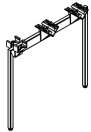
description	type	w	d	h	pattern no.	list
Desk Height End Legs for Single Sided Basic Big Tables (Left Shown)	Left support for 18"D single sided big table	1"	22"	25"	YEL2SSDB22L	\$377.
	Left support for 24", 27" or 30"D single sided big table	1"	28"	25"	YEL2SSDB28L	393.
	Left support for 36"D single sided big table	1"	34"	25"	YEL2SSDB34L	409.



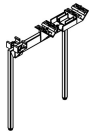
Desk Height End Legs for Single Sided Basic Big Tables (Right Shown)	Right support for 18"D single sided big table	1"	22"	25"	YEL2SSDB22R	377.
	Right support for 24", 27" or 30"D single sided big table	1"	28"	25"	YEL2SSDB28R	393.
	Right support for 36"D single sided big table	1"	34"	25"	YEL2SSDB34R	409.



Desk Height Intermediate Legs for Single Sided Basic Big Tables	For 18"D single sided big tables	1"	22"	25"	YIL2SSDB22	437.
	For 24", 27" or 30"D single sided big table	1"	28"	25"	YIL2SSDB28	454.
	For 36"D single sided big table	1"	34"	25"	YIL2SSDB34	469.



Desk Height Inset Intermediate Legs for Single Sided Basic Big Tables	For 24", 27" or 30"D single sided big table	1"	20"	25"	YIL2SSDB20	508.
	For 36"D single sided big table	1"	26"	25"	YIL2SSDB26	524.



Ordering Information

Legs for Single Big Tables

1. Pattern Number
2. Leg Paint Finish
3. Cradle Paint Finish

Order Code

Legs for Single Side Big Tables

Example: **YELSSDB22L, 118T, 118T**

YEL	End Leg
SS	Single Sided Big Table
D	Desk Height
B	Basic
22	Depth
L	Left Support
118T	Bright White Paint
118T	Bright White Paint

Included With

Legs for Single Side Big Tables

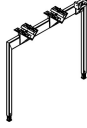

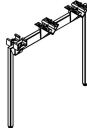
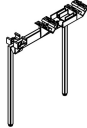
(2) Glides
(4) Cradles
Center Beam Support Brackets
Attachment Hardware

Options

Legs for Single Side Big Tables

Legs for Single Sided Big Tables

Adjustable Height, Basic

description	type	w	d	h	pattern no.	list
 Adjustable Height End Legs for Single Sided Basic Big Tables (Left Shown)	Left support for 18"D single sided big table	1"	22"	25 1/2" - 28 1/2"	YEL2SSAB22L	\$411.
	Left support for 24", 27" or 30"D single sided big table	1"	28"	25 1/2" - 28 1/2"	YEL2SSAB28L	427.
	Left support for 36"D single sided big table	1"	34"	25 1/2" - 28 1/2"	YEL2SSAB34L	442.
 Adjustable Height End Legs for Single Sided Basic Big Tables (Right Shown)	Right support for 18"D single sided big table	1"	22"	25 1/2" - 28 1/2"	YEL2SSAB22R	411.
	Right support for 24", 27" or 30"D single sided big table	1"	28"	25 1/2" - 28 1/2"	YEL2SSAB28R	427.
	Right support for 36"D single sided big table	1"	34"	25 1/2" - 28 1/2"	YEL2SSAB34R	442.
 Adjustable Height Intermediate Legs for Single Sided Basic Big Tables	For 18"D single sided big tables	1"	22"	25 1/2" - 28 1/2"	YIL2SSAB22	470.
	For 24", 27" or 30"D single sided big tables	1"	28"	25 1/2" - 28 1/2"	YIL2SSAB28	487.
	For 36"D single sided big tables	1"	34"	25 1/2" - 28 1/2"	YIL2SSAB34	502.
 Adjustable Height Inset Intermediate Legs for Single Sided Basic Big Tables	For 24", 27" or 30"D single sided big tables	1"	20"	25 1/2" - 28 1/2"	YIL2SSAB20	541.
	For 36"D single sided big table	1"	26"	25 1/2" - 28 1/2"	YIL2SSAB26	557.

Desk and Table Support

Ordering Information

Legs for Single Big Tables

1. Pattern Number
2. Leg Paint Finish
3. Cradle Paint Finish

Order Code

Legs for Single Side Big Tables

Example: **YELSSAB22L, 118T, 118T**

YEL	End Leg
SS	Single Sided Big Table
A	Adjustable Height
B	Basic
22	Depth
L	Left Support
118T	Bright White Paint
118T	Bright White Paint

Included With

Legs for Single Side Big Tables

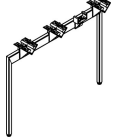
- (2) Glides
- (4) Cradles
- Center Beam Support Brackets
- Attachment Hardware

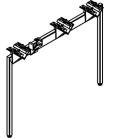
Options

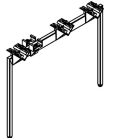
Legs for Single Side Big Tables

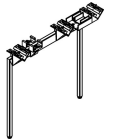
Legs for Single Sided Big Tables

Desk Height, Full Back

description	type	w	d	h	pattern no.	list
 Desk Height End Legs for Single Sided Full Back Big Tables (Left Shown)	Left support for 18"D single sided big table	1"	28"	25"	YELSSDF28L	\$431.
	Left support for 24", 27" or 30"D single sided big table	1"	34"	25"	YELSSDF34L	444.
	Left support for 36"D single sided big table	1"	40"	25"	YELSSDF40L	465.

 Desk Height End Legs for Single Sided Full Back Big Tables (Right Shown)	Right support for 18"D single sided big table	1"	28"	25"	YELSSDF28R	431.
	Right support for 24", 27" or 30"D single sided big table	1"	34"	25"	YELSSDF34R	444.
	Right support for 36"D single sided big table	1"	40"	25"	YELSSDF40R	465.

 Desk Height Intermediate Legs for Single Sided Full Back Big Tables	For 18"D single sided big tables	1"	28"	25"	YILSSDF28	482.
	For 24", 27" or 30"D single sided big table	1"	34"	25"	YILSSDF34	497.
	For 36"D single sided big table	1"	40"	25"	YILSSDF40	554.

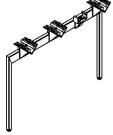
 Desk Height Inset Intermediate Legs for Single Sided Full Back Big Tables	For 24", 27" or 30"D single sided big table	1"	26 1/2"	25"	YILSSDF26	550.
	For 36"D single sided big table	1"	32 1/2"	25"	YILSSDF32	564.

Ordering Information	Order Code	Included With	Options
Legs for Single Big Tables 1. Pattern Number 2. Leg Paint Finish 3. Cradle Paint Finish	Legs for Single Side Big Tables <i>Example:</i> YELSSDF28L, 118T, 118T YEL End Leg SS Single Sided Big Table D Desk Height F Full Performance 28 Depth L Left Support 118T Bright White Paint 118T Bright White Paint	Legs for Single Side Big Tables (2) Glides (4) Cradles Center Beam Support Brackets Attachment Hardware	Legs for Single Side Big Tables


Legs for Single Sided Big Tables

Adjustable Height, Full Back


description	type	w	d	h	pattern no.	list
Adjustable Height End Legs for Single Sided Full Back Big Tables (Left Shown)	Left support for 18"D single sided big table	1"	28"	25 1/2" - 28 1/2"	YELSSAF28L	\$466.
	Left support for 24", 27" or 30"D single sided big table	1"	34"	25 1/2" - 28 1/2"	YELSSAF34L	479.
	Left support for 36"D single sided big table	1"	40"	25 1/2" - 28 1/2"	YELSSAF40L	501.



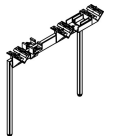
Adjustable Height End Legs for Single Sided Full Back Big Tables (Right Shown)	Right support for 18"D single sided big table	1"	28"	25 1/2" - 28 1/2"	YELSSAF28R	466.
	Right support for 24", 27" or 30"D single sided big table	1"	34"	25 1/2" - 28 1/2"	YELSSAF34R	479.
	Right support for 36"D single sided big table	1"	40"	25 1/2" - 28 1/2"	YELSSAF40R	501.



Adjustable Height Intermediate Legs for Single Sided Full Back Big Tables	For 18"D single sided big tables	1"	28"	25 1/2" - 28 1/2"	YILSSAF28	519.
	For 24", 27" or 30"D single sided big tables	1"	34"	25 1/2" - 28 1/2"	YILSSAF34	533.
	For 36"D single sided big tables	1"	40"	25 1/2" - 28 1/2"	YILSSAF40	554.



Adjustable Height Inset Intermediate Legs for Single Sided Full Back Big Tables	For 24", 27" or 30"D single sided big tables	1"	26 1/2"	25 1/2" - 28 1/2"	YILSSAF26	586.
	For 36"D single sided big table	1"	32 1/2"	25 1/2" - 28 1/2"	YILSSAF32	599.



Ordering Information	Order Code	Included With	Options
Legs for Single Big Tables	Legs for Single Side Big Tables	Legs for Single Side Big Tables	Legs for Single Side Big Tables
1. Pattern Number	<i>Example:</i> YELSSAF28L, 118T, 118T	(2) Glides	
2. Leg Paint Finish	YEL End Leg	(4) Cradles	
3. Cradle Paint Finish	SS Single Sided Big Table	Center Beam Support Brackets	
	A Adjustable Height	Attachment Hardware	
	F Full Performance		
	28 Depth		
	L Left Support		
	118T Bright White Paint		
	118T Bright White Paint		

Legs for C-Leg and T-Leg Tables

Planning Guidelines and Specifications

C-Leg and T-Leg table bases are designed for use with corresponding Antenna tops to create freestanding tables. Antenna tops designated for use with C-Leg and T-Leg table bases must be specified separately. Bases include hardware for mounting top to base.

C-Leg and T-Leg bases are available fixed height or height adjustable. All four height adjustable options are able to be adjusted by the user. Height adjustable options include: Pin-Set, Handcrank, Electric and Advanced Electric. Pin-Set bases adjust with the placement of a pin in each leg to create the appropriate height worksurface for each individual user. Handcrank table bases have a handle on the front of the table base underneath the top that turns to adjust the height of the table. Both types of electric bases have button controls on the front edge of the base underneath the top to adjust the top up and down.

23" deep C-Leg bases support rectangular tops up to 24" deep. 29" deep C-Leg bases support rectangular tops up to 30" deep. 29" deep T-Leg bases support rectangular tops up to 36" deep when centered over feet.

For power and data access, Dividends Horizon desktop power and data modules or Antenna Workspaces desktop outlet centers may be specified separately for use with C-Leg and T-Leg tables.

Dividends Horizon worksurface cable management baskets may be specified separately for use with C-Leg and T-Leg tables.

When privacy screens are required, Antenna Workspaces or Morrison Network privacy screens may be specified separately for use with C-Leg and T-Leg tables.

Construction

C-Leg and T-Leg base feet are a two piece construction with formed top and bottom plates made from 8 gauge steel. Feet include levelers with $\frac{3}{8}$ " height adjustability. The crossbars are 14 gauge formed steel "J" channels. Top plates are 13 gauge steel. Shroud is 20 gauge formed steel.

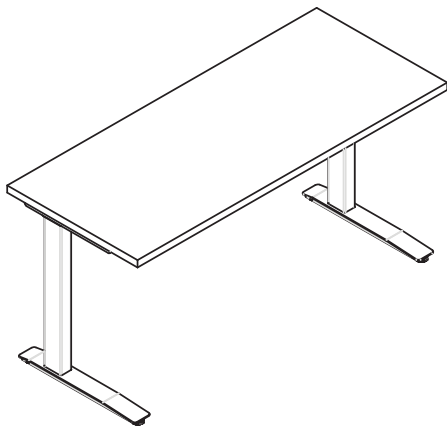
Power usage requirements for electric bases are 110 Volts, 60 Hertz. The power usage breakdown is 4 amp start-up draw, 3.5 amp running draw and zero energy shadow draw when motors not in use.

Specification Options

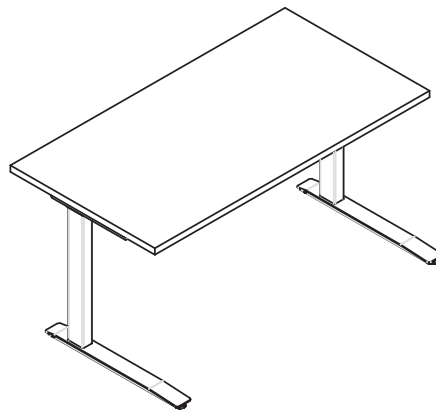
Base comes in Black (9005), Knoll Silver or Knoll Bright White paint finish. Optional lower leg shroud and feet can be specified in Knoll Core paint finishes.

Base Types	Fixed	Pin-Set	Handcrank	Electric	Advanced Electric
Height Range*	27"	22"-35"	22"-35"	27"-46 ½"	21"-47 ½"
Adjustment	N/A	1" increments	"5" turns per inch	1 ½" per second	1 ½" per second
Load Capacity	440 lbs.	440 lbs.	260 lbs.	300 lbs.	300 lbs.

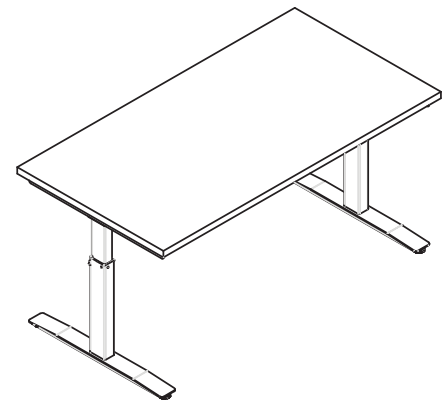
*Height ranges shown do not include top thickness



24"D x 60"W C-Leg Fixed Height Table



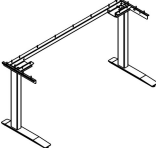
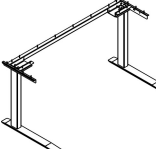
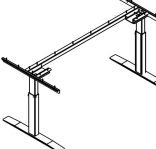
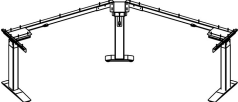
30"D x 60"W C-Leg Fixed Height Table



36"D x 60"W T-Leg Pin-Set Table

Legs for C-Leg and T-Leg Tables

Fixed Height and Height Adjustable

description	type	w*	w	d	pattern no.	Fixed (F)	Pin-Set (P)	Hand-crank (H)	Electric (E)	Advanced Electric (A)
 <p>24" Deep C-Leg Bases</p>	For use with 36"W, 24"D Antenna C-Leg Top	36"	34"	23"	YUBC3423()	\$1,018.	\$1,357.	\$2,035.	\$3,535.	\$3,721.
	For use with 42"W, 24"D Antenna C-Leg Top	42"	40"	23"	YUBC4023()	1,018.	1,357.	2,035.	3,535.	3,721.
	For use with 48"W, 24"D Antenna C-Leg Top	48"	46"	23"	YUBC4623()	1,018.	1,357.	2,035.	3,535.	3,721.
	For use with 54"W, 24"D Antenna C-Leg Top	54"	52"	23"	YUBC5223()	1,018.	1,357.	2,035.	3,535.	3,721.
	For use with 60"W, 24"D Antenna C-Leg Top	60"	58"	23"	YUBC5823()	1,018.	1,357.	2,035.	3,535.	3,721.
	For use with 66"W, 24"D Antenna C-Leg Top	66"	64"	23"	YUBC6423()	1,041.	1,380.	2,059.	3,558.	3,746.
	For use with 72"W, 24"D Antenna C-Leg Top	72"	70"	23"	YUBC7023()	1,041.	1,380.	2,059.	3,558.	3,746.
<i>Fixed Shown</i>										
 <p>30" Deep C-Leg Bases</p>	For use with 36"W, 30"D Antenna C-Leg Top	36"	34"	29"	YUBC3429()	1,066.	1,405.	2,084.	3,582.	3,769.
	For use with 42"W, 30"D Antenna C-Leg Top	42"	40"	29"	YUBC4029()	1,066.	1,405.	2,084.	3,582.	3,769.
	For use with 48"W, 30"D Antenna C-Leg Top	48"	46"	29"	YUBC4629()	1,066.	1,405.	2,084.	3,582.	3,769.
	For use with 54"W, 30"D Antenna C-Leg Top	54"	52"	29"	YUBC5229()	1,066.	1,405.	2,084.	3,582.	3,769.
	For use with 60"W, 30"D Antenna C-Leg Top	60"	58"	29"	YUBC5829()	1,066.	1,405.	2,084.	3,582.	3,769.
	For use with 66"W, 30"D Antenna C-Leg Top	66"	64"	29"	YUBC6429()	1,091.	1,430.	2,107.	3,605.	3,794.
	For use with 72"W, 30"D Antenna C-Leg Top	72"	70"	29"	YUBC7029()	1,091.	1,430.	2,107.	3,605.	3,794.
<i>Fixed Shown</i>										
 <p>30" Deep T-Leg Bases</p>	For use with 48"W, 30" or 36"D Antenna T-Leg Top	48"	46"	29"	YUBT4629()	1,066.	1,405.	2,084.	3,582.	3,769.
	For use with 54"W, 30" or 36"D Antenna T-Leg Top	54"	52"	29"	YUBT5229()	1,066.	1,405.	2,084.	3,582.	3,769.
	For use with 60"W, 30" or 36"D Antenna T-Leg Top	60"	58"	29"	YUBT5829()	1,066.	1,405.	2,084.	3,582.	3,769.
	For use with 66"W, 30" or 36"D Antenna T-Leg Top	66"	64"	29"	YUBT6429()	1,091.	1,430.	2,107.	3,605.	3,794.
	For use with 72"W, 30" or 36"D Antenna T-Leg Top	72"	70"	29"	YUBT7029()	1,091.	1,430.	2,107.	3,605.	3,794.
<i>Pin-Set Shown</i>										
 <p>C-Leg 120° Bases</p>	For use with 24"D, 27"D 120° Top	48"	46"	16"	YUBY464616()	1,647.	2,157.	n/a	5,423.	5,709.
	For use with 24"D, 27"D 120° Top	54"	52"	16"	YUBY525216()	1,647.	2,157.	n/a	5,423.	5,709.
	For use with 24"D, 27"D 120° Top	60"	58"	16"	YUBY585816()	1,647.	2,157.	n/a	5,423.	5,709.

w* = nominal width

Ordering Information	Order Code	Included With	Options
C-Leg and T-Leg Bases 1. Pattern Number 2. Base Type 3. Shroud Option 4. Base Finish 5. Shroud/Feet Paint Finish (optional)	C-Leg and T-Leg Bases <i>Example:</i> YUBC5829HS, 9005, 613 YUB Universal Base C C-Leg 58 Width 29 Depth H Handcrank S Shroud 9005 Black Base Finish 613 Shroud/Feet Paint Finish	C-Leg and T-Leg Bases Mounting hardware Shrouds (optional)	C-leg and T-Leg Bases Base Type Options: (F) = Fixed (27" High) (P) = Pin-Set (22" - 35" High) (H) = Handcrank (22" - 35" High) (E) = Electric (27" - 46 1/2" High) (A) = Advanced Electric (21" - 47 1/2" High) Shroud Option: Add an 'S' suffix to the pattern number to specify a painted shroud for the lower leg with matching foot and add \$100 to the list price. Add an 'N' suffix to specify a leg without a shroud. Base Option: (9005) Black paint (613) Silver paint (118) Bright White paint

Desk and Table Support

Legs for C-Leg and T-Leg Tables

Fixed Height and Height Adjustable

description	type	w	d	h	pattern no.	list
Electric Table Memory Switch with Digital Display	For use with Electric C-Leg and T-Leg bases	5"	.75"	1"	SISDDPS	\$399.



Locking Casters, Set of 4	For use with C-Leg and T-Leg bases	2"	2"	1.5"	SISLC4	53.
---------------------------	------------------------------------	----	----	------	---------------	-----



Ordering Information	Order Code	Included With	Options
C-Leg and T-Leg Bases	Example: SISDDPS	C-Leg and T-Leg Bases	C-Leg and T-Leg Bases
1. Pattern Number	SIS Universal Base DDPS Electric Table Memory Switch with Digital Display		

Modesty Panels for Desks or Returns

Planning Guidelines and Specifications

Modesty panels enable full width, recessed or flush enclosure under Antenna desks, returns or bridge top applications and can also be planned for use with end panels. Modesty panels are suspended from the desktop and available in half height or full height versions. In both heights, modesty panels can be specified with or without a 1 1/4" high cord passage at the top to enable wire management or clamp-on accessories like Sapper monitor arms or desktop outlet center.

Half height modesty panels for desks start 10 1/2" above the floor, aligning with suspended files. Both modesty heights typically correspond in width to desk tops and are available in 6" wide increments from 36" to 84". Modesty panels include two or three brackets to the underside of a desktop and offset brackets to secure the inside of the panel to the back of Antenna desk and legs. Offset brackets define a 3/4" space between the inside of the panel and the back edge of the desk end legs.

When planning a desk with a modesty panel that is flush with the front edge of the top, specify standard depth desk end legs, actual depth is 3" less than the top depth. Modesty panels without a cord passage that are flush with the front edge of a desk top should not be planned in combination with Overlay tops.

When planning a modesty panel that is recessed 3" or 6" from the front edge of the top, specify legs that correspond to a top that is 3" or 6" less deep, actual leg depth is 6" or 9" less than the top depth. For example, a desk top 30" deep can be specified with 24" or 21" deep standard desk end leg to enable the modesty panel to be recessed 3" or 6" from the front edge of the top.

Modesty panels are not designed to be used in combination with table desk end legs.

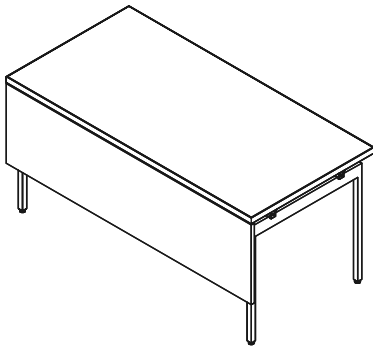
Modesty panel brackets do not deface the legs and may be added or removed without disassembling the desk.

Construction

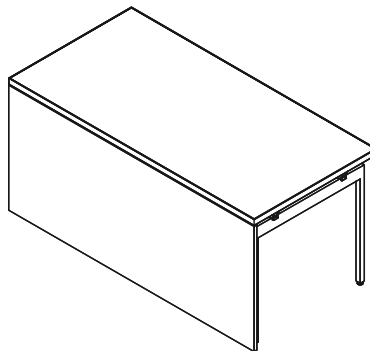
Modesty panels are 3/4" thick veneer, laminate or painted wood and include steel and cast aluminum brackets.

Specification Options

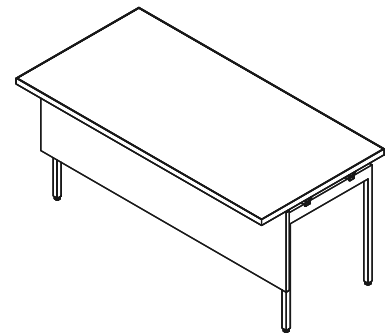
Specify modesty panels in any Knoll Core paint finish, solid and pattern laminate or veneer. Brushed Sand (122) and Brushed Grey (123) are not available on modesty panels. Specify bracket color in any Knoll Core paint finish.



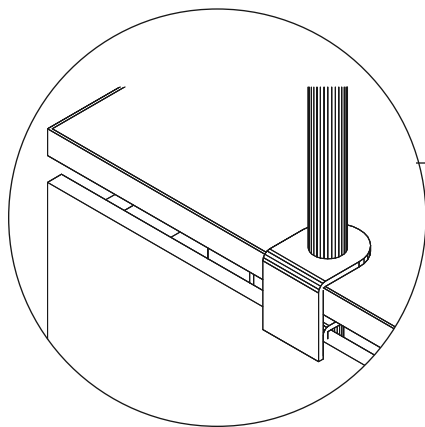
Desk with Partial Height Modesty Panel



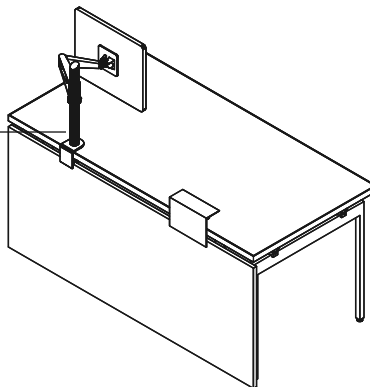
Desk with Full Height Modesty Panel



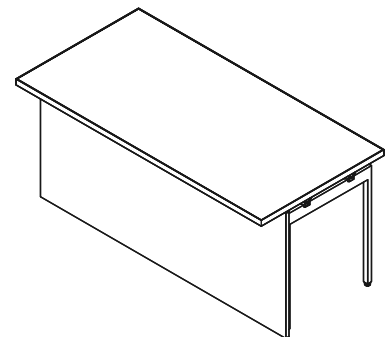
Desk with Recessed Partial Height Modesty Panel



Sapper Monitor Arm Desk Clamp with Modesty Panel Cord Passage

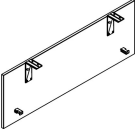


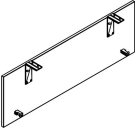
Desk with Full Height Modesty Panel with Cord Passage



Desk with Recessed Full Height Modesty Panel

Modesty Panels for Desks or Returns
Half Height
Painted, Laminate or Veneer

description	type	w	d	h	pattern no.	Painted (P)	Laminate (L)	V1 (V)	V2 (V)	V3 (V)
Modesty Panels for Desks or Returns, Half Height 	For 36" Wide Tops	36"	3/4"	16 7/8"	YMP1736()	\$260.	\$284.	\$621.	\$714.	\$928.
	For 42" Wide Tops	42"	3/4"	16 7/8"	YMP1742()	267.	290.	641.	736.	959.
	For 48" Wide Tops	48"	3/4"	16 7/8"	YMP1748()	272.	312.	665.	766.	996.
	For 54" Wide Tops	54"	3/4"	16 7/8"	YMP1754()	278.	319.	690.	794.	1,032.
	For 60" Wide Tops	60"	3/4"	16 7/8"	YMP1760()	327.	408.	741.	851.	1,106.
	For 66" Wide Tops	66"	3/4"	16 7/8"	YMP1766()	368.	449.	760.	874.	1,137.
	For 72" Wide Tops	72"	3/4"	16 7/8"	YMP1772()	373.	455.	781.	898.	1,168.
	For 78" Wide Tops	78"	3/4"	16 7/8"	YMP1778()	379.	460.	810.	932.	1,212.
	For 84" Wide Tops	84"	3/4"	16 7/8"	YMP1784()	384.	466.	830.	956.	1,241.

Modesty Panels for Desks or Returns, Half Height with Cord Passage 	For 36" Wide Tops	36"	3/4"	15 7/8"	YMP1636()	260.	284.	621.	714.	928.
	For 42" Wide Tops	42"	3/4"	15 7/8"	YMP1642()	267.	290.	641.	736.	959.
	For 48" Wide Tops	48"	3/4"	15 7/8"	YMP1648()	272.	312.	665.	766.	996.
	For 54" Wide Tops	54"	3/4"	15 7/8"	YMP1654()	278.	319.	690.	794.	1,032.
	For 60" Wide Tops	60"	3/4"	15 7/8"	YMP1660()	327.	408.	741.	851.	1,106.
	For 66" Wide Tops	66"	3/4"	15 7/8"	YMP1666()	368.	449.	760.	874.	1,137.
	For 72" Wide Tops	72"	3/4"	15 7/8"	YMP1672()	373.	455.	782.	898.	1,168.
	For 78" Wide Tops	78"	3/4"	15 7/8"	YMP1678()	379.	460.	810.	932.	1,212.
	For 84" Wide Tops	84"	3/4"	15 7/8"	YMP1684()	384.	466.	830.	956.	1,241.

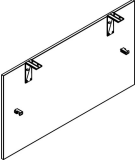
Ordering Information	Order Code	Included With	Options
Modesty Panels for Desks or Returns 1. Pattern Number 2. Surface Finish 3. Bracket Paint Finish	Modesty Panels for Desks or Returns <i>Example:</i> YMP1748P, 118T, 118T YMP Modesty Panel 17 Height 48 Width P Paint 118T Bright White Paint 118T Bright White Paint	Modesty Panels for Desks or Returns Attachment brackets Hardware	Modesty Panels for Desks or Returns Finish Options: (P) = Painted (L) = Laminate (V) = Veneer

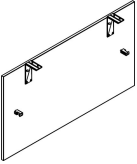
Modesty Panels for Desks or Returns

Antenna Workspaces

Full Height

Painted, Laminate or Veneer

description	type	w	d	h	pattern no.	Painted (P)	Laminate (L)	V1 (V)	V2 (V)	V3 (V)
Modesty Panels for Desks or Returns, Full Height 	For 36" Wide Tops	36"	3/4"	26 1/2"	YMP2736()	\$280.	\$352.	\$693.	\$798.	\$1,037.
	For 42" Wide Tops	42"	3/4"	26 1/2"	YMP2742()	289.	363.	723.	831.	1,080.
	For 48" Wide Tops	48"	3/4"	26 1/2"	YMP2748()	299.	370.	760.	876.	1,138.
	For 54" Wide Tops	54"	3/4"	26 1/2"	YMP2754()	307.	377.	790.	909.	1,182.
	For 60" Wide Tops	60"	3/4"	26 1/2"	YMP2760()	361.	510.	857.	988.	1,283.
	For 66" Wide Tops	66"	3/4"	26 1/2"	YMP2766()	404.	554.	889.	1,023.	1,329.
	For 72" Wide Tops	72"	3/4"	26 1/2"	YMP2772()	413.	562.	918.	1,056.	1,372.
	For 78" Wide Tops	78"	3/4"	26 1/2"	YMP2778()	422.	571.	957.	1,099.	1,430.
	For 84" Wide Tops	84"	3/4"	26 1/2"	YMP2784()	431.	579.	986.	1,133.	1,473.

Modesty Panels for Desks or Returns, Full Height with Cord Passage 	For 36" Wide Tops	36"	3/4"	26 1/2"	YMP2636()	280.	352.	693.	798.	1,037.
	For 42" Wide Tops	42"	3/4"	26 1/2"	YMP2642()	289.	363.	723.	831.	1,080.
	For 48" Wide Tops	48"	3/4"	26 1/2"	YMP2648()	299.	370.	760.	876.	1,138.
	For 54" Wide Tops	54"	3/4"	26 1/2"	YMP2654()	307.	377.	790.	909.	1,182.
	For 60" Wide Tops	60"	3/4"	26 1/2"	YMP2660()	361.	510.	857.	988.	1,283.
	For 66" Wide Tops	66"	3/4"	26 1/2"	YMP2666()	404.	554.	889.	1,023.	1,329.
	For 72" Wide Tops	72"	3/4"	26 1/2"	YMP2672()	413.	562.	918.	1,056.	1,372.
	For 78" Wide Tops	78"	3/4"	26 1/2"	YMP2678()	422.	571.	957.	1,099.	1,430.
	For 84" Wide Tops	84"	3/4"	26 1/2"	YMP2684()	431.	579.	986.	1,133.	1,473.

Desk and Table Support

Ordering Information	Order Code	Included With	Options
Modesty Panels for Desks or Returns 1. Pattern Number 2. Surface Finish 3. Bracket Paint Finish	Modesty Panels for Desks or Returns <i>Example:</i> YMP2748P, 118T, 118T YMP Modesty Panel 27 Height 48 Width P Paint 118T Bright White Paint 118T Bright White Paint	Modesty Panels for Desks or Returns Attachment brackets Hardware	Modesty Panels for Desks or Returns Finish Options: (P) = Painted (L) = Laminate (V) = Veneer

Back Panels for Single Sided Big Tables

Planning Guidelines and Specifications

Back panels provide full enclosure on the back side of a single sided big table, from the underside of the top to within an inch above the floor. Back panels are available in 6" increments of width from 48" to 84" and should be specified in the same width as the top above.

Back panels can be planned with or without single sided big table end panels.

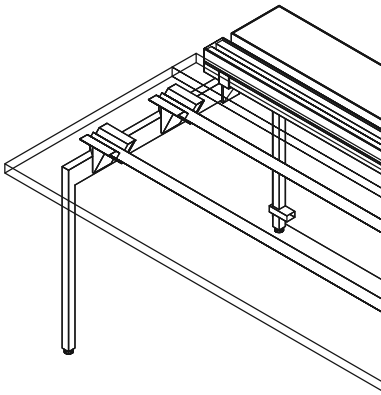
Back panel brackets do not deface the legs and may be added or removed without disassembling the big table.

Construction

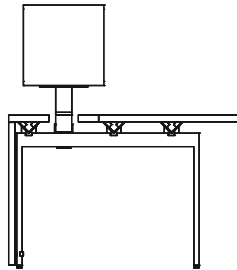
Back panels are 3/4" thick veneer, laminate or painted wood. Back panels include two or three top attachment brackets and brackets that secure the bottom of the back panel to the back of the big table end or intermediate legs. Brackets are steel and cast aluminum.

Specification Options

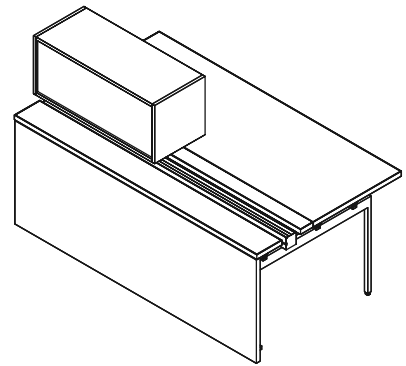
Specify back panels in any Knoll Core paint finish, solid and pattern laminate or veneer. Brushed Sand (122) and Brushed Grey (123) are not available on back panels. Specify bracket



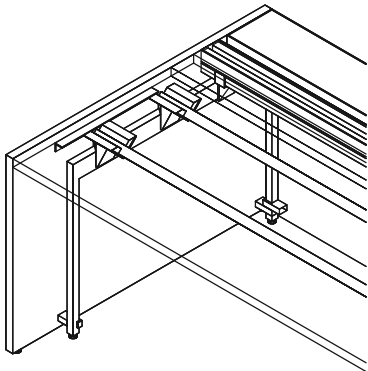
Single Sided Big Table with Back Panel



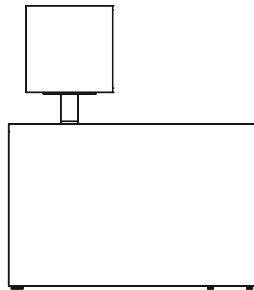
Single Sided Big Table with Back Panel End Elevation



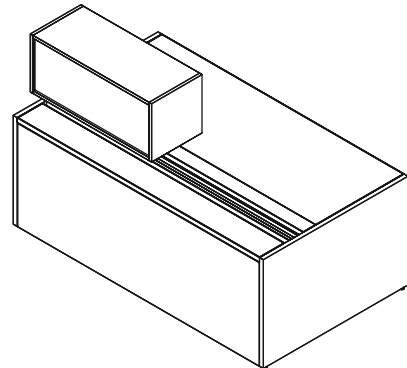
Single Sided Big Table with Back Panel



Single Sided Big Table with Back Panel and End Panel



Single Sided Big Table with Back Panel and End Panel End Elevation



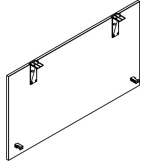
Single Sided Big Table with Back Panel and End Panel End Elevation

Back Panels for Single Sided Big Tables

Full Performance

Painted, Laminate or Veneer

description	type	w	d	h	pattern no.	Painted (P)	Laminate (L)	V1 (V)	V2 (V)	V3 (V)
Back Panels for Single Sided Big Table, Full Performance	For 48" Wide Tops	48"	3/4"	27"	YBPSSF2748()	\$299.	\$370.	\$760.	\$876.	\$1,138.
	For 54" Wide Tops	54"	3/4"	27"	YBPSSF2754()	307.	377.	790.	909.	1,182.
	For 60" Wide Tops	60"	3/4"	27"	YBPSSF2760()	361.	510.	857.	988.	1,283.
	For 66" Wide Tops	66"	3/4"	27"	YBPSSF2766()	404.	554.	889.	1,023.	1,329.
	For 72" Wide Tops	72"	3/4"	27"	YBPSSF2772()	413.	562.	918.	1,056.	1,373.
	For 78" Wide Tops	78"	3/4"	27"	YBPSSF2778()	422.	571.	957.	1,099.	1,430.
	For 84" Wide Tops	84"	3/4"	27"	YBPSSF2784()	431.	579.	986.	1,133.	1,473.



Ordering Information

Back Panels for Single Sided Big Tables

1. Pattern Number
2. Surface Finish
3. Bracket Paint Finish

Order Code

Back Panels for Single Sided Tables

Example: **YBPSSF2748P, 118T, 118T**

YBP	Back Panel
SS	Single Sided Big Table
F	Full Performance
27	Height
48	Width
P	Paint
118T	Bright White Paint
118T	Bright White Paint

Included With

Back Panels for Single Sided Big Tables

Attachment brackets
Hardware

Options

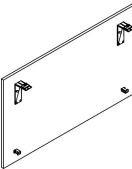
Back Panels for Single Sided Big Tables

Finish Options:
(P) = Painted
(L) = Laminate
(V) = Veneer

Back Panels for Single Sided Big Tables

Basic

Painted, Laminate or Veneer

description	type	w	d	h	pattern no.	Painted (P)	Laminate (L)	V1 (V)	V2 (V)	V3 (V)
	For 48" Wide Tops	48"	3/4"	27"	YBPSSB2748()	\$299.	\$370.	\$760.	\$876.	\$1,138.
	For 54" Wide Tops	54"	3/4"	27"	YBPSSB2754()	307.	377.	790.	909.	1,182.
	For 60" Wide Tops	60"	3/4"	27"	YBPSSB2760()	361.	510.	857.	988.	1,283.
	For 66" Wide Tops	66"	3/4"	27"	YBPSSB2766()	404.	554.	889.	1,023.	1,329.
	For 72" Wide Tops	72"	3/4"	27"	YBPSSB2772()	413.	562.	918.	1,056.	1,373.
	For 78" Wide Tops	78"	3/4"	27"	YBPSSB2778()	422.	571.	957.	1,099.	1,430.
	For 84" Wide Tops	84"	3/4"	27"	YBPSSB2784()	431.	579.	986.	1,133.	1,473.

Ordering Information

Back Panels for Single Sided Big Tables

1. Pattern Number
2. Surface Finish
3. Bracket Paint Finish

Order Code

Back Panels for Single Sided Tables

Example: **YBPSSB2748P, 118T, 118T**

YBP	Back Panel
SS	Single Sided Big Table
B	Basic
27	Height
48	Width
P	Paint
118T	Bright White Paint
118T	Bright White Paint

Included With

Back Panels for Single Sided Big Tables

Attachment brackets
Hardware

Options

Back Panels for Single Sided Big Tables

Finish Options:
(P) = Painted
(L) = Laminate
(V) = Veneer

End Panels

For Desks or Returns

Planning Guidelines and Specifications

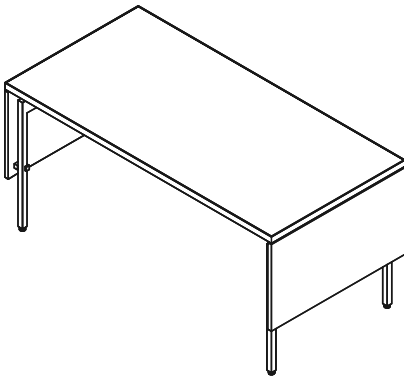
End panels for desks can be planned with modesty panels or independently to add enclosure below Antenna desk tops. End panels are added outside the standard Antenna desk structure and do not touch the floor. End panels are available in half height or full height versions.

END PANELS DO NOT TAKE THE PLACE OF END LEGS OR PROVIDE SUPPORT.

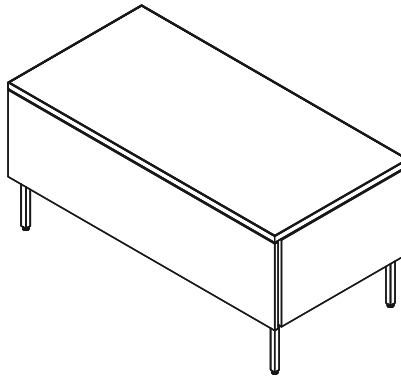
Half height versions start 10" above the floor, aligning with suspended files. In both heights, end panels can be specified with or without a 1 1/4" high cord passage at the top to enable wire management or clamp-on accessories like Sapper monitor arms or desktop power center.

End panels used independently, without a modesty panel, are full depth to match desk tops 18", 24", 27", 30" or 36" deep.

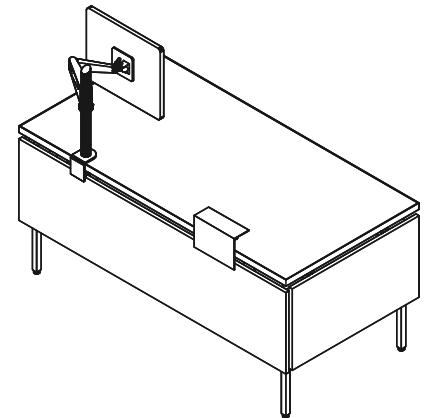
End panels for Antenna desks with modesty enclose the end of a desk in combination with a modesty panel. End panels for use in combination with an overlapping modesty panel are 1 1/2" less deep than the standard top depth. End panels are designed to be flush with the end and front edge of a desk top and align with the back edge of the desk end leg.



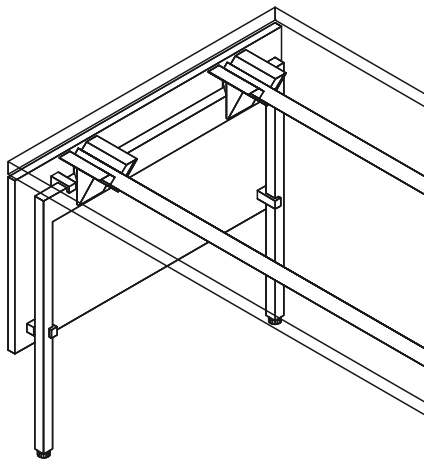
Desk with Partial Height End Panel



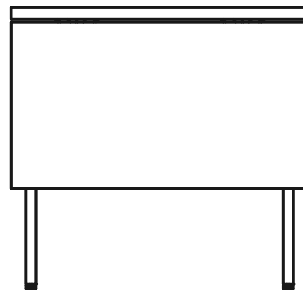
Desk with Partial Height End and Modesty Panel



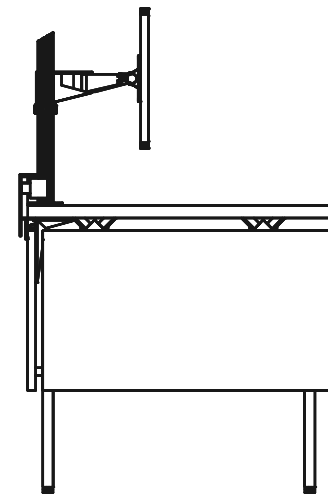
Desk with Partial Height End and Modesty Panel with Cord Passage



Desk with Partial Height End Panel



Desk with Partial Height End Panel Elevation



Desk with Partial Height End and Modesty Panel with Cord Passage Elevation

End Panels

For Desks or Returns

Planning Guidelines and Specifications

End panels include two brackets over the top of an adjacent end leg and offset brackets to secure the inside of the panel to the side of the leg. Offset brackets define a 3/4" space between the end panel and the side of the desk end legs. When installed together there is a 3/4" reveal between the end panel and the inside of the modesty. End panels require a standard desk end leg positioned 1 1/2" from end of desk top for support.

Because of crisp edge details, desk end panels should not be planned in combination with radius corner Overlay tops, but can be planned with crisp corner "Benching" type Overlay tops.

End panels are not designed to be used in combination with table desk end legs.

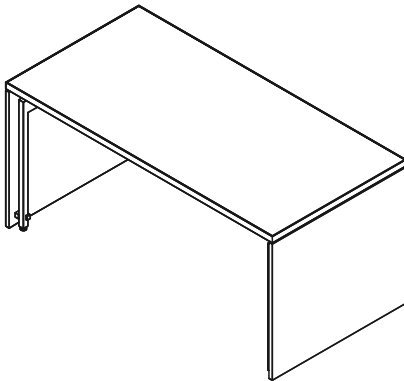
End panel brackets do not deface the legs and may be added or removed without disassembling the desk.

Construction

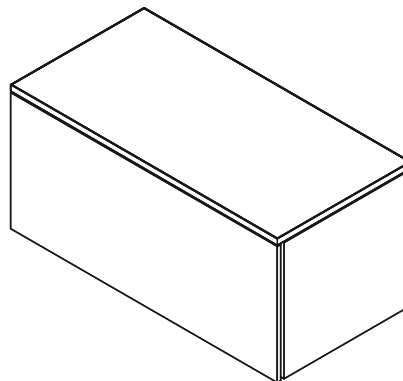
End panels are 3/4" thick veneer, laminate, or painted wood and include steel and cast aluminum brackets.

Specification Options

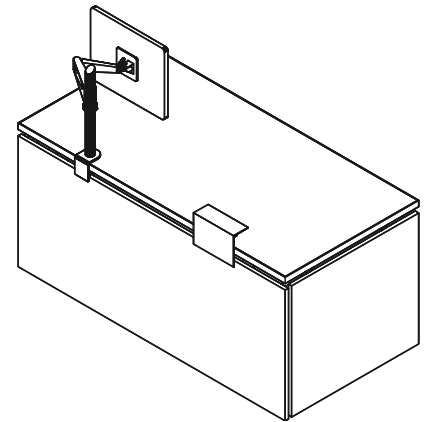
Specify end panels in any Knoll Core paint finish, solid and pattern laminate or veneer. Brushed Sand (122) and Brushed Grey (123) are not available on end panels 60" and wider. Also, specify bracket color in any Knoll Core paint finish.



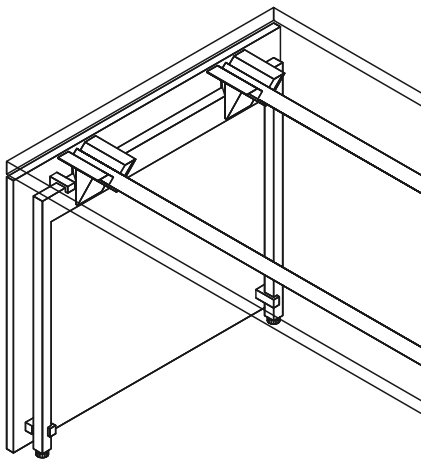
Desk with Full Height End Panel



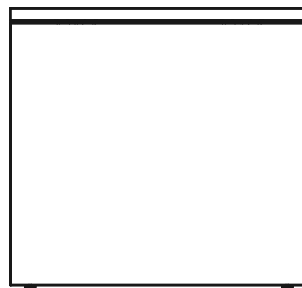
Desk with Full Height End and Modesty Panel



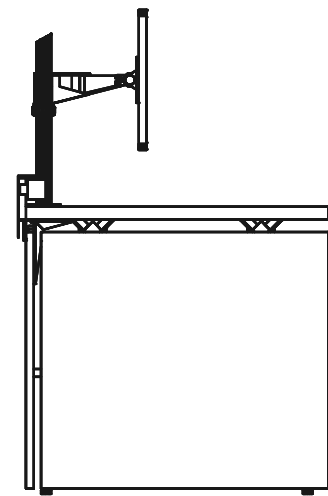
Desk with Full Height End and Modesty Panel with Cord Passage



Desk with Full Height End Panel



Desk with Full Height End Panel Elevation

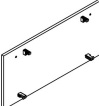


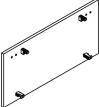
Desk with Full Height End and Modesty Panel with Cord Passage Elevation

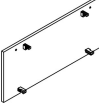
End Panels

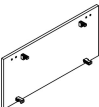
Half Height for Desks or Returns

Painted, Laminate or Veneer

description	type	w	d	h	pattern no.	Painted (P)	Laminate (L)	V1 (V)	V2 (V)	V3 (V)
 End Panels for Desks or Returns, Half Height	For 18" Deep Tops	18"	3/4"	16 7/8"	YEP1718()	\$186.	\$183.	\$545.	\$626.	\$815.
	For 24" Deep Tops	24"	3/4"	16 7/8"	YEP1724()	193.	194.	574.	660.	857.
	For 27" Deep Tops	27"	3/4"	16 7/8"	YEP1727()	196.	197.	591.	680.	884.
	For 30" Deep Tops	30"	3/4"	16 7/8"	YEP1730()	199.	213.	599.	689.	896.
	For 36" Deep Tops	36"	3/4"	16 7/8"	YEP1736()	205.	228.	620.	713.	926.

 End Panels for Desks or Returns, Half Height for use with Modesty Panels	For 18" Deep Tops	16 1/2"	3/4"	16 7/8"	YEP1717()	186.	183.	552.	634.	825.
	For 24" Deep Tops	22 1/2"	3/4"	16 7/8"	YEP1723()	193.	194.	572.	658.	854.
	For 27" Deep Tops	25 1/2"	3/4"	16 7/8"	YEP1726()	197.	198.	592.	681.	885.
	For 30" Deep Tops	28 1/2"	3/4"	16 7/8"	YEP1729()	199.	200.	606.	696.	908.
	For 36" Deep Tops	34 1/2"	3/4"	16 7/8"	YEP1735()	205.	228.	626.	720.	936.

 End Panels for Desks or Returns, Half Height with Cord Passage	For 18" Deep Tops	18"	3/4"	15 7/8"	YEP1618()	186.	183.	545.	626.	815.
	For 24" Deep Tops	24"	3/4"	15 7/8"	YEP1624()	193.	194.	574.	660.	857.
	For 27" Deep Tops	27"	3/4"	15 7/8"	YEP1627()	196.	197.	591.	680.	884.
	For 30" Deep Tops	30"	3/4"	15 7/8"	YEP1630()	199.	213.	599.	689.	896.
	For 36" Deep Tops	36"	3/4"	15 7/8"	YEP1636()	205.	228.	620.	713.	926.

 End Panels for Desks or Returns, Half Height with Modesty Panels	For 18" Deep Tops	16 1/2"	3/4"	15 7/8"	YEP1617()	186.	183.	552.	634.	825.
	For 24" Deep Tops	22 1/2"	3/4"	15 7/8"	YEP1623()	193.	194.	572.	658.	854.
	For 27" Deep Tops	25 1/2"	3/4"	15 7/8"	YEP1626()	197.	198.	592.	681.	885.
	For 30" Deep Tops	28 1/2"	3/4"	15 7/8"	YEP1629()	199.	200.	606.	696.	908.
	For 36" Deep Tops	34 1/2"	3/4"	15 7/8"	YEP1635()	205.	228.	626.	720.	936.

Ordering Information

End Panels for Desks or Returns

1. Pattern Number
2. Surface Finish
3. Bracket Paint Finish

Order Code

End Panels for Desks or Returns

Example: **YEP1724P, 118T, 118T**

YEP	End Panel
17	Height
24	Width
P	Paint
118T	Bright White Paint
118T	Bright White Paint

Included With

End Panels for Desks or Returns
Attachment brackets
Hardware

Options

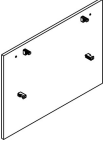
End Panels for Desks or Returns

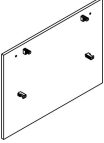
Finish Options:
(P) = Painted
(L) = Laminate
(V) = Veneer

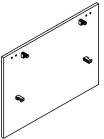
End Panels

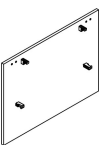
Full Height for Desks or Returns

Painted, Laminate or Veneer

description	type	w	d	h	pattern no.	Painted (P)	Laminate (L)	V1 (V)	V2 (V)	V3 (V)
End Panels for Desks or Returns, Full Height 	For 18" Deep Tops	18"	3/4"	26 1/2"	YEP2718()	\$197.	\$211.	\$584.	\$673.	\$874.
	For 24" Deep Tops	24"	3/4"	26 1/2"	YEP2724()	206.	227.	623.	717.	933.
	For 27" Deep Tops	27"	3/4"	26 1/2"	YEP2727()	210.	231.	637.	732.	955.
	For 30" Deep Tops	30"	3/4"	26 7/8"	YEP2730()	214.	253.	663.	762.	993.
	For 36" Deep Tops	36"	3/4"	26 1/2"	YEP2736()	224.	261.	691.	797.	1,035.

End Panels for Desks or Returns, Full Height for use with Modesty Panels 	For 18" Deep Tops	16 1/2"	3/4"	26 1/2"	YEP2717()	197.	211.	590.	679.	881.
	For 24" Deep Tops	22 1/2"	3/4"	26 1/2"	YEP2723()	206.	219.	619.	712.	925.
	For 27" Deep Tops	25 1/2"	3/4"	26 1/2"	YEP2726()	210.	231.	643.	741.	963.
	For 30" Deep Tops	28 1/2"	3/4"	26 1/2"	YEP2729()	214.	236.	658.	756.	984.
	For 36" Deep Tops	34 1/2"	3/4"	26 1/2"	YEP2735()	224.	281.	689.	793.	1,030.

End Panels for Desks or Returns, Full Height with Cord Passage 	For 18" Deep Tops	18"	3/4"	25 1/2"	YEP2618()	197.	211.	584.	673.	874.
	For 24" Deep Tops	24"	3/4"	25 1/2"	YEP2624()	206.	227.	623.	717.	933.
	For 27" Deep Tops	27"	3/4"	25 1/2"	YEP2627()	210.	231.	637.	732.	955.
	For 30" Deep Tops	30"	3/4"	25 1/2"	YEP2630()	214.	253.	663.	762.	993.
	For 36" Deep Tops	36"	3/4"	25 1/2"	YEP2636()	224.	261.	695.	797.	1,035.

End Panels for Desks or Returns, Full Height with Cord Passage for use with Modesty Panels 	For 18" Deep Tops	16 1/2"	3/4"	25 1/2"	YEP2617()	197.	211.	590.	679.	881.
	For 24" Deep Tops	22 1/2"	3/4"	25 1/2"	YEP2623()	206.	219.	619.	712.	925.
	For 27" Deep Tops	25 1/2"	3/4"	25 1/2"	YEP2626()	210.	231.	643.	741.	963.
	For 29" Deep Tops	28 1/2"	3/4"	25 1/2"	YEP2629()	214.	236.	658.	756.	984.
	For 36" Deep Tops	34 1/2"	3/4"	25 1/2"	YEP2635()	224.	281.	689.	793.	1,030.

Ordering Information

End Panels for Desks or Returns

1. Pattern Number
2. Surface Finish
3. Bracket Paint Finish

Order Code

End Panels for Desks or Returns

Example: **YEP2724P, 118T, 118T**

YEP	End Panel
27	Height
24	Width
P	Paint
118T	Bright White Paint
118T	Bright White Paint

Included With

End Panels for Desks or Returns
Attachment brackets
Hardware

Options

End Panels for Desks or Returns

Finish Options:
(P) = Painted
(L) = Laminate
(V) = Veneer

End Panels

For Back to Back Desks

Planning Guidelines and Specifications

End panels are also available in widths to enclose the end of back-to-back desks, which sit below the front edges of both tops. End panels are added outside the standard Antenna desk structure and do not touch the floor.

END PANELS DO NOT TAKE THE PLACE OF END LEGS OR PROVIDE SUPPORT.

End panels are available in half height or full height versions. Half height versions start 10" above the floor, aligning with suspended files.

End panels are full depth to match back-to-back desks using 18", 24", 27", 30" or 36" deep tops. Overall depths equal 40", 52", 58" and 64".

End panels include two brackets over the top of an adjacent end leg and offset brackets to secure the inside of the panel to the side of the leg. Offset brackets define a 3/4" space between the end panel and the side of the desk end legs.

End panels require a standard back-to-back desk end leg positioned 1 1/2" from end of desk top for support.

Because of crisp edge details, desk end panels should not be planned in combination with radius corner Overlay tops, but can be planned with crisp corner "Benching" type Overlay tops.

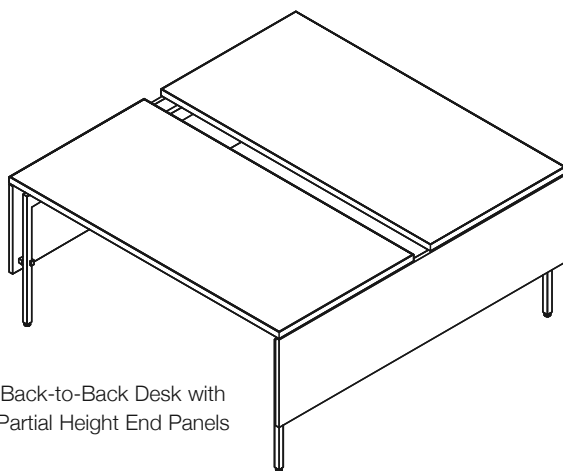
End panel brackets do not deface the legs and may be added or removed without disassembling the desk.

Construction

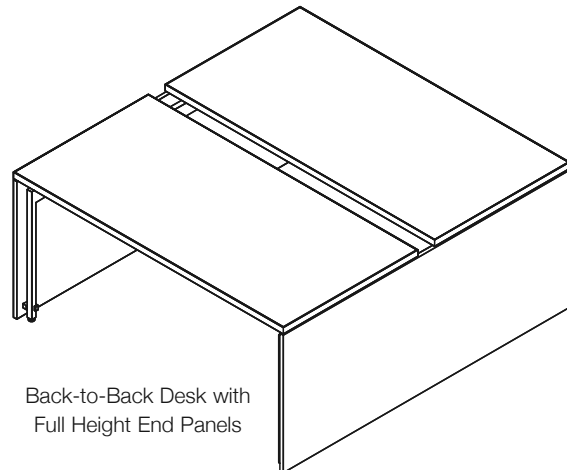
End panels are 3/4" thick veneer, laminate, or painted wood and include steel and cast aluminum brackets.

Specification Options

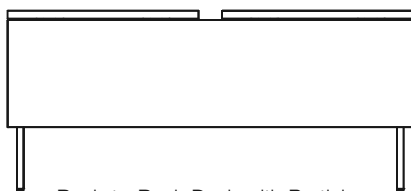
Specify end panels in any Knoll Core paint finish, solid and pattern laminate or veneer. Brushed Sand (122) and Brushed Grey (123) are not available on end panels 60" and wider. Also, specify bracket color in any Knoll Core paint finish.



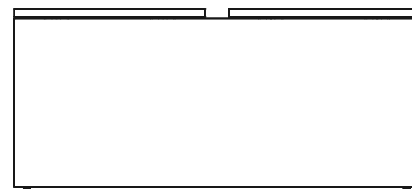
Back-to-Back Desk with Partial Height End Panels



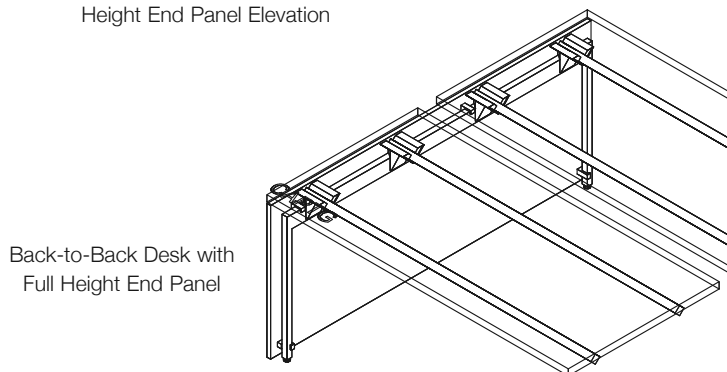
Back-to-Back Desk with Full Height End Panels



Back-to-Back Desk with Partial Height End Panel Elevation



Back-to-Back Desk with Full Height End Panel Elevation

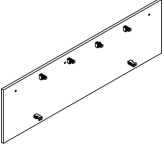


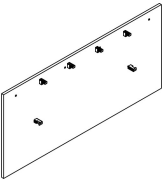
Back-to-Back Desk with Full Height End Panel

End Panels

For Back to Back Desks

Painted, Laminate or Veneer

description	type	w	d	h	pattern no.	Painted (P)	Laminate (L)	V1 (V)	V2 (V)	V3 (V)
End Panels for Back to Back Desks, Half Height 	For 18" Deep Back to Back Tops	39 ³ / ₄ "	³ / ₄ "	16 ⁷ / ₈ "	YEP1740()	\$267.	\$267.	\$646.	\$744.	\$966.
	For 24" Deep Back to Back Tops	51 ³ / ₄ "	³ / ₄ "	16 ⁷ / ₈ "	YEP1752()	278.	294.	693.	799.	1,038.
	For 27" Deep Back to Back Tops	57 ³ / ₄ "	³ / ₄ "	16 ⁷ / ₈ "	YEP1758()	283.	300.	715.	821.	1,068.
	For 30" Deep Back to Back Tops	63 ³ / ₄ "	³ / ₄ "	16 ⁷ / ₈ "	YEP1764()	289.	376.	763.	879.	1,142.
	For 36" Deep Back to Back Tops	75 ³ / ₄ "	³ / ₄ "	16 ⁷ / ₈ "	YEP1776()	301.	388.	803.	924.	1,199.

End Panels for Back to Back Desks, Full Height 	For 18" Deep Back to Back Tops	39 ³ / ₄ "	³ / ₄ "	25 ⁷ / ₈ "	YEP2640()	288.	321.	723.	831.	1,080.
	For 24" Deep Back to Back Tops	51 ³ / ₄ "	³ / ₄ "	25 ⁷ / ₈ "	YEP2652()	306.	351.	790.	911.	1,182.
	For 27" Deep Back to Back Tops	57 ³ / ₄ "	³ / ₄ "	25 ⁷ / ₈ "	YEP2658()	315.	363.	820.	942.	1,226.
	For 30" Deep Back to Back Tops	63 ³ / ₄ "	³ / ₄ "	25 ⁷ / ₈ "	YEP2664()	324.	389.	879.	1,010.	1,314.
	For 36" Deep Back to Back Tops	75 ³ / ₄ "	³ / ₄ "	25 ⁷ / ₈ "	YEP2676()	343.	494.	946.	1,089.	1,415.

Ordering Information

End Panels for Back to Back Desks

1. Pattern Number
2. Surface Finish
3. Bracket Paint Finish

Order Code

End Panels for Back to Back Desks

Example: **YEP1752P, 118T, 118T**

YEP	End Panel
17	Height
52	Width
P	Paint
118T	Bright White Paint
118T	Bright White Paint

Included With

End Panels for Back to Back Desks

Attachment brackets
Hardware

Options

End Panels for Back to Back Desks

Finish Options:
(P) = Painted
(L) = Laminate
(V) = Veneer

End Panels

For Dual Big Tables

Planning Guidelines and Specifications

End panels are also available in widths to enclose the end of dual and single sided big tables, which align with the end of the desk and the front edges of the tops. End panels are added outside the standard Antenna desk structure, which adds 2 1/2" to the overall width of the big table.

End panels do not take the place of end legs or provide table support.

End panels for big table enclose the end of a big table, from the floor up to the top of the desk tops and center beam. End panels do not take the place of end legs or provide support; they simply attach to the outside of big table end legs. End panels serve the same purpose as center beam end caps, so end caps do not need to be specified.

End panels are full depth to match dual sided big tables using 18", 24", 27", 30" or 36" deep tops on either side of a center beam. Single sided big tables include a full depth 18", 24", 27", 30" or 36" deep top on the primary side of the center beam and a 7 1/2" deep top on the back side of the center beam. End panels are available full depth to match the depth of single sided big tables. Big table end panels are 28 1/2" high, so the top of the end panel is flush with the desk top.

End panels include two leveling glides and brackets for attachment to the adjacent tops and big table end leg. An end panel uses two brackets for attachment over the top of an adjacent end leg and offset brackets to secure the inside of the panel to the side of the leg.

End panels require a standard big table end leg positioned 1 1/2" from end of desk top for support.

Because of crisp edge details, big end panels should not be planned in combination with radius corner Overlay tops, but can be planned with crisp corner "Benching" type Overlay tops.

End panel brackets do not deface the legs and may be added or removed without disassembling the desk.

Construction

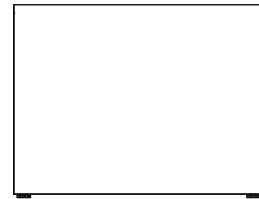
End panels are 1 1/8" thick veneer, laminate or painted wood and include steel and cast aluminum brackets.

Specification Options

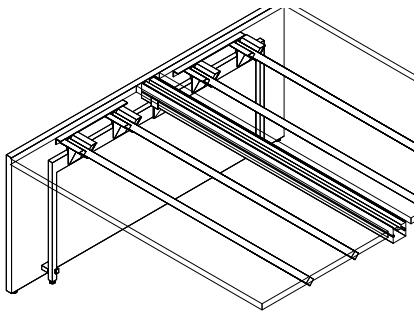
Specify end panels in any Knoll Core paint finish, solid and pattern laminate or veneer. Brushed Sand (122) and Brushed Grey (123) are not available on end panels 60" and wider. Also, specify brackets in any Knoll Core paint finish.



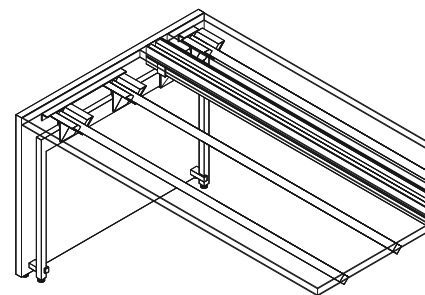
Dual Sided Big Table with End Panels Elevation



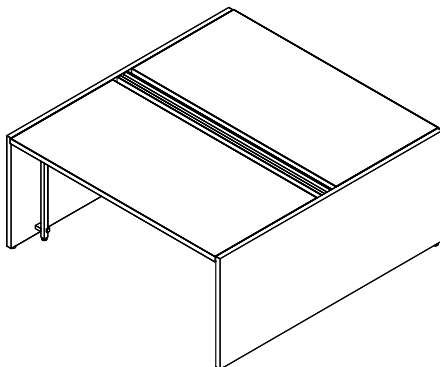
Single Sided Big Table with End Panels End Elevation



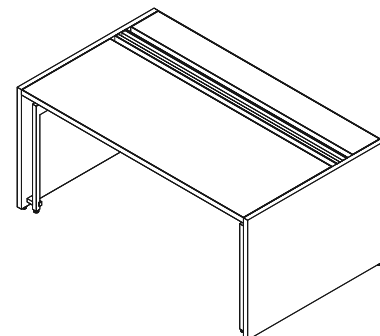
Dual Sided Big Table with End Panels Detail



Single Sided Big Table with End Panels Detail



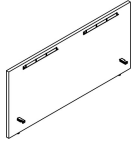
Dual Sided Big Table with End Panels



Single Sided Big Table with End Panels

End Panels
For Dual Big Tables
Painted, Laminate or Veneer

description	type	w	d	h	pattern no.	Painted (P)	Laminate (L)	V1 (V)	V2 (V)	V3 (V)
End Panels for Dual Sided Big Tables, Full Height	For 18"D Dual Sided Big Tables	41 1/2"	1 1/8"	28 1/2"	YEP2841	\$386.	\$389.	\$747.	\$857.	\$1,115.
	For 24"D Dual Sided Big Tables	53 1/2"	1 1/8"	28 1/2"	YEP2853	437.	445.	876.	1,006.	1,308.
	For 27"D Dual Sided Big Tables	59 1/2"	1 1/8"	28 1/2"	YEP2859	454.	477.	909.	1,044.	1,357.
	For 30"D Dual Sided Big Tables	65 1/2"	1 1/8"	28 1/2"	YEP2865	471.	489.	954.	1,095.	1,423.
	For 36"D Dual Sided Big Tables	77 1/2"	1 1/8"	28 1/2"	YEP2877	507.	611.	975.	1,123.	1,515.



Ordering Information

End Panels For Big Tables

1. Pattern Number
2. Surface Finish
3. Bracket Finish

Order Code

End Panels For Big Tables

Example: **YEP2853P, 118T, 118T**

YEP End Panel

28 Height

53 Width

118T Bright White Paint

118T Bright White Paint

Included With

End Panels For Big Tables

Attachment brackets
 Hardware

Options

End Panels For Big Tables

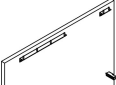
Finish Options:

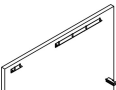
- (P) = Painted
- (L) = Laminate
- (V) = Veneer

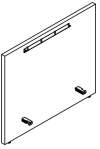
End Panels

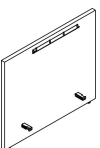
For Single Sided Big Tables

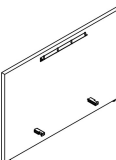
Painted, Laminate or Veneer

description	type	w	d	h	pattern no.	Painted (P)	Laminate (L)	V1 (V)	V2 (V)	V3 (V)
 End Panels for Single Sided Big Tables, Full Performance, Left Hand	For 18"D Single Sided Big Tables	31"	1 1/8"	28 1/2"	YEPSSF2831L	\$365.	\$368.	\$720.	\$829.	\$1,078.
	For 24"D Single Sided Big Tables	37"	1 1/8"	28 1/2"	YEPSSF2837L	381.	388.	755.	868.	1,128.
	For 27"D Single Sided Big Tables	40"	1 1/8"	28 1/2"	YEPSSF2840L	388.	394.	771.	887.	1,152.
	For 30"D Single Sided Big Tables	43"	1 1/8"	28 1/2"	YEPSSF2843L	397.	399.	789.	907.	1,179.
	For 36"D Single Sided Big Tables	49"	1 1/8"	28 1/2"	YEPSSF2849L	414.	427.	833.	959.	1,244.

 End Panels for Single Sided Big Tables, Full Performance, Right Hand	For 18"D Single Sided Big Tables	31"	1 1/8"	28 1/2"	YEPSSF2831R	365.	368.	720.	829.	1,078.
	For 24"D Single Sided Big Tables	37"	1 1/8"	28 1/2"	YEPSSF2837R	381.	388.	755.	868.	1,128.
	For 27"D Single Sided Big Tables	40"	1 1/8"	28 1/2"	YEPSSF2840R	388.	394.	771.	887.	1,152.
	For 30"D Single Sided Big Tables	43"	1 1/8"	28 1/2"	YEPSSF2843R	397.	399.	789.	908.	1,179.
	For 36"D Single Sided Big Tables	49"	1 1/8"	28 1/2"	YEPSSF2849R	414.	427.	833.	959.	1,244.

 End Panels for Single Sided Big Tables, Basic, Left Hand	For 18"D Single Sided Big Tables	24 1/4"	1 1/8"	28 1/2"	YEP2SSB2825L	446.	437.	803.	868.	1,175.
	For 24"D Single Sided Big Tables	30 1/4"	1 1/8"	28 1/2"	YEP2SSB2831L	375.	361.	802.	876.	1,241.
	For 27"D Single Sided Big Tables	33 1/4"	1 1/8"	28 1/2"	YEP2SSB2834L	384.	367.	816.	894.	1,291.
	For 30"D Single Sided Big Tables	36 1/4"	1 1/8"	28 1/2"	YEP2SSB2837L	394.	380.	832.	914.	1,340.

 End Panels for Single Sided Big Tables, Basic, Right Hand	For 18"D Single Sided Big Tables	24 1/4"	1 1/8"	28 1/2"	YEP2SSB2825R	446.	437.	803.	868.	1,175.
	For 24"D Single Sided Big Tables	30 1/4"	1 1/8"	28 1/2"	YEP2SSB2831R	375.	361.	802.	876.	1,241.
	For 27"D Single Sided Big Tables	33 1/4"	1 1/8"	28 1/2"	YEP2SSB2834R	384.	367.	816.	894.	1,291.
	For 30"D Single Sided Big Tables	36 1/4"	1 1/8"	28 1/2"	YEP2SSB2837R	394.	380.	832.	914.	1,340.

 End Panels for Single Sided Big Tables, Basic, Non-handed	For 36"D Single Sided Big Tables	42 1/4"	1 1/8"	28 1/2"	YEP2SSB2843	414.	415.	860.	952.	1,439.
---	----------------------------------	---------	--------	---------	--------------------	------	------	------	------	--------

Desk and Table Support

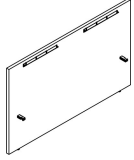
Ordering Information	Order Code	Included With	Options
End Panels For Big Tables 1. Pattern Number 2. Surface Finish 3. Bracket Finish	End Panels For Big Tables <i>Example:</i> YEP2853P, 118T, 118T YEP End Panel 28 Height 53 Width 118T Bright White Paint 118T Bright White Paint	End Panels For Big Tables Attachment brackets Hardware	End Panels For Big Tables Finish Options: (P) = Painted (L) = Laminate (V) = Veneer

End Panels

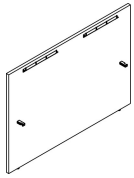
For Standing Height Dual Big Tables

Laminate or Veneer

description	type	w	d	h	pattern no.	Painted (P)	Laminate (L)	V1 (V)	V2 (V)	V3 (V)
End Panels for Standing Height Dual Sided Big Tables 36"H	For 18"D Dual Sided Big Tables	41 1/2"	1 1/8"	36 1/2"	YEPH3641	\$484.	\$521.	\$970.	\$1,079.	\$1,662.
	For 24"D Dual Sided Big Tables	53 1/2"	1 1/8"	36 1/2"	YEPH3653	536.	560.	1,045.	1,178.	1,909.
	For 27"D Dual Sided Big Tables	59 1/2"	1 1/8"	36 1/2"	YEPH3659	559.	721.	1,136.	1,280.	2,086.
	For 30"D Dual Sided Big Tables	65 1/2"	1 1/8"	36 1/2"	YEPH3665	585.	737.	1,173.	1,329.	2,209.



End Panels for Standing Height Dual Sided Big Tables 42"H	For 24"D Dual Sided Big Tables	53 1/2"	1 1/8"	42"	YEPT4253	571.	661.	1,148.	1,299.	2,129.
	For 27"D Dual Sided Big Tables	59 1/2"	1 1/8"	42"	YEPT4259	598.	746.	1,190.	1,352.	2,270.
	For 30"D Dual Sided Big Tables	65 1/2"	1 1/8"	42"	YEPT4265	628.	762.	1,243.	1,421.	2,421.



Ordering Information

End Panels For Big Tables

1. Pattern Number
2. Surface Finish
3. Bracket Finish

Order Code

End Panels For Big Tables

Example: **YEP2853P, 118T, 118T**

YEP End Panel

28 Height

53 Width

118T Bright White Paint

118T Bright White Paint

Included With

End Panels For Big Tables

Attachment brackets
Hardware

Options

End Panels For Big Tables

Finish Options:

(P) = Painted
(L) = Laminate
(V) = Veneer

Enclave End Panels

For Dual Sided Big Tables

Planning Guidelines and Specifications

Enclave end panels enclose the end of dual sided big tables from the floor to a 42" or 49" horizon to align with center screens, or 56"h, tall enough to enclose the back of a large TV.

End panels do not take the place of end legs or provide table support.

Video displays cannot be mounted directly to Antenna Screens, Interpole Screens or Media Enclave End Panels.

Center beam end cap is not required.

End panels are full depth to match dual sided big tables with 18", 24", 27", 30" or 36" deep tops on either side of a center beam.

End panels include two leveling glides and brackets for attachment to the adjacent tops and fixed height big table end leg.

End panels require a standard big table end leg positioned 1 1/2" from end of desk top for support.

Enclave end panels can be planned in combination with standard Antenna or Overlay tops.

End panel brackets do not deface the legs and may be added or removed without disassembling the desk.

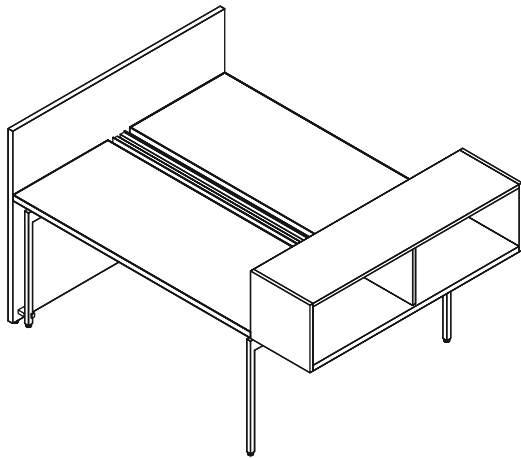
Construction

End panels are 1 1/8" thick laminate or veneer and include steel brackets to the tops and cast aluminum brackets to the leg.

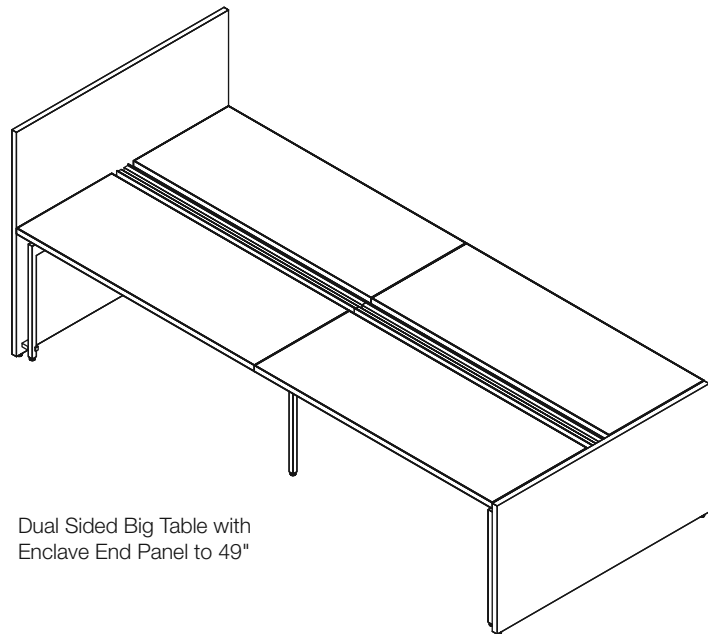
Veneer end panels 48" and taller are in two pieces with centered vertical seam and additional steel stiffener bracket.

Specification Options

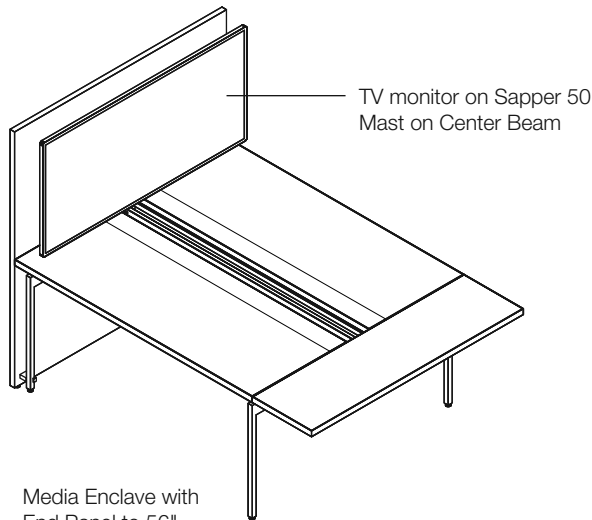
Specify end panels in any Knoll Core, solid and pattern laminate or veneer. Brushed Sand (122) and Brushed Grey (123) are not available on end panels 60" and wider. Specify brackets in any Knoll Core paint finish.



Dual Sided Big Table with Enclave End Panel to 42"



Dual Sided Big Table with Enclave End Panel to 49"



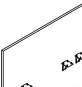
Media Enclave with End Panel to 56"

TV monitor on Sapper 50 Mast on Center Beam


Enclave End Panels

For Dual Sided Big Tables

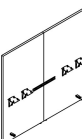
Laminate or Veneer

description	type	w	d	h	pattern no.	Laminate		V1 (V)	V2 (V)	V3 (V)
						(L)	(LM)			
	For 24" D Dual Sided Big Table	53 1/2"	1 1/8"	42"	YEP4253()	\$836.	\$836.	\$1,060.	\$1,218.	\$2,070.
	For 27" D Dual Sided Big Table	59 1/2"	1 1/8"	42"	YEP4259()	1,339.	1,339.	1,497.	1,722.	2,928.
	For 30" D Dual Sided Big Table	65 1/2"	1 1/8"	42"	YEP4265()	1,361.	1,361.	1,524.	1,753.	2,980.
	For 36" D Dual Sided Big Table	77 1/2"	1 1/8"	42"	YEP4277()	1,394.	1,394.	1,601.	1,842.	3,130.

(YEP5659(L/V) shown)

	For 24" D Dual Sided Big Table	53 1/2"	1 1/8"	49"	YEP4953()	863.	1,093.	1,557.	1,791.	3,043.
	For 27" D Dual Sided Big Table	59 1/2"	1 1/8"	49"	YEP4959()	1,366.	1,366.	1,786.	2,055.	3,492.
	For 30" D Dual Sided Big Table	65 1/2"	1 1/8"	49"	YEP4965()	1,387.	1,387.	1,847.	2,125.	3,612.
	For 36" D Dual Sided Big Table	77 1/2"	1 1/8"	49"	YEP4977()	1,432.	1,432.	1,961.	2,256.	3,836.

(YEP5659V shown)

	For 24" D Dual Sided Big Table	53 1/2"	1 1/8"	56"	YEP5653()	891.	1,121.	1,798.	2,065.	3,507.
	For 27" D Dual Sided Big Table	59 1/2"	1 1/8"	56"	YEP5659()	1,399.	1,399.	1,879.	2,163.	3,677.
	For 30" D Dual Sided Big Table	65 1/2"	1 1/8"	56"	YEP5665()	1,421.	1,421.	1,939.	2,229.	3,791.

(YEP5659V shown)

Ordering Information

Enclave End Panels For Big Tables

1. Pattern Number
2. Surface Finish
3. Bracket Finish

Order Code

Enclave End Panels For Big Tables

Example: **YEP5653L, M, 118T**

YEP Enclave End Panel

56 Height

53 Width

L Laminate

M Markerboard

118T Bright White Paint

Included With

Enclave End Panels For Big Tables

Attachment brackets
Hardware

Options

Enclave End Panels For Big Tables

Finish Options:

(L) = Laminate
(V) = Veneer

Installation Gauge

The installation gauge is a tool used to help create accurate, consistent Antenna Workspaces installations. The tool can be used in four different ways while installing Antenna Workspaces desks or big tables. (See drawings below)

Application #1

The most common application for the installation gauge is for use when positioning the top over the rails. The V cutout in the installation gauge sits snug to the side of the rail, while the edge of the top tab aligns with the front edge of the desk top. The designed distance from the front edge of the top to the centerline of the rail is 6 5/8".

This side of the installation gauge can also be used to position the rails over pedestals and when connecting to Fence.

Application #2

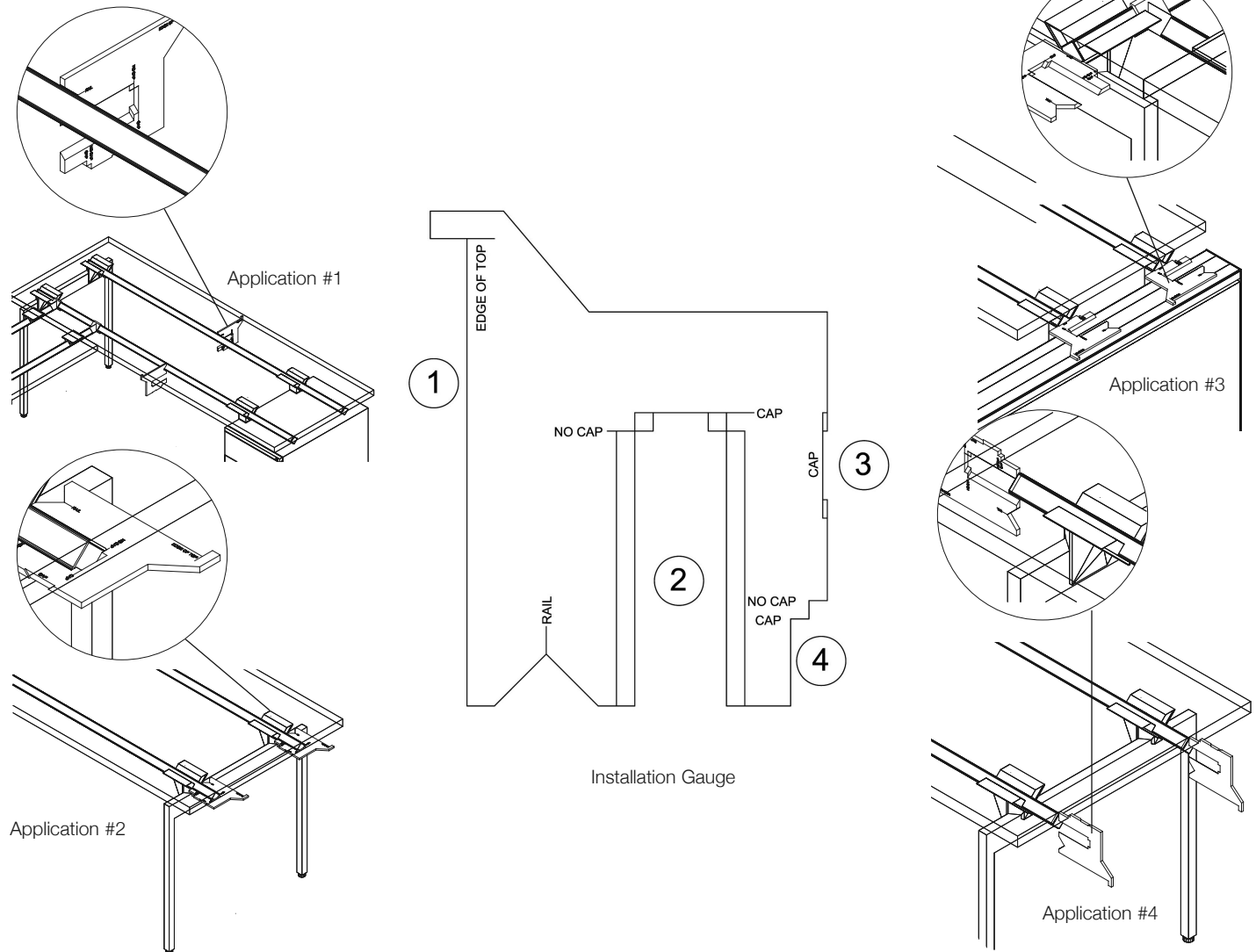
The installation gauge can also be used to position the desk end leg assemblies in the correction location in relation to the end of a rail. Desk end legs are designed to be inset 5 1/2" from the end of the desk top. In this application, the recessed part of the gauge sits up against the end of a rail (with or without the end cap) and the end of the gauge sits against the outside edge of the cradle. This can also be used for big table applications when extension tops or cabinets are not specified.

Application #3

The rail end cap is designed to sit proud of the cradle by approximately 1/16", so that the end of the rail and leg are 1 1/2" from the end of the top. The installation gauge is used to accurately space the outside of the rail end cap to the outside edge of the cradle. This must be used when the leg is placed 1 1/2" from the edge of the top, such as when a bridge or return is to be used to ensure the correct placement for the bridge or return rails.

Application #4

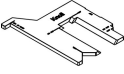

The installation gauge can also be used to correctly position the top over the width of the rails. This will ensure that you have the desired 1 1/2" distance between the end of the rail (with no end cap) and the end edge of the top.



Desk and Table Support

Sales and Installation Tools

Installation Gauge

description	type	pattern no.	list
Installation Gauge 	Package of 5	YBIG	\$25.
Desk Screen Drill Fixture 	Package of 5	YPSDF5	41.
Desk Screen Alignment Pin	Package of 10	YPSP10	77.

Ordering Information

Legs for Dual Big Tables
 1. Pattern Number

Order Code

Installation Gauge
Example: **YBIG**
YB Antenna
IG Installation Gauge

Included With

Options

Electrical Components for Antenna Desks and Big Tables

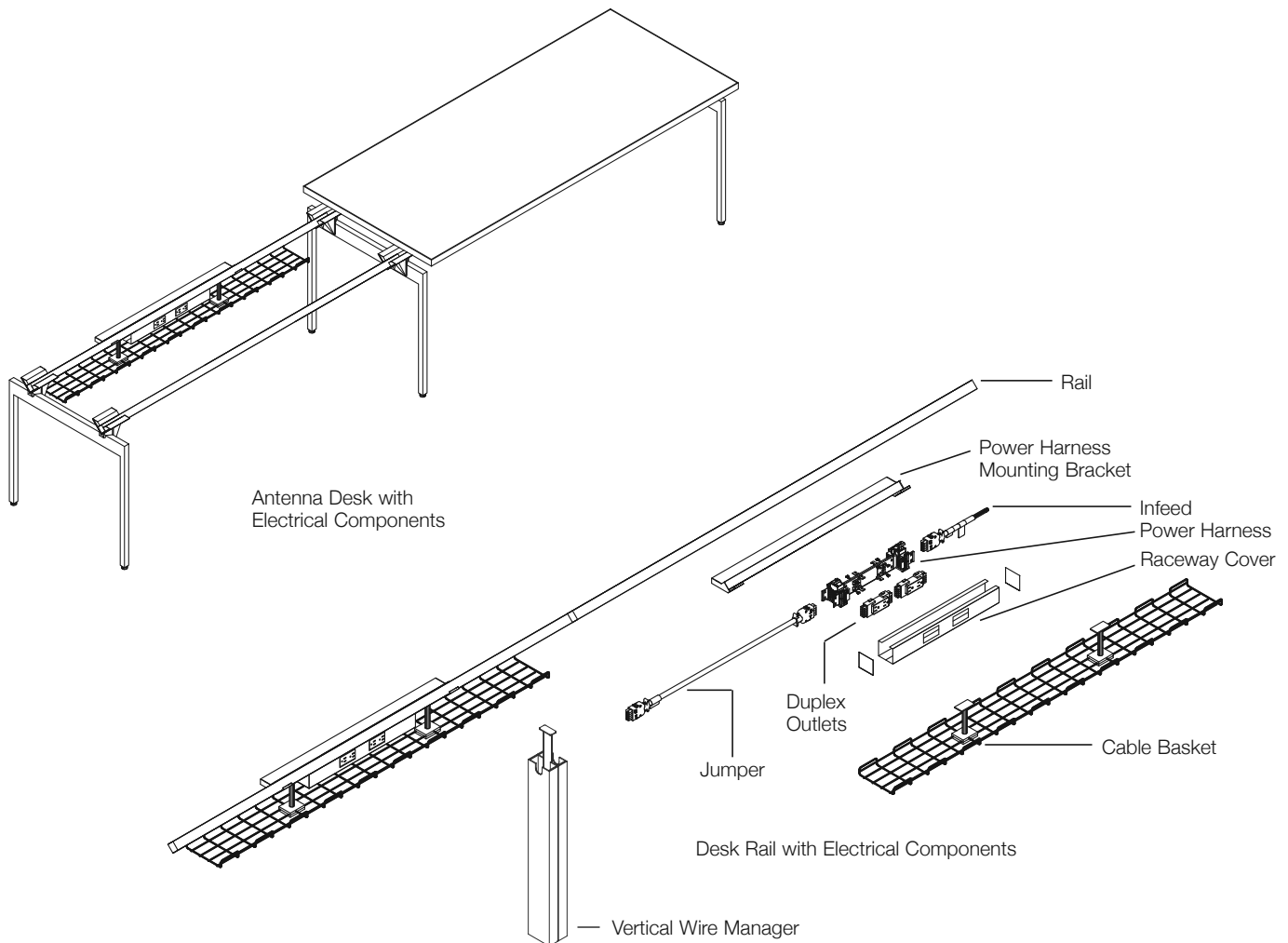
Antenna linked desks and big tables can be powered by a modular distribution system featuring standard Knoll 2+2 and 3+3 eight- and ten-wire power systems. From a single point of connection to the building power supply, Antenna raceway can distribute four or six 20-amp circuits. Depending on national and local electric codes, and the anticipated load of a particular application, each circuit may support as many as 10 or more duplex outlets.

The central component is the power harness, which can be mounted under desk rails or under the center beam of a big table, typically centered on a desk top width.

Under desks the harness is suspended from a power harness mounting bracket attached to either the front or back edge of a desk rail, typically 6" in from the back edge. Specify a power harness mounting bracket to match the width of harness and covers, or 12" wider to also attach cable baskets or data/communications outlet boxes. Under the big table, the harness can be suspended directly from the center beam.

The power harness accepts snap-in duplex outlets on each face, and is enclosed by steel raceway covers, specified separately. Each end of the harness has ports for two jumper cables, or a power infeed and a jumper cable. The power infeed connects power from a building junction box, and jumpers connect power from one harness to another, in either direction.

Power harnesses are available in two sizes: 12" wide, with two duplex outlet locations on each face, and 24" wide, with four outlet locations on each face. Duplex outlets must be specified separately to access one of the four or six circuits. Outlets for all circuits can be specified in black with white letters identifying circuits. Outlets for circuits X, Y, Z are also available in orange with black letters, or black with orange triangles and letters to designate protected circuits.



Corresponding raceway covers for 12" harness are 18" wide; covers for 24" harness are 30" wide. Raceway covers can be ordered in pairs that include two covers with openings or one cover without openings.

Jumper cables are available in various lengths up to 72" to link power between harnesses. To calculate the jumper width required to join between harnesses centered under the beam between big table tops, take the top width and subtract the harness width. Power harnesses planned next to each other, with immediately adjacent raceway covers, can be connected with the 7" jumper.

This enables big table tops to be served by more than four duplex outlets per position.

The same calculation is true for power harnesses under desks linked end to end: take the average of the two top widths and subtract the average of the harness widths. For desk to return power connections, take the average of the top and return widths, subtract the average of the harness widths, and add the depth of the primary top. Desk power jumper cables should be managed by cable clips for desk rails (YR1CC, set of 10).

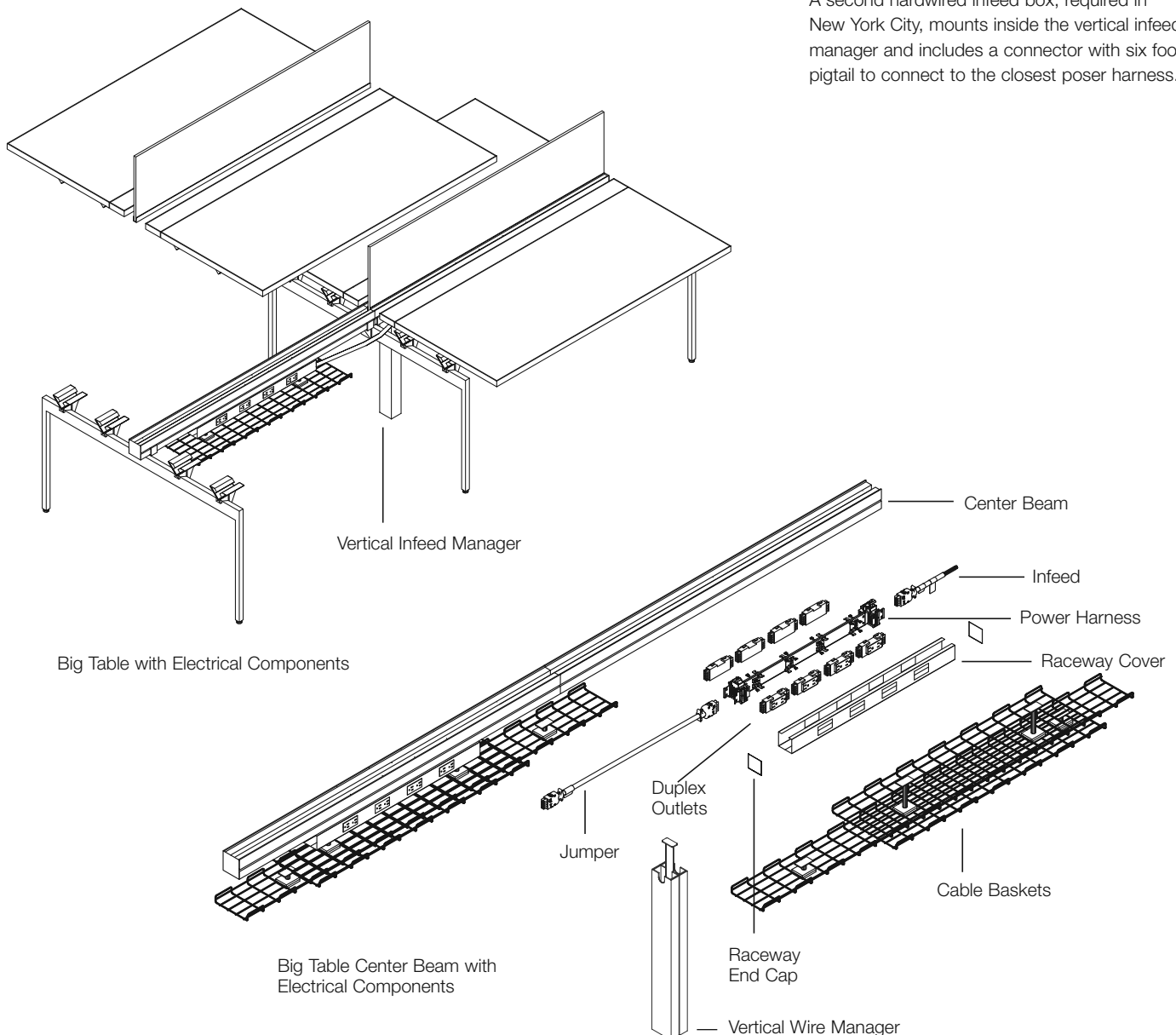
All tops including straight and 120 degree Antenna tops that are 48" wide or narrower only accept the 12" power harness.

To satisfy UL approval desks linked, power jumpers must be secured to each other by mechanical fasteners, such as a shared end leg, return connectors or top-to-top brackets.

Three types of power infeeds are available to connect the raceway from the building power supply. The modular infeed has a modular connector with a six foot pigtail to connect from a junction box in the floor or wall to a power harness.

A hardwired infeed box, required in New York City, mounts to a desk rail or Big Table center beam and includes a connector with six foot pigtail to connect to the closest power harness.

A second hardwired infeed box, required in New York City, mounts inside the vertical infeed manager and includes a connector with six foot pigtail to connect to the closest power harness.



Planning Guidelines for Electrical Components For Desks and Big Tables

Data and communication faceplates are housed in a communication mounting box or plate that is suspended from an extended power harness mounting bracket on either side of the power harness on a desk rail or the center beam of the big table.

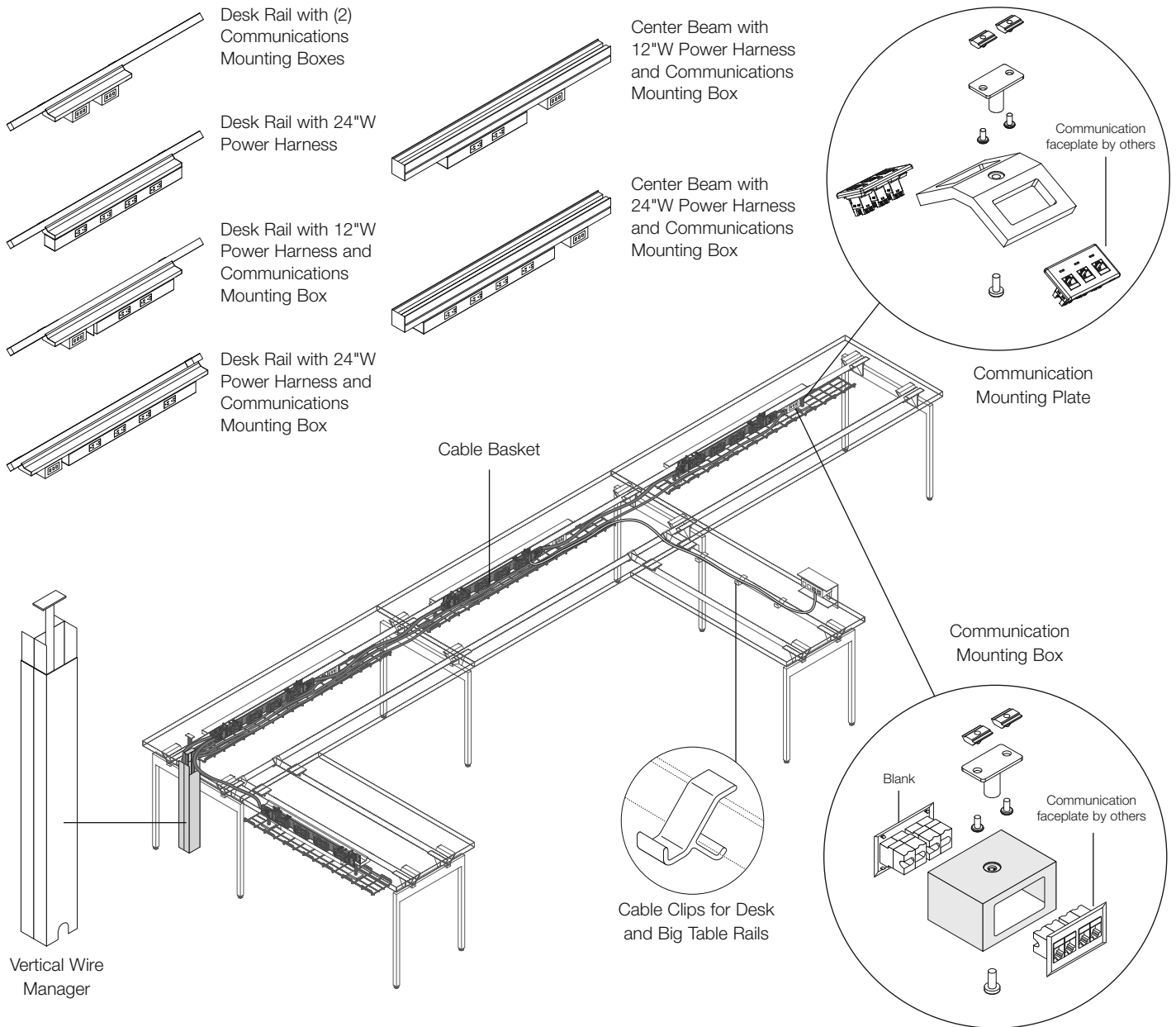
The mounting box has industry standard decora-size opening, 2.66" wide by 1.36" high with 0.094" radii corners, for outlets facing the inside or outside of the desk, and an opening underneath for cable supply.

The mounting plate also has industry standard decora-size openings, 2.66" wide by 1.36" high with 0.094" radii corners, for outlets facing vertical for easy access, and open underside for cable supply.

The PDC module extension kit is a set of ten collars that snap securely into an outlet opening in an Antenna communications mounting box or Fence outlets cover to project a new outlet mounting position 1/2" away from the face of the box or cover. This added depth can be crucial if communications connectors are unusually deep and are arrayed back to back in the mounting

box or Fence. Interior space between back to back communications faceplates is 3" in mounting box, or 3 7/8" in Fence applications. Extension Kit accepts most standard, decora-size communications faceplates. PDC module extension kit is injection molded black plastic.

Outlet fillers are a kit of ten plastic filler plates that flex to snap securely into any unused outlet opening in Antenna raceway covers, communications mounting box, or Fence outlets cover. Installed covers are designed to closely mimic the appearance of adjacent power outlets. Fillers are black injection molded plastic.



2+2

Four 20-amp circuits, 8 wire configuration with four hots (12 gauge), two neutrals (10 gauge, 35A rated), two grounds.

Power harness and outlet modules: steel enclosure between molded polypropylene distribution blocks, 8-wire.

Jumper cables: flexible steel conduit with strain relief, 8-wire

Outlets: molded polycarbonate duplex preconfigured as circuit A, B (black), X, Y (black, orange or black with orange triangle)

Infeed: watertight conduit with 6' whip or hardwire box mounted to desk rail, center beam or fence frame, 8-wire

Load should be balanced evenly among power circuits. In accordance with NEC2011 Article 210, the permissible load should not exceed 80% of the circuit ampere rating (which is 16 amps on each 20 amp branch circuit).

3+3

Six 20-amp circuits, 10 wire configuration with six hots (12 gauge), two neutrals (10 gauge, 35A rated), two grounds.

Power harness and outlet modules: steel enclosure between molded polypropylene distribution blocks, 10-wire.

Jumper cables: flexible steel conduit with strain relief, 10-wire

Outlets: molded polycarbonate duplex preconfigured as circuit A, B, C (black), X, Y, Z (black, orange or black with orange triangle)

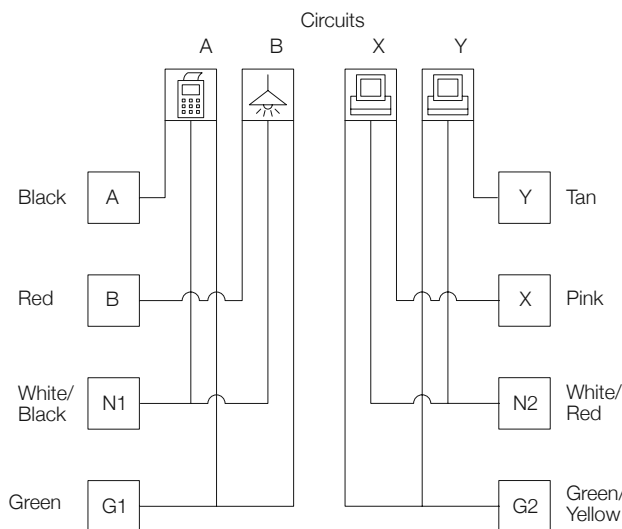
Infeed: watertight conduit with 6' whip or hardwire box mounted to desk rail, center beam or fence frame, 10-wire

Load should be balanced evenly among power circuits. In accordance with NEC2011 Article 210, the permissible load should not exceed 80% of the circuit ampere rating (which is 16 amps on each 20 amp branch circuit).

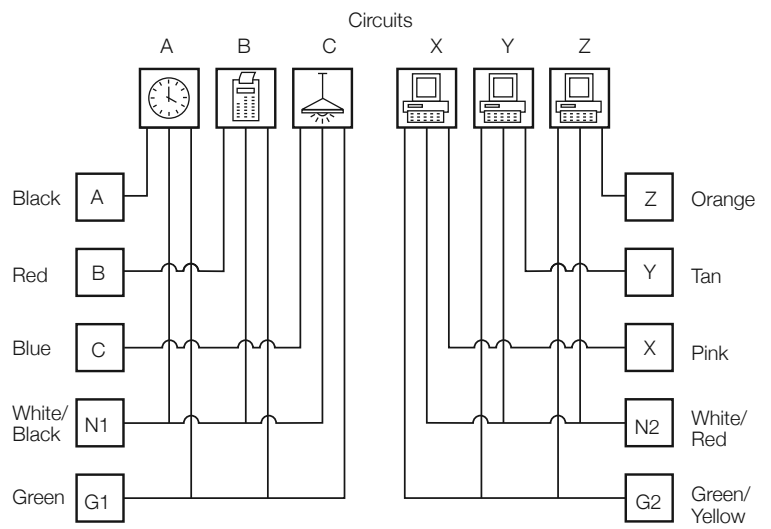
Antenna Workspaces is a listed product with U.L. in the QAWZ office furnishings category.

- File E76704 Volume 13, Section 1 (Furniture)
- File E76704 Volume 5, Section 5 (Electrical Accessories)

Wiring Diagram (2+2)

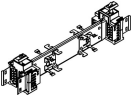

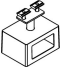

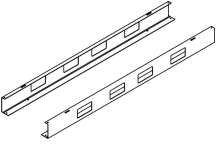



Wiring Diagram (3+3)



Electrical Components for Desks and Big Tables

2 + 2 and 3 + 3 Electrical Systems

description	type	width	depth	height	pattern no.	list
 Power Harnesses	2+2, (2) Duplex Outlets per Side	12"	2"	2"	YRPHE12	\$184.
	3+3, (2) Duplex Outlets per Side	12"	2"	2"	YRPHT12	210.
	2+2, (4) Duplex Outlets per Side	24"	2"	2"	YRPHE24	335.
	3+3, (4) Duplex Outlets per Side	24"	2"	2"	YRPHT24	403.
 Power Harness Mounting Brackets for Desks	For desk mounted 12" wide power harness	18"	3"	3/4"	YRPHA18	71.
	For desk mounted 24" wide power harness	30"	3"	3/4"	YRPHA30	94.
	For desk mounted 12" wide power harness and communications mounting box	30"	3"	3/4"	YRPHA30	94.
	For desk mounted 24" wide power harness and communications mounting box	42"	3"	3/4"	YRPHA42	118.
Communications Mounting Box	Below Desk or Big Table				YR1CMB	41.
						
Communications Mounting Plate	Below Desk or Big Table				YR1CMP	41.
						
PDC Module Extension Kit	Package of 10				YR1PDCX	145.
 Raceway Covers (pair)	For 12" wide power harness, outlets both sides	18"	3"	3"	YR1C18D	100.
	For 12" wide power harness, outlets one side	18"	3"	3"	YR1C18S	100.
	For 24" wide power harness, outlets both sides	30"	3"	3"	YR1C30D	118.
	For 24" wide power harness, outlets one side	30"	3"	3"	YR1C30S	118.
Raceway End Cap	Package of 2	3/8"	3"	3"	YRCE	18.
						

Ordering Information	Order Code	Included With	Options
Electrical Components 1. Pattern Number	Electrical Components <i>Example:</i> YRPHT12	Power Harness Center Beam Attachment	Electrical Components
Mounting Brackets 1. Pattern Number 2. Paint Finish	YRPHT Power Harness 12 Width	Mounting Brackets Attachment Hardware	
Raceway Covers/End Caps 1. Pattern Number 2. Paint Finish	Raceway Covers <i>Example:</i> YRC18D, 118T YRC Raceway Covers 18 Width	Communication Mounting Box Attachment Hardware	
Communication Mounting Box 1. Pattern Number 2. Paint Finish	D Outlets Both Sides 118T Bright White Paint		

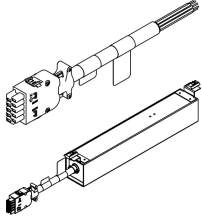
Electrical Components for Desks and Big Tables

2 + 2 and 3 + 3 Electrical Systems

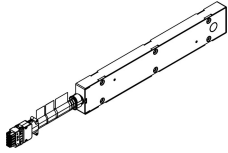
description	type	width	depth	height	pattern no.	list
Covers for Exposed End of Power Harness	Package of 10	1"	1"	2"	YR1CP	\$188.



Infeeds		width	depth	height	pattern no.	list
	2+2 Modular Base Infeed	85"	2 1/8"	2 3/8"	YR1EDPI	204.
	3+3 Modular Base Infeed	85"	2 1/8"	2 3/8"	YR1TDPI	236.
	2+2 Hardwire Infeed for New York City	85"	2 1/8"	2 3/8"	YR1EPNY	449.
	3+3 Hardwire Infeed for New York City	85"	2 1/8"	2 3/8"	YR1TPNY	473.



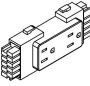
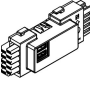

Vertical Infeeds		width	depth	height	pattern no.	list
	2+2 Hardwire Infeed for New York City Vertical Wire Manager	85"	1 1/8"	2 3/4"	YR1EVWMNY	633.
	3+3 Hardwire Infeed for New York City Vertical Wire Manager	85"	1 1/8"	2 3/4"	YR1TVWMNY	665.



Ordering Information	Order Code	Included With	Options
Electrical Components	Electrical Components	Power Harness	Electrical Components
1. Pattern Number	<i>Example:</i> YRPHT12	Center Beam Attachment	
Mounting Brackets	YRPHT Power Harness	Mounting Brackets	
1. Pattern Number	12 Width	Attachment Hardware	
2. Paint Finish	Raceway Covers	Communication Mounting Box	
Raceway Covers/End Caps	<i>Example:</i> YRC18D, 118T	Attachment Hardware	
1. Pattern Number	YRC Raceway Covers		
2. Paint Finish	18 Width		
Communication Mounting Box	D Outlets Both Sides		
1. Pattern Number	118T Bright White Paint		
2. Paint Finish			

Electrical Components for Desks and Big Tables

2 + 2 and 3 + 3 Electrical Systems

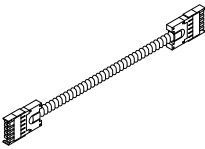
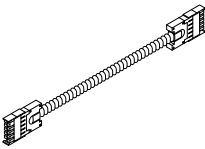
description	type	width	depth	height	pattern no.	list
 Duplex Receptacles	Circuit A, black	1 1/2"	1"	4 1/2"	YR1DA	\$42.
	Circuit A, black with controlled symbol	1 1/2"	1"	4 1/2"	YR1DAC	42.
	Circuit B, black	1 1/2"	1"	4 1/2"	YR1DB	42.
	Circuit B, black with controlled symbol	1 1/2"	1"	4 1/2"	YR1DBC	42.
	Circuit C, black	1 1/2"	1"	4 1/2"	YR1DC	42.
	Circuit C, black with controlled symbol	1 1/2"	1"	4 1/2"	YR1DCC	42.
	Circuit X, black	1 1/2"	1"	4 1/2"	YR1DX	42.
	Circuit X, black with controlled symbol	1 1/2"	1"	4 1/2"	YR1DXC	42.
	Circuit X, orange	1 1/2"	1"	4 1/2"	YR1DXO	42.
	Circuit X, black with orange triangle	1 1/2"	1"	4 1/2"	YR1DXT	42.
	Circuit Y, black	1 1/2"	1"	4 1/2"	YR1DY	42.
	Circuit Y, black with controlled symbol	1 1/2"	1"	4 1/2"	YR1DYC	42.
	Circuit Y, orange	1 1/2"	1"	4 1/2"	YR1DYO	42.
	Circuit Y, black with orange triangle	1 1/2"	1"	4 1/2"	YR1DYT	42.
	Circuit Z, black	1 1/2"	1"	4 1/2"	YR1DZ	42.
	Circuit Z, black with controlled symbol	1 1/2"	1"	4 1/2"	YR1DZC	42.
Circuit Z, orange	1 1/2"	1"	4 1/2"	YR1DZO	42.	
Circuit Z, black with orange triangle	1 1/2"	1"	4 1/2"	YR1DZT	42.	
 USB Duplex	Circuit A, black	1 1/2"	1"	4 1/2"	YR1USBA	185.
	Circuit B, black	1 1/2"	1"	4 1/2"	YR1USBB	185.
	Circuit C, black	1 1/2"	1"	4 1/2"	YR1USBC	185.
	Circuit X, black	1 1/2"	1"	4 1/2"	YR1USBX	185.
	Circuit Y, black	1 1/2"	1"	4 1/2"	YR1USBY	185.
	Circuit Z, black	1 1/2"	1"	4 1/2"	YR1USBZ	185.
 Outlet Fillers	Package of 10	1 1/4"	1/4"	2 1/2"	YROF	36.

Power and Communications

Ordering Information	Order Code	Included With	Options
Electrical Components 1. Pattern Number	Electrical Components <i>Example:</i> YRPHT12 YRPHT Power Harness 12 Width	Power Harness Center Beam Attachment	Electrical Components
Mounting Brackets 1. Pattern Number 2. Paint Finish	Raceway Covers <i>Example:</i> YRC18D, 118T YRC Raceway Covers 18 Width	Mounting Brackets Attachment Hardware Communication Mounting Box Attachment Hardware	
Raceway Covers/End Caps 1. Pattern Number 2. Paint Finish			
Communication Mounting Box 1. Pattern Number 2. Paint Finish	D Outlets Both Sides 118T Bright White Paint		

Electrical Components for Desks and Big Tables

2 + 2 and 3 + 3 Electrical Systems

description	type	w	d	h	pattern no.	list	
 <p>Jumper Cable, 2+2</p>	For 12" between power harnesses	12"	1"	1"	YR1EJ12	\$107.	
	For 18" between power harnesses	18"	1"	1"	YR1EJ18	116.	
	For 24" between power harnesses	24"	1"	1"	YR1EJ24	123.	
	For 30" between power harnesses	30"	1"	1"	YR1EJ30	131.	
	For 36" between power harnesses	36"	1"	1"	YR1EJ36	138.	
	For 42" between power harnesses	42"	1"	1"	YR1EJ42	153.	
	For 48" between power harnesses	48"	1"	1"	YR1EJ48	160.	
	For 54" between power harnesses	54"	1"	1"	YR1EJ54	166.	
	For 60" between power harnesses	60"	1"	1"	YR1EJ60	176.	
	For 66" between power harnesses	66"	1"	1"	YR1EJ66	184.	
	For 72" between power harnesses	72"	1"	1"	YR1EJ72	193.	
 <p>Jumper Cable, 3+3</p>	For adjacent power harnesses	07"	1"	1"	YR1TJ7	183.	
	For 12" between power harnesses	12"	1"	1"	YR1TJ12	138.	
	For 18" between power harnesses	18"	1"	1"	YR1TJ18	151.	
	For 24" between power harnesses	24"	1"	1"	YR1TJ24	160.	
	For 30" between power harnesses	30"	1"	1"	YR1TJ30	169.	
	For 36" between power harnesses	36"	1"	1"	YR1TJ36	180.	
	For 42" between power harnesses	42"	1"	1"	YR1TJ42	199.	
	For 48" between power harnesses	48"	1"	1"	YR1TJ48	208.	
	For 54" between power harnesses	54"	1"	1"	YR1TJ54	215.	
	For 60" between power harnesses	60"	1"	1"	YR1TJ60	229.	
	For 66" between power harnesses	66"	1"	1"	YR1TJ66	240.	
		For 72" between power harnesses	72"	1"	1"	YR1TJ72	250.

Ordering Information	Order Code	Included With	Options
Electrical Components 1. Pattern Number	Electrical Components <i>Example:</i> YRPHT12	Power Harness Center Beam Attachment	Electrical Components
Mounting Brackets 1. Pattern Number 2. Paint Finish	YRPHT Power Harness 12 Width	Mounting Brackets Attachment Hardware	
Raceway Covers/End Caps 1. Pattern Number 2. Paint Finish	Raceway Covers <i>Example:</i> YRC18D, 118T YRC Raceway Covers 18 Width	Communication Mounting Box Attachment Hardware	
Communication Mounting Box 1. Pattern Number 2. Paint Finish	D Outlets Both Sides 118T Bright White Paint		

Surface Mounted Plugmold Raceway

Planning Guidelines and Specifications

Plugmold raceway for Antenna Workspaces is a hardwired raceway solution for linked desk and big table planning applications.

Plugmold houses six simplex outlets on one face and is available in either one circuit (3-wire) or two circuit (4-wire) configurations. Plugmold with one circuit may be appropriate for one or two linked desks; Plugmold with two circuits is appropriate for multiple desks or Big Table applications.

Plugmold is a two part channel, including an extruded aluminum back that screws to a mounting bracket that is suspended from a center beam or power harness mounting

bracket. The snap on face cover has an anodized aluminum finish with cutouts to accommodate eight simplex outlets. The plugmold raceway is 36" wide, 1 1/2" high and 1 1/8" deep. It includes blank ends and ends with fittings to link power to additional raceways or building power supply.

The mounting bracket is 36 1/2" wide U-shape folded steel that attaches to the underside of a big table center beam or power harness mounting bracket to support Plugmold on one or both faces. The hollow inside bracket conceals sheet metal screw fasteners for Plugmold on either side.

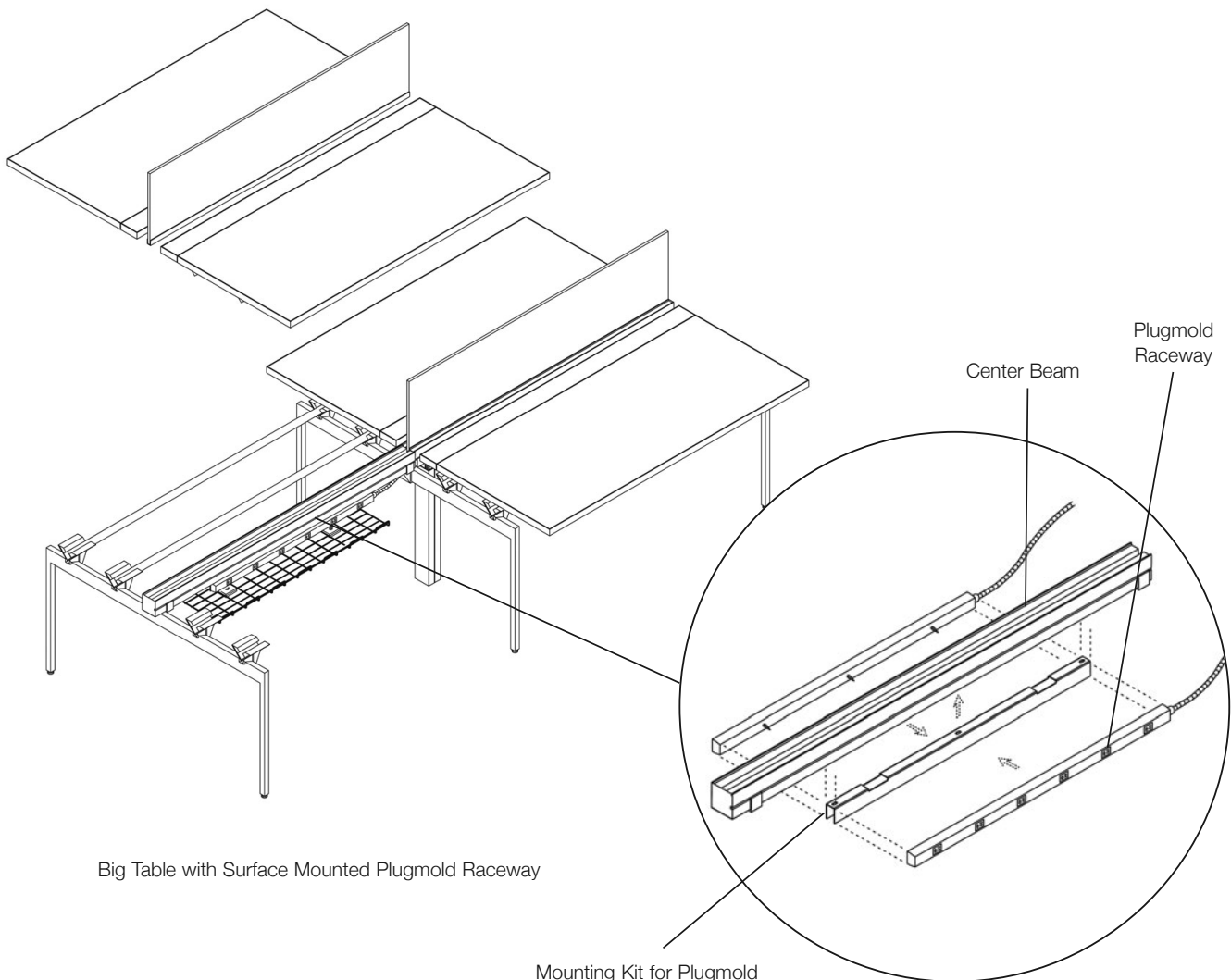
Plugmold raceway is a UL-listed surface mounted Wiremold 2000 raceway and when installed and configured by a licensed electrician it meets the requirements for City of Chicago.

Construction

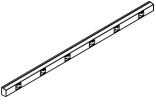
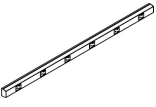
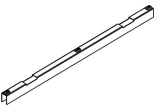
Plugmold raceway is extruded aluminum back plate and cover, steel end covers and extruded aluminum cable exits. Mounting bracket is painted steel.

Specification Options

Plugmold raceways have a clear anodized aluminum finish. Mounting brackets are painted in any Core paint finish.



Surface Mounted Plugmold Raceway For Desks and Big Tables

description	type	w	d	h	pattern no.	list
 Plugmold, Single Circuit	3-Wire, Grey Outlets	36"	1 1/8"	1 1/2"	YRPM361	\$717.
 Plugmold, Two Circuit	4-Wire, Grey Outlets	36"	1 1/8"	1 1/2"	YRPM362	844.
 Mounting Kit for Plugmold	For Desks and Big Tables				YRPMK	127.

Ordering Information	Order Code	Included With	Options
Electrical Components	Plugmold	Plug Mold	Electrical Components
1. Pattern Number	<i>Example: YRPM361</i> YR Electrical Component PM Plug Mold 38 Width 1 Single Circuit	Mounting Kit Attachment brackets Hardware	
	Mounting Kit <i>Example: YRPMK</i> YR Electrical Component PM Plug Mold K Kit		

Desktop Outlet Center

Planning Guidelines and Specifications

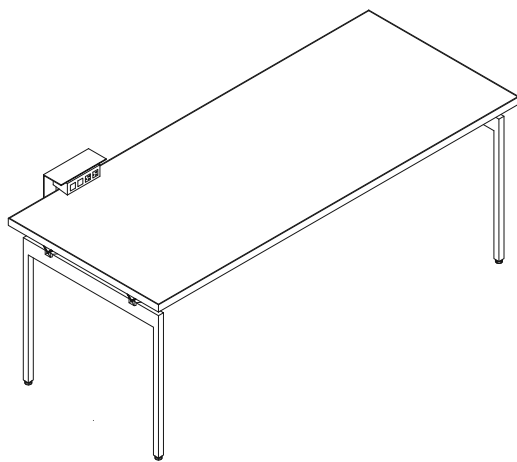
The Antenna Desktop Power Center combines desktop outlets for power data and communications in any Antenna plan and is the ideal solution for independent desks.

The desk mount bracket conceals cables behind and below the desk and incorporates a shelf for small electronics above.

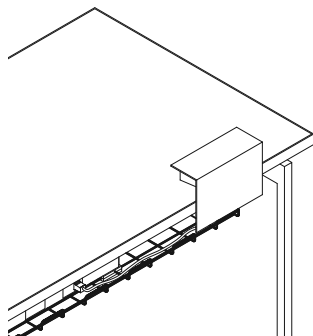
Desktop Power Center is available with four simplex outlet positions (two power and two datacom) or (three power and one 2-port USB) or six outlets (three and three, or two power and four datacom). The hardwired outlet module comes with outlets and is wired with conduit and pigtail ready to hardwire directly into a junction box. The hardwire desktop outlet center is UL listed and meets the requirements of the City of Chicago if installed by a licensed electrician.

Desktop Power Center is powered by a 6' or 10' cordset that can connect to an Antenna raceway outlet or directly to a building outlet, or may be hardwired to building power junction box.

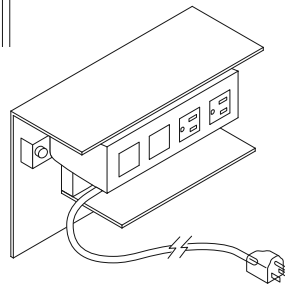
Power center includes adapters for various common communication outlets by others. Rectangular opening in base of power center enables cables to supply outlets from cable tray or cable clips under desktop.



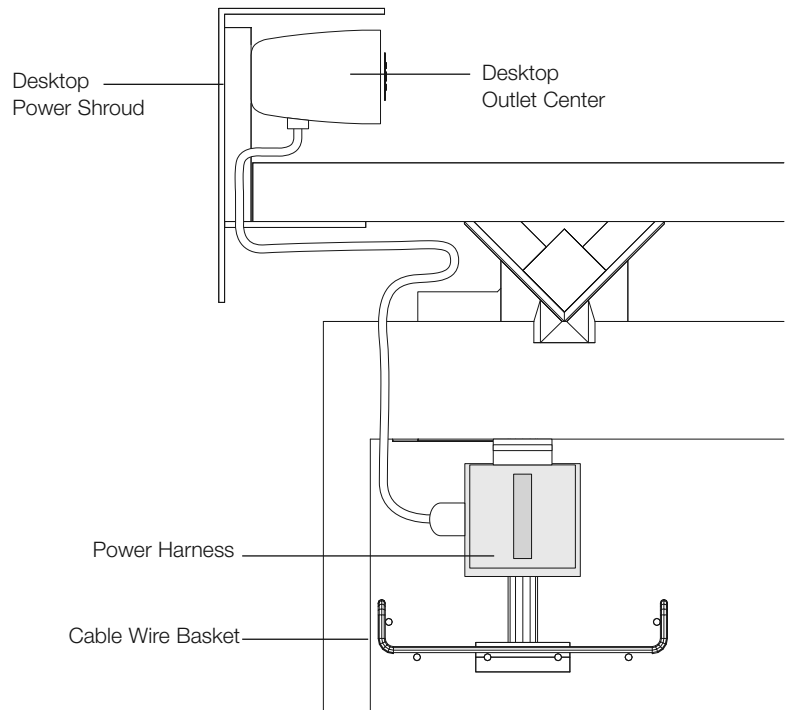
Antenna Desk with Desktop Outlet Center with Power Shroud



Desktop Outlet Center with Power Shroud Back Detail



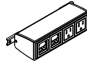
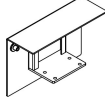
Desktop Outlet Center with Power Shroud



Desktop Outlet Center with Power Shroud Elevation Detail

Desktop Outlet Center

Four or Six Positions

description	type	w	d	h	pattern no.	list
 Desktop Outlet Center	4 Positions (1, 2-port USB and 3 Power), 10' Cordset	6 1/2"	2 1/2"	2"	YR1DOC4U3C10N	\$677.
	4 Positions (1, 2-port USB and 3 Power), 6' Cordset	6 1/2"	2 1/2"	2"	YR1DOC4U3C6N	644.
	4 Positions (1, 2-port USB and 3 Power), 6' Hardwire	6 1/2"	2 1/2"	2"	YR1DOC4U3H6N	695.
	4 Positions (2 Data and 2 Power), 10' Cordset	6 1/2"	2 1/2"	2"	YR1DOC422C10N	497.
	4 Positions (2 Data and 2 Power), 6' Cordset	6 1/2"	2 1/2"	2"	YR1DOC422C6N	461.
	4 Positions (2 Data and 2 Power), 6' Hardwire	6 1/2"	2 1/2"	2"	YR1DOC422H6N	508.
	6 Positions (3 Data and 3 Power), 10' Cordset	9 1/2"	2 1/2"	2"	YR1DOC633C10N	621.
	6 Positions (3 Data and 3 Power), 6' Cordset	9 1/2"	2 1/2"	2"	YR1DOC633C6N	586.
	6 Positions (3 Data and 3 Power), 6' Hardwire	9 1/2"	2 1/2"	2"	YR1DOC633H6N	632.
	6 Positions (4 Data and 2 Power), 10' Cordset	9 1/2"	2 1/2"	2"	YR1DOC642C10N	596.
	6 Positions (4 Data and 2 Power), 6' Cordset	9 1/2"	2 1/2"	2"	YR1DOC642C6N	560.
	6 Positions (4 Data and 2 Power), 6' Hardwire	9 1/2"	2 1/2"	2"	YR1DOC642H6N	608.
	 Desk Mount Outlet Center Shroud	For 4 Position Desktop Outlet Center	8"	3"	6"	YR1DM4
For 6 Position Desktop Outlet Center		11"	3"	6"	YR1DM6	237.

Ordering Information	Order Code	Included With	Options
Desktop Outlet Center	Desktop Outlet Center	Desktop Outlet Center	Desktop Outlet Center
1. Pattern Number	<i>Example:</i> YR1DOC422C10N	Desk Mount Shroud	Desk Mount Shroud
Desk Mount Shroud	YR1DOC Desktop Outlet Center	Attachment Hardware	
1. Pattern Number	4 Positions		
2. Paint Finish	2 Data		
	2 Power		
	C10 10' Cordset		
	N No finish		
	Desk Mount Shroud		
	<i>Example:</i> YR1DM4, 118T		
	YR1DM Desk Shroud		
	4 Positions		
	118T Bright White Paint		

Cable Management

Cable Clips and Vertical Wire Manager

Planning Guidelines and Specifications

Cable Clips for Desk and Big Table Rails

Cable management is available for directly under the top of a desk or big table by using a molded plastic clip that snaps onto a rail. This clip provides management for one or two cables to keep them from hanging below the top. Cable clips for rails are useful for managing power cords for electronic devices.

Cable Clips for Big Table Center Beam

Cable clips for Big Table center beam snap into underside of the beam to manage power cables or small bundles of communications cables. Cable clips for center beam could be useful for managing a jumper cable "passing through" a big table position without a power harness.

Cable Clips for Fence

Cable Clips for Fence snap into the face of studs in the Fence frame to manage small bundles of cables in the unobstructed 1" wide x 6 1/2" high lay-in cabling space

between studs and the inside surface of Fence covers. Four cable clips, each holding up to 14 communications cables, snap into predrilled mounting locations between Fence cover mounting brackets at each of the four cover locations on the frame. As studs are located every 12" along the length of a run of Fence frames, a typical spec might include 40 clips per frame (8 clips per foot) for maximum wire management at the lower 9" level. An integral living hinge detail enables a locking feature to hold cables within the rectangular clips.

Vertical Wire Manager

For desks and big tables, cables can be managed from the floor up to the cable basket by a vertical wire manager. The H-shape internal frame is suspended from the desktop or adapter bracket, and provides lay-in channels separating power from data communication cables. U-shape side covers

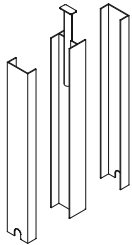
snap onto the frame to manage and conceal cables. Side covers have a "mousehole" shape cutout that can be positioned at the floor level to ease the bend radius of cables entering the bottom of the vertical wire manager.

Construction

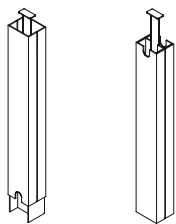
Cable clips are injection molded plastic. Vertical wire manager frames and covers are formed steel.

Specification Options

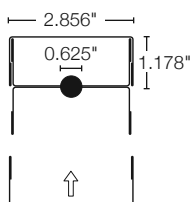
Cable clips for big table center beam and rails are grey. Cable clips for Fence are black. Vertical wire managers may be specified in any Core paint finish.



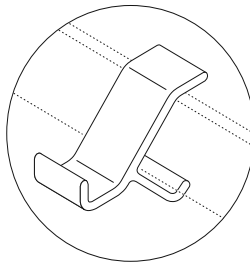
Vertical Wire Manager
Exploded Detail



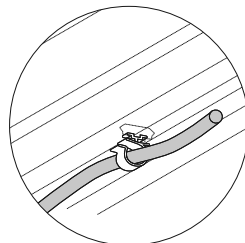
Vertical Wire Manager
Assembly Options



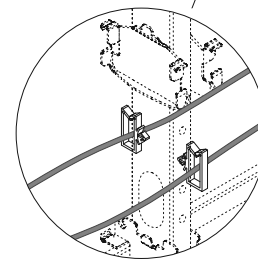
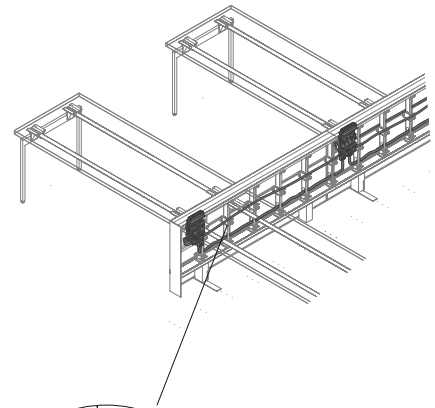
Plan View of Vertical Wire Manager



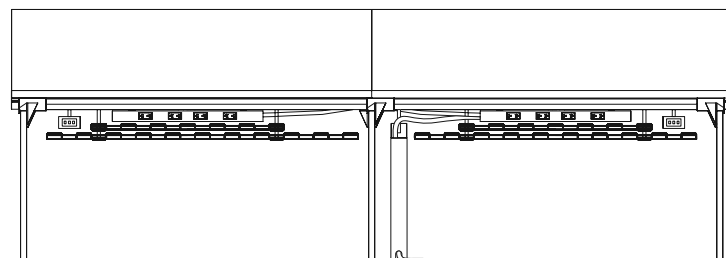
Cable Clips for Desk
and Big Table Rails



Cable Clip for Big
Table Center Beam



Cable Clips for Fence Wall Studs



Big Table with Vertical Wire Manager Elevation

Cable Management

Cable Baskets

Planning Guidelines and Specifications

Cable Baskets

Cable baskets are available to manage both excess power cords under power harnesses, and for data/communications cable distribution.

For desks, a single upper cable basket that is 69" wide, 6" deep and 1" high can be specified for attachment to the power harness mounting bracket located at the back of a desk top. Specify mounting bracket 12" wider than the power harness, so there is room to attach cable basket hangers to mounting bracket. Baskets can be trimmed in length to fit between desk

legs or between desk legs and storage.

For big tables, upper and lower cable baskets are available. A 12" deep, 1" high upper cable basket manages power cords directly below the power harness. Upper cable baskets are available in a 27" width that corresponds to the 12" wide harness, a 39" width for the 24" wide harness, and 69" wide by either 6" or 12" deep. For standing height big table, a 69" x 6" basket is available with 7" deep mounting brackets to clear leg braces. Lower cable baskets 69" long and either 6" or 12" deep manage data/

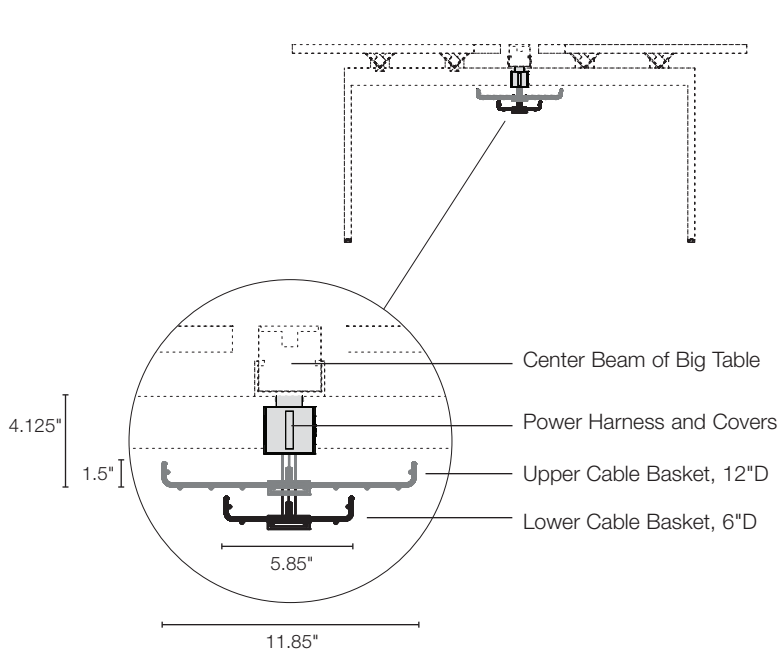
communications distribution for the width of the big table. Cable baskets and mounting hardware can also be specified separately. Cable baskets can be trimmed to the appropriate length onsite.

Construction

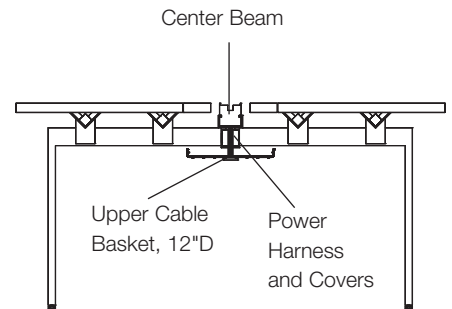
Cable baskets are painted wire.

Specification Options

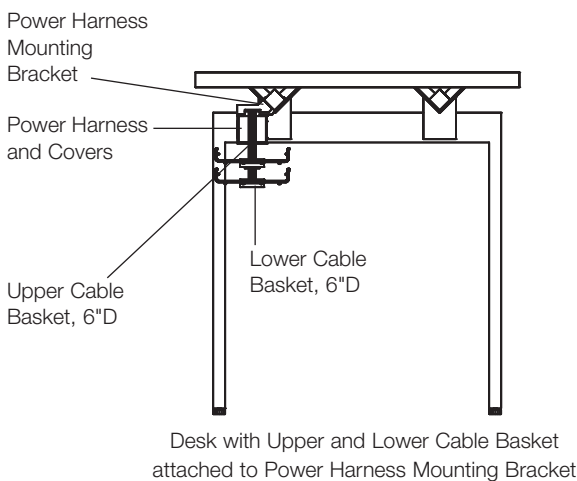
Cable baskets are painted medium grey.



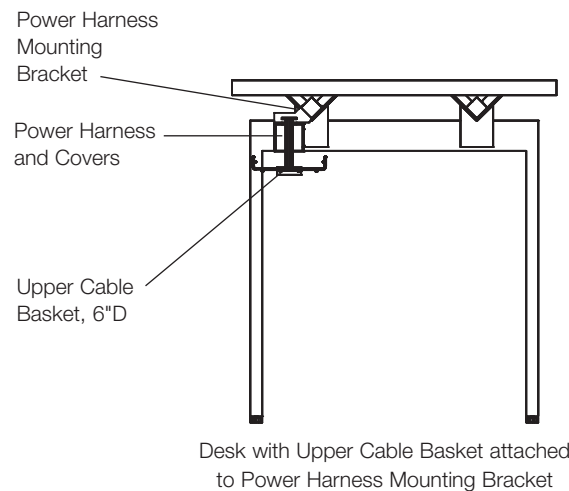
Big Table with Cable Baskets End Elevation Detail



Big Table with Upper Cable Basket Attached to Center Beam



Desk with Upper and Lower Cable Basket attached to Power Harness Mounting Bracket



Desk with Upper Cable Basket attached to Power Harness Mounting Bracket

Cable Management

Cable Basket Attachment Kits

Planning Guidelines and Specifications

Lower Cable Basket Mount Kit

Lower cable basket mount kits can be used to attach a cable basket underneath another cable basket. This may be necessary when a cable basket is cut in half or when converting an upper cable basket into a lower cable basket. The mounting kit provides two brackets with hardware that can be used with any depth cable basket.

Cable Basket Extension Kit

Cable basket extension kits can be used to increase the space above or between baskets by 1 3/4". The extension kit can be specified in combination with either upper level or lower level cable baskets. Standard upper level basket hangers are 4" high, lower level baskets are suspended 1 3/8".

Cable Basket Extra Mount Kit

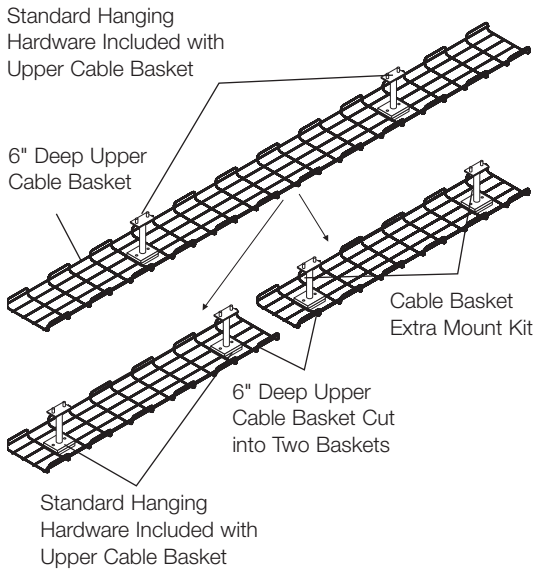
When a single cable basket is cut into two smaller baskets, a cable basket extra mount kit should be specified. This mounting kit provides the additional hardware necessary for both baskets to be attached to either the center beam or the power harness mounting bracket. Extra mount kit is available in 4" length for desk height and 7" length for standing height applications.

Construction

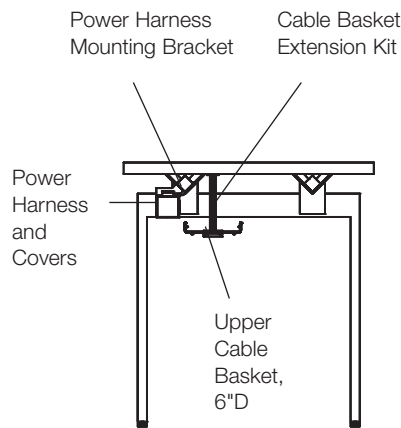
Cable basket attachment kits are painted steel.

Specification Options

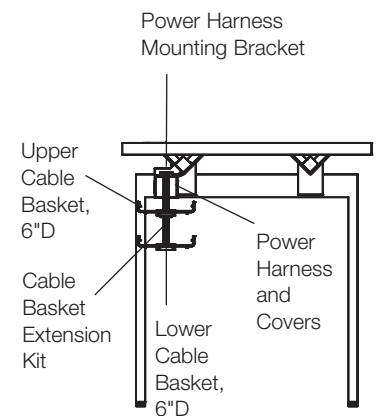
Cable basket attachment kits are painted medium grey.



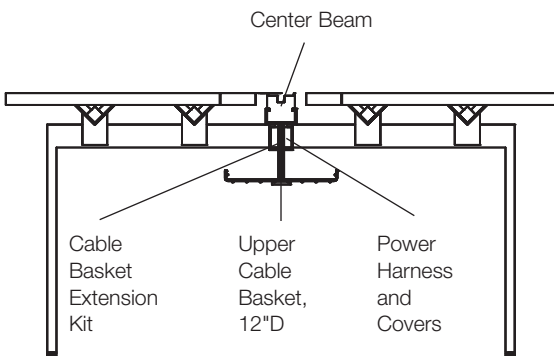
Cable Basket Extra Mount Kit Application



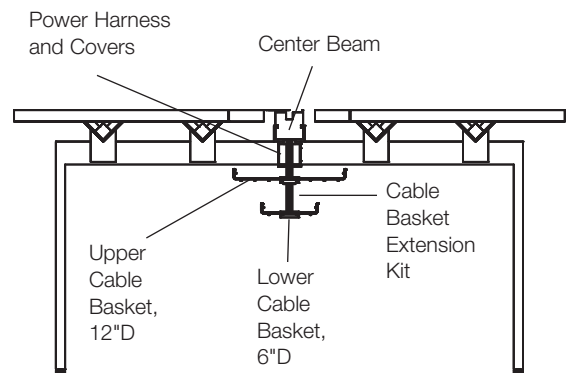
Desk with Upper Cable Basket attached to Top with Cable Basket Extension Kit



Desk with Upper and Lower Cable Baskets attached to Power Harness Mounting Bracket with Cable Basket Extension kit for 3" between baskets



Big Table with Upper Cable Basket attached to Center Beam with Cable Basket Extension Kit




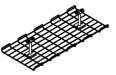
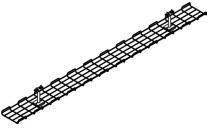
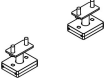


Big Table with Upper and Lower Cable Baskets attached to Center Beam with Cable Basket Extension Kit

Cable Management

For Desks and Big Tables

Cable Clips, Cable Baskets and Vertical Infeed/Wire Manager

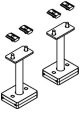
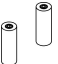


description	type	w	d	h	pattern no.	list
Cable Clips for Desk and Big Table Rails 	Package of 10	3/4"	1 1/2"	1"	YR1CC	\$60.
Cable Clips for Big Table Center Beam 	Package of 50				YR1BCC50	279.
Cable Clips for Wall Studs 	Package of 100	1/4"	1/2"	1 1/2"	YR1PCC100	87.
Upper Cable Baskets (12" D Shown) 	27" x 12" with 4"H mount	27"	12"	1"	YR1CB2712B	135.
	39" x 12" with 4"H mount	39"	12"	1"	YR1CB3912B	160.
	69" x 12" with 4"H mount	69"	12"	1"	YR1CB6912B	242.
	69" x 6" with 4"H mount	69"	6"	1"	YR1CB6906B	165.
Upper Cable Baskets for standing height table	69" x 6" with 7"H mount	69"	6"	1"	YR1CB6906S	213.
Lower Cable Baskets (6" D Shown) 	Attaches Below Upper Cable Basket	69"	6"	1"	YR1CB6906H	148.
	Attaches Below Upper Cable Basket	69"	12"	1"	YR1CB6912H	224.
Basket without mount	Specify mounting hardware separately	69"	6"	1"	YR1CB6906N	95.
Lower Cable Basket Mount Kit 	Used to Attach Lower Cable Basket to Upper Cable Basket			1 3/8"	YR1CBH	54.

Ordering Information	Order Code	Included With	Options
Cable Clips	Cable Clips	Cable Clips	Cable Clips
1. Pattern Number	<i>Example:</i> YR1CC	Cable Basket	Cable Basket
Cable Basket	YR1CC Cable Clips	Attachment Hardware	Vertical Infeed/Wire Manager
1. Pattern Number	Vertical Infeed/Wire Manager	Cable Basket Extension Mount Kit	
Vertical Infeed/Wire Manager	<i>Example:</i> YR1VWM, 323	Attachment Hardware	
1. Pattern Number	YR1VWM Vertical Infeed/Wire Manager	Cable Basket Extra Mount Kit	
2. Paint Finish	118T Bright White Paint	Attachment Hardware Plates	
		Vertical Infeed/Wire Manager	
		Attachment Hardware	

Cable Management

For Desks and Big Tables

Cable Clips, Cable Baskets and Vertical Infeed/Wire Manager

description	type	w	d	h	pattern no.	list
Cable Basket Extra Mount Kit 	For desk height			4"	YR1CBB4	\$71.
	For standing height			7"	YR1CBB7	115.
Cable Basket Extension Kit 	Used to Extend Hang of Cable Basket			1 3/4"	YR1CBX2	19.
Vertical Infeed/Wire Manager 	For desks or desk height table	3"	2 1/2"	23"	YR1VWM323	393.
	For standing height table 36"h	3"	2 1/2"	31"	YR1VWM330	530.
	For standing height table 42"h	3"	2 1/2"	37"	YR1VWM336	530.
Beam Cable Manager (set of 10) 	Attaches to edge of center beam	1 1/8"	1 1/4"	2 1/2"	YR1BCM10	71.

Ordering Information	Order Code	Included With	Options
Cable Clips	Cable Clips	Cable Clips	Cable Clips
1. Pattern Number	<i>Example:</i> YR1CC	Cable Basket	Cable Basket
Cable Basket	YR1CC Cable Clips	Attachment Hardware	Vertical Infeed/Wire Manager
1. Pattern Number	Vertical Infeed/Wire Manager	Cable Basket Extension Mount Kit	
Vertical Infeed/Wire Manager	<i>Example:</i> YR1VWM, 323	Attachment Hardware	
1. Pattern Number	YR1VWM Vertical Infeed/Wire Manager	Cable Basket Extra Mount Kit	
2. Paint Finish	118T Bright White Paint	Attachment Hardware Plates	
		Vertical Infeed/Wire Manager	
		Attachment Hardware	

Fence Planning Guidelines

Fence is an independent 5" thick service wall intended to define the center of a cluster or the perimeter of a team space. Fence distributes and manages power, data and communications for a group of workspaces through the use of convenient outlets, accessible cable trays and slatwall. The unique Fence crown supports the end of a desk, screens and storage cabinets on stanchions in the center.

Fence can be specified at either 25" or 28 1/2" high. The 25" horizon aligns with the top of Antenna desk legs, enabling desk support rails to extend above the Fence crown top cap. The 28 1/2" horizon aligns with the top of a standard desk height top. The crown top cap corresponds in thickness and edge radius to an Antenna desk top.

Full or segmented covers to enclose the Fence structure are available with a painted, laminate or veneer surface. Full covers conceal the entire Fence structure, ending at the underside of the

crown. Segmented Fence covers are available as 9" high upper covers and 14" or 17" high lower covers. Fence covers are available in 12" width increments up to 72" and may span across straight frame-to-frame connections.

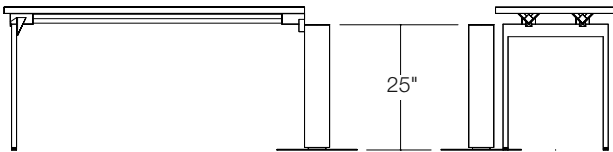
Fence can be configured in freestanding straight runs in any combination of 4', 5', or 6' widths, or in L, T, X, V or 120-degree Y connections.

Modular power systems available for Fence connect to the building at any point under the base and distribute either Knoll 2+2 or 3+3 electrical components up to six circuits from a single infeed. The unique profile of the frame and covers enables hundreds of cables to be "laid in" across multiple frames.

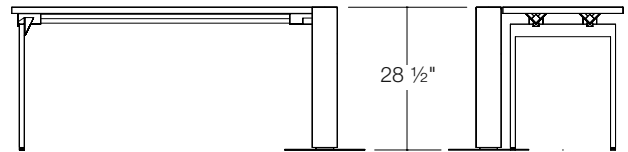
Screens for Fence are available in heights that create a horizon of 42" for seated visual access or 49" for seated visual privacy attaching to either 25" or 28 1/2" high Fence. Stanchion Mounted cabinets are able to attach to Fence using stanchion brackets, creating a 49" high horizon.

A Fence configuration consists of frames, legs, stabilizer feet, crown top caps, end covers, connectors, covers and power components. The recommended planning sequence is:

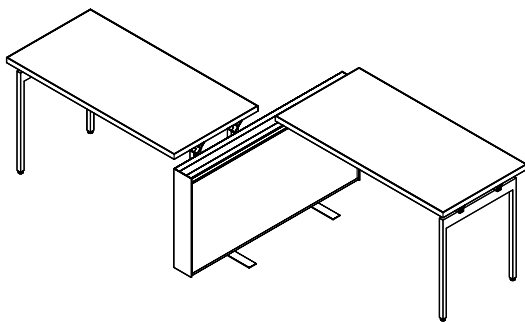
1. Determine the overall length and height of Fence frames and add legs/stabilizer feet where required (see stability guidelines).
2. Specify crown top caps to trim the top of the frame, flat ends for the ends of the frame and connectors for frame-to-frame connections.
3. Position outlet covers, cable tray and slatwall in desired location.
4. Fill in remaining frame openings with upper, lower and/or full covers.
5. Complete power specifications with outlet modules, duplex receptacles, infeeds and jumper cables.



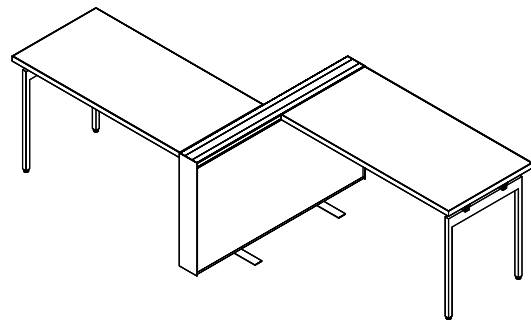
25"H Fence Elevations



28 1/2"H Fence Elevations



25"H Fence



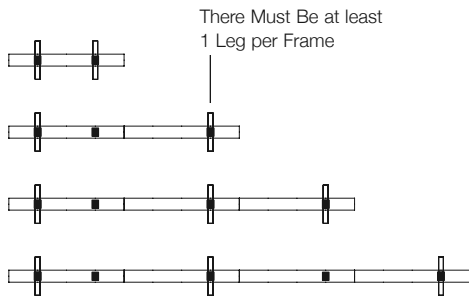
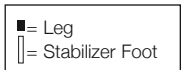
28 1/2"H Fence

Fence Stability Guidelines

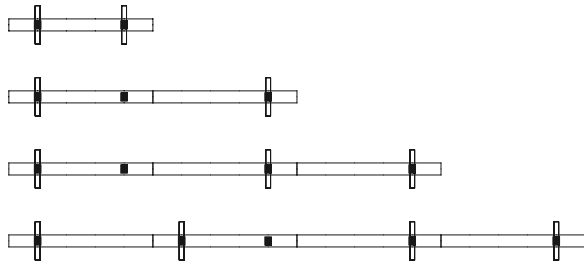
Fence can be planned in straight runs or connected in L, T, X, V or Y configurations. Legs are required 1' from any connector and a stabilizer foot should also be added 8' or less from an L, T or V connector. Two Fence legs are recommended for each frame when a desk

end support or upmounted storage cabinet application is planned. In addition to legs, a stabilizer foot should be added at each end and every 8' along a straight run. If storage or desk supports are not planned, Fence legs are required at each end of straight runs and every 4' or 5' with at least one per Fence frame.

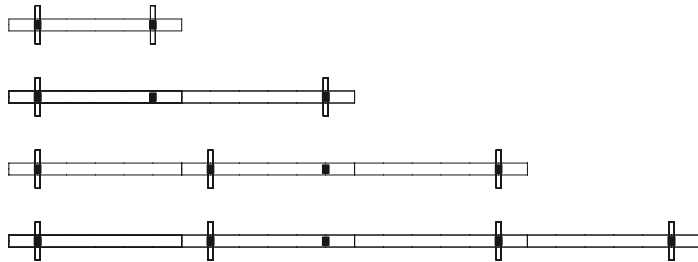
When supporting overhead storage, fence must be stabilized by attachment to an adjacent desk.



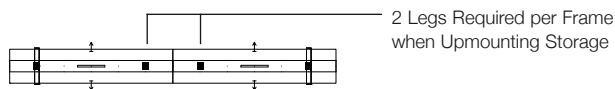
Straight Run Configurations using 48"W Frames



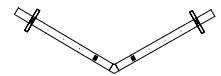
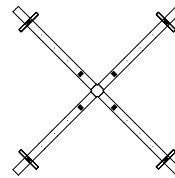
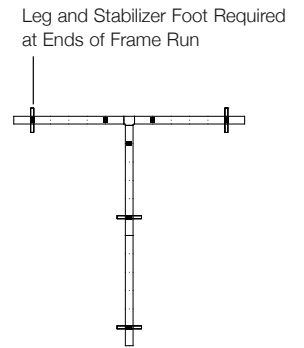
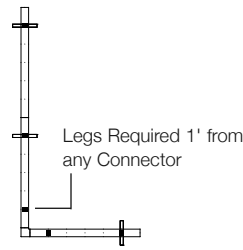
Straight Run Configurations using 60"W Frames



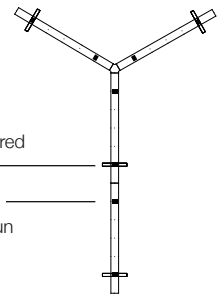
Straight Run Configurations using 72"W Frames



Straight 12' Run with Upmounted Storage



Stabilizer Foot Required at Least Every 8'
 Legs Required Every 4'-5' of a Straight Run



Fence Structure

Fence frames are the base structure of a Fence application. Frames are designed with 1" x 2" vertical studs every 12". Half-width vertical studs at each end are welded to a 1" high horizontal crown and bottom channel that are the full width of the frame. Frames are 21" high and available in 4', 5' and 6' widths. Frames include one set of connectors to join to the next frame in a straight line. The top of the frame crown has features that enable desk support brackets to attach to either side of the Fence frame, as well as screen and storage stanchions in the center of the crown.

The bottom channel of the frame has ports to enable vertical cable feeds between studs. Studs have two ports that allow lateral distribution of power jumper cables. Steel clips are welded to both faces of the studs to support the attachment of Fence covers. Covers are offset 1" to enable lay-in cable management across the face of any length of interconnected frames. Cable clips can be specified separately to manage bundles of communication cables.

Fence is available in two heights: 25" and 28 1/2". The height of fence is determined by the height of the leg, specify 4" high legs for 25" high Fence or 7" high legs for 28 1/2" high Fence. Legs attach to the frame bottom channel 1" from each end. Legs are required 1' from any connector and a stabilizer foot should also be added 8' or less from an L, T or V connector. Two Fence legs are recommended for each frame when a desk end support or upmounted storage cabinet application is planned. If storage or desk supports are not planned, Fence legs are required at each end of straight runs and every 4' or 5' with at least one per Fence frame.

A stabilizer foot is a heavy gauge steel foot that attaches to a Fence leg and extends 6" on either side of the frame. In addition to legs, a stabilizer foot should be added at each end and every 8' along a straight run.

Construction

Frames are 21" high steel weldments available in 48", 60", and 72" widths. Frames are composed of a 1" high crown, bottom rail, 1/2" wide roll formed studs at ends and 1" wide roll formed studs on 12" centers between the ends. Formed steel clips welded at the top, center and bottom of each stud enable covers to mount and snap into position without tools.

Legs are extruded aluminum with steel top and bottom plates to connect to the bottom of the frame 12" from either end and accept 3" high leveling glides with 2" adjustable height.

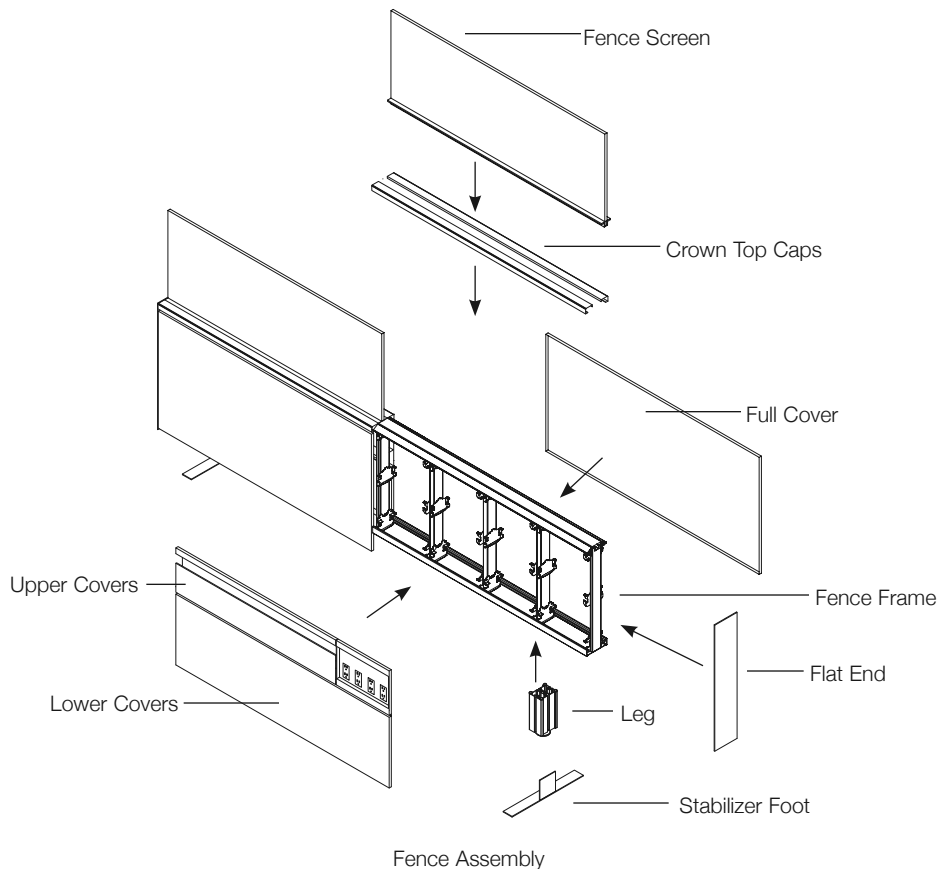
Stabilizer feet are an inverted T-shape constructed of welded steel that rests directly on the floor below the leveling glide.

Cable clips are molded black plastic, approximately 1 1/2"H x 3/4"D, and each can manage 10 or more CAT5 cables.

Antenna Fence frame is essentially similar to Currents Fence, but has a different bottom channel to enable the covers to extend to the floor. Legs and feet are unique to Antenna Fence.

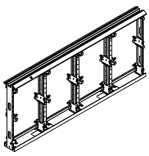

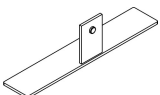
Specification Options

Frames have a black paint finish. The legs and stabilizer foot are available in any core paint finish. Cable clips (AR1PCC100) must be specified separately and are available in packages of 100.



Fence Structure

Frames, Legs and Stabilizer Foot

description	type	w	d	h	pattern no.	list
	48" Wide	48"	5"	21"	YFF2148	\$520.
	60" Wide	60"	5"	21"	YFF2160	616.
	72" Wide	72"	5"	21"	YFF2172	685.
	For sue with 25" High Fence	3 1/2"	4"	4"	YFL25	36.
	For use with 28 1/2" High Fence	3 1/2"	4"	7"	YFL28	47.
	For use with individual leg	4"	16"	1/4"	YFLSF	94.

Fence Components

Ordering Information	Order Code	Included With	Options
Frame/Legs	Frame/Legs	Frame/Legs	Frame/Legs
1. Pattern Number	<i>Example:</i> YFF2148	Stabilizer Foot	Stabilizer Foot
Stabilizer Foot	YFF Fence Frame	Attachment Hardware	
1. Pattern Number	21 Height		
2. Paint Finish	48 Width		
	Stabilizer Foot		
	<i>Example:</i> YFLSF, 118T		
	YFLSF Stabilizer Foot		
	118T Bright White Paint		

Fence Connectors and Trim

Planning Guidelines and Specifications

Fence Connectors and Trim

Each fence frame requires a pair of matching width crown top caps. Crown top caps match the profile of an Antenna desk top and snap on to either side of the frame crown, leaving a center channel accessible for mounting screens or overhead support stanchions.

Crown center channel can be filled with a crown top cap center channel. Center crown top caps can be trimmed on site to fit around stanchions or off module screens.

Fence flat ends attach directly to the outside ends of the frame, covering the ends of the crown top caps and edges of side covers.

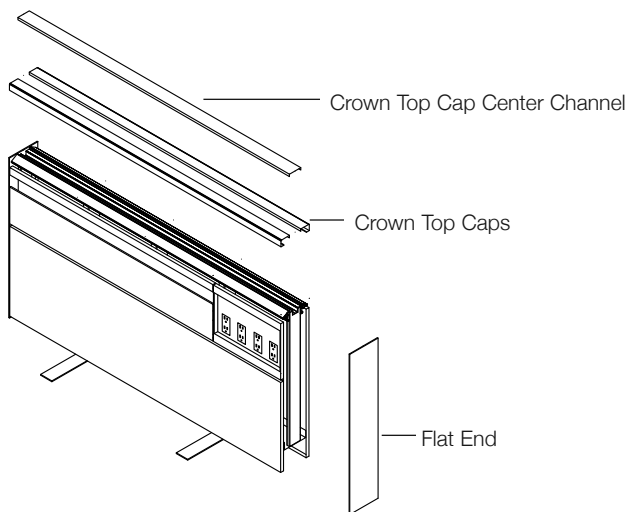
Fence connectors attach between two or more frames at a 90-degree or 120-degree angle creating L, X, T, V or Y conditions. Connectors add 1" in plan on either side. Connector kits include formed steel top and bottom brackets, inside and outside vertical trim covers, connector top cap and end caps for the ends of crown top caps.

Construction

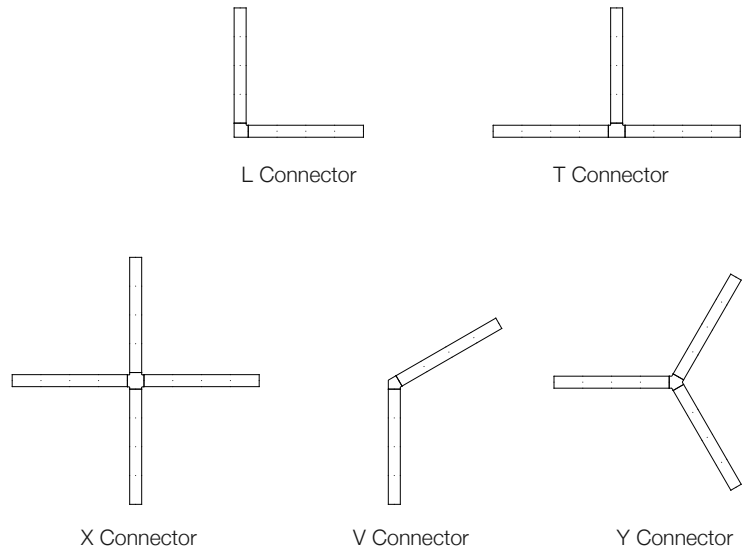
Crown top caps are painted extruded aluminum. Crown top cap center channels are extruded metal. Connector kits are comprised of formed steel top and bottom brackets and trim covers, molded plastic top caps and metal crown end caps.

Specification Options

Crown top caps and crown top cap center channels can be specified in any core paint finish. Flat ends and connector covers can be specified in any core paint finish. For L, T, and V conditions, specify connector top cap and crown end caps, which are included in connector kits, in any core paint finish. For X and Y conditions, specify crown end caps in any core paint finish.





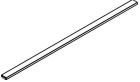
Connector and Trim Assembly Detail



Fence Connector Applications

Fence Connectors and Trim






Antenna Crown Top Caps and Flat Ends

description	type	w	d	h	pattern no.	list
Flat Ends 	For 28 1/2" High Fence		1/4"	28 1/2"	YFJE28	\$107.
	For use with 25" High Fence	5"	1/4"	25"	YFJE25	107.
Crown Top Caps (pair) 	For use with 48" wide frame	48"	1 1/2"	3/4"	YFTC48	60.
	For use with 60" wide frame	60"	1 1/2"	3/4"	YFTC60	83.
	For use with 72" wide frame	72"	1 1/2"	3/4"	YFTC72	94.
Crown Top Cap Center Channel 	For use with 48" wide crown top caps	48"	1 3/4"	3/4"	YFCC48	30.
	For use with 60" wide crown top caps	60"	1 3/4"	3/4"	YFCC60	41.
	For use with 72" wide crown top caps	72"	1 3/4"	3/4"	YFCC72	47.

Ordering Information	Order Code	Included With	Options
Crown Covers/Flat Ends	Crown Covers/Flat Ends	Crown Covers/Flat Ends	Crown Covers/Flat Ends
1. Pattern Number	<i>Example:</i> YFJE25, 118T		
2. Paint Finish	YFJE Flat End		
	25 Height		
	118T Bright White Paint		

Fence Connectors and Trim

Antenna Connectors

description	type	w	d	h	pattern no.	list
L Connectors (Two-Way) 	For use with 25" High Fence	5"	5"	25"	YFJL25	\$533.
	For use with 28 1/2" High Fence	5"	5"	28 1/2"	YFJL28	533.
T Connectors (Three-Way) 	For use with 25" High Fence	5"	5"	25"	YFJT25	626.
	For use with 28 1/2" High Fence	5"	5"	28 1/2"	YFJT28	626.
X Connectors (Four-Way) 	For use with 25" High Fence	5"	5"	25"	YFJX25	674.
	For use with 28 1/2" High Fence	5"	5"	28 1/2"	YFJX28	674.
V Connectors (Two-Way 120 degree) 	For use with 25" High Fence	5"	5"	25"	YFJV25	856.
	For use with 28 1/2" High Fence	5"	5"	28 1/2"	YFJV28	856.
Y Connector (Three-Way 120 Degree) 	For use with 25" High Fence	5"	5"	25"	YFJY25	520.
	For use with 28 1/2" High Fence	5"	5"	28 1/2"	YFJY28	520.

Ordering Information

Connectors

1. Pattern Number
2. Vertical Paint Finish (except for X and Y connector)
3. Top Cap Paint Finish
4. Crown End Cover Finish

Order Code

Connectors

Example: **YFJT25, 118T, 118T, 118T**

YFJT	Fence T Connector
25	Height
118T	Bright White Paint
118T	Bright White Paint
118T	Bright White Paint

Included With

Connectors

Attachment Hardware
Connectors
Trim

Options

Connectors

Fence Electrical Components

Fence is powered by a unique point-to-point configuration of standard Knoll 2+2 or 3+3 modular raceways. The central power component is the outlet module, which has integral hooks to hang from the top stud clips on the frame. The outlet module is less than 6" wide, so two outlet modules can fit side by side between any two studs.

Each face of the outlet module accepts two duplex outlets, unique to Antenna Fence, that extend to protrude through the outlet cover openings. Duplex receptacles must be specified to access one of the four or six circuits. The four ports at the bottom of an outlet module accept jumper cables or an infeed with up to three jumper cables.

Jumpers

Jumper cables are available in various lengths up to 108" to link power between outlet modules. Side by side outlet modules behind a single outlet cover should be

joined by an 18" jumper, outlet modules behind adjacent outlet covers should be joined by a 24" jumper. For other planning conditions, fence jumpers need to be at least 24" wider than the width of the fence cover between outlet covers. For example, if outlet modules are positioned behind outlet covers separated by a 36" wide fence cover, they should be joined by a 60" or wider jumper.

Infeeds

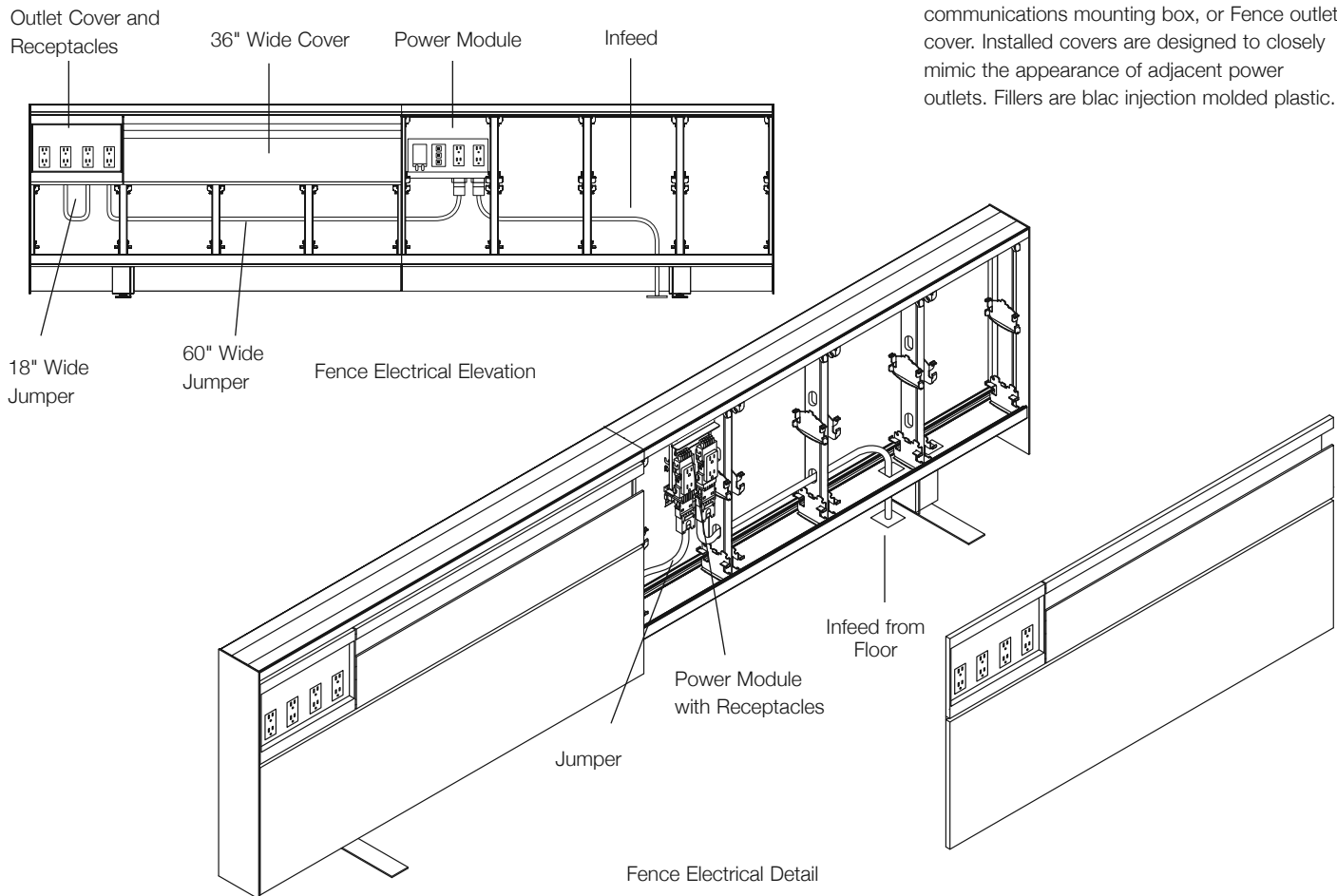
Two types of power infeeds, modular and hardwire, are available to connect the raceway to the building power supply. The modular infeed has a modular connector with a six foot pigtail that connects a junction box directly to Fence, through a port in the bottom of the frame, to an outlet module. Clad in metal conduit, the modular infeed is compliant with San Francisco electrical codes. A hardwire infeed, required in New York City, mounts to the frame and includes a connector with six foot pigtail that connects to an outlet module.

Infeed cables for both power and communications enter the Fence frame through the 1" space at the base of full or lower covers and the 3" (with 25" high Fence) or 6" (with 28 1/2" high Fence) space between the bottom of the frame and the floor.

Data and Communications

The PDC module extension kit is a set of ten collars that snap securely into an outlet opening in Antenna communications mounting box or Fence outlets cover to project a new outlet mounting position 1/2" away from the face of the box or cover. This added depth can be crucial if communications connectors are unusually deep and are arrayed back to back in the mounting box or Fence. Interior space between back to back communications faceplates is 3" in mounting box, or 3 7/8" in Fence applications. Extension kit accepts most standard, decorative communications faceplates. PDC module extension kit is injection molded black plastic.

Outlet fillers are a kit of ten plastic filler plates that flex to snap securely into any unused outlet opening in Antenna raceway covers, communications mounting box, or Fence outlets cover. Installed covers are designed to closely mimic the appearance of adjacent power outlets. Fillers are black injection molded plastic.



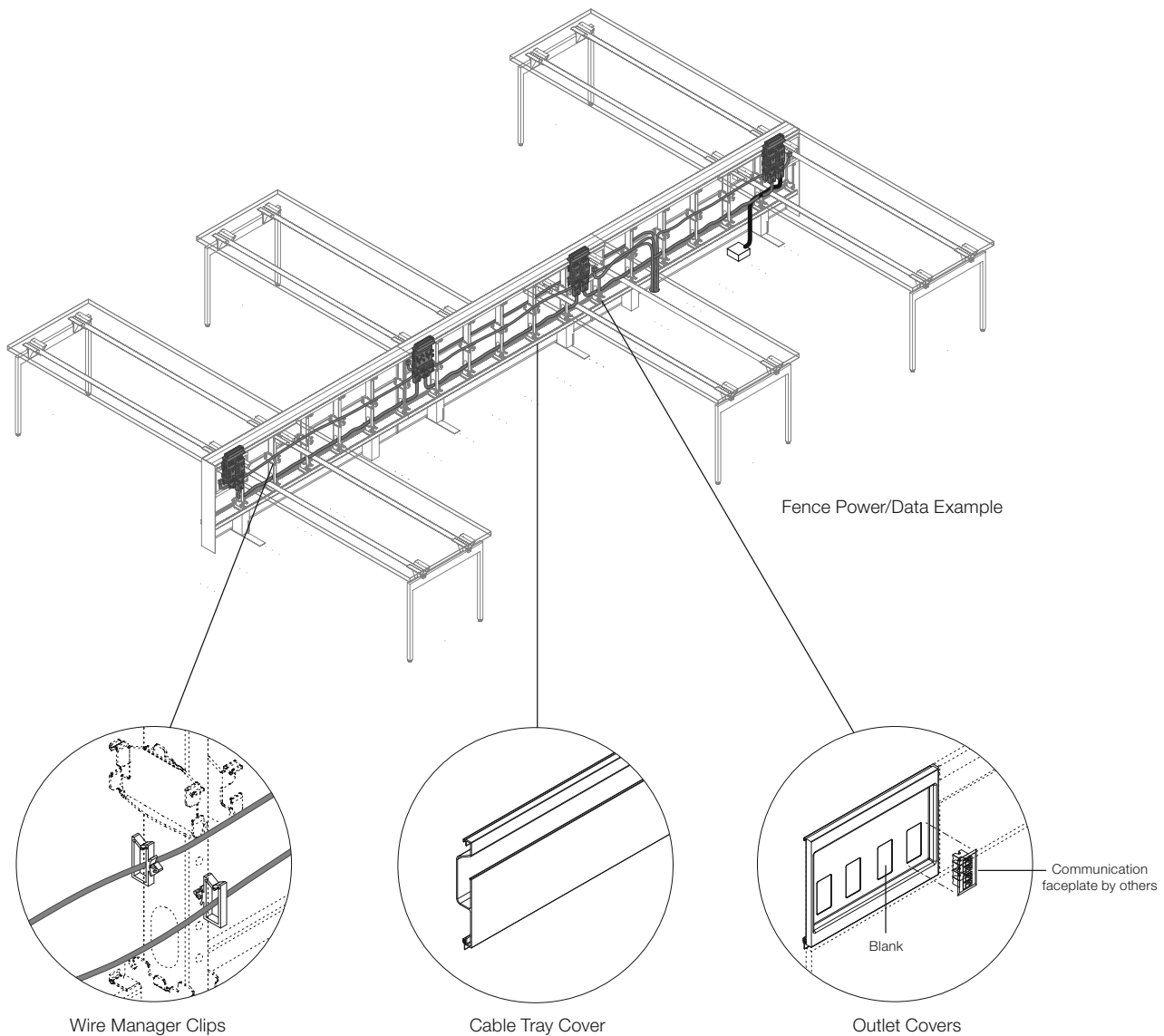
Fence Components

Construction

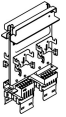
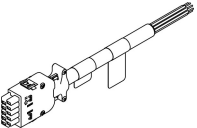
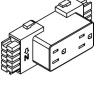

The 2+2 electrical system distributes four 20-amp circuits in eight wires suitable for uninterrupted power supply applications. 2+2 electrical is configured with two hot wires that have a shared ground and neutral and two other hot wires that have separate shared ground and neutrals. The 3+3 electrical system distributes six 20-amp circuits in ten wires suitable for uninterrupted power supply applications. 3+3 electrical is configured with three hot wires with a shared ground and neutral and three other hot wires that have separate shared ground and neutrals.

Specification Options

For outlet modules, jumpers and infeeds, specify either the 2+2 or 3+3 electrical system. When using the 2+2 electrical system, specify duplex receptacles for circuits A, B, X or Y. When using the 3+3 electrical system, specify duplex receptacles for circuits A, B, C, X, Y or Z. Duplex receptacles for all circuits are available with a black face. X, Y and Z circuits are also available with an orange face or a black face with an orange triangle.



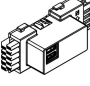
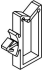
Electrical Components for Fence 2+2 and 3+3 Electrical Systems

description	type	w	d	h	pattern no.	list
Outlet Modules 	2+2, Upper Level	6"	3 1/2"	8 1/2"	YR1EOM	\$175.
	3+3, Upper Level	6"	3 1/2"	8 1/2"	YR1TOM	204.
Infeeds 	2+2 Hardwire Infeed for New York City	85"	2 1/8"	2 3/8"	YR1EPNY	449.
	2+2 Modular Base Infeed	85"	2 1/8"	2 3/8"	YR1EDPI	204.
	3+3 Hardwire Infeed for New York City	85"	2 1/8"	2 3/8"	YR1TPNY	473.
	3+3 Modular Base Infeed	85"	2 1/8"	2 3/8"	YR1TDPI	236.
Duplex Receptacles, Extended Face For Use With Fence 	Circuit A, black	1 1/2"	2"	4 1/2"	YR1XDA	47.
	Circuit A, black with controlled symbol	1 1/2"	2"	4 1/2"	YR1XDAC	47.
	Circuit B, black	1 1/2"	2"	4 1/2"	YR1XDB	47.
	Circuit B, black with controlled symbol	1 1/2"	2"	4 1/2"	YR1XDDB	47.
	Circuit C, black	1 1/2"	2"	4 1/2"	YR1XDC	47.
	Circuit C, black with controlled symbol	1 1/2"	2"	4 1/2"	YR1XDCC	47.
	Circuit X, black	1 1/2"	2"	4 1/2"	YR1XDX	47.
	Circuit X, black with controlled symbol	1 1/2"	2"	4 1/2"	YR1XDXC	47.
	Circuit X, black with orange triangle	1 1/2"	2"	4 1/2"	YR1XDXT	47.
	Circuit X, orange	1 1/2"	2"	4 1/2"	YR1XD XO	47.
	Circuit Y, black	1 1/2"	2"	4 1/2"	YR1XDY	47.
	Circuit Y, black with controlled symbol	1 1/2"	2"	4 1/2"	YR1XDYC	47.
	Circuit Y, black with orange triangle	1 1/2"	2"	4 1/2"	YR1XDYT	47.
	Circuit Y, orange	1 1/2"	2"	4 1/2"	YR1XDYO	47.
Circuit Z, black	1 1/2"	2"	4 1/2"	YR1XDZ	47.	
Circuit Z, black with controlled symbol	1 1/2"	2"	4 1/2"	YR1XDZC	47.	
Circuit Z, black with orange triangle	1 1/2"	2"	4 1/2"	YR1XDZT	47.	
Circuit Z, orange	1 1/2"	2"	4 1/2"	YR1XDZO	47.	
Outlet Fillers 	Package of 10	1 1/4"	1/4"	2 1/2"	YROF	36.
PDC Module Extension Kit	Package of 10				YR1PDCX	145.

Fence Components

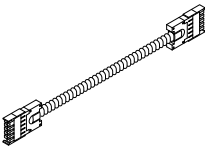
Ordering Information	Order Code	Included With	Options
Electrical Components 1. Pattern Number	Electrical Components <i>Example:</i> YR1EOM12 YR1EOM Outlet Module 12 Width	Electrical Components	Electrical Components

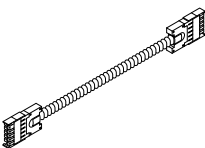
Electrical Components for Fence 2+2 and 3+3 Electrical Systems

description	type	w	d	h	pattern no.	list
 USB Duplex, Extended Face For Use With Fence	Circuit A, black	1 1/2"	2"	4 1/2"	YR1XUSBA	\$196.
	Circuit B, black	1 1/2"	2"	4 1/2"	YR1XUSBB	196.
	Circuit C, black	1 1/2"	2"	4 1/2"	YR1XUSBC	196.
	Circuit X, black	1 1/2"	2"	4 1/2"	YR1XUSBX	196.
	Circuit Y, black	1 1/2"	2"	4 1/2"	YR1XUSBY	196.
	Circuit Z, black	1 1/2"	2"	4 1/2"	YR1XUSBZ	196.
 Cable Clips for Wall Studs	Package of 100	1/4"	1/2"	1 1/2"	YR1PCC100	87.

Ordering Information	Order Code	Included With	Options
Electrical Components 1. Pattern Number	Electrical Components <i>Example:</i> YR1EOM12 YR1EOM Outlet Module 12 Width	Electrical Components	Electrical Components

Electrical Components for Fence 2+2 and 3+3 Electrical Systems

description	type	w	d	h	pattern no.	list
	For adjacent outlet modules behind one cover	18"	1"	1"	YR1EJ18	\$116.
	For outlets behind adjacent outlet covers	24"	1"	1"	YR1EJ24	123.
	For 12" between outlet covers	36"	1"	1"	YR1EJ36	138.
	For 24" between outlet covers	48"	1"	1"	YR1EJ48	160.
	For 36" between outlet covers	60"	1"	1"	YR1EJ60	176.
	For 48" between outlet covers	72"	1"	1"	YR1EJ72	193.
	For 60" between outlet covers	84"	1"	1"	YR1EJ84	213.
	For 72" between outlet covers	96"	1"	1"	YR1EJ96	229.
For 84" between outlet covers	108"	1"	1"	YR1EJ108	238.	

	For adjacent outlet modules behind one cover	18"	1"	1"	YR1TJ18	151.
	For outlets behind adjacent outlet covers	24"	1"	1"	YR1TJ24	160.
	For 12" between outlet covers	36"	1"	1"	YR1TJ36	180.
	For 24" between outlet covers	48"	1"	1"	YR1TJ48	208.
	For 36" between outlet covers	60"	1"	1"	YR1TJ60	229.
	For 48" between outlet covers	72"	1"	1"	YR1TJ72	250.
	For 60" between outlet covers	84"	1"	1"	YR1TJ84	278.
	For 72" between outlet covers	96"	1"	1"	YR1TJ96	299.
For 84" between outlet covers	108"	1"	1"	YR1TJ108	308.	

Fence Components

Ordering Information	Order Code	Included With	Options
Electrical Components 1. Pattern Number	Electrical Components <i>Example:</i> YR1TJ36 YR1TJ Jumper Cable 36 Width	Electrical Components	Electrical Components

Fence Upper Covers

Upper covers are nominal 9"H and mount only in the upper position of each face of the frame, ½" below and flush with the crown covers. Specifying the surface covers of the fence should begin by locating outlets covers and any functional surface covers—integral cable tray or slatwall. Other surface covers can be painted wood, laminate, or veneer. Covers attach using full width extrusions that hang from the top stud clips and snap onto the middle clips on the studs.

Outlet covers are 12" wide with a ½" deep recessed surface and four standard duplex outlet openings. Each outlet opening is oriented vertically and is sized to fit around a power outlet or standard Decora-size snap-in data/communications outlet. Hardwired outlet covers are also available when required by code.

Cable tray covers are designed to enable user-accessible cable management within the surface of the Fence between outlet covers. Slatwall has integral slots from which KnollExtra accessories can be hung from the surface of the Fence. Cable tray and slatwall covers are available in 12" widths up to 72".

Upper covers are also available with a painted or laminate finish in widths from 12"-72" or with a Techwood or natural veneer finish in widths from 12"-48". The grain direction is vertical for veneer covers.

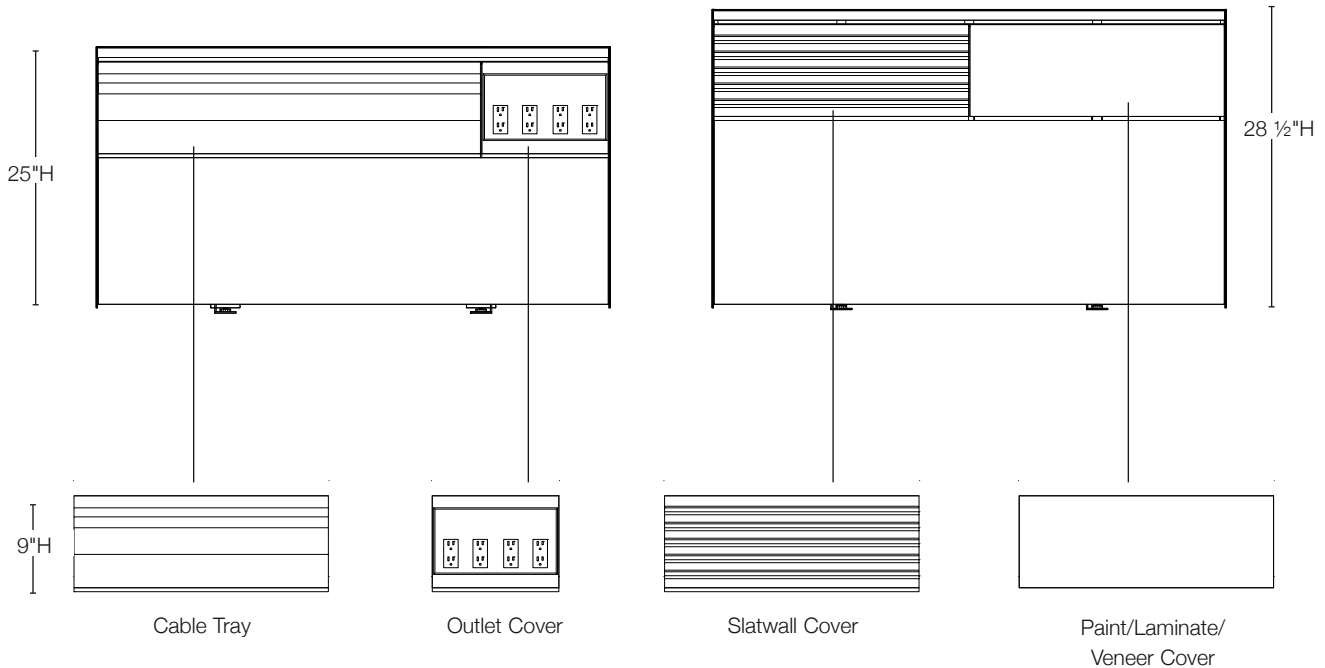
Construction

Modular outlet covers are constructed of injection molded plastic and hardwire outlet covers are formed steel. Cable trays and slatwall are extruded aluminum with integral top and bottom hook details. Painted, laminate and veneer upper covers have a ½" thick wood core with top and bottom aluminum extrusions to engage to the stud clips.

Specification Options

Outlet covers, cable tray, slatwall, and painted upper covers are available in any Knoll core paint finish. Laminate covers are available in any Knoll core laminate finish. Veneer covers are available in any Knoll core Techwood or natural veneer finish. Veneer and patterned laminate upper covers are only available in widths up to 48".

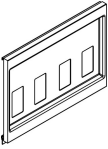
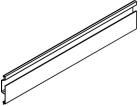
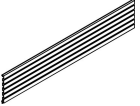
Elevation of Upper Covers for 25" and 28 ½" High Fence



Upper Covers

Outlet, Cable Tray and Slatwall Covers

For 25" or 28" High Fence

description	type	w	d	h	pattern no.	list
Upper Outlet Covers 	Modular	12"	1"	9"	YFCOC	\$47.
	Hardwire	12"	1"	9"	YFCHOC	118.
Upper Cable Tray Covers 		12"	1"	9"	YFC0912C	47.
		24"	1"	9"	YFC0924C	83.
		36"	1"	9"	YFC0936C	118.
		48"	1"	9"	YFC0948C	165.
		60"	1"	9"	YFC0960C	201.
		72"	1"	9"	YFC0972C	237.
Upper Slatwall Covers 		12"	1"	9"	YFC0912S	41.
		24"	1"	9"	YFC0924S	71.
		36"	1"	9"	YFC0936S	107.
		48"	1"	9"	YFC0948S	142.
		60"	1"	9"	YFC0960S	178.
		72"	1"	9"	YFC0972S	212.

Ordering Information

Upper Covers

1. Pattern Number
2. Paint Finish

Order Code

Upper Covers

Example: **YFCOC, 118T**

YFCOC Outlet Cover

118T Bright White Paint

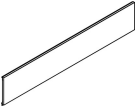
Included With

Upper Covers

Options

Upper Covers

Upper Covers
Painted
 For 25" or 28" High Fence

description	w	d	h	pattern no.	list
Upper Painted Covers	12"	3/4"	9"	YFC0912P	\$159.
	24"	3/4"	9"	YFC0924P	170.
	36"	3/4"	9"	YFC0936P	182.
	48"	3/4"	9"	YFC0948P	195.
	60"	3/4"	9"	YFC0960P	231.
	72"	3/4"	9"	YFC0972P	254.

Ordering Information

Painted Covers
 1. Pattern Number
 2. Paint Finish

Order Code

Painted Covers
Example: YFC0936P, 118T
YFC Fence Cover
09 Height
36 Width
P Painted
118T Bright White Paint

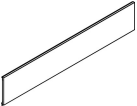
Included With

Painted Covers

Options


Painted Covers

Upper Covers
Laminate
For 25" or 28" High Fence

description	w	d	h	pattern no.	list
Upper Laminate Covers	12"	3/4"	9"	YFC0912L	\$170.
	24"	3/4"	9"	YFC0924L	195.
	36"	3/4"	9"	YFC0936L	218.
	48"	3/4"	9"	YFC0948L	243.
	60"	3/4"	9"	YFC0960L	315.
	72"	3/4"	9"	YFC0972L	340.

Ordering Information	Order Code	Included With	Options
Laminate Covers	Laminate Covers	Laminate Covers	Laminate Covers
1. Pattern Number	<i>Example:</i> YFC0936L, 118		
2. Laminate Finish	YFC Fence Cover		
	09 Height		
	36 Width		
	L Laminate		
	118 Bright White Laminate		

Upper Covers
Veneer
For 25" or 28" High Fence

description	w	d	h	pattern no.	V1	V2	V3
Upper Veneer Covers 	12"	3/4"	9"	YFC0912V	\$475.	\$548.	\$740.
	24"	3/4"	9"	YFC0924V	530.	608.	821.
	36"	3/4"	9"	YFC0936V	611.	703.	947.
	48"	3/4"	9"	YFC0948V	670.	770.	1,041.

Ordering Information

- Veneer Covers**
 1. Pattern Number
 2. Veneer Finish

Order Code

Veneer Covers	
<i>Example:</i> YFC0936V, Y316	
YFC	Fence Cover
09	Height
36	Width
V	Veneer
Y316	Maple

Included With

Veneer Covers

Options

Veneer Covers

Lower Covers

Planning Guidelines and Specifications

Fence Lower Covers

Lower covers fill the space below upper covers on Fence down to 1" above the floor level, which allows continuous cable entry/exit. Lower covers are planned in the lower section of Fence below upper covers and can be combined with adjacent full covers on the Fence. Lower covers attach using full width extrusions that hang from the middle position stud clips and snap onto the bottom position clips on the studs.

Specify 14" high lower covers for use with 25" high Fence and 17" high lower covers for use with 28 1/2" high Fence.

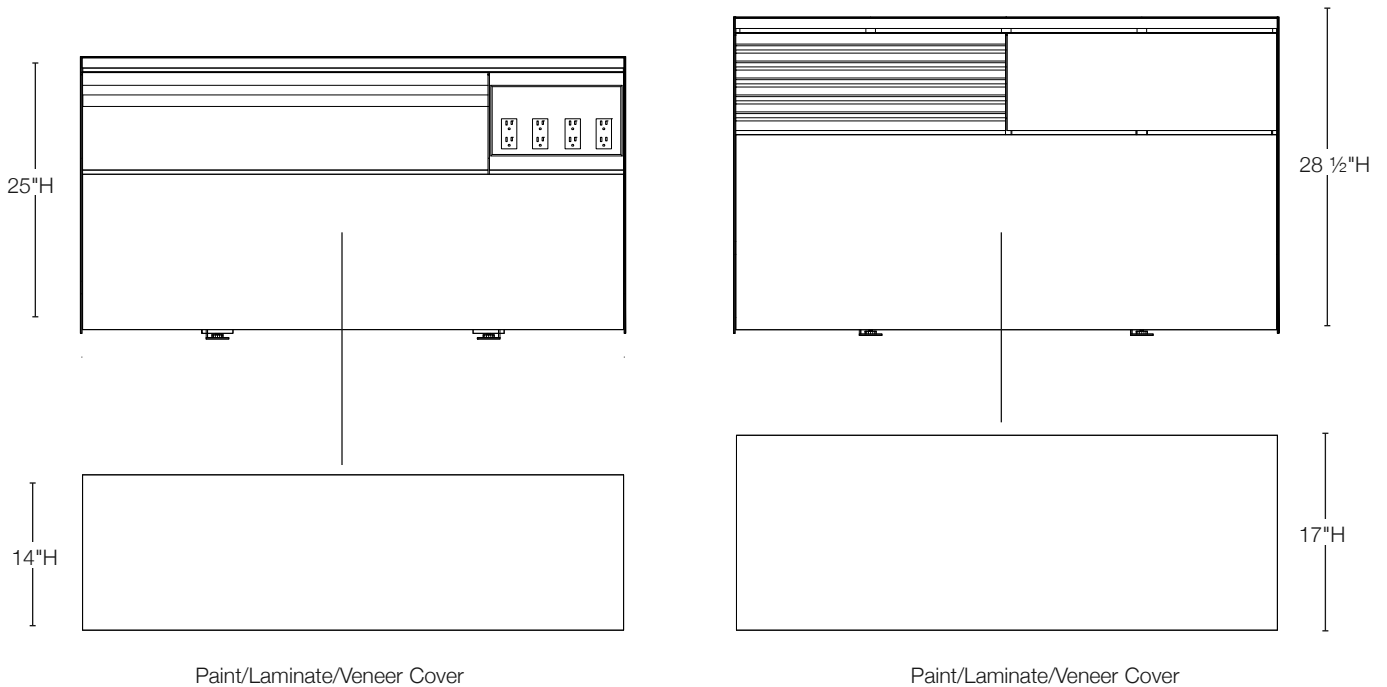
Construction

Painted, laminate and veneer upper covers have a 1/2" thick wood core with top and bottom aluminum extrusions to engage to the stud clips.

Specification Options

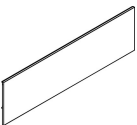
Painted upper covers are available in any Knoll core paint finish. Laminate covers are available in any Knoll core laminate finish. Veneer covers are available in any Knoll core Techwood or natural veneer finish. The grain direction is vertical for veneer covers. Veneer and patterned laminate upper covers are only available in widths up to 48".


Elevation of Lower Covers for 25" and 28 1/2" High Fence



Fence Components

Lower Covers
Painted
For 25" or 28" High Fence

description	w	d	h	pattern no.	list
Lower Painted Covers for 25" High Fence 	12"	3/4"	14"	YFC1412P	\$159.
	24"	3/4"	14"	YFC1424P	170.
	36"	3/4"	14"	YFC1436P	182.
	48"	3/4"	14"	YFC1448P	195.
	60"	3/4"	14"	YFC1460P	231.
	72"	3/4"	14"	YFC1472P	254.

Lower Painted Covers for 28" High Fence 	12"	3/4"	17"	YFC1712P	159.
	24"	3/4"	17"	YFC1724P	170.
	36"	3/4"	17"	YFC1736P	182.
	48"	3/4"	17"	YFC1748P	195.
	60"	3/4"	17"	YFC1760P	231.
	72"	3/4"	17"	YFC1772P	254.

Ordering Information

Painted Covers
 1. Pattern Number
 2. Paint Finish

Order Code

Painted Covers
Example: YFC1736P, 118T
YFC Fence Cover
17 Height
36 Width
P Painted
118T Bright White Paint

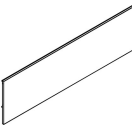
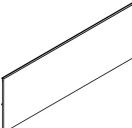
Included With

Painted Covers

Options

Painted Covers

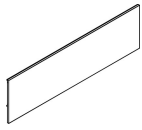
Lower Covers
Laminate
For 25" or 28" High Fence

description	w	d	h	pattern no.	list
Lower Laminate Covers for 25" High Fence 	12"	3/4"	14"	YFC1412L	\$170.
	24"	3/4"	14"	YFC1424L	195.
	36"	3/4"	14"	YFC1436L	218.
	48"	3/4"	14"	YFC1448L	243.
	60"	3/4"	14"	YFC1460L	315.
	72"	3/4"	14"	YFC1472L	340.
Lower Laminate Covers for 28" High Fence 	12"	3/4"	17"	YFC1712L	170.
	24"	3/4"	17"	YFC1724L	212.
	36"	3/4"	17"	YFC1736L	238.
	48"	3/4"	17"	YFC1748L	261.
	60"	3/4"	17"	YFC1760L	377.
	72"	3/4"	17"	YFC1772L	396.

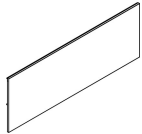
Ordering Information	Order Code	Included With	Options
Laminate Covers	Laminate Covers	Laminate Covers	Laminate Covers
1. Pattern Number	<i>Example:</i> YFC1736L, 118		
2. Laminate Finish	YFC Fence Cover		
	17 Height		
	36 Width		
	L Laminate		
	118 Bright White Laminate		

Lower Covers
Veneer
For 25" or 28" High Fence

description	w	d	h	pattern no.	V1	V2	V3
Lower Veneer Covers for 25" High Fence	12"	3/4"	14"	YFC1412V	\$495.	\$569.	\$768.
	24"	3/4"	14"	YFC1424V	562.	647.	873.
	36"	3/4"	14"	YFC1436V	651.	749.	1,011.
	48"	3/4"	14"	YFC1448V	712.	817.	1,104.



Lower Veneer Covers for 28" High Fence	12"	3/4"	17"	YFC1712V	501.	576.	778.
	24"	3/4"	17"	YFC1724V	573.	659.	889.
	36"	3/4"	17"	YFC1736V	664.	765.	1,031.
	48"	3/4"	17"	YFC1748V	735.	846.	1,142.



Ordering Information

Veneer Covers
 1. Pattern Number
 2. Veneer Finish

Order Code

Veneer Covers
Example: YFCO936V, Y316
YFC Fence Cover
09 Height
36 Width
V Veneer
Y316 Maple

Included With

Veneer Covers

Options

Veneer Covers

Full Covers

Planning Guidelines and Specifications

Fence Full Covers

Full covers fill the entire side of Fence, from the space below the crown down to 1" above the floor allowing continuous cable entry/exit. Full covers can be planned adjacent to any combination of upper and lower covers on Fence. Full covers attach using full width extrusions that hang from the top position stud clips and snap onto the bottom stud clips.

Specify 23" high full covers for use with 25" high Fence and 26" high full covers for use with 28 1/2" high Fence.

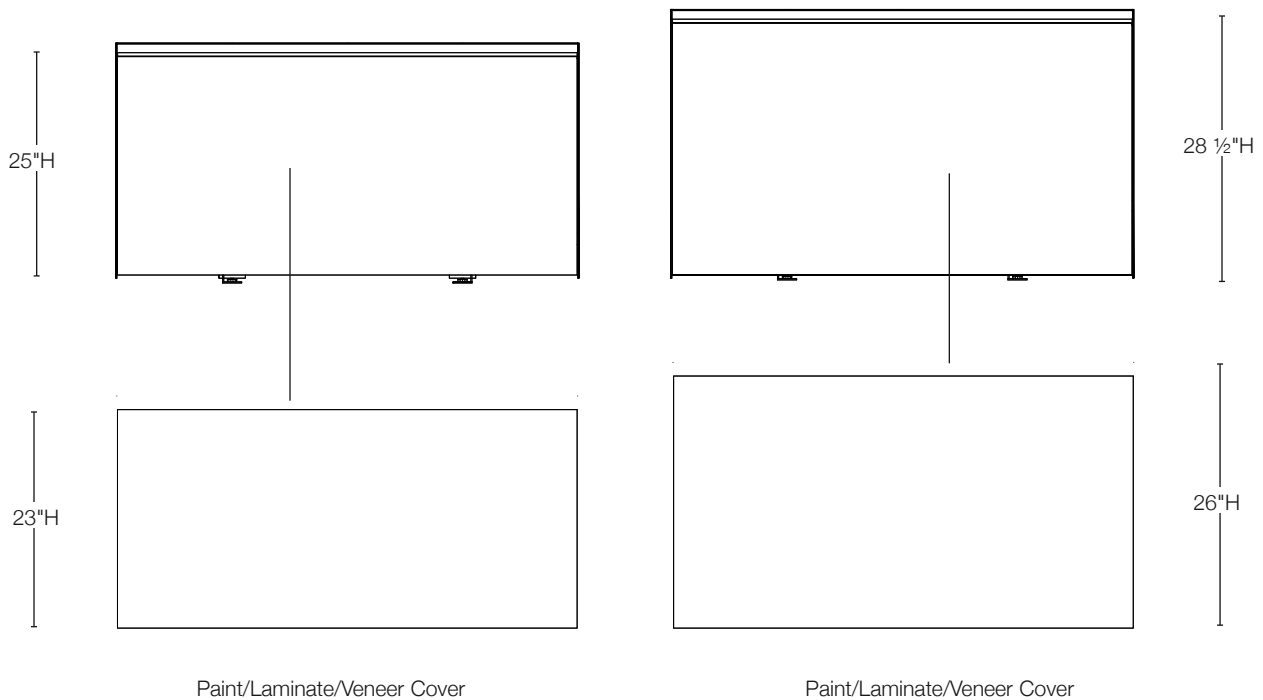
Construction

Painted, laminate and veneer full covers have a 1/2" thick wood core with top and bottom aluminum extrusions to engage to the stud clips.

Specification Options

Painted full covers are available in any Knoll core paint finish. Laminate full covers are available in any Knoll core laminate finish. Veneer full covers are available in any Knoll core Techwood or natural veneer finish. The grain direction is vertical for veneer covers. Veneer and patterned laminate upper covers are only available in widths up to 48".

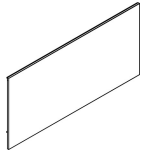
Elevation of Full Covers for 25" and 28 1/2" High Fence



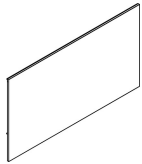
Fence Components

Full Covers
Painted
 For 25" or 28" High Fence

description	w	d	h	pattern no.	list
Full Painted Covers for 25" High Fence	24"	3/4"	23"	YFC2324NP	\$176.
	36"	3/4"	23"	YFC2336NP	188.
	48"	3/4"	23"	YFC2348NP	201.
	60"	3/4"	23"	YFC2360NP	243.
	72"	3/4"	23"	YFC2372NP	268.



Full Painted Covers for 28" High Fence	24"	3/4"	26"	YFC2624NP	176.
	36"	3/4"	26"	YFC2636NP	188.
	48"	3/4"	26"	YFC2648NP	201.
	60"	3/4"	26"	YFC2660NP	243.
	72"	3/4"	26"	YFC2672NP	268.



Ordering Information

Painted Covers

1. Pattern Number
2. Paint Finish

Order Code

Painted Covers

Example: **YFC2636NP, 118T**

YFC2 Fence Cover

26 Height

36 Width

N No outlets

P Painted

118T Bright White Paint

Included With

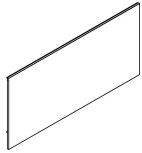
Painted Covers

Options

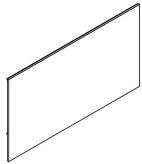
Painted Covers

Full Covers
Laminate
For 25" or 28" High Fence

description	w	d	h	pattern no.	list
Full Laminate Covers for 25" High Fence	24"	3/4"	23"	YFC2324NL	\$254.
	36"	3/4"	23"	YFC2336NL	280.
	48"	3/4"	23"	YFC2348NL	315.
	60"	3/4"	23"	YFC2360NL	402.
	72"	3/4"	23"	YFC2372NL	438.



Full Laminate Covers for 28" High Fence	24"	3/4"	26"	YFC2624NL	254.
	36"	3/4"	26"	YFC2636NL	280.
	48"	3/4"	26"	YFC2648NL	315.
	60"	3/4"	26"	YFC2660NL	402.
	72"	3/4"	26"	YFC2672NL	487.



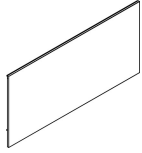
Ordering Information	Order Code	Included With	Options
Laminate Covers	Laminate Covers	Laminate Covers	Laminate Covers
1. Pattern Number	<i>Example:</i> YFC2636NL, 118		
2. Laminate Finish	YFC2 Fence Cover		
	26 Height		
	36 Width		
	N No outlets		
	L Laminate		
	118 Bright White Laminate		

Full Covers

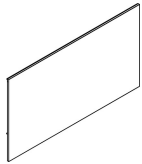
Veneer

For 25" or 28" High Fence

description	w	d	h	pattern no.	V1	V2	V3
Full Veneer Covers for 25" High Fence	24"	3/4"	23"	YFC2324NV	\$594.	\$683.	\$924.
	36"	3/4"	23"	YFC2336NV	693.	799.	1,079.
	48"	3/4"	23"	YFC2348NV	770.	886.	1,196.



Full Veneer Covers for 28" High Fence	24"	3/4"	26"	YFC2624NV	604.	694.	963.
	36"	3/4"	26"	YFC2636NV	713.	819.	1,105.
	48"	3/4"	26"	YFC2648NV	788.	905.	1,224.



Ordering Information

Veneer Covers

1. Pattern Number
2. Veneer Finish

Order Code

Veneer Covers

Example: **YFC2636NV, Y316**

YFC2 Fence Cover

26 Height

36 Width

N No outlets

V Veneer

Y316 Maple

Included With

Veneer Covers

Options

Veneer Covers

Antenna Screens

Antenna screens provide partial enclosure for workspaces to a horizon of 42"—seated visual access—or 49"—seated visual privacy, in four applications: desk mounted, floorstanding desk mounted, big table-mounted, and fence-mounted. In each application screens are available in a variety of surface finishes for aesthetics, performance and price point.

Desk Screens

Desk mounted screens provide enclosure both above and below the top, starting from either 10 1/2" or 22 1/2" above the floor. The 10 1/2" starting point aligns with the bottom of suspended files or cabinets. The 22 1/2" starting point aligns with the bottom of the horizontal element of a standard desk leg. Desk mounted screens attach directly to the back or end of a desk top with two brackets that also define a 1 1/4" offset for wire management and clamp-on accessories. Brackets are located 3 1/2" from each end of screens 24"-30" wide and 12" from each

end of screens 36" and wider. Brackets will not interfere with standard leg cradles or rails but screens cannot be mounted at the end of desks with table desk end legs. Desk mounted screens cannot be mounted directly behind full depth floorstanding pedestals.

Desk mounted screens are not compatible with single sided big tables.

Screens are available in widths corresponding to standard top depths 24", 27", 30" and desk widths from 36"-72" wide in 6" increments. In most applications screens can be mounted to matching width or wider tops. In back-to-back desk configurations screens cannot overlap back to back desk end legs.

Two types of screens are available:

- Frameless laminate, marker surface or veneer screens are 3/4" thick with matching edge and crisp, eased corners.
- Fabric screens are 1 1/4" thick, with painted perimeter frame capturing a wood structural core and tackable, fabric wrapped inserts on each face.

Construction

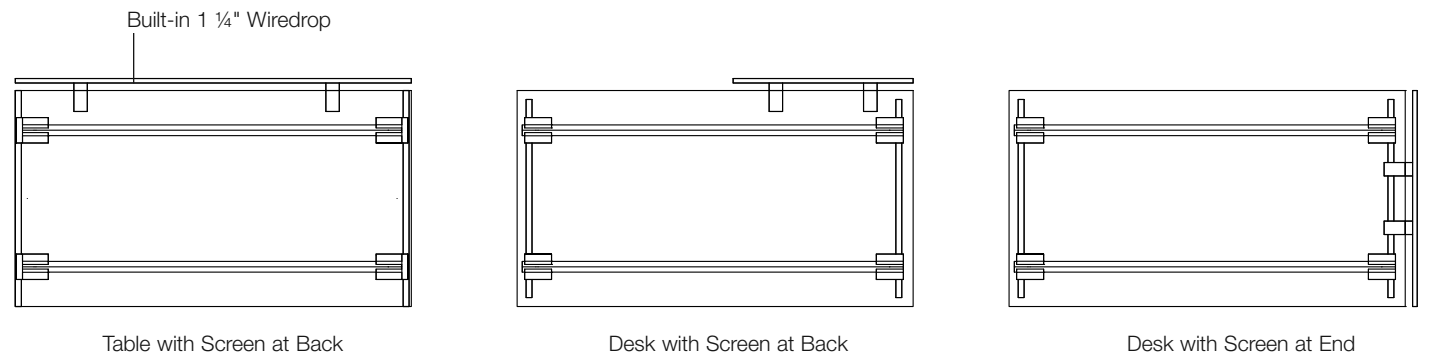
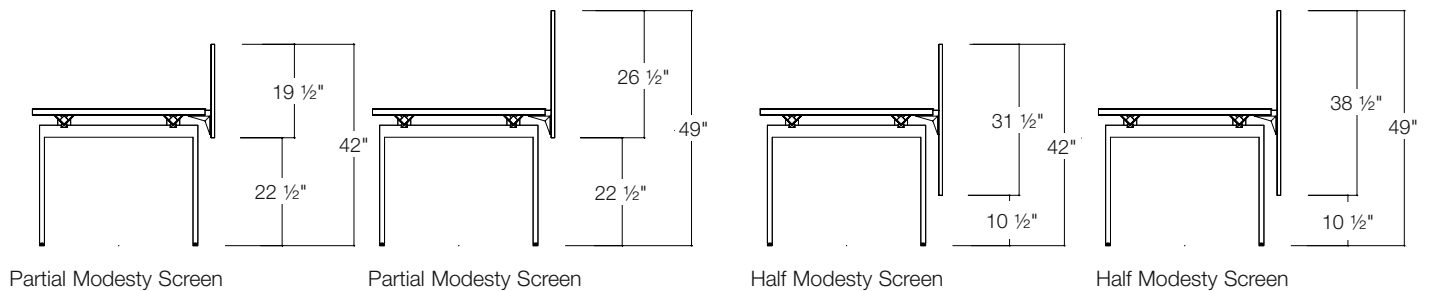
Frameless screens are 3/4" MDF construction, with threaded inserts at bracket locations.

Fabric screens have a 1/2" MDF core, with 3/8" thick tackable PET material inserts on each side wrapped in fabric, and aluminum perimeter frame with seamless corners. Fabric screens have threaded metal inserts at bracket locations.

Specification Options

For frameless screens specify surface type: laminate (L) or veneer (V); finish, any core laminate or dry-erase marker surface (M), or any core Techwood or natural veneer. Brushed Sand (122) and Brushed Grey (123) are not available on laminate screens. Also specify bracket color, in any core paint finish.

For fabric screens specify fabric, perimeter frame and brackets painted finishes.

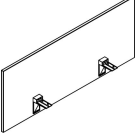
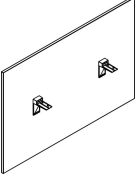


Screens

Desk Screens

Fabric

For 42" High Horizon

description	w	d	h	pattern no.	10	20	30	40	45
Fabric Screens with Partial Modesty For Desks, 42" High Horizon 	24"	1 1/4"	20"	YPSB2024F	\$638.	\$670.	\$703.	\$734.	\$765.
	27"	1 1/4"	20"	YPSB2027F	657.	688.	721.	754.	787.
	30"	1 1/4"	20"	YPSB2030F	674.	709.	742.	776.	809.
	36"	1 1/4"	20"	YPSB2036F	751.	788.	826.	863.	900.
	42"	1 1/4"	20"	YPSB2042F	780.	819.	857.	897.	936.
	48"	1 1/4"	20"	YPSB2048F	803.	844.	884.	924.	964.
	54"	1 1/4"	20"	YPSB2054F	863.	906.	948.	993.	1,035.
	60"	1 1/4"	20"	YPSB2060F	916.	962.	1,008.	1,054.	1,099.
	66"	1 1/4"	20"	YPSB2066FRR	958.	1,006.	1,054.	1,101.	1,148.
	72"	1 1/4"	20"	YPSB2072FRR	987.	1,036.	1,087.	1,134.	1,185.
Fabric Screens with Half Modesty For Desks, 42" High Horizon 	24"	1 1/4"	32"	YPSB3224F	740.	776.	813.	850.	887.
	27"	1 1/4"	32"	YPSB3227F	792.	832.	871.	912.	949.
	30"	1 1/4"	32"	YPSB3230F	816.	856.	897.	938.	979.
	36"	1 1/4"	32"	YPSB3236F	922.	968.	1,014.	1,060.	1,105.
	42"	1 1/4"	32"	YPSB3242F	975.	1,024.	1,072.	1,122.	1,170.
	48"	1 1/4"	32"	YPSB3248F	981.	1,030.	1,079.	1,129.	1,177.
	54"	1 1/4"	32"	YPSB3254F	1,063.	1,117.	1,170.	1,223.	1,276.
	60"	1 1/4"	32"	YPSB3260F	1,152.	1,211.	1,268.	1,325.	1,382.
	66"	1 1/4"	32"	YPSB3266FRR	1,311.	1,378.	1,443.	1,509.	1,574.
	72"	1 1/4"	32"	YPSB3272FRR	1,382.	1,452.	1,521.	1,590.	1,658.

Ordering Information

Desk Screens

1. Pattern Number
2. Inside Fabric Finish
3. Outside Fabric Finish
4. Frame Paint Finish
5. Bracket Paint Finish

Order Code

Desk Screens

Example: **YPSB2048F, W351, 118T, 118T**

YPSB	Desk Screen
20	Height
48	Width
F	Fabric
W351	Foundation
W351	Foundation
118T	Bright White Paint
118T	Bright White Paint

Included With

Desk Screens
 Brackets
 Hardware

Options

Desk Screens

The price of screens specified with a combination of fabrics is the higher of the two fabric grades.

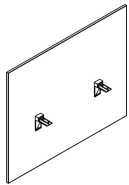
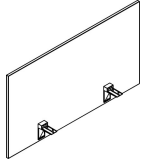
(RR) Fabric is applied railroaded

Desk Screens

Fabric

For 49" High Horizon

description	w	d	h	pattern no.	10	20	30	40	45
Fabric Screens with Partial Modesty For Desks, 49" High Horizon	24"	1 1/4"	26"	YPSB2624F	\$697.	\$732.	\$766.	\$802.	\$836.
	27"	1 1/4"	26"	YPSB2627F	726.	762.	800.	835.	872.
	30"	1 1/4"	26"	YPSB2630F	745.	783.	819.	856.	894.
	36"	1 1/4"	26"	YPSB2636F	833.	874.	917.	959.	1,000.
	42"	1 1/4"	26"	YPSB2642F	874.	918.	962.	1,006.	1,051.
	48"	1 1/4"	26"	YPSB2648F	939.	987.	1,033.	1,080.	1,128.
	54"	1 1/4"	26"	YPSB2654F	1,005.	1,056.	1,104.	1,155.	1,207.
	60"	1 1/4"	26"	YPSB2660F	1,048.	1,098.	1,151.	1,204.	1,256.
	66"	1 1/4"	26"	YPSB2666FRR	1,094.	1,147.	1,204.	1,258.	1,311.
	72"	1 1/4"	26"	YPSB2672FRR	1,141.	1,196.	1,256.	1,311.	1,369.
Fabric Screens with Half Modesty For Desks, 49" High Horizon	24"	1 1/4"	38"	YPSB3824F	798.	838.	878.	917.	958.
	27"	1 1/4"	38"	YPSB3827F	856.	899.	942.	986.	1,028.
	30"	1 1/4"	38"	YPSB3830F	880.	924.	969.	1,012.	1,057.
	36"	1 1/4"	38"	YPSB3836F	1,005.	1,056.	1,104.	1,155.	1,207.
	42"	1 1/4"	38"	YPSB3842F	1,063.	1,117.	1,170.	1,223.	1,276.
	48"	1 1/4"	38"	YPSB3848F	1,146.	1,206.	1,261.	1,317.	1,376.
	54"	1 1/4"	38"	YPSB3854F	1,207.	1,266.	1,326.	1,385.	1,446.
	60"	1 1/4"	38"	YPSB3860F	1,270.	1,335.	1,398.	1,462.	1,524.
	66"	1 1/4"	38"	YPSB3866FRR	1,424.	1,495.	1,567.	1,638.	1,708.
	72"	1 1/4"	38"	YPSB3872FRR	1,501.	1,577.	1,651.	1,726.	1,803.



Ordering Information

Desk Screens

1. Pattern Number
2. Inside Fabric Finish
3. Outside Fabric Finish
4. Frame Paint Finish
5. Bracket Paint Finish

Order Code

Desk Screens

Example: **YPSB2648F, W351, 118T, 118T**

YPSB	Desk Screen
26	Height
48	Width
F	Fabric
W351	Foundation
W351	Foundation
118T	Bright White Paint
118T	Bright White Paint

Included With

Desk Screens
Brackets
Hardware

Options

Desk Screens

The price of screens specified with a combination of fabrics is the higher of the two fabric grades.

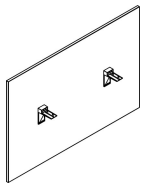
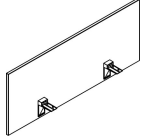
(RR) Fabric is applied railroaded

Desk Screens

Laminate, Markerboard or Veneer

For 42" High Horizon

description	w	d	h	pattern no.	Laminate (L)	Markerboard (LM)	V1 (V)	V2 (V)	V3 (V)
Screens with Partial Modesty For Desks, 42" High Horizon	24"	3/4"	20"	YPSB2024()	\$261.	\$451.	\$501.	\$576.	\$749.
	27"	3/4"	20"	YPSB2027()	266.	456.	510.	588.	763.
	30"	3/4"	20"	YPSB2030()	268.	458.	522.	600.	782.
	36"	3/4"	20"	YPSB2036()	301.	579.	545.	626.	816.
	42"	3/4"	20"	YPSB2042()	307.	584.	586.	673.	874.
	48"	3/4"	20"	YPSB2048()	397.	935.	613.	705.	914.
	54"	3/4"	20"	YPSB2054()	405.	941.	634.	730.	948.
	60"	3/4"	20"	YPSB2060()	410.	947.	686.	789.	1,027.
	66"	3/4"	20"	YPSB2066()	417.	955.	717.	825.	1,071.
	72"	3/4"	20"	YPSB2072()	423.	961.	741.	851.	1,104.
Screens with Half Modesty For Desks, 42" High Horizon	24"	3/4"	32"	YPSB3224()	293.	692.	582.	668.	870.
	27"	3/4"	32"	YPSB3227()	299.	697.	606.	698.	909.
	30"	3/4"	32"	YPSB3230()	340.	703.	625.	719.	935.
	36"	3/4"	32"	YPSB3236()	400.	938.	662.	760.	989.
	42"	3/4"	32"	YPSB3242()	410.	947.	725.	834.	1,086.
	48"	3/4"	32"	YPSB3248()	432.	1,643.	760.	874.	1,138.
	54"	3/4"	32"	YPSB3254()	440.	1,651.	803.	924.	1,202.
	60"	3/4"	32"	YPSB3260()	600.	1,657.	887.	1,019.	1,325.
	66"	3/4"	32"	YPSB3266()	613.	1,667.	930.	1,068.	1,388.
	72"	3/4"	32"	YPSB3272()	621.	1,679.	964.	1,107.	1,442.



Ordering Information

Desk Screens

1. Pattern Number
2. Surface Finish
3. Bracket Paint Finish

Order Code

Desk Screens

Example: **YPSB2048V, V316, 118T**

YPSB Desk Screen

20 Height

48 Width

V Veneer

V316 Maple

118T Bright White Paint

Included With

Desk Screens

Brackets
Hardware

Options

Desk Screens

Finish Options:

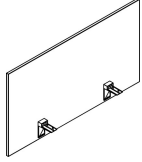
(L)= Laminate
(LM)= Markerboard
(V)= Veneer

Desk Screens

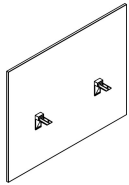
Laminate, Markerboard or Veneer

For 49" High Horizon

description	w	d	h	pattern no.	Laminate (L)	Markerboard (LM)	V1 (V)	V2 (V)	V3 (V)
Screens with Partial Modesty For Desks, 49" High Horizon	24"	3/4"	26"	YPSB2624()	\$285.	\$685.	\$555.	\$639.	\$831.
	27"	3/4"	26"	YPSB2627()	289.	690.	569.	656.	852.
	30"	3/4"	26"	YPSB2630()	294.	693.	593.	683.	888.
	36"	3/4"	26"	YPSB2636()	302.	703.	623.	716.	932.
	42"	3/4"	26"	YPSB2642()	346.	711.	675.	776.	1,008.
	48"	3/4"	26"	YPSB2648()	379.	1,629.	712.	819.	1,064.
	54"	3/4"	26"	YPSB2654()	386.	1,638.	742.	851.	1,106.
	60"	3/4"	26"	YPSB2660()	408.	1,644.	825.	948.	1,232.
	66"	3/4"	26"	YPSB2666()	416.	1,653.	854.	982.	1,277.
	72"	3/4"	26"	YPSB2672()	534.	1,658.	884.	1,017.	1,321.



Screens with Half Modesty For Desks, 49" High Horizon	24"	3/4"	38"	YPSB3824()	339.	703.	621.	714.	928.
	27"	3/4"	38"	YPSB3827()	344.	708.	642.	740.	960.
	30"	3/4"	38"	YPSB3830()	348.	713.	663.	761.	990.
	36"	3/4"	38"	YPSB3836()	412.	948.	714.	820.	1,067.
	42"	3/4"	38"	YPSB3842()	425.	961.	785.	902.	1,174.
	48"	3/4"	38"	YPSB3848()	528.	1,654.	827.	951.	1,236.
	54"	3/4"	38"	YPSB3854()	541.	1,666.	877.	1,008.	1,310.
	60"	3/4"	38"	YPSB3860()	621.	1,679.	989.	1,137.	1,478.
	66"	3/4"	38"	YPSB3866()	631.	1,690.	1,038.	1,194.	1,553.
	72"	3/4"	38"	YPSB3872()	643.	1,701.	1,082.	1,243.	1,616.



Ordering Information

Desk Screens

1. Pattern Number
2. Surface Finish
3. Bracket Paint Finish

Order Code

Desk Screens

Example: **YPSB2648V, V316, 118T**

YPSB Desk Screen

26 Height

48 Width

V Veneer

V316 Maple

118T Bright White Paint

Included With

Desk Screens

Brackets
Hardware

Options

Desk Screens

Finish Options:

(L)= Laminate
(LM)= Markerboard
(V)= Veneer

Big Table Screens

Planning Guidelines and Specifications

Big Table Screens

Big table center screens provide enclosure above the center of a dual or single sided big table to a horizon of 42" or 49", which aligns with upmounted storage cabinets. Big table mounted screens have wedge shape brackets to friction-fit into the center beam at any point.

Screens are available from 24"-72" wide in 6" increments.

Two types of screens are available:

- Frameless laminate, marker surface, veneer or glass screens are 1/2" thick with matching edge and crisp, eased corners. Base fits flush with top of center beam.
- Fabric screens are 1 1/4" thick, with painted perimeter frame capturing a wood structural core and tackable, fabric wrapped inserts on each face.

Construction

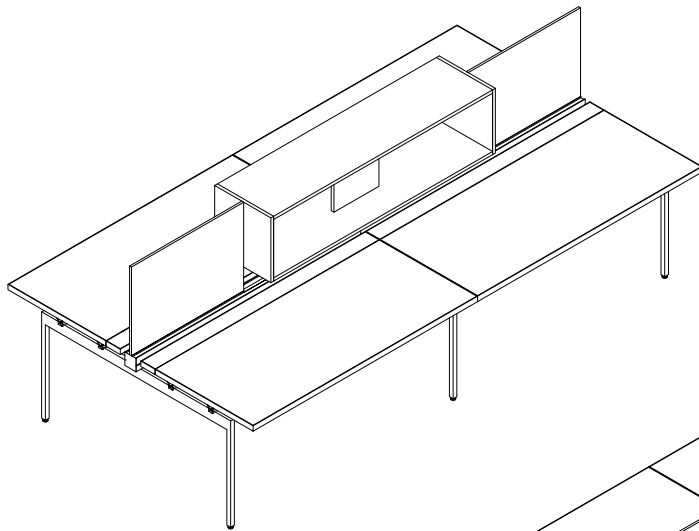
Frameless laminate or veneer screens are 1/2" MDF construction. Frameless glass screens are 1/2" tempered glass with polished edges.

Fabric screens have a 1/2" MDF core, with 3/8" thick tackable PET material inserts on each side wrapped in fabric, and aluminum perimeter frame with seamless corners.

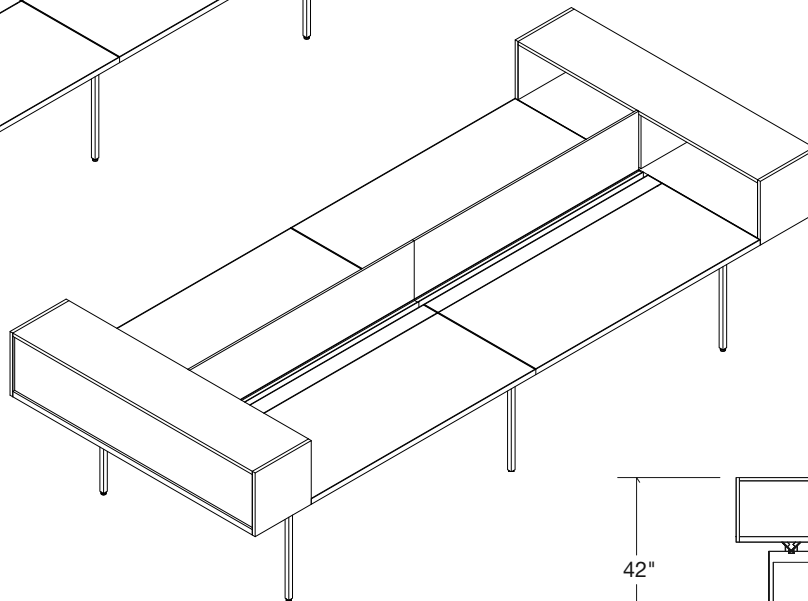
Specification Options

For frameless screens specify surface type: laminate (L) or veneer (V) or glass (G); finish, any core laminate or dry-erase marker surface (M), any core Techwood or natural veneer, or core glass finishes. Brushed Sand (122) and Brushed Grey (123) are not available on laminate screens. Also specify base color, in any core paint finish.

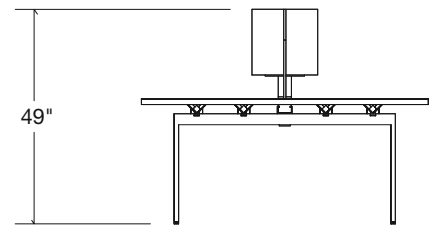
For fabric screens specify fabric, perimeter frame and brackets painted finishes.



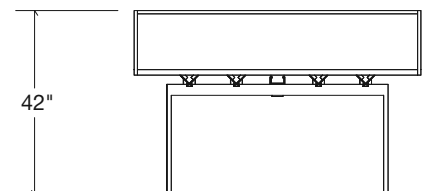
Big Table with 49"H Screens and Stanchion Mounted Cabinets



Big Table with 42"H Screens and Above Big Table Extension Cabinets



Big Table with 49"H Screens
End Elevation

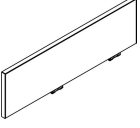


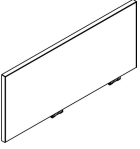
Big Table with 42"H Screens
End Elevation

Big Table Screens

Fabric

For 42" or 49" High Horizon

description	w	d	h	pattern no.	10	20	30	40	45
Fabric Screens For Big Table Center Beam, 42" High Horizon 	24"	1 1/4"	14"	YPSC1424F	\$555.	\$584.	\$613.	\$639.	\$666.
	30"	1 1/4"	14"	YPSC1430F	580.	608.	637.	666.	694.
	36"	1 1/4"	14"	YPSC1436F	626.	659.	688.	720.	752.
	42"	1 1/4"	14"	YPSC1442F	650.	683.	715.	749.	780.
	48"	1 1/4"	14"	YPSC1448F	691.	725.	760.	795.	830.
	54"	1 1/4"	14"	YPSC1454F	715.	751.	787.	822.	857.
	60"	1 1/4"	14"	YPSC1460F	732.	770.	805.	843.	879.
	66"	1 1/4"	14"	YPSC1466FRR	775.	813.	852.	891.	930.
72"	1 1/4"	14"	YPSC1472FRR	816.	856.	897.	938.	979.	

Fabric Screens For Big Table Center Beam, 49" High Horizon 	24"	1 1/4"	21"	YPSC2124F	616.	645.	676.	708.	737.
	30"	1 1/4"	21"	YPSC2130F	644.	676.	710.	742.	774.
	36"	1 1/4"	21"	YPSC2136F	732.	770.	805.	843.	879.
	42"	1 1/4"	21"	YPSC2142F	769.	806.	845.	884.	922.
	48"	1 1/4"	21"	YPSC2148F	792.	832.	871.	912.	949.
	54"	1 1/4"	21"	YPSC2154F	827.	869.	911.	951.	993.
	60"	1 1/4"	21"	YPSC2160F	863.	906.	948.	993.	1,035.
	66"	1 1/4"	21"	YPSC2166FRR	934.	981.	1,027.	1,073.	1,121.
72"	1 1/4"	21"	YPSC2172FRR	981.	1,030.	1,079.	1,129.	1,177.	

Ordering Information

Big Table Screens

1. Pattern Number
2. Fabric Finish
3. Frame Paint Finish

Order Code

Big Table Screens

Example: **YPSC1448F, W351, 118T**

YPSC	Big Table Center Screen
14	Height
48	Width
F	Fabric
W351	Foundation
118T	Bright White Paint

Included With

Big Table Screens

Brackets
Hardware

Options

Big Table Screens


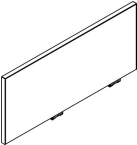
The price of screens specified with a combination of fabrics is the higher of the two fabric grades.

(RR) Fabric is applied railroaded.

Big Table Screens

Laminate, Markerboard, Veneer or Glass

For 42" or 49" High Horizon

description	w	d	h	pattern no.	Laminate (L)	Markerboard (LM)	V1 (V)	V2 (V)	V3 (V)	Clear Glass (GTEMP)	Powder Glass (GGL13)	Grey Tinted Glass (GGL35)
Screens For Big Table Center Beam, 42" High Horizon 	24"	1/2"	14"	YPSC1424()	\$201.	\$277.	\$518.	\$620.	\$805.	\$302.	\$461.	\$581.
	30"	1/2"	14"	YPSC1430()	220.	294.	556.	674.	904.	363.	560.	713.
	36"	1/2"	14"	YPSC1436()	245.	376.	576.	707.	979.	411.	651.	833.
	42"	1/2"	14"	YPSC1442()	273.	391.	616.	758.	1,078.	480.	760.	975.
	48"	1/2"	14"	YPSC1448()	346.	637.	633.	793.	1,155.	533.	851.	1,096.
	54"	1/2"	14"	YPSC1454()	365.	652.	679.	852.	1,260.	591.	949.	1,234.
	60"	1/2"	14"	YPSC1460()	380.	667.	723.	913.	1,364.	648.	1,050.	1,355.
	66"	1/2"	14"	YPSC1466()	399.	679.	755.	959.	1,458.	715.	1,158.	1,497.
	72"	1/2"	14"	YPSC1472()	414.	687.	780.	997.	1,534.	769.	1,247.	1,613.
Screens For Big Table Center Beam, 49" High Horizon 	24"	1/2"	21"	YPSC2124()	226.	357.	555.	683.	947.	365.	584.	792.
	30"	1/2"	21"	YPSC2130()	245.	376.	591.	740.	1,065.	437.	712.	969.
	36"	1/2"	21"	YPSC2136()	280.	497.	618.	787.	1,177.	501.	830.	1,140.
	42"	1/2"	21"	YPSC2142()	308.	512.	679.	869.	1,321.	582.	966.	1,326.
	48"	1/2"	21"	YPSC2148()	350.	874.	706.	916.	1,435.	644.	1,083.	1,497.
	54"	1/2"	21"	YPSC2154()	398.	891.	748.	977.	1,561.	716.	1,210.	1,681.
	60"	1/2"	21"	YPSC2160()	444.	906.	789.	1,042.	1,688.	787.	1,336.	1,853.
	66"	1/2"	21"	YPSC2166()	465.	920.	836.	1,112.	1,823.	867.	1,475.	2,050.
	72"	1/2"	21"	YPSC2172()	480.	931.	874.	1,170.	1,935.	931.	1,589.	2,208.

Ordering Information

Big Table Screens

1. Pattern Number
2. Surface Finish
3. Bracket Paint Finish

Order Code

Big Table Screens

Example: **YPSC1448V, V316, 118T**

YPSC	Big Table Center Screen
14	Height
48	Width
V	Veneer
V316	Maple
118T	Bright White Paint

Included With

Big Table Screens

Brackets
Hardware

Options

Big Table Screens

Finish Options:

- (L) = Laminate
- (LM) = Markerboard
- (V) = Veneer
- (GTEMP) = Clear Glass
- (GGL13) = Powder Glass
- (GGL35) = Grey Tinted Glass

Intermediate Screens

Planning and Specification Guidelines

Intermediate screens are designed to plan anywhere along Antenna big tables or linked desk configurations to delineate individual workspaces.

Intermediate screens include a painted aluminum desktop mounting bracket that supports framed, tackable fabric or frameless glass, veneer, laminate or marker surface to a horizon of 42" or 49".

Intermediate screen brackets do not permit screen mount within 1 1/2" of end of desktop, or in combination with end panels.

Intermediate screens are available for two planning applications: full depth and hinged access depth.

Full depth intermediate screens correspond to Antenna top depths, 18", 24", 27", 30", 36", and attach with a clamp bracket around the front and back edges of the top.

Intermediate screens for hinged access tops, 16", 19", 22", are 8" less deep than hinged tops to enable full use of hinge feature. They attach with a clamp bracket around the front edge of the top and a non-skid pad on the top.

Construction

Fabric screens are 1 1/4" thick, with perimeter extruded aluminum frame, extruded aluminum base frame, cast aluminum clamp brackets and cast aluminum bayonets. Tackable fabric surfaces are 3/8" thick PET core, on either side of 1/2" thick particle board.

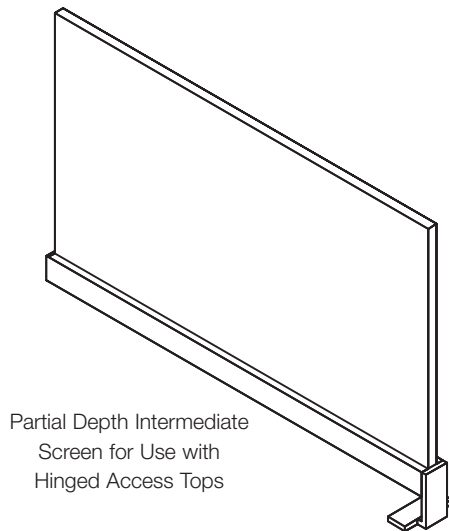
Laminate, veneer and glass screens are 1/2" thick, frameless, with a 1 1/4" high x 1 1/4" wide extruded aluminum base frame and cast aluminum clamp brackets.

Specification Options

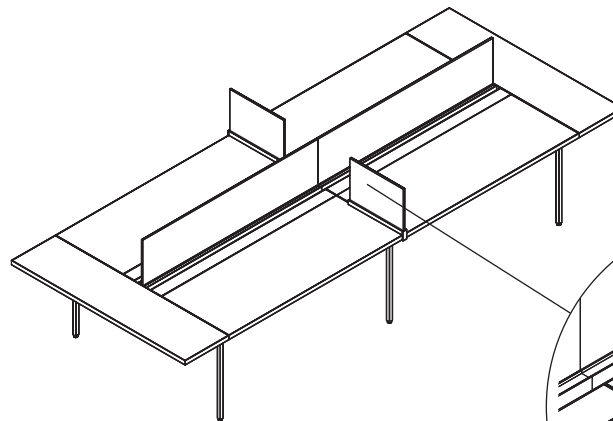
For fabric screens, specify with an Antenna approved textile. Specify perimeter frame in any Knoll Core paint finish.

For frameless screens, specify surface type: laminate (L) or veneer (V) or glass (G) finish in any Knoll Core laminate or marker surface (M), any Core Techwood or natural veneer, or Core glass finishes.

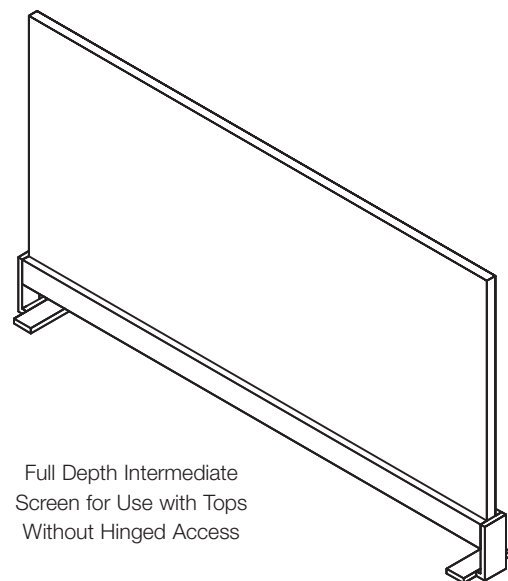
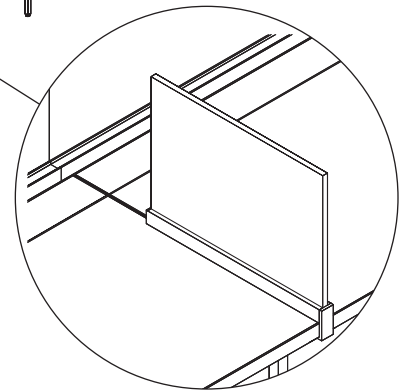
Specify bracket, in any Knoll Core paint finish.



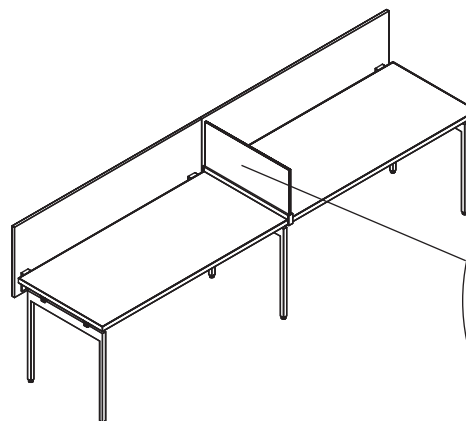
Partial Depth Intermediate Screen for Use with Hinged Access Tops



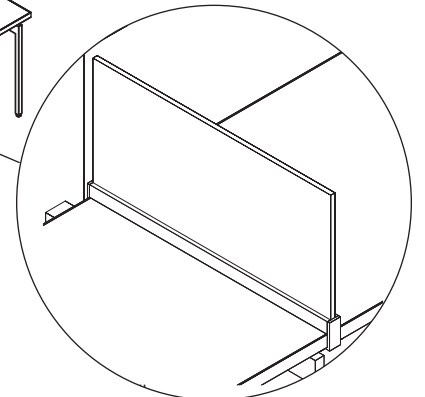
Big Table with Hinged Access Tops and Partial Depth Intermediate Screens



Full Depth Intermediate Screen for Use with Tops Without Hinged Access




Linked Desks Full Depth Intermediate Screens

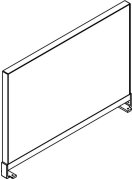


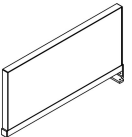
Intermediate Screens

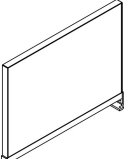
Fabric

For 42" or 49" High Horizon

description	type	w	d	h	pattern no.	10	20	30	40	45
 Full Depth Intermediate Screen, 42" High Horizon	For 18"D Tops w/o Hinged Access	1 1/4"	18"	14"	YPSI1418F	\$592.	\$622.	\$651.	\$681.	\$711.
	For 24"D Tops w/o Hinged Access	1 1/4"	24"	14"	YPSI1424F	621.	651.	683.	714.	745.
	For 27"D Tops w/o Hinged Access	1 1/4"	27"	14"	YPSI1427F	641.	673.	706.	736.	769.
	For 30"D Tops w/o Hinged Access	1 1/4"	30"	14"	YPSI1430F	655.	687.	719.	753.	785.
	For 36"D Tops w/o Hinged Access	1 1/4"	36"	14"	YPSI1436F	692.	727.	761.	798.	832.

 Full Depth Intermediate Screen, 49" High Horizon	For 18"D Tops w/o Hinged Access	1 1/4"	19"	21"	YPSI2118F	613.	643.	673.	705.	734.
	For 24"D Tops w/o Hinged Access	1 1/4"	24"	21"	YPSI2124F	650.	683.	716.	749.	780.
	For 27"D Tops w/o Hinged Access	1 1/4"	27"	21"	YPSI2127F	664.	697.	730.	763.	798.
	For 30"D Tops w/o Hinged Access	1 1/4"	30"	21"	YPSI2130F	682.	716.	750.	784.	818.
	For 36"D Tops w/o Hinged Access	1 1/4"	36"	21"	YPSI2136F	761.	800.	838.	877.	915.

 Partial Depth Intermediate Screen, 42" High Horizon	For 24"D Tops with Hinged Access	1 1/4"	16"	14"	YPSI1416F	581.	610.	639.	667.	695.
	For 27"D Tops with Hinged Access	1 1/4"	19"	14"	YPSI1419F	600.	631.	661.	691.	721.
	For 30"D Tops with Hinged Access	1 1/4"	22"	14"	YPSI1422F	613.	643.	673.	705.	734.
	For 36"D Tops with Hinged Access	1 1/4"	28"	14"	YPSI1428F	637.	668.	701.	731.	763.

 Partial Depth Intermediate Screen, 49" High Horizon	For 24"D Tops with Hinged Access	1 1/4"	16"	21"	YPSI2116F	597.	627.	658.	687.	717.
	For 27"D Tops with Hinged Access	1 1/4"	19"	21"	YPSI2119F	614.	644.	674.	706.	735.
	For 30"D Tops with Hinged Access	1 1/4"	22"	21"	YPSI2122F	639.	671.	705.	735.	766.
	For 36"D Tops with Hinged Access	1 1/4"	28"	21"	YPSI2128F	662.	694.	728.	761.	794.

Ordering Information

- Intermediate Screens**
1. Pattern Number
 2. Fabric Finish
 3. Bracket Paint Finish

Order Code

Intermediate Screens	
<i>Example:</i> YPSI2124F, Y351	
YPS	Screen
I	Intermediate
21	Height
24	Depth
F	Fabric
Y351	Foundation

Included With

Intermediate Screens
 Brackets
 Hardware

Options

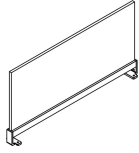
Intermediate Screens
 The price of screens specified with a combination of fabrics is the higher of the two fabric grades.

Intermediate Screens

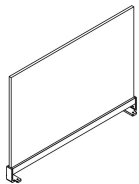
Laminate, Markerboard, Veneer or Glass

For 42" or 49" High Horizon

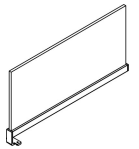
description	type	w	d	h	pattern no.	Laminate	Marker-	V1	V2	V3	Clear	Power	Grey
						(L)	board	(V)	(V)	(V)	Glass	Glass	Tinted
						(L)	(LM)	(V)	(V)	(V)	(GTEMP)	(GGL13)	(GGL35)
Full Depth Intermediate Screens, 42" High Horizon	For 18"D Tops w/o Hinged Access	1/2"	18"	14"	YPSI1418()	\$211.	\$277.	\$533.	\$615.	\$709.	\$275.	\$372.	\$472.
	For 24"D Tops w/o Hinged Access	1/2"	24"	14"	YPSI1424()	242.	350.	583.	659.	782.	335.	464.	596.
	For 27"D Tops w/o Hinged Access	1/2"	27"	14"	YPSI1427()	252.	363.	579.	676.	808.	367.	512.	662.
	For 30"D Tops w/o Hinged Access	1/2"	30"	14"	YPSI1430()	266.	375.	597.	705.	854.	399.	562.	729.
	For 36"D Tops w/o Hinged Access	1/2"	36"	14"	YPSI1436()	284.	425.	627.	747.	926.	452.	648.	848.



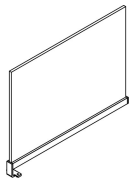
Full Depth Intermediate Screens, 49" High Horizon	For 18"D Tops w/o Hinged Access	1/2"	18"	21"	YPSI2118()	227.	325.	555.	652.	786.	330.	469.	611.
	For 24"D Tops w/o Hinged Access	1/2"	24"	21"	YPSI2124()	264.	430.	580.	678.	809.	404.	589.	776.
	For 27"D Tops w/o Hinged Access	1/2"	27"	21"	YPSI2127()	276.	439.	616.	740.	930.	440.	650.	863.
	For 30"D Tops w/o Hinged Access	1/2"	30"	21"	YPSI2130()	289.	454.	636.	766.	976.	481.	716.	949.
	For 36"D Tops w/o Hinged Access	1/2"	36"	21"	YPSI2136()	311.	508.	660.	809.	1,058.	549.	827.	1,107.



Partial Depth Intermediate Screens, 42" High Horizon	For 24"D Tops w/ Hinged Access	1/2"	16"	14"	YPSI1416()	199.	264.	517.	593.	678.	248.	336.	426.
	For 27"D Tops w/ Hinged Access	1/2"	19"	14"	YPSI1419()	213.	296.	537.	620.	719.	279.	382.	490.
	For 30"D Tops w/ Hinged Access	1/2"	22"	14"	YPSI1422()	222.	305.	553.	644.	762.	308.	430.	553.
	For 36"D Tops w/ Hinged Access	1/2"	28"	14"	YPSI1428()	246.	355.	600.	727.	925.	367.	519.	675.



Partial Depth Intermediate Screens, 49" High Horizon	For 24"D Tops w/ Hinged Access	1/2"	16"	21"	YPSI2116()	213.	312.	537.	628.	747.	299.	422.	550.
	For 27"D Tops w/ Hinged Access	1/2"	19"	21"	YPSI2119()	231.	355.	554.	655.	792.	337.	484.	634.
	For 30"D Tops w/ Hinged Access	1/2"	22"	21"	YPSI2122()	242.	366.	572.	681.	838.	374.	545.	719.
	For 36"D Tops w/ Hinged Access	1/2"	28"	21"	YPSI2128()	270.	434.	613.	737.	935.	443.	662.	884.



Ordering Information

- Intermediate Screens**
1. Pattern Number
 2. Surface Finish
 3. Bracket Paint Finish

Order Code

Intermediate Screens	
<i>Example:</i>	YPSI2124L, 118, 118T
YPS	Screen
I	Intermediate
21	Height
24	Depth
L	Laminate
118	Bright White Laminate
118T	Bright White Paint

Included With

- Intermediate Screens**
- Brackets
 - Hardware

Options

Intermediate Screens

Finish Options

- (L) = Laminate
- (LM) = Markerboard
- (V) = Veneer
- (CTEMP) = Clear Glass
- (GGL13) = Powder Glass
- (GGL35) = Grey Tinted Glass

End Screens for Dual Big Table

Planning Guidelines and Specifications

End screens provide partial enclosure for the end of an Antenna big table, from a starting point 10 1/2" above the floor to a horizon of 42" or 49". The 10 1/2" starting point aligns with suspended files or cabinets. The 42" and 49" horizons correspond to center screens and stanchion mounted cabinets.

End screens are available in widths to align with the front edges of dual big tables with 18", 24", 27", 30" or 36" deep tops.

End screens include brackets to the ends of the big table tops in the space above end legs. Brackets create a 1 1/4" cord drop space between the ends of the tops and the inside face of the screen. End screens cannot be planned in combination with end panels.

End screens are available in laminate, marker, veneer or fabric surfaces. Laminate and veneer end screens are 3/4" thick, with matching color frameless edges.

Fabric end screens are 1 1/4" thick, with painted perimeter frame capturing a wood structural core and tackable fabric wrapped inserts on each face.

Construction

Frameless screens are 3/4" MDF-core construction, with threaded metal inserts at bracket locations. Screens include solid cast aluminum brackets and attachment hardware.

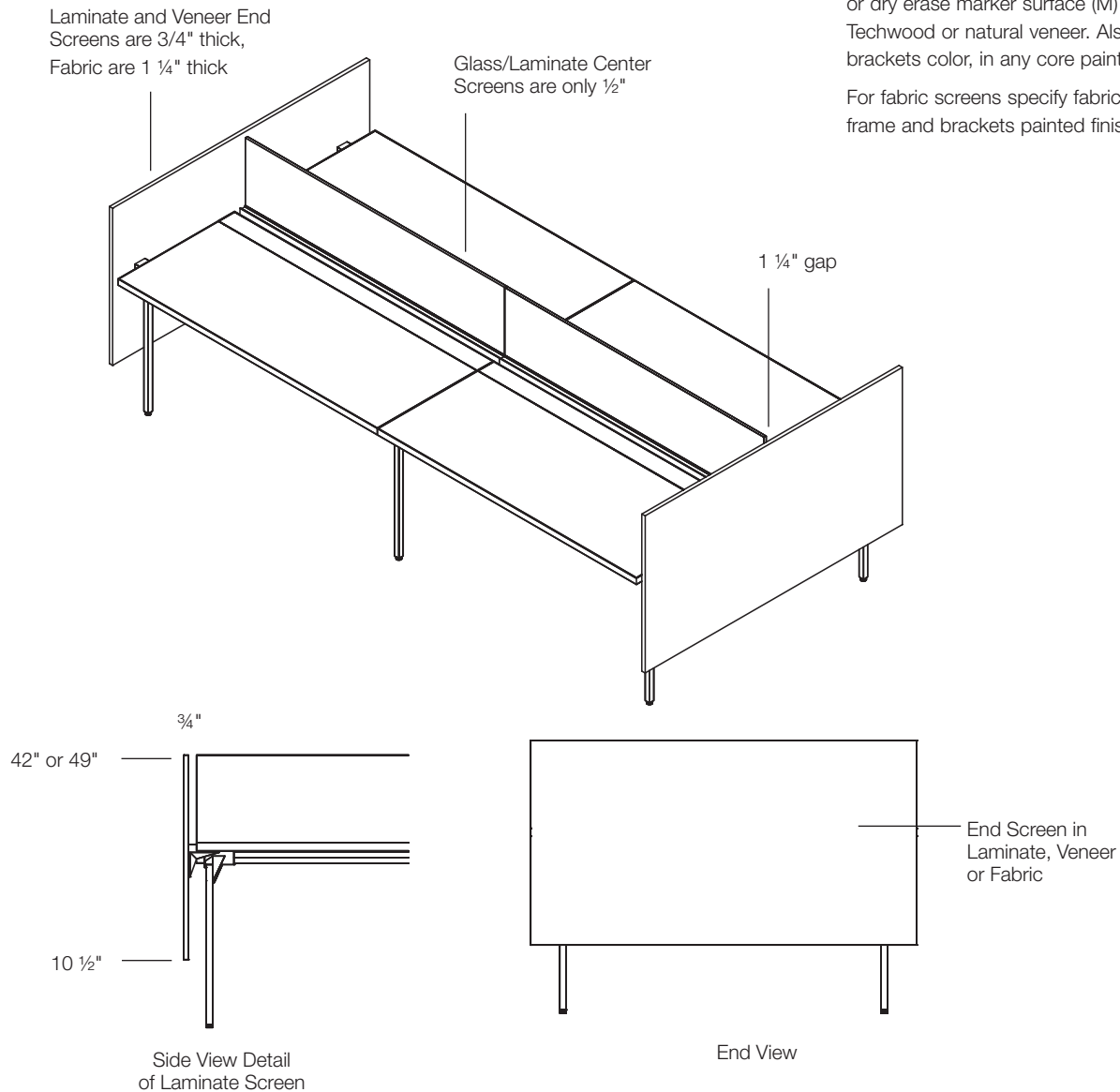
Laminate screens have 0.8mm ABS edge on four sides. Veneer screens feature vertical grain direction and 2.4 mm veneer edge.

Fabric screens have a 1/2" MDF core, with 3/8" thick tackable PET material inserts in each side wrapped in fabric and aluminum perimeter frame with seamless corners. Fabric screens have threaded metal inserts at bracket locations.

Specification Options

For end screens specify surface type: laminate (L) or veneer (V), any core laminate or dry erase marker surface (M) or any core Techwood or natural veneer. Also specify brackets color, in any core painted finish.

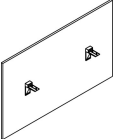
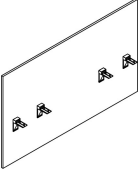
For fabric screens specify fabric, perimeter frame and brackets painted finishes.



End Screens for Dual Big Table

Fabric

For 42" or 49" Horizons

description	type	w	d	h	pattern no.	grade						
						10	20	30	40	45	50	55
 End Screens to 42"H	For 18"D dual	41 1/2"	1 1/4"	32"	YPSB3241F	\$860.	\$903.	\$947.	\$989.	\$1,032.	\$1,075.	\$1,120.
	For 24"D dual	53 1/2"	1 1/4"	32"	YPSB3253F	897.	942.	987.	1,032.	1,077.	1,123.	1,167.
	For 27"D dual	59 1/2"	1 1/4"	32"	YPSB3259F	951.	998.	1,045.	1,093.	1,140.	1,188.	1,235.
	For 30"D dual	65 1/2"	1 1/4"	32"	YPSB3265FRR	1,103.	1,158.	1,214.	1,269.	1,324.	1,379.	1,435.
	For 36"D dual	77 1/2"	1 1/4"	32"	YPSB3277FRR	1,177.	1,236.	1,296.	1,353.	1,412.	1,472.	1,531.
 End Screens to 49"H	For 18"D dual	41 1/2"	1 1/4"	38"	YPSB3841F	929.	975.	1,022.	1,068.	1,114.	1,162.	1,208.
	For 24"D dual	53 1/2"	1 1/4"	38"	YPSB3853F	977.	1,026.	1,075.	1,125.	1,173.	1,223.	1,271.
	For 27"D dual	59 1/2"	1 1/4"	38"	YPSB3859F	1,036.	1,088.	1,139.	1,191.	1,242.	1,295.	1,346.
	For 30"D dual	65 1/2"	1 1/4"	38"	YPSB3865FRR	1,204.	1,264.	1,324.	1,384.	1,444.	1,505.	1,565.
	For 36"D dual	77 1/2"	1 1/4"	38"	YPSB3877FRR	1,282.	1,347.	1,411.	1,475.	1,539.	1,604.	1,668.

Ordering Information

End Screens

1. Pattern Number
2. Inside Fabric Finish
3. Outside Fabric Finish
4. Frame Paint Finish
5. Bracket Paint Finish

Order Code

End Screens

Example: **YPSB3241F, W351, 118T, 118T**

YPSB	End Screen
32	Height
41	Width
F	Fabric
W351	Foundation
W351	Foundation
118T	Bright White Paint
118T	Bright White Paint

Included With

End Screens
Brackets
Hardware

Options

End Screens

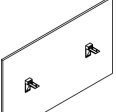
The price of screens specified with a combination of fabrics is the higher of the two fabric grades.


(RR) = Fabric is applied railroaded

End Screens for Dual Big Table

Laminate, Markerboard or Veneer

For 42" or 49" Horizons

description	type	w	d	h	pattern no.	Laminate (L)	Marker-board (LM)	V1 (V)	V2 (V)	V3 (V)	
	End Screens to 42"H	For 18"D dual	41 1/2"	3/4"	32"	YPSB3241()	\$448.	\$699.	\$884.	\$982.	\$1,509.
	For 24"D dual	53 1/2"	3/4"	32"	YPSB3253()	476.	1,124.	952.	1,070.	1,731.	
	For 27"D dual	59 1/2"	3/4"	32"	YPSB3259()	631.	1,132.	1,033.	1,152.	1,882.	
	For 30"D dual	65 1/2"	3/4"	32"	YPSB3265()	736.	1,237.	1,148.	1,290.	2,085.	
	For 36"D dual	77 1/2"	3/4"	32"	YPSB3277()	758.	1,259.	1,216.	1,378.	2,308.	

	End Screens to 49"H	For 18"D dual	41 1/2"	3/4"	38"	YPSB3841()	464.	715.	924.	1,038.	1,659.
	For 24"D dual	53 1/2"	3/4"	38"	YPSB3853()	496.	1,142.	1,012.	1,153.	1,933.	
	For 27"D dual	59 1/2"	3/4"	38"	YPSB3859()	652.	1,154.	1,088.	1,240.	2,100.	
	For 30"D dual	65 1/2"	3/4"	38"	YPSB3865()	759.	1,260.	1,232.	1,399.	2,339.	
	For 36"D dual	77 1/2"	3/4"	38"	YPSB3877()	787.	1,290.	1,298.	1,489.	2,587.	

Ordering Information

Intermediate Screens

1. Pattern Number
2. Surface Finish
3. Bracket Paint Finish

Order Code

Intermediate Screens

Example: **YPSI2124L, 118, 118T**

YPS	Screen
I	Intermediate
21	Height
24	Depth
L	Laminate
118	Bright White Laminate
118T	Bright White Paint

Included With

Intermediate Screens

Brackets
Hardware

Options

Intermediate Screens

Finish Options

(L) = Laminate
(LM) = Markerboard
(V) = Veneer

Fence Screens

Fence screens provide enclosure above either height fence to a horizon of 42" or 49", which aligns with upmounted storage cabinets. Fence mounted screens have wedge shape base and can be secured to the fence with bolts into mounting locations every 3" along the center of the crown.

Screens are available from 24"-48" wide in 6" increments, plus 60" and 72" widths.

Two types of screens are available:

- Frameless laminate, marker surface, veneer or glass screens are 1/2" thick with matching edge and crisp, eased corners. Base fits flush with top of fence crown.
- Fabric screens are 1 1/4" thick, with painted perimeter frame capturing a wood structural core and tackable, fabric wrapped inserts on each face.

Construction

Frameless laminate or veneer screens are 1/2" MDF construction. Frameless glass screens are 1/2" tempered glass with polished edges.

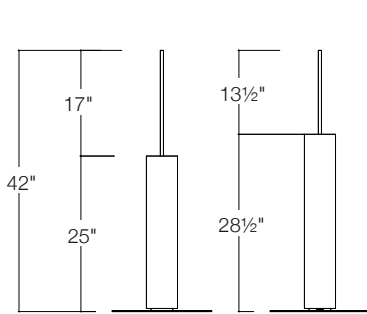
Fabric screens have a 1/2" MDF core, with 3/8" thick tackable PET material inserts on each side wrapped in fabric, and aluminum perimeter frame with seamless corners.

Specification Options

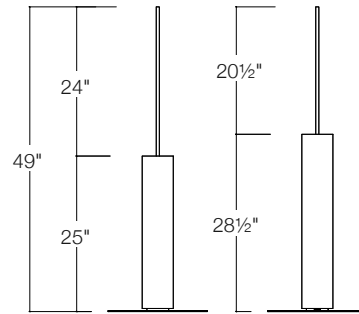
To specify fence screens identify fence height (25" or 28") and desired horizon (42" or 49" high).

For frameless screens specify surface type: laminate (L) or veneer (V) or glass (G); finish, any core laminate or dry-erase marker surface (M), any core Techwood or natural veneer, or core glass finishes. Brushed Sand (122) and Brushed Grey (123) are not available on laminate screens. Also specify base color, in any core paint finish.

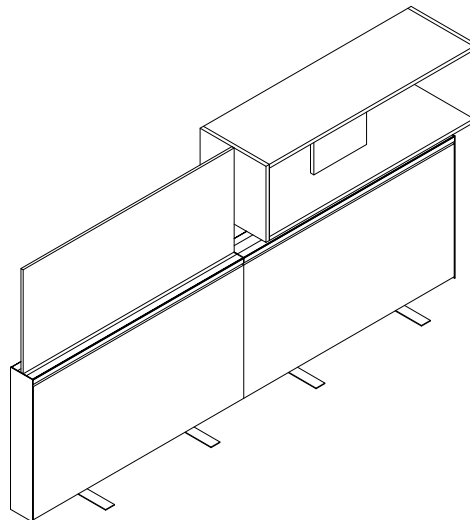
For fabric screens specify fabric, perimeter frame and bracket painted finishes.



Fence with Screens, 42" High Horizon



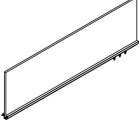
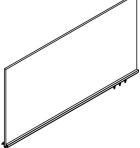


Fence with Screens, 49" High Horizon



Screen and Cabinet Align at 49"H

Fabric

For 25" and 28" High Fence, 42" and 49" High Horizon

description	w	d	h	pattern no.	list	10	20	30	40	45
Fabric Screens for 25" High Fence, 42" High Horizon 	24"	1 1/4"	17"	YPSF1724F	n/a	\$587.	\$617.	\$645.	\$674.	\$705.
	36"	1 1/4"	17"	YPSF1736F	n/a	667.	701.	735.	769.	801.
	48"	1 1/4"	17"	YPSF1748F	n/a	740.	776.	813.	850.	887.
	60"	1 1/4"	17"	YPSF1760F	n/a	780.	819.	857.	897.	936.
	72"	1 1/4"	17"	YPSF1772FRR	n/a	874.	918.	962.	1,006.	1,051.
Fabric Screens for 25" High Fence, 49" High Horizon 	24"	1 1/4"	24"	YPSF2424F	n/a	639.	671.	705.	735.	766.
	36"	1 1/4"	24"	YPSF2436F	n/a	775.	813.	852.	891.	930.
	48"	1 1/4"	24"	YPSF2448F	n/a	845.	888.	931.	971.	1,014.
	60"	1 1/4"	24"	YPSF2460F	n/a	922.	968.	1,014.	1,060.	1,105.
	72"	1 1/4"	24"	YPSF2472FRR	n/a	1,028.	1,080.	1,131.	1,183.	1,234.
Fabric Screens for 28" High Fence, 42" High Horizon 	24"	1 1/4"	14"	YPSF1424F	n/a	560.	590.	619.	645.	674.
	36"	1 1/4"	14"	YPSF1436F	n/a	632.	664.	695.	726.	758.
	48"	1 1/4"	14"	YPSF1448F	n/a	697.	732.	766.	802.	836.
	60"	1 1/4"	14"	YPSF1460F	n/a	740.	776.	813.	850.	887.
	72"	1 1/4"	14"	YPSF1472FRR	n/a	816.	856.	897.	938.	979.
Fabric Screens for 28" High Fence, 49" High Horizon 	24"	1 1/4"	21"	YPSF2124F	n/a	616.	645.	676.	708.	737.
	36"	1 1/4"	21"	YPSF2136F	n/a	740.	776.	813.	850.	887.
	48"	1 1/4"	21"	YPSF2148F	n/a	798.	838.	878.	917.	958.
	60"	1 1/4"	21"	YPSF2160F	n/a	869.	913.	957.	999.	1,041.
	72"	1 1/4"	21"	YPSF2172FRR	n/a	987.	1,036.	1,087.	1,134.	1,185.
Fabric Screen Fillers for Fence	24"			YPSFF24	60.	n/a	n/a	n/a	n/a	n/a
	36"			YPSFF36	83.	n/a	n/a	n/a	n/a	n/a
	48"			YPSFF48	107.	n/a	n/a	n/a	n/a	n/a
	60"			YPSFF60	130.	n/a	n/a	n/a	n/a	n/a
	72"			YPSFF72	155.	n/a	n/a	n/a	n/a	n/a

Ordering Information

Big Table Screens

1. Pattern Number
2. Fabric Finish
3. Frame Paint Finish

Order Code

Big Table Screenss

Example: **YPSC1448F, W351, 118T**

YPSC	Big Table Center Screen
14	Height
48	Width
F	Fabric
W351	Foundation
118T	Bright White Paint

Included With

Big Table Screens
Brackets
Hardware

Options


Big Table Screens


The price of screens specified with a combination of fabrics is the higher of the two fabric grades.


(RR) Fabric is applied railroaded.


Laminate, Markerboard, Veneer or Glass

For 25" and 28" High Fence, 42" and 49" High Horizon

description	w	d	h	pattern no.	Laminate (L)	Markerboard (LM)	V1 (V)	V2 (V)	V3 (V)	Clear Glass (GTEMP)	Powder Glass (GL13)	Grey Tinted Glass (GGL35)
Screens for 25" High Fence, 42" High Horizon 	24"	1/2"	17"	YPSF1724()	\$269.	\$400.	\$575.	\$687.	\$911.	\$368.	\$548.	\$693.
	36"	1/2"	17"	YPSF1736()	327.	545.	645.	794.	1,124.	494.	761.	996.
	48"	1/2"	17"	YPSF1748()	474.	938.	737.	922.	1,353.	639.	999.	1,310.
	60"	1/2"	17"	YPSF1760()	520.	982.	835.	1,053.	1,590.	778.	1,226.	1,627.
	72"	1/2"	17"	YPSF1772()	567.	1,017.	911.	1,164.	1,805.	916.	1,455.	1,933.

Screens for 25" High Fence, 49" High Horizon 	24"	1/2"	24"	YPSF2424()	290.	631.	636.	771.	1,072.	452.	712.	903.
	36"	1/2"	24"	YPSF2436()	364.	665.	726.	908.	1,349.	610.	999.	1,303.
	48"	1/2"	24"	YPSF2448()	456.	1,630.	820.	1,050.	1,633.	789.	1,307.	1,711.
	60"	1/2"	24"	YPSF2460()	518.	1,679.	939.	1,217.	1,945.	960.	1,607.	2,123.
	72"	1/2"	24"	YPSF2472()	676.	1,715.	1,041.	1,366.	2,240.	1,132.	1,909.	2,525.

Screens for 28" High Fence, 42" High Horizon 	24"	1/2"	14"	YPSF1424()	247.	322.	560.	663.	846.	346.	506.	604.
	36"	1/2"	14"	YPSF1436()	298.	428.	626.	755.	1,026.	464.	705.	867.
	48"	1/2"	14"	YPSF1448()	415.	708.	700.	856.	1,215.	600.	919.	1,138.
	60"	1/2"	14"	YPSF1460()	461.	751.	802.	988.	1,430.	731.	1,130.	1,413.
	72"	1/2"	14"	YPSF1472()	507.	781.	872.	1,088.	1,619.	863.	1,341.	1,676.

Screens for 28" High Fence, 49" High Horizon 	24"	1/2"	21"	YPSF2124()	271.	404.	598.	726.	988.	410.	628.	815.
	36"	1/2"	21"	YPSF2136()	332.	426.	667.	835.	1,223.	552.	880.	1,170.
	48"	1/2"	21"	YPSF2148()	478.	942.	774.	981.	1,491.	714.	1,152.	1,539.
	60"	1/2"	21"	YPSF2160()	525.	988.	869.	1,121.	1,754.	869.	1,418.	1,910.
	72"	1/2"	21"	YPSF2172()	576.	1,023.	966.	1,258.	2,019.	1,024.	1,684.	2,272.

Ordering Information

Fence Screens

1. Pattern Number
2. Surface Finish
3. Bracket Paint Finish

Order Code

Fence Screens

Example: **YPSF1448V, V316, 118T**

YPSF	Fence Screen
14	Height
48	Width
V	Veneer
V316	Maple
118T	Bright White Paint

Included With

Fence Screens

Brackets
Hardware

Options

Fence Screens

Finish Options:

(L) = Laminate
(LM) = Markerboard
(V) = Veneer
(GTEMP) = Clear Glass
(GGL13) = Powder Glass
(GGL35) = Grey Tinted Glass

S Screens

Planning Guidelines and Specifications

S Screens

S screens attach to the back of a desktop to provide enclosure both above and below the desktop. The distinctive curved profile transitions from the 10 1/2" high vertical modesty panel to a horizontal transaction surface at the 42" horizon.

The screen desk mount brackets enable a full 1 1/4" cord drop space between the back edge of the top and the inside of the screen.

Sapper monitor arms should not be used on the back edge of desk tops with S screens

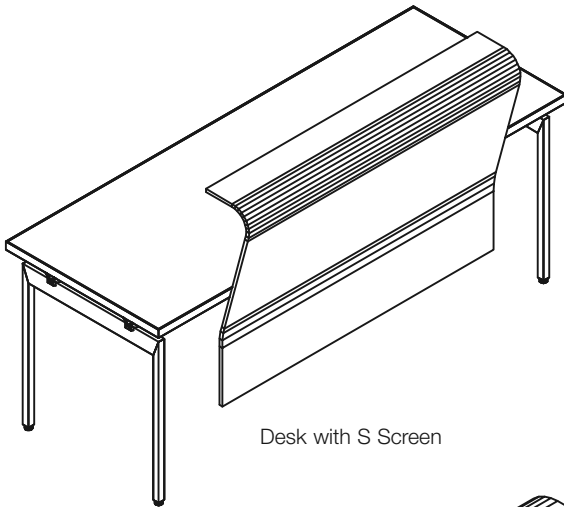
Construction

S screens are 1/2" thick plywood core with applied laminate on both faces and clear finish on side edges.

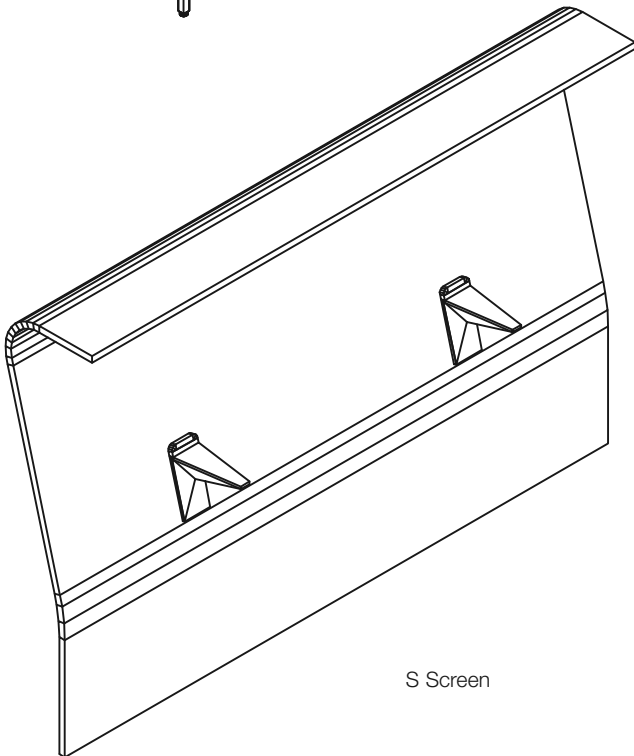
Specification Options

S screens are available in White or Folkstone laminate.

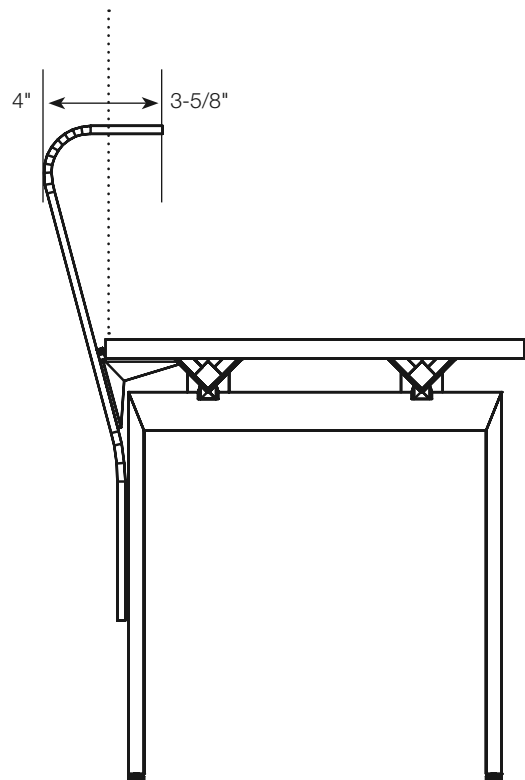
Specify mounting brackets in any Knoll Core paint finish.



Desk with S Screen



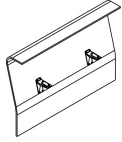
S Screen



Desk with S Screen End Elevation

S Screens
Laminate
For 42" High Horizon

description	type	w	d	h	pattern no.	Laminate (L)
S Screen	For Attachment to Desk	48"	7 1/2"	32"	YPSS3248()	\$1,319.



Ordering Information

S Screens

1. Pattern Number
2. Surface Finish
3. Bracket Paint Finish

Order Code

S Screens

Example: **YPSS3248L**

YPS	Screen
S	S Shape
32	Height
48	Width
L	Laminate
118	Bright White Laminate
118T	Bright White Paint

Included With

S Screens

Attachment brackets
 Hardware

S Screen

Material Finish Options:
 (L) = Laminate

S Screens are available in the following finishes:

- (118) Bright White Laminate
- (114) Folkstone Grey Laminate

Floorstanding Desk Screens

Planning Guidelines and Specifications

Floorstanding Desk Mounted Screens

Floorstanding desk mounted L screens are available in 42" and 49" high horizons creating two different privacy level options.

L screens are designed to wrap around a corner of a desk, with a 36" or 48"W panel generally along the back edge of the desk, and a 12" or 18"W panel along part of the side of the desk top. Both sides are bracketed to the underside of the top, and are also supported by adjustable levelers at the floor. Desk mount brackets are included for stability.

L screens are handed, so, for example, the left hand version of a 36" wide by 18" deep screen has the 18" wide panel on the left and

the 36" wide panel on the right, from a seated position at the desk. Right hand version has the 18" wide panel on the right and the 36" wide panel on the left, from a seated position.

The L screen corner bracket should be specified when planning an L screen to surround a pedestal supported desktop. A floorstanding pedestal can block access to the standard screen bracket at the end of the top. The brace is installed 25 1/4" above the floor (immediately above floorstanding pedestal height) to join the two panels of the L together. Then the two screen brackets that normally connect each of the panels now are both installed on the long side of the

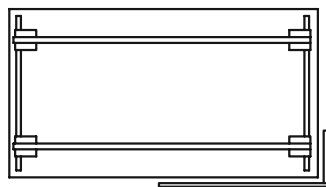
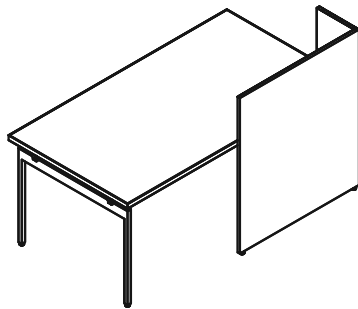
L, to the back side of the top. The bracket is for the most part concealed by the top, though visible just below the 1 1/4" deep cord drop around the corner of the desktop.

Construction

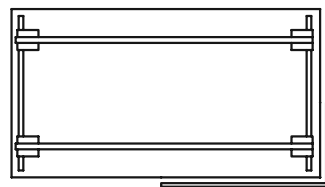
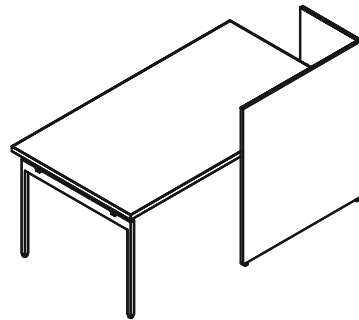
Floorstanding screens are 3/4" MDF construction with surface laminate or veneer on all faces, and 1" diameter levelers with 1 1/2" travel. The L screen corner bracket is die cast aluminum.

Specification Options

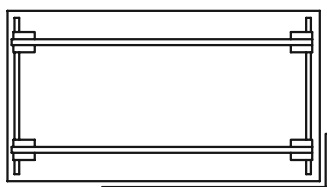
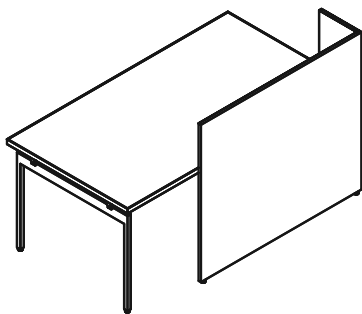
For L screen specify vertical surface type (L or V) and finish in any core laminate or veneer, and bracket finish in any core paint finish. The L screen corner bracket can be specified in any Core paint finish.



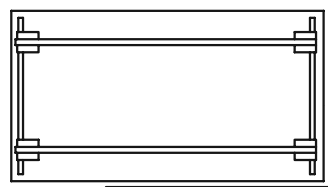
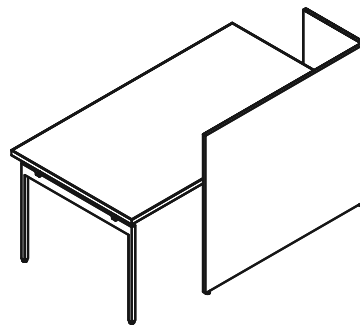
42" High 36" Wide 12" Deep L Screen, Left End of Desk



42" High 36" Wide 18" Deep L Screen, Left End of Desk



42" High 48" Wide 12" Deep L Screen, Left End of Desk

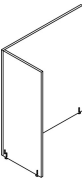
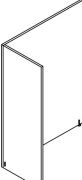


42" High 48" Wide 18" Deep L Screen, Left End of Desk

Floorstanding Desk Screens

Laminate and Veneer L-Screens

42" and 49" High

description	type	w	d	h	pattern no.	list	Laminate (L)	V1 (V)	V2 (V)	V3 (V)
 <p>42" High L Screens</p>	Left End of Desk	36"	12"	42"	YSFSL423612()	n/a	\$591.	\$1,063.	\$1,223.	\$1,651.
	Left End of Desk	36"	18"	42"	YSFSL423618()	n/a	591.	1,063.	1,223.	1,651.
	Left End of Desk	48"	12"	42"	YSFSL424812()	n/a	710.	1,276.	1,468.	1,981.
	Left End of Desk	48"	18"	42"	YSFSL424818()	n/a	710.	1,276.	1,468.	1,981.
	Right End of Desk	36"	12"	42"	YSFSR423612()	n/a	591.	1,063.	1,223.	1,651.
	Right End of Desk	36"	18"	42"	YSFSR423618()	n/a	591.	1,063.	1,223.	1,651.
	Right End of Desk	48"	12"	42"	YSFSR424812()	n/a	710.	1,276.	1,468.	1,981.
	Right End of Desk	48"	18"	42"	YSFSR424818()	n/a	710.	1,276.	1,468.	1,981.
	<i>Left Shown</i>									
 <p>49" High L Screens</p>	Left End of Desk	36"	12"	49"	YSFSL493612()	n/a	710.	1,276.	1,468.	1,981.
	Left End of Desk	36"	18"	49"	YSFSL493618()	n/a	710.	1,276.	1,468.	1,981.
	Left End of Desk	48"	12"	49"	YSFSL494812()	n/a	851.	1,536.	1,767.	2,384.
	Left End of Desk	48"	18"	49"	YSFSL494818()	n/a	851.	1,536.	1,767.	2,384.
	Right End of Desk	36"	12"	49"	YSFSR493612()	n/a	710.	1,276.	1,468.	1,981.
	Right End of Desk	36"	18"	49"	YSFSR493618()	n/a	710.	1,276.	1,468.	1,981.
	Right End of Desk	48"	12"	49"	YSFSR494812()	n/a	851.	1,536.	1,767.	2,384.
	Right End of Desk	48"	18"	49"	YSFSR494818()	n/a	851.	1,536.	1,767.	2,384.
	<i>Left Shown</i>									
L Screen Corner Bracket	For L Screen Applications with Pedestals				YSFSB	37.	n/a	n/a	n/a	n/a

Ordering Information

- L Screen**
1. Pattern Number
 2. Vertical Surface Finish
 3. Bracket Paint Finish

Order Code

L Screens	
<i>Example:</i>	YSFSL423618L, 118, 118T
YSFS	L Screen
L	Left Hand
42	Height
36	Width
18	Depth
L	Laminate
118	Bright White Laminate
118T	Bright White Paint

Included With

Floorstanding Screens
Brackets
Hardware

Options

Floorstanding Screens Finish Options:
(L)=Laminate
(V)=Veneer

Antenna Storage

Antenna storage comprises a broad scope of storage options for suspended files, books and binders, coats and secure storage of personal items and electronics. The scope includes both metal and wood construction, desk mounted, stanchion supported, wall mounted and floorstanding components. Antenna storage is finished on all sides to define work areas, complement individual workspaces and articulate group work and activity areas.

Storage for desks includes pedestals, laptop drawers, suspended, desk-height and floorstanding extension cabinets. Desk extension cabinets are also available for the ends of a big table.

For big tables and Fence, storage options also include stanchion mounted platform shelves and storage cabinets.

For offices and team spaces, Antenna storage cabinets and shelves can be wall mounted or floorstanding.

For group meeting or activity spaces, shelf cabinets can be freestanding storage walls for privacy or space definition.

Antenna Storage Surfaces and Options

Antenna storage components may be finished in a monolithic painted, laminate or veneer surface. Suspended and stanchion mounted open storage cabinets can also be specified in a contrasting interior color laminate. Interior laminate options include core laminates and five accent laminate colors. Storage with enclosed fronts can be specified with painted or laminate case and wood or contrasting core laminate front.

Pulls for Drawers and Doors

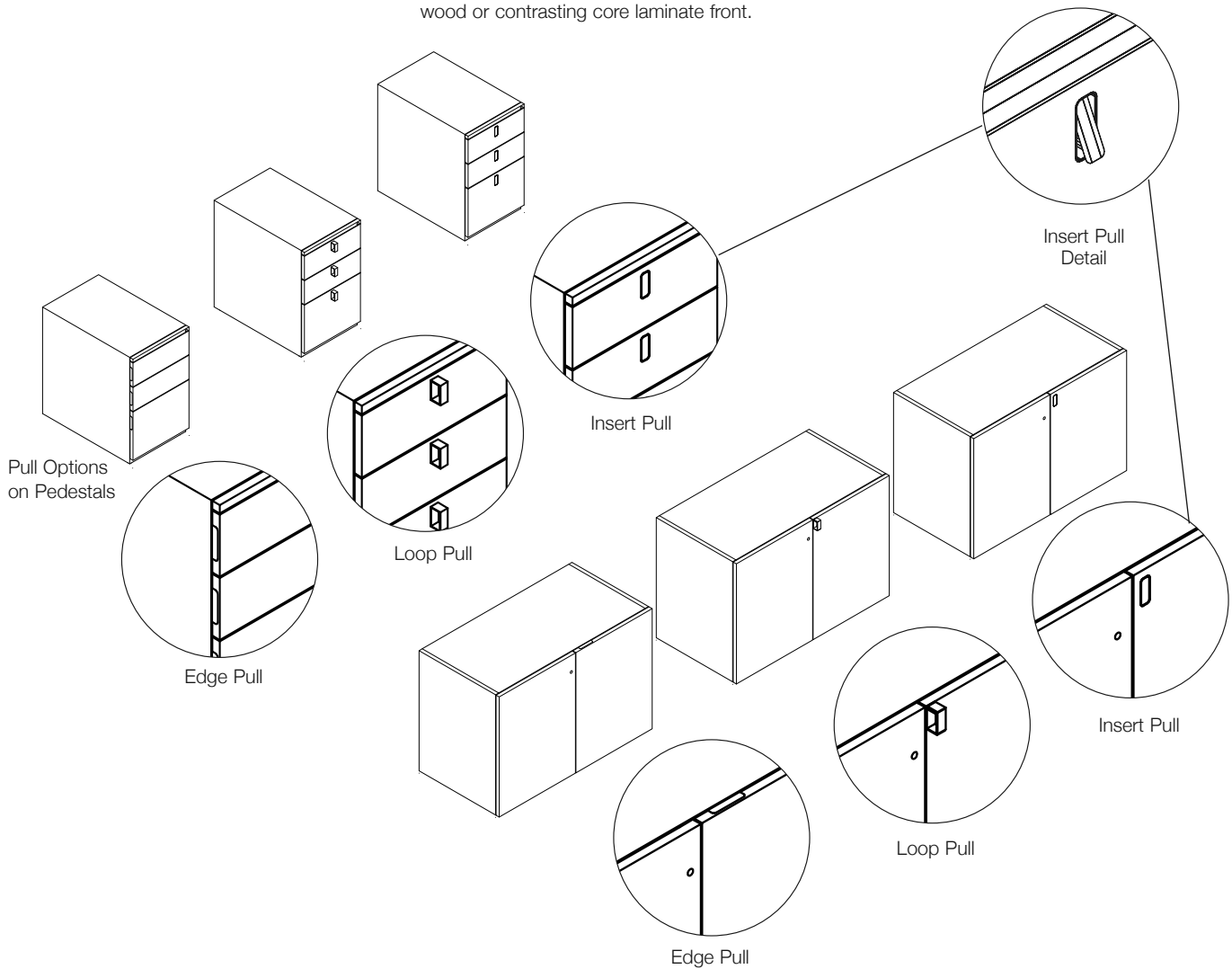
Pedestals and suspended file and hinged door fronts are available with three pull profiles:

Edge pull, a discreet recess in left and right hand edges of drawers and top edge of doors is available in chrome (PD) finish or in any Knoll core paint finish, Dark Red (131) or Slate Blue (132).

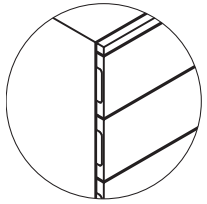
Insert pull, a fingertip hinged tab flush with the front is available in a chrome (PD) finish.

Loop pull, a small open square loop on the surface of the front is available in a chrome (PD) finish or in any Knoll core paint finish, Dark Red (131) or Slate Blue (132).

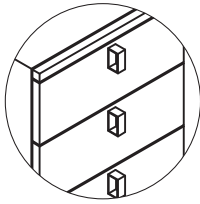
Sliding door fronts include a discreet vertical pull in any Knoll core paint finish.



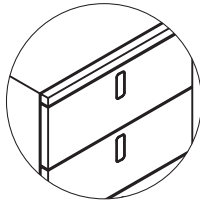
Pedestal Drawer Pull Options



Edge Pull

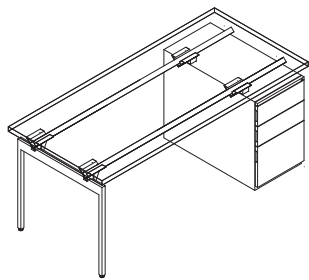


Loop Pull

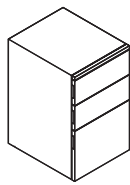


Insert Pull

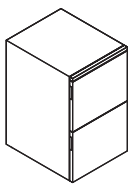
Floorstanding Pedestals



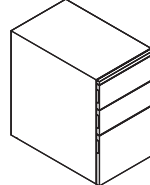
Antenna Desk with Righthanded Floorstanding Pedestal



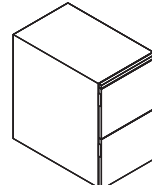
Box/Box/File Pedestal
18" Deep



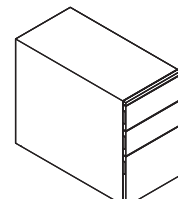
File/File Pedestal
18" Deep



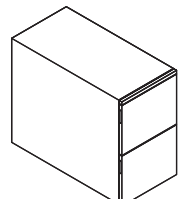
Box/Box/File Pedestal
24" Deep



File/File Pedestal
24" Deep

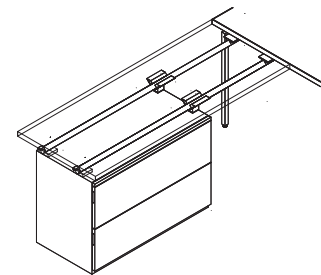


Box/Box/File Pedestal
30" Deep

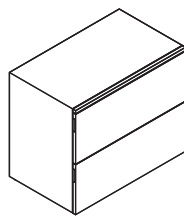


File/File Pedestal
30" Deep

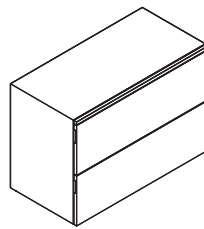
Floorstanding and Freestanding Double Wide Pedestals



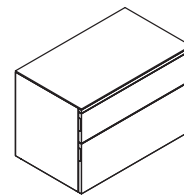
Antenna Desk with Double Wide Pedestal



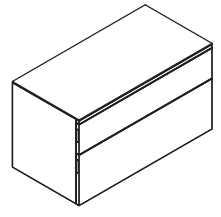
File/File Double Wide Pedestal
30" Wide



File/File Double Wide Pedestal
36" Wide

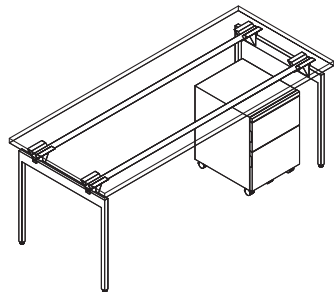


Data/File Double Wide Pedestal
30" Wide

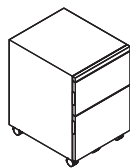


Data/File Double Wide Pedestal
36" Wide

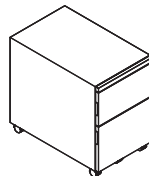
Mobile Pedestals



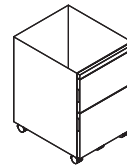
Antenna Desk with Personal/File Mobile Pedestal



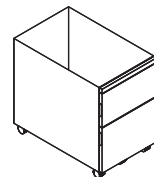
Personal/File Mobile Pedestal
18" Deep



Personal/File Mobile Pedestal
24" Deep



Personal/File Mobile Pedestal with Open Top for Seat Pad
18" Deep



Personal/File Mobile Pedestal with Open Top for Seat Pad
24" Deep

Pedestals

Floorstanding

Planning Guidelines and Specifications

Floorstanding Pedestals

Floorstanding pedestals provide fixed location storage under a desk or return.

Pedestals are 25" high steel cabinets in file/ file or box/box/file configurations that are sized to fit below and connect to desk rails. Floorstanding pedestals can take the place of a leg, in combination with YBATE25 pedestal adapter kit and appropriate ballast, to support one end of a desk top. Ballast kits are required for stability of freestanding desk applications, but may not be required where other end of desk is connected to Fence or perpendicular desk. Ballast kits are available in specific weights for each pedestal depth.

Positioning brackets (YSFA) stabilize and maintain position of floorstanding 25" high pedestals under desk or big table rails when the pedestal is not integrated into the desk structure. Positioning brackets enable floorstanding pedestals to mount adjacent to end legs or other floorstanding pedestals that are connected to the desk with YBATE25 brackets. They are also applicable under bridge tops or tops supported by Fence or Template storage. Positioning brackets fasten with screws into the holes in the top of the pedestal corresponding to desk support rails, or they may be adhered in position under the rails of a big table (adhesive not included in kit).

Ballast kits are still recommended for most floorstanding pedestal but positioning brackets may make ballast unnecessary for pedestals in multiple-position big tables.

Metal pedestals are available in painted steel case with painted wood, laminate or veneer fronts.

Pencil trays can be specified along with pedestals. The five section pencil tray rides on drawer sides of box or file drawers.

Construction

Floorstanding pedestals include full painted steel surround with no seams at back corners, flat steel top, full extension drawer slides and leveling glides with 2" range. Steel top is specified to have mounting holes for adapter kit on right or left side. Actual case height is 24" and stands 1" above the floor. Actual case width is 15" and depths are 17 1/2", 23 1/2", and 29 1/2".

File drawers on 18"D cabinets are 12"W x 15"D and support letter or legal suspended file folders. File drawers on 24"D and 30"D cabinets are 12"W x 21"D and include a divider to enable full depth letter or side to side legal suspended filing.

Box drawers are 5"H x 12"W x 15" or 21"D and can support Knoll universal pencil tray (specified separately).

Pencil trays are plastic injection molded construction, 13 1/4" wide, 5 7/16" deep and 7/8" high.

Specification Options

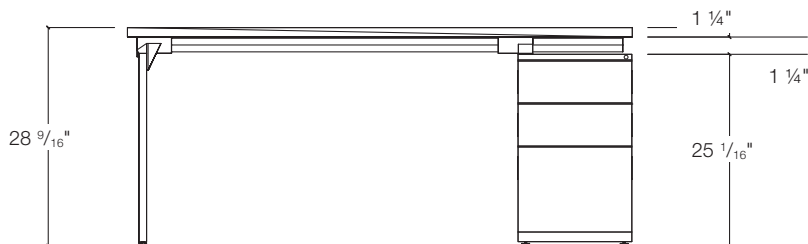
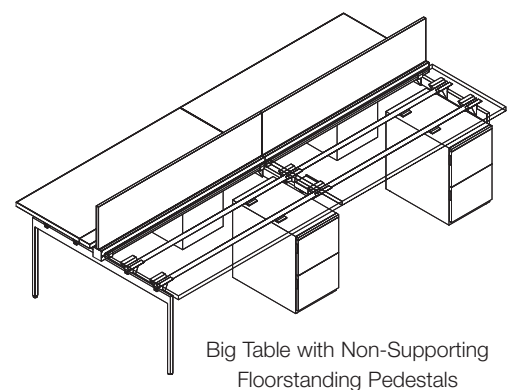
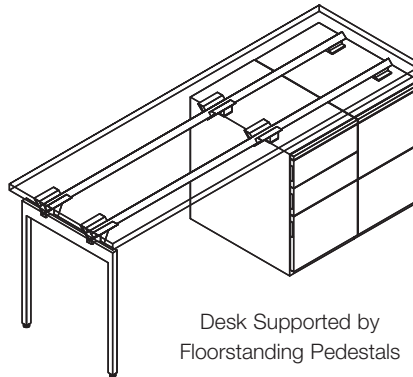
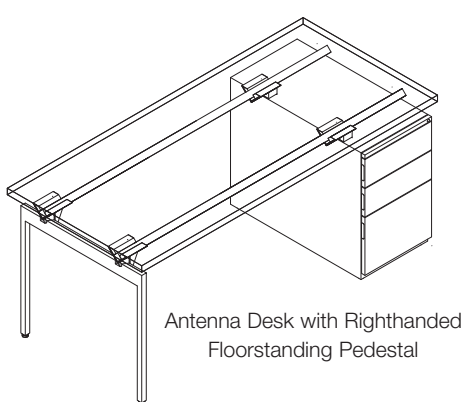
Specify either a left or right mounting position for correct location of holes in the top of the pedestal for connection to desk support adapter brackets. Specify top without holes for freestanding applications under desk rails with positioning brackets YSPA. Front is available either painted (P), laminate (L) or veneer (V). Pedestals can be locking (L) or non-locking (N).

Case is available in any Knoll Core paint finish. Drawer fronts may be specified in any Knoll Core paint, laminate or veneer finish.

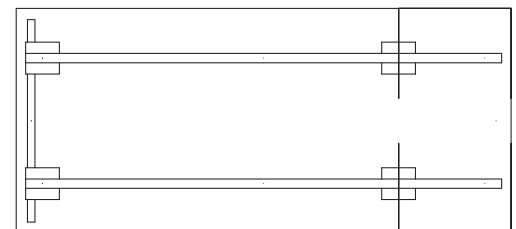
Specify pull type: Edge (E), Insert (I) or Loop (O). Edge pulls are available in any Knoll Core paint finish, Dark Red, Slate Blue or in Chrome (PD). Loop pulls are available in any Knoll Core paint finish, Dark Red or Slate Blue. Insert pulls are available in Chrome (PD).

Desk support adapters and pedestal positioning brackets are available in any Knoll Core paint finish, Dark Red or Slate Blue.

Pencil trays are available in either a black or clear finish.



Righthanded Floorstanding Pedestal Elevation



Righthanded Floorstanding Pedestal in Plan

Pedestals

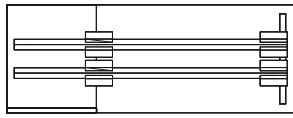
Floorstanding Applications

18"D pedestals can be used under an 18"D return or under a 24"D desk top or return with 1 1/2" inset in front and 5" space at back.

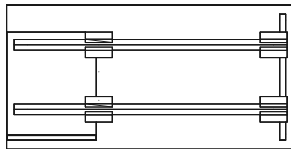
24"D pedestals can be used under 24"D tops flush with front and back, under 27"D tops with a 1 1/2" inset front and a 2" inset back, or under 30"D tops with a 1 1/2" inset front and 5" in back.

30"D pedestals can be used under 30"D tops, flush with front and back, or under 36"D tops with 1 1/2" in front and 5" in back.

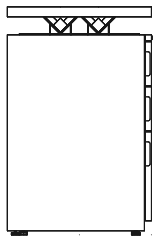
18" Deep Pedestal Applications



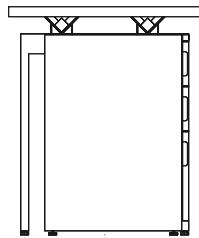
18"D Pedestal with 18"D Top in Plan



18"D Pedestal with 24"D Top in Plan

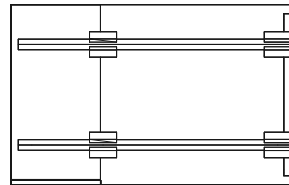


18"D Pedestal with 18"D Top End Elevation

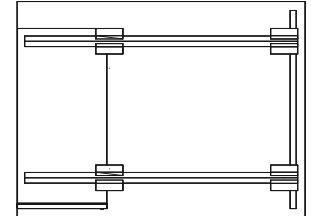


18"D Pedestal with 24"D Top End Elevation

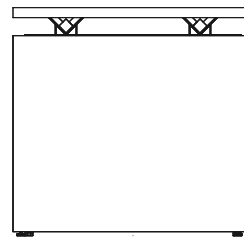
30" Deep Pedestal Applications



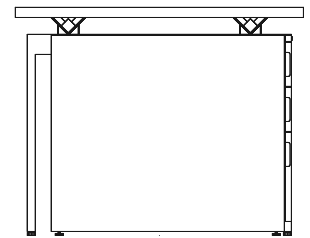
30"D Pedestal with 30"D Top in Plan



30"D Pedestal with 36"D Top in Plan

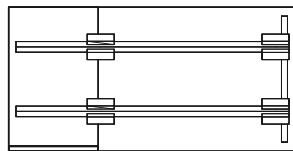


30"D Pedestal with 30"D Top End Elevation

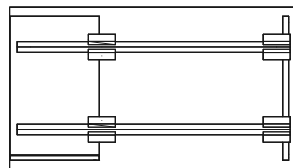


30"D Pedestal with 36"D Top End Elevation

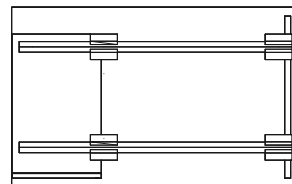
24" Deep Pedestal Applications



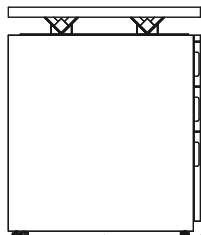
24"D Pedestal with 24"D Top in Plan



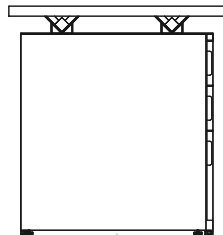
24"D Pedestal with 27"D Top in Plan



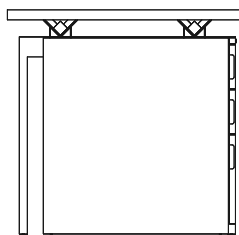
24"D Pedestal with 30"D Top in Plan



24"D Pedestal with 24"D Top End Elevation



24"D Pedestal with 27"D Top End Elevation

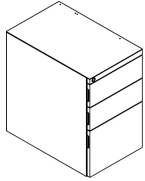


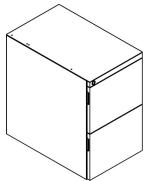
24"D Pedestal with 30"D Top End Elevation

Pedestals

Floorstanding

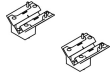
18", 24" and 30" Deep

description	type	w	d	h	pattern no.	list	Painted Fronts (P)	Laminate Fronts (L)	V1 Fronts (V)	V2 Fronts (V)	V3 Fronts (V)
	For Left 18" Deep Desk Mount	15"	17 1/2"	25"	YSFBBF18L()L	\$0.	\$1,373.	\$1,475.	\$1,553.	\$1,600.	\$1,738.
	For Left 24" Deep Desk Mount	15"	23 1/2"	25"	YSFBBF24L()L	0.	1,488.	1,544.	1,619.	1,666.	1,811.
	For Left 30" Deep Desk Mount	15"	29 1/2"	25"	YSFBBF30L()L	0.	1,518.	1,574.	1,651.	1,695.	1,841.
	For Right 18" Deep Desk Mount	15"	17 1/2"	25"	YSFBBF18R()L	0.	1,373.	1,475.	1,553.	1,600.	1,738.
	For Right 24" Deep Desk Mount	15"	23 1/2"	25"	YSFBBF24R()L	0.	1,488.	1,544.	1,619.	1,666.	1,811.
	For Right 30" Deep Desk Mount	15"	29 1/2"	25"	YSFBBF30R()L	0.	1,518.	1,574.	1,651.	1,695.	1,841.
	No holes on top 18" Deep	15"	17 1/2"	25"	YSFBBF18N()L	0.	1,373.	1,475.	1,553.	1,600.	1,738.
	No holes on top 24" Deep	15"	23 1/2"	25"	YSFBBF24N()L	0.	1,488.	1,544.	1,619.	1,666.	1,811.
	No holes on top 30" Deep	15"	29 1/2"	25"	YSFBBF30N()L	0.	1,518.	1,574.	1,651.	1,695.	1,841.

	For Left 18" Deep Desk Mount	15"	17 1/2"	25"	YSFFF18L()L	0.	1,175.	1,292.	1,349.	1,426.	1,564.
	For Left 24" Deep Desk Mount	15"	23 1/2"	25"	YSFFF24L()L	0.	1,272.	1,346.	1,409.	1,490.	1,630.
	For Left 30" Deep Desk Mount	15"	29 1/2"	25"	YSFFF30L()L	0.	1,303.	1,376.	1,614.	1,651.	1,720.
	For Right 18" Deep Desk Mount	15"	17 1/2"	25"	YSFFF18R()L	0.	1,175.	1,292.	1,349.	1,426.	1,564.
	For Right 24" Deep Desk Mount	15"	23 1/2"	25"	YSFFF24R()L	0.	1,272.	1,346.	1,409.	1,490.	1,630.
	For Right 30" Deep Desk Mount	15"	29 1/2"	25"	YSFFF30R()L	0.	1,303.	1,376.	1,614.	1,651.	1,720.
	No holes on top 18" Deep	15"	17 1/2"	25"	YSFFF18N()L	0.	1,175.	1,292.	1,349.	1,426.	1,564.
	No holes on top 24" Deep	15"	23 1/2"	25"	YSFFF24N()L	0.	1,272.	1,346.	1,409.	1,490.	1,630.
	No holes on top 30" Deep	15"	29 1/2"	25"	YSFFF30N()L	0.	1,303.	1,376.	1,614.	1,651.	1,720.

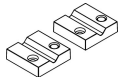
Floorstanding Pedestal Ballast/ Counterweight	For 18" or 30" Deep Pedestal				YSFB18	130.	0.	0.	0.	0.	0.
	For 24" Deep Pedestal				YSFB24	206.	0.	0.	0.	0.	0.

Pedestal Desk Support Adapters (pair)	For use with 25" High Pedestal	4"	3"	3"	YBATE25	100.	0.	0.	0.	0.	0.
---------------------------------------	--------------------------------	----	----	----	----------------	------	----	----	----	----	----



(YBATE25 shown)

Pedestal Positioning Brackets	Includes 2 brackets and hardware				YSFA	16.	0.	0.	0.	0.	0.
-------------------------------	----------------------------------	--	--	--	-------------	-----	----	----	----	----	----



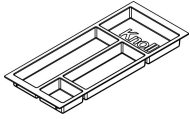
Ordering Information	Order Code	Included With	Options
Floorstanding Pedestal 1. Pattern Number 2. Case Finish 3. Front Finish 4. Pull Type 5. Pull Finish	Floorstanding Pedestal <i>Example:</i> YSFBBF24LPL, 118T, 118T, E, 118T YPFBBF Box/Box/File Pedestal 24 Depth L Left Mount P Painted Front L Lock 118T Bright White Case 118T Bright White Front E Edge Pull 118T Bright White Pull	Floorstanding Pedestal Glides File Rails (24" and 30" Deep Only) Desk adapter brackets and pencil trays sold separately. Pedestal Desk Support Adapters Hardware Lock Options: To specify a floorstanding pedestal without a lock, replace the "L" suffix in the pattern number with an "N".	Floorstanding Drawer Front Finish Options: (P)=Painted (L)=Laminate (V)=Veneer Drawer Front Pull Options: (E)=Edge Pull (I)=Insert Pull (O)=Loop Pull Add \$40 to the list price when a pull is specified with a painted finish. See planning guide page for drawer pull finish options.

Pedestals

Floorstanding

18", 24" and 30" Deep

description	type	w	d	h	pattern no.	list
Pencil Tray	Black Finish	13 1/4"	5 7/8"	7/8"	YAPT N	\$42.
	Clear Finish	13 1/4"	5 7/8"	7/8"	YAPT C	49.



Ordering Information

Floorstanding Pedestal

1. Pattern Number
2. Case Finish
3. Front Finish
4. Pull Type
5. Pull Finish

Pedestal Desk Support Adapters

1. Pattern Number
2. Paint Finish

Order Code

Floorstanding Pedestal

Example: YSFBBF24LPL, 118T, 118T, E, 118T

YPFBBF Box/Box/File Pedestal

24 Depth

L Left Mount

P Painted Front

L Lock

118T Bright White Case

118T Bright White Front

E Edge Pull

118T Bright White Pull

Included With

Floorstanding Pedestal

Glides
File Rails
(24" and 30" Deep Only)

Desk adapter brackets and pencil trays sold separately.

Pedestal Desk Support Adapters Hardware

Lock Options:

To specify a floorstanding pedestal without a lock, replace the "L" suffix in the pattern number with an "N".

Options

Floorstanding

Drawer Front Finish Options:

(P)=Painted
(L)=Laminate
(V)=Veneer

Drawer Front Pull Options:

(E)=Edge Pull
(I)=Insert Pull
(O)=Loop Pull

Add \$40 to the list price when a pull is specified with a painted finish.

See planning guide page for drawer pull finish options.

Pedestals

Floorstanding and Freestanding Double Wide Planning Guidelines and Specifications

Freestanding Double Wide Pedestals

Antenna Data/File and File/File double wide pedestals are 30" or 36" wide, sized to fit below or connect to Antenna desk support rails.

Double wide pedestals are available without any holes on top for entirely freestanding applications, or when using YSFA positioning bracket on top to hold a freestanding file/file pedestal in position under desk rails.

Ballast kit is required in all freestanding applications.

Floorstanding Double Wide Pedestals

Antenna File/File Double wide pedestals are just 25" high, and can take the place of a leg by using bracket kit YBAW25, and appropriate ballast, to support one end of a desk or return top 18" or 24" deep. Floorstanding pedestals are specified with pre-drilled attachment positions on either the right or left side of the top of the cabinet. For 27" or deeper tops an end leg should be specified next to a freestanding pedestal.

All double wide pedestals include an interlock to prevent both drawers from opening at the same time.

Ballast kits are required for stability of pedestal-supported freestanding credenzas, but are not required where other end of top is connected to Fence or perpendicular desk. Ballast kits are available in specific weights for each pedestal width.

Construction

Double wide pedestals include steel surround with no seams at back corners, flat steel top, full extension drawer slides and 3" leveling glides. Steel top is specified to have holes for adapter kit to mount to 18" or 24" depth top or to have no holes for freestanding applications.

File drawers in 30" wide cabinets are actual 27" wide x 15" deep. File drawers in 36" wide cabinets are actual 33" wide x 15"D. All double wide pedestals include four front to back file support rails for letter or legal suspended file folders.

Actual case widths are 30" and 36" and depths are 17 1/2". File/file case height is 24"; Data/file case height is 20". Starting point for glides is typically 1" extension, with up to 1 1/2" additional leveling available.

Metal pedestals are available in painted steel case with painted wood, laminate or veneer fronts.

Specification Options

Specify planning application for attachment to 18" or 24" deep top (18 or 24) or freestanding (N).

Front is available painted (P), laminate (L) or veneer (V).

Pedestals can be locking (L) or without lock (N).

Case is available in any Knoll Core paint finish.

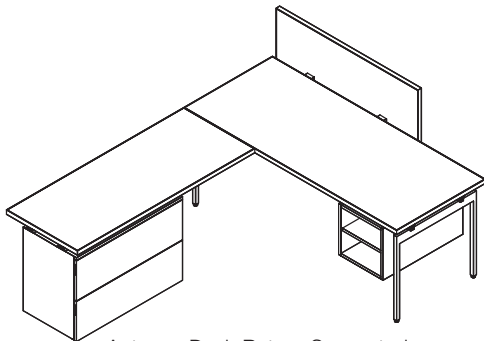
Drawer fronts may be specified in any Knoll Core paint, laminate or veneer finish.

Specify pull type: Edge (E), Insert (I) or Loop (O).

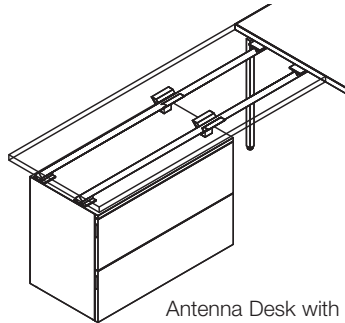
Edge pulls are available in any Knoll Core paint finish, Dark Red, Slate Blue or in Chrome (PD). Loop pulls are available in any Knoll Core paint finish, Dark Red or Slate Blue.

Insert pulls are available in Chrome (PD) only.

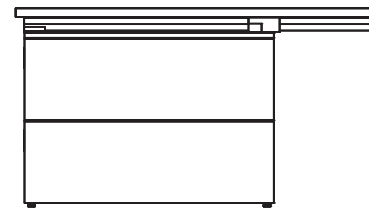
Desk support adapters and pedestal positioning brackets are available in any Knoll Core paint finish, Dark Red or Slate Blue.



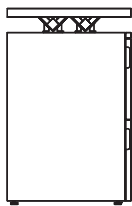
Antenna Desk Return Supported by Double Wide Pedestal



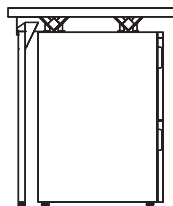
Antenna Desk with Double Wide Pedestal



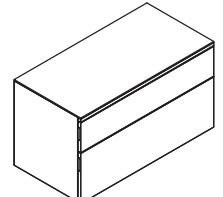
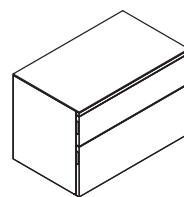
Double Wide Pedestal Front Elevation



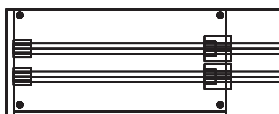
18"D Double Wide Pedestal with 18"D Top End Elevation



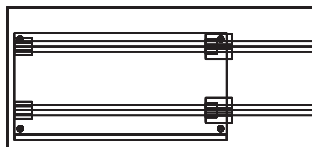
18"D Double Wide Pedestal with 24"D Top End Elevation



Data/File Double Wide Pedestal, 30" or 36"



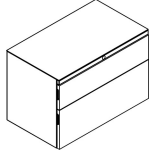
18"D Double Wide Pedestal with 18"D Top in Plan



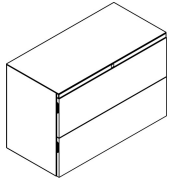
18"D Double Wide Pedestal with 24"D Top in Plan

*Floorstanding and Freestanding Double Wide
30" or 36" Wide*

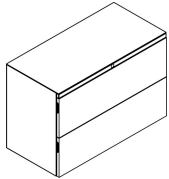
description	type	w	d	h	pattern no.	list	Painted Fronts (P)	Laminate Fronts (L)	V1 Fronts (V)	V2 Fronts (V)	V3 Fronts (V)
Freestanding Data/File Double Wide Pedestals	For use with Counterweight	30"	17 1/2"	21"	YSFWDF30N()L	n/a	\$1,748.	\$1,885.	\$2,062.	\$2,212.	\$2,514.
	For use with Counterweight	36"	17 1/2"	21"	YSFWDF36N()L	n/a	1,967.	2,130.	2,340.	2,525.	2,884.



Freestanding File/File Double Wide Pedestals	For use with Counterweight	30"	17 1/2"	25"	YSFWFF30N()L	n/a	1,891.	2,038.	2,230.	2,394.	2,717.
	For use with Counterweight	36"	17 1/2"	25"	YSFWFF36N()L	n/a	2,127.	2,305.	2,531.	2,730.	3,120.



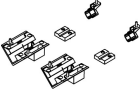
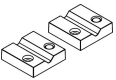
Floorstanding Desk Support File/File Double Wide Pedestals	30"W For use with 18" Deep Top	30"	17 1/2"	25"	YSFWFF3018()L	n/a	1,891.	2,038.	2,230.	2,394.	2,717.
	30"W For use with 24" Deep Top	30"	17 1/2"	25"	YSFWFF3024()L	n/a	1,891.	2,038.	2,230.	2,394.	2,717.
	36"W For use with 18" Deep Top	36"	17 1/2"	25"	YSFWFF3618()L	n/a	2,127.	2,305.	2,531.	2,730.	3,120.
	36"W For use with 24" Deep Top	36"	17 1/2"	25"	YSFWFF3624()L	n/a	2,127.	2,305.	2,531.	2,730.	3,120.



Ordering Information	Order Code	Included With	Options
Floorstanding Pedestal 1. Pattern Number 2. Case Finish 3. Front Finish 4. Pull Type 5. Pull Finish	Floorstanding Pedestal <i>Example:</i> YSFWFF3018PL, 118T, 118T, E, 118T YSFWFF File/File Double Wide Pedestal	Floorstanding Pedestal Glides File Rails Desk adapter brackets and pencil trays sold separately.	Floorstanding Drawer Front Finish Options: (P)=Painted (L)=Laminate (V)=Veneer
Double Wide Pedestal Desk Support Adapters 1. Pattern Number 2. Paint Finish	30 Width 18 Top Depth P Painted Front L Lock 118T Bright White Case 118T Bright White Front E Edge Pull 118T Bright White Pull	Double Wide Pedestal Desk Support Adapters Hardware Lock Options: To specify a floorstanding pedestal without a lock, replace the "L" suffix in the pattern number with an "N".	Drawer Front Pull Options: (E)=Edge Pull (I)=Insert Pull (O)=Loop Pull Add \$40 to the list price when a pull is specified with a painted finish. See planning guide page for drawer pull finish options.

Pedestals

Floorstanding and Freestanding Double Wide Pedestal Accessories

description	type	w	d	h	pattern no.	list
Double Wide Pedestal	For 30" Wide Pedestal				YSFWB30	\$330.
Ballast/Counterweight	For 36" Wide Pedestal				YSFWB36	397.
Double Wide Pedestal Desk Support Adapters (pair)	For use with Double Wide Pedestal	4"	3"	3"	YBAW25	130.
						
Pedestal Positioning Brackets	Includes 2 brackets and hardware				YSFA	16.
						

Ordering Information	Order Code	Included With	Options
Floorstanding Pedestal 1. Pattern Number 2. Case Finish 3. Front Finish 4. Pull Type 5. Pull Finish	Floorstanding Pedestal <i>Example:</i> YSFWFF3018PL, 118T, 118T, E, 118T YSFWFF File/File Double Wide Pedestal	Floorstanding Pedestal Glides File Rails Desk adapter brackets and pencil trays sold separately.	Floorstanding Drawer Front Finish Options: (P)=Painted (L)=Laminate (V)=Veneer
Double Wide Pedestal Desk Support Adapters 1. Pattern Number 2. Paint Finish	30 Width 18 Top Depth P Painted Front L Lock 118T Bright White Case 118T Bright White Front E Edge Pull 118T Bright White Pull	Double Wide Pedestal Desk Support Adapters Hardware Lock Options: To specify a floorstanding pedestal without a lock, replace the "L" suffix in the pattern number with an "N".	Drawer Front Pull Options: (E)=Edge Pull (I)=Insert Pull (O)=Loop Pull Add \$40 to the list price when a pull is specified with a painted finish. See planning guide page for drawer pull finish options.

Pedestals

Mobile

Planning Guidelines and Specifications

Mobile Pedestals

Mobile pedestals offer flexibility in location, and include locking casters for stability where located. Metal pedestals are available in painted steel case with painted wood, laminate or veneer fronts. Mobile pedestals may be specified with flat steel top or without a top, for use with optional seat pad tops.

Mobile pedestals are available in combination of one 7"H data file drawer, and one 11"H standard suspended file drawer with a "fifth wheel" for stability. Data drawer can support Knoll universal pencil tray (specified separately) and is tall enough to contain DVD "jewel" cases vertically.

Pencil trays can be specified along with pedestals. The five section pencil tray rides on drawer sides of box or file drawers.

Seat cushions are specified separately for mobile pedestals with an open top. Seat cushions are upholstered from the front to the back of the pedestal with the fabric direction matching the textile sample.

Construction

Mobile pedestals include full painted steel surround with no seams at back corners, full extension file drawer slides and ¾ extension data drawer slides, two locking and two non-locking 1 ½" diameter casters, plus caster under file drawer. Actual case height is 20" and stands 2" above the floor. Actual case width is 15" and depths are 17 ½" or 23 ½".

File drawer on 18"D mobile pedestals are 12"W x 15"D and support letter or legal suspended file folders.

File drawer on 24"D mobile pedestals are 12"W x 21"D and include a divider to enable full depth letter or side to side legal suspended filing

Data drawers are 6"H x 12"W x 15" or 21"D.

Pencil trays are plastic injection molded construction, 13 ¼" wide, 5-7/16" deep and 7/8" high.

Specification Options

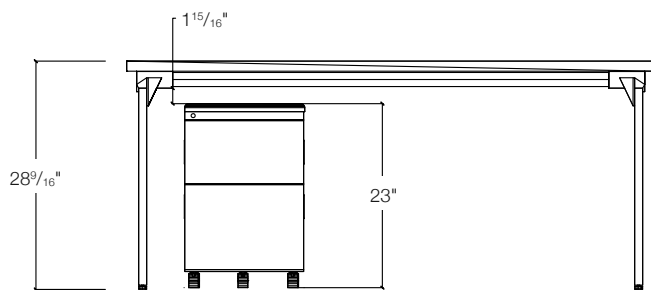
Front is available either painted (P), laminate (L) or veneer (V). Pedestals include lock (L) on upper left corner of pedestal to facilitate moving pedestal.

Case is available in any Knoll Core paint finish. Drawer fronts may be specified in any Knoll Core paint, laminate or veneer finish.

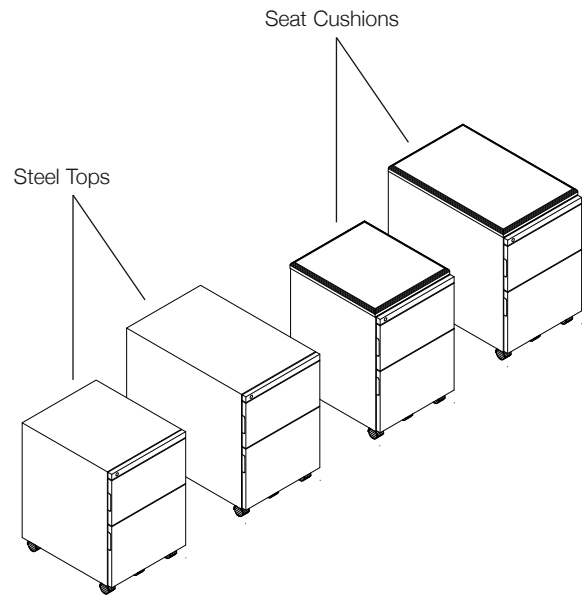
Specify pull type: Edge (E), Insert (I) or Loop (O). Edge pulls are available in any Knoll Core paint finish, Dark Red, Slate Blue or in Chrome (PD). Loop pulls are available in any Knoll Core paint finish, Dark Red or Slate Blue. Insert pulls are available in Chrome (PD).

Seat cushions may be specified in any Antenna approved textile. For Customers Own Material (COM) applications, specify .75 yards of fabric for 17" deep mobile pedestal seat cushion, and .90 yards for 23" deep seat cushion.

Pencil trays are available in either a black or clear finish.



Antenna Desk with Mobile Pedestal Elevation



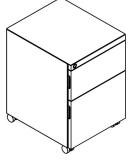
Mobile Pedestal Options

Pedestals

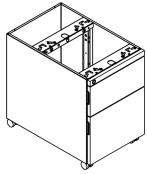
Mobile

18" and 24" Deep

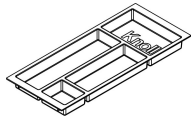
description	type	w	d	h	pattern no.	list	Painted Fronts (P)	Laminate Fronts (L)	V1 Fronts (V)	V2 Fronts (V)	V3 Fronts (V)
Mobile Personal/File Pedestals, Full Top	18" Deep Pedestal	15"	18"	22"	YSMPDF18()L	\$0.	\$1,156.	\$1,290.	\$1,366.	\$1,460.	\$1,519.
	24" Deep Pedestal	15"	24"	22"	YSMPDF24()L	0.	1,311.	1,346.	1,567.	1,664.	1,727.



Mobile Personal/File Pedestals, Open Top for Seat Pad	18" Deep Pedestal	15"	18"	22"	YSMOPDF18()L	0.	1,097.	1,229.	1,328.	1,423.	1,478.
	24" Deep Pedestal	15"	24"	22"	YSMOPDF24()L	0.	1,235.	1,269.	1,520.	1,615.	1,681.



Pencil Tray		w	d	h	pattern no.	list	Painted Fronts (P)	Laminate Fronts (L)	V1 Fronts (V)	V2 Fronts (V)	V3 Fronts (V)
	Black Finish	13 1/4"	5 7/8"	7/8"	YAPT	42.	0.	0.	0.	0.	0.
	Clear Finish	13 1/4"	5 7/8"	7/8"	YAPTC	49.	0.	0.	0.	0.	0.



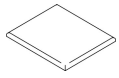
Ordering Information	Order Code	Included With	Options
Mobile Pedestal	Mobile Pedestal	Mobile Pedestal	Mobile Pedestal
1. Pattern Number	<i>Example:</i> YSMPDF18PL, 118T, 118T, E, 118T	(5) Casters	Drawer Front Finish Options:
2. Case Finish	YSMPDF Personal/File Pedestal	File Rails	(P)=Painted
3. Front Finish	18 Depth	(24" and 30" Deep Only)	(L)=Laminate
4. Pull Type	P Painted Front	Specify seat pad for open top mobile pedestal separately	(V)=Veneer
5. Pull Finish	L Lock	Pencil trays sold separately.	Drawer Front Pull Options:
	118T Bright White Painted Case		(E)=Edge Pull
	118T Bright White Painted Front		(I)=Insert Pull
	E Edge Pull		(O)=Loop Pull
	118T Bright White Painted Pull		Add \$40 to the list price when a pull is specified with a painted finish.
			See planning guide page for drawer pull finish options.
			Lock Options:
			To specify a floorstanding pedestal without a lock, replace the "L" suffix in the pattern number with an "N".

Pedestals

Seat Cushions

18" and 24" Deep

description	type	w	d	h	pattern no.	A	B	C	D	E	F	G	H	I
Seat Cushions	For 18" Deep Mobile Pedestal	15"	17"	1"	YSSPAD	\$210.	\$243.	\$276.	\$290.	\$307.	\$340.	\$372.	\$422.	\$437.
	For 24" Deep Mobile Pedestal	15"	23"	1"	YSDPAD	259.	290.	340.	355.	388.	422.	469.	518.	536.



Ordering Information

Seat Cushions

1. Pattern Number
2. Fabric Finish

Order Code

Seat Cushions

Example: **YSSPAD, Y351**

YS Storage

S 18" Deep

PAD Cushion

Y351 Foundation

Included With

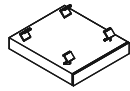
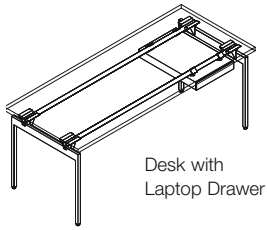
Seat Cushions

Options

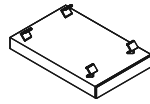
Seat Cushions

For CAL133 backing on the cushion, add \$77 to the list price.

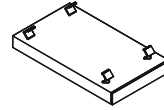
Laptop Drawer



21" Deep
(24" or 27" Deep Top)

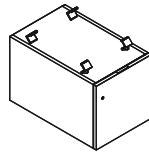


27" Deep
(30" Deep Top)

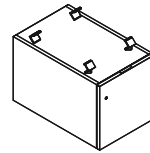


30" Deep
(36" Deep Top)

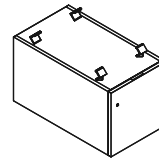
Suspended Wood Files



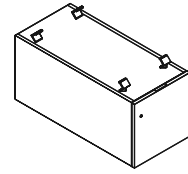
24" Deep Desk



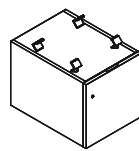
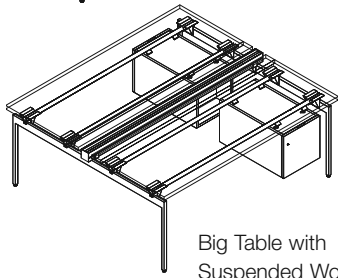
27" Deep Desk



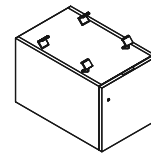
30" Deep Desk



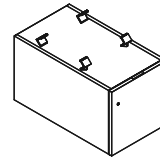
36" Deep Desk



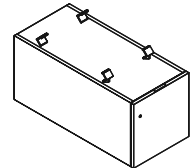
24" Deep Big Table



27" Deep Big Table

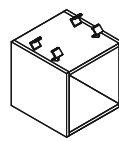
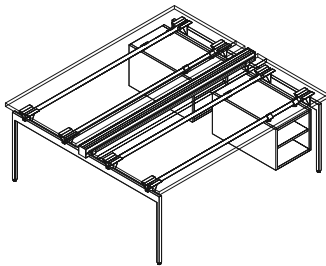
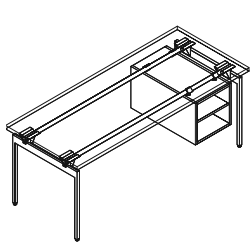


30" Deep Big Table

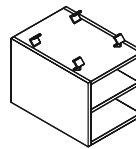


36" Deep Big Table

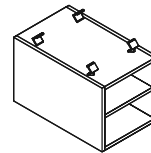
Suspended Open Cabinet with Front and Back Access



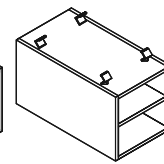
18" Deep



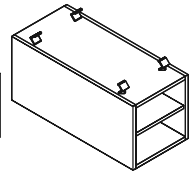
24" Deep



27" Deep

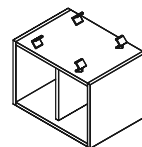
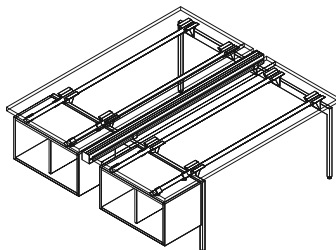
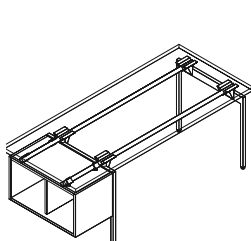


30" Deep

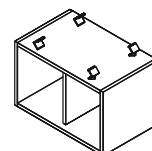


36" Deep

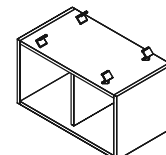
Suspended Open Cabinet with Side Access



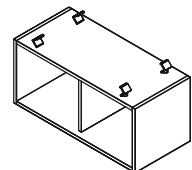
24" Deep



27" Deep

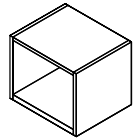
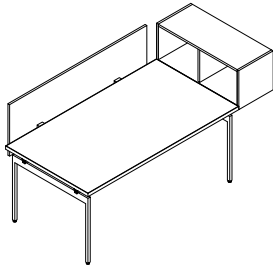


30" Deep

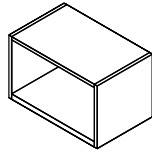


36" Deep

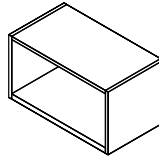
Desk Extension Cabinets



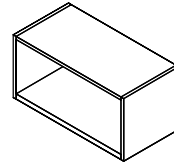
Above Desk
Extension Cabinet
18" Deep



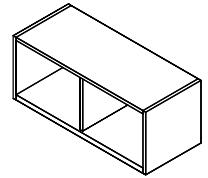
Above Desk
Extension Cabinet
24" Deep



Above Desk
Extension Cabinet
27" Deep

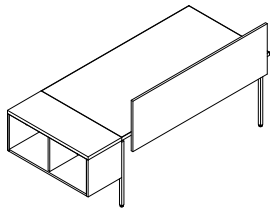


Above Desk
Extension Cabinet
30" Deep

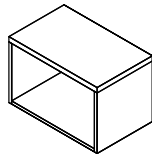


Above Desk
Extension Cabinet
36" Deep

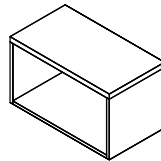
Above Desk Extension
Cabinet Front



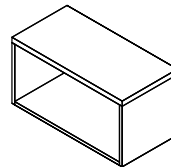
Below Desk Extension
Cabinet Back



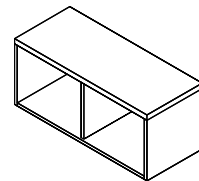
Below Desk
Extension Cabinet
24" Deep



Below Desk
Extension Cabinet
27" Deep

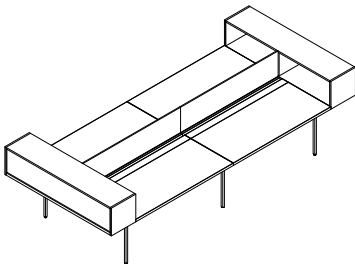


Below Desk
Extension Cabinet
30" Deep

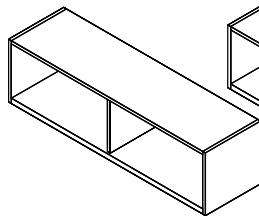


Below Desk
Extension Cabinet
36" Deep

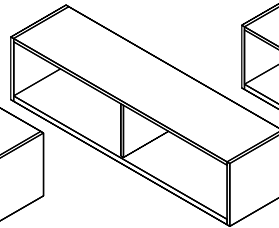
Big Table Extension Cabinets



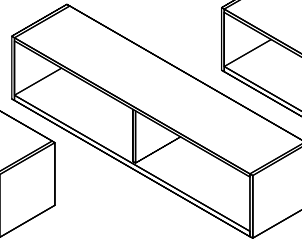
Above Desk Extension
Cabinets for Big Table



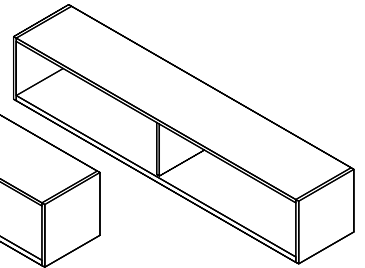
Above Big Table Extension
Cabinet
24" Deep Dual Big Table



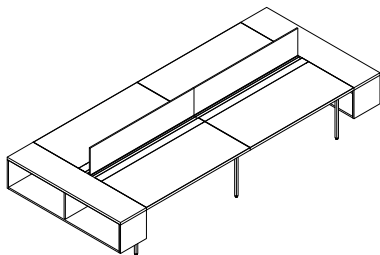
Above Big Table
Extension Cabinet
27" Deep Dual Big Table



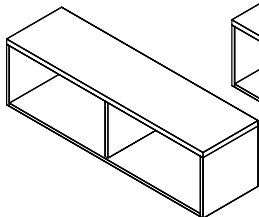
Above Big Table
Extension Cabinet
30" Deep Dual Big Table



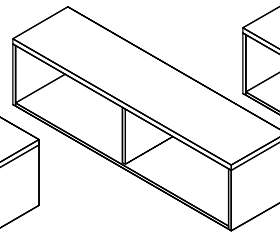
Above Big Table
Extension Cabinet
36" Deep Dual Big Table



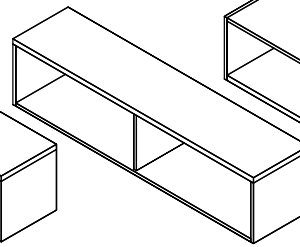
Below Desk Extension
Cabinets for Big Table



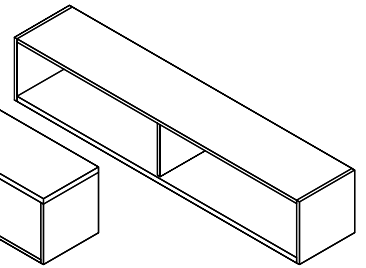
Below Big Table
Extension Cabinet
24" Deep Dual Big Table



Below Big Table
Extension Cabinet
27" Deep Dual Big Table



Below Big Table
Extension Cabinet
30" Deep Dual Big Table



Below Big Table
Extension Cabinet
36" Deep Dual Big Table

Laptop Drawer

Planning Guidelines and Specifications

The laptop drawer is a 2 1/2" high secure storage drawer for laptops, small personal items or electronics.

It is 15" wide and either 21" deep for use under 24" or 27" deep tops, or 27" deep for use under 30" deep tops, or 30" deep for use under 36" deep tops. It includes brackets for suspension from desk top rails. The drawer interior is 12 3/8" wide x 16 3/4" deep x 2 3/8" high and features two 2" diameter, lined cable grommets in the drawer bottom. Laptop drawers have a lock.

Laptop drawers can be mounted anywhere under desk or big table rails, as close as 3" to the inside face of a leg or directly adjacent to the outside face of a leg.

An optional drawer pad is available for the bottom of the drawer, providing a quiet, resilient surface for stored electronics. The recycled leather pad may be specified with grommets that correspond to the grommets in the drawer bottom or without grommets to cover the grommets in the drawer bottom.

An optional cable net is recommended to manage power cords from the drawer bottom to the back of a laptop drawer case. The net is a flexible open weave construction with a perimeter elastic cord to maintain the shape. The net is fastened to the underside of the laptop drawer case with screws.

Pencil trays can be specified separately for use in a laptop drawer. The five section pencil tray rides on the sides of a laptop drawer.

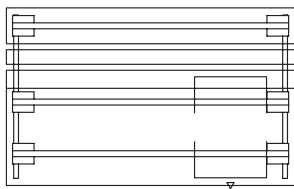
Construction

The laptop drawer has a steel top enclosure 21" or 27" or 30" deep and full extension 19"D drawer slides. The cable net is made of Polypropylene Net with Nylon. The drawer pad is 1.15mm thick Novous Black recycled leather.

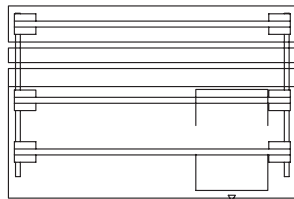
Pencil trays are plastic injection molded construction, 13 1/4" wide, 5 7/16" deep and 7/8" high.

Specification Options

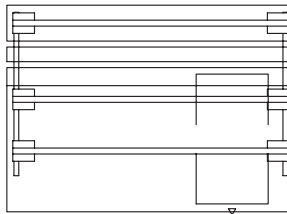
Specify laptop drawer in any Knoll Core paint finish. Drawer pad and net are black. Pencil trays are available in a black or clear finish.



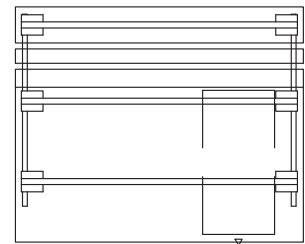
24"D Top with 21" D Laptop Drawer Plan View



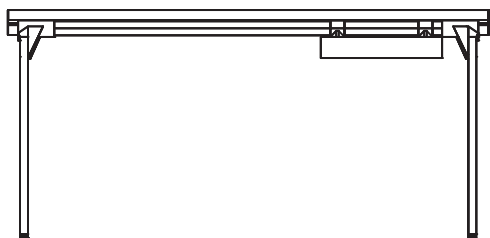
27"D Top with 21" D Laptop Drawer Plan View



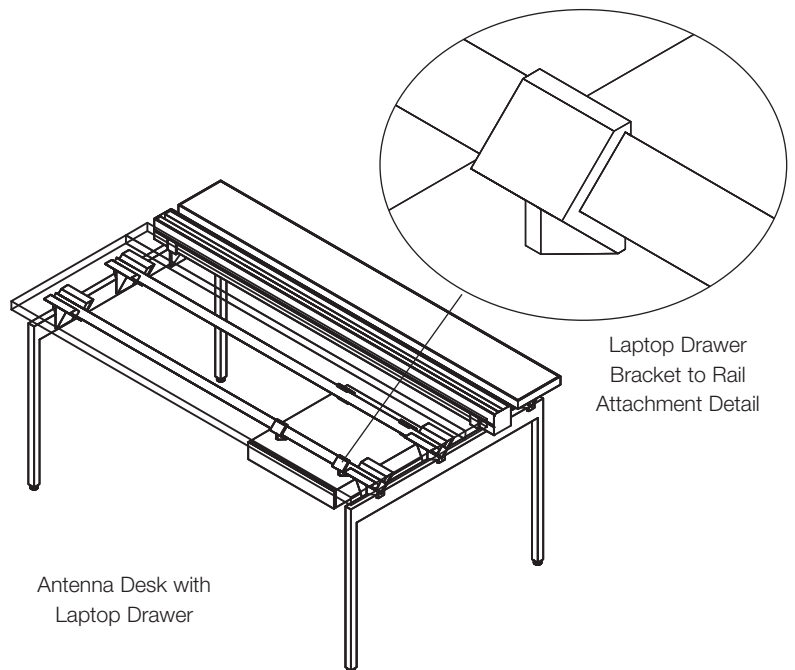
30"D Top with 27" D Laptop Drawer Plan View



36"D Top with 30" D Laptop Drawer Plan View



Antenna Desk with Laptop Drawer Front Elevation View




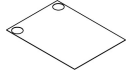
Antenna Desk with Laptop Drawer

Laptop Drawer Bracket to Rail Attachment Detail

Laptop Drawer

15" Wide

description	type	w	d	h	pattern no.	list
	For Use With 24" or 27" Deep Desk or Big Table	15"	21"	3 1/2"	YSAD21	\$987.
	For Use With 30" Deep Desk or Big Table	15"	27"	3 1/2"	YSAD27	1,032.
	For Use With 36" Deep Desk or Big Table	15"	30"	3 1/2"	YSAD30	1,202.

Drawer Pad (with grommet shown) 	For Use With a Laptop Drawer w/o a Grommet				YSADPADN	87.
	For Use With a Laptop Drawer With a Grommet				YSADPADG	87.

Cable Net 	For Use With 21" Deep Laptop Drawer				YSAD21NET	45.
	For Use With 27" D or 30"D Laptop Drawer				YSAD27NET	58.

Pencil Tray 	Black Finish	13 1/4"	5 7/8"	7/8"	YAPTN	42.
	Clear Finish	13 1/4"	5 7/8"	7/8"	YAPTC	49.

Ordering Information

Laptop Drawer

1. Pattern Number
2. Paint Finish

Drawer Pad/Cable Net

1. Pattern Number

Order Code

Laptop Drawer

Example: **YSAD21, 118T**

YS	Storage
AD	Drawer
21	Depth
118T	Bright White Paint

Drawer Pad

Example: **YSADPADG**

YS	Storage
AD	Drawer
PAD	Pad
G	With Grommet

Included With

Laptop Drawer

Brackets
Hardware

Drawer pad, cable net and pencil tray are specified separately from laptop drawer.

Options

Laptop Drawer

Laptop drawers have grommets in the bottom of the drawer and are always locking.

Suspended Storage

Wood Files

Planning Guidelines and Specifications

Suspended Wood File

The suspended wood file combines personal storage and filing in a single unit. Suspended wood files attach to 24", 27", 30" or 36" deep desks or big tables. This wood construction cabinet suspends from desk or big table rails and includes a standard letter by legal file drawer. The full file front is 15" x 15" and mounted to a full extension file drawer. The personal drawer is 1" high with independent slides accessible behind the file drawer front.

Suspended wood files can be specified in all laminate or veneer, laminate with veneer front, or mixed surface laminate: "Interior" of laminate open back storage area can be specified in a contrasting core or "pop" laminate.

Cabinets must be specified 3" less than the top depth, inset 1 1/2" from front and back. Cabinet is divided by a vertical partition 18" from the front, and an open shelf storage area in the remaining 3" of a 24"D file, 6" of a 27"D file and 12" of a 33"D file.

File can be mounted to desk rails in the space "outside" a desk end leg inset 15", if the other end of a top is stabilized by being connected to Fence or a perpendicular desk. Suspended file cabinets should be mounted between table desk end legs for freestanding desk applications. Desk rails should be connected to a cantilevered top by YCBDE rail end to top supports.

Suspended file can be ordered with or without a lock in the drawer face and it includes hanger brackets.

Suspended wood files do not accept pencil trays.

Construction

Case is composed of 3/4" thick wood panels, with discreet glue-and-dowel connections

Specification Options

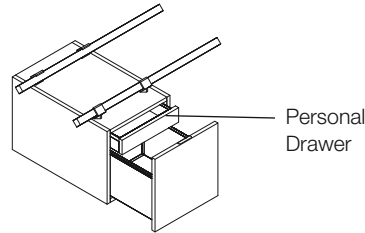
Specify laminate (L), "mixed" two-tone laminate or laminate case with veneer front (M) or veneer (V) case. Wood files are available either locking (L) or non-locking (N).

Case finish exterior is available in any Knoll Core laminate or veneer. When the case exterior is laminate, case interior and inset back are available in any Knoll Core or Accent laminate. When an Accent laminate is specified, the edgeband will match the exterior core laminate finish. When case exterior is specified laminate, specify drawer front finish in any Knoll Core laminate (L) or veneer (V).

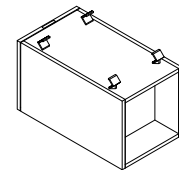
Specify pull type: Edge (E), Insert (I) or Loop (O). Edge pulls are available in any Knoll Core paint finish, Dark Red, Slate Blue or in Chrome (PD). Loop pulls are available in any Knoll Core paint finish, Dark Red or Slate Blue. Insert pulls are available in Chrome (PD).

Suspension brackets may be specified in any Knoll Core paint finish, Dark Red or Slate Blue.

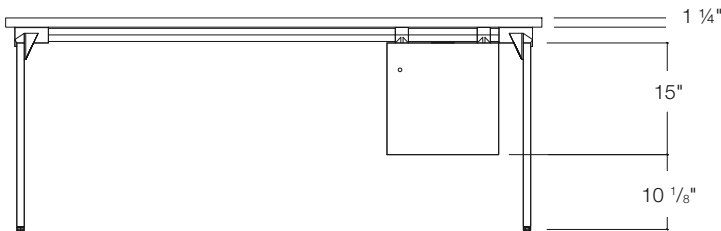
Case Sizes	Back
21"D for 24"D top	Flush back only
24"D for 27"D top	3"D shelf, binder height
27"D for 30"D top	6"D shelf, binder height
33"D for 36"D top	12"D shelf, binder height



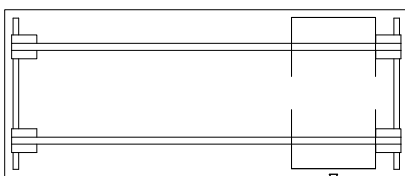
Suspended Wood File, Front View



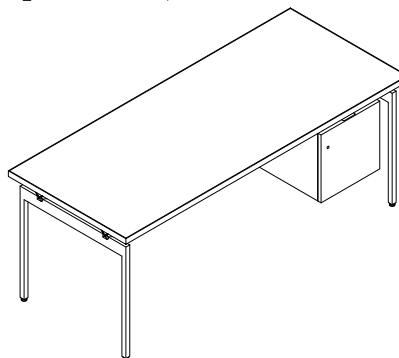
Suspended Wood File, Back View



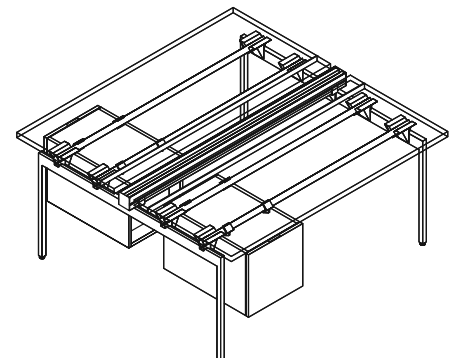
Desk with Suspended Wood File Front Elevation



Desk with Suspended Wood File Plan View

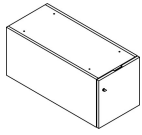


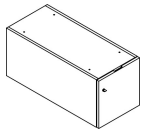
Desk with Suspended Wood File



Big Table with Suspended Wood Files

Suspended Storage Laminate Wood File 15" Wide

description	type	w	d	h	pattern no.	All Same	Different	Different	Laminate	Laminate	Laminate
						Laminate (Core Lam.) (L)	Laminate Case/ Interior/Front (Core Lam.) (L)	Laminate Case/ Interior/Front (Accent Lam.) (L)			
 Suspended Laminate Wood Files For Use With Desks	For 24" Deep Top	15"	21"	15"	YSSPF21()L	\$1,536.	n/a	n/a	\$1,690.	\$1,767.	\$1,844.
	For 27" Deep Top	15"	24"	15"	YSSPF24()L	1,597.	1,756.	2,073.	1,756.	1,835.	1,914.
	For 30" Deep Top	15"	27"	15"	YSSPF27()L	1,654.	1,819.	2,152.	1,819.	1,902.	1,986.
	For 36" Deep Top	15"	33"	15"	YSSPF33()L	1,715.	1,885.	2,228.	1,885.	1,971.	2,057.

 Suspended Laminate Wood Files For Use With Big Tables	For 24" Deep Top	15"	21"	15"	YSSPF21()L	1,536.	n/a	n/a	1,690.	1,767.	1,844.
	For 27" Deep Top	15"	24"	15"	YSSPF24B()L	1,597.	1,756.	2,073.	1,756.	1,835.	1,914.
	For 30" Deep Top	15"	27"	15"	YSSPF27B()L	1,654.	1,819.	2,152.	1,819.	1,902.	1,986.
	For 36" Deep Top	15"	33"	15"	YSSPF33B()L	1,715.	1,885.	2,228.	1,885.	1,971.	2,057.

Ordering Information

Suspended Wood File

1. Pattern Number
2. Exterior Case Finish
3. Interior Case Finish (Laminate only)
4. Drawer Front Finish
5. Pull Type
6. Pull Finish
7. Bracket Paint Finish

Order Code

Suspended Wood File

Example: **YSSPF24LL, 118, 118, 118, E, 118T, 118T**

YSSPF	Suspended Wood File
24	Depth
L	Laminate
L	Lock
118	Bright White Laminate Exterior
118	Bright White Laminate Interior
118	Bright White Laminate Front
E	Edge Pull
118T	Bright White Painted Pull
118T	Bright White Painted Brackets

Included With

Suspended Wood File

Brackets
Hardware

Options

Suspended Wood File

Case and Front Finish Options:

(L) = All the same laminate or different laminates for the exterior case, interior case and/or drawer front
(M) = Laminate case with a veneer front

Drawer Front Pull Options:

(E) = Edge Pull
(I) = Insert Pull
(O) = Loop Pull

See planning guide page for drawer pull finish options.

Lock Options:

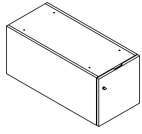
To specify a suspended wood file cabinet without a lock, replace the "L" suffix in the pattern number with an "N".

Suspended Storage

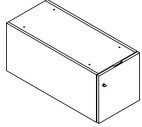
Veneer Wood File

15" Wide

description	type	w	d	h	pattern no.	All V1	All V2	All V3
Suspended Veneer Wood Files For Use With Desks	For 24" Deep Top	15"	21"	15"	YSSPF21VL	\$2,305.	\$2,651.	\$3,444.
	For 27" Deep Top	15"	24"	15"	YSSPF24VL	2,394.	2,752.	3,578.
	For 30" Deep Top	15"	27"	15"	YSSPF27VL	2,481.	2,853.	3,711.
	For 36" Deep Top	15"	33"	15"	YSSPF33VL	2,510.	2,888.	3,754.



Suspended Veneer Wood Files For Use With Big Tables	For 24" Deep Top	15"	21"	15"	YSSPF21BVL	2,305.	2,651.	3,444.
	For 27" Deep Top	15"	24"	15"	YSSPF24BVL	2,394.	2,752.	3,578.
	For 30" Deep Top	15"	27"	15"	YSSPF27BVL	2,481.	2,853.	3,711.
	For 36" Deep Top	15"	33"	15"	YSSPF33BVL	2,510.	2,888.	3,754.



Ordering Information

Suspended Wood File

1. Pattern Number
2. Case and Drawer Front Finish
3. Pull Type
4. Pull Finish
5. Bracket Paint Finish

Order Code

Suspended Wood File

Example: **YSSPF24VL, Y316, E, 118T, 118T**

YSSPF	Suspended Wood File
24	Depth
V	Veneer
L	Lock
Y316	Maple Veneer
E	Edge Pull
118T	Bright White Painted Pull
118T	Bright White Painted Brackets

Included With

Suspended Wood File
Brackets
Hardware

Options

Suspended Wood File

Drawer Front Pull Options:

(E) = Edge Pull
(I) = Insert Pull
(O) = Loop Pull

See planning guide page for drawer pull finish options.

Lock Options:

To specify a suspended wood file cabinet without a lock, replace the "L" suffix in the pattern number with an "N".

Suspended Storage Wood Open Cabinets Planning Guidelines and Specifications

Suspended Open Cabinets

Suspended open cabinets offer personal storage shelves accessible from front, back or end of desks or big tables. Front access cabinets may be specified with 18", 24", 27", 30" or 36"D desk or big table tops. Side access cabinets attach to the end of 24", 27", 30" or 36"D desk or big tables.

Suspended open cabinets are wood construction and suspended from desk or big table top rails at any point. Suspended wood cabinets can be specified in all laminate or veneer or mixed surface laminate: all "Interior" surfaces of laminate open storage areas can be specified in a contrasting core or accent laminate.

Front access cabinets are sized 15"H and 15"W and must be specified in case depths 3" less than the top depth, inset 1 1/2" from front and back.

Cabinet with front and back access is divided by a centered vertical partition, creating a 13 1/2"H binder height shelf on the "back" and a horizontal partition dividing the "front" section. Cabinet can be installed in either orientation. Case 15"D has flush back panel in "exterior" surface on back. Partitions for 21" and deeper open cabinets are considered "interior" surface on both faces.

Cabinet with side access provides full surround, 13 1/2"H x 14"D shelf corresponding to depth of desk or big table top. Front and back panels are 15"x15" fixed panels, case "width" is 21", 24", 27" or 33"D.

Suspended cabinets should be mounted between freestanding desk end legs. Cabinets can be mounted to desk rails in the space "outside" a desk end leg inset 15", if the other end of a top is stabilized by being

connected to a Fence or perpendicular desk. Cabinets include hanger brackets.

Construction

Case is composed of 3/4" thick wood panels, with discreet glue-and-dowel connections.

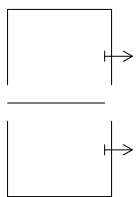
Specification Options

Specify laminate (L), "mixed" two-tone laminate (M) or veneer (V) case.

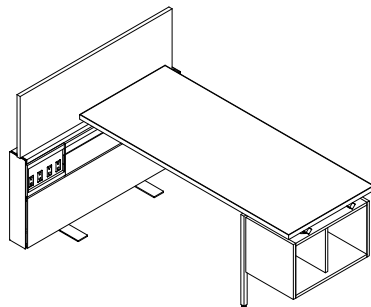
Case finish exterior is available in any Knoll Core laminate or veneer. When the case exterior is laminate, case interior and inset back are available in any Knoll Core or Accent laminate. When an Accent laminate is specified, the edgeband will match the exterior core laminate finish.

Suspension brackets may be specified in any Knoll Core paint finish, Dark Red or Slate Blue.

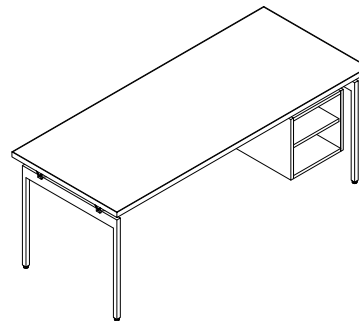
Case Sizes	Front	Back	Side Access Shelf
15"D for 18"D top	14"D shelf	no shelf	not available
21"D for 24"D top	10"D shelf, divided	10"D shelf, binder height	14"D shelf
24"D for 27"D top	11 1/2"D shelf, divided	11 1/2"D shelf, binder height	14"D shelf
27"D for 30"D top	13"D shelf, divided	13"D shelf, binder height	14"D shelf
33"D for 36"D top	16"D shelf, divided	16"D shelf, binder height	N/A



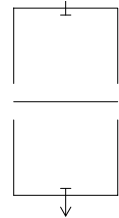
Suspended Side Access Open Cabinet



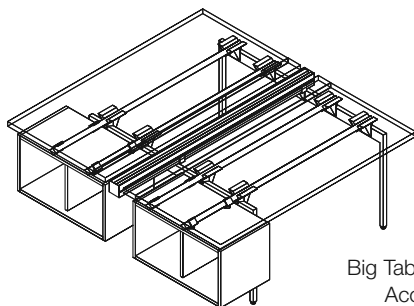
Fence Supported Desk with Suspended Side Access Open Cabinet



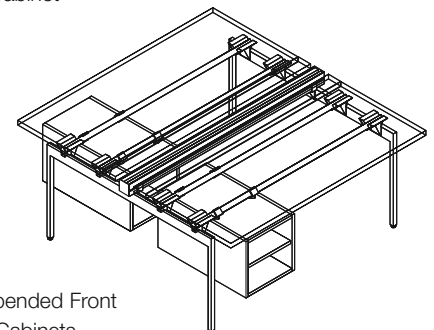
Desk with Suspended Front Access Open Cabinet



Suspended Open Front Access Cabinet



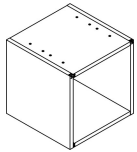
Big Table with Suspended Side Access Open Cabinets



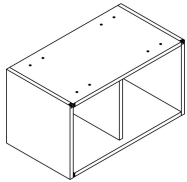
Big Table with Suspended Front Access Open Cabinets

Suspended Storage Laminate Open Cabinets 15" Wide

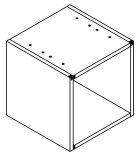
description	type	w	d	h	pattern no.	All Same Laminates (Core Lam.)	Different Laminate	Different Laminate
							Case/Interior (Core Lam.)	Case/Interior (Accent Lam.)
Suspended Laminate Open Cabinets with Front and Back Access For Use With Desks	For 18" Deep Top	15"	15"	15"	YSSOF15L	\$1,063.	\$1,170.	\$1,382.
	For 24" Deep Top	15"	21"	15"	YSSOF21L	1,182.	1,301.	1,536.
	For 27" Deep Top	15"	24"	15"	YSSOF24L	1,241.	1,366.	1,613.
	For 30" Deep Top	15"	27"	15"	YSSOF27L	1,301.	1,430.	1,690.
	For 36" Deep Top	15"	33"	15"	YSSOF33L	1,418.	1,560.	1,844.



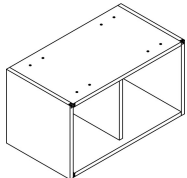
Suspended Laminate Open Cabinets with Side Access For Use With Desks	For 24" Deep Top	15"	21"	15"	YSSOS21L	1,182.	1,301.	1,536.
	For 27" Deep Top	15"	24"	15"	YSSOS24L	1,241.	1,366.	1,613.
	For 30" Deep Top	15"	27"	15"	YSSOS27L	1,301.	1,430.	1,690.



Suspended Laminate Open Cabinets with Front and Back Access For Use With Big Tables	For 18" Deep Top	15"	15"	15"	YSSOF15L	1,063.	1,170.	1,382.
	For 24" Deep Top	15"	21"	15"	YSSOF21L	1,182.	1,301.	1,536.
	For 27" Deep Top	15"	24"	15"	YSSOF24BL	1,241.	1,366.	1,613.
	For 30" Deep Top	15"	27"	15"	YSSOF27BL	1,301.	1,430.	1,690.
	For 36" Deep Top	15"	33"	15"	YSSOF33BL	1,418.	1,560.	1,844.



Suspended Laminate Open Cabinets with Side Access For Use With Big Tables	For 24" Deep Top	15"	21"	15"	YSSOS21L	1,182.	1,301.	1,536.
	For 27" Deep Top	15"	24"	15"	YSSOS24BL	1,241.	1,366.	1,613.
	For 30" Deep Top	15"	27"	15"	YSSOS27BL	1,301.	1,430.	1,690.



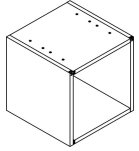
Ordering Information	Order Code	Included With	Options
Suspended Open Cabinet	Suspended Open Cabinet	Suspended Open Cabinet	Suspended Open Cabinet
1. Pattern Number	<i>Example:</i> YSSOF24L, 118, 118, 118T	Brackets	
2. Exterior Case Finish	YSSOF Suspended Open Cabinet	Hardware	
3. Interior Case Finish (Laminate only)	L Laminate Case		
4. Bracket Paint Finish	118 Bright White Exterior		
	118 Bright White Interior		
	118T Bright White Brackets		

Suspended Storage

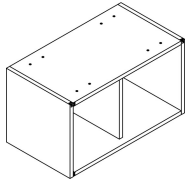
Veneer Open Cabinets

15" Wide

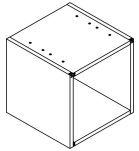
description	type	w	d	h	pattern no.	All V1	All V2	All V3
Suspended Veneer Open Cabinets with Front and Back Access For Use With Desks	For 18" Deep Top	15"	15"	15"	YSSOF15V	\$1,439.	\$1,654.	\$2,152.
	For 24" Deep Top	15"	21"	15"	YSSOF21V	1,645.	1,891.	2,458.
	For 27" Deep Top	15"	24"	15"	YSSOF24V	1,695.	1,950.	2,534.
	For 30" Deep Top	15"	27"	15"	YSSOF27V	1,746.	2,010.	2,612.
	For 36" Deep Top	15"	33"	15"	YSSOF33V	1,850.	2,127.	2,767.



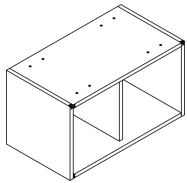
Suspended Veneer Open Cabinets with Side Access For Use With Desks	For 24" Deep Top	15"	21"	15"	YSSOS21V	1,645.	1,891.	2,458.
	For 27" Deep Top	15"	24"	15"	YSSOS24V	1,695.	1,950.	2,534.
	For 30" Deep Top	15"	27"	15"	YSSOS27V	1,746.	2,010.	2,612.



Suspended Veneer Open Cabinets with Front and Back Access For Use With Big Tables	For 18" Deep Top	15"	15"	15"	YSSOF15V	1,439.	1,654.	2,152.
	For 24" Deep Top	15"	21"	15"	YSSOF21V	1,645.	1,891.	2,458.
	For 27" Deep Top	15"	24"	15"	YSSOF24BV	1,695.	1,950.	2,534.
	For 30" Deep Top	15"	27"	15"	YSSOF27BV	1,746.	2,010.	2,612.
	For 36" Deep Top	15"	33"	15"	YSSOF33BV	1,850.	2,127.	2,767.



Suspended Veneer Open Cabinets with Side Access For Use With Big Tables	For 24" Deep Top	15"	21"	15"	YSSOS21V	1,645.	1,891.	2,458.
	For 27" Deep Top	15"	24"	15"	YSSOS24BV	1,695.	1,950.	2,534.
	For 30" Deep Top	15"	27"	15"	YSSOS27BV	1,746.	2,010.	2,612.



Ordering Information

Suspended Open Cabinet

1. Pattern Number
2. Exterior Case Finish
3. Bracket Paint Finish

Order Code

Suspended Open Cabinet

Example: **YSSOF24V, Y316, 118T**

YSSOF	Suspended Open Cabinet
V	Veneer Case
Y316	Maple Exterior
118T	Bright White Painted Brackets

Included With

Suspended Open Cabinet

Brackets
Hardware

Options

Suspended Open Cabinet

Extension Cabinets

For Desks

Planning Guidelines and Specifications

Above Desk Extension Cabinets

Above desk extension cabinet is wood construction, open binder storage that provides some seated privacy at a horizon of 42" on standard height desk. Bottom of cabinet aligns with end of adjacent desk top. Back of cabinet is inset 1/2" to provide niche for optional fabric insert.

Cabinets can be specified in all laminate or veneer or mixed surface laminate: all "Interior" surfaces of laminate open storage areas can be specified in a contrasting core or "pop" laminate. Inset back is considered an interior surface on both faces.

Cabinets are sized 15"H and 15"D and must be specified in case widths to match top depth: 18", 24", 27", 30" or 36". Interior binder storage height is 13".

Desk extension cabinets mount to desk rails specified 12" longer than top normally requires. Specify YSDXUP or YBCDE rail to extension brackets separately and accordingly.

Above desk extension cabinets can not be installed in the same location as a below desk extension cabinet.

Construction

Case is composed of 1 3/16" thick bottom (to match desk top) and 3/4" thick sides, back and top panels, with discreet glue-and-dowel connections. 36" wide cabinet has center vertical partition.

Veneer grain direction is horizontal on back, vertical on sides.

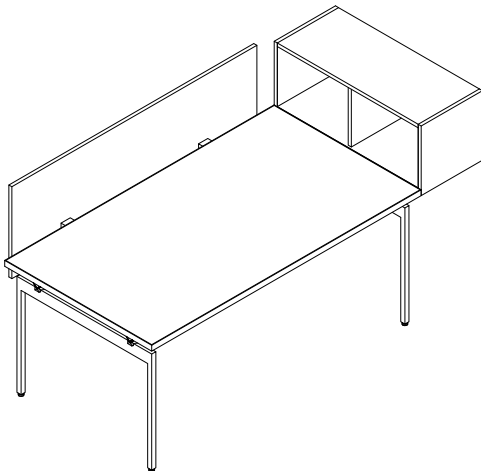
Laminate cabinet matches interior finish on both faces.

Specification Options

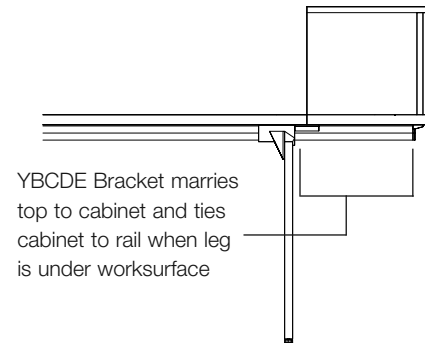
Specify laminate (L), "mixed" two-tone laminate (M) or veneer (V) case.

Case finish exterior is available in any Knoll Core laminate or veneer. When the case exterior is laminate, case interior and inset back are available in any Knoll Core or Accent laminate. When an Accent laminate is specified, the edgeband will match the exterior core laminate finish.

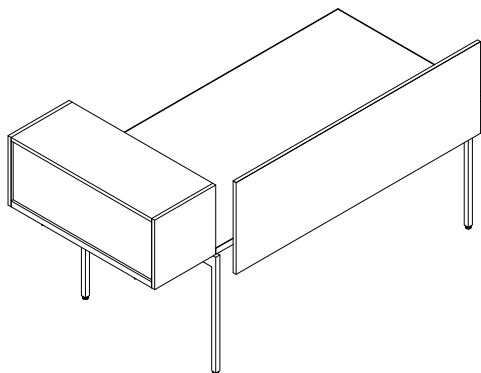
Specify mounting brackets separately.



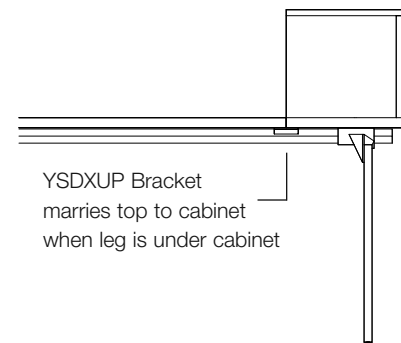
Above Desk Extension Cabinet Front



Above Desk Extension Cabinet Elevation, Leg Under Worksurface



Above Desk Extension Cabinet Back



Above Desk Extension Cabinet Elevation, Leg Under Cabinet

Extension Cabinets

For Desks

Planning Guidelines and Specifications

Below Desk Extension Cabinets

Below desk extension cabinet is wood construction, open binder storage that aligns with and provides some enclosure below the end of desk or return. Back of cabinet is open 2" below the top of the cabinet to permit desk support rails to extend inside. Binder opening faces away from the kneespace.

Cabinets can be specified in all laminate or veneer or mixed surface laminate: all "Interior" surfaces of laminate open storage areas can be specified in a contrasting core or "pop" laminate. Outside of flush back is considered an exterior surface.

Cabinets are sized 15 1/2"H and 15"D and must be specified in case widths to match top depth: 24", 27", 30" or 36". Interior binder storage height below rails is 13".

Desk extension cabinets mount to desk rails specified 12" longer than top normally requires. Specify YBCDE rails to extension brackets separately.

Above desk extension cabinets can not be installed in the same location as a below desk extension cabinet.

Construction

Case is composed of 1 3/16" thick top (to match desk top) and 3/4" thick sides, back and bottom panels, with discreet glue-and-dowel connections. 36" wide cabinet has center vertical partition.

Veneer grain direction is horizontal on back, vertical on sides.

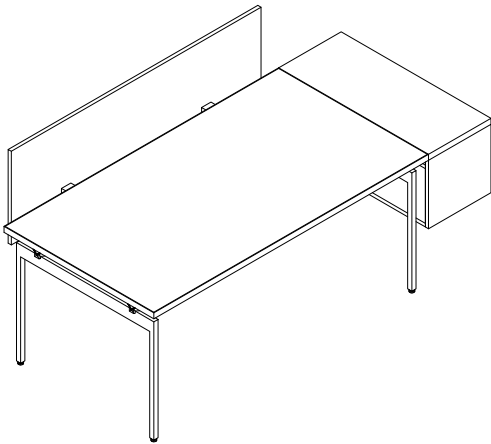
Laminate cabinet back matches exterior finish.

Specification Options

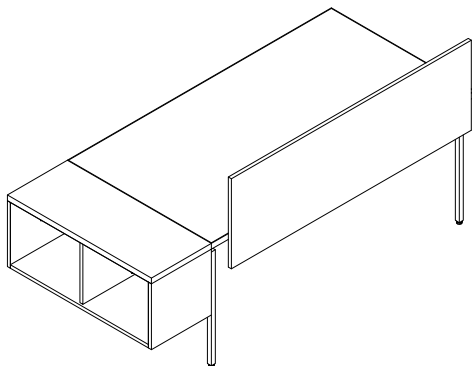
Specify laminate (L), "mixed" two-tone laminate (M) or veneer (V) case.

Case finish exterior is available in any Knoll Core laminate or veneer. When the case exterior is laminate, case interior is available in any Knoll Core or Accent laminate. When an Accent laminate is specified, the edgeband will match the exterior core laminate finish.

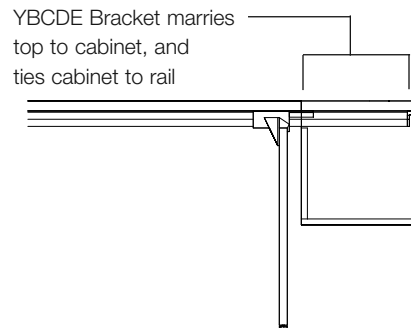
Specify mounting brackets separately.



Below Desk Extension Cabinet Front



Below Desk Extension Cabinet Back

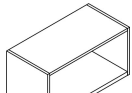


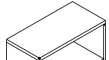
Below Desk Extension Cabinet Elevation

Extension Cabinets

For Desks

Above and Below Tops

description	type	width	depth	height	pattern number	list	All Same	Different	Different	All V1	All V2	All V3
							Laminate (Core Lam.) (L)	Laminate Case/ Interior (Core Lam.) (L)	Laminate Case/ Interior (Accent Lam.) (L)			
	For 18" Deep Top	15"	18"	14 ³ / ₄ "	YSDXOS1815()	\$0.	\$1,124.	\$1,235.	\$1,461.	\$1,540.	\$1,773.	\$2,305.
	For 24" Deep Top	15"	24"	14 ³ / ₄ "	YSDXOS2415()	0.	1,182.	1,301.	1,536.	1,645.	1,891.	2,458.
	For 27" Deep Top	15"	27"	14 ³ / ₄ "	YSDXOS2715()	0.	1,241.	1,366.	1,613.	1,695.	1,950.	2,530.
	For 30" Deep Top	15"	30"	14 ³ / ₄ "	YSDXOS3015()	0.	1,301.	1,430.	1,690.	1,746.	2,010.	2,612.
	For 36" Deep Top	15"	36"	14 ³ / ₄ "	YSDXOS3615()	0.	1,418.	1,495.	1,767.	1,850.	2,127.	2,767.

	For 24" Deep Top	15"	24"	14 ³ / ₄ "	YSDXSS2415()	0.	1,182.	1,301.	1,536.	1,645.	1,891.	2,458.
	For 27" Deep Top	15"	27"	14 ³ / ₄ "	YSDXSS2715()	0.	1,241.	1,366.	1,613.	1,695.	1,950.	2,530.
	For 30" Deep Top	15"	30"	14 ³ / ₄ "	YSDXSS3015()	0.	1,301.	1,430.	1,690.	1,746.	2,010.	2,612.
	For 36" Deep Top	15"	36"	14 ³ / ₄ "	YSDXSS3615()	0.	1,418.	1,560.	1,844.	1,850.	2,127.	2,767.

Connector Kit for Above Desk Extension Cabinets	2 Brackets				YSDXUP	30.	0.	0.	0.	0.	0.	0.
---	------------	--	--	--	---------------	-----	----	----	----	----	----	----

Connector Kit for Above or Below Desk Extension Cabinets	2 Brackets				YBCDE	47.	0.	0.	0.	0.	0.	0.
--	------------	--	--	--	--------------	-----	----	----	----	----	----	----

Ordering Information

Extension Cabinets

1. Pattern Number
2. Exterior Case Finish
3. Interior Case Finish (Laminate only)

Mounting Brackets

1. Pattern Number
2. Paint Finish

Order Code

Extension Cabinets

Example: **YSDXSS2415L, 118, 118**

YSDXSS Below Desk Extension Cabinets

24 Depth

15 Width

L Laminate

118 Bright White Laminate

118 Bright White Laminate

Mounting Brackets

Example: **YBCDE, 118T**

YBCDE Mounting Brackets

118T Bright White Paint

Included With

Extension Cabinets

Specify extension cabinet mounting brackets separately.

Specify rails 12" longer than required top when specifying extension cabinets.

Mounting Brackets

Hardware

Options

Extension Cabinets

Case Finish Options:

(L) = All the same or different laminates for the exterior and interior case

(V) = All the same veneer for the exterior and interior case

Extension Cabinets

For Dual Sided Big Tables

Planning Guidelines and Specifications

Above Desk Extension Cabinets for Big Table

Above desk extension cabinet is wood construction, open binder storage that provides some seated privacy at a horizon of 42" on standard height big table. Bottom of cabinet aligns with ends of adjacent desk tops. Back of cabinet is inset 1/2" to provide niche for optional fabric insert.

Cabinets can be specified in all laminate or veneer or mixed surface laminate: all "Interior" surfaces of laminate open storage areas can be specified in a contrasting core or "pop" laminate. Inset back is considered an interior surface on both faces.

Cabinets are sized 15"H and 15"D and must be specified in case widths to match overall big table depth with center beam:

- 53 1/2" case for dual 24" big table
- 59 1/2" case for dual 27" big table
- 65 1/2" case for dual 30" big table
- 77 1/2" case for dual 36" big table

All cabinets have a center partition recessed 1/2" from front edge. 77 1/2" deep cabinets for 36" deep big tables have two center partitions. Interior binder storage height is 13".

Big table extension cabinets mount to desk rails specified 12" longer than tops normally require. Specify YBTE rails to extension brackets separately.

Above desk extension cabinets for big table can not be installed in the same location as a below desk extension cabinet for big table.

Construction

Case is composed of 1 3/16" thick bottom (to match desk top) and 3/4" thick sides, back and top panels, with discreet glue-and-dowel connections. 36" wide cabinet has center vertical partition.

Veneer grain direction is horizontal on back, vertical on sides.

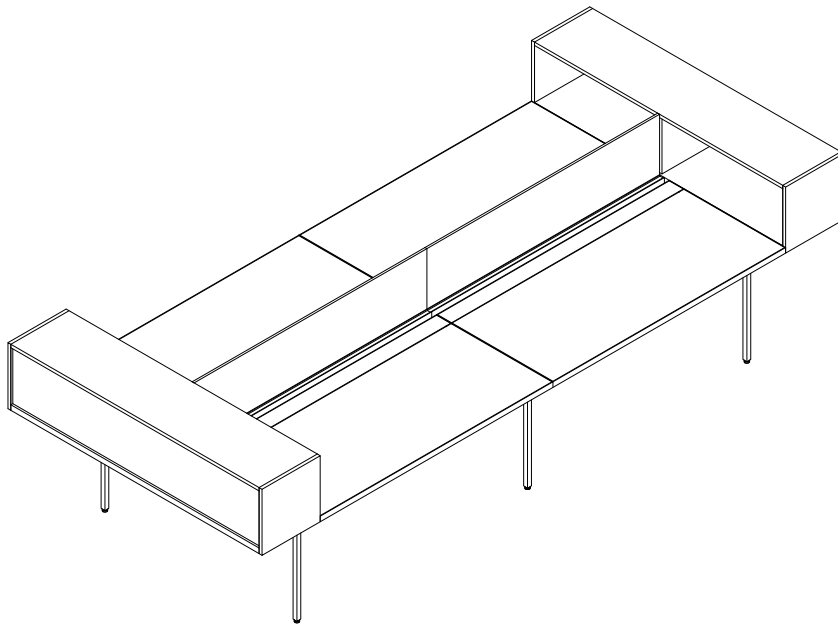
Laminate cabinet matches interior finish on both faces.

Specification Options

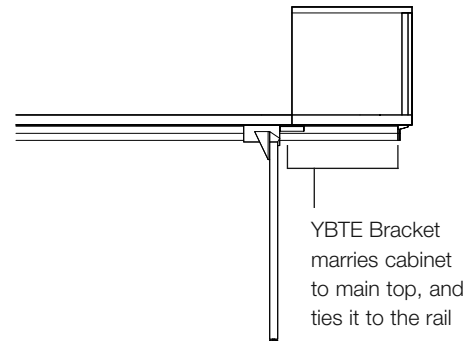
Specify laminate (L), "mixed" two-tone laminate or laminate case with veneer front (M) or veneer (V) case.

Case finish exterior is available in any Knoll Core laminate or veneer. When the case exterior is laminate, case interior and inset back are available in any Knoll Core or Accent laminate. When an Accent laminate is specified, the edgeband will match the exterior core laminate finish.

Specify mounting brackets separately.



Above Desk Extension Cabinets for Big Table



YBTE Bracket marries cabinet to main top, and ties it to the rail

Above Desk Extension Cabinet for Big Table Elevation

*End Leg must stay under the Center Beam and can not be moved out to be placed under the extension top or cabinet

Extension Cabinets

For Dual Sided Big Tables

Planning Guidelines and Specifications

Below Desk Extension Cabinets for Big Table

Below desk extension cabinet for big table is wood construction, open binder storage that aligns with and provides some enclosure below the end of dual big table. Back of cabinet is open 2" below the top of the cabinet to permit desk support rails to extend inside. Binder opening faces away from the kneespace.

Cabinets can be specified in all laminate or veneer or mixed surface laminate: all "Interior" surfaces of laminate open storage areas can be specified in a contrasting core or "pop" laminate. Outside of flush back is considered an exterior surface.

Cabinets are sized 15 1/2"H and 15"D and must be specified in case widths to match overall big table depth with center beam:

- 53 1/2" case for dual 24" big table
- 59 1/2" case for dual 27" big table
- 65 1/2" case for dual 30" big table
- 77 1/2" case for dual 36" big table

All cabinets have a center partition recessed 1/2" from front edge. 77 1/2" deep cabinets for 36" deep big tables have two center partitions. Interior binder storage height is 13".

Desk extension cabinets mount to desk rails specified 12" longer than top normally requires. Specify YBTE rails to extension brackets separately.

Above desk extension cabinets for big table can not be installed in the same location as a below desk extension cabinet for big table.

Construction

Case is composed of 1 3/16" thick top (to match desk top) and 3/4" thick sides, back and bottom panels, with discreet glue-and-dowel connections. 36" wide cabinet has center vertical partition.

Veneer grain direction is horizontal on back, vertical on sides.

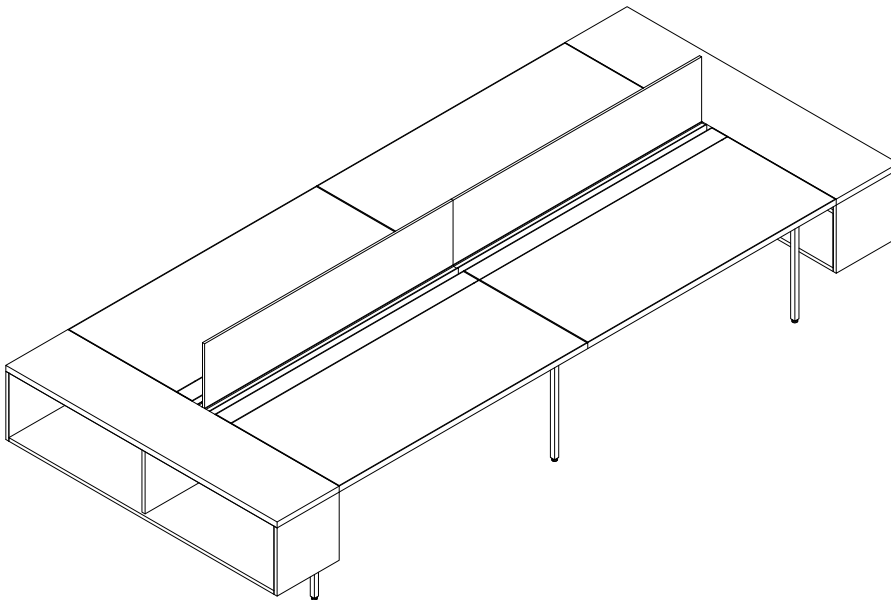
Laminate cabinet back matches exterior finish.

Specification Options

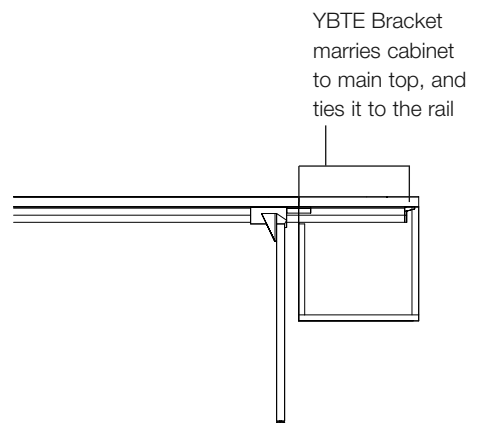
Specify laminate (L), "mixed" two-tone laminate (M) or veneer (V) case.

Case finish exterior is available in any Knoll Core laminate or veneer. When the case exterior is laminate, case interior is available in any Knoll Core or Accent laminate. When an Accent laminate is specified, the edgeband will match the exterior core laminate finish.

Specify mounting brackets separately.



Below Desk Extension Cabinets for Big Table



Below Desk Extension Cabinet for Big Table Elevation

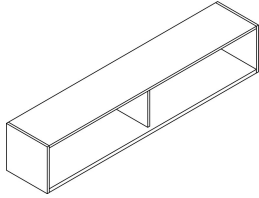
*End Leg must stay under the Center Beam and can not be moved out to be placed under the extension top or cabinet

Extension Cabinets

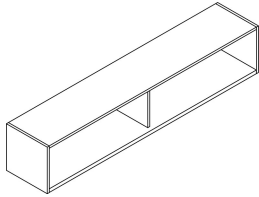
For Dual Sided Big Tables

Above and Below Tops

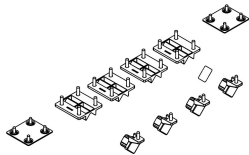
description	type	w	d	h	pattern no.	Paint	All Same	Different	Different	All V1	All V2	All V3
							Laminate (Core Lam.) (L)	Laminate Case/ Interior (Core Lam.) (L)	Laminate Case/ Interior (Accent Lam.) (L)			
Above Big Table Extension Cabinets	For 24" D Big Table	15"	53 1/2"	15"	YSDXOS5315()	n/a	\$1,773.	\$1,950.	\$2,305.	\$2,313.	\$2,659.	\$3,458.
	For 27" D Big Table	15"	59 1/2"	15"	YSDXOS5915()	n/a	1,891.	2,081.	2,458.	2,467.	2,837.	3,687.
	For 30" D Big Table	15"	65 1/2"	15"	YSDXOS6515()	n/a	2,010.	2,209.	2,612.	2,569.	2,955.	3,841.
	For 36" D Big Table	15"	77 1/2"	15"	YSDXOS7715()	n/a	2,187.	2,339.	2,767.	2,877.	3,308.	4,301.



Below Big Table Extension Cabinets	For 24" D Big Table	15"	53 1/2"	15"	YSDXSS5315()	n/a	1,773.	1,950.	2,305.	2,313.	2,659.	3,458.
	For 27" D Big Table	15"	59 1/2"	15"	YSDXSS5915()	n/a	1,891.	2,081.	2,458.	2,467.	2,837.	3,687.
	For 30" D Big Table	15"	65 1/2"	15"	YSDXSS6515()	n/a	2,010.	2,209.	2,612.	2,569.	2,955.	3,841.
	For 36" D Big Table	15"	77 1/2"	15"	YSDXSS7715()	n/a	2,187.	2,405.	2,842.	2,877.	3,308.	4,301.



Connector Kit for Above and Below Big Table Extension Cabinets	4 Brackets				YBTE	107.	n/a	n/a	n/a	n/a	n/a	n/a
--	------------	--	--	--	-------------	------	-----	-----	-----	-----	-----	-----



Ordering Information

Extension Cabinets

1. Pattern Number
2. Exterior Case Finish
3. Interior Case Finish (Laminate only)

Mounting Brackets

1. Pattern Number
2. Paint Finish

Order Code

Extension Cabinets

Example: **YSDXSS5915L, 118, 118**

YSDXSS Below Desk Extension Cabinets

59 Depth

15 Width

L Laminate

118 Bright White Laminate

118 Bright White Laminate

Mounting Brackets

Example: **YBTE, 118T**

YBTE Mounting Brackets

118T Bright White Paint

Included With

Extension Cabinets

Specify extension cabinet mounting brackets separately.

Specify rails 12" longer than required top when specifying extension cabinets.

Mounting Brackets

Hardware

Options

Extension Cabinets

Case Finish Options:

(L) = All the same or different laminates for the exterior and interior case

(V) = All the same veneer for the exterior and interior case

Fabric Inserts

Planning Guidelines and Specifications

Fabric Inserts for Above Desk or Big Table Extension Cabinets

Fabric back insert is tackable fabric panel, nominal 1/2" thick, that fits in the recess behind the back of above desk and big table extension cabinets. Fabric back inserts are 1 1/2" less wide and 2" less high than cabinet to fit between sides, top and bottom.

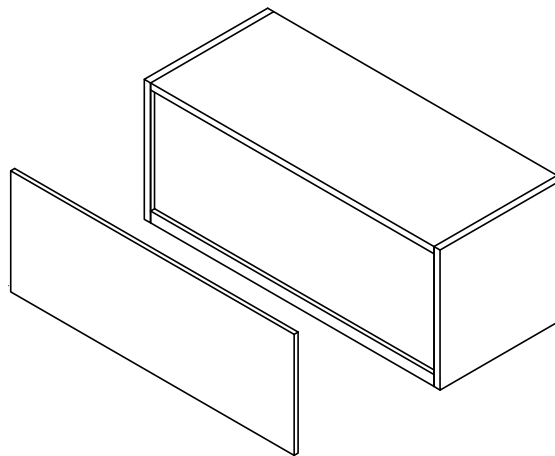
Fabric back insert is not applicable in below desk extension cabinets.

Construction

Fabric back insert is 1/2" tackable tile with fabric applied on exterior surface and edges. Fabric inserts are installed using double-sided adhesive tape, which is included. Two fabric inserts are included for big table extension cabinet applications.

Specification Options

Fabric inserts may be specified in any Antenna approved textile. For Customers Own Material (COM) applications, see yardage chart in front of Price List.





Fabric Inserts are Installed in the Back of Above Desk or Big Table Extension Cabinets

Extension Cabinets

Fabric Inserts

For Desk and Big Table Cabinets

description	type	w	d	h	pattern no.	grade				
						10	20	30	40	45
Fabric Inserts for Above Desk Extension Cabinets 	For 18" Deep Top	1/2"	16 1/2"	13"	YSDXFB18	\$190.	\$197.	\$203.	\$211.	\$219.
	For 24" Deep Top	1/2"	22 1/2"	13"	YSDXFB24	190.	197.	203.	211.	219.
	For 27" Deep Top	1/2"	25 1/2"	13"	YSDXFB27	190.	197.	203.	211.	219.
	For 30" Deep Top	1/2"	28 1/2"	13"	YSDXFB30	190.	197.	203.	211.	219.
	For 36" Deep Top	1/2"	34 1/2"	13"	YSDXFB36	201.	209.	217.	225.	235.
Fabric Inserts for Above Big Table Extension Cabinets 	For 24" Deep Dual Big Table	1/2"	52"	13"	YSDXFB53	239.	248.	259.	267.	276.
	For 27" Deep Dual Big Table	1/2"	58"	13"	YSDXFB59	239.	248.	259.	267.	276.
	For 30" Deep Dual Big Table	1/2"	64"	13"	YSDXFB65	264.	274.	286.	296.	307.
	For 36" Deep Dual Big Table	1/2"	76"	13"	YSDXFB77	264.	274.	286.	296.	307.

Ordering Information

- Fabric Inserts**
 1. Pattern Number
 2. Fabric Finish

Order Code

Extension Cabinets
Example: **YSDXFB30, W351**
YSDXFB Fabric Insert
30 Width
W351 Foundation

Included With

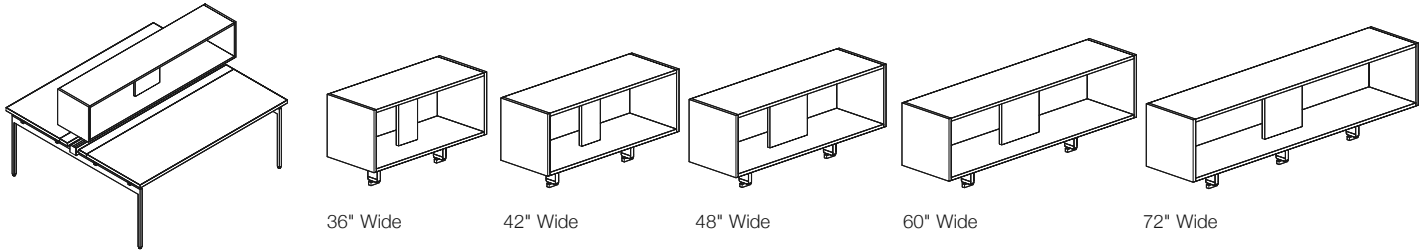
Fabric Inserts

Options

Fabric Inserts

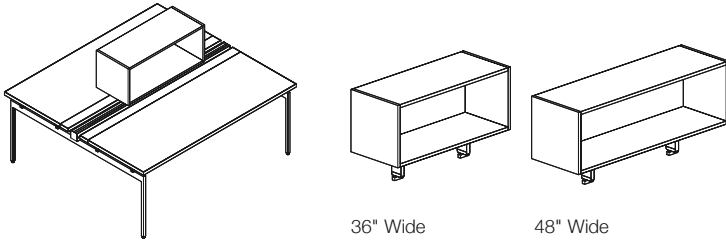
Wood Storage

Open Front and Back Cabinets



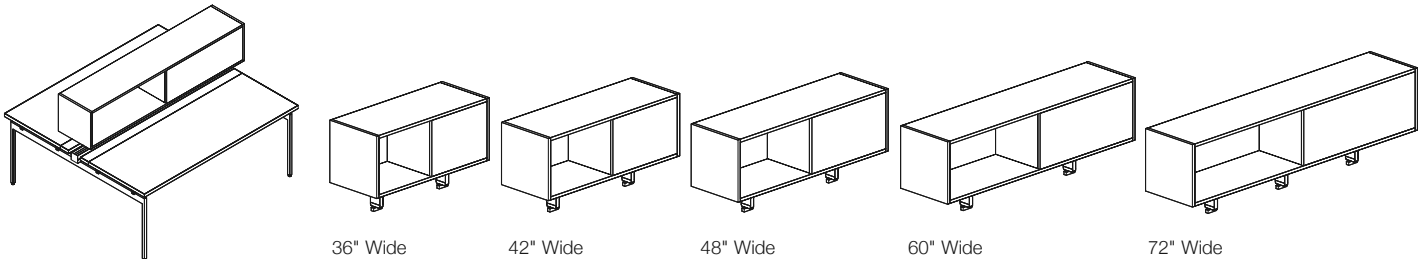
Dual Big Table with Stanchion Mounted
Open Front and Back Cabinet

Open Front and Enclosed Back Cabinets



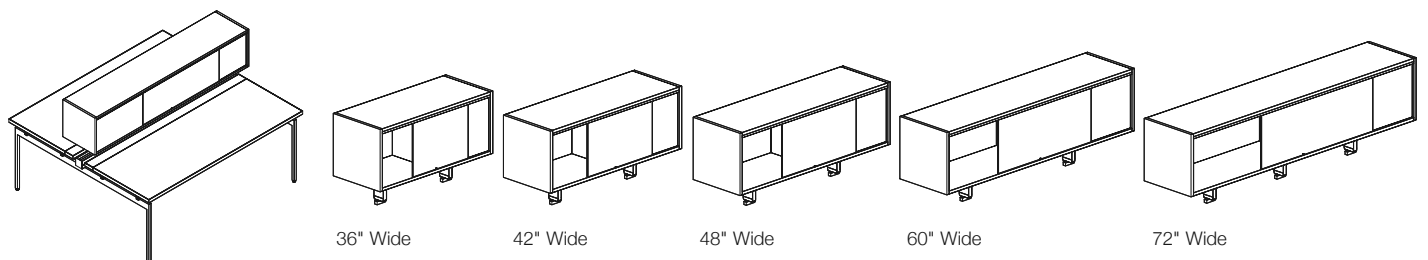
Dual Big Table with Stanchion Mounted
Open Front and Enclosed Back Cabinet

Shared Open Front and Enclosed Back Cabinets



Dual Big Table with Stanchion Mounted Shared
Open Front and Enclosed Back Cabinet

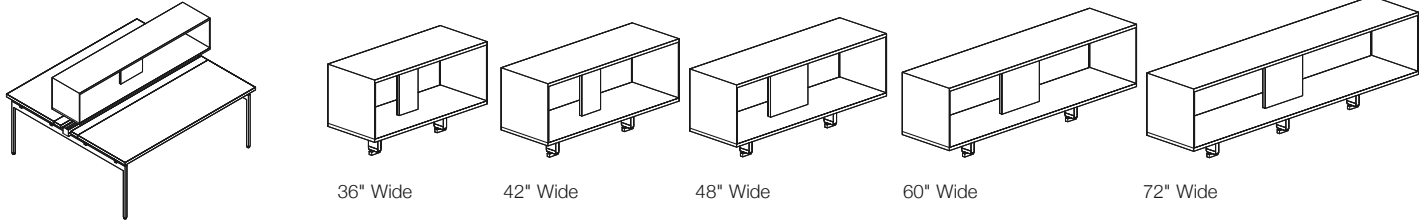
Shared Sliding Door Cabinets



Dual Big Table with Stanchion Mounted
Shared Sliding Door Cabinet

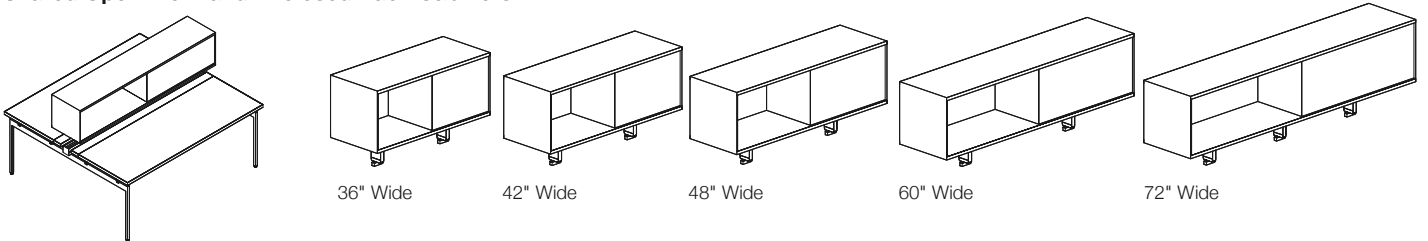
Metal Storage

Open Front and Back Cabinets



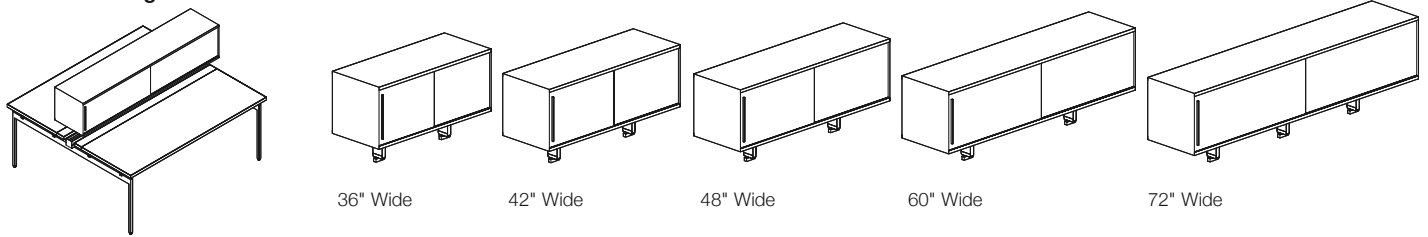
Dual Big Table with Stanchion Mounted Open Front and Back Cabinet

Shared Open Front and Enclosed Back Cabinets



Dual Big Table with Stanchion Mounted Shared Open Front and Enclosed Back Cabinet

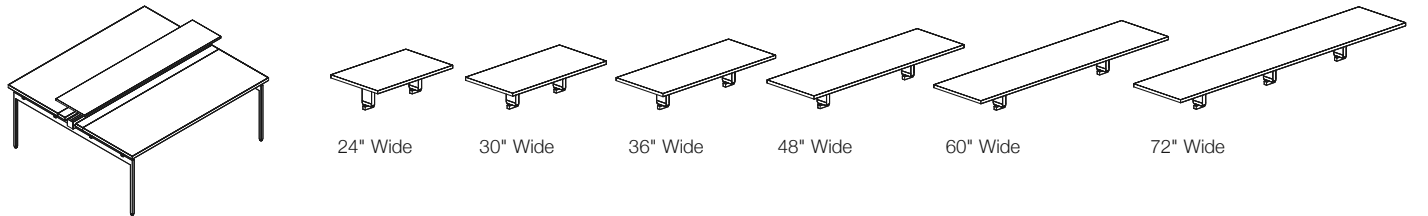
Shared Sliding Door Cabinets



Dual Big Table with Stanchion Mounted Shared Sliding Door Cabinet

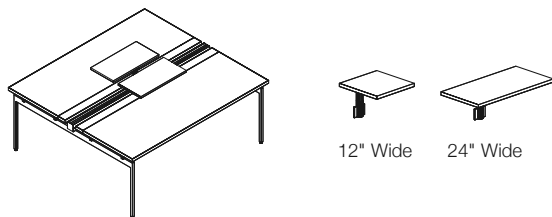
Shelves

Platform Shelves



Dual Big Table with Platform Shelf

Cantilever Shelves



Dual Big Table with Cantilever Shelves

Stanchion Mounted Wood Storage For Big Table and Fence Planning Guidelines and Specifications

Stanchion Mounted Open Wood Cabinets

Stanchion mounted open wood cabinets provide binder storage within easy reach from a seated position. Cabinets are available in two configurations: open front with enclosed back, for one-sided use, and open both front and back for shared use.

Cabinets mount on big table center beam or on Fence, with storage stanchion supports, specified separately.

Open front and back cabinets are available in 36", 48", 60" and 72" widths. A center panel parallel to the open front and back provides structural support, and serves to filter sightlines through the cabinet. Cabinets 36"W have a

6" wide center panel, cabinets 42" and wider have a 12" wide center panel. Support panel and all interior surfaces can be specified in a different laminate than exterior surfaces.

Enclosed back cabinets are available in 36" and 48" widths. Enclosed back cabinet has a full back, recessed 1/2" for optional fabric insert, specified separately.

Both sides of recessed back are considered interior surfaces, if specifying two-tone laminate finishes.

All stanchion mounted cabinets are 15"H x 15"D, with 13 1/2" clear interior height for binder storage. Cabinet sides, top and bottom are 3/4" thick, in laminate or veneer, or a combination of laminates.

Construction

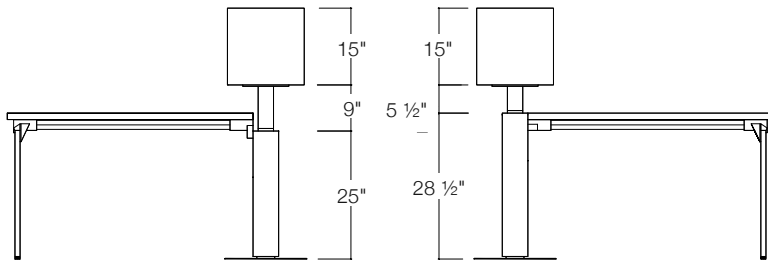
Case is composed of 3/4" thick wood panels, with discreet glue-and-dowel connections.

Specification Options

Specify laminate (L), "mixed" two-tone laminate (M) or veneer (V) case.

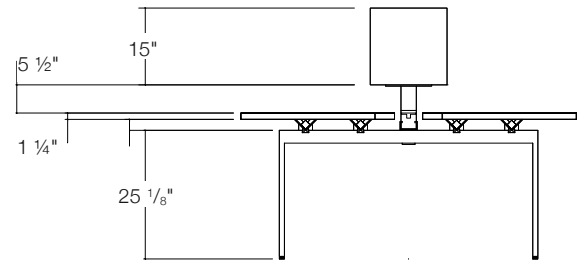
Case finish exterior is available in any Knoll Core laminate or veneer. When the case exterior is laminate, case interior and inset back are available in any Knoll Core or Accent laminate. When an Accent laminate is specified, the edgeband will match the exterior core laminate finish.

Specify stanchions separately.

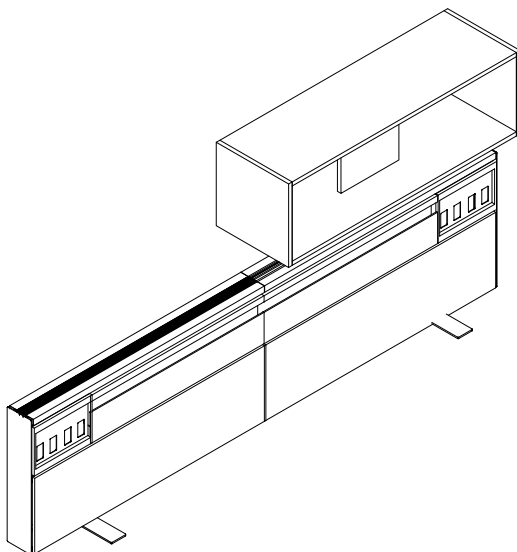


25"H Fence with Stanchion Mounted Open Wood Cabinet Elevation

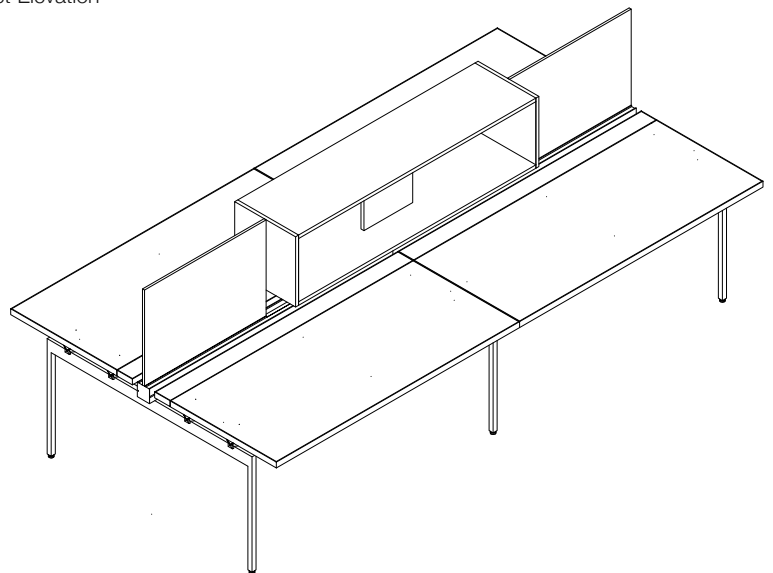
28 1/2"H Fence with Stanchion Mounted Open Wood Cabinet Elevation



Big Table with Stanchion Mounted Open Wood Cabinet Elevation



25"H Fence with Stanchion Mounted Open Wood Cabinet



Big Table with Stanchion Mounted Open Wood Cabinet and Screens

Stanchion Mounted Wood Storage For Big Table and Fence Planning Guidelines and Specifications

Stanchion Mounted Enclosed Wood Cabinets

Stanchion mounted enclosed wood cabinets provide binder storage within easy reach from a seated position. Cabinets are split with a center partition and a sliding door front on each side of the cabinet for shared use. Cabinets mount on big table center beam or on Fence, with storage stanchion supports, specified separately.

Enclosed wood cabinets are available in 36", 42", 48", 60" and 72" widths.

Each face of cabinet has a sliding door overlapping the recessed back of the cabinet facing the other side.

Cabinets can be specified with both openings on the left or both on the right side.

Cabinets can be specified in all laminate or veneer or mixed surface laminate: all "Interior" surfaces of laminate cabinet can be specified in a contrasting core or "pop" laminate. Partition and inset back are considered interior surfaces on both faces.

All stanchion mounted cabinets are 15"H x 15"D, with 13 ½" clear interior height for binder storage. Cabinet sides, top and bottom are ¾" thick, in laminate or veneer.

Construction

Case is composed of ¾" thick wood panels, with discreet glue-and-dowel connections.

Specification Options

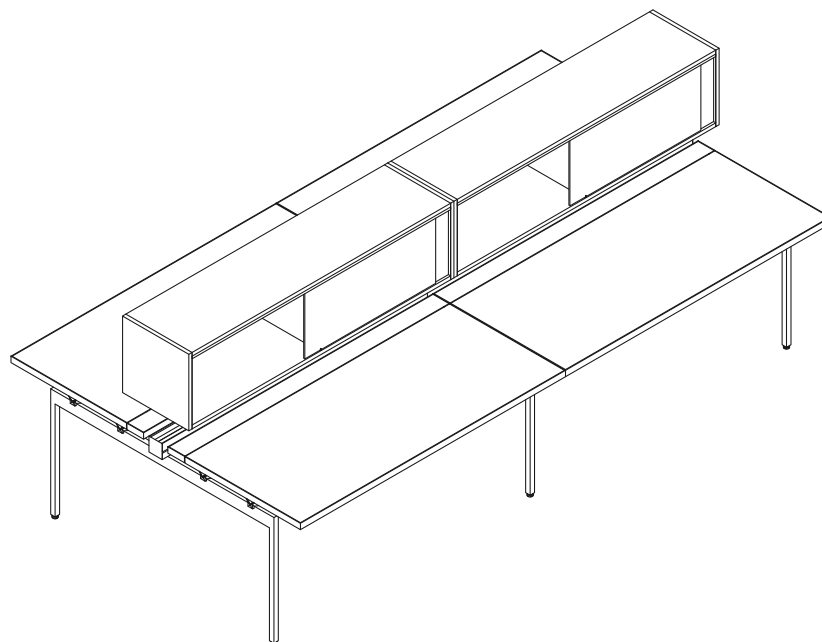
Specify laminate (L), "mixed" two-tone laminate (M) or veneer (V) case. Enclosed wood cabinets are non-locking.

Case finish exterior is available in any Knoll Core laminate or veneer. When the case exterior is laminate, case interior and inset back are available in any Knoll Core or Accent laminate. When an Accent laminate is specified, the edgeband will match the exterior core laminate finish.

Door sets are specified separately to enable any combination of wood or laminate case and doors. Specify drawer front sets in any Knoll Core laminate (L) or veneer (V).

Pulls are available in any Knoll Core paint finish, Dark Red or Slate Blue.

Specify stanchions separately.

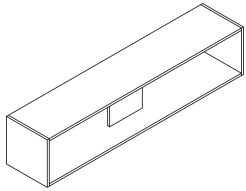


Big Table with Stanchion Mounted Shared Sliding Door Cabinets, Openings on Left

Stanchion Mounted Wood Storage

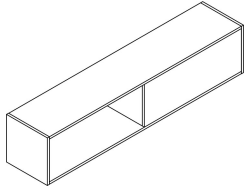
For Big Table and Fence

Open Cabinets

description	w	d	h	pattern no.	All Same	Different	Different	V1	V2	V3
					Laminate (Core Lam.) (L)	Laminate Case/ Interior (Core Lam.) (L)	Laminate Case/ Interior (Accent lam.) (L)			
Stanchion Mounted Cabinet, Open Front and Back 	36"	15"	15"	YSUOS3615()	\$1,063.	\$1,170.	\$1,540.	\$1,540.	\$1,773.	\$2,305.
	42"	15"	15"	YSUOS4215()	1,124.	1,235.	1,592.	1,592.	1,832.	2,380.
	48"	15"	15"	YSUOS4815()	1,182.	1,301.	1,645.	1,645.	1,891.	2,458.
	60"	15"	15"	YSUOS6015()	1,477.	1,624.	2,056.	2,056.	2,364.	2,717.
	72"	15"	15"	YSUOS7215()	1,597.	1,756.	2,209.	2,209.	2,541.	3,303.

Stanchion Mounted Cabinet, Open Front and Enclosed Back 	36"	15"	15"	YSUES3615()	1,241.	1,366.	1,695.	1,695.	1,950.	2,534.
	48"	15"	15"	YSUES4815()	1,418.	1,560.	1,953.	1,953.	2,245.	2,918.

(48" wide cabinet with septum shown)

Stanchion Mounted Shared Cabinet, Open Front and Enclosed Back Opening on Left 	36"	15"	15"	YSUSNDL3615()	1,418.	1,560.	2,188.	2,188.	2,517.	3,270.
	42"	15"	15"	YSUSNDL4215()	1,447.	1,592.	2,238.	2,238.	2,572.	3,344.
	48"	15"	15"	YSUSNDL4815()	1,477.	1,624.	2,286.	2,286.	2,629.	3,417.
	60"	15"	15"	YSUSNDL6015()	1,536.	1,689.	2,429.	2,429.	2,791.	3,628.
	72"	15"	15"	YSUSNDL7215()	1,654.	1,820.	2,527.	2,527.	2,906.	3,777.

Ordering Information

Stanchion Mounted Cabinets

1. Pattern Number
2. Exterior Case Finish
3. Interior Case Finish (Laminate only)

Order Code

Stanchion Mounted Cabinets

Example: **YSUOS6015L, 118, 118**

YSUOS	Stanchion Mounted Cabinets
60	Width
15	Depth
L	Laminate
118	Bright White Laminate
118	Bright White Laminate

Included With

Stanchion Mounted Cabinets

Specify stanchion brackets for attachment to big table and fence separately

Options

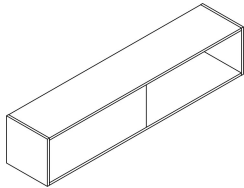
Stanchion Mounted Cabinets

Case Finish Options:

(L) = All the same or different laminates for the exterior and interior case
 (V) = All the same veneer for the exterior and interior case

Stanchion Mounted Wood Storage For Big Table and Fence Open Cabinets

description	w	d	h	pattern no.	All Same	Different	Different	V1	V2	V3
					Laminate (Core Lam.) (L)	Laminate Case/ Interior (Core Lam.) (L)	Laminate Case/ Interior (Accent lam.) (L)			
Stanchion Mounted Shared Cabinet, Open Front and Enclosed Back Opening on Right	36"	15"	15"	YSUSNDR3615()	\$1,418.	\$1,560.	\$2,188.	\$2,188.	\$2,517.	\$3,270.
	42"	15"	15"	YSUSNDR4215()	1,447.	1,592.	2,238.	2,238.	2,572.	3,344.
	48"	15"	15"	YSUSNDR4815()	1,477.	1,624.	2,286.	2,286.	2,629.	3,417.
	60"	15"	15"	YSUSNDR6015()	1,536.	1,689.	2,429.	2,429.	2,791.	3,628.
	72"	15"	15"	YSUSNDR7215()	1,654.	1,820.	2,527.	2,527.	2,906.	3,777.



Ordering Information

Stanchion Mounted Cabinets

1. Pattern Number
2. Exterior Case Finish
3. Interior Case Finish (Laminate only)

Order Code

Stanchion Mounted Cabinets

Example: **YSUOS6015L, 118, 118**

YSUOS	Stanchion Mounted Cabinets
60	Width
15	Depth
L	Laminate
118	Bright White Laminate
118	Bright White Laminate

Included With

Stanchion Mounted Cabinets

Specify stanchion brackets for attachment to big table and fence separately

Options

Stanchion Mounted Cabinets

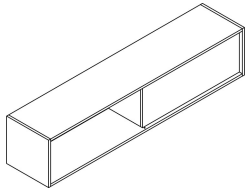
Case Finish Options:

(L) = All the same or different laminates for the exterior and interior case
(V) = All the same veneer for the exterior and interior case

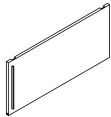
For Big Table and Fence

Shared Sliding Door Cabinets with Opening on Left

description	w	d	h	pattern no.	All Same	Different	Different	V1	V2	V3
					Laminate (Core Lam.) (L)	Laminate Case/ Interior (Core Lam.) (L)	Laminate Case/ Interior (Accent Lam.) (L)			
Stanchion Mounted Shared Sliding Door Cabinet Case, Opening on Left	36"	15"	15"	YSUSDL3615()	\$1,654.	\$1,819.	\$2,717.	\$2,717.	\$3,125.	\$4,063.
	42"	15"	15"	YSUSDL4215()	1,715.	1,885.	2,778.	2,778.	3,194.	4,151.
	48"	15"	15"	YSUSDL4815()	1,773.	1,950.	2,837.	2,837.	3,261.	4,241.
	60"	15"	15"	YSUSDL6015()	2,245.	2,471.	3,191.	3,191.	3,670.	4,769.
	72"	15"	15"	YSUSDL7215()	2,364.	2,600.	3,427.	3,427.	3,941.	5,122.



Sliding Door Kit for Stanchion Mounted Shared Sliding Doors Cabinet Case, Opening on Left	w	d	h	pattern no.				V1	V2	V3
42"	3/4"	15"	YSSDL4215()	680.	n/a	n/a	945.	1,088.	1,413.	
48"	3/4"	15"	YSSDL4815()	710.	n/a	n/a	975.	1,122.	1,458.	
60"	3/4"	15"	YSSDL6015()	740.	n/a	n/a	1,033.	1,193.	1,554.	
72"	3/4"	15"	YSSDL7215()	798.	n/a	n/a	1,124.	1,289.	1,679.	



Ordering Information

Stanchion Mounted Cabinets

1. Pattern Number
2. Exterior Case Finish
3. Interior Case Finish (Laminate only)

Sliding Doors

1. Pattern Number
2. Door Finish
3. Pull Finish

Order Code

Stanchion Mounted Cabinets

Example: **YSUSDL6015L, 118, 118**

YSUSDL	Stanchion Mounted Cabinets
60	Width
15	Depth
L	Laminate
118	Bright White Laminate
118	Bright White Laminate

Sliding Doors

Example: **YSSDL6015L, 118**

YSSD	Sliding Doors
L	Left
60	Width
15	Depth
L	Laminate
118	Bright White Laminate

Included With

Stanchion Mounted Cabinets
Specify stanchion brackets for attachment to big table and fence separately

Sliding Doors
Hardware

Options

Stanchion Mounted Cabinets

Case Finish Options:

(L) = All the same or different laminates for the exterior and interior case
(V) = All the same veneer for the exterior and interior case

Sliding Doors

Door Finish Options:

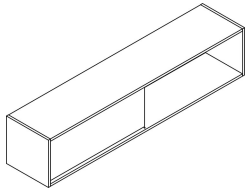
(L) = Laminate
(V) = Veneer

Door pulls are available in Knoll core paints, Dark Red (130) and Slate Blue (131) paint finishes.

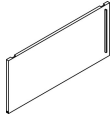
For Big Table and Fence

Shared Sliding Door Cabinets with Opening on Right

description	w	d	h	pattern no.	All Same	Different	Different	V1	V2	V3
					Laminate (Core Lam.) (L)	Laminate Case/ Interior (Accent Lam.) (L)	Laminate Case/ Interior (Accent Lam.) (L)			
Stanchion Mounted Shared Sliding Door Cabinet Case Opening on Right	36"	15"	15"	YSUSDR3615()	\$1,654.	\$1,819.	\$2,717.	\$2,717.	\$3,125.	\$4,063.
	42"	15"	15"	YSUSDR4215()	1,715.	1,885.	2,778.	2,778.	3,194.	4,151.
	48"	15"	15"	YSUSDR4815()	1,773.	1,950.	2,837.	2,837.	3,261.	4,241.
	60"	15"	15"	YSUSDR6015()	2,245.	2,471.	3,191.	3,191.	3,670.	4,769.
	72"	15"	15"	YSUSDR7215()	2,364.	2,600.	3,427.	3,427.	3,941.	5,122.



Sliding Door Kit for Stanchion Mounted Shared Sliding Doors Cabinet Case, Opening on Right	36"	3/4"	15"	YSSDR3615 ()	650.	n/a	n/a	916.	1,054.	1,370.
	42"	3/4"	15"	YSSDR4215 ()	680.	n/a	n/a	945.	1,088.	1,413.
	48"	3/4"	15"	YSSDR4815 ()	710.	n/a	n/a	975.	1,122.	1,458.
	60"	3/4"	15"	YSSDR6015 ()	740.	n/a	n/a	1,033.	1,193.	1,554.
	72"	3/4"	15"	YSSDR7215 ()	798.	n/a	n/a	1,124.	1,289.	1,679.



Ordering Information

Stanchion Mounted Cabinets

1. Pattern Number
2. Exterior Case Finish
3. Interior Case Finish (Laminate only)

Sliding Doors

1. Pattern Number
2. Door Finish
3. Pull Type
4. Pull Finish

Order Code

Stanchion Mounted Cabinets

Example: **YSUSDR6015L, 118, 118**

YSUSDR	Stanchion Mounted Cabinets
60	Width
15	Depth
L	Laminate
118	Bright White Laminate
118	Bright White Laminate

Sliding Doors

Example: **YSSDR6015L, 118**

YSSD	Sliding Doors
R	Right
60	Width
15	Depth
L	Laminate
118	Bright White Laminate

Included With

Stanchion Mounted Cabinets
Specify stanchion brackets for attachment to big table and fence separately

Sliding Doors
Hardware

Options

Stanchion Mounted Cabinets

Case Finish Options:
(L) = All the same or different laminates for the exterior and interior case
(V) = All the same veneer for the exterior and interior case

Sliding Doors

Door Finish Options:
(L) = Laminate
(V) = Veneer

Door pulls are available in Knoll core paints, Dark Red (130) and Slate Blue (131) paint finishes.

Stanchion Mounted Metal Storage

For Big Table and Fence

Planning Guidelines and Specifications

Stanchion Mounted Metal Open Cabinets

Stanchion mounted metal open cabinets provide binder storage within easy reach from a seated position. Cabinets are open both front and back for shared use.

Cabinets mount on big table center beam or on Fence, with storage stanchion supports, specified separately.

Open front and back cabinets are available in 36", 42", 48", 60" and 72" widths. A center panel parallel to the open front and back provides structural support, and serves to filter sightlines through the cabinet. Cabinets 36"W have a 6" wide center panel, cabinets 48" and wider have a 12" wide center panel. Enclosed back cabinets are available in 36", 42", 48", 60" and 72" widths. Enclosed back cabinet has a full back, recessed 1/2" for optional fabric insert, specified separately.

All stanchion mounted cabinets are 15"H x 15"D, with 13 1/2" clear interior height for binder storage. Cabinet sides, top and bottom are painted steel finish.

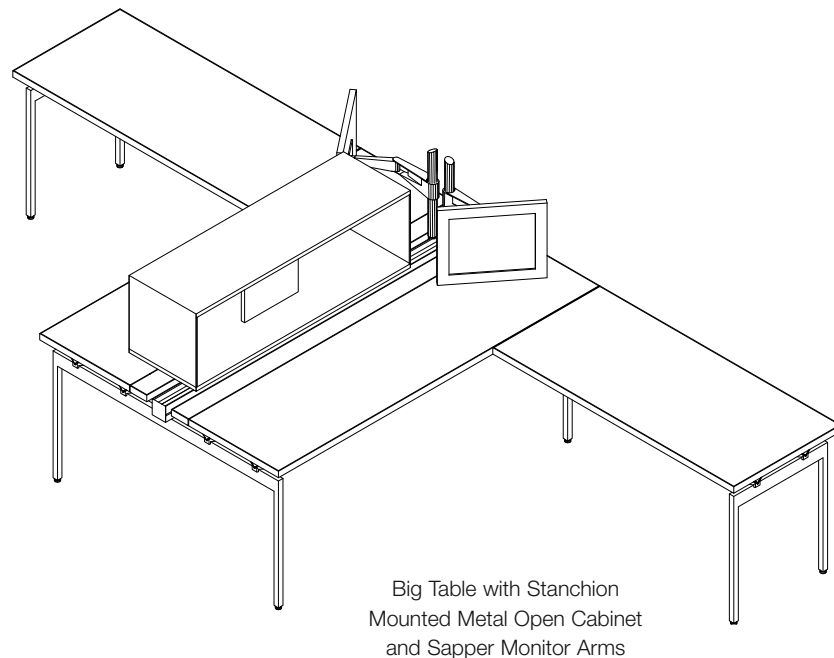
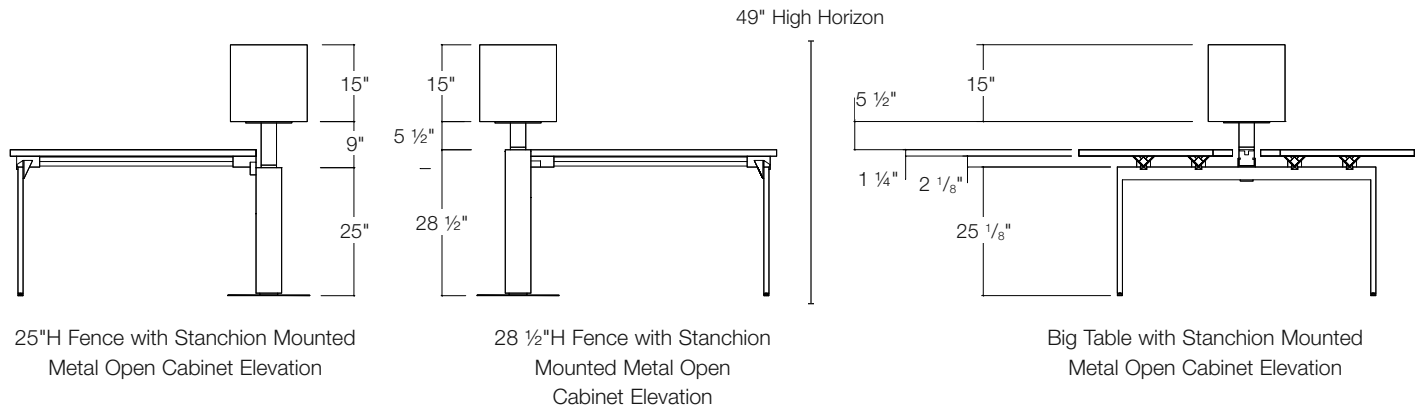
Construction

Cabinet top and bottom are formed to 3/4" thick, and sides are flat, heavy gauge steel.

Specification Options

Specify case in any Knoll Core paint finish.

Specify stanchions separately.



Stanchion Mounted Metal Storage For Big Table and Fence Planning Guidelines and Specifications

Stanchion Mounted Shared Metal Cabinets

Stanchion mounted shared metal cabinets provide binder storage within easy reach from a seated position. Cabinets are split with a center partition and available open or with a sliding door front on each face. Cabinets mount on big table center beam or on Fence, with a pair of storage stanchion supports, specified separately.

Shared cabinets are available in 36", 42", 48", 60" and 72" widths. Each face of cabinet has a sliding door overlapping the recessed back of the cabinet facing the other side. Cabinets can be specified with both openings on the left or both on the right side.

Cabinets can be specified in all painted finish case and interior, with matching or contrasting doors finish.

All stanchion mounted cabinets are 15"H x 15"D, with 13 1/2" clear interior height for binder storage.

Construction

Cabinet top and bottom are formed to 3/4" thick, and sides are flat, heavy gauge steel.

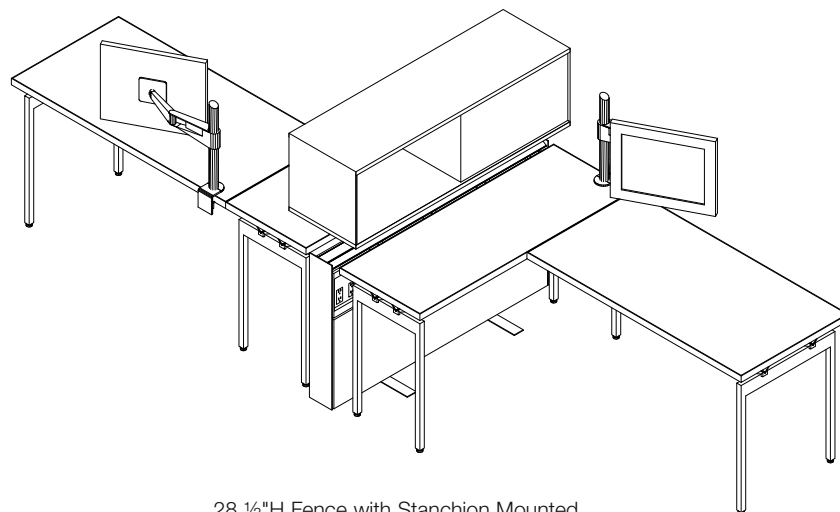
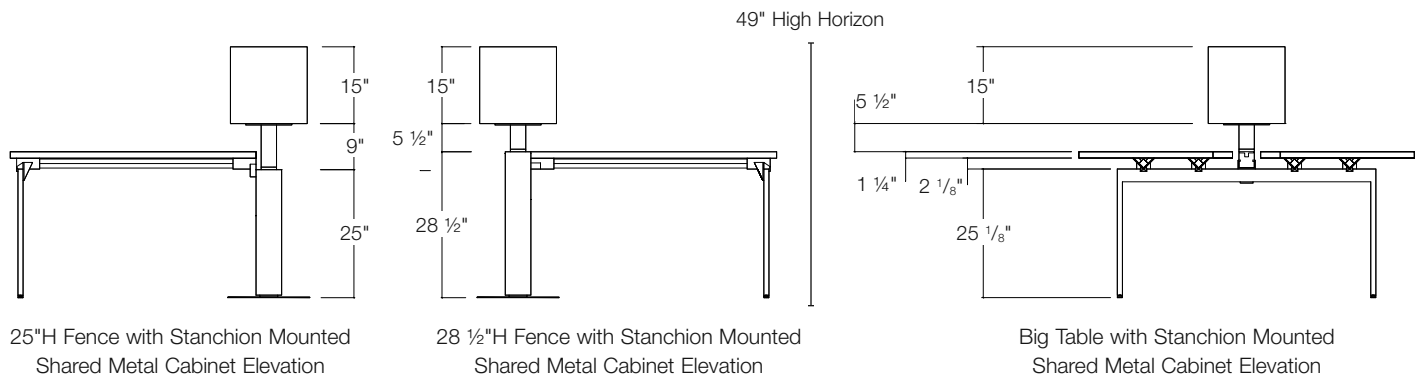
Specification Options

Specify locking (L) or non-locking (N).

When different paint finishes are being selected for the case, doors or pulls, add a (Y) suffix to the pattern number. If a single paint finish is being specified for all components add an (S).

Specify case, doors and pulls in any Knoll Core paint finish.

Specify stanchions separately.



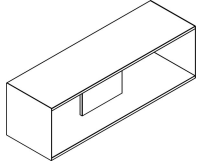
28 1/2"H Fence with Stanchion Mounted Shared Metal Cabinet and Antenna Desks

Stanchion Mounted Metal Storage

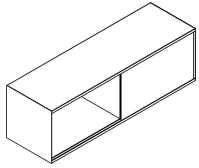
For Big Table and Fence

Open and Shared Cabinets

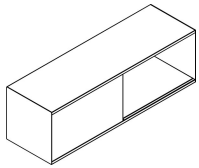
description	w	d	h	pattern no.	list	P2	P3
Stanchion Mounted Cabinets, Open Front and Back	36"	15"	15"	YSMUOS36	\$748.	\$819.	\$855.
	42"	15"	15"	YSMUOS42	773.	846.	882.
	48"	15"	15"	YSMUOS48	800.	878.	917.
	60"	15"	15"	YSMUOS60	975.	1,069.	1,117.
	72"	15"	15"	YSMUOS72	1,040.	1,143.	1,193.



Stanchion Mounted Shared Cabinets, with Enclosed Back and Open Front, Opening on Left	36"	15"	15"	YSMUSOL36	873.	961.	1,005.
	42"	15"	15"	YSMUSOL42	909.	1,000.	1,048.
	48"	15"	15"	YSMUSOL48	948.	1,042.	1,092.
	60"	15"	15"	YSMUSOL60	1,145.	1,260.	1,316.
	72"	15"	15"	YSMUSOL72	1,218.	1,340.	1,402.



Stanchion Mounted Shared Cabinets, with Enclosed Back and Open Front, Opening on Right	36"	15"	15"	YSMUSOR36	873.	961.	1,005.
	42"	15"	15"	YSMUSOR42	909.	1,000.	1,048.
	48"	15"	15"	YSMUSOR48	948.	1,042.	1,092.
	60"	15"	15"	YSMUSOR60	1,145.	1,260.	1,316.
	72"	15"	15"	YSMUSOR72	1,218.	1,340.	1,402.



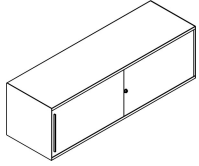
Ordering Information	Order Code	Included With	Options
Stanchion Mounted Open Cabinets 1. Pattern Number 2. Case Paint Finish	Stanchion Mounted Open Cabinets <hr/> <i>Example:</i> YSMUOS48, 118T <hr/> YSMUOS Stanchion Mounted Cabinets <hr/> 48 Width <hr/> 118T Bright White Paint <hr/>	Stanchion Mounted Open Cabinets Specify stanchion brackets for attachment to big table and fence separately.	Stanchion Mounted Open Cabinets

Stanchion Mounted Metal Storage

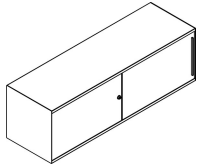
For Big Table and Fence

Open and Shared Cabinets

description	w	d	h	pattern no.	list	P2	P3
Stanchion Mounted Shared Cabinets, with Sliding Doors, Opening On Left	36"	15"	15"	YSMUSDL36L()	\$1,091.	\$1,193.	\$1,246.
	42"	15"	15"	YSMUSDL42L()	1,129.	1,237.	1,292.
	48"	15"	15"	YSMUSDL48L()	1,167.	1,277.	1,335.
	60"	15"	15"	YSMUSDL60L()	1,376.	1,508.	1,574.
	72"	15"	15"	YSMUSDL72L()	1,481.	1,623.	1,695.



Stanchion Mounted Shared Cabinets, with Sliding Doors, Opening On Right	36"	15"	15"	YSMUSDR36L()	1,091.	1,193.	1,246.
	42"	15"	15"	YSMUSDR42L()	1,129.	1,237.	1,292.
	48"	15"	15"	YSMUSDR48L()	1,167.	1,277.	1,335.
	60"	15"	15"	YSMUSDR60L()	1,376.	1,508.	1,574.
	72"	15"	15"	YSMUSDR72L()	1,481.	1,623.	1,695.



Ordering Information

Stanchion Mounted Open Cabinets

1. Pattern Number
2. Case Paint Finish

Order Code

Stanchion Mounted Open Cabinets

Example: YSMUOS48, 118T

YSMUOS Stanchion Mounted Cabinets

48 Width

118T Bright White Paint

Included With

Stanchion Mounted Open Cabinets

Specify stanchion brackets for attachment to big table and fence separately.

Options

Stanchion Mounted Open Cabinets

Stanchion Mounted Platform

For Big Table and Fence

Planning Guidelines and Specifications

Stanchion Mounted Platforms

Platforms are a rectangular laminate or veneer surface that mounts on stanchions on the center beam of a big table or on the crown of either height Fence. Specify a pair of storage support stanchions separately.

Platforms are 15"D, and centered over the stanchions, in widths from 24"-72" in 6" increments.

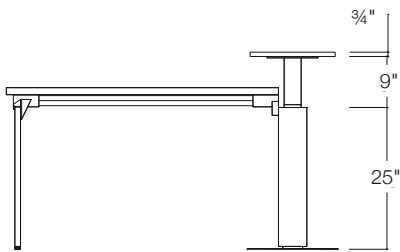
Construction

Platforms are 3/4" thick particle MDF with high pressure laminate surface or veneer. Threaded inserts are positioned over stanchion locations.

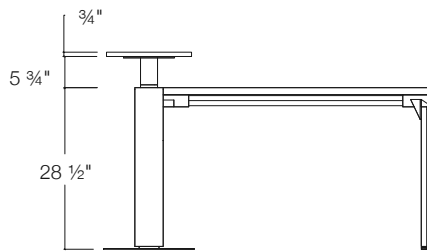
Specification Options

Specify either a laminate (L) or veneer (V) surface. Surface finish is available in any Knoll Core laminate or veneer finish.

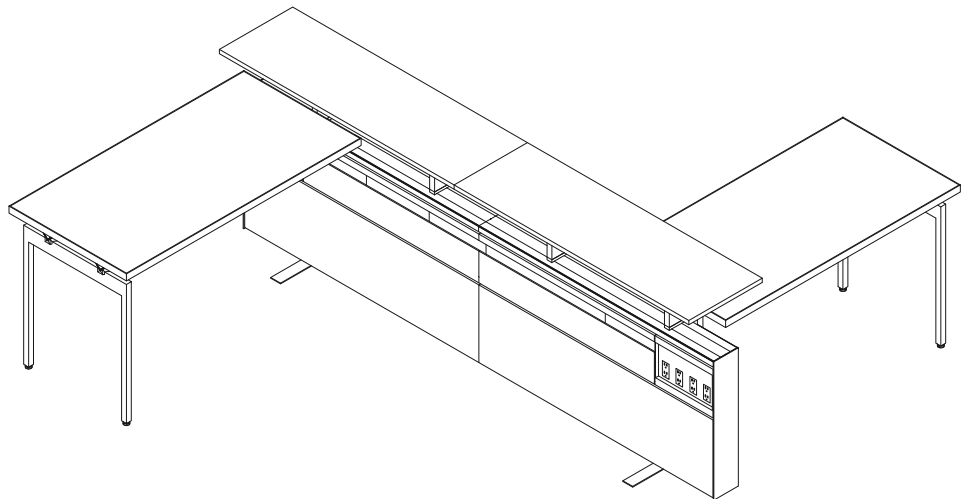
Specify stanchions separately.



25"H Fence with Stanchion Mounted Platform Elevation



28 1/2"H Fence with Stanchion Mounted Platform Elevation

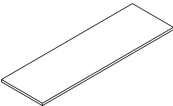


25"H Fence with Stanchion Mounted Platforms and Antenna Desks

Stanchion Mounted Platform

For Big Table and Fence

15" Deep

description	w	d	h	pattern no.	Laminate (L)	V1 (V)	V2 (V)	V3 (V)
Platform 	24"	15"	3/4"	YSUOP24()	\$165.	\$396.	\$456.	\$616.
	30"	15"	3/4"	YSUOP30()	178.	412.	474.	641.
	36"	15"	3/4"	YSUOP36()	201.	423.	486.	657.
	48"	15"	3/4"	YSUOP48()	248.	442.	509.	687.
	60"	15"	3/4"	YSUOP60()	283.	487.	559.	756.
	72"	15"	3/4"	YSUOP72()	296.	508.	586.	789.

Ordering Information

1. Pattern Number
2. Surface Finish

Order Code

Platform
Example: YSUOP48L, 118
YSUOP Platform
48 Width
L Laminate

Included With

Platform
 Hardware
 Specify stanchion brackets for attachment to big table and fence separately

Options

Platform
Surface Finish Options
 (L) = Laminate
 (V) = Veneer

Stanchion Supports

Planning Guidelines and Specifications

Supports for Stanchion Mounted Cabinets and Platforms

Storage support stanchions lift underside of platforms or stanchion mounted wood or metal storage cabinets to 34" above the floor. Top of open or enclosed storage cabinets on stanchions align with Antenna 49" horizon.

Supports are available in sets of two for platforms or storage units up to 60" wide. Specify set of three stanchions for cabinets wider than 60".

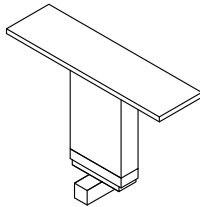
Select supports kit according to application on Big Table center beam, 25"H Fence, or 28"H Fence.

Construction

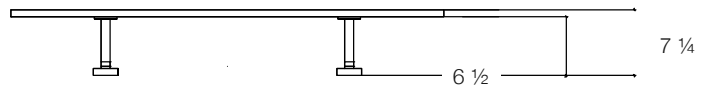
Stanchions are extruded aluminum, with cast adapters specific to center beam or Fence. Top plate connector to storage is steel.

Specification Options

Stanchions are available in any Knoll Core paint finish, Dark Red or Slate Blue.



Stanchion



Platforms up to 60" wide require 2 stanchions

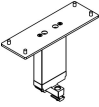
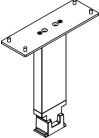
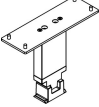


Platforms wider than 60" require 3 stanchions

Stanchion Planning Guidelines

Stanchion Supports

For Big Table and Fence

description	type	w	d	h	pattern no.	list
 Stanchions for Big Table	(2) stanchions for cabinets/platforms up to 60" wide	3"	1 1/4"	5"	YSUS2BT	\$118.
	(3) stanchions for cabinets/platforms wider than 60"	3"	1 1/4"	5"	YSUS3BT	178.
 Stanchions for 25" High Fence	(2) stanchions for cabinets/platforms up to 60" wide	3"	1 1/4"	8"	YSUS2F25	130.
	(3) stanchions for cabinets/platforms wider than 60"	3"	1 1/4"	8"	YSUS3F25	196.
 Stanchions for 28 1/2" High Fence	(2) stanchions for cabinets/platforms up to 60" wide	3"	1 1/4"	5"	YSUS2F28	118.
	(3) stanchions for cabinets/platforms wider than 60"	3"	1 1/4"	5"	YSUS3F28	178.

Ordering Information	Order Code	Included With	Options
Stanchions 1. Pattern Number 2. Paint Finish	Stanchions <i>Example:</i> YSUS2BT, 118T YSUS Stanchions 2 Quantity BT Big Table 118T Bright White Paint	Stanchions Hardware	Stanchions

Cantilever Shelves

Planning Guidelines and Specifications

Cantilever Shelves

Cantilever shelves provide additional level of work surface 6" above tops. Cantilever shelves are supported independently at any point on either side of Big Table center beam or clamp on to the back edge of Antenna desk tops. Cantilever shelves are available in 12"D x 12" or 24" wide laminate or veneer surface 3/4" thick. Maximum weight limit for a 12" x 12" shelf is 58 lbs and for a 12" x 24" shelf is 29 lbs.

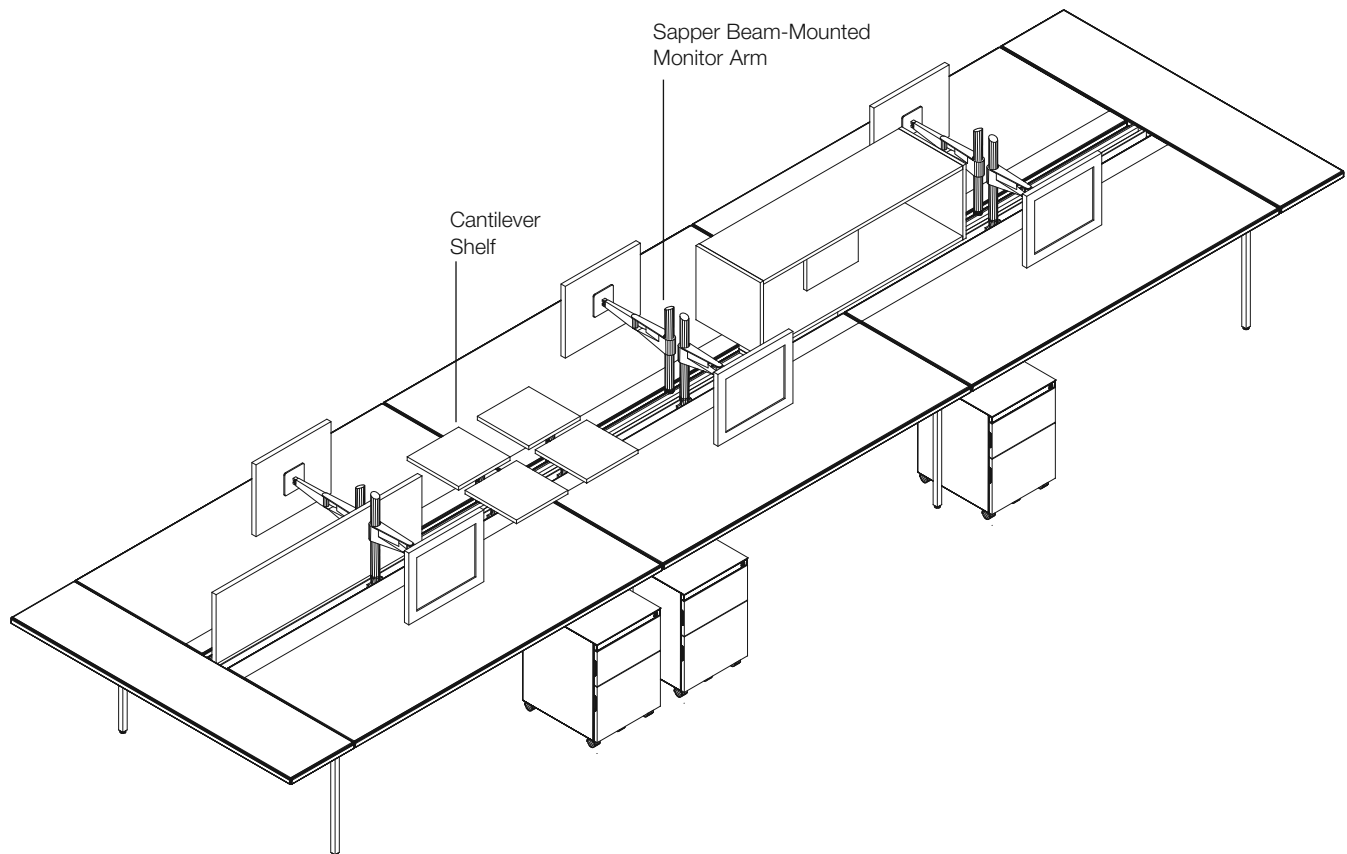
Construction

Cantilever shelves are solid MDF with veneer or laminate surface

Specification Options

Specify either a laminate (L) or veneer (V) surface. Surface finish is available in any Knoll Core laminate or veneer finish.

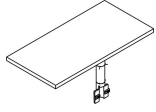
Cantilever support bracket is available in any Knoll Core paint finish, Dark Red or Slate Blue. Cantilever desk mounted clamp is Medium Grey.



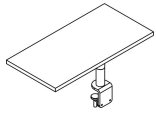
Big Table with Accessories

Cantilever Shelves 12" and 24" Wide

description	w	d	h	pattern no.	Laminate (L)	V1 (V)	V2 (V)	V3 (V)
Cantilever Shelf for Big Table, attaches to center beam	12"	12"	12"	YSCS1212()	\$296.	\$414.	\$473.	\$638.
	24"	12"	12"	YSCS2412()	319.	449.	555.	827.



Desk Mounted Cantilever Shelf, clamps to worksurface	12"	12"	12"	YSCSD1212()	386.	507.	565.	730.
	24"	12"	12"	YSCSD2412()	412.	542.	648.	920.



Ordering Information

Cantilever Shelf

1. Pattern Number
2. Shelf Finish
3. Support/Bracket Paint Finish

Order Code

Cantilever Shelf

Example: YSCS2412L, 118, 118T

YSCS	Cantilever Shelf
24	Width
12	Depth
L	Laminate
118	Bright White Laminate
118T	Bright White Paint

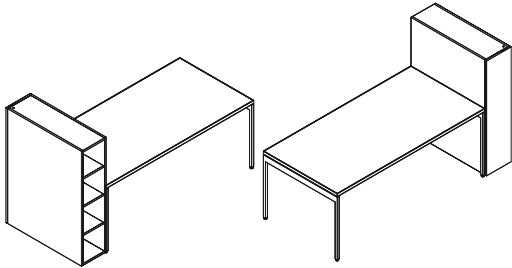
Included With

Cantilever Shelf
Support column
Hardware

Options

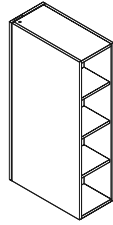
Cantilever Shelf
Finish Options:
(L) = Laminate
(V) = Veneer

Personal Desk-End Cabinets with Open Front and Hinged Door Back

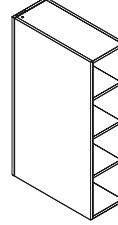


Desk with Personal Desk End Cabinet with Open Front and Hinged Door Back, Front

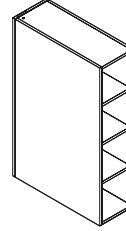
Desk with Personal Desk End Cabinet with Open Front and Hinged Door Back, Back



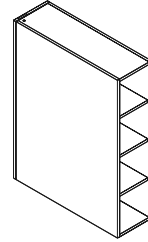
24" Deep



27" Deep

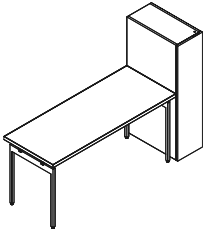


30" Deep

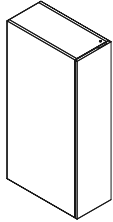


36" Deep

Personal Desk-End Cabinets with Hinged Door

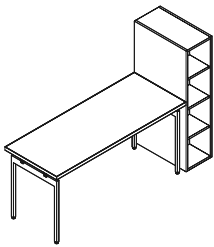


Desk with Personal Desk End Cabinet with Hinged Door

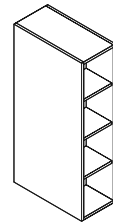


24" Deep

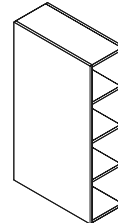
Shared Desk-End Cabinets with Open Front and Back



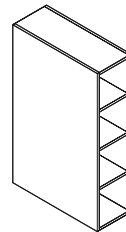
Desk with Shared Desk End Cabinet with Open Front and Back



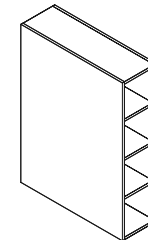
24" Deep



27" Deep

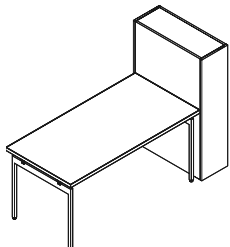


30" Deep

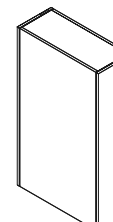


36" Deep

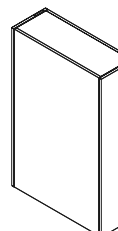
Shared Desk-End Cabinets with Hinged Door Front and Back



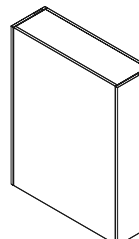
Desk with Shared Desk End Cabinet with Hinged Door Front and Back



27" Deep

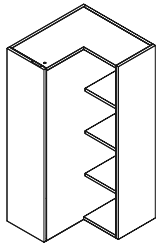


30" Deep

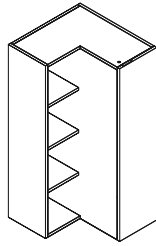


36" Deep

L Cabinets

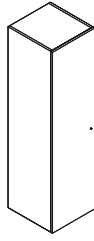


Door on Left



Door on Right

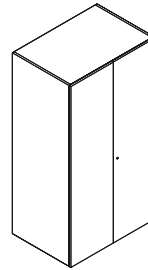
Wardrobe Cabinets



18" Wide
Hinged on Left

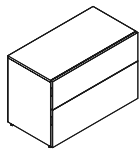


18" Wide
Hinged on Right

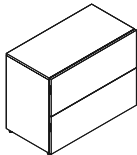


36" Wide
Double Doors

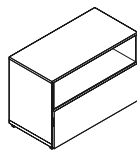
File Cabinets



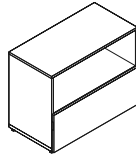
25" High



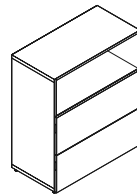
28" High



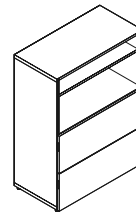
25" High



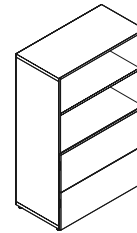
28" High



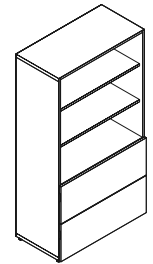
42" High



49" High

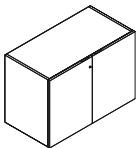


56" High

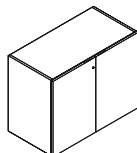


67" High

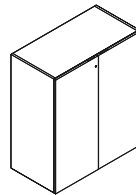
Enclosed Shelf Cabinets



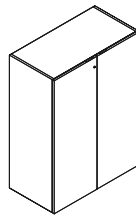
25" High



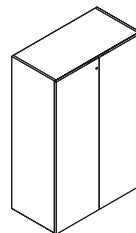
28" High



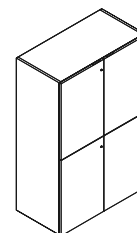
42" High



49" High

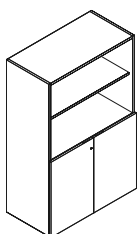


56" High

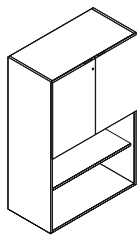


56" High

Partially Enclosed Shelf Cabinets

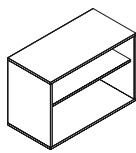


56" High

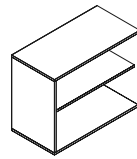


56" High

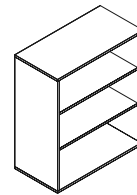
Open Shelf Cabinets



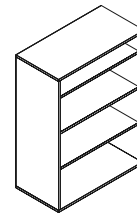
25" High



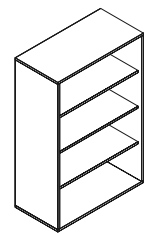
28" High



42" High



49" High



56" High

Personal Desk-End Cabinets

Desk-end cabinets are space-efficient storage designed to provide enclosure at the end of a desk. Personal desk-end cabinets include brackets to secure side of cabinet to adjacent desk for stability.

Personal desk-end cabinets are 49"H, 12"W, and available in 24", 27", 30" and 36" depths.

Personal desk-end cabinets 27"-36"D include a partition dividing the depth of the cabinet, with three adjustable 12 1/2"D shelves in front and a coat hook and door in back.

Personal desk-end cabinet 24"D includes a fixed, flush back, and three adjustable 12 1/2"D shelves and door in front. Space in front of shelves is suitable for coat storage, with coathook included.

Shared desk-end cabinets can be specified in any core laminate or veneer for case, shelves and door.

Enclosed desk-end cabinets can also be specified in laminate with contrasting laminate or veneer doors.

Construction

Desk-end cabinets are composed of 3/4" MDF panels joined in discreet, glue-and-dowel construction.

Doors open 135 degrees for easy access.

Desk-end cabinets include levelers with 1 1/2" travel.

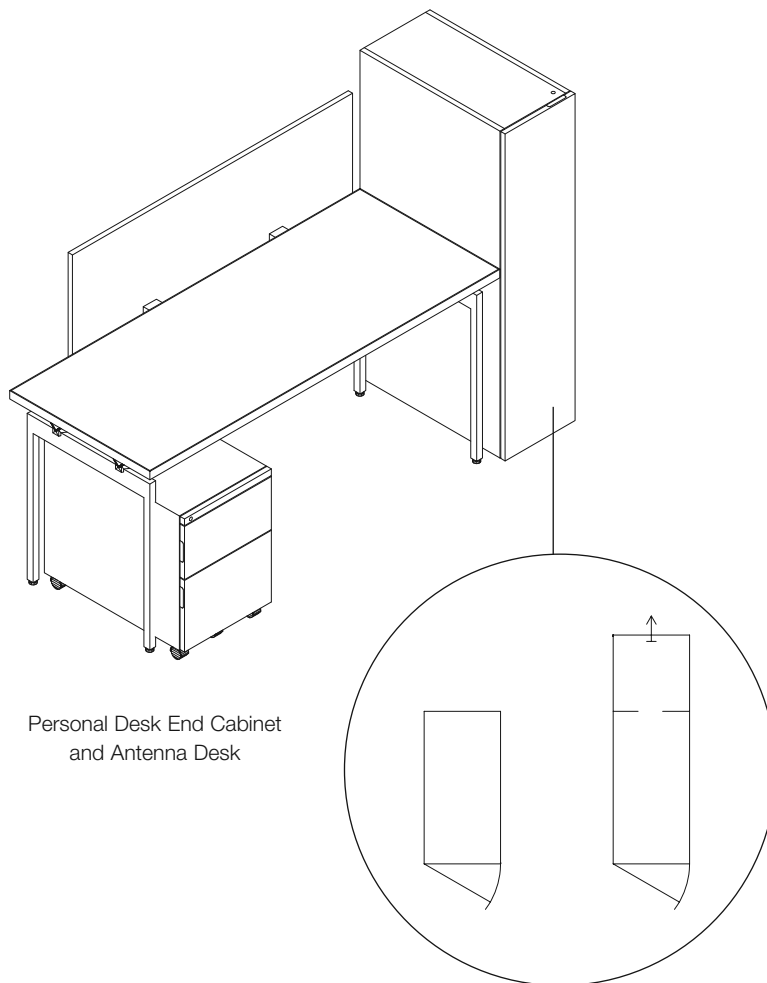
Specification Options

Specify laminate (L), "mixed" two-tone laminate or laminate case with veneer front (M) or veneer (V) case. Cabinets are available either locking (L) or non-locking (N).

Case finish exterior is available in any Knoll Core laminate or veneer. When case exterior is specified laminate, specify drawer front finish in any Knoll Core laminate (L) or veneer (V).

Specify pull type: Edge (E), Insert (I) or Loop (O). Edge pulls are available in any Knoll Core paint finish, Dark Red, Slate Blue or in Chrome (PD). Loop pulls are available in any Knoll Core paint finish, Dark Red or Slate Blue. Insert pulls are available in Chrome (PD).

Brackets may be specified in any Knoll Core paint finish, Dark Red or Slate Blue.



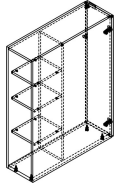
Personal Desk End Cabinet and Antenna Desk

Personal Desk End Cabinets

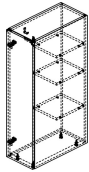
Floorstanding Personal Desk-End Cabinets

49" High, Hinged on Left

description	type	w	d	h	pattern no.	All Same	Laminate	Laminate	Laminate	All V1 (V)	All V2 (V)	All V3 (V)
						Laminate (L)	Case w/ V1 Fronts (M)	Case w/ V2 Fronts (M)	Case w/ V3 Fronts (M)			
Personal Desk-End Cabinets, Open Front with Shelves and Hinged Door Back (Hinged on Left)	For 24" Deep Desks	12"	24 ⁷ / ₈ "	49"	YSFCDL4924(JL)	\$2,481.	\$2,730.	\$2,853.	\$2,979.	\$4,265.	\$4,905.	\$6,376.
	For 27" Deep Desks	12"	27 ⁷ / ₈ "	49"	YSFCDL4927(JL)	2,541.	2,795.	2,922.	3,049.	4,367.	5,023.	6,530.
	For 30" Deep Desks	12"	29 ⁷ / ₈ "	49"	YSFCDL4930(JL)	2,600.	2,861.	2,990.	3,120.	4,470.	5,142.	6,683.
	For 36" Deep Desks	12"	35 ⁷ / ₈ "	49"	YSFCDL4936(JL)	2,659.	2,924.	3,058.	3,191.	4,572.	5,259.	6,837.



Personal Desk-End Cabinets, with Hinged Door (Hinged on Left)	For 24" Deep Desks	12"	24 ⁷ / ₈ "	49"	YSFCDEL4924(JL)	2,573.	2,831.	2,960.	3,089.	4,453.	5,120.	6,657.
--	--------------------	-----	----------------------------------	-----	------------------------	--------	--------	--------	--------	--------	--------	--------



Ordering Information

Personal Desk-End Cabinets

1. Pattern Number
2. Case/Shelves Finish
3. Door Finish
4. Pull Type
5. Pull Finish
6. Bracket Paint Finish

Order Code

Personal Desk-End Cabinets

Example: **YSFCDEL4924LL, 118, 118, E, 118T, 118T**

YSFCDE	Personal Desk-End Cabinets
L	Left Hinged Door
49	Height
24	Depth
L	Laminate
L	Lock
118	Bright White Laminate
118	Bright White Laminate
E	Edge Pull
118T	Bright White Paint
118T	Bright White Paint

Included With

Personal Desk-End Cabinets with Shelves and Door

Hardware
(3) Adjustable Shelves
Coat Hooks

Personal Desk-End Cabinets with Hinged Door

Hardware
(3) Adjustable Shelves
Coat Hook

Options

Personal Desk-End Cabinets

Case Finish Options:

(L) = All the same laminate for the exterior case/shelves and door front
(M) = Laminate exterior case/shelves and veneer door front
(V) = All the same veneer for the exterior case/shelves and door front

Lock Options:

To specify a personal desk-end cabinet without a lock, replace the "L" suffix in the pattern number with an "N".

Door Pull Options:

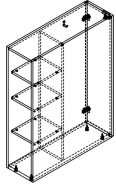
(E) = Edge Pull
(I) = Insert Pull
(O) = Loop Pull

See planning guide page for door pull finish options.

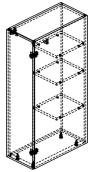
Floorstanding Personal Desk-End Cabinets

49" High, Hinged on Right

description	type	w	d	h	pattern no.	All Same	Laminate	Laminate	Laminate	All V1	All V2	All V3
						Laminate (L)	Case w/ V1 Fronts (M)	Case w/ V2 Fronts (M)	Case w/ V3 Fronts (M)			
Personal Desk-End Cabinets, Open Front with Shelves and Hinged Door Back (Hinged on Right)	For 24" D Desks	12"	24 ⁷ / ₈ "	49"	YSFCDR4924()L	\$2,481.	\$2,730.	\$2,853.	\$2,979.	\$4,265.	\$4,905.	\$6,376.
	For 27" D Desks	12"	27 ⁷ / ₈ "	49"	YSFCDR4927()L	2,541.	2,795.	2,922.	3,049.	4,367.	5,023.	6,530.
	For 30" D Desks	12"	29 ⁷ / ₈ "	49"	YSFCDR4930()L	2,600.	2,861.	2,990.	3,120.	4,470.	5,142.	6,683.
	For 36" D Desks	12"	35 ⁷ / ₈ "	49"	YSFCDR4936()L	2,659.	2,924.	3,058.	3,191.	4,467.	5,259.	6,837.



Personal Desk-End Cabinets, with Hinged Door (Hinged on Right)	For 24" D Desks	12"	24 ⁷ / ₈ "	49"	YSFCDER4924()L	2,573.	2,831.	2,960.	3,089.	4,453.	5,120.	6,657.
--	-----------------	-----	----------------------------------	-----	------------------------	--------	--------	--------	--------	--------	--------	--------



Ordering Information

Personal Desk-End Cabinets

1. Pattern Number
2. Case/Shelves Finish
3. Door Finish
4. Pull Type
5. Pull Finish
6. Bracket Paint Finish

Order Code

Personal Desk-End Cabinets

Example: **YSFCDEL4924LL, 118, 118, E, 118T, 118T**

YSFCDE	Personal Desk-End Cabinets
L	Left Hinged Door
49	Height
24	Depth
L	Laminate
L	Lock
118	Bright White Laminate
118	Bright White Laminate
E	Edge Pull
118T	Bright White Paint
118T	Bright White Paint

Included With

Personal Desk-End Cabinets with Shelves and Door

Hardware
(3) Adjustable Shelves
Coat Hooks

Personal Desk-End Cabinets with Hinged Door

Hardware
(3) Adjustable Shelves
Coat Hook

Options

Personal Desk-End Cabinets

Case Finish Options:

(L) = All the same laminate for the exterior case/shelves and door front
(M) = Laminate exterior case/shelves and veneer door front
(V) = All the same veneer for the exterior case/shelves and door front

Lock Options:

To specify a personal desk-end cabinet without a lock, replace the "L" suffix in the pattern number with an "N".

Door Pull Options:

(E) = Edge Pull
(I) = Insert Pull
(O) = Loop Pull

See planning guide page for door pull finish options.

Shared Desk-End Cabinets

Desk-end cabinets are space-efficient storage designed to provide enclosure at the end of a desk. Shared desk-end cabinets include brackets to secure side of cabinet to adjacent desk for stability.

Shared desk-end cabinets include a center partition dividing the depth of the cabinet, with openings in the front and back.

Open shared end cabinet includes three adjustable shelves on each side of the partition.

Open shared desk-end cabinets are 49"H, 12"W, and available in 24", 27", 30" and 36" depths.

Enclosed shared desk-end cabinets provide shared coat storage, and include a hinged door and a coat hook on each side. Specify shelves for one or both sides separately.

Adjustable shelf sets are available in sets of three, corresponding to the depth of the cabinet.

Enclosed shared desk-end cabinets are 49"H, 12"W, and available in 27", 30" and 36" depths.

Shared desk-end cabinets can be specified in any core laminate or veneer for case, shelves and door.

Enclosed desk-end cabinets can also be specified in laminate with contrasting laminate or veneer doors.

Construction

Desk-end cabinets are composed of ¾" MDF panels joined in discreet, glue-and-dowel construction.

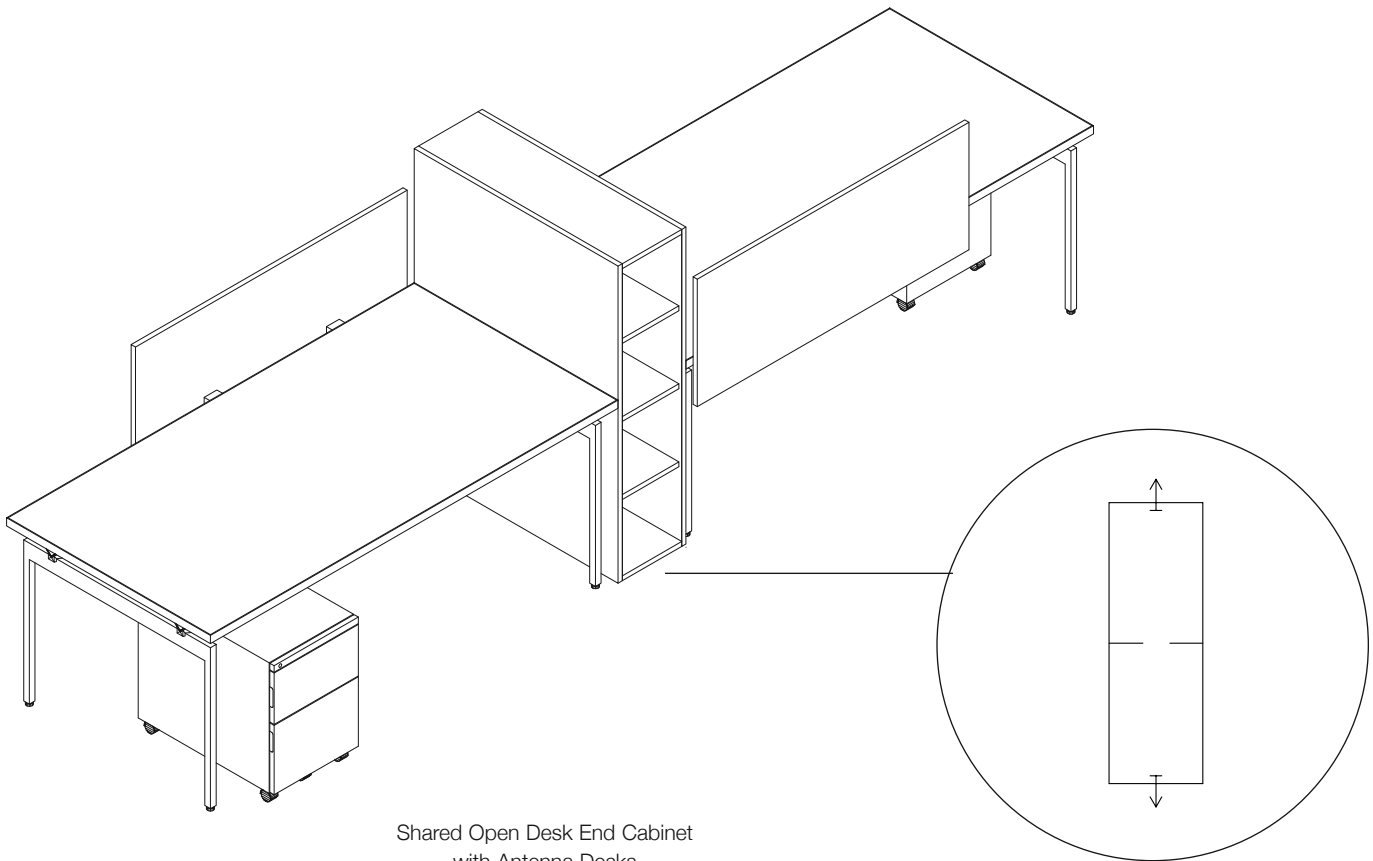
Specification Options

Specify laminate (L), "mixed" two-tone laminate or laminate case with veneer front (M) or veneer (V) case. Cabinets are available either locking (L) or non-locking (N).

Case finish exterior is available in any Knoll Core laminate or veneer. When case exterior is specified laminate, specify drawer front finish in any Knoll Core laminate (L) or veneer (V).

Specify pull type: Edge (E), Insert (I) or Loop (O). Edge pulls are available in any Knoll Core paint finish, Dark Red, Slate Blue or in Chrome (PD). Loop pulls are available in any Knoll Core paint finish, Dark Red or Slate Blue. Insert pulls are available in Chrome (PD).

Brackets may be specified in any Knoll Core paint finish, Dark Red or Slate Blue.



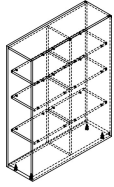
Shared Open Desk End Cabinet with Antenna Desks

Shared Desk End Cabinet

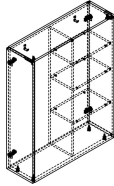
Floorstanding Shared Desk-End Cabinets

49" High

description	type	w	d	h	pattern no.	All Same	Laminate	Laminate	Laminate	All V1	All V2	All V3
						Laminate (L)	Case w/ V1 Fronts (M)	Case w/ V2 Fronts (M)	Case w/ V3 Fronts (M)			
Shared Desk-End Cabinets, Open Front and Back with Shelves	For 24" Deep Desks	12"	24"	49"	YSFCDO4924()	\$2,187.	n/a	n/a	n/a	\$3,596.	\$4,135.	\$5,377.
	For 27" Deep Desks	12"	27"	49"	YSFCDO4927()	2,245.	n/a	n/a	n/a	3,699.	4,254.	5,530.
	For 30" Deep Desks	12"	30"	49"	YSFCDO4930()	2,305.	n/a	n/a	n/a	3,803.	4,373.	5,685.
	For 36" Deep Desks	12"	36"	49"	YSFCDO4936()	2,364.	n/a	n/a	n/a	3,904.	4,491.	5,837.



Shared Desk-End Cabinets, Enclosed Hinged Door Front and Back	For 27" Deep Desks	12"	28 ⁷ / ₈ "	49"	YSFCDE4927()L	2,557.	2,813.	2,941.	3,069.	4,219.	4,851.	6,308.
	For 30" Deep Desks	12"	31 ⁷ / ₈ "	49"	YSFCDE4930()L	2,593.	2,851.	2,983.	3,113.	4,278.	4,920.	6,395.
	For 36" Deep Desks	12"	37 ⁷ / ₈ "	49"	YSFCDE4936()L	2,682.	2,951.	3,083.	3,218.	4,424.	5,087.	6,615.



Ordering Information

Shared Desk-End Cabinets

1. Pattern Number
2. Case/Shelves Finish
3. Door Finish
4. Pull Type
5. Pull Finish
6. Bracket Paint Finish

Order Code

Shared Desk-End Cabinets

Example: **YSFCDE4930LL, 118, 118, E, 118T, 118T**

YSFCDE	Shared Desk-End Cabinets
49	Height
30	Depth
L	Laminate
L	Lock
118	Bright White Laminate
118	Bright White Laminate
E	Edge Pull
118T	Bright White Paint
118T	Bright White Paint

Included With

Shared Desk-End Cabinets, Open Front and Back

Hardware
(6) Adjustable Shelves

Shared Desk-End Cabinets, Enclosed Hinged Door Front and Back

Hardware
(2) Coat Hooks
Shelves for one or both sides are specified separately

Shelves
(3) Shelves
Hardware

Options

Shared Desk-End Cabinets

Case/Shelf Finish Options:

(L) = All the same laminate for the exterior case/shelves and door front
(M) = Laminate exterior case/shelves and veneer door front
(V) = All the same veneer for the exterior case/shelves and door front

Lock Options:

To specify a shared desk-end cabinet without a lock, replace the "L" suffix in the pattern number with an "N".

Door Pull Options:

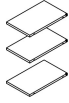
(E) = Edge Pull
(I) = Insert Pull
(O) = Loop Pull

See planning guide page for door pull finish options.

Floorstanding Desk-End Cabinet Accessories

Adjustable Shelf Set and Coat Hook

description	type	w	d	h	pattern no.	list	All Same	Laminate	Laminate	Laminate	All V1	All V2	All V3
							Laminate	Case w/	Case w/	Case w/			
							(L)	V1 Fronts	V2 Fronts	V3 Fronts	(V)	(V)	(V)
Adjustable Shelf Set for Shared Desk-End Cabinets, Enclosed Hinged Door Front and Back	For 27" Deep Desks	10"	12 1/2"	3/4"	YSFCDASK27()	n/a	\$481.	n/a	n/a	n/a	\$936.	\$1,075.	\$1,400.
	For 30" Deep Desks	10"	13"	3/4"	YSFCDASK30()	n/a	486.	n/a	n/a	n/a	941.	1,083.	1,407.
	For 36" Deep Desks	10"	16"	3/4"	YSFCDASK36()	n/a	496.	n/a	n/a	n/a	960.	1,103.	1,435.



Coat hook					YSCH	24.	n/a	n/a	n/a	n/a	n/a	n/a	n/a
-----------	--	--	--	--	-------------	-----	-----	-----	-----	-----	-----	-----	-----



Ordering Information	Order Code	Included With	Options
Shelves	Shelves	Shelves	Shelves
1. Pattern Number	<i>Example:</i> YSFCDASK30L, 118	(3) Shelves	Coat Hook
2. Surface Finish	YSFCDA Shelves	Hardware	
Coat Hook	SK	Coat Hook	
1. Pattern Number	30 Depth	Hardware	
	L Laminate		
	118 Bright White Laminate		
	Coat Hook		
	<i>Example:</i> YSCH		
	YSCH Coat Hook		

Floorstanding L cabinets

L cabinets are unique L-shape storage designed to provide definition and privacy for the individual workspace. L cabinets are freestanding.

L cabinets are 49"H, 24"W x 24"D, overall with a 12" wide, 12"D surround for shelves opening to the inside of the L, and a 12"W, 24"D coat storage area with a coat bar and door.

L cabinets can be specified in any core laminate or veneer for case, shelves and door.

L cabinets can also be specified in laminate with contrasting laminate or veneer doors.

Cabinets with wardrobe and door hinge on left are considered left handed; those with wardrobe and door hinge on right are considered right handed.

Wardrobes

Wardrobes are available for personal coat storage within a workspace. Single door 18" wide wardrobes come with a coat hook and 36" wide double door units come with a coat rod. Wardrobes are 19" deep and 67" high. Wardrobes can be specified in any core laminate or veneer for case, shelves and door. Wardrobes can also be specified in laminate with contrasting laminate or veneer doors. 36" wide wardrobes open using a touch latch.

Construction

Floorstanding L cabinets and wardrobes cabinets are composed of ¾" MDF panels joined in discreet, glue-and-dowel construction.

Doors open 135 degrees for easy access.

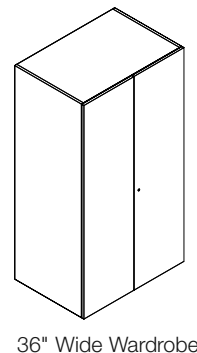
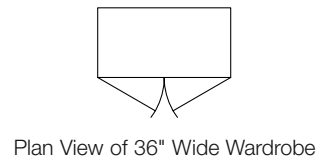
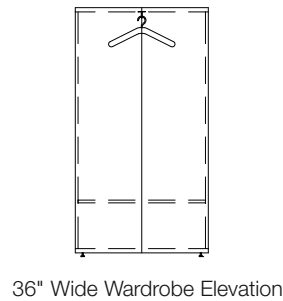
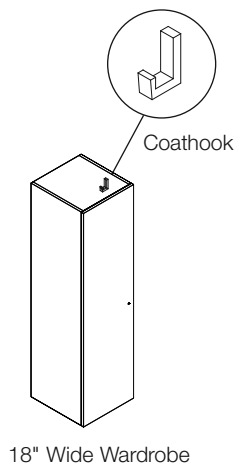
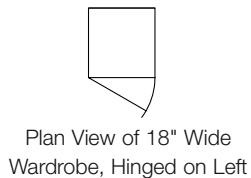
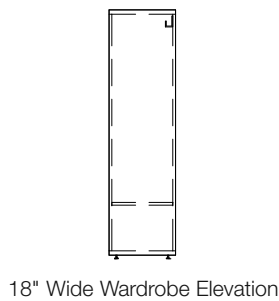
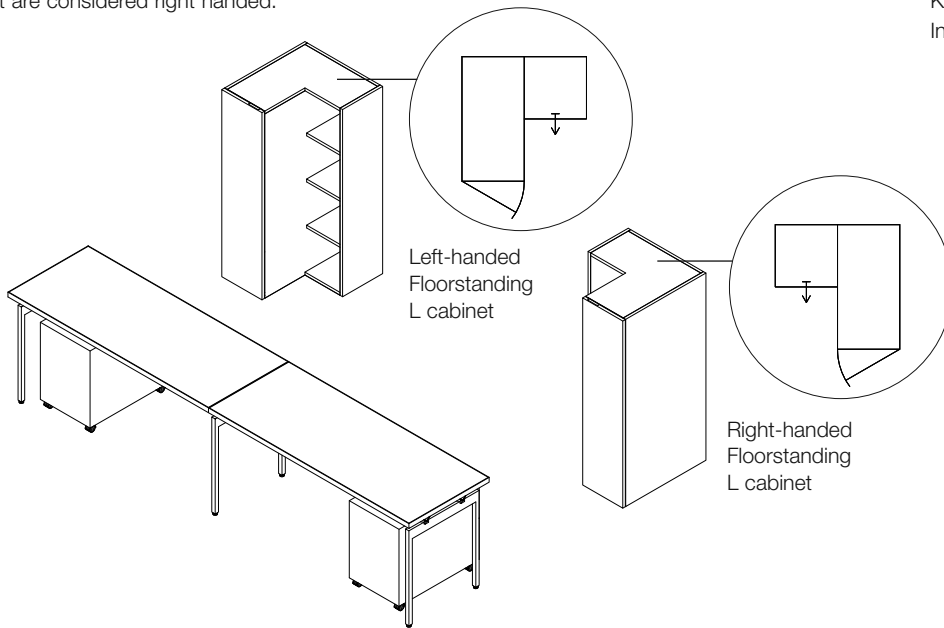
Cabinets include levelers with 1 ½" travel.

Specification Options

Specify laminate (L), "mixed" two-tone laminate or laminate case with veneer front (M) or veneer (V) case. Cabinets are available either locking (L) or non-locking (N).

Case finish exterior is available in any Knoll Core laminate or veneer. When case exterior is specified laminate, specify drawer front finish in any Knoll Core laminate (L) or veneer (V).

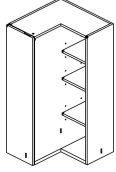
Specify pull type: Edge (E), Insert (I) or Loop (O). Edge pulls are available in any Knoll Core paint finish, Dark Red, Slate Blue or in Chrome (PD). Loop pulls are available in any Knoll Core paint finish, Dark Red or Slate Blue. Insert pulls are available in Chrome (PD).



Floorstanding L and Wardrobe Cabinets

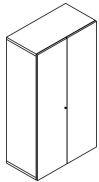
49" and 67" High

description	type	w	d	h	pattern no.	All Same	Laminate	Laminate	Laminate	All V1	All V2	All V3
						Laminate (L)	Case w/ V1 Fronts (M)	Case w/ V2 Fronts (M)	Case w/ V3 Fronts (M)			
L Cabinet	Door on Left	12"	23 ³ / ₄ "	49"	YSFCWL4924()L	\$3,251.	\$3,576.	\$3,739.	\$3,900.	\$5,761.	\$6,625.	\$8,613.
	Door on Right	12"	23 ³ / ₄ "	49"	YSFCWR4924()L	3,251.	3,576.	3,739.	3,900.	5,761.	6,625.	8,613.

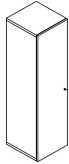


(Left Shown)

36" Wide Wardrobe	Double Doors	36"	18 ⁷ / ₈ "	67"	YSFCWD6736()L	2,955.	3,251.	3,397.	3,546.	4,933.	5,672.	7,374.
-------------------	--------------	-----	----------------------------------	-----	-----------------------	--------	--------	--------	--------	--------	--------	--------



18" Wide Wardrobe	Hinged on Left	18"	18 ⁷ / ₈ "	67"	YSFCWL6718()L	2,305.	2,534.	2,651.	2,767.	3,699.	4,254.	5,530.
	Hinged on Right	18"	18 ⁷ / ₈ "	67"	YSFCWR6718()L	2,305.	2,534.	2,651.	2,767.	3,699.	4,254.	5,530.



Ordering Information

L Cabinets

1. Pattern Number
2. Case/Shelves Finish
3. Door Finish
4. Pull Type
5. Pull Finish

Wardrobes

1. Pattern Number
2. Case Finish
3. Door Finish
4. Pull Type
5. Pull Finish

Order Code

L Cabinets

Example: YSFCWL4924LL, 118, 118, E, 118T

YSFCW	L Cabinets
L	Door on Left
49	Height
24	Depth
L	Laminate
L	Lock
118	Bright White Laminate
118	Bright White Laminate
E	Edge Pull
118T	Bright White Paint

Included With

L Cabinets

Coat bar

18" Wide Wardrobes

Coat Hook

36" Wide Wardrobes

Coat Rod

Options

L Cabinets and Wardrobes

Finish Options:

(L) = All the same laminate for the exterior case/shelves and door front
 (M) = Laminate exterior case/shelves and veneer door front
 (V) = All the same veneer for the exterior case/shelves and door front

Lock Options:

To specify an L cabinet without a lock, replace the "L" suffix in the pattern number with an "N".

Door Pull Options:

(E) = Edge Pull
 (I) = Insert Pull
 (O) = Loop Pull

See planning guide page for door pull finish options.

Floorstanding File Cabinets

Planning Guidelines and Specifications

File cabinets provide filing space for individual or group workspaces. Finished on all sides, file cabinets are freestanding and are applicable in private offices, as credenza storage or along a storage wall.

File cabinets are 36" wide, 19" deep and available in six horizons to align with other floorstanding cabinets and critical Antenna heights:

- 25"H cabinet, with 6"H shelf or personal drawer over one file, aligns with Antenna desk legs and can support one end of an Antenna desk.
- 28"H cabinet, with 12"H shelf or file drawer over one file drawer, aligns with Antenna desk height.
- 42"H cabinet, with 12"H shelf over two files, aligns with Antenna screens to 42"H horizon.
- 49"H cabinet, with 6" and 12"H shelves over two files, aligns with screens to 49"H horizon.

- 56"H cabinet, with two 12"H shelves over two files.
- 67"H cabinet, with one 11 1/2"H and two 12"H shelves, which can align with an open or enclosed cabinet, wall mounted 24" above desk height.

Desk support adapters must be specified separately for desk support applications. Counterweight/ballast kits should be specified for file cabinets in applications that are not connected to a desk or other storage cabinets.

The upper shelf in 49" and 56"H cabinets and the two upper shelves in 67"H cabinets can be adjusted in height. File drawers are sized for side-to-side, suspended letter-depth or legal-depth file folders.

Construction

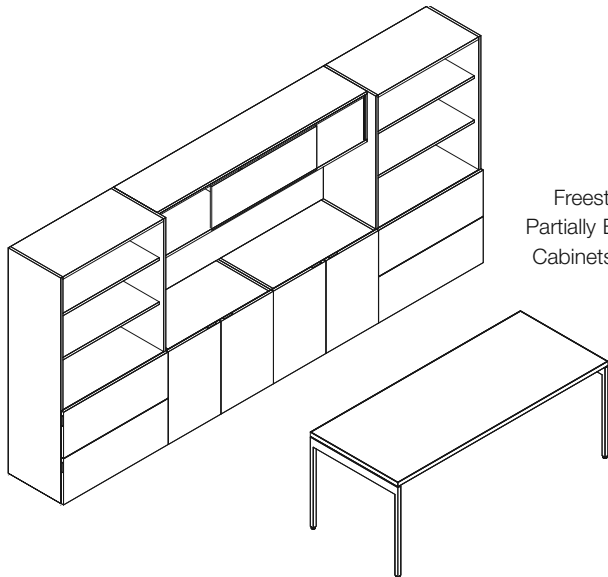
Floorstanding cabinets are composed of 3/4" MDF panels joined in discreet, glue-and-dowel construction, with a 1-1/4"H base for stability.

Floorstanding cabinets include levelers with 1-1/2" travel.

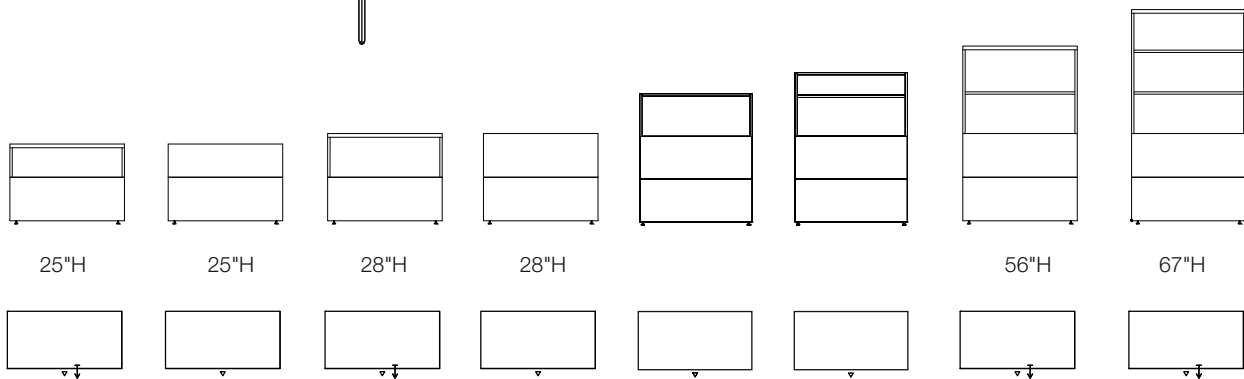
Drawer bodies are black painted steel construction, 33"W x 16"D, with full extension, ball bearing drawer slides. Each drawer also includes a side-to-side letter filing support, 33"W, and two front-to-back supports for letter or legal-width suspended filing.

Specification Options

Specify laminate (L), "mixed" twotone laminate or laminate case with veneer front (M) or veneer (V) case. File cabinets are always locking. Case finish exterior is available in any Knoll Core laminate or veneer. When case exterior is specified in laminate, specify drawer front finish in any Knoll Core laminate (L) or veneer (V). Specify pull type: Edge (E), Insert (I) or Loop (O). Edge pulls are available in any Knoll Core paint finish, Dark Red, Slate Blue or in Chrome (PD). Loop pulls are available in any Knoll Core paint finish, Dark Red or Slate Blue. Insert pulls are available in Chrome (PD).



Freestanding Private Office with Partially Enclosed Cabinets, Enclosed Cabinets and Wall Mounted Cabinet

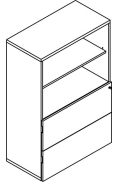


File Cabinet Heights

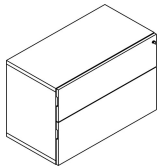
Floorstanding File Cabinets

25", 28", 42", 49", 56" and 67" High

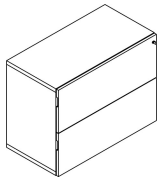
description	w	d	h	pattern no.	list	All Same	Laminate	Laminate	Laminate	All V1	All V2	All V3
						Laminate (L)	Case w/ V1 Fronts (M)	Case w/ V2 Fronts (M)	Case w/ V3 Fronts (M)			
Partially Enclosed Shelf Cabinets with Open Shelves Above and Drawers Below (56" high shown)	36"	18 ⁷ / ₈ "	42"	YSFCOFF4236()L	\$0.	\$3,251.	\$3,647.	\$3,739.	\$3,900.	\$4,929.	\$5,555.	\$7,220.
	36"	18 ⁷ / ₈ "	49"	YSFCOFF4936()L	0.	3,427.	3,845.	3,941.	4,112.	5,241.	5,909.	7,682.
	36"	18 ⁷ / ₈ "	56"	YSFCOFF5636()L	0.	3,604.	4,045.	4,146.	4,326.	5,555.	6,263.	8,143.
	36"	18 ⁷ / ₈ "	67"	YSFCOFF6736()L	0.	3,782.	4,243.	4,349.	4,537.	5,870.	6,618.	8,604.



Enclosed Box/File Cabinet	36"	18 ⁷ / ₈ "	25"	YSFCBF2536()L	0.	2,659.	2,983.	3,058.	3,191.	3,982.	4,491.	5,837.
---------------------------	-----	----------------------------------	-----	-----------------------	----	--------	--------	--------	--------	--------	--------	--------



Enclosed File/File Cabinet	36"	18 ⁷ / ₈ "	28"	YSFCFF2836()L	0.	2,717.	3,050.	3,125.	3,261.	4,088.	4,609.	5,992.
----------------------------	-----	----------------------------------	-----	-----------------------	----	--------	--------	--------	--------	--------	--------	--------



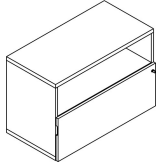
Ordering Information	Order Code	Included With	Options
Floorstanding File Cabinets	Floorstanding File Cabinets	Floorstanding File Cabinets	Floorstanding File Cabinets
1. Pattern Number	<i>Example:</i> YSFCFF2836LL, 118, 118, E, 118T	Levelling glides	Finish Options:
2. Case Finish	YSFCFF Enclosed File Cabinets	File bars	(L) = All the same laminate for the exterior case/shelves and door front
3. Door Finish	28 Height		(M) = Laminate exterior case/shelves and veneer door front
4. Pull Type	36 Width		(V) = All the same veneer for the exterior case/shelves and door front
5. Pull Finish	L Laminate		
	L Lock		Lock Options:
	118 Bright White Laminate		To specify an enclosed shelf cabinet without a lock, replace the "L" suffix in the pattern number with an "N".
	118 Bright White Laminate		
	E Edge Pull		Door Pull Options:
	118T Bright White Paint		(E) = Edge Pull

See planning guide page for door pull finish options.

Floorstanding File Cabinets

25", 28", 42", 49", 56" and 67" High

description	w	d	h	pattern no.	list	All Same	Laminate	Laminate	Laminate	All V1	All V2	All V3
						Laminate	Case w/	Case w/	Case w/			
						(L)	V1 Fronts	V2 Fronts	V3 Fronts	(V)	(V)	(V)
Partially Enclosed File Cabinet (25" high shown)	36"	18 ⁷ / ₈ "	25"	YSFCOF2536()L	\$0.	\$2,481.	\$2,784.	\$2,853.	\$2,979.	\$3,668.	\$4,135.	\$5,377.
	36"	18 ⁷ / ₈ "	28"	YSFCOF2836()L	0.	2,541.	2,852.	2,922.	3,049.	3,772.	4,254.	5,530.



File Cabinet				YSFWB36	397.	0.	0.	0.	0.	0.	0.	0.
Ballast/Counterweight												

Ordering Information	Order Code	Included With	Options
Floorstanding File Cabinets 1. Pattern Number 2. Case Finish 3. Door Finish 4. Pull Type 5. Pull Finish	Floorstanding File Cabinets <i>Example:</i> YSFCFF2836LL, 118, 118, E, 118T <hr/> YSFCFF Enclosed File Cabinets <hr/> 28 Height <hr/> 36 Width <hr/> L Laminate <hr/> L Lock <hr/> 118 Bright White Laminate <hr/> 118 Bright White Laminate <hr/> E Edge Pull <hr/> 118T Bright White Paint	Floorstanding File Cabinets Levelling glides File bars	Floorstanding File Cabinets Finish Options: (L) = All the same laminate for the exterior case/shelves and door front (M) = Laminate exterior case/shelves and veneer door front (V) = All the same veneer for the exterior case/shelves and door front Lock Options: To specify an enclosed shelf cabinet without a lock, replace the "L" suffix in the pattern number with an "N". Door Pull Options: (E) = Edge Pull (I) = Insert Pull (O) = Loop Pull See planning guide page for door pull finish options.

Enclosed Shelf Cabinets

Floorstanding shelf cabinets are designed to provide space definition and privacy for group workspaces. Shelf cabinets are finished on all sides.

Shelf cabinets are freestanding and applicable in private offices as credenza or storage wall.

Each shelf cabinet is 36" wide and 18" deep overall, and available in 25", 28", 42", 49" and 56" horizons.

All cabinets have two full-height doors. 56"H floorstanding cabinet units are also available with four doors, split at the center to align with adjacent 28"H cabinets or desk height.

25" and 28" high cabinets are also available with a partially open back for wire management access through the back of the cabinet.

A 6" opening starts 12" above the ground providing access above and below the shelf.

Construction

Floorstanding cabinets are composed of ¾" MDF panels joined in discreet, glue-and-dowel construction, with a 1 ¼"H base for stability.

Hinged doors open 135 degrees for easy access.

Floorstanding cabinets include levelers with 1 ½" travel.

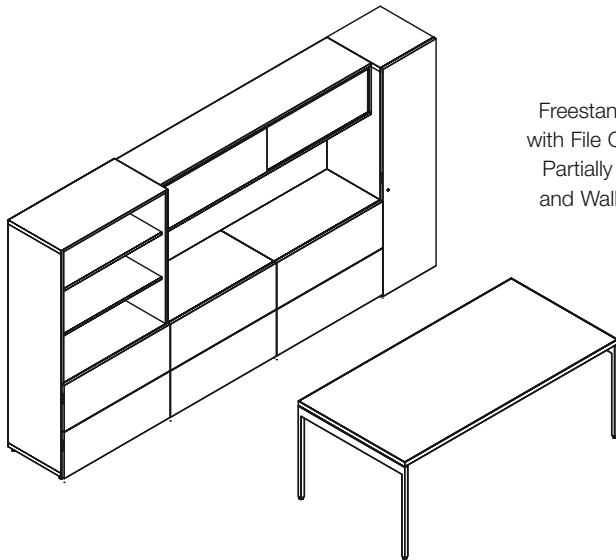
Specification Options

Shelf cabinets can be specified in any core laminate or veneer for case, shelves and doors. Shelf cabinets can also be specified in laminate with contrasting laminate or veneer doors.

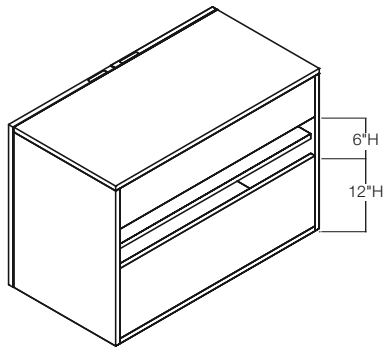
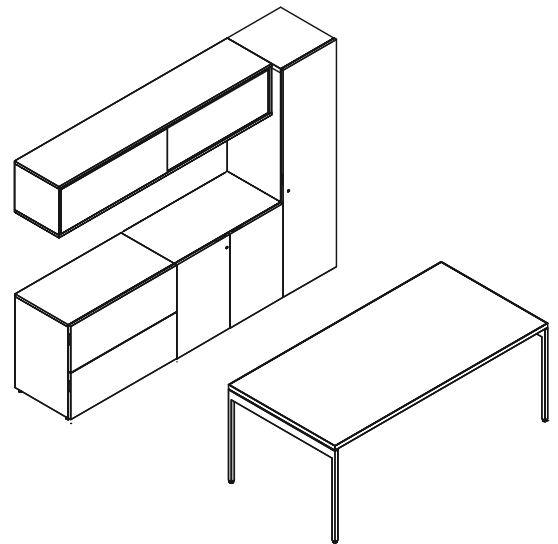
Specify laminate (L), "mixed" two-tone laminate or laminate case with veneer front (M) or veneer (V) case. Cabinets are available either locking (L) or non-locking (N).

Case finish exterior is available in any Knoll Core laminate or veneer. When case exterior is specified laminate, specify drawer front finish in any Knoll Core laminate (L) or veneer (V).

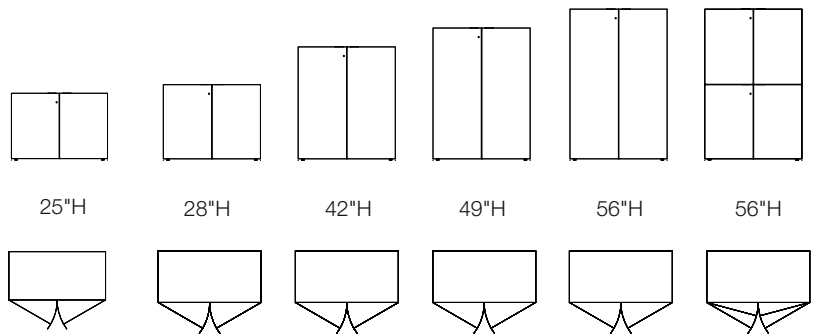
Specify pull type: Edge (E), Insert (I) or Loop (O). Edge pulls are available in any Knoll Core paint finish, Dark Red, Slate Blue or in Chrome (PD). Loop pulls are available in any Knoll Core paint finish, Dark Red or Slate Blue. Insert pulls are available in Chrome (PD).



Freestanding Private Office with File Cabinets, Wardrobe, Partially Enclosed Cabinet and Wall Mounted Cabinet



25" High Enclosed Shelf Cabinet with Hinged Doors, Partially Open Back

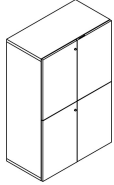


Enclosed Shelf and File Cabinet Heights

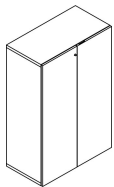
Floorstanding Enclosed Shelf Cabinets

25", 28", 42", 49" and 56" High

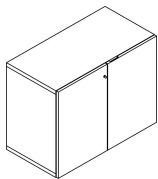
description	w	d	h	pattern no.	list	All Same	Laminate	Laminate	Laminate	All V1	All V2	All V3
						Laminate (L)	Case w/ V1 Fronts (M)	Case w/ V2 Fronts (M)	Case w/ V3 Fronts (M)			
Enclosed Shelf Cabinet with Four Doors	36"	18 7/8"	56"	YSFC4D5636()L	n/a	\$3,546.	\$3,978.	\$4,079.	\$4,254.	\$6,393.	\$7,209.	\$9,371.



Enclosed Shelf Cabinets with Two Doors (56" high shown)	36"	18 7/8"	25"	YSFC2D2536()L	n/a	2,127.	2,339.	2,446.	2,552.	3,803.	4,373.	5,685.
	36"	18 7/8"	28"	YSFC2D2836()L	n/a	2,187.	2,405.	2,516.	2,623.	3,904.	4,491.	5,837.
	36"	18 7/8"	42"	YSFC2D4236()L	n/a	2,481.	2,730.	2,853.	2,979.	4,522.	5,200.	6,761.
	36"	18 7/8"	49"	YSFC2D4936()L	n/a	2,896.	3,185.	3,331.	3,473.	5,241.	6,028.	7,835.
	36"	18 7/8"	56"	YSFC2D5636()L	n/a	3,191.	3,509.	3,670.	3,830.	5,755.	6,618.	8,604.



Enclosed Shelf Cabinets with Two Doors and Partially Open Back (28" high shown)	36"	18 7/8"	25"	YSFC2D02536()	n/a	2,127.	2,339.	2,446.	2,552.	3,803.	4,373.	5,685.
	36"	18 7/8"	28"	YSFC2D02836()	n/a	2,187.	2,405.	2,516.	2,623.	3,904.	4,491.	5,837.



Ordering Information	Order Code	Included With	Options
Enclosed Shelf Cabinets	Enclosed Shelf Cabinets	Enclosed Shelf Cabinets	Enclosed Shelf Cabinets
1. Pattern Number	<i>Example:</i> YSFC2D4936LL, 118, 118, 118, E, 118T	Shelves	Finish Options:
2. Case/Shelves Finish		Levelling glides	(L) = All the same laminate for the exterior case/shelves and door front
3. Door Finish	YSFC Enclosed Shelf Cabinets		(M) = Laminate exterior case/shelves and veneer door front
4. Pull Type	2D Two Doors		(V) = All the same veneer for the exterior case/shelves and door front
5. Pull Finish	49 Height		Lock Options:
	36 Width		To specify an enclosed shelf cabinet without a lock, replace the "L" suffix in the pattern number with an "N".
	L Laminate		Door Pull Options:
	L Lock		(E) = Edge Pull
	118 Bright White Laminate		(I) = Insert Pull
	118 Bright White Laminate		(O) = Loop Pull
	E Edge Pull		
	118T Bright White Paint		See planning guide page for door pull finish options.

Partially Enclosed Cabinets

Partially enclosed cabinets are designed for storage and space definition in open plan workspaces, and can also serve as credenza or work wall in private offices and conference rooms. Partially enclosed cabinets combine partial and full 12 3/8"H binder height shelf storage with files or shelves with doors. Floorstanding cabinets are freestanding and finished on all sides.

Partially enclosed cabinets with doors are 36" wide, 19" deep and 56" high. Doors may be specified to cover the top half of the cabinet, with two open fixed binder height shelves below, or cover the bottom half of the cabinet with two fixed height open shelves above.

The upper shelf in 49"H and 56"H cabinets and the two upper shelves in 67"H cabinet can be adjusted in height.

Construction

Floorstanding cabinets are composed of 3/4" MDF panels joined in discreet, glue-and-dowel construction, with a 1 1/4"H base for stability. Floorstanding cabinets with file drawers are equipped with an interlock for stability. Hinged doors open 135 degrees for easy access. Floorstanding cabinets include levelers with 1 1/2" travel.

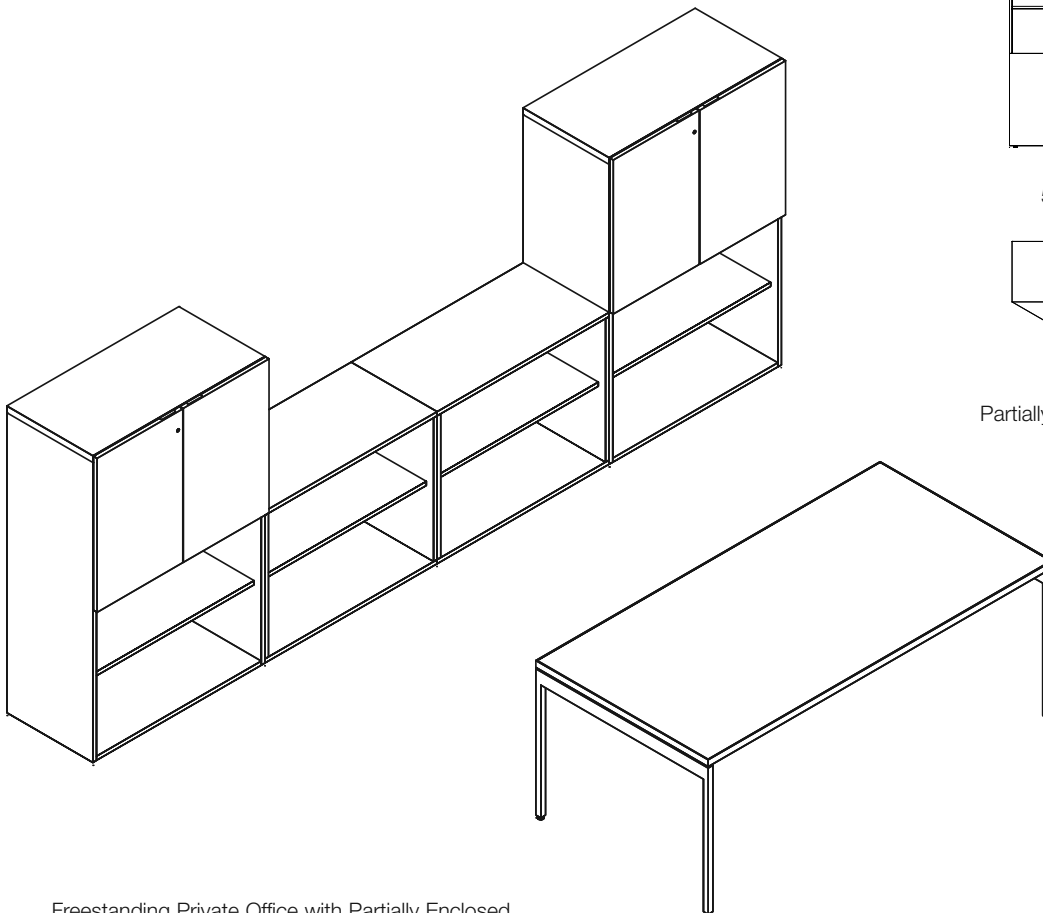
Specification Options

Specify laminate (L), "mixed" two-tone laminate or laminate case with veneer front (M) or veneer (V) case. Cabinets are available either locking (L) or non-locking (N).

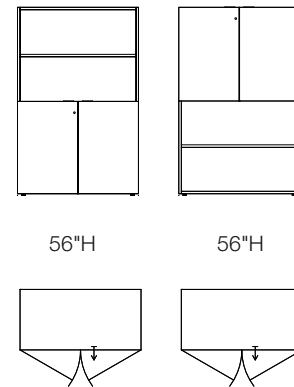
Case finish exterior is available in any Knoll Core laminate or veneer. When case exterior is specified laminate, specify drawer front finish

in any Knoll Core laminate (L) or veneer (V).

Specify pull type: Edge (E), Insert (I) or Loop (O). Edge pulls are available in any Knoll Core paint finish, Dark Red, Slate Blue or in Chrome (PD). Loop pulls are available in any Knoll Core paint finish, Dark Red or Slate Blue. Insert pulls are available in Chrome (PD).



Freestanding Private Office with Partially Enclosed Shelf Cabinets and Open Shelf Cabinets



56"H

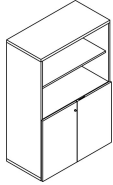
56"H

Partially Enclosed Shelf Cabinet Heights

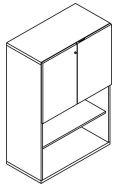
Floorstanding Partially Enclosed Shelf Cabinets

42", 49", 56" and 67" High

description	w	d	h	pattern no.	All Same	Laminate	Laminate	Laminate	All V1	All V2	All V3
					Laminate	Case w/	Case w/	Case w/			
					(L)	V1 Fronts	V2 Fronts	V3 Fronts	(V)	(V)	(V)
Partially Enclosed Shelf Cabinet with Open Shelves Above and Enclosed Shelves Below	36"	18 ⁷ / ₈ "	56"	YSFC02D5636()L	\$3,072.	\$3,379.	\$3,534.	\$3,687.	\$5,424.	\$6,239.	\$8,110.



Partially Enclosed Shelf Cabinet with Enclosed Shelves Above and Open Shelves Below	36"	18 ⁷ / ₈ "	56"	YSFC2D05636()L	3,072.	3,379.	3,534.	3,687.	5,424.	6,239.	8,110.
---	-----	----------------------------------	-----	------------------------	--------	--------	--------	--------	--------	--------	--------



Ordering Information	Order Code	Included With	Options
Partially Enclosed Shelf Cabinets	Partially Enclosed Shelf Cabinets	Partially Enclosed Shelf Cabinets	Partially Enclosed Shelf Cabinets
1. Pattern Number	<i>Example:</i> YSFC2D4936LL, 118,	Shelves	Finish Options:
2. Case/Shelves Finish	118, 118, E, 118T	Levelling glides	(L) = All the same laminate for the exterior case/shelves and door fronts
3. Door Finish	YSFC Enclosed Shelf Cabinets	Partially Enclosed Shelf Cabinet with Drawers	(M) = Laminate exterior case/shelves and veneer door fronts
4. Pull Type	2D Two Doors	Levelling glides	(V) = All the same veneer for the exterior case/shelves and door fronts
5. Pull Finish	49 Height	Filing bars	Lock Options:
	36 Width		To specify a partially enclosed shelf cabinet without a lock, replace the "L" suffix in the pattern number with an "N".
	L Laminate		Door Pull Options:
	L Lock		(E) = Edge Pull
	118 Bright White Laminate		(I) = Insert Pull
	118 Bright White Laminate		(O) = Loop Pull
	E Edge Pull		See planning guide page for door pull finish options.
	118T Bright White Paint		

Floorstanding Open Shelf Cabinets

Planning Guidelines and Specifications

Open Shelf Cabinets

Floorstanding shelf cabinets are designed to provide space definition and privacy for group workspaces. Shelf cabinets are finished on all sides.

Shelf cabinets are freestanding and applicable in private offices as credenza or storage wall.

Each shelf cabinet is 36" wide and 18" deep overall, and available in 25", 28", 42", 49" and 56" horizons.

25" and 28" high cabinets are also available with a partially open back for wire management access through the back of the cabinet.

A 6" opening starts 12" above the ground providing access above and below the shelf.

Open shelf cabinets have fixed height shelves.

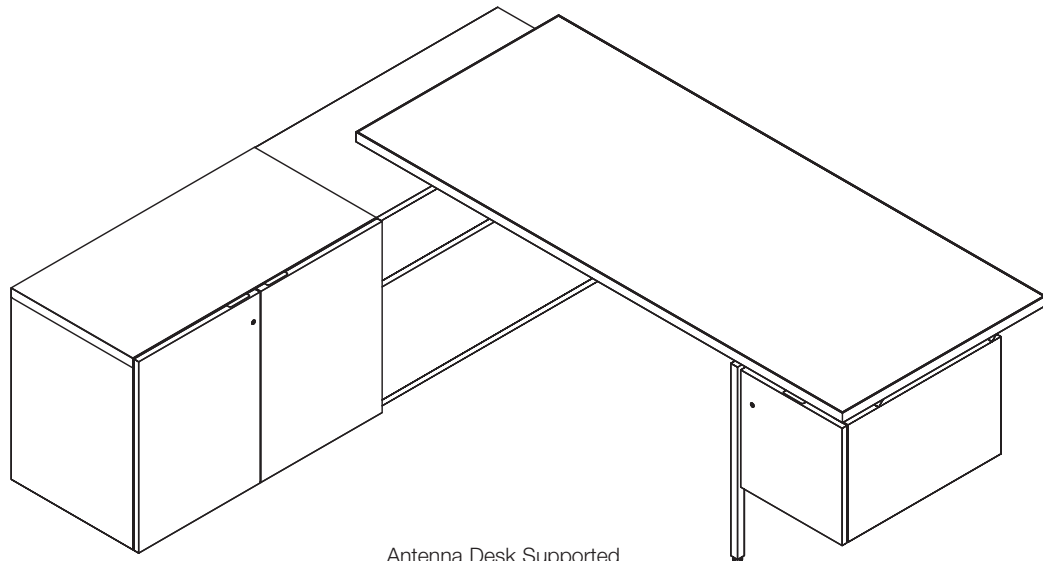
Construction

Floorstanding cabinets are composed of ¾" MDF panels joined in discreet, glue-and-dowel construction, with a 1 ¼"H base for stability.

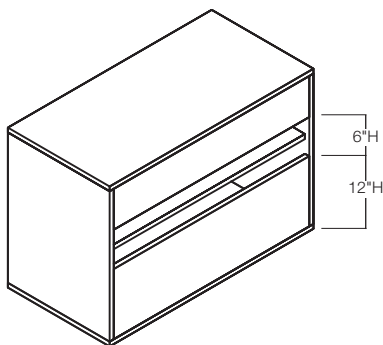
Floorstanding cabinets include levelers with 1 ½" travel.

Specification Options

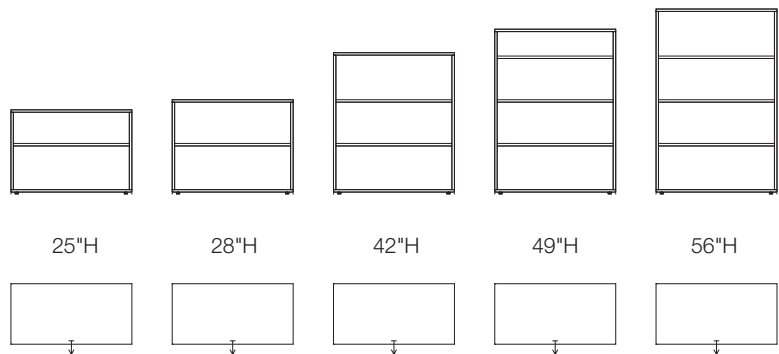
Specify laminate (L) or veneer (V) case. Case finish is available in any Knoll Core laminate or veneer. When a laminate case is specified, shelves may be specified in any Knoll Core laminate (L) or veneer (V).



Antenna Desk Supported by Open Shelf Cabinet



25" High Open Shelf Cabinet, Partially Open Back

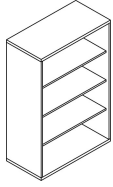


Open Shelf Cabinet Configurations

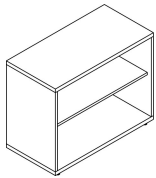
Floorstanding Open Shelf Cabinets

25", 28", 42", 49" and 56" High

description	w	d	h	pattern no.	Laminate (L)	V1 (V)	V2 (V)	V3 (V)
Open Shelf Cabinets (56" high shown)	36"	18"	25"	YSFCOS2536()	\$1,654.	\$2,837.	\$3,261.	\$4,243.
	36"	18"	28"	YSFCOS2836()	1,715.	2,955.	3,397.	4,421.
	36"	18"	42"	YSFCOS4236()	2,010.	3,427.	3,988.	5,122.
	36"	18"	49"	YSFCOS4936()	2,127.	3,782.	4,349.	5,655.
	36"	18"	56"	YSFCOS5636()	2,245.	4,018.	4,620.	6,010.



Open Shelf Cabinets with Partially Open Back (28" high shown)	36"	18"	25"	YSFCOSO2536()	1,654.	2,837.	3,261.	4,243.
	36"	18"	28"	YSFCOSO2836()	1,715.	2,955.	3,397.	4,421.



Ordering Information

Open Shelf Cabinets

1. Pattern Number
2. Case Finish
3. Shelf Finish (Laminate Only)

Order Code

Open Shelf Cabinets

Example: YSFCOS4936L, 118, 118

YSFCOS	Open Shelf Cabinets
49	Height
36	Width
L	Laminate
118	Bright White Laminate
118	Bright White Laminate

Included With

Open Shelf Cabinets
Fixed height shelves
Levelling glides

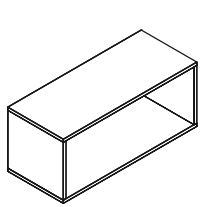
Options

Open Shelf Cabinets

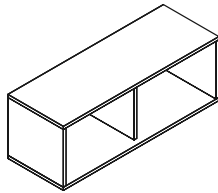
Finish Options:
(L) = Laminate
(V) = Veneer

Wood Cabinets

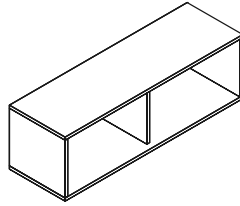
Open Shelf Cabinets



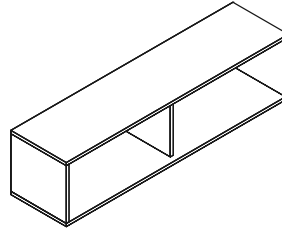
36" Wide



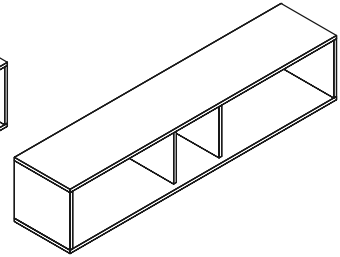
42" Wide



48" Wide

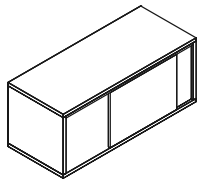


60" Wide

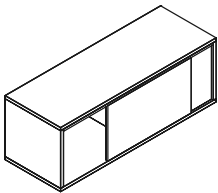


72" Wide

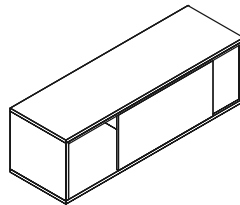
Sliding Door Cabinets



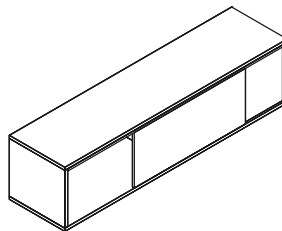
36" Wide



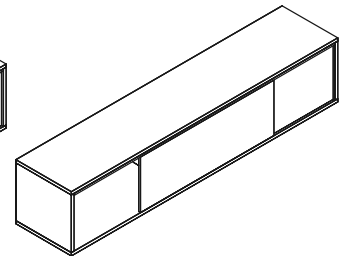
42" Wide



48" Wide



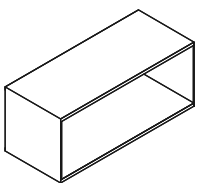
60" Wide



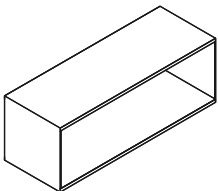
72" Wide

Metal Cabinets

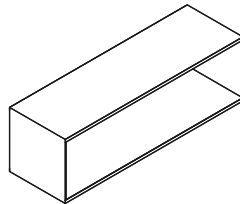
Open Front and Enclosed Back Cabinets



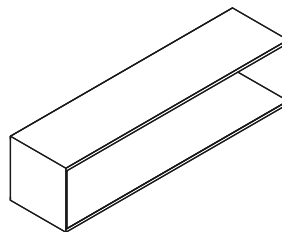
36" Wide



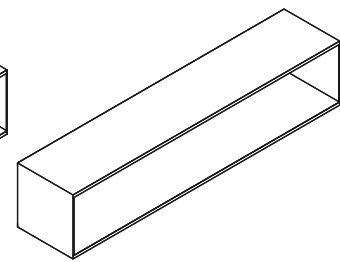
42" Wide



48" Wide

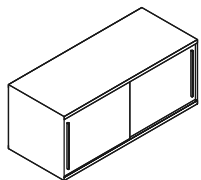


60" Wide

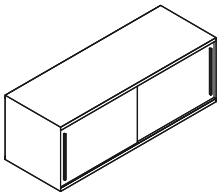


72" Wide

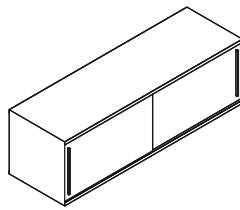
Sliding Door Cabinets



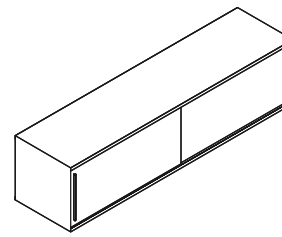
36" Wide



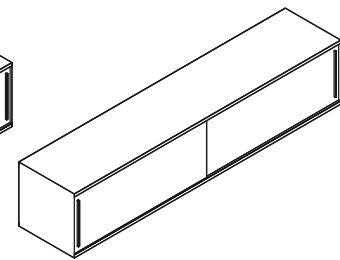
42" Wide



48" Wide



60" Wide



72" Wide

Wall Mounted Wood Cabinets

Open and Sliding Doors

Planning Guidelines and Specifications

Wall Mounted Wood Cabinets

Wall mounted wood cabinets provide binder storage within private offices or walled, group workspaces. Cabinets are available in two configurations: open front with enclosed back, or fully enclosed, with overlapping sliding doors.

Cabinets mount on slim profile aluminum cleat, included.

Open and enclosed cabinets are available in 36", 42", 48", 60" and 72" widths, with a center partition for structure. Enclosed cabinets have two half-width doors, in laminate or veneer surface.

All wall mounted cabinets are 15"H x 15"D, with 13 1/2" clear interior height for binder storage. Cabinets can be specified in laminate or veneer. Open cabinets can also be specified in a combination of core laminates for the case and contrasting core or "pop" color laminates for all interior surfaces.

Construction

Case is composed of 3/4" thick wood panels, with discreet glue-and-dowel connections.

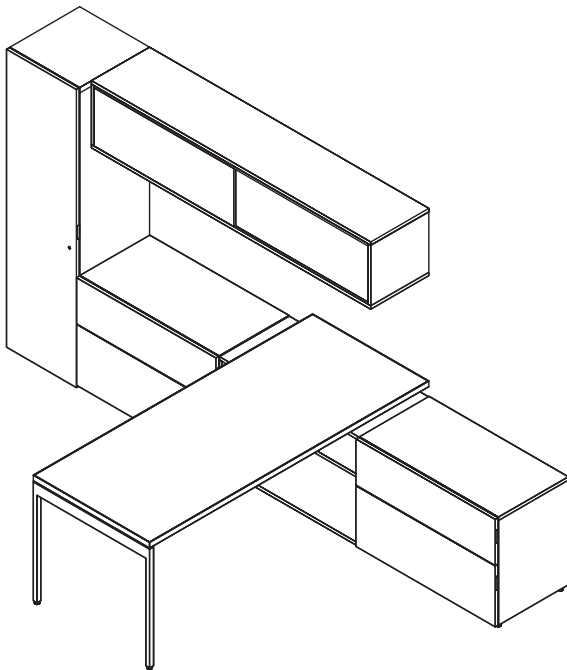
Specification Options

Specify laminate (L) or veneer (V) case.

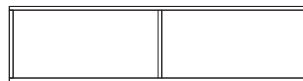
Case finish exterior is available in any Knoll Core laminate or veneer. When the case exterior is laminate, case interior is available in any Knoll Core or Accent laminate. When an Accent laminate is specified, the edgeband will match the exterior core laminate finish.

Door sets are specified separately to enable any combination of wood or laminate case and doors. Specify drawer front sets in any Knoll Core laminate (L) or veneer (V).

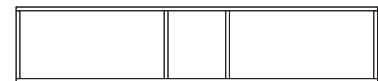
Pulls are available in any Knoll Core paint finish, Dark Red or Slate Blue.



Private Office Application with Wall Mounted Cabinet, Wardrobe and File Cabinets



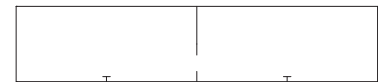
60"W Open Cabinet Elevation



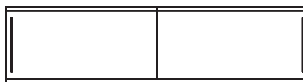
72"W Open Cabinet Elevation



60"W Open Cabinet Plan



72"W Open Cabinet Plan



60"W Sliding Door Cabinet Elevation



72"W Sliding Door Cabinet Elevation



60"W Sliding Door Cabinet Plan



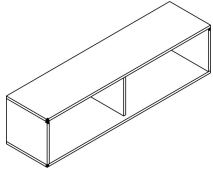
72"W Sliding Door Cabinet Plan

Wall Mounted Wood Cabinets

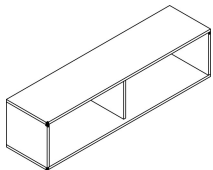
Laminate or Veneer Case

36", 42", 48", 60" or 72" Wide

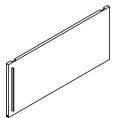
description	w	d	h	pattern no.	All Same Laminate (L)	Different Laminate Case/ Interior (Core Lam.) (L)	Different Laminate Case/ Interior (Accent Lam.) (L)	V1	V2	V3
Wall Mounted Wood Cabinets, Open Front and Enclosed Back	36"	15 1/2"	15"	YSWMO3615()	\$1,435.	\$1,578.	\$2,095.	\$2,095.	\$2,409.	\$3,011.
	42"	15 1/2"	15"	YSWMO4215()	1,491.	1,642.	2,195.	2,195.	2,525.	3,156.
	48"	15 1/2"	15"	YSWMO4815()	1,550.	1,704.	2,295.	2,295.	2,640.	3,299.
	60"	15 1/2"	15"	YSWMO6015()	1,654.	1,819.	2,364.	2,364.	2,717.	3,534.
	72"	15 1/2"	15"	YSWMO7215()	1,773.	1,950.	2,659.	2,659.	3,058.	3,975.



Wall Mounted Wood Cabinets, Sliding Door Cabinet Case	36"	15 1/2"	15"	YSWMS3615()	1,721.	1,894.	2,495.	2,495.	2,869.	3,585.
	42"	15 1/2"	15"	YSWMS4215()	1,779.	1,956.	2,594.	2,594.	2,984.	3,729.
	48"	15 1/2"	15"	YSWMS4815()	1,835.	2,020.	2,693.	2,693.	3,097.	3,873.
	60"	15 1/2"	15"	YSWMS6015()	1,950.	2,144.	2,837.	2,837.	3,191.	4,007.
	72"	15 1/2"	15"	YSWMS7215()	2,068.	2,275.	3,132.	3,132.	3,532.	4,448.



Sliding Door Set for Wall Mounted Wood Cabinets	36"	3/4"	15"	YSSD3615()	580.	n/a	n/a	909.	1,045.	1,307.
	42"	3/4"	15"	YSSD4215()	631.	n/a	n/a	937.	1,079.	1,348.
	48"	3/4"	15"	YSSD4815()	683.	n/a	n/a	957.	1,099.	1,375.
	60"	3/4"	15"	YSSD6015()	740.	n/a	n/a	1,033.	1,193.	1,554.
	72"	3/4"	15"	YSSD7215()	798.	n/a	n/a	1,124.	1,289.	1,679.



Ordering Information	Order Code	Included With	Options
Wall Mounted Wood Cabinets 1. Pattern Number 2. Exterior Case Finish 3. Interior Case Finish (Laminate only) Sliding Door 1. Pattern Number 2. Door Finish 3. Pull Finish	Wall Mounted Wood Cabinets <hr/> <i>Example:</i> YSWMO6015L, 118, 118 YSWMO Wall Mounted Wood Cabinets <hr/> 60 Width <hr/> 15 Depth <hr/> L Laminate <hr/> 118 Bright White Laminate Exterior <hr/> 118 Bright White Laminate Interior <hr/> Sliding Doors <i>Example:</i> YSSD6015L, 118, E, 118T <hr/> YSSD Sliding Door <hr/> 60 Width <hr/> 15 Depth <hr/> L Laminate <hr/> 118 Bright White Laminate <hr/> 118T Bright White Paint	Wall Mounted Wood Cabinets Sliding Doors Hardware	Wall Mounted Wood Cabinets Case Finish Options: (L) = All the same or different laminates for the exterior and interior case (V) = All the same veneer for the exterior and interior case Sliding Doors Door Finish Options: (L) = Laminate (V) = Veneer Door pulls are available in Knoll core paints, Dark Red (130) and Slate Blue (131) paint finishes.

Wall Mounted Metal Cabinets

Open and Sliding Doors

Planning Guidelines and Specifications

Wall Mounted Metal Cabinets

Wall mounted metal cabinets provide binder storage within private offices or walled, group workspaces. Cabinets are available in two configurations: open front with enclosed back, or fully enclosed, with overlapping sliding doors.

Cabinets mount on slim profile aluminum cleat, included.

Open and enclosed cabinets are available in 36", 42", 48", 60" and 72" widths. 60" and 72" wide open cabinets have a center partition for structure. Enclosed cabinets have two overlapping half-width painted metal doors.

All wall mounted cabinets are 15"H x 15"D, with 13 1/2" clear interior height for binder storage. Cabinets can be specified in all painted finish case and interior, with matching or contrasting doors finish.

Metal cabinets can be specified with a lock.

Construction

Cabinet top and bottom are formed to 3/4" thick, and sides are flat, heavy gauge steel.

Sliding doors are contained within perimeter frame.

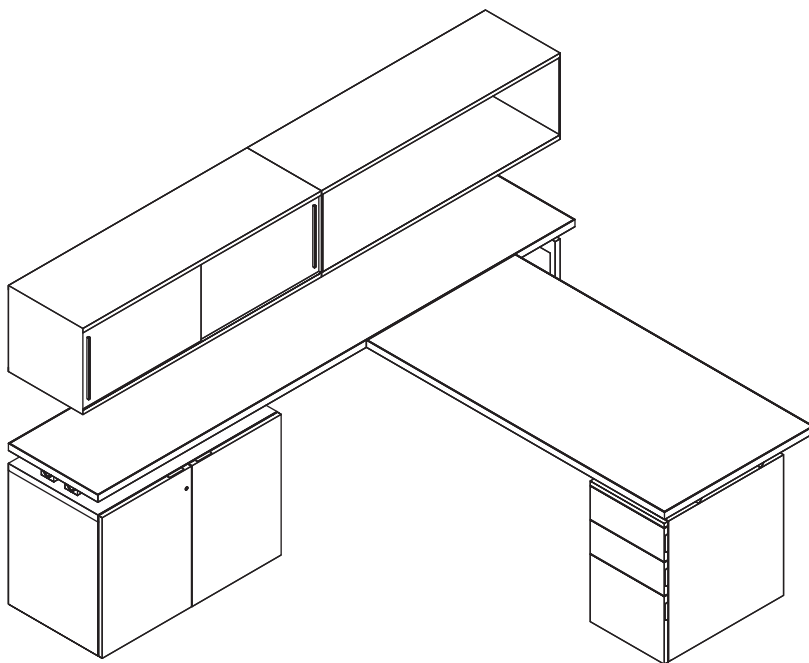
Specification Options

For open cabinets, specify case finish in any Knoll Core paint finish.

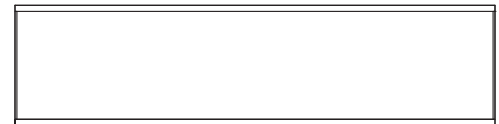
For enclosed cabinets, specify locking (L) or non-locking (N).

When different paint finishes are being selected for the case, doors or pulls, add a (Y) suffix to the pattern number. If a single paint finish is being specified for all components add an (S).

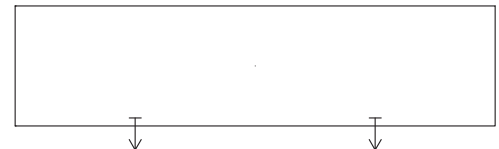
Specify case, doors and pulls in any Knoll Core paint finish.



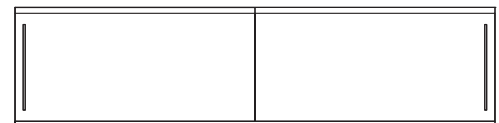
Private Office Application with Wall Mounted Metal Cabinets



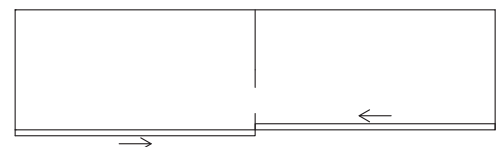
Open Cabinet Elevation



Open Cabinet Plan



Sliding Door Cabinet Elevation



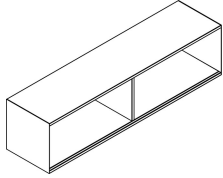
Sliding Door Cabinet Plan

Wall Mounted Metal Cabinets

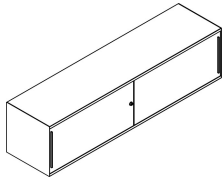
Open and Sliding Doors

36", 42", 48", 60" or 72" Wide

description	w	d	h	pattern no.	P1	P2	P3
Wall Mounted Metal Cabinets, Open Front and Enclosed Back	36"	15"	15"	YSMWMO36	\$813.	\$894.	\$935.
	42"	15"	15"	YSMWMO42	852.	937.	980.
	48"	15"	15"	YSMWMO48	904.	996.	1,040.
	60"	15"	15"	YSMWMO60	1,165.	1,279.	1,338.
	72"	15"	15"	YSMWMO72	1,272.	1,401.	1,464.



Wall Mounted Metal Cabinets, with Sliding Doors	36"	15"	15"	YSMWMS36L	987.	1,085.	1,132.
	42"	15"	15"	YSMWMS42L	1,031.	1,132.	1,183.
	48"	15"	15"	YSMWMS48L	1,089.	1,194.	1,248.
	60"	15"	15"	YSMWMS60L	1,360.	1,492.	1,559.
	72"	15"	15"	YSMWMS72L	1,481.	1,626.	1,697.



Ordering Information	Order Code	Included With	Options
Wall Mounted Metal Cabinets, Open Front 1. Pattern Number 2. Case Finish Wall Mounted Metal Cabinets with Sliding Door 1. Pattern Number 2. Paint Configuration 3. Case Finish 4. Door Finish 5. Pull Finish	Wall Mounted Open Front Metal Cabinets <i>Example:</i> YSMWMO60, 118T YSMWMO Wall Mounted Metal Cabinets 60 Width 118T Bright White Paint Wall Mounted Metal Cabinets with Sliding Door <i>Example:</i> YSMWMS60LY, 118T, 613, 118T YYSMW Wall Mounted Metal Cabinet MS Cabinet 60 Width L Lock Y Different Paint Finishes 118T Bright White Painted Case 613 Silver Painted Door 118T Bright White Painted Pull	Wall Mounted Metal Cabinets, Open Front Full width interlocking wall mount cleats Wall Mounted Metal Cabinets with Sliding Doors Full width interlocking wall mount cleats	Wall Mounted Metal Cabinets, Open Front Wall Mounted Metal Cabinets with Sliding Doors Paint Configuration Options: Add (S) or (Y) at the end of the pattern number to specify the paint configuration. (S) = Same paint finish on case and sliding door (Y) = Different paint finish on case and sliding door Lock Option: To specify a wall mounted metal cabinet with sliding doors without a lock replace the "L" suffix in the pattern number with an "N". Pull Finish Options: Door pulls are available in Knoll core paints, Dark Red (130) and Slate Blue (131) paint finishes. Add \$40 to the list price for painted door pulls.

LED Task Lights

Planning Guidelines and Specifications

LED Task Lights

LED task lights mount into the recess in the underside of metal or wood overhead cabinets at least 5" wider than the task light width. LED task lights must be ordered separately from storage cabinets.

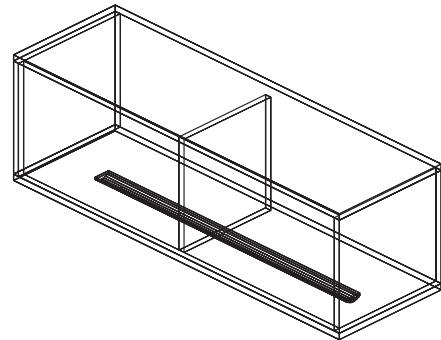
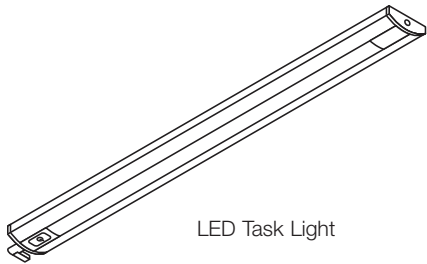
LED task lights include LED's, a power supply with 9'-12' cord and mounting hardware. The power supply cord attaches to either end of the fixture, allowing for easier access to the closest available duplex.

LED task lights are TCLP compliant and meet requirements of California Title 20 and Title 24. Task lights are approved for New York City installations.

Construction

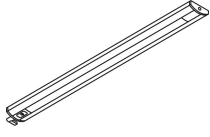
Housings are clear anodized aluminum with white color end-caps.

Model Number	Fixture Length	Lamp Length	Lamp Watts	Input Watts
YL4L17	17"	16.4"	6.6	7.8
YL4L31	31"	30.1"	14.8	17.6
YL4L44	44"	43.7"	21.8	25.9
YL4L58	58"	57.4"	28.2	33.6



LED Task Lights

for wood and metal overhead storage

description	type	w	d	h	pattern no.	list
 LED Task Light	For use with 24" and wider overheads (24 LED's)	17"	2"	1/2"	YL4L17	\$520.
	For use with 36" and wider overheads (48 LED's)	31"	2"	1/2"	YL4L31	867.
	For use with 48" and wider overheads (72 LED's)	44"	2"	1/2"	YL4L44	1,130.
	For use with 66" and wider overheads (96 LED's)	58"	2"	1/2"	YL4L58	1,419.

Ordering Information

LED Task Lights

1. Pattern Number

Order Code

LED Task Lights

Example: **YL4L17**

YL4	Task Light
L	LED
17	Width

Included With

LED Task Lights

LED's
 Power Supply with 9' cord for 17" and 12' cord for 31", 44" and 58"
 Mounting Hardware

Options

LED Task Lights

Housings are clear anodized aluminum with white color end-caps.

Power cord is able to attach to either end of fixture.

Interpole Planning with Standalone Poles

Interpole plans as a standalone pole that secures to the structural ceiling and floor of a building to provide convenient access to technology. Standalone poles have four sides: two channels opposite facing for managing power and communications cables from the ceiling or floor to open plan or panel systems and two opposite facing continuous vertical slots for mounting shelves, screens, accessories or KnollExtra Sapper monitor supports at any height.

Standalone poles enable three planning applications:

- Hub for community spaces
- Display for private offices, assembly and community spaces
- Conduit for unlimited supply to desk and panel systems

Hub

Interpole distributes two-circuit power from floor or ceiling to outlets at lounge, desk or standing height to serve as a recharge station for portable devices. Power and USB outlets snap together with connectors and an infeed from a junction box in floor or ceiling to mount inside one or both channels. Each side of the pole requires its own infeed to supply power to outlets if powering both sides of a pole.

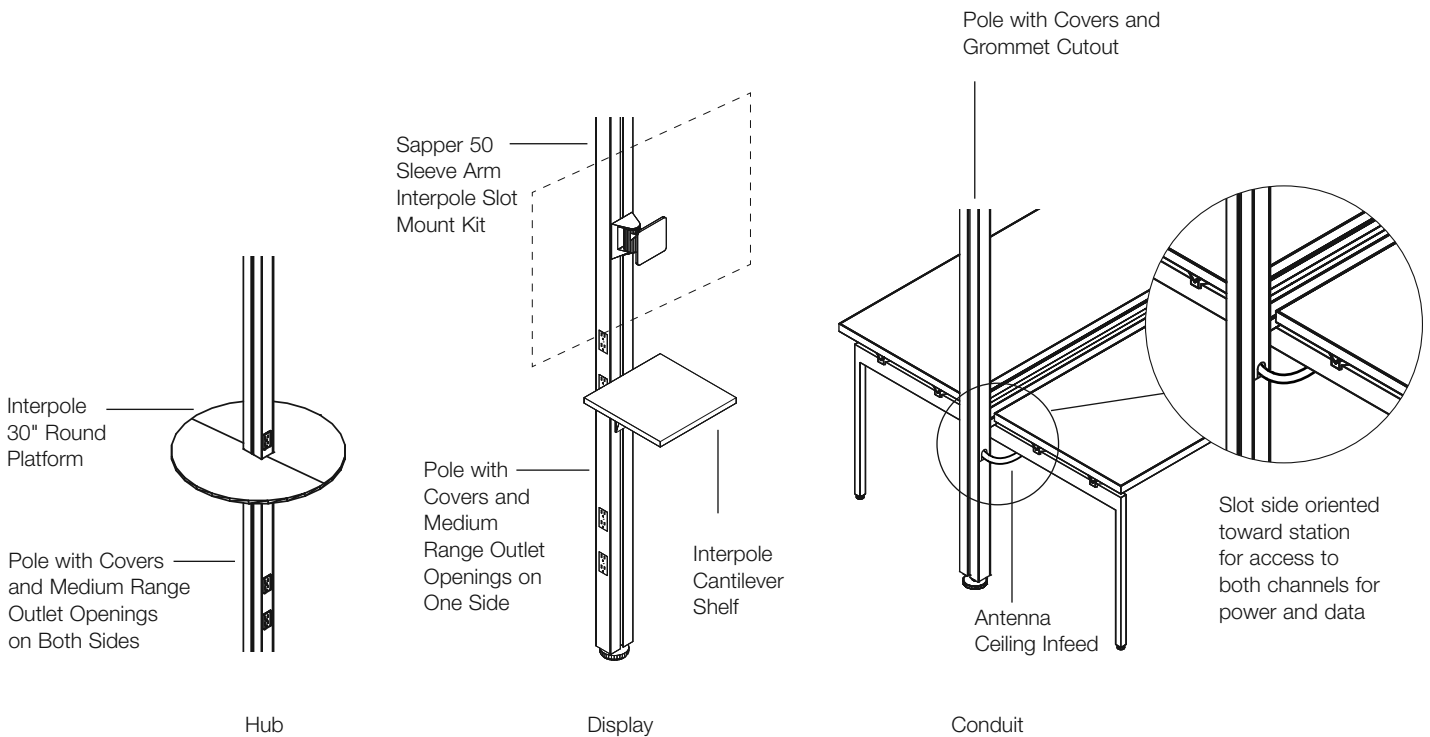
30" Round Counter and 12" x 12" Cantilever Shelf support portable devices while recharging or provide a touch down surface for the mobile worker. Additional accessories such as a coat hook and bag hook mount into the slot side of a pole to accommodate the temporary user.

Display

Standalone Interpole acts as a technology mast in private offices or community spaces by supporting monitors. KnollExtra Sapper Monitor Arm Collection and Sapper XYZ mounts are available for mounting to the slot side of a pole for standalone applications. CPU holder with adjustable straps accommodates various size CPU boxes while the CPU mounting bracket supports a small form factor PC.

Conduit

Standalone poles can route ceiling infeeds of power and communications cables in separate channels to supply Antenna Workspaces linked desks, big table or Fence, or clusters of Dividends Horizon, AutoStrada, Reff Profiles or Morrison panel systems, or Autostrada Spine.



Interpole can define boundaries and support work areas with combinations of screens and storage between two or more poles. Interpole screens and storage are available in heights that create horizons equivalent to stacking up to four Interpole cabinets, or horizons corresponding to Knoll open office system panel heights.

Interpole planning assumes storage or screens are installed at 10 1/8" above the floor.

Screen Horizons

Standard screen horizons are nominal 42", 58" or 74"H, which align with two, three or four Interpole cabinets.

The 42" horizon, utilizing 32"H screens (with 10 1/8" below), enables seated visual contact and access to natural light. The 58" horizon enables seated privacy, plus ideal heights for display, whiteboards or tackable surface.

Additional screen heights, primarily for combinations of storage and screens, enable 25" horizon (aligning with Antenna legs and low storage) or 34" horizon.

Storage Horizons

Multiples of one, two, three or four Interpole horizontal storage cabinets, with 10 1/8" below and 1 1/2" space between them, create horizons of 25", 42", 58" or 74"H.

The 25" horizon is useful for applications in which a desk or table overlaps the cabinet. The 42" horizon enables seated visual contact and access to natural light.

The 58" horizon is appropriate for seated privacy in open plan applications and the 74" horizon is ideal for maximum accessible storage in an enclosed office or privacy in an activity space.

Horizons Combining Screens and Storage

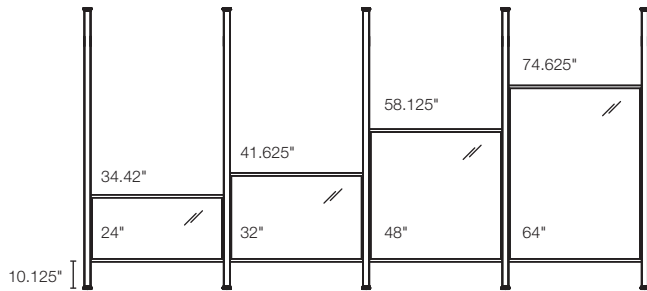
Combinations of screens and storage enable a number of horizons ideal in open plan or activity spaces.

The 42" horizon, created by one cabinet and one 15"H screen, enables visual access and aligns with 42"H panels or storage.

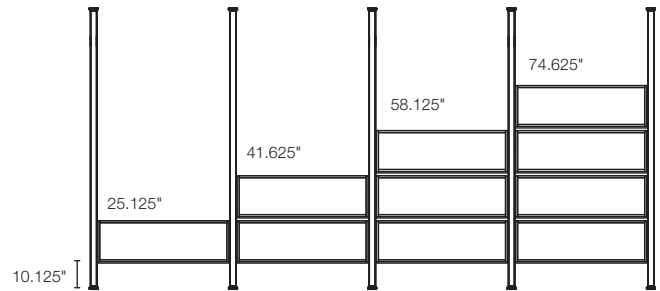
The 51" horizon, with one cabinet and a 24"H screen, is good for seated privacy with whiteboard.

The 67" horizon, with a 24"H screen between two cabinets provides accessible display and privacy, and plans well with perpendicular Antenna desks or seated-to-standing height tables.

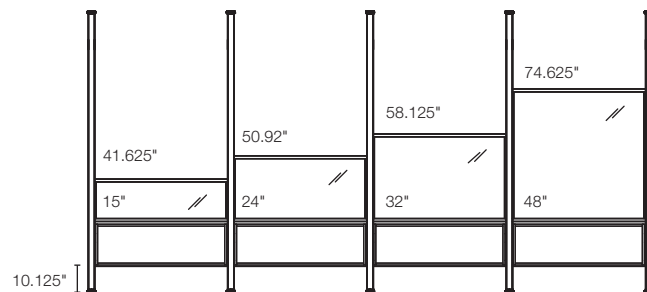
The 74" horizon is especially useful for standing height privacy or enclosed offices.



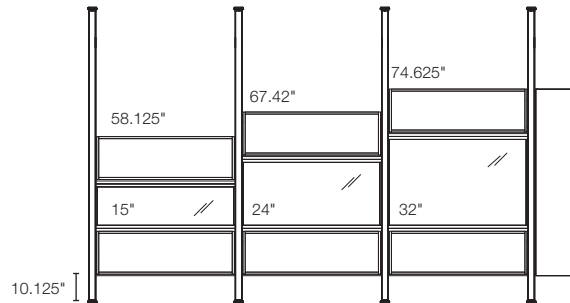
Screen Horizons



Storage Horizons



Storage with Lower Screen Horizons



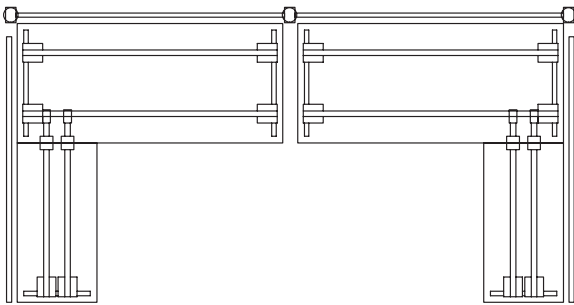
Storage Combined with Lower Screen Horizons

***Note:** nominal dimensions are shown for screens. The overall horizons are actual dimension off finished floor.

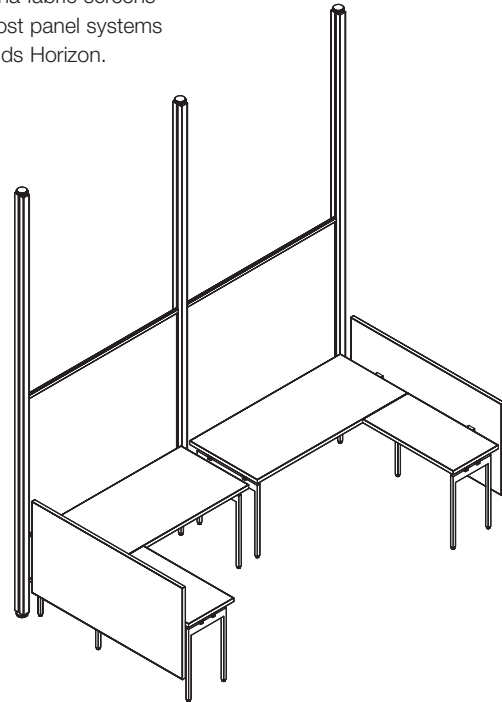
Open Planning with Interpole

Multiple Interpoles with screens or combinations of screens and storage define spines that support individual and group work areas on one or both sides. Interpole's unique floor-to-ceiling structure enables the flexibility of screens, single-sided, shared or "yin-yang" storage and pass through-open spaces, to mount at any height.

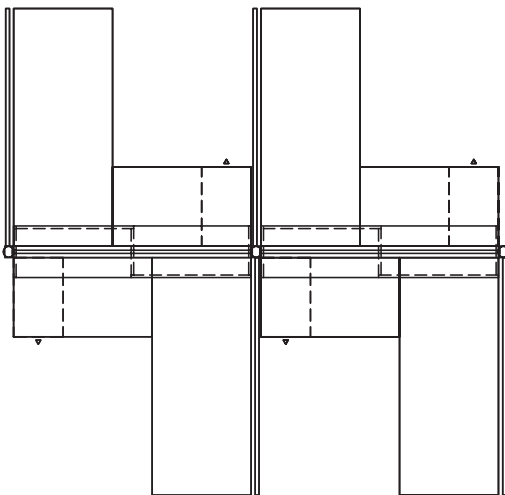
Poles with screens and storage plan with any 6" increment of width from 36" – 72" plus $\frac{5}{8}$ " between poles, plus $2\frac{3}{8}$ " for the pole itself. So a spine of Interpole aligns perfectly with standard desk widths as well as standard freestanding file cabinet widths. And the poles correspond closely with Antenna fabric screens plus a wire drop, as well as most panel systems such as AutoStrada or Dividends Horizon.



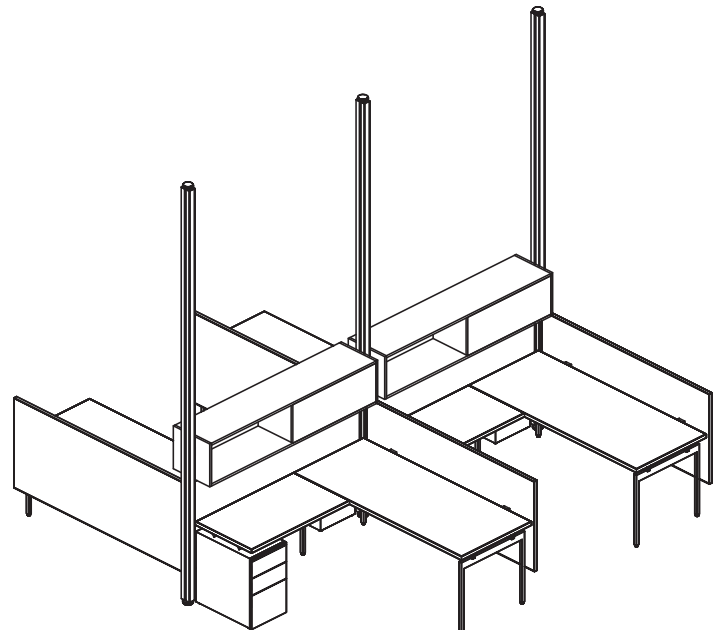
Plan View of Interpole Open Plan Screen Spine with Antenna Desks



Interpole Open Plan Screen Spine with Antenna Desks



Plan View of Interpole Open Plan Storage Spine with Antenna Desks



Interpole Open Plan Storage Spine with Antenna Desks



Pole without Cover



Pole with Covers (no outlets)



Pole with Covers (no outlets) with Grommet one side



Pole with Covers, Low Range Outlets (12"/18"/24"/30")



Pole with Covers, Medium Range Outlets (12"/18"/36"/42")



Pole with Covers, High Range Outlets (12"/18"/60"/66")



Extension Pole

Interpole Poles and Covers

Planning Guidelines and Specifications

Interpole is an independent system of poles, modular power components, screens and accessories that can be planned in combination with Antenna Workspaces desks and tables, big tables and Fence, other systems products or seating to serve and define a variety of workspaces.

Interpole Poles

The fundamental planning component is an H-shape, $2 \frac{3}{8}$ " x $3 \frac{1}{2}$ " pole that spans between and connects to the building floor and structural ceiling.

Poles and covers are 12'-3" tall and can be trimmed to fit lower overall ceiling height. Extension poles 47" tall are available to extend height to fit taller spaces.

Poles engage a mounting bracket fastened to the floor and ceiling deck and "levelers" extend for a compression fit. A set screw at the top of the pole locks the pole securely into position.

Screens, platforms, monitor supports and accessories mount to continuous slots on the two wide sides. Poles can be ordered with covers for U-shape open channels on each narrow side to enclose modular power or 2.36 square inch cross-section for cable distribution.

Cable capacity for Pole channel with a maximum fill of 50% is 16 category 6 cables and 12 category 6a cables per side.

For use as a hub for power or as a monitor support poles should be specified with covers with outlet openings. Extension poles are only available with covers and include a hardware kit for attachment. Extension poles can be cut into shorter segments to extend multiple poles. Each additional segment will require an extension pole extra hardware mounting kit. Maximum overall height capable is one 12' 3" pole and one 47" extension pole.

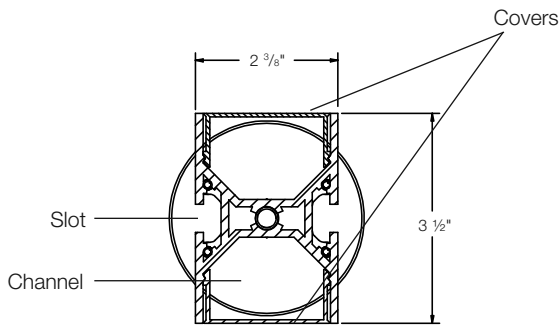
For ceiling infeed to Antenna or other systems, poles should be ordered with covers without outlets openings. For support of screens poles can be ordered with or without covers.

Construction

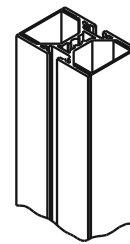
Interpole poles and covers are extruded aluminum. Levelers are steel threaded stems with painted surface on molded ABS caps. Ceiling and floor mounting plates are painted steel.

Specification Options

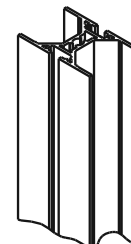
Poles and covers can be specified in natural anodized aluminum (AA) or powder coated Bright White finish (118T). Leveler caps are Satin Chrome (PS) or painted Jet Black (111) or Bright White (118).



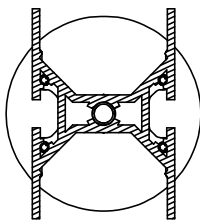
Pole Section with Covers



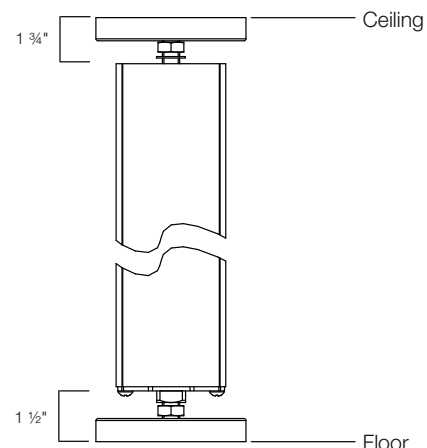
Pole with Covers



Pole without Covers



Pole Section without Covers



Ceiling/Floor Detail

Pole Cover Options

Poles with covers can be ordered with four outlet openings on one or both sides, in three height combinations:

Low: outlets centered at 12", 18", 24", 30" above floor (lounge and desk height)

Medium: outlets centered at 12", 18", 36", 42" above floor (standing height)

High: outlets centered at 12", 18", 60", 66" above floor (TV height)

Outlet openings can be used for Interpole duplex outlets, Decora-size communications faceplates, or filled with a blank faceplate.

Poles can also be ordered without covers, with covers that do not have outlet openings (as for ceiling infeed to adjacent Fence or panel base raceway), or with one cover that has a grommet at the bottom. The grommet can be positioned at any height to enable a ceiling infeed to exit the pole at desk or big table height by shifting the cover up to the desired height. Then the top end of the cover can be trimmed onsite to fill in below the grommet opening.

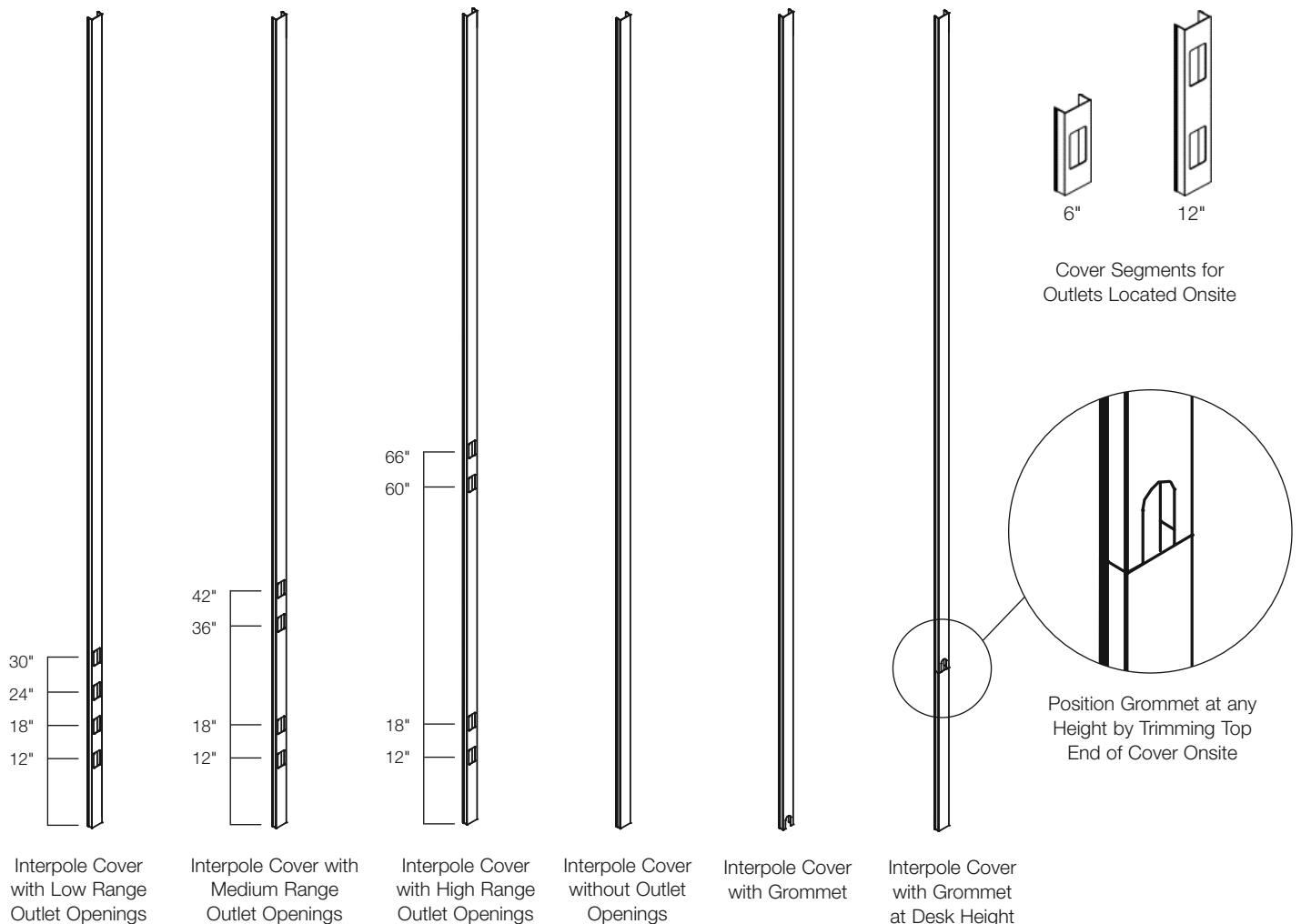
Covers are also available in a 6" or 12" segment for one or two outlet openings to be positioned anywhere on a pole. This can be especially useful when a single outlet is required behind a TV and no outlets are needed below. In this case specify a pole with covers without outlets, and trim a side cover to fit above and below the outlets cover segment.

Construction

Interpole poles and covers are extruded aluminum. Levelers are steel threaded stems with painted surface on molded ABS caps. Ceiling and floor mounting plates are painted steel.


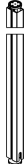
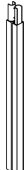
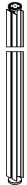
Specification Options

Poles and covers can be specified in natural anodized aluminum (AA) or powder coated Bright White finish (118T). Leveler caps are Satin Chrome (PS) or painted Jet Black (111) or Bright White (118).



Interpole Poles and Covers

Without Outlets (no holes for power)

description	type	w	d	h	pattern no.	AA	118T
Pole with covers, no outlet openings	Straight	2.3"	3.5"	144"	IPSCNN144	\$2,296.	\$2,718.
							
Pole with covers, no outlet openings, grommet in one cover	Straight	2.3"	3.5"	144"	IPSCNG144	2,392.	2,819.
							
Extension Pole with covers	Straight	2.3"	3.5"	47"	IPESCNN47	1,289.	1,550.
							
Pole without covers	Straight	2.3"	3.5"	144"	IPSN144	1,589.	1,758.
							

Ordering Information

Interpole Poles Without Outlets

1. Pattern Number
2. Finish

Order Code

Interpole Poles Without Covers

Example: **IPSCNG144, 118T**

IP	Interpole
S	Straight
C	Covers
N	No Outlets
G	Grommet in one cover
144	Height
118T	Bright White Paint

Included With

Interpole Pole
Attachment Hardware

Extension Pole
(2) Splices
(8) Screws


Options

Interpole Pole
Finish Options:


Pole and Cover
(AA) = Anodized Aluminum
(118T) = Bright White Paint

Leveller
(PS) Satin Chrome
(111) Jet Black
(111) Bright White

Interpole Poles and Covers With Outlets

description	type	w	d	h	pattern no.	AA	118T
 Poles with covers, with outlet openings one side	Straight high range	2.3"	3.5"	144"	IPSCNH144	\$2,549.	\$2,972.
	Straight low range	2.3"	3.5"	144"	IPSCNL144	2,549.	2,972.
	Straight medium range	2.3"	3.5"	144"	IPSCNM144	2,549.	2,972.

IPSCNL144 shown

 Poles with covers, with outlet openings both sides	Straight high range	2.3"	3.5"	144"	IPSCHH144	2,713.	3,140.
	Straight low range	2.3"	3.5"	144"	IPSCLL144	2,713.	3,140.
	Straight medium range	2.3"	3.5"	144"	IPSCMM144	2,713.	3,140.

IPSCLL144 shown

Ordering Information

Interpole Poles With Outlets

1. Pattern Number
2. Finish

Order Code

Interpole Poles With Outlets

Example: **IPSCHH144, AA**

IP	Interpole
S	Straight
C	Covers
HH	High Outlets Two Sides
144	Height
AA	Anodized Aluminum

Included With

Interpole Pole
Attachment Hardware

Options

Interpole Pole Finish Options:

Pole and Cover
(AA) = Anodized Aluminum
(118T) = Bright White Paint

Leveller
(PS) Satin Chrome
(111) Jet Black
(111) Bright White

Interpole Power Components

Planning Guidelines and Specifications

Interpole power system is a two-circuit, four wire system of snap together outlets, connectors between outlets and infeed from junction box in floor or ceiling.

Duplex outlets are available preconfigured for either circuit 1 or circuit 2. Duplex outlets include a bracket that lets them attach to the inside of the pole channel at any height. Poles ordered with openings have mounting positions for outlets corresponding to openings in covers.

Power connectors are available for adjacent outlets separated by 6" on center, outlets separated by 18" on center, or for outlets separated by 42" on center.

Interpole power infeeds include one end with a modular connector to the first duplex outlet, a flexible metal conduit, and a pigtail for connection to a code approved junction box supplied by the electrical contractor. The conduit length can be ordered in 6', 8', 10' or 18' lengths depending on the distance between the first outlet and the junction box in the floor or ceiling.

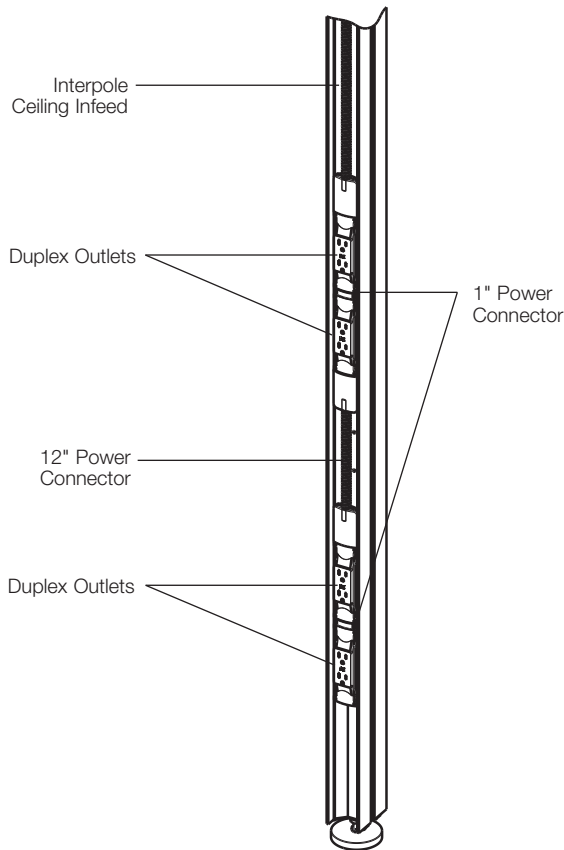
The pole levelers create a 1 1/2" space between the pole and the floor or ceiling to facilitate cable entry and exit, which can be increased by trimming the cover onsite.

Communications cables can be routed through the side of a pole that does not contain power components to provide separation. Cable capacity in each channel is maximum 3 square inch cross section. A flexible cover liner is available to protect cables from trimmed cover ends.

One to three communications cables can also be routed from the ceiling through the side of a pole that does have power infeed but should exit the pole through a hole in the cover or be terminated in a communications faceplate above the power outlets. The flexible conduit enclosing the power infeed will provide separation of high and low voltage distribution.

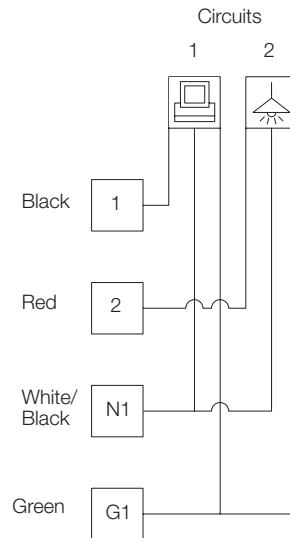
Specification Options

For duplex outlets specify black (B) or white (W).



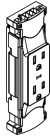

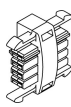

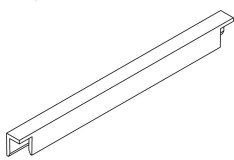

Pole without Covers with Medium Range Outlets, Connectors and Ceiling Infeed

Wiring Diagram (two-circuit, four wire)



Interpole Power Components

Power to Outlets within Interpole

description	type	w	d	h	pattern no.	B	W	list
Duplex Outlet 	Circuit 1				IPRD1()	\$145.	\$161.	
	Circuit 2				IPRD2()	145.	161.	
USB Outlet 	Circuit 1				IPRUSB()	233.	267.	
Power Connectors between Outlets 	Outlets 6" apart o.c.			1"	IPRC6			26.
	Outlets 18" apart o.c.			12"	IPRC18			113.
	Outlets 30" apart o.c.			24"	IPRC30			130.
	Outlets 42" apart o.c.			36"	IPRC42			146.
Modular Infeeds from Ceiling J-Box 	From 12' ceiling to outlets at 66"			72"	IPRCF72			203.
	From 12' ceiling to outlets at 42"			96"	IPRCF96			238.
	From 12' ceiling to outlets at 30"			120"	IPRCF120			272.
	Very high ceiling			180"	IPRCF180			362.
Edge Liner 	Set of 10 for field cut cover				IPEL			91.
Blank Outlet Filler 	For use with Interpole				IPROF			32.

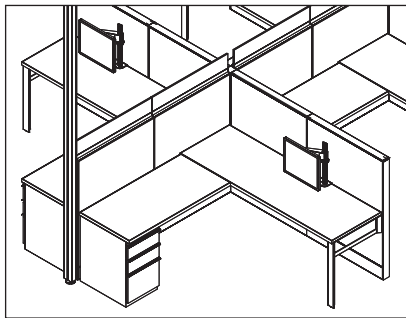
Ordering Information	Order Code	Included With	Options
Electrical Components 1. Pattern Number Duplex Outlet 1. Pattern Number 2. Finish	Electrical Components <hr/> <i>Example:</i> IPRCF120 <hr/> IP Interpole <hr/> RCF Ceiling Infeed <hr/> 120 Height <hr/> Duplex Outlet <hr/> <i>Example:</i> IPRD1W <hr/> IPRD Interpole Receptacle Duplex <hr/> 1 Circuit 1 <hr/> W White	Electrical Components Outlets Brackets Attachment Hardware	Electrical Component Duplex Outlet Finish Options: (B) Black (W) White Blank Outlet Filler Finish Options: (BLK) Black (GRY) Grey

Ceiling infeeds to Antenna Workspaces and other Knoll systems

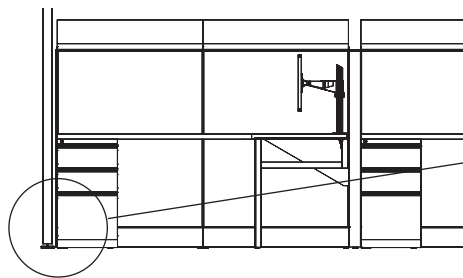
Power infeeds to open plan systems can be routed through a pole channel that has no Interpole power components or outlet openings. Pole should be positioned no more than 18" away from systems furniture.

Power infeed should be ordered in a length adequate to connect from junction box in ceiling, through Interpole pole to power harness in adjacent Antenna desk, big table or Fence, or panel system base infeed location.

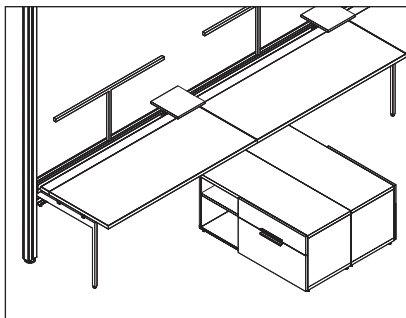
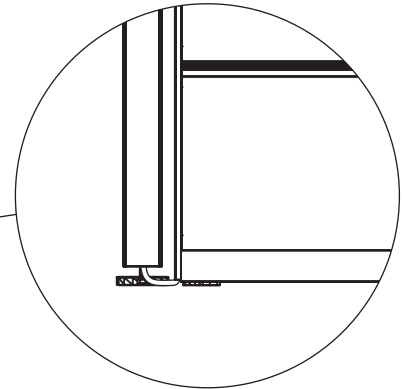
Ceiling infeeds for Antenna Workspaces are available in 2+2, eight wire, four circuit, or 3+3, ten wire, six circuit configurations, in two lengths: 12' or 20' long. Standard ceiling infeeds for Dividends Horizon, AutoStrada or Refr Profiles applications are available in various circuit configurations and lengths (see each catalog for more information).



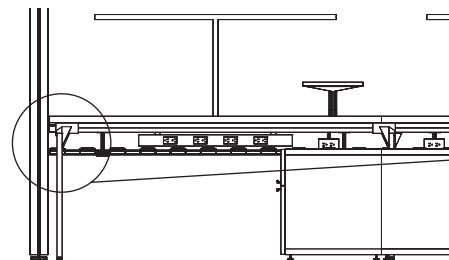
Conduit to Dividends Horizon Panels



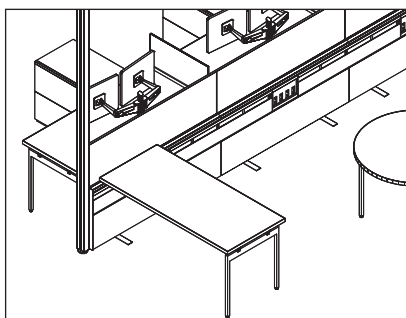
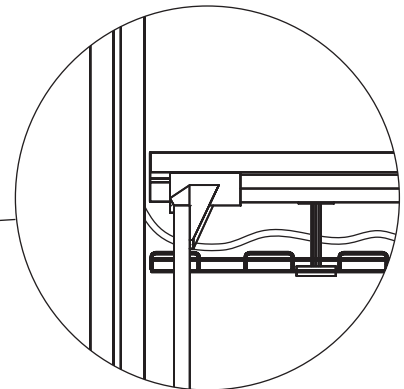
Elevation of conduit to Dividends Horizon Panels



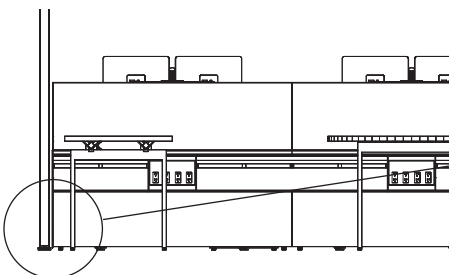
Conduit to Antenna Workspaces Single-Sided Basic Big Table



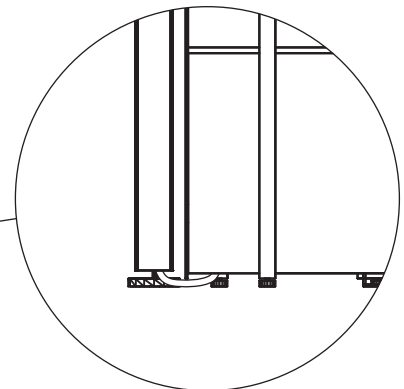
Elevation of conduit to Antenna Workspaces Single-Sided Basic Big Table



Conduit to Antenna Fence

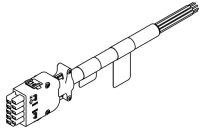
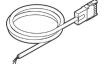



Elevation of Conduit to Antenna Fence



Interpole Power Components

Ceiling Infeeds to other Systems

description	type	length	pattern no.	list
Ceiling infeed passing through Interpole to Antenna desk, Big Table or Fence 	2+2	12'	YR1EPIC12	\$446.
	2+2	20'	YR1EPIC20	811.
	3+3	12'	YR1TPIC12	482.
	3+3	20'	YR1TPIC20	850.
Ceiling infeed passing through Interpole to Dividends Horizon Panels 	2+2	19 1/2'	DE18CI144	350.
	3+1	19 1/2'	DE1ECI144	318.
	3+3	19 1/2'	DE1TCI144	404.
Ceiling infeeds passing through Interpole to Reff Profiles panels 	2+2	13'	RR3EPVR	310.
	3+3	13'	RR3TPVR	374.
Ceiling infeeds passing through Interpole to AutoStrada Spine	2+2	145"	AR1EPIC	252.
	3+3	145"	AR1TPIC	287.

Ordering Information

Interpole Ceiling Infeed

1. Pattern Number

Order Code

Interpole Ceiling Infeed

Example: **YR1TPIC12**

YR1 Antenna Power Component

TP 10 Wire

IC Interpole Ceiling Infeed

12 Length

Included With

Interpole Ceiling Infeed

Options

Interpole Ceiling Infeed

Interpole Accessories

Interpole cable clips engage the slot on each wide side to manage a bundle of cables up to 3/4" in diameter. Cable clips are medium grey plastic, available in a kit of 50.

Ceiling tile trim kit is designed to trim the edge of a suspended ceiling tile cut to fit around the Interpole pole.

Interpole poles have two continuous vertical slots and two continuous channels that are ready to accept monitor supports. Twelve Interpole-specific Sapper mounts are available: standard monitor arm, sleeve arm, Sapper 50 monitor arm, Sapper 50 sleeve arm and Sapper XYZ. Interpole slot mounting options or channel mounting options and arms can be ordered as a complete kit or a la carte in the KnollExtra Sapper Monitor Arm collection.

PC mounting bracket is a flat plate with holes corresponding to standard 4" x 4" array of four mounting holes on a small form factor PC. PC mounting bracket is black painted finish only.

CPU Holder with adjustable straps can support electronics boxes sized 3.5" wide and 30" high or 7" wide and 23" high, or any box that two times the width plus the height equals 37" total or less.

Cantilever shelf supports remotes or small portable electronics on the pole at any height. Shelf is 12" x 12" x 3/4" thick, with laminate or veneer surface, mounted on an Antenna L-bracket to the slot on either side of a pole. Maximum weight limit for the cantilever shelf is 58 lbs.

Interpole bag hook, coat hook and KnollExtra accessory cup mount to the slot on either side of a pole.

Construction

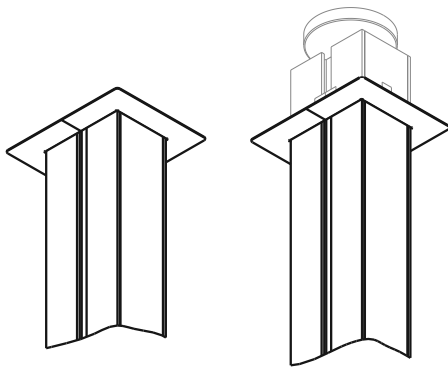
Cantilever shelf is solid MDF with laminate top and bottom and matching ABS edge or veneer on all surfaces. Ceiling tile trim kit is painted steel, in two interlocking parts, with a 1" wide frame around pole.

CPU Holder with adjustable straps includes painted black brackets and black straps with hook and loop fasteners.

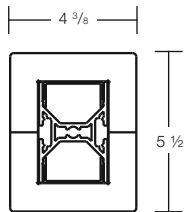
Round Platform is 3/4" thick phenolic core, with white surface and solid black edges.

Specification Options

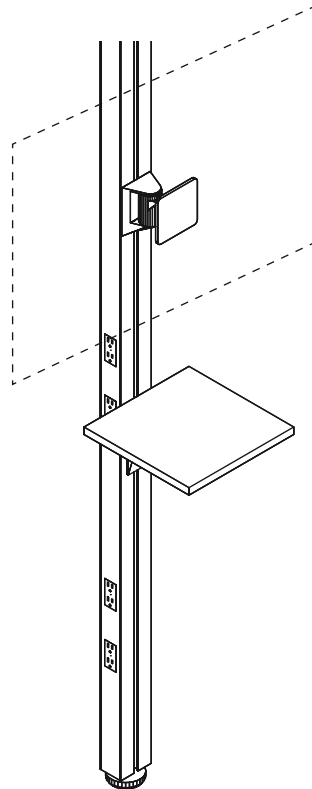
For cantilever shelf specify laminate (L) or veneer (V) in any core laminate or veneer finish. Cantilever support bracket is available in any Knoll core paint finish, Dark Red or Slate Blue. Ceiling tile trim kit is available in painted Silver (613) or Bright White (118T).



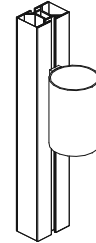
Detail of Ceiling Trim Mounted on Pole with Covers



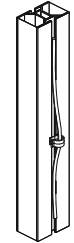
Section of Ceiling Trim and Pole with Covers



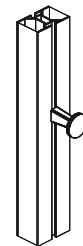
Slot Mount Sapper Sleeve Arm Mounted on Pole with Covers and Medium Range Outlets



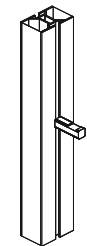
KnollExtra Accessory Cup



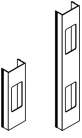



Cable Clip



Coat Hoak



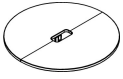
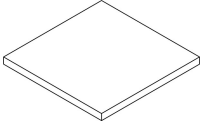
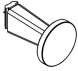
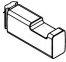
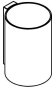

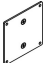
Bag Hook

description	type	w	d	h	pattern no.	AA	118T	list
Outlet Covers 	One opening	2"		6"	IPOC6	\$206.	\$214.	
	Two openings	2"		12"	IPOC12	222.	236.	
Cable Clips for Interpole 	Package of 50				YR1BCC50			279.
Internal Cable Clips 	Package of 10				IPCC10			13.
Ceiling Tile Trim 	For use with Interpole Poles with Covers				IPCT	0.	0.	76.
Extension Pole Extra Hardware Kit	For attaching additional extension pole segments				IPEX			211.

Ordering Information	Order Code	Included With	Options
Antenna Outlet Cover 1. Pattern Number 2. Finish	Antenna Outlet Covers <i>Example:</i> IPOC12, 118T IPOC Interpole Outlet Cover 12 Height 118T Bright White Paint	Antenna Outlet Covers Extension Pole Hardware Kit (2) Splices (8) Screws	Antenna Outlet Covers Finish Options: (AA) = Anodized Aluminum (118T) = Bright White Paint
Cantilever Shelf 1. Pattern Number 2. Surface Finish 3. Bracket Paint Finish	Cantilever Shelf <i>Example:</i> IPCS1212L, 118, 118T IP Interpole CS Cantilever Shelf 12 Width 12 Depth L Laminate 118 Bright White Laminate 118T Bright White Paint	Cantilever Shelf Bracket Attachment Hardware Hooks and Accessory Cup Attachment Hardware	Ceiling Tile Trim Finish Options: (613) = Silver (118T) = Bright White Paint
Hooks and Accessory Cup 1. Pattern Number 2. Paint Finish		Internal Cable Clips (10) Cable Clips (10) Screws	Cantilever Shelf Finish Options: (L) Laminate (V) Veneer Hooks and Accessory Cup Finish Options: (111) Jet Black (115) Medium Grey (118) Bright White (130) Dark Red (131) Slate Blue

Interpole Accessories

Interpole Accessories

description	type	w	d	h	pattern no.	Laminate (L)	V1 (V)	V2 (V)	V3 (V)	list
Interpole Round Platform 	Interpole Slot Mount	30"	30"	3/4"	IPPL30R					\$1,531.
Cantilever Shelf 	Square 12x12 Interpole Slot Mount	12"	12"	3/4"	IPCS1212()	169.	317.	365.	475.	
Coat Hook 	Interpole Slot Mount				IPCH					34.
Bag Hook 	Interpole Slot Mount				IPBH					32.
Accessory Cup 	KnollExtra™ Accessory Cup (see KnollExtra price list for details)				ACT-CUP-IP					84.
CPU Mounting Brackets with Adjustable Straps 	Interpole Slot Mount				IPACPU					246.
CPU Mounting Plate 	Interpole Slot Mount				IPAVESA					71.

Ordering Information

Cantilever Shelf

1. Pattern Number
2. Surface Finish
3. Bracket Paint Finish

Hooks and Accessory Cup

1. Pattern Number
2. Paint Finish

Order Code

Cantilever Shelf

Example: IPCS1212L, 118, 118T

IP	Interpole
CS	Cantilever Shelf
12	Width
12	Depth
L	Laminate
118	Bright White Laminate
118T	Bright White Paint

Included With

Cantilever Shelf
Bracket

Attachment Hardware

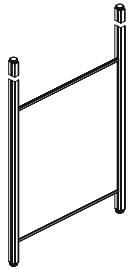
Hooks and Accessory Cup
Attachment Hardware

Options

Cantilever Shelf
Finish Options:
(L) Laminate
(V) Veneer

Hooks and Accessory Cup
Finish Options:
(111) Jet Black
(115) Medium Grey
(118) Bright White
(130) Dark Red
(131) Slate Blue

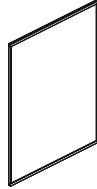
64"H Interpole Screens



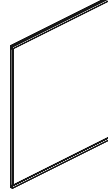
36" wide



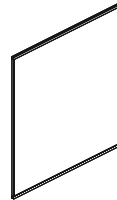
42" wide



48" wide

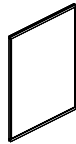
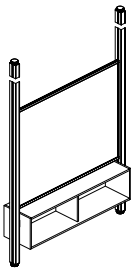


54" wide

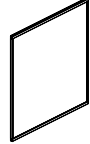


60" wide

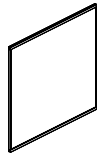
48"H Interpole Screens



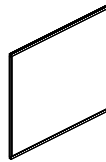
36" wide



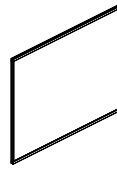
42" wide



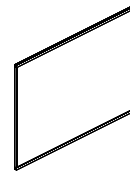
48" wide



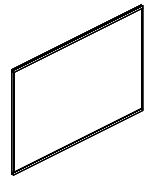
54" wide



60" wide

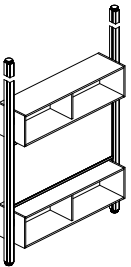


66" wide

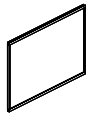


72" wide

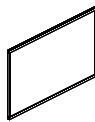
32"H Interpole Screens



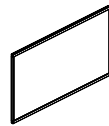
36" wide



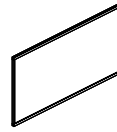
42" wide



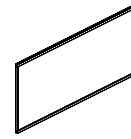
48" wide



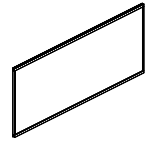
54" wide



60" wide

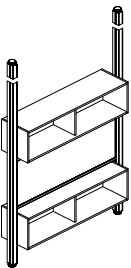


66" wide



72" wide

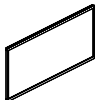
24"H Interpole Screens



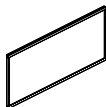
36" wide



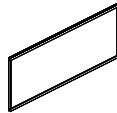
42" wide



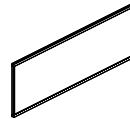
48" wide



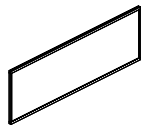
54" wide



60" wide

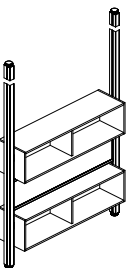


66" wide



72" wide

15"H Interpole Screens



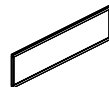
36" wide



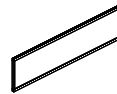
42" wide



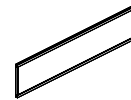
48" wide



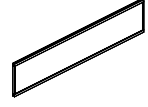
54" wide



60" wide



66" wide



72" wide

Interpole Screens

Interpole screens plan between poles to create a markerboard or tackable surface and to delineate the boundary of an activity space. Screens include a perimeter frame that mounts on each vertical side to the slot of an Interpole. Screens planned end to end can share an Interpole between them for support.

Screen surface options are:

- Markerboard laminate on both sides
- Markerboard laminate on one side with tackable fabric on the other
- Translucent laminated glass
- Opaque markerboard laminated glass.

Any standard Antenna screen fabric is standard on Antenna Interpole screens. Laminate and glass markerboard surfaces should only be used with dry-erase markers.

Screen Planning Options

Interpole screens can be mounted at any height beginning 6" above the floor.

Interpole screens 64 1/2"H are typically mounted 10" above the floor to a horizon of 74 1/2" for boundary applications, or as high as 24" above the floor for most convenient access to marker tray in markerboard applications.

Interpole screens are available in every 6" increment of width from 36" to 60" between poles, aligning perfectly with corresponding Antenna Workspaces or other "full-module" desks or storage components. Screens plan full-module width plus 3" between centerlines of Poles.

Optional marker tray is deep enough to hold dry erase markers, erasers and pushpins on both faces of any type of screen. Marker tray includes a lip at the front edges aligning with the face of the poles. Marker tray is integral to the frame and can only be positioned at the bottom.

Note that screens utilize the side slot in which Sapper Monitor arms normally mount, so to mount a monitor to the face of a pole between two screens specify a "channel mount" version Sapper arm or sleeve mount.

Construction

Screen frames and optional marker trays are extruded aluminum with a natural anodized or painted surface. Frames mount to poles with steel brackets and flexnuts.

Optional marker tray replaces the bottom frame element of screens without a marker tray.

Screen surface options are:

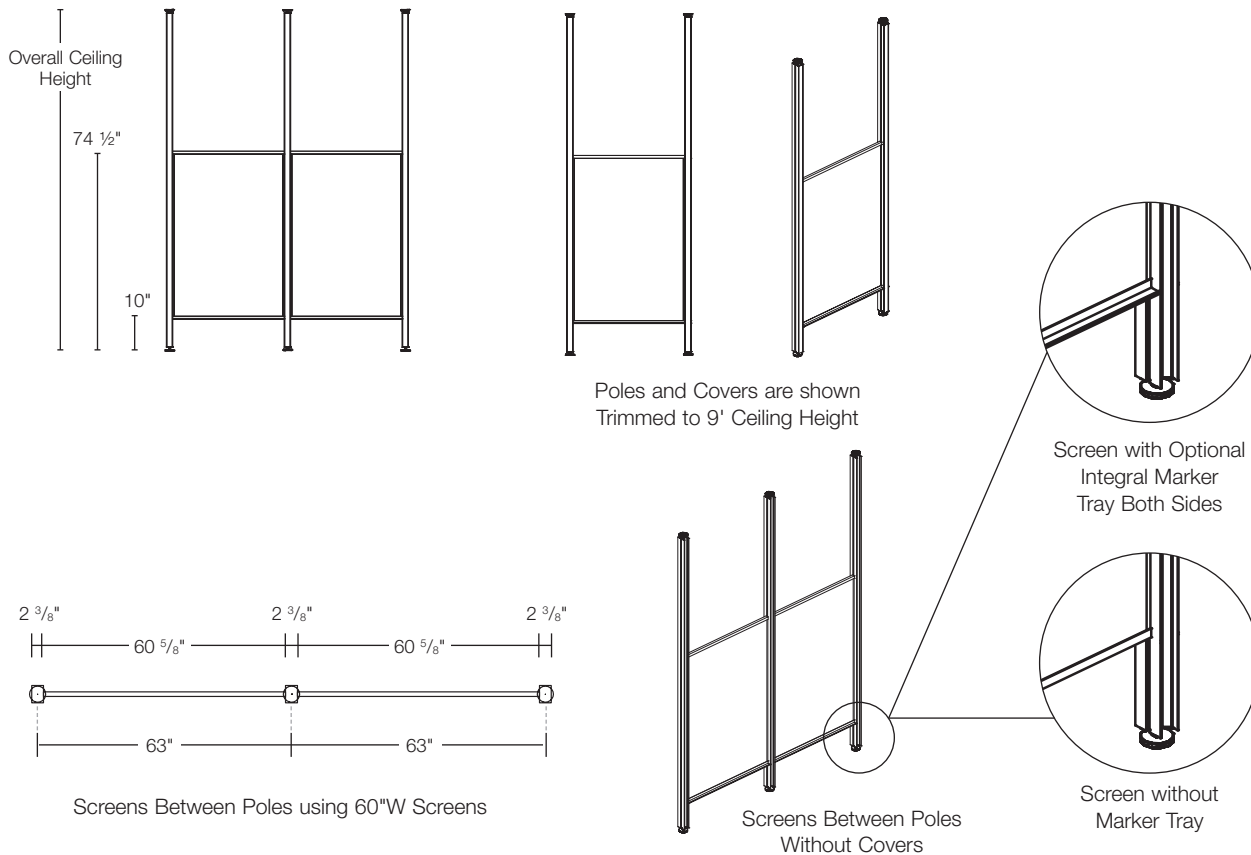
markerboard laminate on 3/4" fiberboard core, fabric on tackable 5/16" PET plus markerboard laminate on 3/8" fiberboard core with a paper backer, translucent laminated glass or opaque white laminated glass totaling 3/8" thickness and held in a frame with an ABS plastic extrusion.

Specification options

Screens are available with or without integral marker tray on both sides. Specify markerboard laminate both faces (LL), markerboard laminate one side, tackable fabric on the other (LF), opaque white laminated glass (GG) or translucent laminated glass (GT).

Specify natural anodized (AA) or Bright White (118) painted perimeter frame.

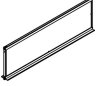
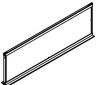
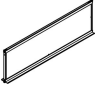
Specify Antenna screen fabric option.



Interpole Screens

Markerboard Laminate or Glass

15" High

description	w	d	h	pattern no.	list
Screens Between Poles, 15"H Laminated Opaque Glass Both Sides  (IPSC1548TGG shown)	36"	15/16"	15"	IPSC1536(N/T)GG	\$1,942.
	42"	15/16"	15"	IPSC1542(N/T)GG	2,163.
	48"	15/16"	15"	IPSC1548(N/T)GG	2,348.
	54"	15/16"	15"	IPSC1554(N/T)GG	2,606.
	60"	15/16"	15"	IPSC1560(N/T)GG	2,791.
	66"	15/16"	15"	IPSC1566(N/T)GG	2,972.
	72"	15/16"	15"	IPSC1572(N/T)GG	3,358.
Screens Between Poles, 15"H Laminated Translucent Glass Both Sides  (IPSC1548TGG shown)	36"	15/16"	15"	IPSC1536(N/T)GT	1,772.
	42"	15/16"	15"	IPSC1542(N/T)GT	1,957.
	48"	15/16"	15"	IPSC1548(N/T)GT	2,117.
	54"	15/16"	15"	IPSC1554(N/T)GT	2,343.
	60"	15/16"	15"	IPSC1560(N/T)GT	2,503.
	66"	15/16"	15"	IPSC1566(N/T)GT	2,642.
	72"	15/16"	15"	IPSC1572(N/T)GT	3,013.
Screens Between Poles, 15"H Markerboard Laminate Both Sides  (IPSC1548TGG shown)	36"	15/16"	15"	IPSC1536(N/T)LL	1,213.
	42"	15/16"	15"	IPSC1542(N/T)LL	1,246.
	48"	15/16"	15"	IPSC1548(N/T)LL	1,257.
	54"	15/16"	15"	IPSC1554(N/T)LL	1,324.
	60"	15/16"	15"	IPSC1560(N/T)LL	1,333.
	66"	15/16"	15"	IPSC1566(N/T)LL	1,339.
	72"	15/16"	15"	IPSC1572(N/T)LL	1,524.

Order Information

- Interpole Screens**
 1. Pattern Number
 2. Frame Paint Finish

Order Code

Interpole Screens	
<i>Example:</i> IPSC1548TGT, 118T	
IP	Interpole
SC	Screen
15	Height
48	Width
T	Marker Tray
GT	Translucent Glass
118T	Bright White Paint

Included With

Interpole Screens
 Attachment Hardware

Options

Interpole Screens
 (N) = No Marker Tray
 (T) = Integral Dual Marker Tray

Finish Options:
 (LL) = Markerboard Laminate both sides
 (GG) = Laminated Opaque Glass
 (GT) = Laminated Translucent Glass
 (LF) = Markerboard Laminate one side/Tackable Fabric other side

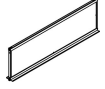
Frame Finish:
 (AA) = Anodized Aluminum
 (118T) = Bright White Paint

Interpole Screens

Markerboard/Tackable Fabric Combination

15" High

description	w	d	h	pattern no.	10	20	30	40	45
Screens Between Poles, 15"H	36"	15/16"	15"	IPSC1536(N/T)LF	\$1,241.	\$1,278.	\$1,303.	\$1,334.	\$1,366.
Markerboard Laminate One Side/ Tackable Fabric Opposite Side	42"	15/16"	15"	IPSC1542(N/T)LF	1,272.	1,310.	1,336.	1,368.	1,400.
	48"	15/16"	15"	IPSC1548(N/T)LF	1,285.	1,324.	1,349.	1,382.	1,414.
	54"	15/16"	15"	IPSC1554(N/T)LF	1,339.	1,379.	1,406.	1,440.	1,473.
	60"	15/16"	15"	IPSC1560(N/T)LF	1,349.	1,389.	1,417.	1,450.	1,484.
	66"	15/16"	15"	IPSC1566(N/T)LF	1,360.	1,401.	1,428.	1,462.	1,496.
	72"	15/16"	15"	IPSC1572(N/T)LF	1,499.	1,544.	1,574.	1,611.	1,649.



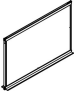
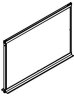
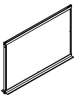
(IPSC1548TGG shown)

Order Information	Order Code	Included With	Options
Interpole Screens	Interpole Screens	Interpole Screens	Interpole Screens
1. Pattern Number	<i>Example:</i> IPSC1548TGT, 118T	Attachment Hardware	(N) = No Marker Tray (T) = Integral Dual Marker Tray
2. Fabric Finish	IP Interpole		Finish Options:
3. Frame Paint Finish	SC Screen		(LL) = Markerboard Laminate both sides (GG) = Laminated Opaque Glass (GT) = Laminated Translucent Glass (LF) = Markerboard Laminate one side/Tackable Fabric other side
	15 Height		Frame Finish:
	48 Width		(AA) = Anodized Aluminum (118T) = Bright White Paint
	T Marker Tray		
	GT Translucent Glass		
	118T Bright White Paint		

Interpole Screens

Markerboard Laminate or Glass

24" High

description	w	d	h	pattern no.	list
Screens Between Poles, 24"H Laminated Opaque Glass Both Sides  (IPSC2448TGG shown)	36"	15/16"	24 1/4"	IPSC2436(N/T)GG	\$2,601.
	42"	15/16"	24 1/4"	IPSC2442(N/T)GG	2,920.
	48"	15/16"	24 1/4"	IPSC2448(N/T)GG	3,208.
	54"	15/16"	24 1/4"	IPSC2454(N/T)GG	3,564.
	60"	15/16"	24 1/4"	IPSC2460(N/T)GG	3,847.
	66"	15/16"	24 1/4"	IPSC2466(N/T)GG	4,135.
	72"	15/16"	24 1/4"	IPSC2472(N/T)GG	4,614.
Screens Between Poles, 24"H Laminated Translucent Glass Both Sides  (IPSC2448TGG shown)	36"	15/16"	24 1/4"	IPSC2436(N/T)GT	2,318.
	42"	15/16"	24 1/4"	IPSC2442(N/T)GT	2,585.
	48"	15/16"	24 1/4"	IPSC2448(N/T)GT	2,833.
	54"	15/16"	24 1/4"	IPSC2454(N/T)GT	3,136.
	60"	15/16"	24 1/4"	IPSC2460(N/T)GT	3,378.
	66"	15/16"	24 1/4"	IPSC2466(N/T)GT	3,615.
	72"	15/16"	24 1/4"	IPSC2472(N/T)GT	4,048.
Screens Between Poles, 24"H Markerboard Laminate Both Sides  (IPSC2448TGG shown)	36"	15/16"	24 1/4"	IPSC2436(N/T)LL	1,236.
	42"	15/16"	24 1/4"	IPSC2442(N/T)LL	1,275.
	48"	15/16"	24 1/4"	IPSC2448(N/T)LL	1,288.
	54"	15/16"	24 1/4"	IPSC2454(N/T)LL	1,360.
	60"	15/16"	24 1/4"	IPSC2460(N/T)LL	1,370.
	66"	15/16"	24 1/4"	IPSC2466(N/T)LL	1,382.
	72"	15/16"	24 1/4"	IPSC2472(N/T)LL	1,571.

Order Information

- Interpole Screens**
 1. Pattern Number
 2. Frame Paint Finish

Order Code

Interpole Screens	
<i>Example:</i> IPSC2448TGT, 118T	
IP	Interpole
SC	Screen
24	Height
48	Width
T	Marker Tray
GT	Translucent Glass
118T	Bright White Paint

Included With

Interpole Screens
Attachment Hardware

Options

Interpole Screens
 (N) = No Marker Tray
 (T) = Integral Dual Marker Tray

Finish Options:
 (LL) = Markerboard Laminate both sides
 (GG) = Laminated Opaque Glass
 (GT) = Laminated Translucent Glass
 (LF) = Markerboard Laminate one side/Tackable Fabric other side

Frame Finish:
 (AA) = Anodized Aluminum
 (118T) = Bright White Paint

Interpole Screens

Markerboard/Tackable Fabric Combination

24" High

description	w	d	h	pattern no.	10	20	30	40	45
Screens Between Poles, 24"H	36"	15/16"	24 1/4"	IPSC2436(N/T)LF	\$1,300.	\$1,339.	\$1,365.	\$1,398.	\$1,430.
Markerboard Laminate One Side/ Tackable Fabric Opposite Side	42"	15/16"	24 1/4"	IPSC2442(N/T)LF	1,342.	1,382.	1,409.	1,443.	1,476.
	48"	15/16"	24 1/4"	IPSC2448(N/T)LF	1,360.	1,401.	1,428.	1,462.	1,496.
	54"	15/16"	24 1/4"	IPSC2454(N/T)LF	1,421.	1,464.	1,492.	1,529.	1,564.
	60"	15/16"	24 1/4"	IPSC2460(N/T)LF	1,447.	1,490.	1,519.	1,555.	1,592.
	66"	15/16"	24 1/4"	IPSC2466(N/T)LF	1,473.	1,517.	1,547.	1,583.	1,620.
	72"	15/16"	24 1/4"	IPSC2472(N/T)LF	1,609.	1,657.	1,689.	1,729.	1,770.



(IPSC2448TGG shown)

Order Information

- Interpole Screens**
1. Pattern Number
 2. Fabric Finish
 3. Frame Paint Finish

Order Code

Interpole Screens

Example: **IPSC2448TGT, 118T**

IP	Interpole
SC	Screen
24	Height
48	Width
T	Marker Tray
GT	Translucent Glass
118T	Bright White Paint

Included With

Interpole Screens
Attachment Hardware

Options

Interpole Screens
(N) = No Marker Tray
(T) = Integral Dual Marker Tray

Finish Options:
(LL) = Markerboard Laminate both sides
(GG) = Laminated Opaque Glass
(GT) = Laminated Translucent Glass
(LF) = Markerboard Laminate one side/Tackable Fabric other side

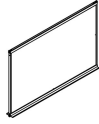
Frame Finish:
(AA) = Anodized Aluminum
(118T) = Bright White Paint

Interpole Screens

Markerboard Laminate or Glass

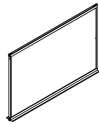
32" High

description	w	d	h	pattern no.	list
Screens Between Poles, 32"H Laminated Opaque Glass Both Sides	36"	15/16"	31 1/2"	IPSC3236(N/T)GG	\$3,116.
	42"	15/16"	31 1/2"	IPSC3242(N/T)GG	3,512.
	48"	15/16"	31 1/2"	IPSC3248(N/T)GG	3,873.
	54"	15/16"	31 1/2"	IPSC3254(N/T)GG	4,305.
	60"	15/16"	31 1/2"	IPSC3260(N/T)GG	4,676.
	66"	15/16"	31 1/2"	IPSC3266(N/T)GG	5,037.
	72"	15/16"	31 1/2"	IPSC3272(N/T)GG	5,593.



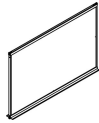
(IPSC3248TGG shown)

Screens Between Poles, 32"H Laminated Translucent Glass Both Sides	36"	15/16"	31 1/2"	IPSC3236(N/T)GT	2,740.
	42"	15/16"	31 1/2"	IPSC3242(N/T)GT	3,080.
	48"	15/16"	31 1/2"	IPSC3248(N/T)GT	3,378.
	54"	15/16"	31 1/2"	IPSC3254(N/T)GT	3,749.
	60"	15/16"	31 1/2"	IPSC3260(N/T)GT	4,058.
	66"	15/16"	31 1/2"	IPSC3266(N/T)GT	4,357.
	72"	15/16"	31 1/2"	IPSC3272(N/T)GT	4,862.



(IPSC3248TGG shown)

Screens Between Poles, 32"H Markerboard Laminate Both Sides	36"	15/16"	31 1/2"	IPSC3236(N/T)LL	1,255.
	42"	15/16"	31 1/2"	IPSC3242(N/T)LL	1,296.
	48"	15/16"	31 1/2"	IPSC3248(N/T)LL	1,313.
	54"	15/16"	31 1/2"	IPSC3254(N/T)LL	1,388.
	60"	15/16"	31 1/2"	IPSC3260(N/T)LL	1,402.
	66"	15/16"	31 1/2"	IPSC3266(N/T)LL	1,414.
	72"	15/16"	31 1/2"	IPSC3272(N/T)LL	1,607.



(IPSC3248TGG shown)

Order Information

- Interpole Screens**
 1. Pattern Number
 2. Frame Paint Finish

Order Code

Interpole Screens	
<i>Example:</i> IPSC3248TGT, 118T	
IP	Interpole
SC	Screen
32	Height
48	Width
T	Marker Tray
GT	Translucent Glass
118T	Bright White Paint

Included With

- Interpole Screens**
 Attachment Hardware

Options

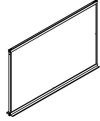
- Interpole Screens**
 (N) = No Marker Tray
 (T) = Integral Dual Marker Tray
- Finish Options:**
 (LL) = Markerboard Laminate both sides
 (GG) = Laminated Opaque Glass
 (GT) = Laminated Translucent Glass
 (LF) = Markerboard Laminate one side/Tackable Fabric other side
- Frame Finish:**
 (AA) = Anodized Aluminum
 (118T) = Bright White Paint

Interpole Screens

Markerboard/Tackable Fabric Combination

32" High

description	w	d	h	pattern no.	10	20	30	40	45
Screens Between Poles, 32"H	36"	15/16"	31 1/2"	IPSC3236(N/T)LF	\$1,351.	\$1,392.	\$1,419.	\$1,452.	\$1,486.
Markerboard Laminate One Side/ Tackable Fabric Opposite Side	42"	15/16"	31 1/2"	IPSC3242(N/T)LF	1,393.	1,435.	1,463.	1,497.	1,532.
	48"	15/16"	31 1/2"	IPSC3248(N/T)LF	1,421.	1,464.	1,492.	1,529.	1,564.
	54"	15/16"	31 1/2"	IPSC3254(N/T)LF	1,476.	1,520.	1,550.	1,586.	1,623.
	60"	15/16"	31 1/2"	IPSC3260(N/T)LF	1,494.	1,539.	1,569.	1,606.	1,643.
	66"	15/16"	31 1/2"	IPSC3266(N/T)LF	1,524.	1,570.	1,601.	1,639.	1,677.
	72"	15/16"	31 1/2"	IPSC3272(N/T)LF	1,689.	1,740.	1,774.	1,816.	1,858.



(IPSC3248TGG shown)

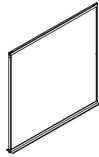
Order Information	Order Code	Included With	Options
Interpole Screens 1. Pattern Number 2. Fabric Finish 3. Frame Paint Finish	Interpole Screens <i>Example:</i> IPSC3248TGT, 118T IP Interpole SC Screen 32 Height 48 Width T Marker Tray GT Translucent Glass 118T Bright White Paint	Interpole Screens Attachment Hardware	Interpole Screens (N) = No Marker Tray (T) = Integral Dual Marker Tray Finish Options: (LL) = Markerboard Laminate both sides (GG) = Laminated Opaque Glass (GT) = Laminated Translucent Glass (LF) = Markerboard Laminate one side/Tackable Fabric other side Frame Finish: (AA) = Anodized Aluminum (118T) = Bright White Paint

Interpole Screens

Markerboard Laminate or Glass

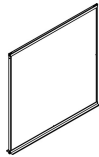
48" High

description	w	d	h	pattern no.	list
Screens Between Poles, 48"H Laminated Opaque Glass Both Sides	36"	15/16"	48"	IPSC4836(N/T)GG	\$4,419.
	42"	15/16"	48"	IPSC4842(N/T)GG	5,006.
	48"	15/16"	48"	IPSC4848(N/T)GG	5,552.
	54"	15/16"	48"	IPSC4854(N/T)GG	6,170.
	60"	15/16"	48"	IPSC4860(N/T)GG	6,726.
	66"	15/16"	48"	IPSC4866(N/T)GG	7,272.
	72"	15/16"	48"	IPSC4872(N/T)GG	8,024.



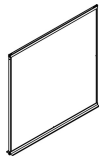
(IPSC4848TGG shown)

Screens Between Poles, 48"H Laminated Translucent Glass Both Sides	36"	15/16"	48"	IPSC4836(N/T)GT	3,832.
	42"	15/16"	48"	IPSC4842(N/T)GT	4,326.
	48"	15/16"	48"	IPSC4848(N/T)GT	4,779.
	54"	15/16"	48"	IPSC4854(N/T)GT	5,310.
	60"	15/16"	48"	IPSC4860(N/T)GT	5,768.
	66"	15/16"	48"	IPSC4866(N/T)GT	6,211.
	72"	15/16"	48"	IPSC4872(N/T)GT	6,870.



(IPSC4848TGG shown)

Screens Between Poles, 48"H Markerboard Laminate Both Sides	36"	15/16"	48"	IPSC4836(N/T)LL	1,347.
	42"	15/16"	48"	IPSC4842(N/T)LL	1,395.
	48"	15/16"	48"	IPSC4848(N/T)LL	1,419.
	54"	15/16"	48"	IPSC4854(N/T)LL	1,501.
	60"	15/16"	48"	IPSC4860(N/T)LL	1,520.
	66"	15/16"	48"	IPSC4866(N/T)LL	1,540.
	72"	15/16"	48"	IPSC4872(N/T)LL	1,741.



(IPSC4848TGG shown)

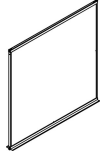
Order Information	Order Code	Included With	Options
Interpole Screens 1. Pattern Number 2. Frame Paint Finish	Interpole Screens <i>Example:</i> IPSC4848TGT, 118T IP Interpole SC Screen 48 Height 48 Width T Marker Tray GT Translucent Glass 118T Bright White Paint	Interpole Screens Attachment Hardware	Interpole Screens (N) = No Marker Tray (T) = Integral Dual Marker Tray Finish Options: (LL) = Markerboard Laminate both sides (GG) = Laminated Opaque Glass (GT) = Laminated Translucent Glass (LF) = Markerboard Laminate one side/Tackable Fabric other side Frame Finish: (AA) = Anodized Aluminum (118T) = Bright White Paint

Interpole Screens

Markerboard/Tackable Fabric Combination

48" High

description	w	d	h	pattern no.	10	20	30	40	45
Screens Between Poles, 48"H	36"	15/16"	48"	IPSC4836(N/T)LF	\$1,494.	\$1,539.	\$1,569.	\$1,606.	\$1,643.
Markerboard Laminate One Side/ Tackable Fabric Opposite Side	42"	15/16"	48"	IPSC4842(N/T)LF	1,555.	1,602.	1,634.	1,672.	1,711.
	48"	15/16"	48"	IPSC4848(N/T)LF	1,581.	1,628.	1,660.	1,700.	1,740.
	54"	15/16"	48"	IPSC4854(N/T)LF	1,656.	1,706.	1,739.	1,781.	1,822.
	60"	15/16"	48"	IPSC4860(N/T)LF	1,674.	1,724.	1,757.	1,799.	1,842.
	66"	15/16"	48"	IPSC4866(N/T)LF	1,823.	1,878.	1,915.	1,960.	2,005.
	72"	15/16"	48"	IPSC4872(N/T)LF	1,976.	2,035.	2,074.	2,124.	2,173.



(IPSC4848TGG shown)

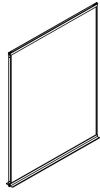
Order Information	Order Code	Included With	Options
Interpole Screens	Interpole Screens	Interpole Screens	Interpole Screens
1. Pattern Number	<i>Example:</i> IPSC4848TGT, 118T	Attachment Hardware	(N) = No Marker Tray (T) = Integral Dual Marker Tray
2. Fabric Finish	IP Interpole		Finish Options:
3. Frame Paint Finish	SC Screen		(LL) = Markerboard Laminate both sides
	48 Height		(GG) = Laminated Opaque Glass
	48 Width		(GT) = Laminated Translucent Glass
	T Marker Tray		(LF) = Markerboard Laminate one side/Tackable Fabric other side
	GT Translucent Glass		
	118T Bright White Paint		Frame Finish:
			(AA) = Anodized Aluminum
			(118T) = Bright White Paint

Interpole Screens

Markerboard Laminate or Glass

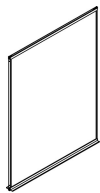
64" High

description	w	d	h	pattern no.	list
Screens Between Poles, 64"H Laminated Opaque Glass Both Sides	36"	15/16"	64.5"	IPSC6436(N/T)GG	\$4,487.
	42"	15/16"	64.5"	IPSC6442(N/T)GG	5,089.
	48"	15/16"	64.5"	IPSC6448(N/T)GG	5,654.
	54"	15/16"	64.5"	IPSC6454(N/T)GG	6,282.
	60"	15/16"	64.5"	IPSC6460(N/T)GG	6,863.



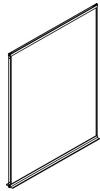
(IPSC6448TGG shown)

Screens Between Poles, 64"H Laminated Translucent Glass Both Sides	36"	15/16"	64.5"	IPSC6436(N/T)GT	3,865.
	42"	15/16"	64.5"	IPSC6442(N/T)GT	4,360.
	48"	15/16"	64.5"	IPSC6448(N/T)GT	4,830.
	54"	15/16"	64.5"	IPSC6454(N/T)GT	5,358.
	60"	15/16"	64.5"	IPSC6460(N/T)GT	5,833.



(IPSC6448TGG shown)

Screens Between Poles, 64"H Markerboard Laminate Both Sides	36"	15/16"	64.5"	IPSC6436(N/T)LL	1,409.
	42"	15/16"	64.5"	IPSC6442(N/T)LL	1,463.
	48"	15/16"	64.5"	IPSC6448(N/T)LL	1,488.
	54"	15/16"	64.5"	IPSC6454(N/T)LL	1,573.
	60"	15/16"	64.5"	IPSC6460(N/T)LL	1,600.



(IPSC6448TGG shown)

Order Information

- Interpole Screens**
 1. Pattern Number
 2. Frame Paint Finish

Order Code

Interpole Screens

Example: **IPSC6448TGT, 118T**

IP	Interpole
SC	Screen
64	Height
48	Width
T	Marker Tray
GT	Translucent Glass
118T	Bright White Paint

Included With

- Interpole Screens**
 Attachment Hardware

Options

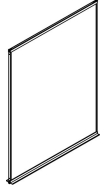
- Interpole Screens**
 (N) = No Marker Tray
 (T) = Integral Dual Marker Tray
- Finish Options:**
 (LL) = Markerboard Laminate both sides
 (GG) = Laminated Opaque Glass
 (GT) = Laminated Translucent Glass
 (LF) = Markerboard Laminate one side/Tackable Fabric other side
- Frame Finish:**
 (AA) = Anodized Aluminum
 (118T) = Bright White Paint

Interpole Screens

Markerboard/Tackable Fabric Combination

64" High

description	w	d	h	pattern no.	10	20	30	40	45
Screens Between Poles, 64"H	36"	15/16"	64.5"	IPSC6436(N/T)LF	\$1,615.	\$1,669.	\$1,697.	\$1,716.	\$1,821.
Markerboard Laminate One Side/ Tackable Fabric Opposite Side	42"	15/16"	64.5"	IPSC6442(N/T)LF	1,679.	1,729.	1,758.	1,776.	1,885.
	48"	15/16"	64.5"	IPSC6448(N/T)LF	1,731.	1,784.	1,812.	1,828.	1,937.
	54"	15/16"	64.5"	IPSC6454(N/T)LF	1,856.	1,906.	1,937.	1,953.	2,064.
	60"	15/16"	64.5"	IPSC6460(N/T)LF	1,880.	1,929.	1,958.	1,975.	2,085.

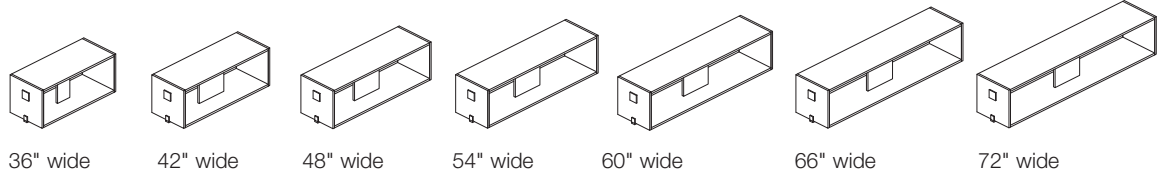
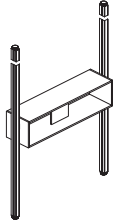


(IPSC6448TGG shown)

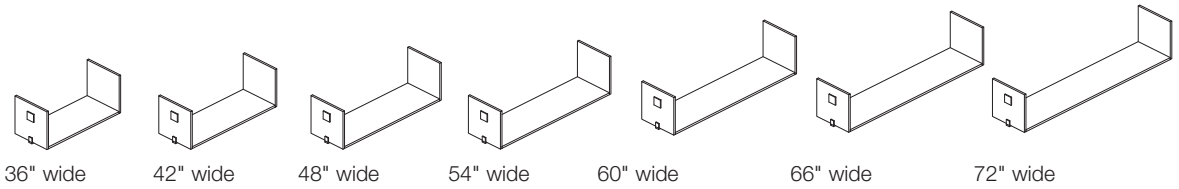
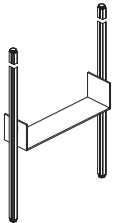
Order Information	Order Code	Included With	Options
Interpole Screens 1. Pattern Number 2. Fabric Finish 3. Frame Paint Finish	Interpole Screens <i>Example:</i> IPSC6448TGT, 118T IP Interpole SC Screen 64 Height 48 Width T Marker Tray GT Translucent Glass 118T Bright White Paint	Interpole Screens Attachment Hardware	Interpole Screens (N) = No Marker Tray (T) = Integral Dual Marker Tray Finish Options: (LL) = Markerboard Laminate both sides (GG) = Laminated Opaque Glass (GT) = Laminated Translucent Glass (LF) = Markerboard Laminate one side/Tackable Fabric other side Frame Finish: (AA) = Anodized Aluminum (118T) = Bright White Paint

Horizontal Wood Open Cabinets

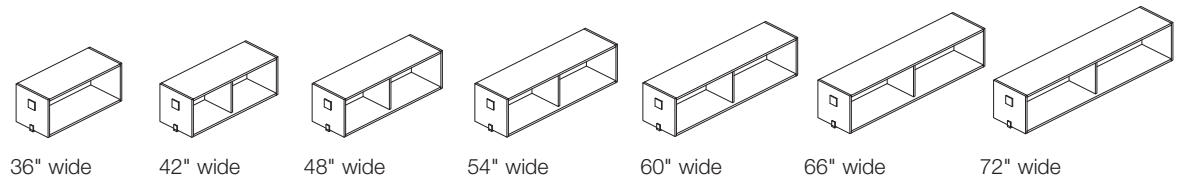
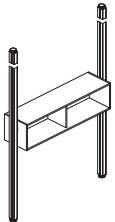
Interpole Open Shelf



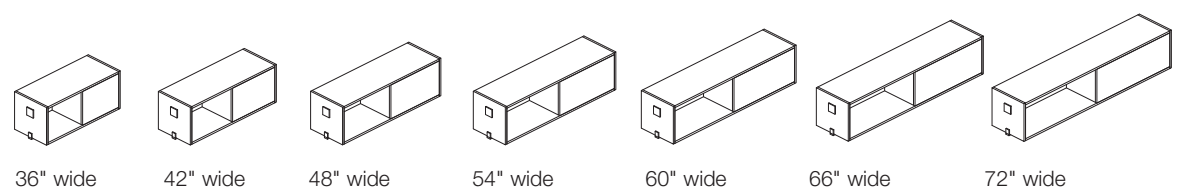
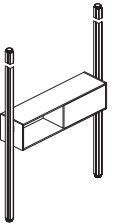
Interpole Open Shelf with Bookends



Interpole Open Shelf with Enclosed Back

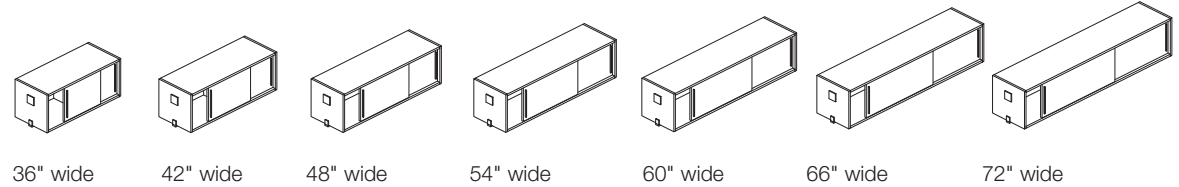
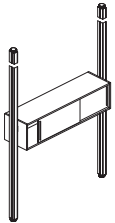


Interpole Shared Open Front with Enclosed Back

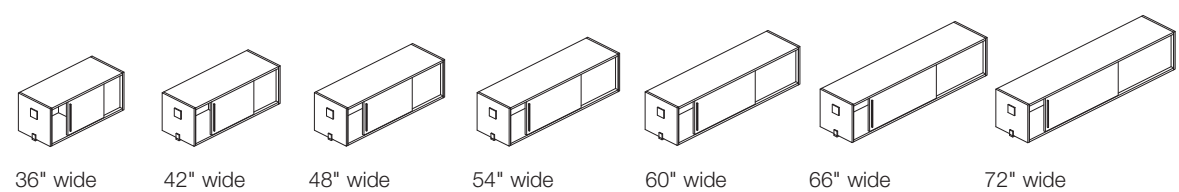
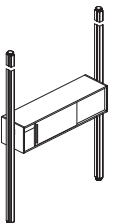


Horizontal Wood Enclosed Cabinets

Interpole Sliding Door Cabinet

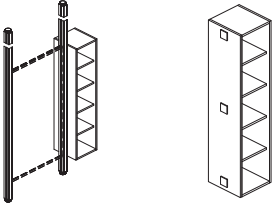


Interpole Shared Sliding Door Cabinet



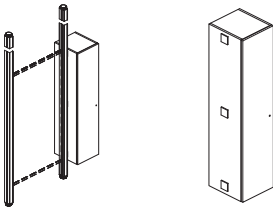
Vertical Wood Open Cabinets

Interpole Vertical Cabinet, Open with Four Shelves

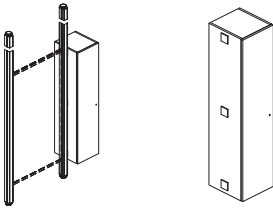


Vertical Wood Enclosed Cabinets

Interpole Vertical Cabinet, Door with Four Shelves



Interpole Vertical Cabinet, Wardrobe



Interpole Horizontal Open Cabinets

Interpole horizontal open cabinets mount at any height between two poles to provide storage that supports and defines workstations, offices or activity spaces. Open cabinets are available in four configurations: open shelf, open shelf with bookends, open shelf with enclosed back, and shared open front with enclosed back. All open horizontal cabinets are available in 36", 42", 48", 54", 60", 66" and 72" widths.

Interpole cabinets include mounting kit and hardware to secure case between two poles. Mounting kit includes two L-brackets, two $\frac{15}{16}$ " thick dove-tail spacers and inserts and a horizontal steel stiffener.

Open shelf cabinets have a center partition parallel to the open front and back that provides structural support and serves to filter sightlines through the cabinet. Cabinets 36"W have a 6" wide center panel, cabinets 42" and wider have a 12" wide center panel. Support panel and all interior surfaces can be specified in a different laminate than exterior surfaces.

Open shelf with bookends includes a bottom shelf and two vertical side gables. The exterior surfaces include the inside of gables and top of shelf. Exterior surfaces can be specified in any Knoll core laminate or veneer.

Open shelf with enclosed back includes a full back, recessed $\frac{1}{2}$ " for option fabric insert, specified separately. Both sides of recessed backs are considered interior surfaces, if specifying two-tone laminate finishes.

Shared open front with enclosed back cabinets include flush backs. The exterior face of flush backs will match the exterior core laminate finish.

All Interpole horizontal cabinets are 15"H x 15 $\frac{5}{8}$ "D, with 13 $\frac{1}{2}$ " clear interior height for binder storage. Cabinet sides, top and bottom are $\frac{3}{4}$ " thick, in laminate or veneer, or a combination of laminates.

Interpole horizontal cabinets plan with a 1 $\frac{1}{2}$ " high gap between the top shelf of the lower cabinet and the bottom shelf of the cabinet above. The $\frac{1}{2}$ " high horizontal stiffener on the underside of a cabinet is located within the 1 $\frac{1}{2}$ " high spacing between cabinets.

Construction

Case is composed of $\frac{3}{4}$ " thick wood panels, with discreet glue-and-dowel connections.

Case mounts between poles with two cast aluminum spacers and inserts, two cast aluminum L-brackets, one horizontal stiffener rail and flex nuts. Horizontal shelf stiffener is a bent steel tube.

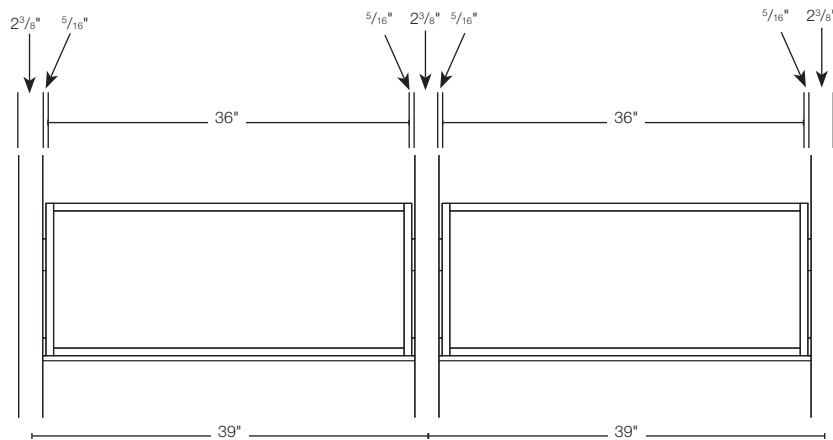
Specification Options

Specify laminate (L), "mixed" two-tone laminate (L) or veneer (V) case.

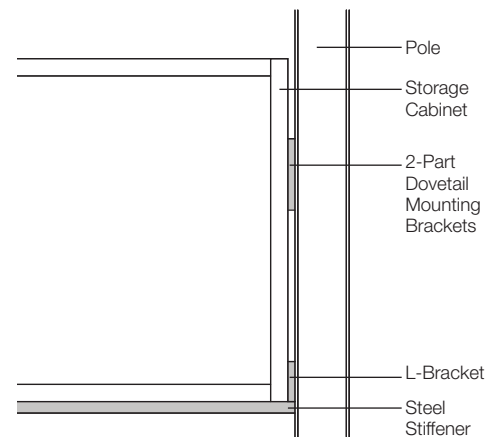
Case finish exterior is available in any Knoll core laminate or veneer. When the case exterior is laminate, case interior and inset back are available in any Knoll Core or Accent laminate. When an Accent laminate is specified, the edgeband will match the exterior core laminate finish.

Mounting brackets are available in any Knoll Core paint finish, Dark Red or Slate Blue.

Specify optional fabric inserts separately.



Interpole Mounted Open Shelf with Enclosed Back Front Elevation



Detail of Interpole Horizontal Cabinet Mounting Hardware

Interpole Horizontal Enclosed Cabinets

Interpole horizontal enclosed wood cabinets mount at any level between two poles to provide storage that supports and defines workstations, offices or activity spaces. Enclosed cabinets are available in two configurations: sliding door cabinet case with overlapping sliding doors or shared sliding door cabinets. All enclosed horizontal cabinets are available in 36", 42", 48", 54", 60", 66" and 72" widths.

Interpole cabinets include mounting kit and hardware to secure case between two poles. Mounting kit includes two L-brackets, two $\frac{15}{16}$ " thick dove-tail spacers and inserts, and a horizontal steel stiffener.

Sliding door cabinets with overlapping sliding doors have two half-width doors, in laminate or veneer surface and a full back, recessed $\frac{1}{2}$ " for optional fabric insert, specified separately. Sliding door cabinets include a center partition for structure.

Shared sliding door cabinets have a sliding door on each face overlapping the recessed back of the cabinet facing the other side. Cabinets can be specified with both openings on the left or both on the right side.

Enclosed Interpole cabinets can be specified in all laminate or veneer or mixed surface laminate: all interior surfaces of laminate cabinet can be specified in a contrasting core or accent laminate. Partition and inset back are considered interior surfaces on both faces.

All Interpole horizontal cabinets are 15"H x 15 $\frac{5}{8}$ "D, with 13 $\frac{1}{2}$ " clear interior height for binder storage. Cabinet sides, top and bottom are $\frac{3}{4}$ " thick, in laminate or veneer, or a combination of laminates.

Interpole horizontal cabinets plan with a 1 $\frac{1}{2}$ " high gap between the top shelf of the lower cabinet and the bottom shelf of the cabinet above. The $\frac{1}{2}$ " high horizontal stiffener on the underside of a cabinet is located within the 1 $\frac{1}{2}$ " high spacing between cabinets.

Construction

Case is composed of $\frac{3}{4}$ " thick wood panels, with discreet glue-and-dowel connections.

Case mounts between poles with two cast aluminum spacers and inserts, two cast aluminum L-brackets, one horizontal stiffener rail and flex nuts. Horizontal shelf stiffener is a bent steel tube.

Specification Options

Specify laminate (L), "mixed" two-tone laminate (L) or veneer (V) case.

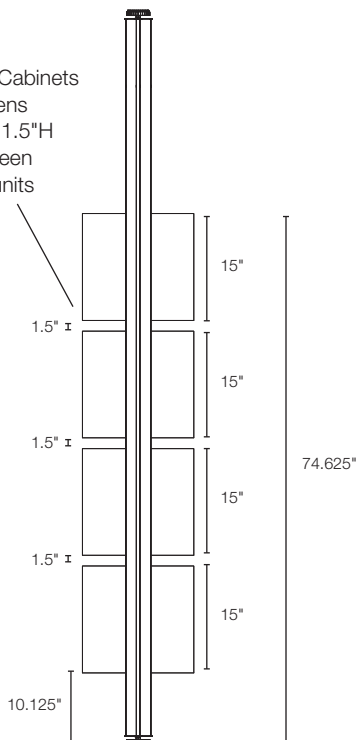
Case finish exterior is available in any Knoll core laminate or veneer. When the case exterior is laminate, case interior and inset back are available in any Knoll Core or Accent laminate. When an Accent laminate is specified, the edgeband will match the exterior core laminate finish.

Door sets are specified separately to enable any combination of wood or laminate case and doors. Specify door front sets in any Knoll Core laminate (L) or veneer (V).

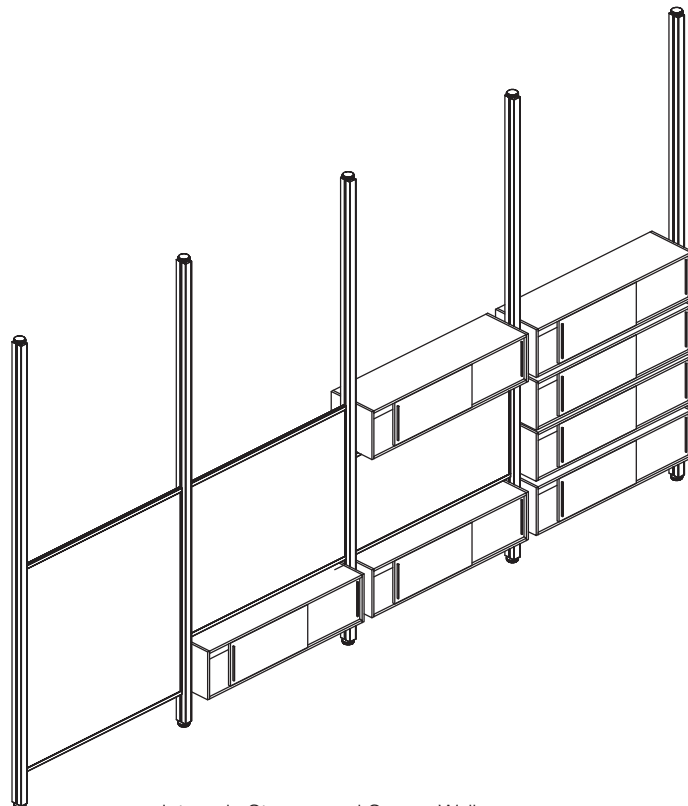
Pulls and mounting brackets are available in any Knoll Core paint finish, Dark Red or Slate Blue.

Specify optional fabric inserts separately.

Interpole Cabinets and Screens plan with 1.5"H gap between stacked units

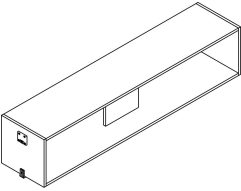
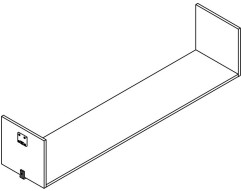
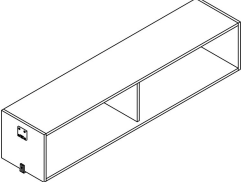


Interpole Storage Wall End Elevation



Interpole Storage and Screen Wall

Interpole Horizontal Wood Storage For Mounting Between Two Poles Open Cabinets

description	w	d	h	pattern no.	All Same Laminate (Core Lam.) (L)	Different Laminate Case/Interior (Core Lam.) (L)	Different Laminate Case/Interior (Accent Lam.) (L)	V1 (V)	V2 (V)	V3 (V)
 Interpole Open Shelf	36"	15 ⁵ / ₈ "	15"	IPSOS3615()	\$1,593.	\$1,737.	\$2,253.	\$2,253.	\$2,568.	\$3,169.
	42"	15 ⁵ / ₈ "	15"	IPSOS4215()	1,621.	1,800.	2,354.	2,354.	2,683.	3,314.
	48"	15 ⁵ / ₈ "	15"	IPSOS4815()	1,735.	1,889.	2,480.	2,480.	2,824.	3,484.
	54"	15 ⁵ / ₈ "	15"	IPSOS5415()	1,814.	1,973.	2,541.	2,541.	2,889.	3,628.
	60"	15 ⁵ / ₈ "	15"	IPSOS6015()	1,892.	2,057.	2,602.	2,602.	2,955.	3,771.
	66"	15 ⁵ / ₈ "	15"	IPSOS6615()	1,951.	2,122.	2,749.	2,749.	3,126.	3,992.
	72"	15 ⁵ / ₈ "	15"	IPSOS7215()	2,011.	2,188.	2,897.	2,897.	3,296.	4,213.
 Interpole Open Shelf with Bookends	36"	15 ⁵ / ₈ "	15"	IPSOB3615()	1,075.	n/a	n/a	1,560.	1,793.	2,106.
	42"	15 ⁵ / ₈ "	15"	IPSOB4215()	1,089.	n/a	n/a	1,576.	1,813.	2,127.
	48"	15 ⁵ / ₈ "	15"	IPSOB4815()	1,165.	n/a	n/a	1,656.	1,904.	2,236.
	54"	15 ⁵ / ₈ "	15"	IPSOB5415()	1,323.	n/a	n/a	1,818.	2,092.	2,454.
	60"	15 ⁵ / ₈ "	15"	IPSOB6015()	1,643.	n/a	n/a	2,153.	2,476.	2,906.
	66"	15 ⁵ / ₈ "	15"	IPSOB6615()	1,793.	n/a	n/a	2,308.	2,654.	3,116.
	72"	15 ⁵ / ₈ "	15"	IPSOB7215()	1,848.	n/a	n/a	2,323.	2,671.	3,135.
 Interpole Open Shelf with Enclosed Back	36"	15 ⁵ / ₈ "	15"	IPSOE3615()	1,637.	1,795.	2,270.	2,323.	2,586.	3,220.
	42"	15 ⁵ / ₈ "	15"	IPSOE4215()	1,689.	1,848.	2,375.	2,429.	2,745.	3,326.
	48"	15 ⁵ / ₈ "	15"	IPSOE4815()	1,742.	1,900.	2,481.	2,534.	2,914.	3,537.
	54"	15 ⁵ / ₈ "	15"	IPSOE5415()	1,900.	2,006.	2,640.	2,745.	3,167.	3,801.
	60"	15 ⁵ / ₈ "	15"	IPSOE6015()	2,112.	2,323.	2,956.	3,115.	3,590.	4,276.
	66"	15 ⁵ / ₈ "	15"	IPSOE6615()	2,164.	2,375.	3,062.	3,167.	3,642.	4,382.
	72"	15 ⁵ / ₈ "	15"	IPSOE7215()	2,218.	2,429.	3,167.	3,220.	3,696.	4,434.

Ordering Information

- Interpole Open Shelf**
1. Pattern Number
 2. Exterior Case Finish
 3. Interior Case Finish (Laminate only)
 4. Bracket Paint Finish

Order Code

Interpole Open Shelf

Example: **IPSOS6015L, 118, 118, 118T**

IPS	Interpole Storage
OS	Open Shelf
60	Width
15	Depth
L	Laminate
118	Bright White Laminate
118	Bright White Laminate
118T	Bright White Paint

Included With

Interpole Open Shelf

Mounting Brackets
Hardware

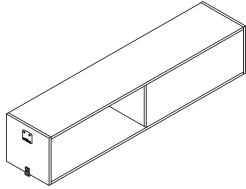
Options

Interpole Open Shelf

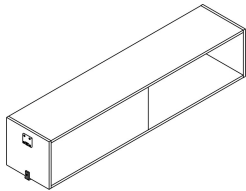
Case Finish Options:
(L) = All the same or different laminates for the exterior and interior case
(V) = All the same veneer for the exterior and interior case

Interpole Horizontal Wood Storage For Mounting Between Two Poles Shared Open Cabinets

description	w	d	h	pattern no.	All Same	Different	Different	V1	V2	V3
					Laminate (Core Lam) (L)	Laminate Case/Interior (Core Lam.) (L)	Laminate Case/Interior (Accent Lam.) (L)			
Interpole Shared Open Front with Enclosed Back, Open on Left	36"	15 5/8"	15"	IPSSOEL3615()	\$1,637.	\$1,795.	\$2,270.	\$2,534.	\$2,851.	\$3,483.
	42"	15 5/8"	15"	IPSSOEL4215()	1,689.	1,848.	2,375.	2,586.	2,904.	3,642.
	48"	15 5/8"	15"	IPSSOEL4815()	1,742.	1,900.	2,481.	2,640.	3,009.	3,801.
	54"	15 5/8"	15"	IPSSOEL5415()	1,900.	2,059.	2,640.	2,797.	3,167.	4,064.
	60"	15 5/8"	15"	IPSSOEL6015()	2,112.	2,375.	2,956.	3,167.	3,696.	4,487.
	66"	15 5/8"	15"	IPSSOEL6615()	2,164.	2,534.	3,062.	3,273.	3,748.	4,645.
	72"	15 5/8"	15"	IPSSOEL7215()	2,218.	2,586.	3,167.	3,326.	3,801.	4,751.



Interpole Shared Open Front with Enclosed Back, Open on Right	36"	15 5/8"	15"	IPSSOER3615()	1,637.	1,795.	2,270.	2,534.	2,851.	3,484.
	42"	15 5/8"	15"	IPSSOER4215()	1,689.	1,848.	2,375.	2,586.	2,904.	3,642.
	48"	15 5/8"	15"	IPSSOER4815()	1,742.	1,900.	2,481.	2,640.	3,009.	3,801.
	54"	15 5/8"	15"	IPSSOER5415()	1,900.	2,059.	2,640.	2,797.	3,167.	4,064.
	60"	15 5/8"	15"	IPSSOER6015()	2,112.	2,375.	2,956.	3,167.	3,696.	4,487.
	66"	15 5/8"	15"	IPSSOER6615()	2,164.	2,534.	3,062.	3,273.	3,748.	4,645.
	66"	15 5/8"	15"	IPSSOER7215()	2,218.	2,586.	3,167.	3,326.	3,801.	4,751.



Ordering Information

Interpole Shared Open Shelf

1. Pattern Number
2. Exterior Case Finish
3. Interior Case Finish (Laminate only)
4. Bracket Paint Finish

Order Code

Interpole Open Shelf

Example: **IPSSOEL6015L, 118, 118, 118T**

IPS	Interpole Storage
SOEL	Shared Open Shelf, Open Left
60	Width
15	Depth
L	Laminate
118	Bright White Laminate
118	Bright White Laminate
118T	Bright White Paint

Included With

Interpole Shared Open Shelf

Mounting Brackets
Hardware

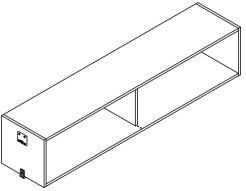
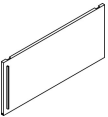
Options

Interpole Shared Open Shelf

Case Finish Options:

(L) = All the same or different laminates for the exterior and interior case
(V) = All the same veneer for the exterior and interior case

Interpole Horizontal Wood Storage For Mounting Between Two Poles Sliding Door Cabinets

description	w	d	h	pattern no.	All Same	Different	Different	V1	V2	V3
					Laminate	Laminate	Laminate			
					(Core Lam)	(Core Lam.)	(Accent Lam.)	(V)	(V)	(V)
					(L)	(L)	(L)			
Interpole Sliding Door Cabinet Case 	36"	15 3/8"	15"	IPSSD3615()	\$1,880.	\$2,053.	\$2,653.	\$2,653.	\$3,027.	\$3,744.
	42"	15 3/8"	15"	IPSSD4215()	1,937.	2,115.	2,752.	2,752.	3,142.	3,887.
	48"	15 3/8"	15"	IPSSD4815()	2,021.	2,204.	2,878.	2,878.	3,283.	4,058.
	54"	15 3/8"	15"	IPSSD5415()	2,104.	2,293.	2,976.	2,976.	3,355.	4,223.
	60"	15 3/8"	15"	IPSSD6015()	2,188.	2,429.	3,220.	3,220.	3,696.	4,540.
	66"	15 3/8"	15"	IPSSD6615()	2,246.	2,586.	3,326.	3,326.	3,801.	4,698.
	72"	15 3/8"	15"	IPSSD7215()	2,306.	2,640.	3,431.	3,431.	3,853.	4,804.
Sliding Door Set for Interpole Sliding Door Cabinet Case 	36"	3/4"	15"	IPSSDK36()	580.	n/a	n/a	909.	1,045.	1,307.
	42"	3/4"	15"	IPSSDK42()	631.	n/a	n/a	937.	1,079.	1,348.
	48"	3/4"	15"	IPSSDK48()	683.	n/a	n/a	957.	1,099.	1,470.
	54"	3/4"	15"	IPSSDK54()	720.	n/a	n/a	1,008.	1,162.	1,494.
	60"	3/4"	15"	IPSSDK60()	739.	n/a	n/a	1,033.	1,193.	1,554.
	66"	3/4"	15"	IPSSDK66()	778.	n/a	n/a	1,094.	1,257.	1,638.
	72"	3/4"	15"	IPSSDK72()	798.	n/a	n/a	1,124.	1,289.	1,679.

Ordering Information

Interpole Shared Open Shelf

1. Pattern Number
2. Exterior Case Finish
3. Interior Case Finish (Laminate only)
4. Bracket Paint Finish

Sliding Doors

1. Pattern Number
2. Door Finish
3. Pull Finish

Order Code

Interpole Shared Open Shelf

Example: **IPSSOEL6015L, 118, 118, 118T**

IPS	Interpole Storage
SOEL	Shared Open Shelf, Open Left
60	Width
15	Depth
L	Laminate
118	Bright White Laminate
118	Bright White Laminate
118T	Bright White Paint

Sliding Doors

Example: **IPSSDK60L 118, 118T**

IPS	Interpole Storage
SDK	Sliding Door Kit
60	Width
L	Laminate
118	Bright White Laminate
118T	Bright White Paint

Included With

Interpole Shared Open Shelf

Mounting Brackets
Hardware

Sliding Doors

Hardware

Options

Interpole Shared Open Shelf

Case Finish Options:

(L) = All the same or different laminates for the exterior and interior case
(V) = All the same veneer for the exterior and interior case

Sliding Doors

Door Finish Option:

(L) = Laminate
(V) = Veneer

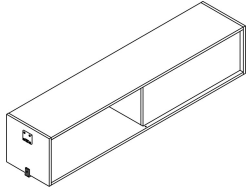
Door pulls are available in Knoll core paints, Dark Red (130) and Slate Blue (131) paint finishes.

Interpole Horizontal Wood Storage

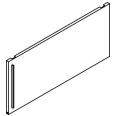
For Mounting Between Two Poles

Shared Sliding Door Cabinets with Opening on Left

description	w	d	h	pattern no.	All Same	Different	Different	V1	V2	V3
					Laminate (Core Lam.) (L)	Laminate Case/ Interior (Core Lam.) (L)	Laminate Case/Interior (Accent Lam.) (L)			
Interpole Shared Sliding Door Cabinet Case, Opening on Left	36"	15 5/8"	15"	IPSSSDL3615()	\$1,813.	\$1,978.	\$2,876.	\$2,876.	\$3,284.	\$4,222.
	42"	15 5/8"	15"	IPSSSDL4215()	1,873.	2,042.	2,937.	2,937.	3,352.	4,310.
	48"	15 5/8"	15"	IPSSSDL4815()	1,957.	2,069.	3,022.	3,022.	3,446.	4,426.
	54"	15 5/8"	15"	IPSSSDL5415()	2,221.	2,390.	3,225.	3,225.	3,523.	4,716.
	60"	15 5/8"	15"	IPSSSDL6015()	2,483.	2,708.	3,428.	3,428.	3,908.	5,007.
	66"	15 5/8"	15"	IPSSSDL6615()	2,542.	2,773.	3,546.	3,546.	4,044.	5,184.
	72"	15 5/8"	15"	IPSSSDL7215()	2,602.	2,837.	3,665.	3,665.	4,179.	5,360.



description	w	d	h	pattern no.				V1	V2	V3
	42"	3/4"	15"	IPSSDKL42()	680.	n/a	n/a	945.	1,088.	1,413.
	48"	3/4"	15"	IPSSDKL48()	710.	n/a	n/a	975.	1,122.	1,458.
	54"	3/4"	15"	IPSSDKL54()	720.	n/a	n/a	1,008.	1,162.	1,494.
	60"	3/4"	15"	IPSSDKL60()	740.	n/a	n/a	1,033.	1,193.	1,554.
	66"	3/4"	15"	IPSSDKL66()	778.	n/a	n/a	1,094.	1,257.	1,638.
	72"	3/4"	15"	IPSSDKL72()	798.	n/a	n/a	1,124.	1,289.	1,679.



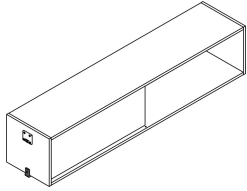
Ordering Information	Order Code	Included With	Options
Interpole Shared Open Shelf	Interpole Shared Open Shelf	Interpole Shared Open Shelf	Interpole Shared Open Shelf
1. Pattern Number	<i>Example:</i> IPSSOEL6015L, 118, 118, 118T	Mounting Brackets	Case Finish Options:
2. Exterior Case Finish	IPS Interpole Storage	Hardware	(L) = All the same or different laminates for the exterior and interior case
3. Interior Case Finish (Laminate only)	SOEL Shared Open Shelf, Open Left	Sliding Doors	(V) = All the same veneer for the exterior and interior case
4. Bracket Paint Finish	60 Width	Hardware	Sliding Doors
Sliding Doors	15 Depth		Door Finish Option:
1. Pattern Number	L Laminate		(L) = Laminate
2. Door Finish	118 Bright White Laminate		(V) = Veneer
3. Pull Finish	118 Bright White Laminate		Door pulls are available in Knoll core paints, Dark Red (130) and Slate Blue (131) paint finishes.
	118T Bright White Paint		
	Sliding Doors		
	<i>Example:</i> IPSSDK60L 118, 118T		
	IPS Interpole Storage		
	SDK Sliding Door Kit		
	60 Width		
	L Laminate		
	118 Bright White Laminate		
	118T Bright White Paint		

Interpole Horizontal Wood Storage

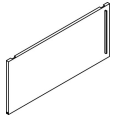
For Mounting Between Two Poles

Shared Sliding Door Cabinets with Opening on Right

description	w	d	h	pattern no.	All Same	Different	Different	V1	V2	V3
					Laminate (Core Lam.) (L)	Laminate Case/ Interior (Core Lam.) (L)	Laminate Case/Interior (Accent Lam.) (L)			
Interpole Shared Sliding Door Cabinet Case, Opening on Right	36"	15 5/8"	15"	IPSSDR3615()	\$1,813.	\$1,978.	\$2,876.	\$2,876.	\$3,284.	\$4,222.
	42"	15 5/8"	15"	IPSSDR4215()	1,873.	2,042.	2,937.	2,937.	3,352.	4,310.
	48"	15 5/8"	15"	IPSSDR4815()	1,957.	2,069.	3,022.	3,022.	3,446.	4,426.
	54"	15 5/8"	15"	IPSSDR5415()	2,221.	2,390.	3,225.	3,225.	3,523.	4,716.
	60"	15 5/8"	15"	IPSSDR6015()	2,483.	2,708.	3,428.	3,428.	3,908.	5,007.
	66"	15 5/8"	15"	IPSSDR6615()	2,542.	2,773.	3,546.	3,546.	4,044.	5,184.
	72"	15 5/8"	15"	IPSSDR7215()	2,602.	2,837.	3,665.	3,665.	4,179.	5,360.



description	w	d	h	pattern no.				V1	V2	V3
Sliding Doors Kit for Interpole Mounted Shared Sliding Door Cabinet Case, Opening on Right	36"	3/4"	15"	IPSSDKR36()	650.	n/a	n/a	916.	1,054.	1,370.
	42"	3/4"	15"	IPSSDKR42()	680.	n/a	n/a	945.	1,088.	1,413.
	48"	3/4"	15"	IPSSDKR48()	710.	n/a	n/a	975.	1,122.	1,458.
	54"	3/4"	15"	IPSSDKR54()	720.	n/a	n/a	1,008.	1,162.	1,494.
	60"	3/4"	15"	IPSSDKR60()	740.	n/a	n/a	1,033.	1,193.	1,554.
	66"	3/4"	15"	IPSSDKR66()	778.	n/a	n/a	1,094.	1,257.	1,638.
	72"	3/4"	15"	IPSSDKR72()	798.	n/a	n/a	1,124.	1,289.	1,679.



Ordering Information	Order Code	Included With	Options
Interpole Shared Open Shelf 1. Pattern Number 2. Exterior Case Finish 3. Interior Case Finish (Laminate only) 4. Bracket Paint Finish Sliding Doors 1. Pattern Number 2. Door Finish 3. Pull Finish	Interpole Shared Open Shelf <i>Example:</i> IPSSOEL6015L, 118, 118, 118T IPS Interpole Storage SOEL Shared Open Shelf, Open Left 60 Width 15 Depth L Laminate 118 Bright White Laminate 118 Bright White Laminate 118T Bright White Paint Sliding Doors <i>Example:</i> IPSSDK60L 118, 118T IPS Interpole Storage SDK Sliding Door Kit 60 Width L Laminate 118 Bright White Laminate 118T Bright White Paint	Interpole Shared Open Shelf Mounting Brackets Hardware Sliding Doors Hardware	Interpole Shared Open Shelf Case Finish Options: (L) = All the same or different laminates for the exterior and interior case (V) = All the same veneer for the exterior and interior case Sliding Doors Door Finish Option: (L) = Laminate (V) = Veneer Door pulls are available in Knoll core paints, Dark Red (130) and Slate Blue (131) paint finishes.

Interpole Horizontal Wood Storage

Fabric Inserts

Planning Guidelines and Specifications

Fabric Inserts for Interpole Cabinets

Fabric back insert is tackable fabric panel, nominal 1/2" thick, that fits in the recess behind the back of Interpole horizontal cabinets. Fabric back inserts are 1/2" less wide and 1/2" less high than cabinet to fit between sides, top and bottom.

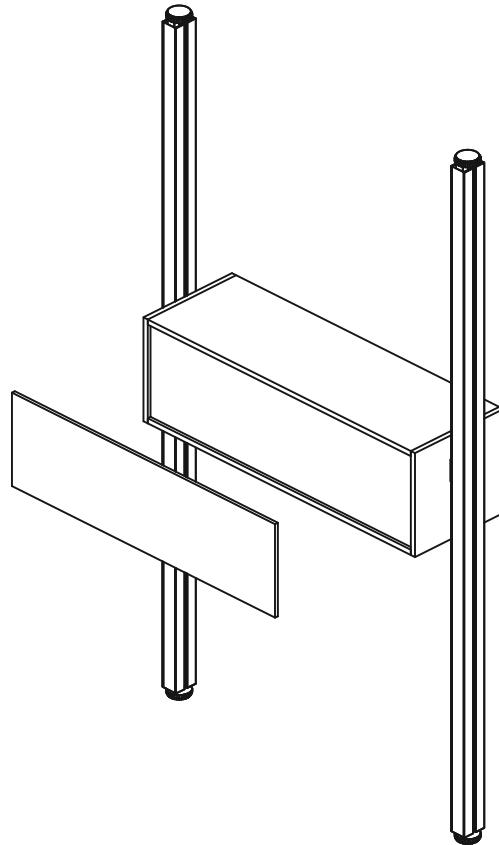
Fabric back insert is not applicable on cabinets without a recessed back.

Construction

Fabric back insert is 1/2" tackable tile with fabric applied on exterior surface and edges. Fabric inserts are installed using double-sided adhesive tape, which is included. Two fabric inserts are included for cabinets 60" and wider applications.

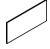
Specification Options

Fabric inserts may be specified in any Antenna approved textile. For Customers Own Material (COM) applications, see yardage chart in front of Price List.



Fabric Inserts are Installed in the Back of Interpole Horizontal Cabinets

Interpole Horizontal Wood Storage
Fabric Inserts
For Interpole Mounted Cabinets

description	w	d	h	pattern no.	grade				
					10	20	30	40	45
Fabric Inserts for Interpole Horizontal Cabinets	34 1/2"	1/2"	13 1/2"	IPSI1536F	\$290.	\$323.	\$361.	\$365.	\$389.
	40 1/2"	1/2"	13 1/2"	IPSI1542F	301.	328.	365.	370.	394.
	46 1/2"	1/2"	13 1/2"	IPSI1548F	301.	328.	365.	370.	394.
	52 1/2"	1/2"	13 1/2"	IPSI1554F	306.	334.	373.	375.	402.
	58 1/2"	1/2"	13 1/2"	IPSI1560F	522.	573.	578.	632.	662.
	64 1/2"	1/2"	13 1/2"	IPSI1566F	528.	575.	636.	645.	668.
	70 1/2"	1/2"	13 1/2"	IPSI1572F	528.	575.	636.	645.	668.

Ordering Information

Fabric Inserts

1. Pattern Number
2. Fabric

Order Code

Fabric Inserts

Example: **IPSI1560F, W351**

IPSI Fabric Insert

15 High

60 Wide

F Tackable Fabric

W351 Foundation

Included With

Fabric Inserts

Options

Fabric Inserts

Interpole Vertical Open Cabinets

Interpole vertical open cabinets mount at any level using the slot on one side of a pole, providing compact open shelf storage for open plan, private offices or activity spaces. Interpole vertical cabinets are 64.5"H, 15"W and 15-5/8"D.

Interpole vertical cabinets include the mounting kit and hardware to secure case on one side of a pole.

Vertical open cabinets include four adjustable shelves and a full back, recessed 1/2" for optional fabric insert, specified separately.

Vertical cabinets can be specified with mounts on either left or right side gables to mount to the side of a pole.

Vertical cabinets mount at either end of a sequence of two or more poles connected by screens or horizontal storage components.

Construction

Case is composed of 3/4" thick wood panels, with discreet glue-and-dowel connections.

Case mounts to poles with three 15/16" thick cast aluminum dove-tail spacers and inserts, flex nuts and an anti-dislodgement bracket with set screw.

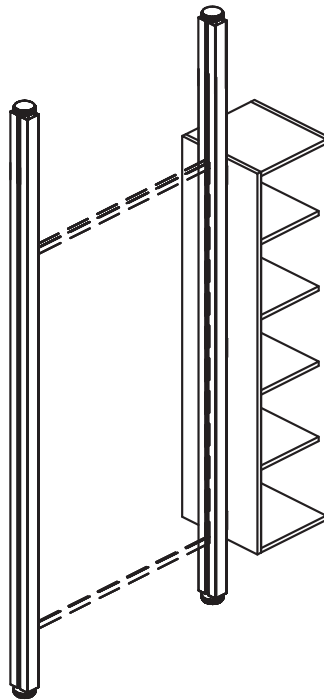
Specification Options

Specify laminate (L), "mixed" two-tone laminate (L) or veneer (V) case.

Case finish exterior is available in any Knoll core laminate or veneer. When the case exterior is laminate, case interior, shelves and inset back are available in any Knoll Core or Accent laminate. When an Accent laminate is specified, the edgeband will match the exterior core laminate finish.

Mounting brackets are available in any Knoll Core paint finish, Dark Red or Slate Blue.

Specify optional fabric inserts separately.



Interpole Vertical Open Cabinet with Mounts on Left side

Interpole Vertical Enclosed Cabinets

Interpole vertical enclosed cabinets mount at any level using the slot on one side of a pole, providing compact shelf or personal storage for open plan, private offices or activity spaces. Vertical enclosed cabinets are available in two configurations: vertical cabinet with four shelves, and vertical wardrobe cabinet. Interpole vertical enclosed cabinets are 64.5"H, 15"W and 16 1/2"D.

Interpole vertical cabinets include the mounting kit and hardware to secure case on one side of a pole.

All vertical enclosed cabinets have one full-height hinge door and a full back, recessed 1/2" for optional fabric insert, specified separately. Vertical cabinets can be specified with door hinges on either left or right side of cabinet as well as mounts on either left or right side gables to mount to the side of a pole.

Vertical enclosed cabinets with hinged door include four adjustable shelves.

Vertical wardrobe cabinets include a coat hook and adjustable lower shelf behind hinge door.

Vertical cabinets mount at either end of a sequence of two or more poles connected by screens or horizontal storage components.

Construction

Case is composed of 3/4" thick wood panels, with discreet glue-and-dowel connections.

Case mounts to poles with three 15/16" thick cast aluminum dove-tail spacers and inserts, flex nuts and an anti-dislodgement bracket with set screw.

Hinged doors open 135 degrees for easy access.

Specification Options

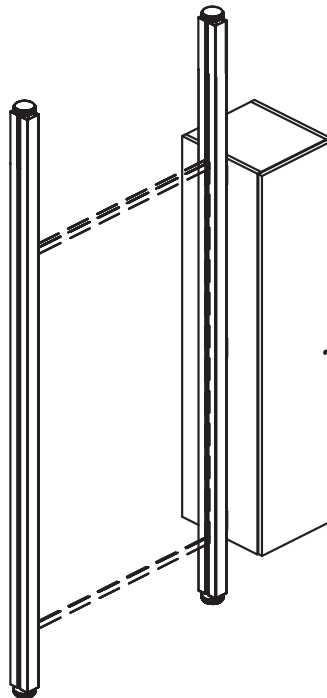
Specify laminate (L), laminate case with veneer front (M) or veneer (V) case. Cabinets are available either locking (L) or non-locking (N).

Case finish exterior is available in any Knoll core laminate or veneer. When the case exterior is laminate, specify door front finish in any Knoll Core laminate (L) or veneer (V).

Specify pull type: Edge (E) Insert (I) or Loop (O). Edge pulls are available in any Knoll Core paint finish, Dark Red, Slate Blue or in Chrome (PD). Loop pulls are available in any Knoll Core paint finish, Dark Red or Slate Blue. Insert pulls are available in Chrome (PD).

Mounting brackets are available in any Knoll Core paint finish, Dark Red or Slate Blue.

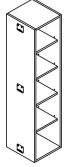
Specify optional fabric inserts separately.



Interpole Vertical Cabinet with Hinges and Mounts on Left Side

Interpole Vertical Wood Storage For Mounting on Side Slot of Pole Open Cabinets

description	w	d	h	pattern no.	All Same Laminate (Core Lam.) (L)	Different Laminate Case/Interior (Core Lam.) (L)	Different Laminate Case/Interior (Accent Lam.) (L)	V1 (V)	V2 (V)	V3 (V)
Interpole Vertical Cabinet, Open with Four Shelves	15"	15 ⁵ / ₈ "	64 ¹ / ₂ "	IPSVOS1564L()	\$2,323.	\$2,640.	\$3,484.	\$4,223.	\$4,856.	\$6,335.
	15"	15 ⁵ / ₈ "	64 ¹ / ₂ "	IPSVOS1564R()	2,323.	2,640.	3,484.	4,223.	4,856.	6,335.

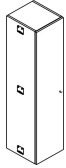


(left mount shown)

Ordering Information	Order Code	Included With	Options
Interpole Vertical Cabinet, Open with Shelves	Interpole Vertical Cabinet, Open with Shelves	Interpole Vertical Cabinet, Open with Shelves	Interpole Vertical Cabinet, Open with Shelves
1. Pattern Number	<i>Example:</i> IPSVOS1564LL, 118, 118T	Mounting Brackets	Case Finish Options:
2. Exterior Case Finish	IPS Interpole Storage	Hardware	(L) = All the same or different laminates for the exterior and interior case
3. Interior Case Finish (Laminate only)	VOS Vertical Cabinet Open with Shelves	(4) Adjustable Shelves	(V) = All the same veneer for the exterior and interior case
4. Bracket Paint Finish	15 Depth		
	64 Height		
	L Mounts on Left		
	L Laminate		
	118 Bright White Laminate		
	118 Bright White Laminate		
	118T Bright White Paint		

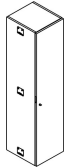
Interpole Vertical Wood Storage For Mounting on Side Slot of Pole Cabinets with Doors

description	w	d	h	pattern no.	All Same	Laminate	Laminate	Laminate	All V1	All V2	All V3
					Laminate (Core Lam.) (L)	Case w/ V1 Fronts (M)	Case w/ V2 Fronts (M)	Case w/ V3 Fronts (M)			
Interpole Vertical Cabinet, Door with Four Shelves, Left Hinge	15"	16 1/2"	64 1/2"	IPSVDL1564L()L	\$2,956.	\$3,273.	\$3,484.	\$3,696.	\$5,174.	\$5,912.	\$7,813.
	15"	16 1/2"	64 1/2"	IPSVDL1564R()L	2,956.	3,273.	3,484.	3,696.	5,174.	5,912.	7,813.



(hinged left / mount left shown)

Interpole Vertical Cabinet, Door with Four Shelves, Right Hinge	15"	16 1/2"	64 1/2"	IPSVDR1564L()L	2,956.	3,273.	3,484.	3,696.	5,174.	5,912.	7,813.
	15"	16 1/2"	64 1/2"	IPSVDR1564R()L	2,956.	3,273.	3,484.	3,696.	5,174.	5,912.	7,813.

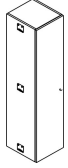


(hinged right / mount left shown)

Ordering Information	Order Code	Included With	Options
Interpole Vertical Cabinet with Door and Shelves	Interpole Vertical Cabinet with Doors and Shelves	Interpole Vertical Cabinet, Open with Shelves	Interpole Vertical Cabinet with Door and Shelves
1. Pattern Number	<i>Example:</i> IPSVDL1564LLN, 118, 118, E, 118T, 118T	Mounting Brackets	Case Finish Options:
2. Case Finish	IPS Interpole Storage	Hardware	(L) = All the same or different laminates for the exterior and interior case
3. Door Finish	VDL Vertical Cabinet with Door, Hinged Left	(4) Adjustable Shelves	(M) = Laminate exterior case/shelves and veneer door front
4. Pull Type	15 Depth		(V) = All the same veneer for the exterior case/shelves and door front
5. Pull Paint Finish	64 Height		
6. Bracket Paint Finish	L Mounts on Left		Lock Options:
	L Laminate		To specify an Interpole Vertical Storage cabinet without a lock, replace the final "L" suffix in the pattern number with an "N".
	N Non-Locking		
	118 Bright White Laminate		Door Pull Options:
	118 Bright White Laminate		(E) = Edge Pull
	E Edge Pull		(I) = Insert Pull
	118T Bright White Paint		(O) = Loop Pull
	118T Bright White Paint		See planning guide page for door pull finish options

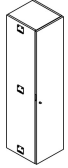
Interpole Vertical Wood Storage For Mounting on Side Slot of Pole Wardrobe Cabinets

description	w	d	h	pattern no.	All Same Laminate (Core Lam.) (L)	Laminate Case w/ V1 Fronts (M)	Laminate Case w/ V2 Fronts (M)	Laminate Case w/ V3 Fronts (M)	All V1 (V)	All V2 (V)	All V3 (V)
Interpole Vertical Cabinet, Wardrobe, Left Hinge	15"	16 1/2"	64 1/2"	IPSVWL1564L(JL)	\$2,640.	\$2,956.	\$3,167.	\$3,378.	\$4,856.	\$5,596.	\$7,496.
	15"	16 1/2"	64 1/2"	IPSVWL1564R(JL)	2,640.	2,956.	3,167.	3,378.	4,856.	5,596.	7,496.



(hinged left / mount left shown)

Interpole Vertical Cabinet, Wardrobe, Right Hinge	15"	16 1/2"	64 1/2"	IPSVWR1564L(JL)	2,640.	2,956.	3,167.	3,378.	4,856.	5,596.	7,496.
	15"	16 1/2"	64 1/2"	IPSVWR1564R(JL)	2,640.	2,956.	3,167.	3,378.	4,856.	5,596.	7,496.



(hinged right / mount left shown)

Ordering Information	Order Code	Included With	Options
Interpole Vertical Cabinet Wardrobe	Interpole Vertical Cabinet Wardrobe	Interpole Vertical Cabinet, Wardrobe	Interpole Vertical Cabinet with Door and Shelves
1. Pattern Number	<i>Example:</i> IPSVWL1564LLN, 118, 118, E, 118T, 118T	Mounting Brackets	Case Finish Options:
2. Case Finish	IPS Interpole Storage	Hardware	(L) = All the same or different laminates for the exterior and interior case
3. Door Finish	VWL Vertical Wardrobe, Hinged on Left	Coat Hook	(M) = Laminate exterior case/shelves and veneer door front
4. Pull Type	15 Depth	Low Shelf	(V) = All the same veneer for the exterior case/shelves and door front
5. Pull Paint Finish	64 Height		
6. Bracket Paint Finish	L Mounts on Left		Lock Options:
	L Laminate		To specify an Interpole Vertical Storage cabinet without a lock, replace the final "L" suffix in the pattern number with an "N".
	N Non-Locking		
	118 Bright White Laminate		Door Pull Options:
	118 Bright White Laminate		(E) = Edge Pull
	E Edge Pull		(I) = Insert Pull
	118T Bright White Paint		(O) = Loop Pull
	118T Bright White Paint		See planning guide page for door pull finish options

Interpole Vertical Wood Storage

Fabric Inserts

Planning Guidelines and Specifications

Fabric Insert for Interpole Cabinets

Fabric back insert is tackable fabric panel, nominal 1/2" thick, that fits in the recess behind the back of Interpole vertical cabinets. Fabric back inserts are 1 1/2" less wide and 1 1/2" less high than cabinet to fit between sides, top and bottom.

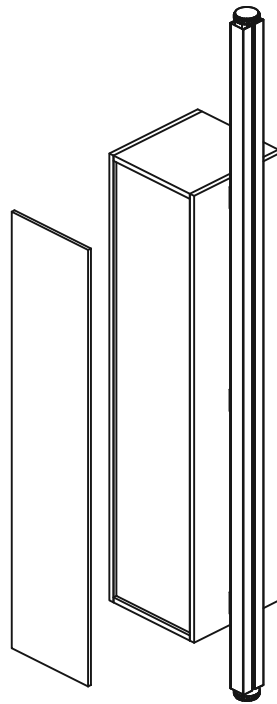
Fabric back insert is not applicable on cabinets without a recessed back.

Construction

Fabric back insert is 1/2" tackable tile with fabric applied on exterior surface and edges. Fabric inserts are installed using double-sided adhesive tape, which is included.

Specification Options

Fabric inserts may be specified in any Antenna approved textile. For Customers Own Material (COM) applications, see yardage chart in front of Price List.



Fabric Inserts are Installed in the Back of Interpole Vertical Cabinets

Interpole Vertical Wood Storage
Fabric Inserts
For Interpole Vertical Cabinets

description	w	d	h	pattern no.	grade				
					10	20	30	40	45
Fabric Inserts for Interpole Vertical Cabinets	15"	1/2"	64"	IPSI6415F	\$528.	\$575.	\$636.	\$645.	\$668.



Ordering Information

Fabric Inserts

1. Pattern Number
2. Fabric

Order Code

Fabric Inserts

Example: **IPSI6415F, W351**

IPSI Fabric Insert

64 High

15 Wide

F Tackable Fabric

W351 Foundation

Included With

Fabric Inserts

Options

Fabric Inserts

Antenna Simple Tables

Antenna Simple Tables are available as complete kits, including top, stiffener and legs. Preconfigured tables include round, square, rectangular and track shapes, in standard Antenna laminate or veneer top details, with painted finish legs.

Antenna Simple Table legs include a 1 1/4" round leg with 5"x5" top plate and are available with glides or casters. Tops are drilled at all four corners to position leg column at the corner or inset for rectangular tops 24"D or deeper. Antenna Simple Tables accept standard Antenna desk screens on tables 24" and 27"D when legs are in the outboard position or 30" and 36"D tables with legs positioned either outboard or inboard. Tables legs on 36" round tables may only be positioned in the outboard position.

Antenna Simple Table stiffeners are 9" less wide than the corresponding top width. Rectangular tops include factory drilled pilot holes to mount stiffeners either centered on top depth or offset 9" from the back edge. Round and Track shaped tops include pilot holes to mount the stiffener centered or offset 3" from center to avoid a centered grommet.

Table legs with glides include standard Antenna adjustable levelers with 3" continuous adjustment range. Table legs with casters include two locking and two non-locking threaded stem casters.

Antenna Simple Tables are available with or without a 2" round grommet. Rectangular and Track shaped tables feature two grommets positioned near the back edge. Round and Square shaped tables feature one centered grommet.

Construction

Antenna Simple Table tops are nominal 1 3/16" thick with a laminate or veneer surface finish. Laminate tops have a laminate top surface with an FSC-certified particle board core and a neutral tone backer sheet for balanced construction. Edges can match the top or contrast in color, in 2.8mm ABS with 2.4mm radius top and bottom edges. Front and back edges overlap ends with a 2.4mm radius on outside corners.

Techwood and natural veneer tops have a veneer top surface, an FSC-certified partial board core and a neutral tone backer sheet for balanced construction. Veneer tops have matching finish 2.0mm solid veneer edges on all sides. Top and bottom edges have a 2.0mm radius. Veneer grain direction is parallel to front edge.

Laminate and veneer tops include metal inserts on the underside at each corner for leg plate attachment with machine screws.

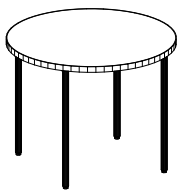
Legs are steel weldments with 1 1/4" round steel tube. Legs include 5" levelers with 5/8" stems and 3" continuous adjustment range. Leg plate is 3/8" thick steel with chamfered edge.

Stiffeners are 12 gauge steel with laser cut cleats for wire management.

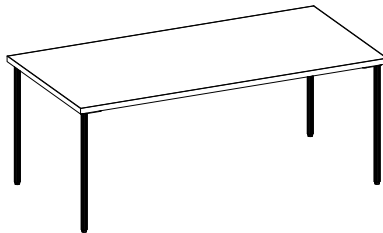
Specification Options

Table tops may be specified in any Antenna solid, pattern or woodgrain laminate, with matching or contrasting ABS edge, or in any Antenna Techwood or natural veneer with matching solid veneer or ABS edge.

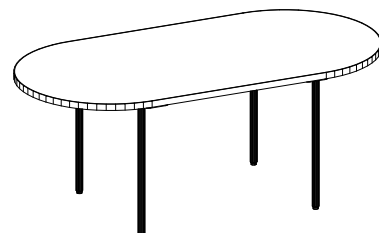
Legs may be specified in any standard Antenna smooth painted finish. Steel stiffener is default Medium Grey. Casters are default black.



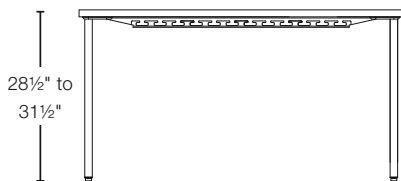
Round Simple Table,
25 5/6" or 28 1/2"H



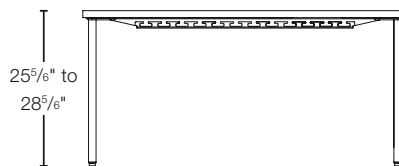
Rectangular Simple Table,
25 5/6" or 28 1/2"H



Track Shaped Simple Table,
25 5/6" or 28 1/2"H



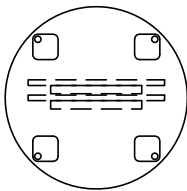
Side Elevation of Desk Height,
High Range, with Glides



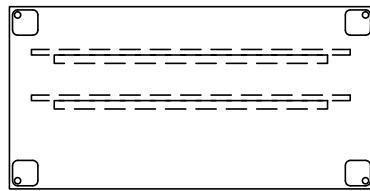
Side Elevation of Desk Height,
Low Range, with Glides



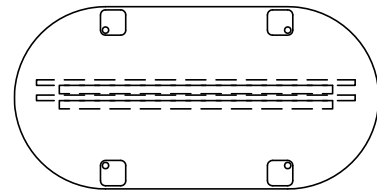
Side Elevation of
Desk Height, with Casters



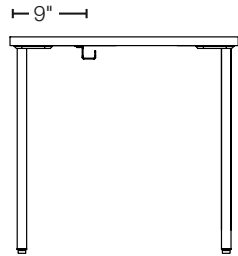
Round Simple
Table Plan View



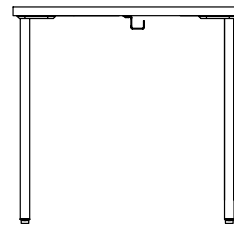
Rectangular Simple
Table Plan View



Track Shaped Simple
Table Plan View



End Elevation with
Stiffener in Back Position

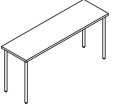


End Elevation with
Stiffener in Center Position

Antenna Simple Tables

Rectangular Tables

18" Deep

description	type	w	d	h	pattern no.	Laminate (L)	V1 (V)	V2 (V)	V3 (V)
18"D Antenna Simple Tables with Rectangular Shaped Tops 	Desk height high range	36"	18"	28 1/2"	YKTS3618SDHN	\$926.	\$1,101.	\$1,145.	\$1,230.
		42"	18"	28 1/2"	YKTS4218SDHN	966.	1,133.	1,181.	1,279.
		48"	18"	28 1/2"	YKTS4818SDHN	995.	1,164.	1,217.	1,329.
		54"	18"	28 1/2"	YKTS5418SDHN	1,022.	1,195.	1,254.	1,378.
		60"	18"	28 1/2"	YKTS6018SDHN	1,065.	1,226.	1,289.	1,427.
		66"	18"	28 1/2"	YKTS6618SDHN	1,095.	1,273.	1,340.	1,491.
		72"	18"	28 1/2"	YKTS7218SDHN	1,124.	1,320.	1,392.	1,556.
		78"	18"	28 1/2"	YKTS7818SDHN	1,183.	1,368.	1,443.	1,621.
		84"	18"	28 1/2"	YKTS8418SDHN	1,223.	1,414.	1,496.	1,686.
		Desk height low range	36"	18"	25 5/6"	YKTS3618SDLN	926.	1,101.	1,145.
42"	18"		25 5/6"	YKTS4218SDLN	966.	1,133.	1,181.	1,279.	
48"	18"		25 5/6"	YKTS4818SDLN	995.	1,164.	1,217.	1,329.	
54"	18"		25 5/6"	YKTS5418SDLN	1,022.	1,195.	1,254.	1,378.	
60"	18"		25 5/6"	YKTS6018SDLN	1,065.	1,226.	1,289.	1,427.	
66"	18"		25 5/6"	YKTS6618SDLN	1,095.	1,273.	1,340.	1,491.	
72"	18"		25 5/6"	YKTS7218SDLN	1,124.	1,320.	1,392.	1,556.	
78"	18"		25 5/6"	YKTS7818SDLN	1,183.	1,368.	1,443.	1,621.	
84"	18"		25 5/6"	YKTS8418SDLN	1,223.	1,414.	1,496.	1,686.	
Desk height with casters	36"		18"	28 1/2"	YKTS3618SDCN	974.	1,153.	1,197.	1,281.
	42"	18"	28 1/2"	YKTS4218SDCN	1,016.	1,185.	1,233.	1,331.	
	48"	18"	28 1/2"	YKTS4818SDCN	1,043.	1,215.	1,269.	1,380.	
	54"	18"	28 1/2"	YKTS5418SDCN	1,070.	1,246.	1,305.	1,430.	
	60"	18"	28 1/2"	YKTS6018SDCN	1,113.	1,277.	1,340.	1,478.	
	66"	18"	28 1/2"	YKTS6618SDCN	1,163.	1,325.	1,392.	1,543.	
	72"	18"	28 1/2"	YKTS7218SDCN	1,172.	1,372.	1,443.	1,608.	
	78"	18"	28 1/2"	YKTS7818SDCN	1,232.	1,419.	1,495.	1,673.	
	84"	18"	28 1/2"	YKTS8418SDCN	1,271.	1,466.	1,547.	1,738.	

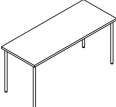
Antenna Simple Tables

Ordering Information	Order Code	Included With	Options
Antenna Simple Tables	Tables	Antenna Simple Tables	Antenna Simple Table
1. Pattern Number	<i>Example:</i> YKTS6018SDHNL, 118, 118	Antenna Top	(N) No grommet
2. Grommet / no grommet	YKTS Antenna Simple Table	Table Legs	(G) Grommet
3. Top finish type	60 Width	Stiffener	For Grommets, add \$50 for rectangular and track shape tops. Add \$25 for round and square.
4. Top finish	18 Depth	Leveling Glides or Casters	Top Finish Options:
5. Edge Finish (for laminate tops only)	SDH Desk Height High Range	Attachment Hardware	(L) = Laminate
6. Base finish (paint)	N No Grommet		(V) = Veneer
7. Grommet finish (paint)	L Laminate		Top may be specified in any Knoll core laminate or veneer.
	118 Bright White Laminate		Leg Finish Options:
	118 Bright White Edge		Legs are available in smooth Knoll core paints, Dark Red (130) and Slate blue (131) paint finishes.
	118 Bright White Leg		

Antenna Simple Tables

Rectangular Tables

24" Deep

description	type	w	d	h	pattern no.	Laminate (L)	V1 (V)	V2 (V)	V3 (V)
24"D Antenna Simple Tables with Rectangular Shaped Tops 	Desk height high range	36"	24"	28 1/2"	YKTS3624SDHN	\$962.	\$1,140.	\$1,193.	\$1,304.
		42"	24"	28 1/2"	YKTS4224SDHN	1,010.	1,177.	1,234.	1,363.
		48"	24"	28 1/2"	YKTS4824SDHN	1,042.	1,214.	1,275.	1,421.
		54"	24"	28 1/2"	YKTS5424SDHN	1,075.	1,251.	1,316.	1,480.
		60"	24"	28 1/2"	YKTS6024SDHN	1,125.	1,286.	1,359.	1,614.
		66"	24"	28 1/2"	YKTS6624SDHN	1,161.	1,339.	1,417.	1,689.
		72"	24"	28 1/2"	YKTS7224SDHN	1,177.	1,392.	1,476.	1,764.
		78"	24"	28 1/2"	YKTS7824SDHN	1,261.	1,444.	1,535.	1,840.
		84"	24"	28 1/2"	YKTS8424SDHN	1,305.	1,497.	1,591.	1,839.
		Desk height low range	36"	24"	25 5/6"	YKTS3624SDLN	962.	1,140.	1,193.
42"	24"		25 5/6"	YKTS4224SDLN	1,010.	1,177.	1,234.	1,363.	
48"	24"		25 5/6"	YKTS4824SDLN	1,042.	1,214.	1,275.	1,421.	
54"	24"		25 5/6"	YKTS5424SDLN	1,075.	1,251.	1,316.	1,480.	
60"	24"		25 5/6"	YKTS6024SDLN	1,125.	1,286.	1,359.	1,614.	
66"	24"		25 5/6"	YKTS6624SDLN	1,161.	1,339.	1,417.	1,689.	
72"	24"		25 5/6"	YKTS7224SDLN	1,177.	1,392.	1,476.	1,764.	
78"	24"		25 5/6"	YKTS7824SDLN	1,261.	1,444.	1,535.	1,840.	
84"	24"		25 5/6"	YKTS8424SDLN	1,305.	1,497.	1,591.	1,839.	
Desk height with casters	36"		24"	28 1/2"	YKTS3624SDCN	1,012.	1,192.	1,244.	1,355.
	42"	24"	28 1/2"	YKTS4224SDCN	1,059.	1,229.	1,285.	1,414.	
	48"	24"	28 1/2"	YKTS4824SDCN	1,092.	1,266.	1,327.	1,473.	
	54"	24"	28 1/2"	YKTS5424SDCN	1,124.	1,303.	1,368.	1,532.	
	60"	24"	28 1/2"	YKTS6024SDCN	1,174.	1,338.	1,410.	1,666.	
	66"	24"	28 1/2"	YKTS6624SDCN	1,209.	1,391.	1,469.	1,741.	
	72"	24"	28 1/2"	YKTS7224SDCN	1,226.	1,443.	1,527.	1,816.	
	78"	24"	28 1/2"	YKTS7824SDCN	1,309.	1,496.	1,586.	1,891.	
	84"	24"	28 1/2"	YKTS8424SDCN	1,353.	1,548.	1,643.	1,890.	

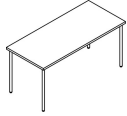
Ordering Information	Order Code	Included With	Options
Antenna Simple Tables 1. Pattern Number 2. Grommet / no grommet 3. Top finish type 4. Top finish 5. Edge Finish (for laminate tops only) 6. Base finish (paint) 7. Grommet finish (paint)	Tables <i>Example:</i> YKTS6024SDHNL, 118, 118 <hr/> YKTS Antenna Simple Table <hr/> 60 Width <hr/> 24 Depth <hr/> SDH Desk Height High Range <hr/> N No Grommet <hr/> L Laminate <hr/> 118 Bright White Laminate <hr/> 118 Bright White Edge <hr/> 118 Bright White Leg	Antenna Simple Tables Antenna Top Table Legs Stiffener Leveling Glides or Casters Attachment Hardware	Antenna Simple Table (N) No grommet (G) Grommet For Grommets, add \$50 for rectangular and track shape tops. Add \$25 for round and square. Top Finish Options: (L) = Laminate (V) = Veneer Top may be specified in any Knoll core laminate or veneer. Leg Finish Options: Legs are available in smooth Knoll core paints, Dark Red (130) and Slate blue (131) paint finishes.

Antenna Simple Tables

Rectangular Tables

27" Deep

description	type	w	d	h	pattern no.	Laminate (L)	V1 (V)	V2 (V)	V3 (V)
27"D Antenna Simple Tables with Rectangular Shaped Tops	Desk height high range	36"	27"	28 1/2"	YKTS3627SDHN	\$981.	\$1,153.	\$1,208.	\$1,333.
		42"	27"	28 1/2"	YKTS4227SDHN	1,031.	1,196.	1,258.	1,401.
		48"	27"	28 1/2"	YKTS4827SDHN	1,067.	1,239.	1,307.	1,469.
		54"	27"	28 1/2"	YKTS5427SDHN	1,102.	1,282.	1,357.	1,537.
		60"	27"	28 1/2"	YKTS6027SDHN	1,155.	1,325.	1,405.	1,605.
		66"	27"	28 1/2"	YKTS6627SDHN	1,164.	1,384.	1,460.	1,678.
		72"	27"	28 1/2"	YKTS7227SDHN	1,179.	1,423.	1,514.	1,751.
		78"	27"	28 1/2"	YKTS7827SDHN	1,298.	1,473.	1,569.	1,824.
		84"	27"	28 1/2"	YKTS8427SDHN	1,346.	1,520.	1,621.	1,897.
		Desk height low range	Desk height low range	36"	27"	25 3/6"	YKTS3627SDLN	981.	1,153.
42"	27"			25 3/6"	YKTS4227SDLN	1,031.	1,196.	1,258.	1,401.
48"	27"			25 3/6"	YKTS4827SDLN	1,067.	1,239.	1,307.	1,469.
54"	27"			25 3/6"	YKTS5427SDLN	1,102.	1,282.	1,357.	1,537.
60"	27"			25 3/6"	YKTS6027SDLN	1,155.	1,325.	1,405.	1,605.
66"	27"			25 3/6"	YKTS6627SDLN	1,164.	1,384.	1,460.	1,678.
72"	27"			25 3/6"	YKTS7227SDLN	1,179.	1,423.	1,514.	1,751.
78"	27"			25 3/6"	YKTS7827SDLN	1,298.	1,473.	1,569.	1,824.
84"	27"			25 3/6"	YKTS8427SDLN	1,346.	1,520.	1,621.	1,897.
Desk height with casters	Desk height with casters			36"	27"	28 1/2"	YKTS3627SDCN	1,030.	1,204.
		42"	27"	28 1/2"	YKTS4227SDCN	1,080.	1,247.	1,309.	1,452.
		48"	27"	28 1/2"	YKTS4827SDCN	1,115.	1,291.	1,359.	1,520.
		54"	27"	28 1/2"	YKTS5427SDCN	1,152.	1,334.	1,408.	1,588.
		60"	27"	28 1/2"	YKTS6027SDCN	1,203.	1,376.	1,456.	1,656.
		66"	27"	28 1/2"	YKTS6627SDCN	1,217.	1,436.	1,511.	1,729.
		72"	27"	28 1/2"	YKTS7227SDCN	1,246.	1,475.	1,566.	1,803.
		78"	27"	28 1/2"	YKTS7827SDCN	1,346.	1,524.	1,620.	1,876.
		84"	27"	28 1/2"	YKTS8427SDCN	1,396.	1,572.	1,673.	1,949.



Antenna Simple Tables

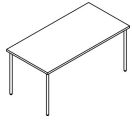
Ordering Information	Order Code	Included With	Options
Antenna Simple Tables	Tables	Antenna Simple Tables	Antenna Simple Table
1. Pattern Number	<i>Example:</i> YKTS6027SDHNL, 118, 118	Antenna Top	(N) No grommet
2. Grommet / no grommet	YKTS Antenna Simple Table	Table Legs	(G) Grommet
3. Top finish type	60 Width	Stiffener	For Grommets, add \$50 for rectangular and track shape tops. Add \$25 for round and square.
4. Top finish	27 Depth	Leveling Glides or Casters	Top Finish Options:
5. Edge Finish (for laminate tops only)	SDH Desk Height High Range	Attachment Hardware	(L) = Laminate
6. Base finish (paint)	N No Grommet		(V) = Veneer
7. Grommet finish (paint)	L Laminate		Top may be specified in any Knoll core laminate or veneer.
	118 Bright White Laminate		Leg Finish Options:
	118 Bright White Edge		Legs are available in smooth Knoll core paints, Dark Red (130) and Slate blue (131) paint finishes.
	118 Bright White Leg		

Antenna Simple Tables

Rectangular Tables

30" Deep

description	type	w	d	h	pattern no.	Laminate (L)	V1 (V)	V2 (V)	V3 (V)
30"D Antenna Simple Tables with Rectangular Shaped Tops	Desk height high range	36"	30"	28 1/2"	YKTS3630SDHN	\$1,000.	\$1,166.	\$1,225.	\$1,361.
		42"	30"	28 1/2"	YKTS4230SDHN	1,054.	1,210.	1,276.	1,433.
		48"	30"	28 1/2"	YKTS4830SDHN	1,092.	1,255.	1,328.	1,505.
		54"	30"	28 1/2"	YKTS5430SDHN	1,129.	1,299.	1,379.	1,577.
		60"	30"	28 1/2"	YKTS6030SDHN	1,182.	1,343.	1,428.	1,648.
		66"	30"	28 1/2"	YKTS6630SDHN	1,227.	1,397.	1,480.	1,710.
		72"	30"	28 1/2"	YKTS7230SDHN	1,265.	1,450.	1,525.	1,809.
		78"	30"	28 1/2"	YKTS7830SDHN	1,336.	1,504.	1,611.	1,889.
		84"	30"	28 1/2"	YKTS8430SDHN	1,388.	1,555.	1,663.	1,967.
		Desk height low range	Desk height low range	36"	30"	25 5/6"	YKTS3630SDLN	1,000.	1,166.
42"	30"			25 5/6"	YKTS4230SDLN	1,054.	1,210.	1,276.	1,433.
48"	30"			25 5/6"	YKTS4830SDLN	1,092.	1,255.	1,328.	1,505.
54"	30"			25 5/6"	YKTS5430SDLN	1,129.	1,299.	1,379.	1,577.
60"	30"			25 5/6"	YKTS6030SDLN	1,182.	1,343.	1,428.	1,648.
66"	30"			25 5/6"	YKTS6630SDLN	1,227.	1,397.	1,480.	1,710.
72"	30"			25 5/6"	YKTS7230SDLN	1,265.	1,450.	1,525.	1,809.
78"	30"			25 5/6"	YKTS7830SDLN	1,336.	1,504.	1,611.	1,889.
84"	30"			25 5/6"	YKTS8430SDLN	1,388.	1,555.	1,663.	1,967.
Desk height with casters	Desk height with casters			36"	30"	28 1/2"	YKTS3630SDCN	1,049.	1,217.
		42"	30"	28 1/2"	YKTS4230SDCN	1,102.	1,262.	1,328.	1,484.
		48"	30"	28 1/2"	YKTS4830SDCN	1,140.	1,306.	1,379.	1,556.
		54"	30"	28 1/2"	YKTS5430SDCN	1,178.	1,350.	1,431.	1,628.
		60"	30"	28 1/2"	YKTS6030SDCN	1,233.	1,395.	1,479.	1,700.
		66"	30"	28 1/2"	YKTS6630SDCN	1,275.	1,448.	1,532.	1,761.
		72"	30"	28 1/2"	YKTS7230SDCN	1,314.	1,502.	1,577.	1,860.
		78"	30"	28 1/2"	YKTS7830SDCN	1,385.	1,555.	1,662.	1,941.
		84"	30"	28 1/2"	YKTS8430SDCN	1,436.	1,607.	1,715.	2,019.



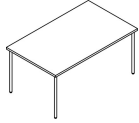
Ordering Information	Order Code	Included With	Options
Antenna Simple Tables	Tables	Antenna Simple Tables	Antenna Simple Table
1. Pattern Number	<i>Example:</i> YKTS6030SDHNL, 118, 118	Antenna Top	(N) No grommet
2. Grommet / no grommet		Table Legs	(G) Grommet
3. Top finish type	YKTS Antenna Simple Table	Stiffener	For Grommets, add \$50 for rectangular and track shape tops. Add \$25 for round and square.
4. Top finish	60 Width	Leveling Glides or Casters	Top Finish Options:
5. Edge Finish (for laminate tops only)	30 Depth	Attachment Hardware	(L) = Laminate
6. Base finish (paint)	SDH Desk Height High Range		(V) = Veneer
7. Grommet finish (paint)	N No Grommet		Top may be specified in any Knoll core laminate or veneer.
	L Laminate		Leg Finish Options:
	118 Bright White Laminate		Legs are available in smooth Knoll core paints, Dark Red (130) and Slate blue (131) paint finishes.
	118 Bright White Edge		
	118 Bright White Leg		

Antenna Simple Tables

Rectangular Tables

36" Deep

description	type	w	d	h	pattern no.	Laminate (L)	V1 (V)	V2 (V)	V3 (V)
36"D Antenna Simple Tables with Rectangular Shaped Tops	Desk height high range	36"	36"	28 1/2"	YKTS3636SDHN	\$1,038.	\$1,201.	\$1,278.	\$1,440.
		42"	36"	28 1/2"	YKTS4236SDHN	1,096.	1,244.	1,328.	1,514.
		48"	36"	28 1/2"	YKTS4836SDHN	1,140.	1,291.	1,377.	1,588.
		54"	36"	28 1/2"	YKTS5436SDHN	1,183.	1,337.	1,427.	1,662.
		60"	36"	28 1/2"	YKTS6036SDHN	1,245.	1,382.	1,475.	1,737.
		66"	36"	28 1/2"	YKTS6636SDHN	1,292.	1,438.	1,537.	1,824.
		72"	36"	28 1/2"	YKTS7236SDHN	1,337.	1,494.	1,599.	1,912.
		78"	36"	28 1/2"	YKTS7836SDHN	1,413.	1,549.	1,660.	1,999.
		84"	36"	28 1/2"	YKTS8436SDHN	1,470.	1,604.	1,724.	2,085.
		Desk height low range	Desk height low range	36"	36"	25 5/6"	YKTS3636SDLN	1,038.	1,201.
42"	36"			25 5/6"	YKTS4236SDLN	1,096.	1,244.	1,328.	1,514.
48"	36"			25 5/6"	YKTS4836SDLN	1,140.	1,291.	1,377.	1,588.
54"	36"			25 5/6"	YKTS5436SDLN	1,183.	1,337.	1,427.	1,662.
60"	36"			25 5/6"	YKTS6036SDLN	1,245.	1,382.	1,475.	1,737.
66"	36"			25 5/6"	YKTS6636SDLN	1,292.	1,438.	1,537.	1,824.
72"	36"			25 5/6"	YKTS7236SDLN	1,337.	1,494.	1,599.	1,912.
78"	36"			25 5/6"	YKTS7836SDLN	1,413.	1,549.	1,660.	1,999.
84"	36"			25 5/6"	YKTS8436SDLN	1,470.	1,604.	1,724.	2,085.
Desk height with casters	Desk height with casters			36"	36"	28 1/2"	YKTS3636SDCN	1,087.	1,252.
		42"	36"	28 1/2"	YKTS4236SDCN	1,145.	1,296.	1,379.	1,566.
		48"	36"	28 1/2"	YKTS4836SDCN	1,189.	1,342.	1,429.	1,640.
		54"	36"	28 1/2"	YKTS5436SDCN	1,232.	1,388.	1,478.	1,714.
		60"	36"	28 1/2"	YKTS6036SDCN	1,294.	1,434.	1,526.	1,788.
		66"	36"	28 1/2"	YKTS6636SDCN	1,340.	1,489.	1,588.	1,876.
		72"	36"	28 1/2"	YKTS7236SDCN	1,385.	1,545.	1,650.	1,963.
		78"	36"	28 1/2"	YKTS7836SDCN	1,463.	1,601.	1,712.	2,051.
		84"	36"	28 1/2"	YKTS8436SDCN	1,518.	1,655.	1,776.	2,136.





Antenna Simple Tables

Ordering Information	Order Code	Included With	Options
Antenna Simple Tables	Tables	Antenna Simple Tables	Antenna Simple Table
1. Pattern Number	<i>Example:</i> YKTS6036SDHNL, 118, 118	Antenna Top	(N) No grommet
2. Grommet / no grommet		Table Legs	(G) Grommet
3. Top finish type		Stiffener	
4. Top finish	YKTS Antenna Simple Table	Leveling Glides or Casters	For Grommets, add \$50 for rectangular and track shape tops. Add \$25 for round and square
5. Edge Finish (for laminate tops only)	60 Width	Attachment Hardware	
6. Base finish (paint)	36 Depth		Top Finish Options:
7. Grommet finish (paint)	SDH Desk Height High Range		(L) = Laminate
	N No Grommet		(V) = Veneer
	L Laminate		Top may be specified in any Knoll core laminate or veneer.
	118 Bright White Laminate		Leg Finish Options:
	118 Bright White Edge		Legs are available in smooth Knoll core paints, Dark Red (130) and Slate blue (131) paint finishes.
	118 Bright White Leg		

Antenna Simple Tables

Square Tables

36" and 42" Deep

description	type	w	d	h	pattern no.	Laminate (L)	V1 (V)	V2 (V)	V3 (V)
36"D Antenna Simple Tables with Square Shaped Tops 	Desk height high range	36"	36"	28½"	YKTS3636SDHN	\$1,038.	\$1,201.	\$1,278.	\$1,440.
	Desk height low range	36"	36"	25⅝"	YKTS3636SDLN	1,038.	1,201.	1,278.	1,440.
	Desk height with casters	36"	36"	28½"	YKTS3636SDCN	1,087.	1,252.	1,330.	1,491.
42"D Antenna Simple Tables with Square Shaped Tops 	Desk height high range	42"	42"	28½"	YKTS4242SDHN	1,148.	1,332.	1,412.	1,627.
	Desk height low range	42"	42"	25⅝"	YKTS4242SDLN	1,148.	1,332.	1,412.	1,627.
	Desk height with casters	42"	42"	28½"	YKTS4242SDCN	1,197.	1,372.	1,452.	1,668.

Ordering Information

Antenna Simple Tables

1. Pattern Number
2. Grommet / no grommet
3. Top finish type
4. Top finish
5. Edge Finish (for laminate tops only)
6. Base finish (paint)
7. Grommet finish (paint)

Order Code

Tables

Example: **YKTS3636SDHNL, 118, 118, 118**

YKTS	Antenna Simple Table
36	Width
36	Depth
SDH	Desk Height High Range
N	No Grommet
L	Laminate
118	Bright White Laminate
118	Bright White Edge
118	Bright White Leg

Included With

Antenna Simple Tables
 Antenna Top
 Table Legs
 Stiffener
 Leveling Glides or Casters
 Attachment Hardware

Options

Antenna Simple Table

(N) No grommet
 (G) Grommet

For Grommets, add \$50 for rectangular and track shape tops. Add \$25 for round and square.

Top Finish Options:

(L) = Laminate
 (V) = Veneer

Top may be specified in any Knoll core laminate or veneer.



Leg Finish Options:

Legs are available in smooth Knoll core paints, Dark Red (130) and Slate blue (131) paint finishes.

Antenna Simple Tables

Round Tables

36" and 42" Deep

description	type	w	d	h	pattern no.	Laminate (L)	V1 (V)	V2 (V)	V3 (V)
36"D Antenna Simple Tables with Round Shaped Tops 	Desk height high range	36"	36"	28½"	YKTR36SDHN	\$1,032.	\$2,273.	\$2,323.	\$2,493.
	Desk height low range	36"	36"	25⅝"	YKTR36SDLN	1,032.	2,273.	2,323.	2,493.
	Desk height with casters	36"	36"	28½"	YKTR36SDCN	1,080.	2,313.	2,363.	2,532.
42"D Antenna Simple Tables with Round Shaped Tops 	Desk height high range	42"	42"	28½"	YKTR42SDHN	1,142.	2,392.	2,453.	2,681.
	Desk height low range	42"	42"	25⅝"	YKTR42SDLN	1,142.	2,392.	2,453.	2,681.
	Desk height with casters	42"	42"	28½"	YKTR42SDCN	1,191.	2,431.	2,493.	2,720.

Antenna Simple Tables

Ordering Information	Order Code	Included With	Options
Antenna Simple Tables 1. Pattern Number 2. Grommet / no grommet 3. Top finish type 4. Top finish 5. Edge Finish (for laminate tops only) 6. Base finish (paint) 7. Grommet finish (paint)	Tables <i>Example:</i> YKTS6030SDHNL, 118, 118 <hr/> YKTS Antenna Simple Table <hr/> 60 Width <hr/> 30 Depth <hr/> SDH Desk Height High Range <hr/> N No Grommet <hr/> L Laminate <hr/> 118 Bright White Laminate <hr/> 118 Bright White Edge <hr/> 118 Bright White Leg	Antenna Simple Tables Antenna Top Table Legs Stiffener Leveling Glides or Casters Attachment Hardware	Antenna Simple Table (N) No grommet (G) Grommet For Grommets, add \$50 for rectangular and track shape tops. Add \$25 for round and square. Top Finish Options: (L) = Laminate (V) = Veneer Top may be specified in any Knoll core laminate or veneer. Leg Finish Options: Legs are available in smooth Knoll core paints, Dark Red (130) and Slate blue (131) paint finishes.

Antenna Simple Tables

Track Tables

36" Deep

description	type	w	d	h	pattern no.	Laminate (L)	V1 (V)	V2 (V)	V3 (V)
36"D Antenna Simple Tables with Track Shaped Tops	Desk height high range	72"	36"	28½"	YKTT7236SDHN	\$1,343.	\$2,652.	\$2,762.	\$3,074.
	Desk height low range	72"	36"	25¾"	YKTT7236SDLN	1,343.	2,652.	2,762.	3,074.
	Desk height with casters	72"	36"	28½"	YKTT7236SDCN	1,395.	2,692.	2,803.	3,114.



Ordering Information

Antenna Simple Tables

1. Pattern Number
2. Grommet / no grommet
3. Top finish type
4. Top finish
5. Edge Finish
(for laminate tops only)
6. Base finish (paint)
7. Grommet finish
(paint)

Order Code

Tables

Example: **YKTS6030SDHNL, 118, 118, 118**

YKTS	Antenna Simple Table
60	Width
30	Depth
SDH	Desk Height High Range
N	No Grommet
L	Laminate
118	Bright White Laminate
118	Bright White Edge
118	Bright White Leg

Included With

Antenna Simple Tables
 Antenna Top
 Table Legs
 Stiffener
 Leveling Glides or Casters
 Attachment Hardware

Options

Antenna Simple Table

(N) No grommet
 (G) Grommet

For Grommets, add \$50 for rectangular and track shape tops. Add \$25 for round and square.

Top Finish Options:

(L) = Laminate
 (V) = Veneer

Top may be specified in any Knoll core laminate or veneer.

Leg Finish Options:

Legs are available in smooth Knoll core paints, Dark Red (130) and Slate blue (131) paint finishes.

Modesty panels enable full width, flush enclosure under Antenna Simple tables. Modesty panels are suspended from the desktop and available in half height or full height versions. In both heights, modesty panels can be specified with or without a 1 ¼" high cord passage at the top to enable wire management or clamp-on accessories like Sapper monitor arm or desktop outlet center.

Half height modesty panels for Antenna Simple tables start at 10 ½" above the floor on desk height high range and tables specified with casters, and 7 ¾" above the floor on desk height low range tables. Both modesty heights correspond in width to desk tops and are available in 6" wide increments from 36" to 84".

Modesty panels include two or three brackets to the underside of a desktop and offset brackets to secure the inside of the panel to the back of Antenna Simple table legs. Offset brackets define a ¾" space between the inside of the panel and the back edge of the table legs.

Full height modesty panels should not be planned in combination with desk height low range or tables on casters.

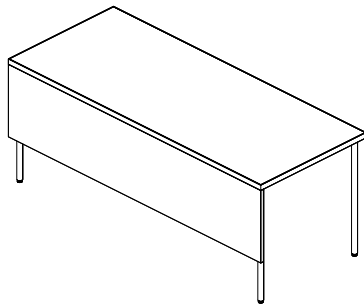
Modesty panel brackets do not deface the legs and may be added or removed without disassembling the table.

Construction

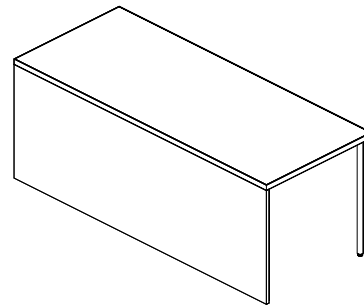
Modesty panels are ¾" thick veneer, laminate or painted wood and include steel and cast aluminum brackets.

Specification Options

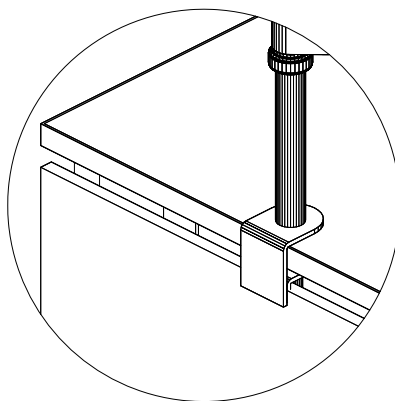
Specify modesty panels in any Knoll Core paint finish, solid and pattern laminate or veneer. Brushed Sand (122) and Brushed Grey (123) are not available on modesty panels. Specify bracket color in any Knoll Core paint finish.



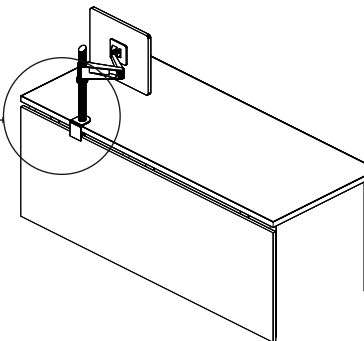
Simple Table with Partial Height Modesty Panel



Simple Table with Full Height Modesty Panel

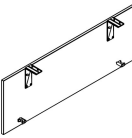


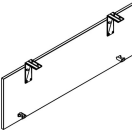
Sapper Monitor Arm Desk Clamp with Modesty Panel Cord Passage



Simple Table with Full Height Modesty Panel with Cord Passage

Modesty Panels for Simple Tables
Half Height
Painted, Laminate or Veneer

description	type	w	d	h	pattern no.	Painted (P)	Laminate (L)	V1 (V)	V2 (V)	V3 (V)
 Modesty Panel for Simple Tables, Half Height	For 36" Wide Tops	36"	1 1/8"	16 7/8"	YMPT1736()	\$260.	\$284.	\$621.	\$714.	\$928.
	For 42" Wide Tops	42"	1 1/8"	16 7/8"	YMPT1742()	267.	290.	641.	736.	959.
	For 48" Wide Tops	48"	1 1/8"	16 7/8"	YMPT1748()	272.	312.	665.	766.	996.
	For 54" Wide Tops	54"	1 1/8"	16 7/8"	YMPT1754()	278.	319.	690.	794.	1,032.
	For 60" Wide Tops	60"	1 1/8"	16 7/8"	YMPT1760()	327.	408.	741.	851.	1,106.
	For 66" Wide Tops	66"	1 1/8"	16 7/8"	YMPT1766()	368.	449.	760.	874.	1,137.
	For 72" Wide Tops	72"	1 1/8"	16 7/8"	YMPT1772()	373.	455.	781.	898.	1,168.
	For 78" Wide Tops	78"	1 1/8"	16 7/8"	YMPT1778()	379.	460.	810.	932.	1,212.
For 84" Wide Tops	84"	1 1/8"	16 7/8"	YMPT1784()	384.	466.	830.	956.	1,241.	

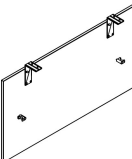
 Modesty Panel for Simple Tables, Half Height with Cord Passage	For 36" Wide Tops	36"	1 1/8"	15 7/8"	YMPT1636()	260.	284.	621.	714.	928.
	For 42" Wide Tops	42"	1 1/8"	15 7/8"	YMPT1642()	267.	290.	641.	736.	959.
	For 48" Wide Tops	48"	1 1/8"	15 7/8"	YMPT1648()	272.	312.	665.	766.	996.
	For 54" Wide Tops	54"	1 1/8"	15 7/8"	YMPT1654()	278.	319.	690.	794.	1,032.
	For 60" Wide Tops	60"	1 1/8"	15 7/8"	YMPT1660()	327.	408.	741.	851.	1,106.
	For 66" Wide Tops	66"	1 1/8"	15 7/8"	YMPT1666()	368.	449.	760.	874.	1,137.
	For 72" Wide Tops	72"	1 1/8"	15 7/8"	YMPT1672()	373.	455.	781.	898.	1,168.
	For 78" Wide Tops	78"	1 1/8"	15 7/8"	YMPT1678()	379.	460.	810.	932.	1,212.
	For 84" Wide Tops	84"	1 1/8"	15 7/8"	YMPT1684()	384.	466.	830.	956.	1,241.

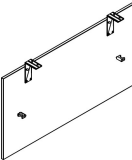
Ordering Information	Order Code	Included With	Options
Modesty Panels for Simple Tables 1. Pattern Number 2. Surface Finish 3. Bracket Paint Finish	Modesty Panels for Simple Tables <i>Example:</i> YMPT1748P, 118T, 118T YMPT Modesty Panel Simple Table <hr/> 17 Height <hr/> 48 Width <hr/> P Paint <hr/> 118T Bright White Paint <hr/> 118T Bright White Paint	Modesty Panels for Simple Tables Attachment brackets Hardware	Modesty Panels for Simple Tables Finish Options: (P)=Painted (L)=Laminate (V)=Veneer

Modesty Panels for Simple Tables

Full Height

Painted, Laminate or Veneer

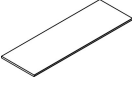
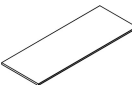
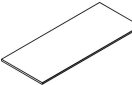
description	type	w	d	h	pattern no.	Painted (P)	Laminate (L)	V1 (V)	V2 (V)	V3 (V)
	For 36" Wide Tops	36"	1 1/8"	26 7/8"	YMPT2736()	\$280.	\$352.	\$693.	\$798.	\$1,037.
	For 42" Wide Tops	42"	1 1/8"	26 7/8"	YMPT2742()	289.	363.	723.	831.	1,080.
	For 48" Wide Tops	48"	1 1/8"	26 7/8"	YMPT2748()	299.	370.	760.	876.	1,138.
	For 54" Wide Tops	54"	1 1/8"	26 7/8"	YMPT2754()	307.	377.	790.	909.	1,182.
	For 60" Wide Tops	60"	1 1/8"	26 7/8"	YMPT2760()	361.	510.	857.	988.	1,283.
	For 66" Wide Tops	66"	1 1/8"	26 7/8"	YMPT2766()	404.	554.	889.	1,023.	1,329.
	For 72" Wide Tops	72"	1 1/8"	26 7/8"	YMPT2772()	413.	562.	918.	1,056.	1,372.
	For 78" Wide Tops	78"	1 1/8"	26 7/8"	YMPT2778()	422.	571.	957.	1,099.	1,430.
	For 84" Wide Tops	84"	1 1/8"	26 7/8"	YMPT2784()	431.	579.	986.	1,133.	1,473.

	For 36" Wide Tops	36"	1 1/8"	26 1/2"	YMPT2636()	280.	352.	693.	798.	1,037.
	For 42" Wide Tops	42"	1 1/8"	26 7/8"	YMPT2642()	289.	363.	723.	831.	1,080.
	For 48" Wide Tops	48"	1 1/8"	26 7/8"	YMPT2648()	299.	370.	760.	876.	1,138.
	For 54" Wide Tops	54"	1 1/8"	26 7/8"	YMPT2654()	307.	377.	790.	909.	1,182.
	For 60" Wide Tops	60"	1 1/8"	26 7/8"	YMPT2660()	361.	510.	857.	988.	1,283.
	For 66" Wide Tops	66"	1 1/8"	26 7/8"	YMPT2666()	404.	554.	889.	1,023.	1,329.
	For 72" Wide Tops	72"	1 1/8"	26 7/8"	YMPT2672()	413.	562.	918.	1,056.	1,372.
	For 78" Wide Tops	78"	1 1/8"	26 7/8"	YMPT2678()	422.	571.	957.	1,099.	1,430.
	For 84" Wide Tops	84"	1 1/8"	26 7/8"	YMPT2684()	431.	579.	986.	1,133.	1,473.

Antenna Simple Tables

Ordering Information	Order Code	Included With	Options
Modesty Panels for Simple Tables 1. Pattern Number 2. Surface Finish 3. Bracket Paint Finish	Modesty Panels for Simple Tables <i>Example:</i> YMPT1748P, 118T, 118T YMPT Modesty Panel Simple Table <hr/> 17 Height <hr/> 48 Width <hr/> P Paint <hr/> 118T Bright White Paint <hr/> 118T Bright White Paint	Modesty Panels for Simple Tables Attachment brackets Hardware	Modesty Panels for Simple Tables Finish Options: (P)=Painted (L)=Laminate (V)=Veneer

Antenna Telescope Tops for Adjustable Dual Tables 24", 27" and 30" Deep Rectangular

description	type	w	d	h	pattern no.	Laminate (L)	V1 (V)	V2 (V)	V3 (V)
Antenna Telescope Adjustable Tops, 24" Deep Rectangular 	For use with Telescope Adjustable Dual Tables	47"	24"	1 1/4"	YTT4724()	\$304.	\$525.	\$604.	\$817.
	For use with Telescope Adjustable Dual Tables	53"	24"	1 1/4"	YTT5324()	330.	560.	645.	871.
	For use with Telescope Adjustable Dual Tables	59"	24"	1 1/4"	YTT5924()	355.	493.	686.	927.
	For use with Telescope Adjustable Dual Tables	65"	24"	1 1/4"	YTT6524()	384.	621.	714.	963.
	For use with Telescope Adjustable Dual Tables	71"	24"	1 1/4"	YTT7124()	400.	644.	742.	1,000.
	For use with Telescope Adjustable Dual Tables	77"	24"	1 1/4"	YTT7724()	431.	674.	776.	1,048.
	For use with Telescope Adjustable Dual Tables	83"	24"	1 1/4"	YTT8324()	456.	705.	809.	1,093.
Antenna Telescope Adjustable Tops, 27" Deep Rectangular 	For use with Telescope Adjustable Dual Tables	47"	27"	1 1/4"	YTT4727()	330.	555.	639.	863.
	For use with Telescope Adjustable Dual Tables	53"	27"	1 1/4"	YTT5327()	367.	591.	680.	917.
	For use with Telescope Adjustable Dual Tables	59"	27"	1 1/4"	YTT5927()	399.	626.	720.	972.
	For use with Telescope Adjustable Dual Tables	65"	27"	1 1/4"	YTT6527()	438.	644.	742.	1,000.
	For use with Telescope Adjustable Dual Tables	71"	27"	1 1/4"	YTT7127()	458.	667.	769.	1,036.
	For use with Telescope Adjustable Dual Tables	77"	27"	1 1/4"	YTT7727()	489.	696.	802.	1,083.
	For use with Telescope Adjustable Dual Tables	83"	27"	1 1/4"	YTT8327()	519.	726.	835.	1,129.
Antenna Telescope Adjustable Tops, 30" Deep Rectangular 	For use with Telescope Adjustable Dual Tables	47"	30"	1 1/4"	YTT4730()	355.	591.	680.	917.
	For use with Telescope Adjustable Dual Tables	53"	30"	1 1/4"	YTT5330()	404.	626.	720.	972.
	For use with Telescope Adjustable Dual Tables	59"	30"	1 1/4"	YTT5930()	444.	662.	760.	1,027.
	For use with Telescope Adjustable Dual Tables	65"	30"	1 1/4"	YTT6530()	495.	674.	776.	1,048.
	For use with Telescope Adjustable Dual Tables	71"	30"	1 1/4"	YTT7130()	513.	697.	802.	1,083.
	For use with Telescope Adjustable Dual Tables	77"	30"	1 1/4"	YTT7730()	549.	726.	835.	1,129.
	For use with Telescope Adjustable Dual Tables	83"	30"	1 1/4"	YTT8330()	583.	756.	870.	1,175.

Ordering Information

Antenna Telescope Tops

1. Pattern Number
2. Top Finish Type
3. Top Finish
4. Edge Finish
(for laminate tops only)

Order Code

Antenna Telescope Tops

Example: **YTT5930L, 118, 118**

YTT	Antenna Telescope Top
59	Width
30	Depth
L	Laminate
118	Bright White Laminate
118	Bright White Edge

Included With

Antenna Telescope Tops

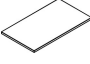


Options

Antenna Telescope Tops

Top Finish Options:

Add an (L) for laminate or (V) for veneer suffix to pattern number.

Antenna Telescope Return Tops for Dual Tables 24", 27" and 30" Deep Rectangular

description	type	w	d	h	pattern no.	Laminate (L)	V1 (V)	V2 (V)	V3 (V)
Antenna Telescope Return Tops, 24" Deep Rectangular 	For use with Telescope Return Bases	30"	24"	1 1/4"	YTTR3024()	\$213.	\$456.	\$523.	\$708.
	For use with Telescope Return Bases	36"	24"	1 1/4"	YTTR3624()	238.	478.	551.	744.
	For use with Telescope Return Bases	42"	24"	1 1/4"	YTTR4224()	272.	503.	579.	780.
	For use with Telescope Return Bases	48"	24"	1 1/4"	YTTR4824()	304.	525.	604.	817.
	For use with Telescope Return Bases	54"	24"	1 1/4"	YTTR5424()	330.	560.	645.	871.
	For use with Telescope Return Bases	60"	24"	1 1/4"	YTTR6024()	355.	596.	686.	927.
	For use with Telescope Return Bases	66"	24"	1 1/4"	YTTR6624()	384.	621.	714.	963.
	For use with Telescope Return Bases	72"	24"	1 1/4"	YTTR7224()	400.	644.	742.	1,000.
Antenna Telescope Return Tops, 27" Deep Rectangular 	For use with Telescope Return Bases	30"	27"	1 1/4"	YTTR3027()	240.	473.	544.	734.
	For use with Telescope Return Bases	36"	27"	1 1/4"	YTTR3627()	267.	503.	579.	780.
	For use with Telescope Return Bases	42"	27"	1 1/4"	YTTR4227()	298.	525.	604.	817.
	For use with Telescope Return Bases	48"	27"	1 1/4"	YTTR4827()	330.	555.	639.	863.
	For use with Telescope Return Bases	54"	27"	1 1/4"	YTTR5427()	367.	591.	680.	917.
	For use with Telescope Return Bases	60"	27"	1 1/4"	YTTR6027()	399.	626.	720.	972.
	For use with Telescope Return Bases	66"	27"	1 1/4"	YTTR6627()	438.	644.	742.	1,000.
	For use with Telescope Return Bases	72"	27"	1 1/4"	YTTR7227()	458.	667.	769.	1,036.
Antenna Telescope Return Tops, 30" Deep Rectangular 	For use with Telescope Return Bases	30"	30"	1 1/4"	YTTR3030()	267.	497.	571.	771.
	For use with Telescope Return Bases	36"	30"	1 1/4"	YTTR3630()	294.	533.	614.	826.
	For use with Telescope Return Bases	42"	30"	1 1/4"	YTTR4230()	321.	550.	632.	853.
	For use with Telescope Return Bases	48"	30"	1 1/4"	YTTR4830()	355.	591.	680.	917.
	For use with Telescope Return Bases	54"	30"	1 1/4"	YTTR5430()	404.	626.	720.	972.
	For use with Telescope Return Bases	60"	30"	1 1/4"	YTTR6030()	444.	662.	760.	1,027.
	For use with Telescope Return Bases	66"	30"	1 1/4"	YTTR6630()	495.	674.	776.	1,048.
	For use with Telescope Return Bases	72"	30"	1 1/4"	YTTR7230()	513.	697.	802.	1,083.

Antenna Telescope

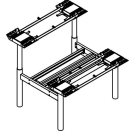
Ordering Information	Order Code	Included With	Options
Antenna Telescope Tops 1. Pattern Number 2. Top Finish Type 3. Top Finish 4. Edge Finish (for laminate tops only)	Antenna Telescope Tops <i>Example:</i> YTTR5930L, 118, 118 YTTR Antenna Telescope Return Top <hr/> 59 Width <hr/> 30 Depth <hr/> L Laminate <hr/> 118 Bright White Laminate <hr/> 118 Bright White Edge	Antenna Telescope Tops	Antenna Telescope Tops Top Finish Options: Add an (L) for laminate or (V) for veneer suffix to pattern number.

Antenna Telescope Dual Table Bases

Standard Electric

With Beam and Dual Utility Trays

description	type	w	d	pattern no.	list
Telescope Base, Height Adjustable Standard Electric, with Beam and Dual Trays, Standalone	For use in standalone application	48"	45"	YBTESBTS48	\$8,116.
	For use in standalone application	54"	45"	YBTESBTS54	8,194.
	For use in standalone application	60"	45"	YBTESBTS60	8,245.
	For use in standalone application	66"	45"	YBTESBTS66	8,281.
	For use in standalone application	72"	45"	YBTESBTS72	8,302.
	For use in standalone application	78"	45"	YBTESBTS78	8,451.
	For use in standalone application	84"	45"	YBTESBTS84	8,719.



Telescope Base, Height Adjustable Standard Electric, with Beam and Dual Trays, End	For use in end application	48"	45"	YBTESBTE48	8,173.
	For use in end application	54"	45"	YBTESBTE54	8,250.
	For use in end application	60"	45"	YBTESBTE60	8,302.
	For use in end application	66"	45"	YBTESBTE66	8,338.
	For use in end application	72"	45"	YBTESBTE72	8,358.
	For use in end application	78"	45"	YBTESBTE78	8,508.
	For use in end application	84"	45"	YBTESBTE84	8,776.



Telescope Base, Height Adjustable Standard Electric, with Beam and Dual Trays, Intermediate	For use in intermediate application	48"	45"	YBTESBTI48	8,230.
	For use in intermediate application	54"	45"	YBTESBTI54	8,307.
	For use in intermediate application	60"	45"	YBTESBTI60	8,358.
	For use in intermediate application	66"	45"	YBTESBTI66	8,395.
	For use in intermediate application	72"	45"	YBTESBTI72	8,415.
	For use in intermediate application	78"	45"	YBTESBTI78	8,564.
	For use in intermediate application	84"	45"	YBTESBTI84	8,832.



Ordering Information

Antenna Telescope Dual Table Bases

1. Pattern Number
2. Control Switch
3. Base Paint Finish

Order Code

Antenna Telescope Dual Table Bases

Example: **YBTESBTE60, D, 118T**

YBT	Antenna Telescope Base
ES	Standard Electric
BT	With Beam and Trays
E	End position
60	Width
D	Digital Display
118T	Bright White Paint

Included With

Antenna Telescope Dual Table Bases

Columns
 Center beam
 Dual Trays
 Rails
 Connecting Hardware

Options

Antenna Telescope Dual Table Bases

Control Switch Options:

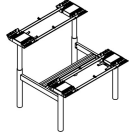
(S) = Standard up/down control switch
 (D) = Digital Display with programmable setting.
 Add \$637 list for the digital display selection.

Antenna Telescope Dual Table Bases

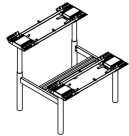
Standard Electric

With Beam Only

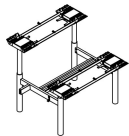
description	type	w	d	pattern no.	list
Telescope Base, Height Adjustable Standard Electric, with Beam, Standalone	For use in standalone application	48"	45"	YBTESBNS48	\$7,545.
	For use in standalone application	54"	45"	YBTESBNS54	7,586.
	For use in standalone application	60"	45"	YBTESBNS60	7,725.
	For use in standalone application	66"	45"	YBTESBNS66	7,735.
	For use in standalone application	72"	45"	YBTESBNS72	7,751.
	For use in standalone application	78"	45"	YBTESBNS78	7,782.
	For use in standalone application	84"	45"	YBTESBNS84	7,998.



Telescope Base, Height Adjustable Standard Electric, with Beam, End	For use in end application	48"	45"	YBTESBNE48	7,601.
	For use in end application	54"	45"	YBTESBNE54	7,643.
	For use in end application	60"	45"	YBTESBNE60	7,782.
	For use in end application	66"	45"	YBTESBNE66	7,792.
	For use in end application	72"	45"	YBTESBNE72	7,807.
	For use in end application	78"	45"	YBTESBNE78	7,838.
	For use in end application	84"	45"	YBTESBNE84	8,055.



Telescope Base, Height Adjustable Standard Electric, with Beam, Intermediate	For use in intermediate application	48"	45"	YBTESBNI48	7,658.
	For use in intermediate application	54"	45"	YBTESBNI54	7,699.
	For use in intermediate application	60"	45"	YBTESBNI60	7,838.
	For use in intermediate application	66"	45"	YBTESBNI66	7,849.
	For use in intermediate application	72"	45"	YBTESBNI72	7,864.
	For use in intermediate application	78"	45"	YBTESBNI78	7,895.
	For use in intermediate application	84"	45"	YBTESBNI84	8,111.



Antenna Telescope

Ordering Information

Antenna Telescope Dual Table Bases

1. Pattern Number
2. Control Switch
3. Base Paint Finish

Order Code

Antenna Telescope Dual Table Bases

Example: **YBTESBNE60, D, 118T**

YBT	Antenna Telescope Base
ES	Standard Electric
BN	With Beam Only
E	End position
60	Width
D	Digital Display
118T	Bright White Paint

Included With

Antenna Telescope Dual Table Bases

Columns
Center beam
Rails
Connecting Hardware

Options

Antenna Telescope Dual Table Bases

Control Switch Options:

(S) = Standard up/down control switch

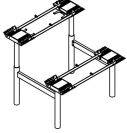
(D) = Digital Display with programmable setting. Add \$637 list for the digital display selection.

Antenna Telescope Dual Table Bases

Standard Electric

Without Beam and Dual Utility Trays

description	type	w	d	pattern no.	list
Telescope Base, Height Adjustable Standard Electric, without Beam and Tray, Standalone	For use in standalone application	48"	45"	YBTESNNS48	\$7,282.
	For use in standalone application	54"	45"	YBTESNNS54	7,323.
	For use in standalone application	60"	45"	YBTESNNS60	7,359.
	For use in standalone application	66"	45"	YBTESNNS66	7,365.
	For use in standalone application	72"	45"	YBTESNNS72	7,380.
	For use in standalone application	78"	45"	YBTESNNS78	7,411.
	For use in standalone application	84"	45"	YBTESNNS84	7,632.



Ordering Information

Antenna Telescope Dual Table Bases

1. Pattern Number
2. Control Switch
3. Base Paint Finish

Order Code

Antenna Telescope Dual Table Bases

Example: **YBTESNNE60, D, 118T**

YBT	Antenna Telescope Base
ES	Standard Electric
NN	Without Beam and Trays
E	End position
60	Width
D	Digital Display
118T	Bright White Paint

Included With

Antenna Telescope Dual Table Bases

Columns
Rails
Connecting Hardware

Options

Antenna Telescope Dual Table Bases

Control Switch Options:

(S) = Standard up/down control switch

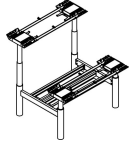
(D) = Digital Display with programmable setting.
Add \$637 list for the digital display selection.

Antenna Telescope Dual Table Bases

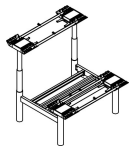
Extended Electric

With Beam and Dual Utility Trays

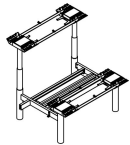
description	type	w	d	pattern no.	list
Telescope Base, Height Adjustable Extended Electric, with Beam and Dual Trays, Standalone	For use in standalone application	48"	45"	YBTEXBTS48	\$9,146.
	For use in standalone application	54"	45"	YBTEXBTS54	9,224.
	For use in standalone application	60"	45"	YBTEXBTS60	9,275.
	For use in standalone application	66"	45"	YBTEXBTS66	9,311.
	For use in standalone application	72"	45"	YBTEXBTS72	9,332.
	For use in standalone application	78"	45"	YBTEXBTS78	9,481.
	For use in standalone application	84"	45"	YBTEXBTS84	9,749.



Telescope Base, Height Adjustable Extended Electric, with Beam and Dual Trays, End	For use in end application	48"	45"	YBTEXBTE48	9,203.
	For use in end application	54"	45"	YBTEXBTE54	9,280.
	For use in end application	60"	45"	YBTEXBTE60	9,332.
	For use in end application	66"	45"	YBTEXBTE66	9,368.
	For use in end application	72"	45"	YBTEXBTE72	9,388.
	For use in end application	78"	45"	YBTEXBTE78	9,538.
	For use in end application	84"	45"	YBTEXBTE84	9,806.



Telescope Base, Height Adjustable Extended Electric, with Beam and Dual Trays, Intermediate	For use in intermediate application	48"	45"	YBTEXBTI48	9,260.
	For use in intermediate application	54"	45"	YBTEXBTI54	9,337.
	For use in intermediate application	60"	45"	YBTEXBTI60	9,388.
	For use in intermediate application	66"	45"	YBTEXBTI66	9,425.
	For use in intermediate application	72"	45"	YBTEXBTI72	9,445.
	For use in intermediate application	78"	45"	YBTEXBTI78	9,594.
	For use in intermediate application	84"	45"	YBTEXBTI84	9,862.



Ordering Information

Antenna Telescope Dual Table Bases

1. Pattern Number
2. Control Switch
3. Base Paint Finish

Order Code

Antenna Telescope Dual Table Bases

Example: **YBTEXBTE60, D, 118T**

YBT	Antenna Telescope Base
EX	Extended Electric
BT	With Beam and Trays
E	End position
60	Width
D	Digital Display
118T	Bright White Paint

Included With

Antenna Telescope Dual Table Bases

Columns
Center beam
Dual Trays
Rails
Connecting Hardware

Options

Antenna Telescope Dual Table Bases

Control Switch Options:

(S) = Standard up/down control switch

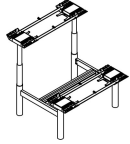
(D) = Digital Display with programmable setting.
Add \$637 list for the digital display selection.

Antenna Telescope Dual Table Bases

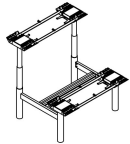
Extended Electric

With Beam Only

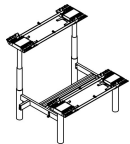
description	type	w	d	pattern no.	list
Telescope Base, Height Adjustable Extended Electric, with Beam, Standalone	For use in standalone application	48"	45"	YBTEXBNS48	\$8,575.
	For use in standalone application	54"	45"	YBTEXBNS54	8,616.
	For use in standalone application	60"	45"	YBTEXBNS60	8,755.
	For use in standalone application	66"	45"	YBTEXBNS66	8,765.
	For use in standalone application	72"	45"	YBTEXBNS72	8,781.
	For use in standalone application	78"	45"	YBTEXBNS78	8,812.
	For use in standalone application	84"	45"	YBTEXBNS84	9,028.



Telescope Base, Height Adjustable Extended Electric, with Beam, End	For use in end application	48"	45"	YBTEXBNE48	8,631.
	For use in end application	54"	45"	YBTEXBNE54	8,673.
	For use in end application	60"	45"	YBTEXBNE60	8,812.
	For use in end application	66"	45"	YBTEXBNE66	8,822.
	For use in end application	72"	45"	YBTEXBNE72	8,837.
	For use in end application	78"	45"	YBTEXBNE78	8,868.
	For use in end application	84"	45"	YBTEXBNE84	9,085.



Telescope Base, Height Adjustable Extended Electric, with Beam, Intermediate	For use in intermediate application	48"	45"	YBTEXBNI48	8,688.
	For use in intermediate application	54"	45"	YBTEXBNI54	8,729.
	For use in intermediate application	60"	45"	YBTEXBNI60	8,868.
	For use in intermediate application	66"	45"	YBTEXBNI66	8,879.
	For use in intermediate application	72"	45"	YBTEXBNI72	8,894.
	For use in intermediate application	78"	45"	YBTEXBNI78	8,925.
	For use in intermediate application	84"	45"	YBTEXBNI84	9,141.



Ordering Information

Antenna Telescope Dual Table Bases

1. Pattern Number
2. Control Switch
3. Base Paint Finish

Order Code

Antenna Telescope Dual Table Bases

Example: **YBTEXBNE60, D, 118T**

YBT	Antenna Telescope Base
EX	Extended Electric
BN	With Beam Only
E	End position
60	Width
D	Digital Display
118T	Bright White Paint

Included With

Antenna Telescope Dual Table Bases

Columns
Center beam
Rails
Connecting Hardware

Options

Antenna Telescope Dual Table Bases

Control Switch Options:

(S) = Standard up/down control switch

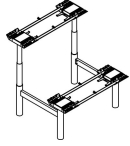
(D) = Digital Display with programmable setting.
Add \$637 list for the digital display selection.

Antenna Telescope Dual Table Bases

Extended Electric

Without Beam and Dual Utility Trays

description	type	w	d	pattern no.	list
Telescope Base, Height Adjustable Extended Electric, without Beam and Tray, Standalone	For use in standalone application	48"	45"	YBTEXNNS48	\$8,312.
	For use in standalone application	54"	45"	YBTEXNNS54	8,353.
	For use in standalone application	60"	45"	YBTEXNNS60	8,389.
	For use in standalone application	66"	45"	YBTEXNNS66	8,395.
	For use in standalone application	72"	45"	YBTEXNNS72	8,410.
	For use in standalone application	78"	45"	YBTEXNNS78	8,441.
	For use in standalone application	84"	45"	YBTEXNNS84	8,662.



Ordering Information

Antenna Telescope Dual Table Bases

1. Pattern Number
2. Control Switch
3. Base Paint Finish

Order Code

Antenna Telescope Dual Table Bases

Example: **YBTEXNNE60, D, 118T**

YBT	Antenna Telescope Base
EX	Extended Electric
NN	Without Beam and Tray
E	End position
60	Width
D	Digital Display
118T	Bright White Paint

Included With

Antenna Telescope Dual Table Bases

Columns
Rails
Connecting Hardware

Options

Antenna Telescope Dual Table Bases


Control Switch Options:

(S) = Standard up/down control switch

(D) = Digital Display with programmable setting. Add \$637 list for the digital display selection.

Antenna Telescope Return Bases

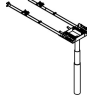
Standard Electric

description	type	w	d	pattern no.	list
Telescope Return Base, Height Adjustable Standard Electric 	For 54"W Return, Includes Depth of Adjoining Top	15"	54"	YBTRES54	\$1,906.
	For 57"W Return, Includes Depth of Adjoining Top	15"	57"	YBTRES57	1,911.
	For 60"W Return, Includes Depth of Adjoining Top	15"	60"	YBTRES60	1,921.
	For 63"W Return, Includes Depth of Adjoining Top	15"	63"	YBTRES63	1,931.
	For 66"W Return, Includes Depth of Adjoining Top	15"	66"	YBTRES66	1,936.
	For 69"W Return, Includes Depth of Adjoining Top	15"	69"	YBTRES69	1,942.
	For 72"W Return, Includes Depth of Adjoining Top	15"	72"	YBTRES72	1,952.
	For 75"W Return, Includes Depth of Adjoining Top	15"	75"	YBTRES75	1,957.
	For 78"W Return, Includes Depth of Adjoining Top	15"	78"	YBTRES78	1,962.
	For 81"W Return, Includes Depth of Adjoining Top	15"	81"	YBTRES81	1,972.
	For 84"W Return, Includes Depth of Adjoining Top	15"	84"	YBTRES84	1,978.
	For 87"W Return, Includes Depth of Adjoining Top	15"	87"	YBTRES87	1,980.
	For 90"W Return, Includes Depth of Adjoining Top	15"	90"	YBTRES90	1,983.
	For 93"W Return, Includes Depth of Adjoining Top	15"	93"	YBTRES93	1,993.
	For 96"W Return, Includes Depth of Adjoining Top	15"	96"	YBTRES96	2,009.
	For 99"W Return, Includes Depth of Adjoining Top	15"	99"	YBTRES99	2,011.
For 102"W Return, Includes Depth of Adjoining Top	15"	102"	YBTRES102	2,014.	

Ordering Information	Order Code	Included With	Options
Antenna Telescope Return Bases 1. Pattern Number 2. Base Paint Finish	Antenna Telescope Return Bases <i>Example:</i> YBTRES60, 118T YBTR Antenna Telescope Return Base ES Standard Electric 60 Depth 118T Bright White Paint	Antenna Telescope Return Bases Column Rails Connecting Hardware	Antenna Telescope Return Bases

Antenna Telescope Return Bases

Extended Electric

description	type	w	d	pattern no.	list
 Telescope Return Base, Height Adjustable Extended Electric	For 54"W Return, Includes Depth of Adjoining Top	15"	54"	YBTREX54	\$2,189.
	For 57"W Return, Includes Depth of Adjoining Top	15"	57"	YBTREX57	2,194.
	For 60"W Return, Includes Depth of Adjoining Top	15"	60"	YBTREX60	2,204.
	For 63"W Return, Includes Depth of Adjoining Top	15"	63"	YBTREX63	2,215.
	For 66"W Return, Includes Depth of Adjoining Top	15"	66"	YBTREX66	2,220.
	For 69"W Return, Includes Depth of Adjoining Top	15"	69"	YBTREX69	2,225.
	For 72"W Return, Includes Depth of Adjoining Top	15"	72"	YBTREX72	2,235.
	For 75"W Return, Includes Depth of Adjoining Top	15"	75"	YBTREX75	2,240.
	For 78"W Return, Includes Depth of Adjoining Top	15"	78"	YBTREX78	2,245.
	For 81"W Return, Includes Depth of Adjoining Top	15"	81"	YBTREX81	2,256.
	For 84"W Return, Includes Depth of Adjoining Top	15"	84"	YBTREX84	2,261.
	For 87"W Return, Includes Depth of Adjoining Top	15"	87"	YBTREX87	2,263.
	For 90"W Return, Includes Depth of Adjoining Top	15"	90"	YBTREX90	2,266.
	For 93"W Return, Includes Depth of Adjoining Top	15"	93"	YBTREX93	2,276.
	For 96"W Return, Includes Depth of Adjoining Top	15"	96"	YBTREX96	2,292.
For 99"W Return, Includes Depth of Adjoining Top	15"	99"	YBTREX99	2,294.	
For 102"W Return, Includes Depth of Adjoining Top	15"	102"	YBTREX102	2,297.	

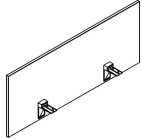
Antenna Telescope

Ordering Information	Order Code	Included With	Options
Antenna Telescope Return Bases 1. Pattern Number 2. Base Paint Finish	Antenna Telescope Return Bases <i>Example:</i> YBTREX60, 118T YBTR Antenna Telescope Return Base EX Extended Electric 60 Depth 118T Bright White Paint	Antenna Telescope Return Bases Column Rails Connecting Hardware	Antenna Telescope Return Bases

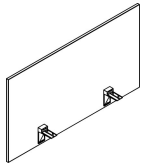
Fabric

For 42" and 49" High Horizon

description	w	d	h	pattern no.	10	20	30	40	45
Fabric Screens with Partial Modesty For Telescope Dual Tables, 42"H Horizon	47"	1 1/4"	20"	YPSB2047F	\$803.	\$844.	\$884.	\$924.	\$964.
	53"	1 1/4"	20"	YPSB2053F	863.	906.	948.	993.	1,035.
	59"	1 1/4"	20"	YPSB2059F	916.	962.	1,008.	1,054.	1,099.
	65"	1 1/4"	20"	YPSB2065FRR	958.	1,006.	1,054.	1,101.	1,148.
	71"	1 1/4"	20"	YPSB2071FRR	987.	1,036.	1,087.	1,134.	1,185.
	77"	1 1/4"	20"	YPSB2077FRR	1,065.	1,119.	1,171.	1,225.	1,278.
	83"	1 1/4"	20"	YPSB2083FRR	1,151.	1,208.	1,266.	1,324.	1,380.



Fabric Screens with Partial Modesty For Telescope Dual Tables, 49"H Horizon	47"	1 1/4"	26"	YPSB2647F	939.	987.	1,033.	1,080.	1,128.
	53"	1 1/4"	26"	YPSB2653F	1,005.	1,056.	1,104.	1,155.	1,207.
	59"	1 1/4"	26"	YPSB2659F	1,048.	1,098.	1,151.	1,204.	1,256.
	65"	1 1/4"	26"	YPSB2665FRR	1,094.	1,147.	1,204.	1,258.	1,311.
	71"	1 1/4"	26"	YPSB2671FRR	1,141.	1,196.	1,256.	1,311.	1,369.
	77"	1 1/4"	26"	YPSB2677FRR	1,233.	1,295.	1,355.	1,417.	1,479.
	83"	1 1/4"	26"	YPSB2683FRR	1,331.	1,398.	1,465.	1,531.	1,598.



Ordering Information

Desk Screens

1. Pattern Number
2. Inside Fabric Finish
3. Outside Fabric Finish
4. Frame Paint Finish
5. Bracket Paint Finish

Order Code

Desk Screens

Example: **YPSB2047F, W351, W351, 118T**

YPSB	Desk Screen
20	Height
47	Width
F	Fabric
W351	Foundation
W351	Foundation
118T	Bright White Paint
118T	Bright White Paint

Included With

Desk Screens

Brackets
Hardware

Options

Desk Screens

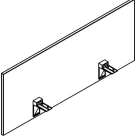
The price of screens specified with a combination of fabrics is the higher of the two fabric grades.

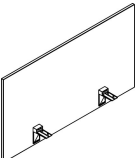
(RR) Fabric is applied railroaded.

Desk Screens for Telescope Dual Tables

Laminate, Markerboard or Veneer

For 42" and 49" High Horizon

description	w	d	h	pattern no.	Laminate (L)	Laminate (LM)	V1 (V)	V2 (V)	V3 (V)
Screens with Partial Modesty For Telescope Dual Tables, 42"H Horizon	47"	3/4"	20"	YPSB2047()	\$397.	\$613.	\$613.	\$705.	\$914.
	53"	3/4"	20"	YPSB2053()	405.	634.	634.	730.	948.
	59"	3/4"	20"	YPSB2059()	410.	686.	686.	789.	1,027.
	65"	3/4"	20"	YPSB2065()	417.	717.	717.	825.	1,071.
	71"	3/4"	20"	YPSB2071()	423.	741.	741.	851.	1,104.
	77"	3/4"	20"	YPSB2077()	466.	777.	777.	894.	1,162.
	83"	3/4"	20"	YPSB2083()	512.	816.	816.	938.	1,220.

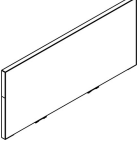
Screens with Partial Modesty For Telescope Dual Tables, 49"H Horizon	47"	3/4"	26"	YPSB2647()	397.	712.	712.	819.	1,064.
	53"	3/4"	26"	YPSB2653()	405.	742.	742.	851.	1,106.
	59"	3/4"	26"	YPSB2659()	410.	825.	825.	948.	1,232.
	65"	3/4"	26"	YPSB2665()	417.	854.	854.	982.	1,277.
	71"	3/4"	26"	YPSB2671()	534.	884.	884.	1,017.	1,321.
	77"	3/4"	26"	YPSB2677()	587.	928.	928.	1,067.	1,387.
	83"	3/4"	26"	YPSB2683()	646.	974.	974.	1,121.	1,456.

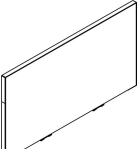
Antenna Telescope

Ordering Information	Order Code	Included With	Options
Desk Screens	Desk Screens	Desk Screens	Desk Screens
1. Pattern Number	<i>Example:</i> YPSB2047V, V316,	Brackets	Finish Options:
2. Inside Fabric Finish	118T	Hardware	(L) = Laminate
3. Outside Fabric Finish	YPSB Desk Screen		(LM) = Markerboard
4. Frame Paint Finish	20 Height		(V) = Veneer
5. Bracket Paint Finish	47 Width		
	V Veneer		
	V316 Maple		
	118T Bright White Paint		

Fabric

For 42" High Horizon

description	w	d	h	pattern no.	10	20	30	40	45
Fabric Screens For Telescope Dual Table Beam, Standard Height Range, 42" High Horizon 	48"	1 1/4"	22"	YPSCT2248F	\$934.	\$981.	\$1,027.	\$1,074.	\$1,121.
	54"	1 1/4"	22"	YPSCT2254F	951.	998.	1,045.	1,093.	1,140.
	60"	1 1/4"	22"	YPSCT2260F	971.	1,020.	1,069.	1,118.	1,166.
	66"	1 1/4"	22"	YPSCT2266FRR	1,167.	1,226.	1,283.	1,342.	1,401.
	72"	1 1/4"	22"	YPSCT2272FRR	1,215.	1,276.	1,337.	1,398.	1,458.
	78"	1 1/4"	22"	YPSCT2278FRR	1,262.	1,325.	1,388.	1,451.	1,514.
	84"	1 1/4"	22"	YPSCT2284FRR	1,321.	1,387.	1,453.	1,520.	1,586.

Fabric Screens For Telescope Dual Table Beam, Extended Height Range, 42" High Horizon 	48"	1 1/4"	26"	YPSCT2648F	989.	1,038.	1,088.	1,137.	1,187.
	54"	1 1/4"	26"	YPSCT2654F	1,005.	1,056.	1,106.	1,157.	1,207.
	60"	1 1/4"	26"	YPSCT2660F	1,033.	1,085.	1,136.	1,188.	1,239.
	66"	1 1/4"	26"	YPSCT2666FRR	1,177.	1,236.	1,295.	1,353.	1,413.
	72"	1 1/4"	26"	YPSCT2672FRR	1,255.	1,317.	1,380.	1,443.	1,506.
	78"	1 1/4"	26"	YPSCT2678FRR	1,314.	1,380.	1,446.	1,512.	1,578.
	84"	1 1/4"	26"	YPSCT2684FRR	1,400.	1,470.	1,540.	1,610.	1,680.

Ordering Information

Center Screens

1. Pattern Number
2. Inside Fabric Finish
3. Outside Fabric Finish
4. Frame Paint Finish

Order Code

Center Screens

Example: **YPSCT2248F, W351, W351, 118T**

YPSCT Telescope Center Screen

22 Height

48 Width

F Fabric

W351 Foundation

W351 Foundation

118T Bright White Paint

118T Bright White Paint

Included With

Center Screens

Brackets
Hardware

Options

Center Screens

The price of screens specified with a combination of fabrics is the higher of the two fabric grades.

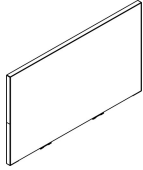
(RR) Fabric is applied railroaded

Center Screens for Telescope Dual Tables

Fabric

For 49" High Horizon

description	w	d	h	pattern no.	10	20	30	40	45
Fabric Screens For Telescope Dual Table Beam, Standard Height Range, 49" High Horizon	48"	1 1/4"	29"	YPSCT2948F	\$996.	\$1,046.	\$1,096.	\$1,145.	\$1,196.
	54"	1 1/4"	29"	YPSCT2954F	1,040.	1,092.	1,144.	1,196.	1,248.
	60"	1 1/4"	29"	YPSCT2960F	1,045.	1,098.	1,151.	1,202.	1,255.
	66"	1 1/4"	29"	YPSCT2966FRR	1,234.	1,296.	1,358.	1,419.	1,481.
	72"	1 1/4"	29"	YPSCT2972FRR	1,262.	1,325.	1,388.	1,451.	1,514.
	78"	1 1/4"	29"	YPSCT2978FRR	1,379.	1,448.	1,517.	1,586.	1,655.
	84"	1 1/4"	29"	YPSCT2984FRR	1,416.	1,487.	1,558.	1,628.	1,700.



Ordering Information

Center Screens

1. Pattern Number
2. Inside Fabric Finish
3. Outside Fabric Finish
4. Frame Paint Finish

Order Code

Center Screens

Example: **YPSCT2248F, W351, W351, 118T**

YPSCT	Telescope Center Screen
22	Height
48	Width
F	Fabric
W351	Foundation
W351	Foundation
118T	Bright White Paint
118T	Bright White Paint

Included With

Desk Screens

Brackets
Hardware

Options

Center Screens

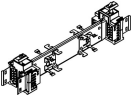
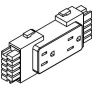
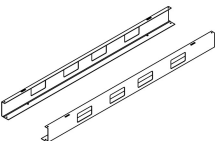
The price of screens specified with a combination of fabrics is the higher of the two fabric grades.

(RR) Fabric is applied railroaded

Telescope Power and Cable Management

Electrical Components for Telescope Dual Tables

2 + 2 and 3 + 3 Electrical Systems

description	type	w	d	h	pattern no.	list
	2+2, (2) Duplex Outlets per Side	12"	2"	2"	YRPHE12	\$184.
	2+2, (4) Duplex Outlets per Side	24"	2"	2"	YRPHE24	335.
	3+3, (2) Duplex Outlets per Side	12"	2"	2"	YRPHT12	210.
	3+3, (4) Duplex Outlets per Side	24"	2"	2"	YRPHT24	403.
Communications Mounting Box	Below Desk or Big Table				YR1CMB	41.
	Circuit A, black	1 1/2"	1"	4 1/2"	YR1DA	42.
	Circuit B, black	1 1/2"	1"	4 1/2"	YR1DB	42.
	Circuit C, black	1 1/2"	1"	4 1/2"	YR1DC	42.
	Circuit X, black	1 1/2"	1"	4 1/2"	YR1DX	42.
	Circuit X, black with orange triangle	1 1/2"	1"	4 1/2"	YR1DXT	42.
	Circuit X, orange	1 1/2"	1"	4 1/2"	YR1DXO	42.
	Circuit Y, black	1 1/2"	1"	4 1/2"	YR1DY	42.
	Circuit Y, black with orange triangle	1 1/2"	1"	4 1/2"	YR1DYT	42.
	Circuit Y, orange	1 1/2"	1"	4 1/2"	YR1DYO	42.
	Circuit Z, black	1 1/2"	1"	4 1/2"	YR1DZ	42.
	Circuit Z, black with orange triangle	1 1/2"	1"	4 1/2"	YR1DZT	42.
	Circuit Z, orange	1 1/2"	1"	4 1/2"	YR1DZO	42.
	Outlet Fillers	Package of 10	1 1/4"	1/4"	2 1/2"	YROF
	For 12" wide power harness, outlets both sides	18"	3"	3"	YR1C18D	100.
	For 12" wide power harness, outlets one side	18"	3"	3"	YR1C18S	100.
	For 24" wide power harness, outlets both sides	30"	3"	3"	YR1C30D	118.
	For 24" wide power harness, outlets one side	30"	3"	3"	YR1C30S	118.

Ordering Information

Electrical Components

1. Pattern Number

Mounting Brackets

1. Pattern Number
2. Paint Finish

Raceway Covers/End Caps

1. Pattern Number
2. Paint Finish

Communication Mounting Box

1. Pattern Number
2. Paint Finish

Order Code

Electrical Components

Example: **YRPHT12**

YRPHT Power Harness

12 Width

Raceway Covers

Example: **YRC18D, 118T**

YRC Raceway Covers

18 Width

D Outlets Both Sides

118T Bright White Paint

Included With

Power Harness
Center Beam Attachment

Mounting Brackets
Attachment Hardware

Communication Mounting Box
Attachment Hardware

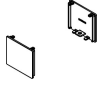
Electrical Components

Telescope Power and Cable Management

Electrical Components for Telescope Dual Tables

2 + 2 and 3 + 3 Electrical Systems

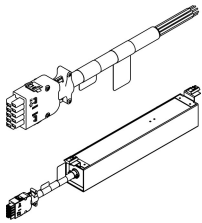
description	type	w	d	h	pattern no.	list
Raceway End Cap	Package of 2	3/8"	3"	3"	YRCE	\$18.



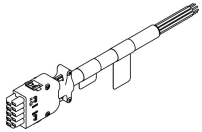
Covers for Exposed End of Power Harness	Package of 10	1"	1"	2"	YR1CP	188.
---	---------------	----	----	----	--------------	------



Infeeds	2+2 Hardwire Infeed for New York City	85"	2 1/8"	2 3/8"	YR1EPNY	449.
	2+2 Modular Base Infeed	85"	2 1/8"	2 3/8"	YR1EDPI	204.
	3+3 Hardwire Infeed for New York City	85"	2 1/8"	2 3/8"	YR1TPNY	473.
	3+3 Modular Base Infeed	85"	2 1/8"	2 3/8"	YR1TDPI	236.



Ceiling infeed passing through Interpole to Antenna desk, Big Table or Fence	2+2				YR1EPIC12	446.
	2+2				YR1EPIC20	811.
	3+3				YR1TPIC12	482.
	3+3				YR1TPIC20	850.

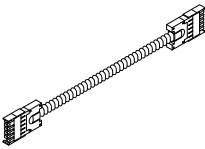
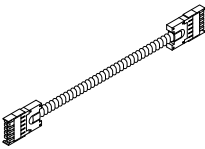


Ordering Information	Order Code	Included With
Electrical Components	Electrical Components	Power Harness
1. Pattern Number	<i>Example:</i> YRPHT12	Center Beam Attachment
Mounting Brackets	YRPHT Power Harness	Mounting Brackets
1. Pattern Number	12 Width	Attachment Hardware
2. Paint Finish	Raceway Covers	Communication Mounting Box
Raceway Covers/End Caps	<i>Example:</i> YRC18D, 118T	Attachment Hardware
1. Pattern Number	YRC Raceway Covers	
2. Paint Finish	18 Width	
Communication Mounting Box	D Outlets Both Sides	
1. Pattern Number	118T Bright White Paint	
2. Paint Finish		

Telescope Power and Cable Management

Electrical Components for Telescope Dual Tables

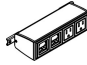
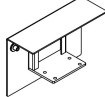
2 + 2 and 3 + 3 Electrical Systems

description	type	w	d	h	pattern no.	list
 <p>Jumper Cable, 2+2</p>	For 12" between power harnesses	12"	1"	1"	YR1EJ12	\$107.
	For 18" between power harnesses	18"	1"	1"	YR1EJ18	116.
	For 24" between power harnesses	24"	1"	1"	YR1EJ24	123.
	For 30" between power harnesses	30"	1"	1"	YR1EJ30	131.
	For 36" between power harnesses	36"	1"	1"	YR1EJ36	138.
	For 42" between power harnesses	42"	1"	1"	YR1EJ42	153.
	For 48" between power harnesses	48"	1"	1"	YR1EJ48	160.
	For 54" between power harnesses	54"	1"	1"	YR1EJ54	166.
	For 60" between power harnesses	60"	1"	1"	YR1EJ60	176.
	For 66" between power harnesses	66"	1"	1"	YR1EJ66	184.
	For 72" between power harnesses	72"	1"	1"	YR1EJ72	193.
 <p>Jumper Cable, 3+3</p>	For adjacent power harnesses	07"	1"	1"	YR1TJ7	183.
	For 12" between power harnesses	12"	1"	1"	YR1TJ12	138.
	For 18" between power harnesses	18"	1"	1"	YR1TJ18	151.
	For 24" between power harnesses	24"	1"	1"	YR1TJ24	160.
	For 30" between power harnesses	30"	1"	1"	YR1TJ30	169.
	For 36" between power harnesses	36"	1"	1"	YR1TJ36	180.
	For 42" between power harnesses	42"	1"	1"	YR1TJ42	199.
	For 48" between power harnesses	48"	1"	1"	YR1TJ48	208.
	For 54" between power harnesses	54"	1"	1"	YR1TJ54	215.
	For 60" between power harnesses	60"	1"	1"	YR1TJ60	229.
	For 66" between power harnesses	66"	1"	1"	YR1TJ66	240.
		For 72" between power harnesses	72"	1"	1"	YR1TJ72

Ordering Information	Order Code	Included With	Options
Electrical Components	Electrical Components	Power Harness	Electrical Components
1. Pattern Number	<i>Example:</i> YRPHT12	Center Beam Attachment	
Mounting Brackets	YRPHT Power Harness	Mounting Brackets	
1. Pattern Number	12 Width	Attachment Hardware	
2. Paint Finish	Raceway Covers	Communication Mounting Box	
Raceway Covers/End Caps	<i>Example:</i> YRC18D, 118T	Attachment Hardware	
1. Pattern Number	YRC Raceway Covers		
2. Paint Finish	18 Width		
Communication Mounting Box	D Outlets Both Sides		
1. Pattern Number	118T Bright White Paint		
2. Paint Finish			

Desktop Outlet Center

Four or Six Positions



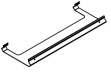

description	type	w	d	h	pattern no.	list
 Desktop Outlet Center	4 Positions (1, 2-port USB and 3 Power), 10' Cordset	6 1/2"	2 1/2"	2"	YR1DOC4U3C10N	\$677.
	4 Positions (1, 2-port USB and 3 Power), 6' Cordset	6 1/2"	2 1/2"	2"	YR1DOC4U3C6N	644.
	4 Positions (1, 2-port USB and 3 Power), 6' Hardwire	6 1/2"	2 1/2"	2"	YR1DOC4U3H6N	695.
	4 Positions (2 Data and 2 Power), 10' Cordset	6 1/2"	2 1/2"	2"	YR1DOC422C10N	497.
	4 Positions (2 Data and 2 Power), 6' Cordset	6 1/2"	2 1/2"	2"	YR1DOC422C6N	461.
	4 Positions (2 Data and 2 Power), 6' Hardwire	6 1/2"	2 1/2"	2"	YR1DOC422H6N	508.
	6 Positions (3 Data and 3 Power), 10' Cordset	9 1/2"	2 1/2"	2"	YR1DOC633C10N	621.
	6 Positions (3 Data and 3 Power), 6' Cordset	9 1/2"	2 1/2"	2"	YR1DOC633C6N	586.
	6 Positions (3 Data and 3 Power), 6' Hardwire	9 1/2"	2 1/2"	2"	YR1DOC633H6N	632.
	6 Positions (4 Data and 2 Power), 10' Cordset	9 1/2"	2 1/2"	2"	YR1DOC642C10N	596.
	6 Positions (4 Data and 2 Power), 6' Cordset	9 1/2"	2 1/2"	2"	YR1DOC642C6N	560.
	6 Positions (4 Data and 2 Power), 6' Hardwire	9 1/2"	2 1/2"	2"	YR1DOC642H6N	608.
	 Desk Mount Outlet Center Shroud	For 4 Position Desktop Outlet Center	8"	3"	6"	YR1DM4
For 6 Position Desktop Outlet Center		11"	3"	6"	YR1DM6	237.

Antenna Telescope

Ordering Information	Order Code	Included With	Options
Desktop Outlet Center 1. Pattern Number	Desktop Outlet Center <i>Example:</i> YR1DOC422C10N YR1DOC Desktop Outlet Center 4 Positions 2 Data 2 Power C10 10' Cordset N No finish	Desktop Outlet Center Desk Mount Shroud Attachment Hardware	Desktop Outlet Center Desk Mount Shroud
Desk Mount Shroud 1. Pattern Number 2. Paint Finish	Desk Mount Shroud <i>Example:</i> YR1DM4, 118T YR1DM Desk Shroud 4 Positions 118T Bright White Paint		

Telescope Power and Cable Management

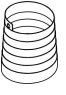

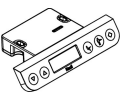
Power Strip, Cleat Plate and Cleat Plate Cover

description	type	w	d	h	pattern no.	list
Power Strip 	For Telescope Dual Table	24"	1 1/2"	1 1/2"	YR1TPS24	\$386.
Cleat Plate 	For Telescope Dual Table	25"	3 3/4"	2 1/4"	YR1TCP	121.
Cleat Plate Cover 	For 48"W Telescope Dual Table	27 1/2"	10 1/2"	2 1/8"	YR1TCPC28	118.
	For 54" - 84"W Telescope Dual Tables	30"	10 1/2"	2 1/8"	YR1TCPC30	118.
Z-Manager 	For Telescope Extended Electric Height Range				YR1TZEX	155.
	For Telescope Standard Electric Height Range				YR1TZES	149.

Ordering Information	Order Code	Included With	Options
Telescope Power Strip 1. Pattern Number 2. Bracket Paint Finish	Telescope Power Strip <i>Example:</i> YR1TPS24, 118T YR1TPS Telescope Power Strip 24 Width 118T Bright White Textured Paint	Telescope Power Strip Brackets Attachment Hardware Cleat Plate Wood Screws	Telescope Power Strip
Cleat Plate 1. Pattern Number			
Cleat Plate Cover 1. Pattern Number 2. Paint Finish			

Telescope Accessories

Telescope Accessories

description	type	w	d	h	pattern no.	list
Helical Glide Shroud 	For Telescope Dual Table	2 1/8"	2 1/8"	2 3/4"	YBTHS	\$52.
Figure-8 Column Connector (pair) 	For Telescope Dual Table	10 3/5"	2 3/4"	1/8"	YBTF8	116.
Digital Control Switch 	For Telescope Dual Table				YB2DPD	337.

Ordering Information	Order Code	Included With	Options
Helical Glide Shroud	Helical Glide Shroud		
1. Pattern Number	<i>Example:</i> YBTHS		
Figure-8 Column Connector	YBT	Antenna Telescope	
1. Top Finish Type	HS	Helical Glide Shroud	
2. Paint Finish			

Alpha-Numeric Index

<i>pattern no.</i>	<i>page</i>	<i>pattern no.</i>	<i>page</i>	<i>pattern no.</i>	<i>page</i>	<i>pattern no.</i>	<i>page</i>
ACT-CUP-IP	302	IPSC2436(N/T)LF	308	IPSC4842(N/T)LL	311	IPSOB5415	319
ARIEPIC	299	IPSC2436(N/T)LL	307	IPSC4848(N/T)GG	311	IPSOB6015	319
AR1TPIC	299	IPSC2442(N/T)GG	307	IPSC4848(N/T)GT	311	IPSOB6615	319
DE18CII44	299	IPSC2442(N/T)GT	307	IPSC4848(N/T)LF	312	IPSOB7215	319
DE1ECII44	299	IPSC2442(N/T)LF	308	IPSC4848(N/T)LL	311	IPSOE3615	319
DE1TCII44	299	IPSC2442(N/T)LL	307	IPSC4854(N/T)GG	311	IPSOE4215	319
IPACPU	302	IPSC2448(N/T)GG	307	IPSC4854(N/T)GT	311	IPSOE4815	319
IPAVESA	302	IPSC2448(N/T)GT	307	IPSC4854(N/T)LF	312	IPSOE5415	319
IPBH	302	IPSC2448(N/T)LF	308	IPSC4854(N/T)LL	311	IPSOE6015	319
IPCC10	301	IPSC2448(N/T)LL	307	IPSC4860(N/T)GG	311	IPSOE6615	319
IPCH	302	IPSC2454(N/T)GG	307	IPSC4860(N/T)GT	311	IPSOE7215	319
IPCS1212	302	IPSC2454(N/T)GT	307	IPSC4860(N/T)LF	312	IPSOE83615	319
IPCT	301	IPSC2454(N/T)LF	308	IPSC4860(N/T)LL	311	IPSOE94215	319
IPEL	297	IPSC2454(N/T)LL	307	IPSC4866(N/T)GG	311	IPSOE94815	319
IPESCNN47	294	IPSC2460(N/T)GG	307	IPSC4866(N/T)GT	311	IPSOE95415	319
IPEX	301	IPSC2460(N/T)GT	307	IPSC4866(N/T)LF	312	IPSOE96015	319
IPOC12	301	IPSC2460(N/T)LF	308	IPSC4866(N/T)LL	311	IPSOE96615	319
IPOC6	301	IPSC2460(N/T)LL	307	IPSC4872(N/T)GG	311	IPSOE97215	319
IPPL30R	302	IPSC2466(N/T)GG	307	IPSC4872(N/T)GT	311	IPSOE93615	321
IPRC18	297	IPSC2466(N/T)GT	307	IPSC4872(N/T)LF	312	IPSOE94215	321
IPRC30	297	IPSC2466(N/T)LF	308	IPSC4872(N/T)LL	311	IPSOE94815	321
IPRC42	297	IPSC2466(N/T)LL	307	IPSC6436(N/T)GG	313	IPSOE95415	321
IPRC6	297	IPSC2472(N/T)GG	307	IPSC6436(N/T)GT	313	IPSOE96015	321
IPRCF120	297	IPSC2472(N/T)GT	307	IPSC6436(N/T)LF	314	IPSOE96615	321
IPRCF180	297	IPSC2472(N/T)LF	308	IPSC6436(N/T)LL	313	IPSOE97215	321
IPRCF72	297	IPSC2472(N/T)LL	307	IPSC6442(N/T)GG	313	IPSOE9K36	321
IPRCF96	297	IPSC3236(N/T)GG	309	IPSC6442(N/T)GT	313	IPSOE9K42	321
IPRD1	297	IPSC3236(N/T)GT	309	IPSC6442(N/T)LF	314	IPSOE9K48	321
IPRD2	297	IPSC3236(N/T)LF	310	IPSC6442(N/T)LL	313	IPSOE9K54	321
IPROF	297	IPSC3236(N/T)LL	309	IPSC6448(N/T)GG	313	IPSOE9K60	321
IPRUSB	297	IPSC3242(N/T)GG	309	IPSC6448(N/T)GT	313	IPSOE9K66	321
IPSC1536(N/T)GG	305	IPSC3242(N/T)GT	309	IPSC6448(N/T)LF	314	IPSOE9K72	321
IPSC1536(N/T)GT	305	IPSC3242(N/T)LF	310	IPSC6448(N/T)LL	313	IPSOEL3615	320
IPSC1536(N/T)LF	306	IPSC3242(N/T)LL	309	IPSC6454(N/T)GG	313	IPSOEL4215	320
IPSC1536(N/T)LL	305	IPSC3248(N/T)GG	309	IPSC6454(N/T)GT	313	IPSOEL4815	320
IPSC1542(N/T)GG	305	IPSC3248(N/T)GT	309	IPSC6454(N/T)LF	314	IPSOEL5415	320
IPSC1542(N/T)GT	305	IPSC3248(N/T)LF	310	IPSC6454(N/T)LL	313	IPSOEL6015	320
IPSC1542(N/T)LF	306	IPSC3248(N/T)LL	309	IPSC6460(N/T)GG	313	IPSOEL6615	320
IPSC1542(N/T)LL	305	IPSC3254(N/T)GG	309	IPSC6460(N/T)GT	313	IPSOEL7215	320
IPSC1548(N/T)GG	305	IPSC3254(N/T)GT	309	IPSC6460(N/T)LF	314	IPSOER3615	320
IPSC1548(N/T)GT	305	IPSC3254(N/T)LF	310	IPSC6460(N/T)LL	313	IPSOER4215	320
IPSC1548(N/T)LF	306	IPSC3254(N/T)LL	309	IPSCHH144	295	IPSOER4815	320
IPSC1548(N/T)LL	305	IPSC3260(N/T)GG	309	IPSCLL144	295	IPSOER5415	320
IPSC1554(N/T)GG	305	IPSC3260(N/T)GT	309	IPSCMM144	295	IPSOER6015	320
IPSC1554(N/T)GT	305	IPSC3260(N/T)LF	310	IPSCNG144	294	IPSOER6615	320
IPSC1554(N/T)LF	306	IPSC3260(N/T)LL	309	IPSCNH144	295	IPSOER7215	320
IPSC1554(N/T)LL	305	IPSC3266(N/T)GG	309	IPSCNL144	295	IPSSDKL36	322
IPSC1560(N/T)GG	305	IPSC3266(N/T)GT	309	IPSCNM144	295	IPSSDKL42	322
IPSC1560(N/T)GT	305	IPSC3266(N/T)LF	310	IPSCNN144	294	IPSSDKL48	322
IPSC1560(N/T)LF	306	IPSC3266(N/T)LL	309	IPSI1536F	325	IPSSDKL54	322
IPSC1560(N/T)LL	305	IPSC3272(N/T)GG	309	IPSI1542F	325	IPSSDKL60	322
IPSC1566(N/T)GG	305	IPSC3272(N/T)GT	309	IPSI1548F	325	IPSSDKL66	322
IPSC1566(N/T)GT	305	IPSC3272(N/T)LF	310	IPSI1554F	325	IPSSDKL72	322
IPSC1566(N/T)LF	306	IPSC3272(N/T)LL	309	IPSI1560F	325	IPSSDKR36	323
IPSC1566(N/T)LL	305	IPSC4836(N/T)GG	311	IPSI1566F	325	IPSSDKR42	323
IPSC1572(N/T)GG	305	IPSC4836(N/T)GT	311	IPSI1572F	325	IPSSDKR48	323
IPSC1572(N/T)GT	305	IPSC4836(N/T)LF	312	IPSI6415F	332	IPSSDKR54	323
IPSC1572(N/T)LF	306	IPSC4836(N/T)LL	311	IPSN144	294	IPSSDKR60	323
IPSC1572(N/T)LL	305	IPSC4842(N/T)GG	311	IPSOB3615	319	IPSSDKR66	323
IPSC2436(N/T)GG	307	IPSC4842(N/T)GT	311	IPSOB4215	319	IPSSDKR72	323
IPSC2436(N/T)GT	307	IPSC4842(N/T)LF	312	IPSOB4815	319	IPSSDL3615	322

<i>pattern no.</i>	<i>page</i>	<i>pattern no.</i>	<i>page</i>	<i>pattern no.</i>	<i>page</i>	<i>pattern no.</i>	<i>page</i>
IPSSDL4215	322	YBRB75	84	YBRS93	79	YBTEXBNE48	352
IPSSDL4815	322	YBRB81	84	YBRT105	79	YBTEXBNE54	352
IPSSDL5415	322	YBRB87	84	YBRT111	79	YBTEXBNE60	352
IPSSDL6015	322	YBRB93	84	YBRT33	79	YBTEXBNE66	352
IPSSDL6615	322	YBRBTE48	81	YBRT39	79	YBTEXBNE72	352
IPSSDL7215	322	YBRBTE54	81	YBRT45	79	YBTEXBNE78	352
IPSSDR3615	323	YBRBTE60	81	YBRT51	79	YBTEXBNE84	352
IPSSDR4215	323	YBRBTE66	81	YBRT57	79	YBTEXBNI48	352
IPSSDR4815	323	YBRBTE72	81	YBRT63	79	YBTEXBNI54	352
IPSSDR5415	323	YBRBTE78	81	YBRT69	79	YBTEXBNI60	352
IPSSDR6015	323	YBRBTE84	81	YBRT75	79	YBTEXBNI66	352
IPSSDR6615	323	YBRBTE90	81	YBRT81	79	YBTEXBNI72	352
IPSSDR7215	323	YBRBTE96	81	YBRT87	79	YBTEXBNI78	352
IPVDL1564L	329	YBRBTS45	81	YBRT93	79	YBTEXBNI84	352
IPVDL1564R	329	YBRBTS51	81	YBRT99	79	YBTEXBNS48	352
IPVDL1564L	329	YBRBTS57	81	YBTE	86, 241	YBTEXBNS54	352
IPVDL1564R	329	YBRBTS63	81	YBTESBNE48	349	YBTEXBNS60	352
IPVOS1564L	328	YBRBTS69	81	YBTESBNE54	349	YBTEXBNS66	352
IPVOS1564R	328	YBRBTS75	81	YBTESBNE60	349	YBTEXBNS72	352
IPSVWL1564L	330	YBRBTS81	81	YBTESBNE66	349	YBTEXBNS78	352
IPSVWL1564R	330	YBRBTS87	81	YBTESBNE72	349	YBTEXBNS84	352
IPSVWR1564L	330	YBRBTS93	81	YBTESBNE78	349	YBTEXBTE48	351
IPSVWR1564R	330	YBRE	91	YBTESBNE84	349	YBTEXBTE54	351
RR3EPVR	299	YBRE36	79	YBTESBNI48	349	YBTEXBTE60	351
RR3TPVR	299	YBRE42	79	YBTESBNI54	349	YBTEXBTE66	351
SISDDPS	130	YBRE48	79	YBTESBNI60	349	YBTEXBTE72	351
SISLC4	130	YBRE54	79	YBTESBNI66	349	YBTEXBTE78	351
YACPU	97	YBRE60	79	YBTESBNI72	349	YBTEXBTE84	351
YAK	97	YBRE66	79	YBTESBNI78	349	YBTEXBTI48	351
YAPTC	219, 224, 229	YBRE72	79	YBTESBNI84	349	YBTEXBTI54	351
YAPT	219, 224, 229	YBRE78	79	YBTESBNS48	349	YBTEXBTI60	351
YB2DPD	365	YBRE84	80	YBTESBNS54	349	YBTEXBTI66	351
YBAFE25	90	YBRE90	80	YBTESBNS60	349	YBTEXBTI72	351
YBAFE28	90	YBRE96	80	YBTESBNS66	349	YBTEXBTI78	351
YBATBT22	90	YBRR33	83	YBTESBNS72	349	YBTEXBTI84	351
YBATBT25	90	YBRR36	83	YBTESBNS78	349	YBTEXBTS48	351
YBATE22	90	YBRR39	83	YBTESBNS84	349	YBTEXBTS54	351
YBATE25	90, 218	YBRR42	83	YBTESBTE48	348	YBTEXBTS60	351
YBATE28	90	YBRR45	83	YBTESBTE54	348	YBTEXBTS66	351
YBAW25	90, 222	YBRR48	83	YBTESBTE60	348	YBTEXBTS72	351
YBCDE	86, 238	YBRR51	83	YBTESBTE66	348	YBTEXBTS78	351
YBCRR	91	YBRR54	83	YBTESBTE72	348	YBTEXBTS84	351
YBCWS	91	YBRR57	83	YBTESBTE78	348	YBTESNNS48	353
YBF	91	YBRR60	83	YBTESBTE84	348	YBTESNNS54	353
YBIG	150	YBRR63	83	YBTESBTI48	348	YBTESNNS60	353
YBPSSB2748	136	YBRR66	83	YBTESBTI54	348	YBTESNNS66	353
YBPSSB2754	136	YBRR69	83	YBTESBTI60	348	YBTESNNS72	353
YBPSSB2760	136	YBRR72	83	YBTESBTI66	348	YBTESNNS78	353
YBPSSB2766	136	YBRR75	83	YBTESBTI72	348	YBTESNNS84	353
YBPSSB2772	136	YBRR78	83	YBTESBTI78	348	YBTF8	365
YBPSSB2778	136	YBRR81	83	YBTESBTI84	348	YBTHS	365
YBPSSB2784	136	YBRR84	83	YBTESBTS48	348	YBTRES102	354
YBPSSF2748	135	YBRR87	83	YBTESBTS54	348	YBTRES54	354
YBPSSF2754	135	YBRR90	83	YBTESBTS60	348	YBTRES57	354
YBPSSF2760	135	YBRR93	83	YBTESBTS66	348	YBTRES60	354
YBPSSF2766	135	YBRS33	79	YBTESBTS72	348	YBTRES63	354
YBPSSF2772	135	YBRS39	79	YBTESBTS78	348	YBTRES66	354
YBPSSF2778	135	YBRS45	79	YBTESBTS84	348	YBTRES69	354
YBPSSF2784	135	YBRS51	79	YBTESNNS48	350	YBTRES72	354
YBRB39	84	YBRS57	79	YBTESNNS54	350	YBTRES75	354
YBRB45	84	YBRS63	79	YBTESNNS60	350	YBTRES78	354
YBRB51	84	YBRS69	79	YBTESNNS66	350	YBTRES81	354
YBRB57	84	YBRS75	79	YBTESNNS72	350	YBTRES84	354
YBRB63	84	YBRS81	79	YBTESNNS78	350	YBTRES87	354
YBRB69	84	YBRS87	79	YBTESNNS84	350	YBTRES90	354

<i>pattern no.</i>	<i>page</i>	<i>pattern no.</i>	<i>page</i>	<i>pattern no.</i>	<i>page</i>	<i>pattern no.</i>	<i>page</i>
YBTRES93	354	YEL2SSDB28R	124	YELSCD27	106	YEP2718	140
YBTRES96	354	YEL2SSDB34L	124	YELSCD30	106	YEP2723	140
YBTRES99	354	YEL2SSDB34R	124	YELSCD36	106	YEP2724	140
YBTREX102	355	YELA18	103	YELSCD42	106	YEP2726	140
YBTREX54	355	YELA24	103	YELSCD48	106	YEP2727	140
YBTREX57	355	YELA27	103	YELSD18	106	YEP2729	140
YBTREX60	355	YELA30	103	YELSD24	106	YEP2730	140
YBTREX63	355	YELA36	103	YELSD27	106	YEP2735	140
YBTREX66	355	YELA42	103	YELSD30	106	YEP2736	140
YBTREX69	355	YELCD18	103	YELSD36	106	YEP2841	144
YBTREX72	355	YELCD24	103	YELSD42	106	YEP2853	144
YBTREX75	355	YELCD27	103	YELSD48	106	YEP2859	144
YBTREX78	355	YELCD30	103	YELSSAF28L	127	YEP2865	144
YBTREX81	355	YELCD36	103	YELSSAF28R	127	YEP2877	144
YBTREX84	355	YELCM18	103	YELSSAF34L	127	YEP2SSB2825L	145
YBTREX87	355	YELCM24	103	YELSSAF34R	127	YEP2SSB2825R	145
YBTREX90	355	YELCM27	103	YELSSAF40L	127	YEP2SSB2831L	145
YBTREX93	355	YELCM30	103	YELSSAF40R	127	YEP2SSB2831R	145
YBTREX96	355	YELCM36	103	YELSSDF28L	126	YEP2SSB2834L	145
YBTREX99	355	YELD18	103	YELSSDF28R	126	YEP2SSB2834R	145
YCB36	93	YELD24	103	YELSSDF34L	126	YEP2SSB2837L	145
YCB42	93	YELD27	103	YELSSDF34R	126	YEP2SSB2837R	145
YCB48	93	YELD30	103	YELSSDF40L	126	YEP2SSB2843	145
YCB54	93	YELD36	103	YELSSDF40R	126	YEP4253	148
YCB60	93	YELD42	103	YEP1617	139	YEP4259	148
YCB66	93	YELDA18	108	YEP1618	139	YEP4265	148
YCB72	93	YELDA24	108	YEP1623	139	YEP4277	148
YCB78	93	YELDA27	108	YEP1624	139	YEP4953	148
YCB84	93	YELDA30	108	YEP1626	139	YEP4959	148
YCB90	93	YELDA36	108	YEP1627	139	YEP4965	148
YCB96	93	YELDA38	113	YEP1629	139	YEP4977	148
YCBCC24	93	YELDA50	113	YEP1630	139	YEP5653	148
YCBCC30	93	YELDA62	113	YEP1635	139	YEP5659	148
YCBCC36	93	YELDD18	108	YEP1636	139	YEP5665	148
YCBCC48	93	YELDD24	108	YEP1717	139	YEPH3641	146
YCBCC54	93	YELDD27	108	YEP1718	139	YEPH3653	146
YCBCC60	93	YELDD30	108	YEP1723	139	YEPH3659	146
YCBCC66	93	YELDD36	108	YEP1724	139	YEPH3665	146
YCBCC72	93	YELDD38	111	YEP1726	139	YEPSSF2831L	145
YCBCC78	93	YELDD50	111	YEP1727	139	YEPSSF2831R	145
YCBCC84	93	YELDD62	111	YEP1729	139	YEPSSF2837L	145
YCBCC90	93	YELDH38	116	YEP1730	139	YEPSSF2837R	145
YCBCC96	93	YELDH50	116	YEP1735	139	YEPSSF2840L	145
YCBE	94	YELDH50B	117	YEP1736	139	YEPSSF2840R	145
YCBPE	94	YELDHB	117	YEP1740	142	YEPSSF2843L	145
YCBT36	93	YELDT50	120	YEP1752	142	YEPSSF2843R	145
YCBT42	93	YELDT50B	121	YEP1758	142	YEPSSF2849L	145
YCBT48	93	YELDTB	121	YEP1764	142	YEPSSF2849R	145
YCBT54	93	YELH24	103	YEP1776	142	YEPT4253	146
YCBT60	93	YELH27	103	YEP2617	140	YEPT4259	146
YCBT66	93	YELH30	103	YEP2618	140	YEPT4265	146
YCBT72	93	YELH36	103	YEP2623	140	YFC0912C	181
YCBT78	93	YELH42	103	YEP2624	140	YFC0912L	183
YCBT84	93	YELP24	104	YEP2626	140	YFC0912P	182
YCBT90	93	YELP27	104	YEP2627	140	YFC0912S	181
YCBT96	93	YELP30	104	YEP2629	140	YFC0912V	184
YEL2SSAB22L	125	YELP36	104	YEP2630	140	YFC0924C	181
YEL2SSAB22R	125	YELSA18	106	YEP2635	140	YFC0924L	183
YEL2SSAB28L	125	YELSA24	106	YEP2636	140	YFC0924P	182
YEL2SSAB28R	125	YELSA27	106	YEP2640	142	YFC0924S	181
YEL2SSAB34L	125	YELSA30	106	YEP2652	142	YFC0924V	184
YEL2SSAB34R	125	YELSA36	106	YEP2658	142	YFC0936C	181
YEL2SSDB22L	124	YELSA42	106	YEP2664	142	YFC0936L	183
YEL2SSDB22R	124	YELSA48	106	YEP2676	142	YFC0936P	182
YEL2SSDB28L	124	YELSCD24	106	YEP2717	140	YFC0936S	181

<i>pattern no.</i>	<i>page</i>	<i>pattern no.</i>	<i>page</i>	<i>pattern no.</i>	<i>page</i>	<i>pattern no.</i>	<i>page</i>
YFC0936V	184	YFC2648NL	191	YILSSAF32	127	YKTS4218SDHN	335
YFC0948C	181	YFC2648NP	190	YILSSAF34	127	YKTS4218SDLN	335
YFC0948L	183	YFC2648NV	192	YILSSAF40	127	YKTS4224SDCN	336
YFC0948P	182	YFC2660NL	191	YILSSDF26	126	YKTS4224SDHN	336
YFC0948S	181	YFC2660NP	190	YILSSDF28	126	YKTS4224SDLN	336
YFC0948V	184	YFC2672NL	191	YILSSDF32	126	YKTS4227SDCN	337
YFC0960C	181	YFC2672NP	190	YILSSDF34	126	YKTS4227SDHN	337
YFC0960L	183	YFCC48	173	YILSSDF40	126	YKTS4227SDLN	337
YFC0960P	182	YFCC60	173	YKME4DA	38	YKTS4230SDCN	338
YFC0960S	181	YFCC72	173	YKME7854HE	38	YKTS4230SDHN	338
YFC0972C	181	YFCHOC	181	YKME7854NE	38	YKTS4230SDLN	338
YFC0972L	183	YFCOC	181	YKPTS3030D	33	YKTS4236SDCN	339
YFC0972P	182	YFF2148	171	YKPTS3030L	33	YKTS4236SDHN	339
YFC0972S	181	YFF2160	171	YKPTS3030M	33	YKTS4236SDLN	339
YFC1412L	187	YFF2172	171	YKPTS3636D	33	YKTS4242D	31
YFC1412P	186	YFJE25	173	YKPTS4242D	33	YKTS4242DGC	32
YFC1412V	188	YFJE28	173	YKPTS4824D	33	YKTS4242SDCN	340
YFC1424L	187	YFJL25	174	YKPTS4848D	33	YKTS4242SDHN	340
YFC1424P	186	YFJL28	174	YKPTS5427D	33	YKTS4242SDLN	340
YFC1424V	188	YFJT25	174	YKPTS6030D	33	YKTS4818SDCN	335
YFC1436L	187	YFJT28	174	YKPTS7236D	33	YKTS4818SDHN	335
YFC1436P	186	YFJV25	174	YKPTS8442D	33	YKTS4818SDLN	335
YFC1436V	188	YFJV28	174	YKTR36SDCN	341	YKTS4824D	31
YFC1448L	187	YFJX25	174	YKTR36SDHN	341	YKTS4824DGC	32
YFC1448P	186	YFJX28	174	YKTR36SDLN	341	YKTS4824SDCN	336
YFC1448V	188	YFJY25	174	YKTR36YDC	36	YKTS4824SDHN	336
YFC1460L	187	YFJY28	174	YKTR36YHG	36	YKTS4824SDLN	336
YFC1460P	186	YFL25	171	YKTR36YMG	36	YKTS4827SDCN	337
YFC1472L	187	YFL28	171	YKTR42D	31	YKTS4827SDHN	337
YFC1472P	186	YFLSF	171	YKTR42DGC	32	YKTS4827SDLN	337
YFC1712L	187	YFTC48	173	YKTR42L	31	YKTS4830SDCN	338
YFC1712P	186	YFTC60	173	YKTR42LG	32	YKTS4830SDHN	338
YFC1712V	188	YFTC72	173	YKTR42M	31	YKTS4830SDLN	338
YFC1724L	187	YIL2SSAB20	125	YKTR42MG	32	YKTS4836SDCN	339
YFC1724P	186	YIL2SSAB22	125	YKTR42SDCN	341	YKTS4836SDHN	339
YFC1724V	188	YIL2SSAB26	125	YKTR42SDHN	341	YKTS4836SDLN	339
YFC1736L	187	YIL2SSAB28	125	YKTR42SDLN	341	YKTS4848D	31
YFC1736P	186	YIL2SSAB34	125	YKTR42YDC	36	YKTS4848DGC	32
YFC1736V	188	YIL2SSDB20	124	YKTR42YMG	36	YKTS5418SDCN	335
YFC1748L	187	YIL2SSDB22	124	YKTR48D	31	YKTS5418SDHN	335
YFC1748P	186	YIL2SSDB26	124	YKTR48DGC	32	YKTS5418SDLN	335
YFC1748V	188	YIL2SSDB28	124	YKTS3030D	31	YKTS5424SDCN	336
YFC1760L	187	YIL2SSDB34	124	YKTS3030DGC	32	YKTS5424SDHN	336
YFC1760P	186	YILDA1	113	YKTS3030L	31	YKTS5424SDLN	336
YFC1772L	187	YILDA35	113	YKTS3030LGC	32	YKTS5427D	31
YFC1772P	186	YILDA38	113	YKTS3030M	31	YKTS5427DGC	32
YFC2324NL	191	YILDA48	113	YKTS3030MGC	32	YKTS5427SDCN	337
YFC2324NP	190	YILDA50	113	YKTS3618SDCN	335	YKTS5427SDHN	337
YFC2324NV	192	YILDA62	113	YKTS3618SDHN	335	YKTS5427SDLN	337
YFC2336NL	191	YILDAV20	113	YKTS3618SDLN	335	YKTS5430SDCN	338
YFC2336NP	190	YILDD1	112	YKTS3624SDCN	336	YKTS5430SDHN	338
YFC2336NV	192	YILDD35	111	YKTS3624SDHN	336	YKTS5430SDLN	338
YFC2348NL	191	YILDD38	111	YKTS3624SDLN	336	YKTS5436SDCN	339
YFC2348NP	190	YILDD48	111	YKTS3627SDCN	337	YKTS5436SDHN	339
YFC2348NV	192	YILDD50	111	YKTS3627SDHN	337	YKTS5436SDLN	339
YFC2360NL	191	YILDD62	111	YKTS3627SDLN	337	YKTS6018SDCN	335
YFC2360NP	190	YILDDV20	111	YKTS3630SDCN	338	YKTS6018SDHN	335
YFC2372NL	191	YILDH35	116	YKTS3630SDHN	338	YKTS6018SDLN	335
YFC2372NP	190	YILDH38	116	YKTS3630SDLN	338	YKTS6024SDCN	336
YFC2624NL	191	YILDH50	116	YKTS3636D	31	YKTS6024SDHN	336
YFC2624NP	190	YILDHB	116	YKTS3636DGC	32	YKTS6024SDLN	336
YFC2624NV	192	YILD35	120	YKTS3636SDCN	339, 340	YKTS6027SDCN	337
YFC2636NL	191	YILDTB	120	YKTS3636SDHN	339, 340	YKTS6027SDHN	337
YFC2636NP	190	YILSSAF26	127	YKTS3636SDLN	339, 340	YKTS6027SDLN	337
YFC2636NV	192	YILSSAF28	127	YKTS4218SDCN	335	YKTS6030D	31

<i>pattern no.</i>	<i>page</i>	<i>pattern no.</i>	<i>page</i>	<i>pattern no.</i>	<i>page</i>	<i>pattern no.</i>	<i>page</i>
YKTS6030DC	32	YKTS8430SDCN	338	YMPT1648	344	YP6018	63
YKTS6030SDCN	338	YKTS8430SDHN	338	YMPT1654	344	YP6024	63
YKTS6030SDHN	338	YKTS8430SDLN	338	YMPT1660	344	YP6027	64
YKTS6030SDLN	338	YKTS8436SDCN	339	YMPT1666	344	YP6030	64
YKTS6036SDCN	339	YKTS8436SDHN	339	YMPT1672	344	YP6036	65
YKTS6036SDHN	339	YKTS8436SDLN	339	YMPT1678	344	YP6048	65
YKTS6036SDLN	339	YKTS8442D	31	YMPT1684	344	YP6618	63
YKTS6618SDCN	335	YKTS8442DGC	32	YMPT1736	344	YP6624	63
YKTS6618SDHN	335	YKTS8442YDG	36	YMPT1742	344	YP6627	64
YKTS6618SDLN	335	YKTS8442YHG	36	YMPT1748	344	YP6630	64
YKTS6624SDCN	336	YKTT7236D	31	YMPT1754	344	YP6636	65
YKTS6624SDHN	336	YKTT7236DGC	32	YMPT1760	344	YP6648	65
YKTS6624SDLN	336	YKTT7236SDCN	342	YMPT1766	344	YP7218	63
YKTS6627SDCN	337	YKTT7236SDHN	342	YMPT1772	344	YP7224	63
YKTS6627SDHN	337	YKTT7236SDLN	342	YMPT1778	344	YP7227	64
YKTS6627SDLN	337	YKTT7236YDG	36	YMPT1784	344	YP7230	64
YKTS6630SDCN	338	YKTT7236YHG	36	YMPT2636	345	YP7236	65
YKTS6630SDHN	338	YKTT8442D	31	YMPT2642	345	YP7248	65
YKTS6630SDLN	338	YKTT8442DGC	32	YMPT2648	345	YP7818	63
YKTS6636SDCN	339	YKTT8442YDG	36	YMPT2654	345	YP7824	63
YKTS6636SDHN	339	YKTT8442YHG	36	YMPT2660	345	YP7827	64
YKTS6636SDLN	339	YKTT9648D	31	YMPT2666	345	YP7830	64
YKTS7218SDCN	335	YKTT9648DGC	32	YMPT2672	345	YP7836	65
YKTS7218SDHN	335	YL4L17	287	YMPT2678	345	YP7848	65
YKTS7218SDLN	335	YL4L31	287	YMPT2684	345	YP8418	63
YKTS7224SDCN	336	YL4L44	287	YMPT2736	345	YP8424	63
YKTS7224SDHN	336	YL4L58	287	YMPT2742	345	YP8427	64
YKTS7224SDLN	336	YMP1636	132	YMPT2748	345	YP8430	64
YKTS7227SDCN	337	YMP1642	132	YMPT2754	345	YP8436	65
YKTS7227SDHN	337	YMP1648	132	YMPT2760	345	YP8442	65
YKTS7227SDLN	337	YMP1654	132	YMPT2766	345	YP8448	65
YKTS7230SDCN	338	YMP1660	132	YMPT2772	345	YP9018	63
YKTS7230SDHN	338	YMP1666	132	YMPT2778	345	YP9024	63
YKTS7230SDLN	338	YMP1672	132	YMPT2784	345	YP9027	64
YKTS7236D	31	YMP1678	132	YP3018	63	YP9030	64
YKTS7236DC	32	YMP1684	132	YP3024	63	YP9036	65
YKTS7236SDCN	339	YMP1736	132	YP3027	64	YP9048	65
YKTS7236SDHN	339	YMP1742	132	YP3030	64	YP9618	63
YKTS7236SDLN	339	YMP1748	132	YP3036	65	YP9624	63
YKTS7236YDG	36	YMP1754	132	YP3048	65	YP9627	64
YKTS7236YHG	36	YMP1760	132	YP3618	63	YP9630	64
YKTS7818SDCN	335	YMP1766	132	YP3624	63	YP9636	65
YKTS7818SDHN	335	YMP1772	132	YP3627	64	YP9648	65
YKTS7818SDLN	335	YMP1778	132	YP3630	64	YPB3018	66
YKTS7824SDCN	336	YMP1784	132	YP3636	65	YPB3024	66
YKTS7824SDHN	336	YMP2636	133	YP3648	65	YPB3027	66
YKTS7824SDLN	336	YMP2642	133	YP4218	63	YPB3030	67
YKTS7827SDCN	337	YMP2648	133	YP4224	63	YPB3036	67
YKTS7827SDHN	337	YMP2654	133	YP4227	64	YPB3618	66
YKTS7827SDLN	337	YMP2660	133	YP4230	64	YPB3624	66
YKTS7830SDCN	338	YMP2666	133	YP4236	65	YPB3627	66
YKTS7830SDHN	338	YMP2672	133	YP4242	65	YPB3630	67
YKTS7830SDLN	338	YMP2678	133	YP4248	65	YPB3636	67
YKTS7836SDCN	339	YMP2684	133	YP4818	63	YPB4218	66
YKTS7836SDHN	339	YMP2736	133	YP4824	63	YPB4224	66
YKTS7836SDLN	339	YMP2742	133	YP4827	64	YPB4227	66
YKTS8418SDCN	335	YMP2748	133	YP4830	64	YPB4230	67
YKTS8418SDHN	335	YMP2754	133	YP4836	65	YPB4236	67
YKTS8418SDLN	335	YMP2760	133	YP4848	65	YPB4818	66
YKTS8424SDCN	336	YMP2766	133	YP5418	63	YPB4824	66
YKTS8424SDHN	336	YMP2772	133	YP5424	63	YPB4827	66
YKTS8424SDLN	336	YMP2778	133	YP5427	64	YPB4830	67
YKTS8427SDCN	337	YMP2784	133	YP5430	64	YPB4836	67
YKTS8427SDHN	337	YMPT1636	344	YP5436	65	YPB5418	66
YKTS8427SDLN	337	YMPT1642	344	YP5448	65	YPB5424	66

<i>pattern no.</i>	<i>page</i>	<i>pattern no.</i>	<i>page</i>	<i>pattern no.</i>	<i>page</i>	<i>pattern no.</i>	<i>page</i>
YPB5427	66	YPH5430	69	YPSB2630	197	YPSB3830F	195
YPB5430	67	YPH5436	69	YPSB2630F	195	YPSB3836	197
YPB5436	67	YPH6018	68	YPSB2636	197	YPSB3836F	195
YPB6018	66	YPH6024	68	YPSB2636F	195	YPSB3841	206
YPB6024	66	YPH6027	68	YPSB2642	197	YPSB3841F	205
YPB6027	66	YPH6030	69	YPSB2642F	195	YPSB3842	197
YPB6030	67	YPH6036	69	YPSB2647	357	YPSB3842F	195
YPB6036	67	YPH6618	68	YPSB2647F	356	YPSB3848	197
YPB6618	66	YPH6624	68	YPSB2648	197	YPSB3848F	195
YPB6624	66	YPH6627	68	YPSB2648F	195	YPSB3853	206
YPB6627	66	YPH6630	69	YPSB2653	357	YPSB3853F	205
YPB6630	67	YPH6636	69	YPSB2653F	356	YPSB3854	197
YPB6636	67	YPH7218	68	YPSB2654	197	YPSB3854F	195
YPB7218	66	YPH7224	68	YPSB2654F	195	YPSB3859	206
YPB7224	66	YPH7227	68	YPSB2659	357	YPSB3859F	205
YPB7227	66	YPH7230	69	YPSB2659F	356	YPSB3860	197
YPB7230	67	YPH7236	69	YPSB2660	197	YPSB3860F	195
YPB7236	67	YPH7818	68	YPSB2660F	195	YPSB3865	206
YPB7818	66	YPH7824	68	YPSB2665	357	YPSB3865FRR	205
YPB7824	66	YPH7827	68	YPSB2665FRR	356	YPSB3866	197
YPB7827	66	YPH7830	69	YPSB2666	197	YPSB3866FRR	195
YPB7830	67	YPH7836	69	YPSB2666FRR	195	YPSB3872	197
YPB7836	67	YPH8418	68	YPSB2671	357	YPSB3872FRR	195
YPB8418	66	YPH8424	68	YPSB2671FRR	356	YPSB3877	206
YPB8424	66	YPH8427	68	YPSB2672	197	YPSB3877FRR	205
YPB8427	66	YPH8430	69	YPSB2672FRR	195	YPSC1424	200
YPB8430	67	YPH8436	69	YPSB2677	357	YPSC1424F	199
YPB8436	67	YPSB2024	196	YPSB2677FRR	356	YPSC1430	200
YPB9018	66	YPSB2024F	194	YPSB2683	357	YPSC1430F	199
YPB9024	66	YPSB2027	196	YPSB2683FRR	356	YPSC1436	200
YPB9027	66	YPSB2027F	194	YPSB3224	196	YPSC1436F	199
YPB9030	67	YPSB2030	196	YPSB3224F	194	YPSC1442	200
YPB9036	67	YPSB2030F	194	YPSB3227	196	YPSC1442F	199
YPB9618	66	YPSB2036	196	YPSB3227F	194	YPSC1448	200
YPB9624	66	YPSB2036F	194	YPSB3230	196	YPSC1448F	199
YPB9627	66	YPSB2042	196	YPSB3230F	194	YPSC1454	200
YPB9630	67	YPSB2042F	194	YPSB3236	196	YPSC1454F	199
YPB9636	67	YPSB2047	357	YPSB3236F	194	YPSC1460	200
YPE1524	70	YPSB2047F	356	YPSB3241	206	YPSC1460F	199
YPE1527	70	YPSB2048	196	YPSB3241F	205	YPSC1466	200
YPE1530	70	YPSB2048F	194	YPSB3242	196	YPSC1466FRR	199
YPE1536	70	YPSB2053	357	YPSB3242F	194	YPSC1472	200
YPE1539	70	YPSB2053F	356	YPSB3248	196	YPSC1472FRR	199
YPE1541	70	YPSB2054	196	YPSB3248F	194	YPSC2124	200
YPE1552	70	YPSB2054F	194	YPSB3253	206	YPSC2124F	199
YPE1553	70	YPSB2059	357	YPSB3253F	205	YPSC2130	200
YPE1558	70	YPSB2059F	356	YPSB3254	196	YPSC2130F	199
YPE1559	70	YPSB2060	196	YPSB3254F	194	YPSC2136	200
YPE1564	70	YPSB2060F	194	YPSB3259	206	YPSC2136F	199
YPE1565	70	YPSB2065	357	YPSB3259F	205	YPSC2142	200
YPE1576	70	YPSB2065FRR	356	YPSB3260	196	YPSC2142F	199
YPE1577	70	YPSB2066	196	YPSB3260F	194	YPSC2148	200
YPE1841	70	YPSB2066FRR	194	YPSB3265	206	YPSC2148F	199
YPE1853	70	YPSB2071	357	YPSB3265FRR	205	YPSC2154	200
YPE1859	70	YPSB2071FRR	356	YPSB3266	196	YPSC2154F	199
YPE1865	70	YPSB2072	196	YPSB3266FRR	194	YPSC2160	200
YPE1877	70	YPSB2072FRR	194	YPSB3272	196	YPSC2160F	199
YPH4818	68	YPSB2077	357	YPSB3272FRR	194	YPSC2166	200
YPH4824	68	YPSB2077FRR	356	YPSB3277	206	YPSC2166FRR	199
YPH4827	68	YPSB2083	357	YPSB3277FRR	205	YPSC2172	200
YPH4830	69	YPSB2083FRR	356	YPSB3824	197	YPSC2172FRR	199
YPH4836	69	YPSB2624	197	YPSB3824F	195	YPSC2248F	358
YPH5418	68	YPSB2624F	195	YPSB3827	197	YPSC2254F	358
YPH5424	68	YPSB2627	197	YPSB3827F	195	YPSC2260F	358
YPH5427	68	YPSB2627F	195	YPSB3830	197	YPSC2266FRR	358

<i>pattern no.</i>	<i>page</i>	<i>pattern no.</i>	<i>page</i>	<i>pattern no.</i>	<i>page</i>	<i>pattern no.</i>	<i>page</i>
YPSCT2272FRR	358	YPSI1418	203	YR1DM6	162, 363	YR1TJ96	179
YPSCT2278FRR	358	YPSI1418F	202	YR1DOC422C10N	162, 363	YR1TOM	177
YPSCT2284FRR	358	YPSI1419	203	YR1DOC422C6N	162, 363	YR1TPIC12	299, 361
YPSCT2648F	358	YPSI1419F	202	YR1DOC422H6N	162, 363	YR1TPIC20	299, 361
YPSCT2654F	358	YPSI1422	203	YR1DOC4U3C10N	162, 363	YR1TPNY	156, 177, 361
YPSCT2660F	358	YPSI1422F	202	YR1DOC4U3C6N	162, 363	YR1TPS24	364
YPSCT2666FRR	358	YPSI1424	203	YR1DOC4U3H6N	162, 363	YR1TVWMNY	156
YPSCT2672FRR	358	YPSI1424F	202	YR1DOC633C10N	162, 363	YR1TZES	364
YPSCT2678FRR	358	YPSI1427	203	YR1DOC633C6N	162, 363	YR1TZEX	364
YPSCT2684FRR	358	YPSI1427F	202	YR1DOC633H6N	162, 363	YR1USBA	157
YPSCT2948F	359	YPSI1428	203	YR1DOC642C10N	162, 363	YR1USBB	157
YPSCT2954F	359	YPSI1428F	202	YR1DOC642C6N	162, 363	YR1USBC	157
YPSCT2960F	359	YPSI1430	203	YR1DOC642H6N	162, 363	YR1USBX	157
YPSCT2966FRR	359	YPSI1430F	202	YR1DX	157, 360	YR1USBY	157
YPSCT2972FRR	359	YPSI1436	203	YR1DXC	157	YR1USBZ	157
YPSCT2978FRR	359	YPSI1436F	202	YR1DXO	157, 360	YR1VWM323	167
YPSCT2984FRR	359	YPSI2116	203	YR1DXT	157, 360	YR1VWM330	167
YPSDF5	150	YPSI2116F	202	YR1DY	157, 360	YR1VWM336	167
YPSF1424	209	YPSI2118	203	YR1DYC	157	YR1XDA	177
YPSF1424F	208	YPSI2118F	202	YR1DYO	157, 360	YR1XDAC	177
YPSF1436	209	YPSI2119	203	YR1DYT	157, 360	YR1XDB	177
YPSF1436F	208	YPSI2119F	202	YR1DZ	157, 360	YR1XDBC	177
YPSF1448	209	YPSI2122	203	YR1DZC	157	YR1XDC	177
YPSF1448F	208	YPSI2122F	202	YR1DZO	157, 360	YR1XDCC	177
YPSF1460	209	YPSI2124	203	YR1DZT	157, 360	YR1XDX	177
YPSF1460F	208	YPSI2124F	202	YR1EDPI	156, 177, 361	YR1XDXC	177
YPSF1472	209	YPSI2127	203	YR1EJ108	179	YR1XDYO	177
YPSF1472FRR	208	YPSI2127F	202	YR1EJ12	158, 362	YR1XDXT	177
YPSF1724	209	YPSI2128	203	YR1EJ18	158, 179, 362	YR1XDY	177
YPSF1724F	208	YPSI2128F	202	YR1EJ24	158, 179, 362	YR1XDYC	177
YPSF1736	209	YPSI2130	203	YR1EJ30	158, 362	YR1XDYO	177
YPSF1736F	208	YPSI2130F	202	YR1EJ36	158, 179, 362	YR1XDYT	177
YPSF1748	209	YPSI2136	203	YR1EJ42	158, 362	YR1XDZ	177
YPSF1748F	208	YPSI2136F	202	YR1EJ48	158, 179, 362	YR1XDZC	177
YPSF1760	209	YPSI2127	203	YR1EJ54	158, 362	YR1XDZO	177
YPSF1760F	208	YPSI2127F	202	YR1EJ60	158, 179, 362	YR1XDZT	177
YPSF1772	209	YPSI2128	203	YR1EJ66	158, 362	YR1XUSBA	178
YPSF1772FRR	208	YPSI2128F	202	YR1EJ72	158, 179, 362	YR1XUSBB	178
YPSF2124	209	YPSI2130	203	YR1EJ84	179	YR1XUSBC	178
YPSF2124F	208	YPSI2130F	202	YR1EJ96	179	YR1XUSBX	178
YPSF2136	209	YPSI2136	203	YR1EOM	177	YR1XUSBY	178
YPSF2136F	208	YPSI2136F	202	YR1EPIC12	299, 361	YR1XUSBZ	178
YPSF2148	209	YPSI2136F	202	YR1EPIC20	299, 361	YRCE	155, 361
YPSF2148F	208	YPSI2136F	202	YR1EPNY	156, 177, 361	YROF	157, 177, 360
YPSF2160	209	YPSI2136F	202	YR1EVWMNY	156	YRPHA18	155
YPSF2160F	208	YPSI2136F	202	YR1PCC100	166, 178	YRPHA30	155
YPSF2172	209	YPSI2136F	202	YR1PDCX	155, 177	YRPHA42	155
YPSF2172FRR	208	YPSI2136F	202	YR1TCP	364	YRPHE12	155, 360
YPSF2424	209	YPSI2136F	202	YR1TCPC28	364	YRPHE24	155, 360
YPSF2424F	208	YPSI2136F	202	YR1TCPC30	364	YRPHT12	155, 360
YPSF2436	209	YPSI2136F	202	YR1TDPI	156, 177, 361	YRPHT24	155, 360
YPSF2436F	208	YPSI2136F	202	YR1TJ108	179	YRPM361	160
YPSF2448	209	YPSI2136F	202	YR1TJ12	158, 362	YRPM362	160
YPSF2448F	208	YPSI2136F	202	YR1TJ18	158, 179, 362	YRPMK	160
YPSF2460	209	YPSI2136F	202	YR1TJ24	158, 179, 362	YSAD21	229
YPSF2460F	208	YPSI2136F	202	YR1TJ30	158, 362	YSAD21NET	229
YPSF2472	209	YPSI2136F	202	YR1TJ36	158, 179, 362	YSAD27	229
YPSF2472FRR	208	YPSI2136F	202	YR1TJ42	158, 362	YSAD27NET	229
YPSFF24	208	YPSI2136F	202	YR1TJ48	158, 179, 362	YSAD30	229
YPSFF36	208	YPSI2136F	202	YR1TJ54	158, 362	YSADPADG	229
YPSFF48	208	YPSI2136F	202	YR1TJ60	158, 179, 362	YSADPADN	229
YPSFF60	208	YPSI2136F	202	YR1TJ66	158, 362	YSCH	269
YPSFF72	208	YPSI2136F	202	YR1TJ7	158, 362	YSCS1212	261
YPSI1416	203	YPSI2136F	202	YR1TJ72	158, 179, 362	YSCS2412	261
YPSI1416F	202	YPSI2136F	202	YR1TJ84	179	YSCSD1212	261

<i>pattern no.</i>	<i>page</i>	<i>pattern no.</i>	<i>page</i>	<i>pattern no.</i>	<i>page</i>	<i>pattern no.</i>	<i>page</i>
YSCSD2412	261	YSFCDO4930	268	YSMPDF24	224	YSSOF33L	234
YSDPAD	225	YSFCDO4936	268	YSMUOS36	254	YSSOF33V	235
YSDXFB18	243	YSFCDR4924	266	YSMUOS42	254	YSSOS21L	234
YSDXFB24	243	YSFCDR4927	266	YSMUOS48	254	YSSOS21V	235
YSDXFB27	243	YSFCDR4930	266	YSMUOS60	254	YSSOS24BL	234
YSDXFB30	243	YSFCDR4936	266	YSMUOS72	254	YSSOS24BV	235
YSDXFB36	243	YSFCFF2836	273	YSMUSDL36L	255	YSSOS24L	234
YSDXFB53	243	YSFCO2D5636	278	YSMUSDL42L	255	YSSOS24V	235
YSDXFB59	243	YSFCOF2536	274	YSMUSDL48L	255	YSSOS27BL	234
YSDXFB65	243	YSFCOF2836	274	YSMUSDL60L	255	YSSOS27BV	235
YSDXFB77	243	YSFCOFF4236	273	YSMUSDL72L	255	YSSOS27L	234
YSDXOS1815	238	YSFCOFF4936	273	YSMUSDR36L	255	YSSOS27V	235
YSDXOS2415	238	YSFCOFF5636	273	YSMUSDR42L	255	YSSPAD	225
YSDXOS2715	238	YSFCOFF6736	273	YSMUSDR48L	255	YSSPF21	231
YSDXOS3015	238	YSFCOS2536	280	YSMUSDR60L	255	YSSPF21VL	232
YSDXOS3615	238	YSFCOS2836	280	YSMUSDR72L	255	YSSPF24	231
YSDXOS5315	241	YSFCOS4236	280	YSMUSOL36	254	YSSPF24B	231
YSDXOS5915	241	YSFCOS4936	280	YSMUSOL42	254	YSSPF24BVL	232
YSDXOS6515	241	YSFCOS5636	280	YSMUSOL48	254	YSSPF24VL	232
YSDXOS7715	241	YSFCOSO2536	280	YSMUSOL60	254	YSSPF27	231
YSDXSS2415	238	YSFCOSO2836	280	YSMUSOL72	254	YSSPF27B	231
YSDXSS2715	238	YSFCWD6736	271	YSMUSOR36	254	YSSPF27BVL	232
YSDXSS3015	238	YSFCWL4924	271	YSMUSOR42	254	YSSPF27VL	232
YSDXSS3615	238	YSFCWL6718	271	YSMUSOR48	254	YSSPF33	231
YSDXSS5315	241	YSFCWR4924	271	YSMUSOR60	254	YSSPF33B	231
YSDXSS5915	241	YSFCWR6718	271	YSMUSOR72	254	YSSPF33BVL	232
YSDXSS6515	241	YSFFF18L	218	YSMWMO36	285	YSSPF33VL	232
YSDXSS7715	241	YSFFF18N	218	YSMWMO42	285	YSUES3615	248
YSDXUP	86, 238	YSFFF18R	218	YSMWMO48	285	YSUES4815	248
YSFA	90, 218, 222	YSFFF24L	218	YSMWMO60	285	YSUOP24	257
YSFB18	218	YSFFF24N	218	YSMWMO72	285	YSUOP30	257
YSFB24	218	YSFFF24R	218	YSMWMMS36L	285	YSUOP36	257
YSFBBF18L	218	YSFFF30L	218	YSMWMMS42L	285	YSUOP48	257
YSFBBF18N	218	YSFFF30N	218	YSMWMMS48L	285	YSUOP60	257
YSFBBF18R	218	YSFFF30R	218	YSMWMMS60L	285	YSUOP72	257
YSFBBF24L	218	YSFSB	213	YSMWMMS72L	285	YSUOS3615	248
YSFBBF24N	218	YSFSL423612	213	YSSD3615	283	YSUOS4215	248
YSFBBF24R	218	YSFSL423618	213	YSSD4215	283	YSUOS4815	248
YSFBBF30L	218	YSFSL424812	213	YSSD4815	283	YSUOS6015	248
YSFBBF30N	218	YSFSL424818	213	YSSD6015	283	YSUOS7215	248
YSFBBF30R	218	YSFSL493612	213	YSSD7215	283	YSUS2BT	259
YSFC2D2536	276	YSFSL493618	213	YSSDL3615	250	YSUS2F25	259
YSFC2D2836	276	YSFSL494812	213	YSSDL4215	250	YSUS2F28	259
YSFC2D4236	276	YSFSL494818	213	YSSDL4815	250	YSUS3BT	259
YSFC2D4936	276	YSFSR423612	213	YSSDL6015	250	YSUS3F25	259
YSFC2D5636	276	YSFSR423618	213	YSSDL7215	250	YSUS3F28	259
YSFC2D02536	276	YSFSR424812	213	YSSDR3615	251	YSUSDL3615	250
YSFC2D02836	276	YSFSR424818	213	YSSDR4215	251	YSUSDL4215	250
YSFC2D05636	278	YSFSR493612	213	YSSDR4815	251	YSUSDL4815	250
YSFC4D5636	276	YSFSR493618	213	YSSDR6015	251	YSUSDL6015	250
YSFCBF2536	273	YSFSR494812	213	YSSDR7215	251	YSUSDL7215	250
YSFCDASK27	269	YSFSR494818	213	YSSOF15L	234	YSUSDR3615	251
YSFCDASK30	269	YSFWB30	222	YSSOF15V	235	YSUSDR4215	251
YSFCDASK36	269	YSFWB36	222, 274	YSSOF21L	234	YSUSDR4815	251
YSFCDE4927	268	YSFWDF30N	221	YSSOF21V	235	YSUSDR6015	251
YSFCDE4930	268	YSFWDF36N	221	YSSOF24BL	234	YSUSDR7215	251
YSFCDE4936	268	YSFWFF3018	221	YSSOF24BV	235	YSUSNDL3615	248
YSFCDEL4924	265	YSFWFF3024	221	YSSOF24L	234	YSUSNDL4215	248
YSFCDER4924	266	YSFWFF30N	221	YSSOF24V	235	YSUSNDL4815	248
YSFCDL4924	265	YSFWFF3618	221	YSSOF27BL	234	YSUSNDL6015	248
YSFCDL4927	265	YSFWFF3624	221	YSSOF27BV	235	YSUSNDL7215	248
YSFCDL4930	265	YSFWFF36N	221	YSSOF27L	234	YSUSNDR3615	249
YSFCDL4936	265	YSMOPDF18	224	YSSOF27V	235	YSUSNDR4215	249
YSFCDO4924	268	YSMOPDF24	224	YSSOF33BL	234	YSUSNDR4815	249
YSFCDO4927	268	YSMPDF18	224	YSSOF33BV	235	YSUSNDR6015	249

<i>pattern no.</i>	<i>page</i>	<i>pattern no.</i>	<i>page</i>	<i>pattern no.</i>	<i>page</i>	<i>pattern no.</i>	<i>page</i>
YSUSNDR7215	249	YT6330	56	YTD6636	49	YTH6630	47
YSWMO3615	283	YT6336	56	YTD7218	48	YTH6636	47
YSWMO4215	283	YT6608	50	YTD7224	48	YTH7218	46
YSWMO4815	283	YT6618	43	YTD7227	48	YTH7224	46
YSWMO6015	283	YT6624	43	YTD7230	49	YTH7227	46
YSWMO7215	283	YT6627	44	YTD7236	49	YTH7230	47
YSWMS3615	283	YT6630	44	YTD7818	48	YTH7236	47
YSWMS4215	283	YT6636	45	YTD7824	48	YTH7818	46
YSWMS4815	283	YT6648	45	YTD7827	48	YTH7824	46
YSWMS6015	283	YT6924	56	YTD7830	49	YTH7827	46
YSWMS7215	283	YT6930	56	YTD7836	49	YTH7830	47
YT3018	43	YT6936	56	YTD8418	48	YTH7836	47
YT3024	43	YT7208	50	YTD8424	48	YTH8418	46
YT3027	44	YT7218	43	YTD8427	48	YTH8424	46
YT3030	44	YT7224	43	YTD8430	49	YTH8427	46
YT3036	45	YT7227	44	YTD8436	49	YTH8430	47
YT3048	45	YT7230	44	YTDVC24484824	54	YTH8436	47
YT3324	56	YT7236	45	YTDVC24545424	54	YTHVC24484824	54
YT3330	56	YT7248	45	YTDVC24606024	54	YTHVC24545424	54
YT3618	43	YT7808	50	YTDVC27484827	54	YTHVC24606024	54
YT3624	43	YT7818	43	YTDVC27545427	54	YTHVC27484827	54
YT3627	44	YT7824	43	YTDVC27606027	54	YTHVC27545427	54
YT3630	44	YT7827	44	YTDVS24484824	54	YTHVC27606027	54
YT3636	45	YT7830	44	YTE1524	51	YTHVS24484824	54
YT3648	45	YT7836	45	YTE1527	51	YTT24	58
YT3924	56	YT7848	45	YTE1530	51	YTT30	58
YT3930	56	YT8408	50	YTE1531	51	YTT36	58
YT4218	43	YT8418	43	YTE1536	51	YTT42	58
YT4224	43	YT8424	43	YTE1537	51	YTT47	58
YT4227	44	YT8427	44	YTE1539	51	YTT4724	346
YT4230	44	YT8430	44	YTE1540	51	YTT4727	346
YT4236	45	YT8436	45	YTE1541	51	YTT4730	346
YT4242	45	YT8442	45	YTE1543	51	YTT48	58
YT4248	45	YT8448	45	YTE1549	51	YTT53	58
YT4524	56	YT9018	43	YTE1552	51	YTT5324	346
YT4530	56	YT9024	43	YTE1553	51	YTT5327	346
YT4536	56	YT9027	44	YTE1558	51	YTT5330	346
YT4808	50	YT9030	44	YTE1559	51	YTT59	58
YT4818	43	YT9036	45	YTE1564	51	YTT5924	346
YT4824	43	YT9048	45	YTE1565	51	YTT5927	346
YT4827	44	YT9618	43	YTE1576	51	YTT5930	346
YT4830	44	YT9624	43	YTE1577	51	YTT65	58
YT4836	45	YT9627	44	YTE1841	51	YTT6524	346
YT4848	45	YT9630	44	YTE1853	51	YTT6527	346
YT5124	56	YT9636	45	YTE1859	51	YTT6530	346
YT5130	56	YT9648	45	YTE1865	51	YTT70	58
YT5136	56	YTD4818	48	YTE1877	51	YTT71	58
YT5408	50	YTD4824	48	YTH4818	46	YTT7124	346
YT5418	43	YTD4827	48	YTH4824	46	YTT7127	346
YT5424	43	YTD4830	49	YTH4827	46	YTT7130	346
YT5427	44	YTD4836	49	YTH4830	47	YTT76	58
YT5430	44	YTD5418	48	YTH4836	47	YTT77	58
YT5436	45	YTD5424	48	YTH5418	46	YTT7724	346
YT5448	45	YTD5427	48	YTH5424	46	YTT7727	346
YT5724	56	YTD5430	49	YTH5427	46	YTT7730	346
YT5730	56	YTD5436	49	YTH5430	47	YTT82	58
YT5736	56	YTD6018	48	YTH5436	47	YTT83	58
YT6008	50	YTD6024	48	YTH6018	46	YTT8324	346
YT6018	43	YTD6027	48	YTH6024	46	YTT8327	346
YT6024	43	YTD6030	49	YTH6027	46	YTT8330	346
YT6027	44	YTD6036	49	YTH6030	47	YTT88	58
YT6030	44	YTD6618	48	YTH6036	47	YTT89	58
YT6036	45	YTD6624	48	YTH6618	46	YTT94	58
YT6048	45	YTD6627	48	YTH6624	46	YTT95	58
YT6324	56	YTD6630	49	YTH6627	46	YTT9518	59

<i>pattern no.</i>	<i>page</i>	<i>pattern no.</i>	<i>page</i>
YTTE24	59	YTY4624	56
YTTE30	59	YTY4627	56
YTTE36	59	YTY5224	56
YTTE42	59	YTY5227	56
YTTE48	59	YTY5824	56
YTTE60	59	YTY5827	56
YTTE66	59	YUBC3423	129
YTTE72	59	YUBC3429	129
YTTE78	59	YUBC4023	129
YTTE84	59	YUBC4029	129
YTTE87	59	YUBC4623	129
YTTE90	59	YUBC4629	129
YTTE96	59	YUBC5223	129
YTTM23	59	YUBC5229	129
YTTM29	59	YUBC5823	129
YTTM35	59	YUBC5829	129
YTTM41	59	YUBC6423	129
YTTM47	59	YUBC6429	129
YTTR3024	347	YUBC7023	129
YTTR3027	347	YUBC7029	129
YTTR3030	347	YUBT4629	129
YTTR3624	347	YUBT5229	129
YTTR3627	347	YUBT5829	129
YTTR3630	347	YUBT6429	129
YTTR4224	347	YUBT7029	129
YTTR4227	347	YUBY464616	129
YTTR4230	347	YUBY525216	129
YTTR4824	347	YUBY585816	129
YTTR4827	347		
YTTR4830	347		
YTTR5424	347		
YTTR5427	347		
YTTR5430	347		
YTTR6024	347		
YTTR6027	347		
YTTR6030	347		
YTTR6624	347		
YTTR6627	347		
YTTR6630	347		
YTTR7224	347		
YTTR7227	347		
YTTR7230	347		
YTVC24484824	54		
YTVC24545424	54		
YTVC24606024	54		
YTVC27484827	54		
YTVC27545427	54		
YTVC27606027	54		
YTVS24484824	54		
YTWSHK118	60		
YTWSHK124	60		
YTWSHK130	60		
YTWSHK136	60		
YTWSHK142	60		
YTWSHK148	60		
YTWSHK160	60		
YTWSHK172	60		
YTWSHK218	60		
YTWSHK224	60		
YTWSHK230	60		
YTWSHK236	60		
YTWSHK242	60		
YTWSHK248	60		
YTWSHK260	60		
YTWSHK272	60		

Selling Policy

	<p>This Selling Policy supercedes all previous selling policies. Prices, discounts and product offerings are subject to change without notice.</p>
Terms & Conditions of Sales	<p>Sales by Knoll, Inc. or Knoll North America Corp. ("Seller") of Knoll Product Lines (hereinafter "Products") within the United States and Canada are made only on the terms which are contained in this Selling Policy. Seller hereby gives notice of its objection to any different or additional terms and conditions. This sale is expressly conditional upon Purchaser's assent to the terms and conditions set forth below. Additional terms and conditions may apply to KnollStudio and KnollTextiles orders. These terms and conditions may be modified or supplemented only by a written document signed by an authorized representative of Seller. These terms and conditions supercede any prior and/or contemporaneous agreements or correspondence between Purchaser and Seller. Written quotations expire thirty (30) days from the date of issuance and can be withdrawn by written notice anytime during that period. Where Purchaser and Seller have entered into the Knoll Electronic Terms and Conditions, all orders, acknowledgements, invoices and other business communications placed or transmitted in accordance with the Knoll Electronic Terms and Conditions shall be deemed to be in writing and signed and shall be valid for all purposes as if they were originated and maintained in documentary form.</p>
Ordering Information	<p>All orders must be in writing. The product pattern number(s) contained on Seller's order acknowledgement shall be the final expression of the order.</p>
Order Confirmation	<p>A purchase order is not binding on Seller until Purchaser has received Seller's order confirmation or acknowledgment.</p>
Pricing Policies	<p>List prices are subject to change without notice.</p> <p>List prices shall be those prices in effect on the date of receipt of a complete purchase order unless shipment is requested more than ninety (90) days after order entry in which case prices in effect on the date of shipment apply. List prices include specified freight costs. Unless specified in writing by Seller, no other charges are included in Seller's list prices.</p>
Taxes	<p>All sales, use, excise and other taxes applicable to the sale of the Products shall be paid by Purchaser. If Purchaser claims an exemption from any tax, Purchaser shall submit to Seller the appropriate exemption certificates.</p>
Terms of Payment	<p>Payment for one hundred percent (100%) of the net order amount is due within thirty (30) days of the date of invoice, which is generally issued upon shipment. In case of any discrepancies, such as shortages, and Seller is notified in writing within ten (10) days of receipt of Product, only that portion may be deducted and the balance paid. For orders greater than \$100,000 net, a fifty percent (50%) deposit is due at the time of order placement, with the remainder due within thirty (30) days of the date of invoice.</p> <p>KnollStudio orders less than \$2,000 require payment for one hundred percent (100%) of the net order amount (including any applicable sales tax and charges for inside delivery, special packaging, etc.), due at time of order placement. For KnollStudio orders greater than \$2,000, a one-half (50%) deposit is due at time of order placement with the remainder (including any applicable sales tax and charges for inside delivery, special packaging, etc.) due prior to shipment.</p> <p>If, in the judgment of Seller, Purchaser's financial condition does not justify the terms of the payment, Seller may require full or partial payment in advance.</p> <p>Past due accounts shall be charged one and one-half percent (1.5%) per month, or the highest rate permitted by law, whichever is less, and will be added to the outstanding balance. In the event Purchaser defaults on payment, Purchaser shall be liable for all collection costs, including reasonable attorney's fees and costs.</p>
Changes and Cancellation	<p>Purchase orders may not be changed or cancelled, in whole or in part, without prior written consent of Seller. Changes may effect delivery dates. Expenses incurred because of changes shall be charged to Purchaser. In the event of cancellations, Purchaser will be liable for reasonable cancellation charges established by Seller. Orders for special Product, orders including "COM" (hereinafter defined) material and orders pursuant to expedited delivery programs, may not be canceled.</p>
Freight Prepaid	<p>Freight is prepaid and included in the price of all Products, except KnollTextiles, within the 48 contiguous United States for orders placed with Knoll, Inc. and within Canada, excluding the Yukon, Northwest Territories, Nunavut and Newfoundland for orders placed with Knoll North America Corp. Packing is tested for rigorous motion and transportation but is not guaranteed to protect furniture from all conditions. If special packaging is required for any reason, please consult with your sales representative or dealer. Seller shall select the method of shipment and routing. Freight for all KnollTextiles orders is prepaid and added to the invoice.</p>
Delivery/Freight Charges	<p>Shipments outside the contiguous 48 United States and Canada shall be shipped F.O.B. Origin.</p> <p>For shipments outside the contiguous United States and Canada, Purchaser is responsible for the cost of freight from point of embarkation, including any handling and transportation charges incidental to loading at the point of departure and unloading at the final destination.</p> <p>Conditions beyond the control of Seller, including weather, available facilities and traffic conditions, may affect exact time of delivery. Seller shall not be responsible for specific carrier delivery date or time unless it has made a specific delivery commitment, in writing.</p> <p>Nonstandard methods of shipment and/or additional services are available upon request. Purchaser will be billed for the differential cost of any special services in excess of standard surface carrier freight costs. Premium charges, at Purchaser's request, will be added for airfreight, exclusive use of vehicle and extra, export or special packaging. Accessorial charges will be added for inside delivery, extra labor, reassignment and redelivery.</p> <p>Partial shipments may be made and invoiced by Seller.</p>
Claims	<p>All shipments for Knoll Products within the contiguous United States and Canada are F.O.B. Origin. All risk of loss passes to Purchaser at time of delivery to carrier. Purchaser shall inspect all Products upon receipt and notify Seller within ten (10) working days after receipt of any damage or defects which are, or should be, apparent from an inspection of the Product and its packaging. Failure of Purchaser to notify Seller during the ten (10) working day period shall constitute acceptance of the Products and waiver of any apparent defects, errors or shortages. For all claims relating to Product damaged in transit or for any other claims relating to or arising out of the transportation of the Product, Purchaser must seek recovery from the carrier and Seller has no liability to Purchaser for such claims. Seller may, upon request, assist Purchaser with filing of such claims with the carrier, but Seller will not be liable for any of these transportation related claims.</p>
Seller's Security Interest	<p>Until Seller receives the full payment for the Product, Seller shall have a security interest in the Product. Purchaser agrees to perform all acts, including but not limited to the execution and filing of documentation, which may be necessary to perfect and assure the security interest of Seller.</p>
Returns	<p>The return of Products without a written authorization by Seller shall not be accepted. To receive authorization for Product return, please call Customer Service. All Products that are returned pursuant to a valid authorization shall be subject to a twenty-five percent (25%) of list restocking charge. Products not currently offered for sale by Seller (including COM) shall not be authorized for return. All returned Products must be unused, in original condition and in the original Seller packing cartons. No refund or credit shall be given for damaged Products.</p>
Held Orders/Storage	<p>If Purchaser requests that an order be held or delayed, prices and terms and conditions in effect at the time of shipment shall apply. If Purchaser requests a delay after the time when Seller can defer production, Purchaser will be invoiced for the Product, payable in accordance with standard terms, when the order is ready for shipment. Seller may transfer the Product to storage, in which case all expenses incurred in connection with storage, including demurrage, preparation for storage, storage charges and handling shall be payable by Purchaser upon submission of invoices by Seller. Risk of loss to the Product shall pass to the Purchaser upon delivery of the Product into storage.</p>

Selling Policy

Customer's Own Material	<p>A Purchaser who requests a fabric or other surface material not standard to Seller's line of Products ("COM") must submit samples of the requested material to Seller prior to entry of a purchaser order. Seller shall determine if the material is suitable to its manufacturing processes and meets any requirements of Underwriters Laboratories. If the COM is acceptable, Seller will then establish a price for using the COM or the Product in question. For a description of the procedures for submitting samples and testing, contact customer resources or your sales representative. Seller shall have no responsibility for the appearance, condition, performance, durability, colorfastness or any other physical attribute of the COM. Purchaser shall indemnify and hold Seller harmless for any damages, injuries or losses arising out of or related to use of the COM on the Product.</p>
Warranty	<p>Seller warrants to the original Purchaser only that the Products Seller manufactures and sells to Purchaser are free of defects in workmanship and materials, during the applicable warranty period set forth below.</p> <p>Warranty period set forth below is for 24-hour, 7 days a week, multi shift use (includes parts and labor to repair).</p> <p>Should any failure to conform with this limited warranty appear to a Product listed below during the applicable warranty period from the date of shipment, Seller shall, upon prompt written notice, repair or replace, at its option and costs, the affected part or parts.</p> <p><i>Product and Period of Warranty</i></p> <p><i>Lifetime: Antenna Workspaces, AutoStrada, Calibre, Crinion Open Table, Currents, Dividends Horizon, Morrison, Reff Profiles laminate, Series 2 Storage, Template and other non-wood components (except cascade edge worksurfaces, operational parts, controls, electrical, Lighting, Series 2 Veneer Front Storage, special or custom products, see below)</i></p> <p><i>12 Years: Chadwick, Essentials Work Chairs, Generation by Knoll, Life, Moment, MultiGeneration by Knoll, ReGeneration by Knoll, Remix, and Toboggan seating (except seating upholstery, textiles, leathers and finishes, see below).</i></p> <p><i>10 Years: Anchor Storage except digital keypad lock, Antenna Workspaces, AutoStrada, Crinion Open Table, Dividends Horizon, Dividends Horizon Satellite Surfaces, Reff Profiles, Template wood components, Series 2 Veneer Front Storage, cascade edge worksurfaces, Wood Casegoods (The Graham Collection) (except wood casegoods upholstered surfaces, see below), Reuter overheads, Reuter vertical storage, KnollExtra Sapper Monitor Arm Collection, Sapper XYZ Monitor Arm, Adjustable keyboard mechanisms and platforms, Communication Boards (except fabric board textiles, see below), Smokador collection (except leathers, see below), and Orchestra Universal Systems Accessories, k. lounge structural components.</i></p> <p><i>5 Years: Operational parts, controls, electrical, Lighting (except light ballasts, bulbs and power supply, see below), special or custom product, wood veneer products, Currents handcrank, Interaction Counterforce, KnollStudio, Spark Series seating structural elements, structural elements of all KnollStudio outdoor products including all Richard Schultz designed products, KnollExtra CPU storage and all universal storage drawers and Power Collection, Tone Tables.</i></p> <p><i>3 Years: Seating upholstery, textiles, leathers and finishes. Fabric boards textiles and Smokador Collection leathers.</i></p> <p><i>2 Years: Anchor Storage digital keypad lock, all other KnollExtra product</i></p> <p><i>1 Year: Light ballasts, bulbs and power supply, seating upholstered amp pads and soft amp pads, wood casegoods upholstered surfaces. KnollStudio, outdoor product finishes, k. lounge upholstery and k. lounge fabric.</i></p> <p>This warranty does not apply to:</p> <ul style="list-style-type: none">• Damage caused by a carrier other than the Seller.• Normal wear and tear or acts or omissions of parties other than Seller (including user modification, improper use or installation of Products).• COM or other third party materials applied to Products.• Products not installed by or under the auspices of a Knoll Dealer.• Dramatic temperature variations or exposure to unusual conditions.• Changes in surface finishes, including colorfastness due to aging or exposure to light.• Except as specifically noted above, textiles and upholstery supplied by <i>KnollTextiles</i> (consult current <i>KnollTextiles</i> price list for applicable warranty). <p>Natural variations occurring in wood, marble, and leather shall not be considered defects, and the Seller does not guarantee the colorfastness or matching of the colors, grains or textures, or surface hardness of such materials. The Seller also does not guarantee the colorfastness of fiberglass panel surfaces. THE EXPRESS WARRANTIES CONTAINED HEREIN ARE IN LIEU OF ALL OTHER WARRANTIES, EXPRESS OR IMPLIED, INCLUDING ANY WARRANTIES OF MERCHANTABILITY AND FITNESS FOR PARTICULAR PURPOSE AND ALL OTHER WARRANTIES ARISING FROM COURSE OF DEALING OR USAGE OF TRADE.</p> <p>The remedies provided above are the Purchaser's sole remedies for any failure of Seller to comply with its obligations regarding the workmanship of its Products. Correction of any nonconformity in the manner and for the period of time provided shall constitute complete fulfillment of all liabilities of Seller, with respect to or arising out of the Product furnished hereunder.</p>
Delay/Force Majeure	<p>Seller shall not be liable for failure to perform or for delay in performance due to fire, flood, strike or other labor difficulty, act of God, act of any governmental authority or of the Purchaser, riot, embargo, fuel or energy shortage, wrecks or delay in transportation, inability to obtain necessary labor, materials or manufacturing facilities from usual sources or failure of suppliers to meet their contractual obligations, or due to any cause beyond its reasonable control. If any such event occurs, Seller may extend delivery dates by a period of time necessary to overcome the effect of such delay, allocate available Product or cancel any purchase order.</p>
Compliance with Law	<p>PURCHASER IS SOLELY RESPONSIBLE FOR COMPLIANCE WITH ALL APPLICABLE FEDERAL, STATE AND LOCAL LAWS, ORDINANCES, REGULATIONS, RULES AND STANDARDS RELATING TO THE INSTALLATION, MAINTENANCE, USE AND OPERATION OF THE PRODUCTS.</p>
Patents	<p>Subject to the following provisions, Seller shall, at its own expense, defend or, at its option, settle any claim, suit or proceeding brought against the Purchaser, and/or its vendees, mediate and immediate, so far as based on an allegation that any Product or any part thereof furnished hereunder constitutes a direct or a contributory infringement of any claim of any patent of the United States or Canada. This obligation shall be effective only if Purchaser shall have made all payments then due hereunder and if Seller is notified promptly in writing and given authority, information and assistance for the defense of said claim, suit or proceeding. Seller shall pay all damages and costs awarded in such suit or proceedings so defended.</p> <p>The foregoing indemnity does not apply to the following:</p> <ul style="list-style-type: none">• Products supplied according to a design other than that of Seller, and which is required by the Purchaser.• Combination of the Product with another product not furnished hereunder unless Seller is a contributory infringer.• Any settlements of a suit or proceeding made without Seller's written consent.
Limitations of Liability	<p>SELLER, ITS CONTRACTORS, AUTHORIZED DEALERS AND SUBCONTRACTORS OR SUPPLIERS OF ANY TIER SHALL NOT BE LIABLE TO PURCHASER FOR ANY SPECIAL, INDIRECT, INCIDENTAL OR CONSEQUENTIAL DAMAGES ARISING FROM A BREACH OF THIS AGREEMENT.</p> <p>Purchaser's remedies set forth herein are exclusive and the liability of Seller with respect to the breach of this agreement or any contract entered into between the parties pursuant hereto shall not exceed the price of the Product or part on which such liability is based.</p>

KnollKey Lock Program

KnollKey Lock Program General Information

Following is the KnollKey lock policy, applicable to all products.

Knoll furniture can be ordered keyed-alike or random keyed. Key-alike and random keying instructions cannot be mixed on any single order. Only one of the two instructions can be used on an individual order. When an order is submitted with mixed (key-alike and random) instructions, Knoll will release the order as key-alike only and lock cores will have to be specified separately.

Key-alike

For the convenience of the user, furniture may be keyed alike at no charge. Write "Key-alike" in the description of your purchase order for any pedestal, overhead, file or other item you wish to have keyed alike.

Using the key-alike instructions, order cores and keys as line items on your purchase order. Do NOT submit a key-alike form. The Knoll East Greenville Lock Center will select key numbers from the standard range of K 001 - K 250. Key numbers will not be repeated unless over 250 sets are ordered. Lock cores keyed-alike will ship separately from the product, ready for field installation.

There is no charge for key-alike orders if placed with the furniture order.

IF THE KEY-ALIKE ORDER IS NOT PLACED AT LEAST TWO WEEKS PRIOR TO THE FURNITURE SHIP DATE, A \$50 HANDLING CHARGE AND AIR FREIGHT CHARGES WILL APPLY.

If product is ordered and shipped random-keyed, additional lock cores for key-alike are billable.

Random-Keying

To specify product keyed-random, write "key-random" in the product description. Random-keyed product is shipped with the lock core factory installed. A shrouded key is included. Random means no effort has been made to match key numbers, or to make them different.

Keys

A Knoll shrouded key is shipped with every lock core. 250 Key numbers are available. For numbers above 250, contact Custom Product Development. Additional keys and key blanks are available. See service parts for more information.

Master Keying

Knoll locks can be controlled by means of a master key. There is no additional per-lock charge for master keying. A letter of approval from the client must accompany orders for master keys.

Installing Lock Cores

Lock cores can be installed or removed in the field by using a change key. Cores must be in the unlocked position to be removed. See service parts for change key pattern number and pricing.

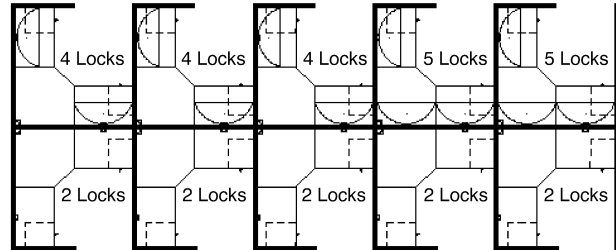
Lock Distribution

All orders for key-alike lock cores/keys are packaged and shipped from the East Greenville Lock Center, regardless of where the pedestals, overhead, or other units are produced. Random keyed product will have cores factory-installed.

How to Specify Key-Alike

Following is an example of how to specify key-alike for a cluster of 10 workstations.

Step 1 - Using the project floorplan, count the number of locks in each workstation.



Step 2 - Count the number of workstations with the same quantity of locks. Group together the workstations with a like number of locks.

5 workstations with 2 locks per station
3 workstations with 4 locks per station
2 workstations with 5 locks per station

Step 3 - For the first group (5 sets of 2 locks), enter the number of workstations in the quantity column.

Qty	Pattern #	Description	Unit List	Ext. List
5				

Step 4 - Then enter the pattern number "KSPEC_ _" and add a suffix for the number of locks for that group (i.e., for 2 locks per station, add the suffix "2"). Up to 30 lock cores are available in a set (i.e., KSPEC 30).

Qty	Pattern #	Description	Unit List	Ext. List
5	KSPEC 2	Set of 2 cores/keys	N / C	N / C

Step 5 - Repeat for other groups.

Qty	Pattern #	Description	Unit List	Ext. List
5	KSPEC 2	Set of 2 cores/keys	N / C	N / C
3	KSPEC 4	Set of 4 cores/keys	N / C	N / C
2	KSPEC 5	Set of 5 cores/keys	N / C	N / C

Your Key instructions are complete.

Knoll will select key numbers for each set from 250 available numbers. Additional key numbers are available through Custom Product Development. **For additions to existing installations, specify desired key numbers in the description.**

Service Parts

Pattern #	Description	List Price
KKEY_ _ _	Shrouded Key Specify key number desired	\$10
KBLANK	Shrouded Key Blank	\$10
KSPECB_ _ _	Retrofit Universal Core/Key Specify key number desired	\$22
KCHANGE	Change Key	\$10
HLKRKMASTER*	Master Key	\$10

*Note: A letter of approval on company letterhead from the client must accompany all orders for master keys.

General Ordering Information

The Products

This guide encompasses all standard products for this product group.

Sizes

Dimensions listed in this guide are indicated as:

H = height

W = width

D = depth

Dia. = diameter

Rad. = radius

Pricing

All prices shown are list.

How to Order

Select pattern numbers and quantities required for your complete installation. Product questions can be addressed in the specific sections of this guide or by contacting your sales representative or customer resource representative at 1-800-343-5665.

Next, select options (if required), along with colors and finishes appropriate to each product. Reference the Finishes and Fabrics pages for color designations.

On large installations, an item's "designated area" can be specified to assist in product organization and handling.

To expedite complete / correct entry of your order, be certain all pattern numbers, quantities, colors and area identifications are completely specified. Also, include complete purchase order numbers, bill-to and ship-to addresses, a contact name and specific factory shipping dates required.

Mail all orders to:

Knoll, Inc.
1235 Water Street
P.O. Box 157
East Greenville, PA 18041
Attention: Order Entry

Once your order is entered at Knoll, an acknowledgment will be mailed to you. You will be advised of your scheduled shipping date within five days of the original acknowledgment. If it is necessary to revise your order, please contact your customer resource representative.

Sustainability Statement

Sustainable design is a key component of Knoll's environmental focus. Our commitment to social responsibility and a healthy environment has prompted us to further articulate our longstanding environmental programs and, with encouragement and support from our colleagues in the industry, we have re-energized our focus on such "green" initiatives as life cycle analysis and LEED™ certification. Knoll is proud to have contributed to projects that have received LEED certification from the U.S. Green Building Council.

For the latest information on Knoll products that help our customers achieve LEED certification, log on to knoll.com, click on "About Knoll" and then "Environmental Focus."