

ANTENNA WORKSPACES

Price List
February 2014



Knoll

Introduction	Knoll and Sustainable Design	3
	Antenna Workspaces and Sustainable Design	4
	Using the Antenna Workspaces Price List	5
	Material and Finish Options	6
	Material and Finish Matrix	7
	KnollTextiles Approved for Screens and Fabric Inserts	12
	KnollTextiles and Spinneybeck for Pedestal Cushions	13
	Grain Direction Planning Guidelines	14
	Wall Mounting Guidelines for Cabinets	16
	Antenna Workspaces Concept	18
	Introduction of Basic Elements	19
Preconfigured Desks and Tables	Fundamental Planning Overview	26
	Antenna Leg Base Tables	27
	Y-base tables	31
Tops	Media Enclave	34
	Scope Overview of Antenna Tops	36
	Planning Guidelines for Antenna Tops	38
	Antenna Tops For Desks or Big Tables	40
	Antenna Hinged Access Tops for Big Tables	43
	Antenna Back Tops for Single Sided Big Tables	45
	Antenna Extension Tops for Desks and Big Tables	46
	Antenna Tops for 120° Planning	47
	Antenna Tops For C-Leg and T-Leg Tables	50
	Antenna Tops and Worksurface Shelves for Template	52
	Scope Overview of Overlay Tops	56
	Planning Guidelines for Overlay Tops	57
	Overlay Tops for Desks	58
	Overlay Benching Tops for Desks and Big Tables	61
	Overlay Hinged Access Tops for Big Tables	63
	Overlay Extension Tops for Desks and Big Tables	65
	Desk and Table Support	Planning Guidelines for Desks and Tables
Planning Guidelines for Dual Sided Big Tables		67
Planning Guidelines for Single Sided Big Tables		68
Stability Guidelines for Desks, Tables and Big Tables		70
Starter and Extended Rails		73
Return and Bridge Rails		77
Desk Connectors		80
Desk Support Adapters		82
Components for Reconfigurations		86
Center Beam for Big Tables		87
Keyboard Tray and CPU Holder Mounts		89
Scope Overview of Legs		92
Legs for Desks or Returns		94
Legs for Table Desks		98
Legs for Back to Back Desks		100
Legs for Dual Sided Big Tables		102
Legs for Standing Height Dual Sided Big Tables		107
Legs for Single Sided Big Tables		113
Legs for C-Leg and T-Leg Tables		119
Modesty Panels for Desks or Returns		122
Back Panels for Single Sided Big Tables		125
End Panels	127	
Enclave End Panels	136	
Sales and Installation Tools	138	

Power and Communications	Planning Guidelines for Electrical Components	140
	Electrical Components for Desks and Big Tables	144
	Surface Mounted Plugmold Raceway	147
	Desktop Outlet Center	149
	Cable Management	151
Fence Components	Planning Guidelines for Fence	156
	Fence Structure	158
	Fence Connectors and Trim	160
	Electrical Components for Fence	163
	Upper Covers	167
	Lower Covers	172
Interpole Components	Full Covers	176
	Scope Overview of Interpole Poles and Covers	180
	Planning Guidelines for Interpole	181
	Interpole Poles and Covers	182
	Interpole Power Components	186
	Interpole Accessories	190
Screens	Interpole Screens	192
	Desk Screens	195
	Big Table Screens	200
	Intermediate Screens	203
	End Screens for Dual Big Table	206
	Fence Screens	209
	S Screens	212
Storage Components	Floorstanding Desk Screens	214
	Storage Planning Guidelines and Specifications	216
	Scope Overview of Pedestals	217
	Pedestals	218
	Scope Overview of Suspended Storage	228
	Laptop Drawer	230
	Suspended Storage	232
	Extension Cabinets	238
	Scope Overview of Stanchion Mounted Storage	246
	Stanchion Mounted Wood Storage	248
	Stanchion Mounted Metal Storage	254
	Stanchion Mounted Platform	258
	Stanchion Supports	260
	Cantilever Shelves	262
	Scope Overview of Floorstanding Cabinets	264
	Floorstanding Personal Desk-End Cabinets	266
	Floorstanding Shared Desk-End Cabinets	269
	Floorstanding Desk-End Cabinet Accessories	271
	Floorstanding L and Wardrobe Cabinets	272
	Floorstanding File Cabinets	274
	Floorstanding Enclosed Shelf Cabinets	277
	Floorstanding Partially Enclosed Shelf Cabinets	279
	Floorstanding Open Shelf Cabinets	281
	Scope Overview of Wall Mounted Cabinets	283
	Wall Mounted Wood Cabinets	284
	Wall Mounted Metal Cabinets	286
	LED Task Lights	288
Selling Policy	297	
KnollKey Lock Program	299	
General Ordering Information	300	

Knoll and Sustainable Design

Each year Knoll sets key initiatives in our journey to sustainability. We are members of a global consortium on energy, have adopted a scientific, metrics-based approach to sustainable product design, and maintain a leadership position in establishing universal, verifiable, sustainability standards for our industry.

Knoll promotes independent third-party certification because it provides the most impartial and trustworthy foundation for industry-wide environmental compliance. Certification by established and respected third parties ensures that all manufacturers are held to the same high standards and that customers can trust a company's declaration about the environmental benefits of its products. Knoll third-party partners include: the International Standards Organization (ISO); Forest Stewardship Council (FSC®); Rainforest Alliance; GREENGUARD® Environmental Institute; and The Business and Institutional Furniture Manufacturer's Association (BIFMA) level® certification from Scientific Certification Systems (SCS).

In addition, Knoll is aligned with the U.S. Green Building Council and can help companies, healthcare organizations and educational institutions achieve Leadership in Energy and Environmental Design (LEED®) workplace certification.

Global Climate Change

- Knoll is a sponsor of the Clinton Global Initiative, which brings together a community of global leaders to devise and implement solutions to some of the world's most pressing challenges, including environmental change.
- Knoll has a comprehensive Energy Management Program to increase energy efficiency in products and processes.

Life Cycle Assessment (LCA) Tool

- Life Cycle Assessment is a science-based measurement of a product's environmental impacts throughout its life cycle, from raw materials sourcing through manufacture, shipping, use and re-use or end-of-life. LCA enables cradle-to-cradle implementation of sustainable practices.
- Knoll has partnered with The Green Standard.org to develop an affordable, universal ISO-compliant computer-based LCA tool that can be used by the entire contract furniture industry and is partnering on the development of an Environmental Product Declaration System (EPDs) for Knoll products. EPDs are verified documents containing LCA results and additional environmental performance information about a product.

Setting Industry Standards

- Knoll partners with MTS (The Institute for Market Transformation to Sustainability) to develop the SMaRT® Consensus Sustainable Products Standards, a set of consensus-based sustainable product standards based on the LEED® model, for all building products, fabric, apparel, flooring and carpet. MTS, the developer of SMaRT®, is an accredited American National Standards Institute (ANSI) standard developer.
- Knoll also partners with BIFMA (Business and Institutional Furniture Manufacturers Association) to promote level® sustainability standards for the contract furniture industry.
- Knoll has established FSC® (Forest Stewardship Council) certified wood as the standard for general office open plan office systems, casegoods and tables.
- Knoll has launched Full Circle, a resource recovery program developed with ANEW, to help customers extend the life cycle of surplus furniture, fixtures and equipment (FF&E) in an economically, socially and environmentally responsible manner.
- Our goal is to encourage all manufacturers in the contract furniture industry and related industries to adopt standards that will lead to sustainable products and practices.

For more information about Knoll and sustainable design, visit knoll.com/environment.

Antenna Workspaces is a new approach to workplace design that reflects the freedom and mobility people seek in today's office. Antenna Workspaces considers the growing variety of settings where work takes place and blends desks, tables, storage units and screens to create intuitive solutions for individuals and groups. A natural extension of the Knoll commitment to protect the biosphere, conserve natural resources and reduce waste, Antenna Workspaces is environmentally responsible in manufacturing process and materials.

Antenna is Level 3 certified by ANSI/BIFMA, and is GREENGUARD Children and Schools Indoor Air Quality Certified. GREENGUARD certification is recognized by the U.S. Green Building Council's LEED Program. Antenna Workspace can contribute to LEED certification for Existing Buildings, Commercial Interiors and New Construction.

Visit GREENGUARD.org for more information and to find printable certificates for Antenna Workspaces that can be used for verification and LEED submission. Material content for a complete, average Antenna Workspaces workstation is 13.13% post-consumer recycled content, and 47.7% post-industrial recycled content.

Antenna Workspaces environmentally responsible manufacturing processes and materials include:

PVC-free

Laminate top edge band material is PVC-free ABS. Acrylonitrile Butadiene Styrene (ABS) is a polymer used as an alternative to PVC and rubber. It is phthalate-free, flame retardant, has high heat and impact resistance, good processability, dimensional stability and high gloss.

Fiberglass-Free

Fabric screens utilize PET tackable material with 25% pre-consumer recycled content.

FSC-Certified

Wood components are standard FSC certified with North American hardwood veneers.

Recovered Particleboard

Antenna tops and fabric screens have FSC certified, 100% recovered particleboard cores.

VOC-Free Finishes

Water-based wood stains and UVcured polyurethane wood top coats are virtually VOC-free.

VOC-Free Adhesives

Water-based adhesives used to adhere laminate and veneer to substrate are 99% VOC-free.

Recycled Steel

Legs and rails have 30-45% recycled steel content.

Recycled Aluminum

Cradles that connect legs and rails have 44% recycled content cast aluminum.

Recycled Fabric

Screens are available with 100% recycled content fabric.



An Overview

The introduction section of the Price List includes a visual index of product components, an explanation of material, finish and fabric options, grain direction planning guidelines and an introduction to the basic elements and planning guidelines for Antenna Workspaces.

The product portion of the Price List starts with a section of preconfigured desks and tables, orderable by a single pattern number, and continues with an outline of the Antenna Workspaces scope by individual product categories. Products include tops, desk and table support, power and communications, fence components, screens and storage components.

Can't find it? Consult the Table of Contents on page 2 or the Alphanumeric Index at the end of the Price List.

The Knoll selling policy, warranty, KnollKey lock program and general ordering information are also located in the back of the Price List.

Product Information on Each Page

The Antenna Workspaces Price List was designed to provide you with everything you need to know in order to understand, plan and specify Antenna Workspaces. On each page, the following features will assist you:

The *description* explains salient features, capabilities, materials and size.

The *type* gives helpful planning information either in regard to product applications or quantities of products.

The *dimensions* provide width, depth and height of the product.

The *pattern number* is the specific code required to order the size and material desired.

The *ordering information* outlines exactly how to specify Antenna Workspaces product and the full scope of finish options.

The *order code* provides an example of how one pattern number is specified.

The *included with* section identifies all other items that will be included with the product.

The *options section* lists all finish, material and feature options available on the product.

Use the Following Addresses

If you would like to send a standard lead time order to our order entry department, please use the following address:

For North American orders:

Knoll, Inc.
1235 Water Street
East Greenville, PA 18041
Attn: Order Entry
Fax: 215 679-1788
Tel: 800 343-KNOLL

All accepted orders will be confirmed in writing on the Knoll standard order confirmation form.

Ship-Complete Orders

Orders that must ship complete are to be so stated on the purchase order. Products with different lead times, combined on one order, can be acknowledged for shipment based on the longest of those lead times.

Orders not marked "ship complete" will be released according to the confirmation and invoiced in increments.

For More Information

For more information, contact your Knoll sales representative, a Knoll dealer, or telephone Customer Service at **1-800-343-KNOLL**.

For specific product applications for each finish refer to the finish matrix on the following pages.

KNOLL CORE LAMINATES

Solid Colors

111	Jet Black*
114	Folkstone Grey* (S)
115	Medium Grey*
117	Soft Grey*
118	Bright White* (S)
119	Pumice*
128	Fog*

(S) S Screen finish option

Patterned

121	Micro Grey
122	Brushed Sand
123	Brushed Grey
129	Micro Sand

Brushed Sand (122) and Brushed Grey (123) are not available on laminate screens 60" and wider and on modesty or end panels of any size.

Wood Grain

124	Medium Cherry*
125	Natural Maple*
126	Natural Cherry*
127	Walnut*

*Matching edgeband available

ACCENT LAMINATE

130	Dark Red
131	Slate Blue
132	Olive Green
133	Canary Yellow
134	Knoll Red

COLOR CORE LAMINATES

311	Solid Gallery White
312	Solid Folkstone

MARKERBOARD LAMINATE

M	Markerboard
---	-------------

GLASS SCREENS

TEMP	Clear
GL13	Powder
GL35	Grey Tinted

GLASS TOPS

TEMP	Clear
GL13	Powder
GL85	Starfire Clear
GL35	Grey Tinted
GL11	Back Painted Black
GL45	Back Painted White

PLATED FINISH

PD	Chrome
----	--------

ANODIZED FINISH

AA	Anodized Aluminum
----	-------------------

KNOLL CORE PAINTS

111T	Jet Black
112T	Brown
113T	Dark Grey
114T	Folkstone Grey
115T	Medium Grey
116T	Sandstone
117T	Soft Grey
118T	Bright White
611T	Beige Mist Metallic
612T	Medium Metallic Grey
613	Silver

ACCENT PAINTS

130	Dark Red
131	Slate Blue

COMBINATION LAMINATE

Laminate storage cabinets specified with different laminate finishes on the exterior and interior of the case have unique four digit finish codes. The first two digits designate the exterior laminate finish and the second two digits designate the interior laminate finish. For example: 4130 is for a cabinet with a Folkstone Grey exterior and a Dark Red interior.

Exterior Laminates

41	Folkstone Grey
10	Medium Grey
58	Fog
61	Jet Black
71	Soft Grey
81	Bright White
91	Pumice

Interior Laminates

11	Jet Black
14	Folkstone Grey
15	Medium Grey
17	Soft Grey
18	Bright White
19	Pumice
28	Fog
30	Dark Red
31	Slate Blue
32	Olive Green
33	Canary Yellow
34	Knoll Red

KNOLL CORE VENEERS

V1 Techwoods

Y316	Maple Techwood
Y319	Cherry Techwood
Y323	Medium Walnut Techwood
Y326	Dark Mahogany Techwood
Y329	Medium Oak Techwood
Y341	Wenge Techwood
Y342	Medium Teak Techwood
Y344	Espresso Techwood
Y811	Natural Techwood (S)
Y821	Blond Maple Techwood
Y831	Light Cherry Techwood
Y851	Black Oak Techwood
Y881	Light Walnut Techwood
Y882	Dove Grey Techwood

V2 Techwoods

Y841	Ebony Techwood
Y861	Grigio Techwood (S)

V2 Natural Veneers

V440	Natural Hemlock (S)
V312	Bronze Cherry
V316	Maple
V319	Medium Cherry
V411	Light Walnut
V412	Natural Cherry
V413	Sand Oak
V414	Natural Oak
V415	Peacock Green Walnut
V417	Old English Walnut
V421	Chalk Oak
V423	Light Oak
V433	Light Fawn Cherry
V436	Medium Brown Cherry
V439	Straight Anigre

V3 Natural Veneers

V512	Figured Anigre
V513	Graphite Oak
V514	Makore
V515	Figured Sycamore
V517	Sapele
V518	Natural Chestnut (S)

(S) S Screen finish option

Overlay tops specified with a veneer top and/or edge are available in any V1, V2 or V3 finish except for the following three veneers:

- Wenge (Y341)
- Medium Teak (Y342)
- Dark Grey Oak (Y343)

Product Description	No Finish Option	Antenna Approved Fabrics	Knoll Core Solid Color Laminates	Knoll Core Patterned Laminates	Knoll Core Wood Grain Laminates	Accent Laminates	Color Core Laminates	Markerboard Laminate	Glass	Plated Finish	Knoll Core Paints	Accent Paints	Knoll Core Veneers
Preconfigured Desks and Big Tables													
Antenna Leg Base Tables													
	Top Finish		*	*	*				*				*
	Edge Finish (Laminate Only)		*		*								*
	Leg/Cradle Finish									*	*	*	
Y-base Tables													
	Top Finish		*	*	*								*
	Edge Finish (Laminate Only)		*		*								*
	Base Finish										*	*	
	Grommet Finish										*	*	
Tops													
Antenna Tops													
	Top Finish		*	*	*								*
	Edge Finish (Laminate Only)		*		*								*
Overlay Tops													
	Top Finish						*						*
	Edge Finish (Laminate Only)												*
Desk and Table Support													
Rails													
											*	*	
Desk Connectors													
											*	*	
Desk Support Adapters													
											*	*	
Components for Reconfigurations													
											*	*	
Center Beam for Big Tables													
											*	*	
KnollExtra Sapper Mounts for Desks and Big Tables													
											*	*	
KnollExtra Keyboard Tray and CPU Holder Mounts													
	*												
End Legs and Intermediate Legs													
											*	*	
Standing Height Intermediate Leg Brace (chrome only)													
									*				
Table Desk End Legs													
	Leg Finish									*	*	*	
	Cradle Finish										*	*	
Modesty, Back Panels and End Panels													
	Surface Finish		*	*							*		*
	Bracket Finish										*		
Power and Communications													
Electrical Components													
	*												
Power Harness Mounting Brackets													
											*	*	
Raceway Covers													
											*	*	
Raceway End Caps													
											*	*	
Desktop Outlet Center													
	*												
Desk Mount Outlet Center Shroud													
											*	*	

Product Description	No Finish Option	Antenna Approved Fabrics	Knoll Core Solid Color Laminates	Knoll Core Patterned Laminates	Knoll Core Wood Grain Laminates	Accent Laminates	Color Core Laminates	Markerboard Laminate	Glass	Plated Finish	Knoll Core Paints	Accent Paints	Knoll Core Veneers
Communications Outlet Mounts											*	*	
Cable Baskets and Mount Kits	*												
Vertical Wire Manager											*		
Cable Clips	*												
Fence Components													
Frames	*												
Individual Legs											*		
Stabilizer Foot											*		
Crown Top Caps											*		
Flat Ends											*		
Connectors											*		
Electrical Components	*										*		
Upper Outlet Covers											*		
Upper Cable Tray Covers											*		
Upper Slatwall Covers											*		
Upper/Lower/Full Painted Covers											*		
Upper/Lower/Full Laminate Covers			*	*									
Upper/Lower/Full Veneer Covers													*
Screens													
Desk Screens													
	Surface Finish	*	*	*				*					*
	Frame Finish Finish (Fabric Only)										*		
	Bracket Paint Finish										*		
Center Screens													
	Surface Finish	*	*	*				*	*				*
	Frame Finish Finish (Fabric Only)										*		
	Bracket Paint Finish										*	*	
Intermediate Screens													
	Surface Finish	*	*	*				*	*				*
	Frame Finish Finish (Fabric Only)										*		
	Bracket Paint Finish										*	*	
End Screens for Big Table													
	Surface Finish		*	*				*					
	Bracket Finish										*	*	
Enclave End Panel													
	Surface Finish		*	*				*					
Fence Screens													
	Surface Finish	*	*	*				*	*				*
	Frame Finish Finish (Fabric Only)										*		
	Bracket Paint Finish										*		

Product Description	No Finish Option	Antenna Approved Fabrics	Knoll Core Solid Color Laminates	Knoll Core Patterned Laminates	Knoll Core Wood Grain Laminates	Accent Laminates	Color Core Laminates	Markerboard Laminate	Glass	Plated Finish	Knoll Core Paints	Accent Paints	Knoll Core Veneers
S Screens (See Material & Finish Options Page for Exceptions)													
	Surface Finish		*										*
	Bracket Paint Finish										*		
Floorstanding L Screens													
	Vertical Surface Finish		*	*									*
	Bracket Paint Finish										*		
Storage Components													
Edge Pull										*	*	*	
Insert Pull										*			
Loop Pull											*	*	
Metal Pedestals													
	Drawer Front Finish			*	*	*					*		*
	Case Finish										*		
	Pull Finish									*	*	*	
Seat Cushion		*											
Pencil Tray	*												
Laptop Drawer											*		
Drawer Pad	*												
Cable Net	*												
Suspended Wood File													
	Case Finish Exterior		*										*
	Case Finish Interior		*			*							*
	Door Finish		*										*
	Pull Finish									*	*	*	
	Bracket Paint Finish										*	*	
Suspended Open Cabinets													
	Case Finish Exterior		*										*
	Case Finish Interior		*			*							*
	Bracket Paint Finish										*	*	
Extension Cabinets													
	Case Finish Exterior		*										*
	Case Finish Interior		*			*							*
Fabric Inserts for Extension Cabinets		*											
Mounting Brackets for Extension Cabinets											*	*	

Product Description	No Finish Option	Antenna Approved Fabrics	Knoll Core Solid Color Laminates	Knoll Core Patterned Laminates	Knoll Core Wood Grain Laminates	Accent Laminates	Color Core Laminates	Markerboard Laminate	Glass	Plated Finish	Knoll Core Paints	Accent Paints	Knoll Core Veneers
Stanchion Mounted Open/Enclosed Wood Cabinets													
Case Finish Exterior			*										*
Case Finish Interior			*			*							*
Stanchion Mounted Cabinet Door Sets													
Door Finish			*										*
Pull Finish										*	*	*	
Stanchion Mounted Open Metal Cabinets													
Stanchion Mounted Shared Metal Cabinets													
Case Finish											*		
Door Finish											*		
Pull Finish											*	*	
Platforms													
			*										*
Stanchions													
											*	*	
Cantilever Shelf													
Shelf Finish			*										*
Bracket Paint Finish											*	*	
Desk-End Open Cabinets													
Case/Shelves Finish			*										*
Bracket Paint Finish											*		
Desk-End Enclosed Cabinets													
Case/Door Finish			*										*
Pull Finish										*	*	*	
Bracket Paint Finish											*		
Desk-End Cabinet Shelf Set													
			*										*
Floorstanding L Cabinets													
Case/Shelves/Door Finish			*										*
Pull Finish										*	*	*	
File, Enclosed & Partially Enclosed Cabinets													
Case/Shelves/Door Finish			*										*
Pull Finish										*	*	*	
Open Shelf Cabinets													
Case/Shelves Finish			*										*
Shelf Finish			*										*
Wall Mounted Wood Cabinets													
Case Exterior Finish			*										*
Case Interior Finish			*			*							*

Product Description		No Finish Option	Antenna Approved Fabrics	Knoll Core Solid Color Laminates	Knoll Core Patterned Laminates	Knoll Core Woodgrain Laminates	Accent Laminates	Color Core Laminates	Markerboard Laminate	Glass	Plated Finish	Knoll Core Paints	Accent Paints	Knoll Core Veneers	Anodized Aluminum	Knoll Bright White Paint Only	Knoll Silver Paint Only	Black/White	
Wall Mounted Wood Cabinet Door Sets																			
	Door Finish			*										*					
	Pull Finish											*	*						
LED Task Light												*							
Wall-Mounted Metal Enclosed Cabinets																			
	Case Finish											*							
	Door Finish											*							
	Pull Finish											*	*						
LED Task Light		*																	
Interpole																			
Poles																			
	Pole Extrusion														*	*			
	Covers														*	*			
	Leveler Caps	*																	
Electrical Components																			
	Power Components	*																	
	Duplex Outlets																		*
	Edge Liner	*																	
Accessories																			
	Outlet Covers														*	*			
	Cable Clips	*																	
	Ceiling Tile Trim Kit															*	*		
	Extension Pole Hardware Kit	*																	
	Cantilever Shelf			*										*					
	Shelf Support Bracket										*	*							
	Coat Hook												*						
	Bag Hook												*						
	Round Platform	*																	
	Round Platform L-Bracket										*	*							
Screens																			
	Surface Finish		*						*	*									
	Frame Finish														*	*			
Storage																			
	Case Finish Exterior			*										*					
	Case Finish Interior			*			*												
	Door Finish			*										*					
	Support Bracket Paint Finish	*																	

KnollTextiles Approved for Screens and Fabric Inserts

Grade 10

- Annex (W1360)
- Beacon (W1597)
- Broadcloth II (W1619)
- Element (W1077)
- Foundation (W351)
- Growth Spurt (W692)
- Skylark (W1718)
- Symbolic Details (W693)
- Tailor Made II (W1610)
- Versatility (W432)

Grade 20

- Bauhaus Block (W296)
- Circle Line (W1146)
- Clarity (W281)
- Criss Cross (W305)
- Logic (W1318)
- Mainframe (W1783)
- Nematic II (W1620)
- Photon II (W1695)
- Reflect (W884)
- Resolution (W280)
- Weave Three (W298)

Grade 30

- Basket Draft (W249)
- Flow (W565)
- Harmony (W232)
- Interknit (W1090)
- Micro (W465)
- Relay (W1020)

Grade 40

- Amplify (W1215)
- Bandwidth (W1219)
- Hourglass (K1523)
- Ornament (W1078)
- Palladium (W1030)
- Spellbound (W1464)

Grade 50

- Presto (K1000)

Grade 55

- Ransom (K1298)
- Transition (W816)

COM (Customer's Own Material)

COM can be applied to Antenna Workspaces product on a select basis. Please consult your Knoll Customer Service Representative for details on the COM approval process and testing requirements. Pricing for COM fabrics is at Grade 10.

Note: Always contact your Customer Service Representative prior to sending any COM (including pre-approved KnollTextiles) to the manufacturing facility.

COM Yardage Requirements for Screens and Fabric Inserts

The total yardage is for both sides of the screen. Yardage requirements assume the fabric is 66" wide. If the COM is less than 66" wide, add 15% to the total yardage.

DESK MOUNTED SCREENS	Pattern Number	Total Yds.
	YPSB3824F	1.14
YPSB3827F	1.14	
YPSB3830F	1.14	
YPSB3836F	2.28	
YPSB3842F	2.28	
YPSB3848F	2.28	
YPSB3854F	2.28	
YPSB3860F	2.28	
YPSB3866FRR	3.80	
YPSB3872FRR	4.12	
YPSB3224F	0.94	
YPSB3227F	0.94	
YPSB3230F	0.94	
YPSB3236F	1.90	
YPSB3242F	1.90	
YPSB3248F	1.90	
YPSB3254F	1.90	
YPSB3260F	1.90	
YPSB3266FRR	3.80	
YPSB3272FRR	4.12	
YPSB2624F	0.78	
YPSB2627F	0.78	
YPSB2630F	0.78	
YPSB2636F	1.58	
YPSB2642F	1.58	
YPSB2648F	1.58	
YPSB2654F	1.58	
YPSB2660F	1.58	
YPSB2666FRR	1.90	
YPSB2672FRR	2.06	
YPSB2024F	0.60	
YPSB2027F	0.60	
YPSB2030F	0.60	
YPSB2036F	1.20	
YPSB2042F	1.20	
YPSB2048F	1.20	
YPSB2054F	1.20	
YPSB2060F	1.20	
YPSB2066FRR	1.26	
YPSB2072FRR	1.38	

FENCE SCREENS	Pattern Number	Total Yds.
	YPSF2124F	0.64
YPSF2136F	1.30	
YPSF2148F	1.30	
YPSF2160F	1.30	
YPSF2172FRR	2.06	
YPSF1424F	0.46	
YPSF1436F	0.92	
YPSF1448F	0.92	
YPSF1460F	0.92	
YPSF1472FRR	1.38	
YPSF2424F	0.72	
YPSF2436F	1.46	
YPSF2448F	1.46	
YPSF2460F	1.46	
YPSF2472FRR	2.06	
YPSF1724F	0.54	
YPSF1736F	1.08	
YPSF1748F	1.08	
YPSF1760F	1.08	
YPSF1772FRR	1.38	

BIG TABLE SCREENS	Pattern Number	Total Yds.
	YPSC2124F	0.64
YPSC2130F	0.64	
YPSC2136F	1.30	
YPSC2142F	1.30	
YPSC2148F	1.30	
YPSC2154F	1.30	
YPSC2160F	1.30	
YPSC2166FRR	1.90	
YPSC2172FRR	2.06	
YPSC1424F	0.46	
YPSC1430F	0.46	
YPSC1436F	0.92	
YPSC1442F	0.92	
YPSC1448F	0.92	
YPSC1454F	0.92	
YPSC1460F	0.92	
YPSC1466FRR	1.26	
YPSC1472FRR	1.38	





FABRIC INSERTS	Pattern Number	Total Yds.
	YSDXFB18	0.15
YSDXFB24	0.24	
YSDXFB27	0.24	
YSDXFB30	0.24	
YSDXFB36	0.47	
YSDXFB53	0.48	
YSDXFB59	0.48	
YSDXFB65	0.95	
YSDXFB77	0.95	

INTERMEDIATE SCREENS	Pattern Number	Total Yds.
	YPSI1418F	0.30
YPSI1424F	0.46	
YPSI1427F	0.46	
YPSI1430F	0.46	
YPSI1436F	0.92	
YPSI1416F	0.30	
YPSI1419F	0.30	
YPSI1422F	0.46	
YPSI1428F	0.46	
YPSI2118F	0.42	
YPSI2124F	0.64	
YPSI2127F	0.64	
YPSI2130F	0.64	
YPSI2136F	1.30	
YPSI2116F	0.42	
YPSI2119F	0.42	
YPSI2122F	0.64	
YPSI2128F	0.64	










INTERPOLE SCREENS	Pattern Number	Total Yds.
	IPSC6436NLF	1.82
IPSC6442NLF	1.82	
IPSC6448NLF	1.82	
IPSC6454NLF	1.82	
IPSC6460NLF	1.82	
IPSC6436TLF	1.82	
IPSC6442TLF	1.82	
IPSC6448TLF	1.82	
IPSC6454TLF	1.82	
IPSC6460TLF	1.82	



**Knoll Textiles Options
for Mobile Pedestal
Seat Cushions**

Grade A




Alignment 
 Analogy
 Bocce
 Cat's Cradle
 Common Ground 
 Dristi
 Foil Rap
 Heavy Metal
 Mariner
 Metaphor
 Monarch 
 Prep
 Presto 
 Stacks


Grade B

Abacus 
 Atals
 Backdrop
 Bank Shot 
 Belize
 Betwixt 
 Chroma 
 Classic Boucle 
 Close Knit
 Dovetail 
 Fast Forward
 Field Day 
 Forza
 Grande
 Knoll Felt
 Knoll Hopsack
 Lyric
 Mini Stitch 
 Night Life
 Nonchalant CR
 Paradigm
 Pogo 

Pop
 Ransom
 Ricochet 
 Spark
 Spotlight
 Techno Tweed
 Triple Lace
 Utmost
 Vinyl
 Wide Angle 
 Zephyr

Grade C


Biota 
 Charm
 Circa
 Cricket
 Decade
 Earthwork
 Echo
 Empire Stripe
 Enmesh 
 Entourage
 Fable CR
 Fibra
 Fox Trot CR
 Gala 
 Highline CR
 Kaleidoscope CR
 Kora CR
 Legend CR
 Lore CR
 Metro
 Moto CR
 Panache CR
 Parasol
 Pony Up
 Posh
 Quark
 Regard CR
 Rio
 Roundtrip
 Sahara

Sandpiper
 Sequin CR
 Smart
 Spectator
 Spot On
 Star Struck
 Stepping Stones
 Swing
 Transition 
 Treble CR
 Vibe
 Zari CR

Grade D

Cavalier
 Compass CR
 Eclat Weave
 Harrison
 Hologram
 In The Loop
 Masquerade
 Obi
 Satellite
 Zoom


Grade E

Cross Stitch 
 Kimono
 Madison
 Mamba
 Whip

Grade F

Century
 Coco
 Cornaro
 Cuddle Cloth
 Groove Line
 Icon
 Rivington
 Topography
 Tweed Frieze
 Una

Grade G

Gibson
 Haze
 Rattan
 Spencer
 Ultrasuede 

Grade H

Arno 
 Lyonese Velvet

Grade I

Cato

**Spinneybeck Leather
Options for Mobile
Pedestal Seat Cushions**

Grade U

Volo

Grade V

Andes
 España
 Maremma
 Velluto Pelle

Grade W

Alaska
 Amazon
 Arizona
 Derby
 Sabrina

Grade X

Ducale
 Ducale Velours
 Grade Y
 Cervo
 Copenhagen
 Cordovan
 Distressed
 Marissa
 Prima
 Riva
 Saddle
 Salon

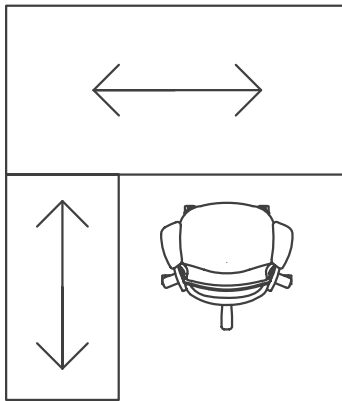
Pedestal cushions are upholstered (from the front to the back of the pedestal) with the fabric direction matching the textile sample.

**COM (Customer's
Own Material)**

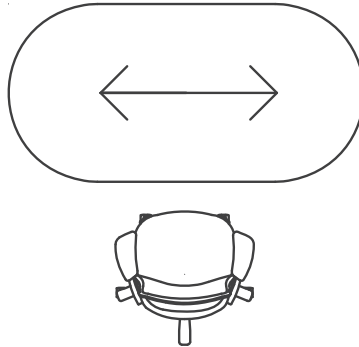
COM can be applied to Antenna Workspaces product on a select basis. Pricing for COM fabrics is at Grade B.

Note: Always contact your Customer Service Representative prior to sending any COM (including pre-approved KnollTextiles) to the manufacturing facility. Yardage requirements assume the fabric is 66" wide. If the COM is less than 66" wide, add 15% to the total yardage. For Customers Own Material (COM) applications, specify 0.75 yards of fabric for 17" deep mobile pedestal seat cushions and 0.90 yards for 23" deep seat cushions.

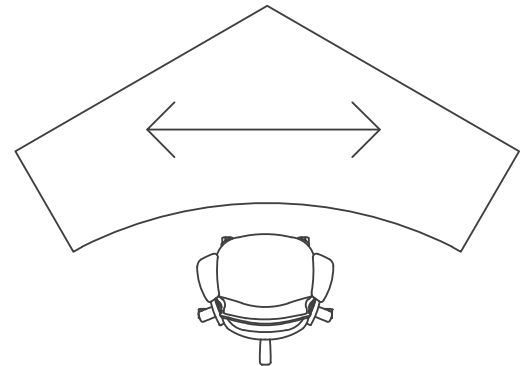
 = CAL 133 Pre-approved



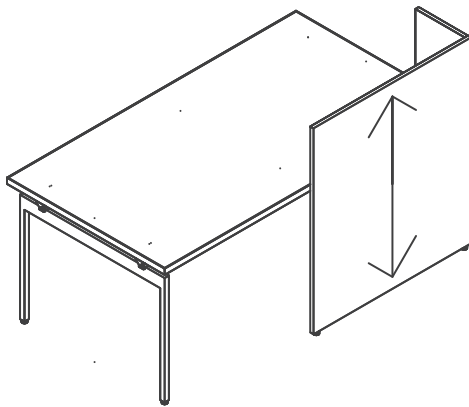
Rectangular Tops



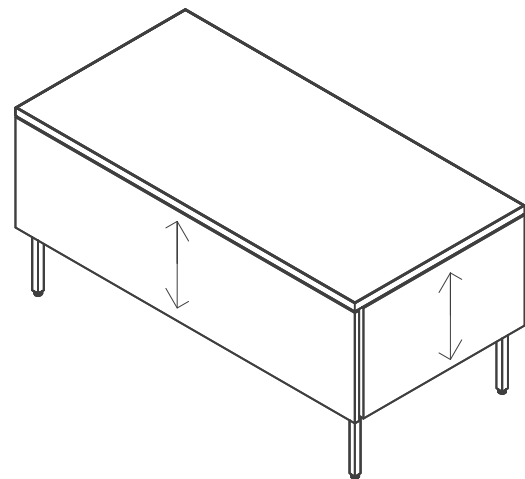
Track Shaped Tables



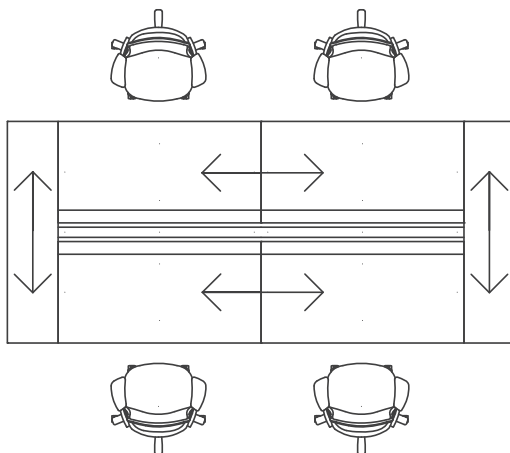
120 Degree Tops



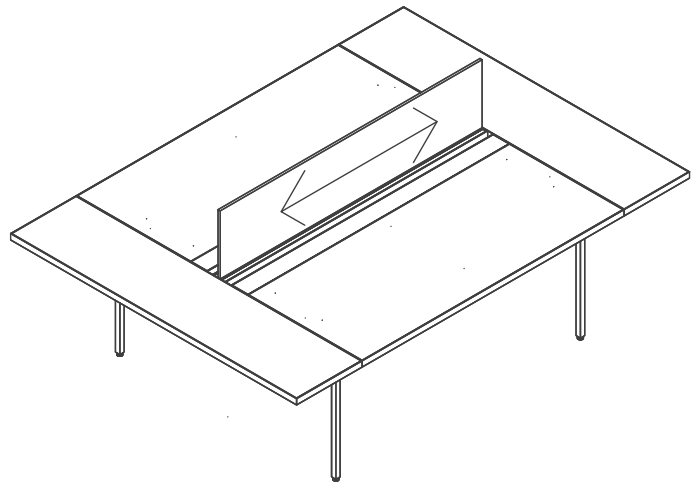
Desk Mounted and Floorstanding Screens



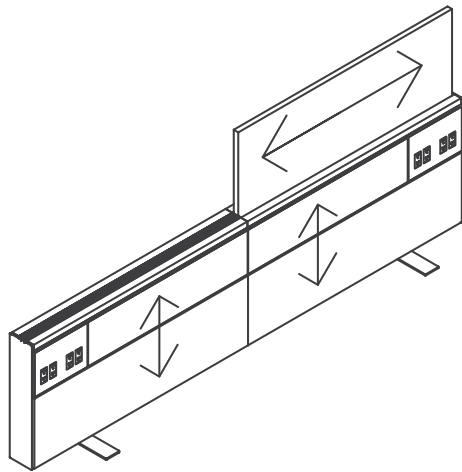
Modesty and End Panels



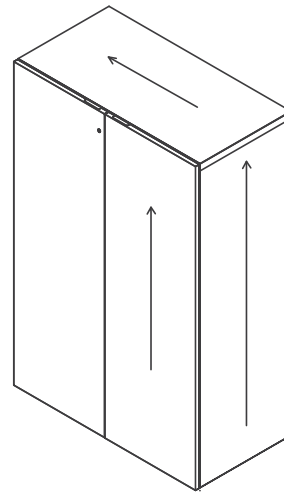
Big Table with Extension Tops or Cabinets



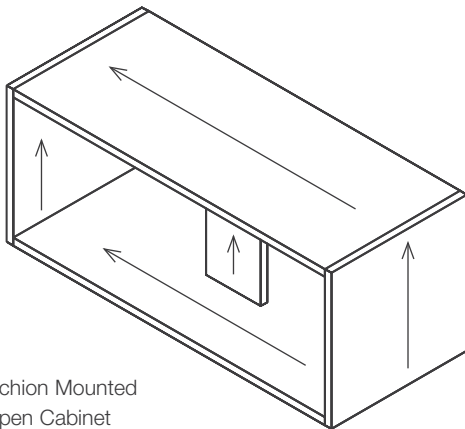
Big Table and Fence Screens



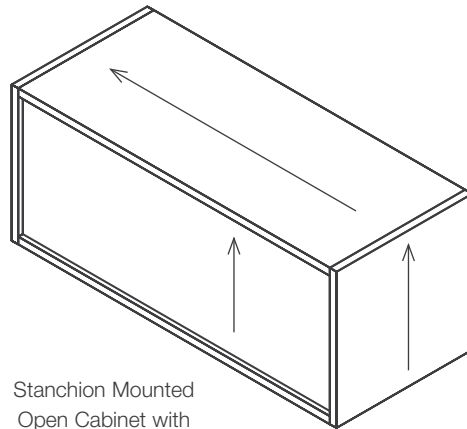
Fence Covers
and Screens



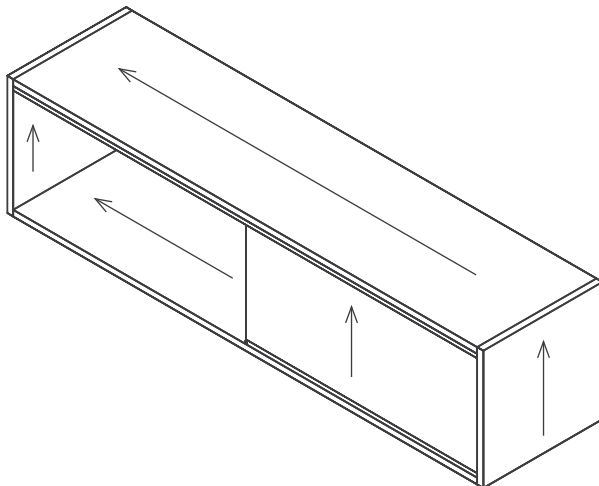
Floorstanding Cabinets



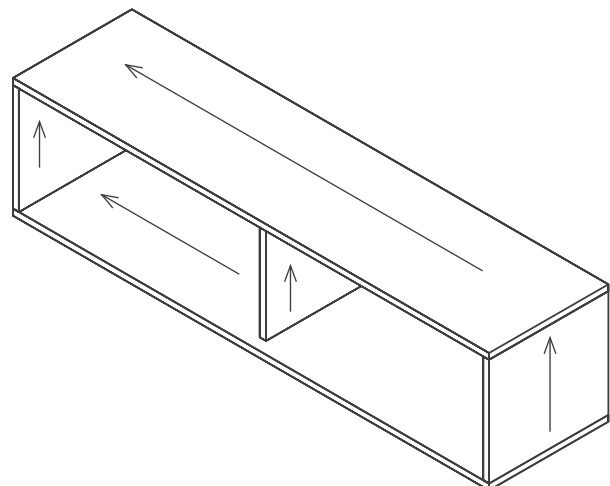
Stanchion Mounted
Open Cabinet



Stanchion Mounted
Open Cabinet with
Open Front with
Enclosed Back



Stanchion Mounted Shared Cabinet



Wall Mount Open Cabinet

Wall Mounting Suggestions

The following information is provided only as a guide, and represents minimum recommendations only. Knoll does not accept responsibility for the attachment of any Knoll product to a Customer's site wall. Wall specification/construction is the responsibility of the Customer and its structural engineer/architect. Failure to properly attach Knoll products to adequate wall structures can lead to property damage and/or personal injury.

You should consult your own structural engineers and/or architects and must not rely on the information provided herein.

It is the responsibility of the Customer and its structural engineers/architects to verify that the permanent structural walls (studs, blocks, solid masonry, etc.) on which the Knoll products are intended to be mounted

are designed appropriately to support the product weight, PLUS 3 lbs. per linear inch for each useable shelf length

NOTE: A cabinet's top is considered a "useable shelf" and MUST be included in the calculation of the total load for an overhead cabinet.

It is the responsibility of the Customer and its structural engineer/architects to specify the fasteners and method for attaching the Knoll supplied wall mounting cleat, bracket, frame, etc. to the supporting wall and to confirm that the installers have adhered to these specifications. For all local building standards and codes, and additional requirements (including, but not limited to, seismic conditions) the Customer should always consult local code agencies.

	EXISTING CONSTRUCTION					
	NEW CONSTRUCTION	Cinder Block or Poured Concrete Masonry Wall	Wood Stud Wall, the studs being FULL HEIGHT to the roof/floor above	Wood Stud Wall, the studs being only Ceiling Height	Steel Stud Wall, the studs being FULL HEIGHT to the roof/floor above	Steel Stud Wall, the studs being only Ceiling Height
Stud Specification	Wood studs, grade #2 or better, 3 1/2" minimum width, OR Metal studs, minimum 25 gage thickness, 3 5/8" minimum width	The wall must be a minimum of 6" thick, and must be full height to the roof/ floor structure above	Wood studs must be Grade #2, or better, 3 1/2" minimum width	Wood studs must be Grade #2, or better, 3 1/2" minimum width	Metal studs must be minimum 25 gage thickness, 3 5/8" minimum width	Metal studs must be minimum 25 gage thickness, 3 5/8" minimum width
Stud Centers	Metal and wood studs must be spaced at 16" c/c maximum	N/A	Wood studs must be spaced at 16" c/c maximum	Wood studs must be spaced at 16" c/c maximum"	Metal studs must be spaced at 16" c/c maximum	Metal studs must be spaced at 16" c/c maximum
Stud Height	Metal and wood studs must extend upwards, and be securely attached to the roof/ floor structure above			Wood studs must be braced above the ceiling, and be securely attached to the roof/floor structure above Affix #2 grade 'cap' across the top of the studs, then place diagonal studs from the top cap up to underside of the roof/ floor structure above		Metal studs must be braced above the ceiling, and be securely attached to the roof/floor structure above Affix metal bracing 'cap' across the top of the studs, then place diagonal studs from the top cap up to underside of the roof / floor structure above
Mounting the Knoll Supplied Cleat, Bracket, Frame, etc*	Insert a 2" X 6" wood block, #2 grade or better, [or a Danback™ flexible wood backing system] horizontally between each of the studs to accommodate the full width of the cabinet, and beyond to the next stud. Fasten the wood block to each stud using three screws at the ends of each block. (Fasten the Danback™ as directed by the manufacturer) Fasten the Knoll supplied wall mounting cleat, bracket, frame, etc directly to each wood block every 6" For wall mounting structures that have a rectangular frame-like configuration: fasten the top horizontal element of the frame to the wood blocking every 6", and fasten the lower horizontal element to each wall stud, using one fastener per stud.	Fasten the Knoll supplied cabinet wall mounting cleat, bracket, frame, etc. directly to the masonry wall every 6" For wall mounting structures that have a rectangular frame-like configuration: fasten the top horizontal element of the frame to the wall every 6", and fasten the lower horizontal element to the wall every 16"	In the desired location of the cabinet mounting rail, remove an 8" high section of drywall the width of the cabinet, and beyond to the next stud. Insert a 2" X 6" wood block, #2 grade or better, horizontally between each of the exposed studs. Fasten the wood block to each stud using three screws at the ends of each block. Replace the drywall and repair as desired. Fasten the Knoll supplied wall mounting cleat, rail, frame, etc directly to the wood block every 6" For wall mounting structures that have a rectangular frame-like configuration: fasten the top horizontal element of the frame to the wood blocking every 6", and fasten the lower horizontal element to each wall stud, using one fastener per stud.	In the desired location of the cabinet mounting rail, remove an 8" high section of drywall the width of the cabinet, and beyond to the next stud. Insert a 2" X 6" wood block, #2 grade or better, horizontally between each of the exposed studs. Fasten the wood block to each stud using three screws at the ends of each block. Replace the drywall and repair as desired. Fasten the Knoll supplied wall mounting cleat, rail, frame, etc directly to the wood block every 6" For wall mounting structures that have a rectangular frame-like configuration: fasten the top horizontal element of the frame to the wood blocking every 6", and fasten the lower horizontal element to each wall stud, using one fastener per stud.	In the desired location of the cabinet mounting rail, remove an 8" high section of drywall the width of the cabinet, and beyond to the next stud. Insert a 2" X 6" wood block, #2 grade or better, [or a Danback™ flexible wood backing system] horizontally between each of the exposed studs. Fasten the wood block to each stud using three screws at the ends of each block. Replace the drywall and repair as desired. Fasten the Knoll supplied wall mounting cleat, rail, frame, etc directly to the wood block every 6" For wall mounting structures that have a rectangular frame-like configuration: fasten the top horizontal element of the frame to the wood blocking every 6", and fasten the lower horizontal element to each wall stud, using one fastener per stud.	In the desired location of the cabinet mounting rail, remove an 8" high section of drywall the width of the cabinet, and beyond to the next stud. Insert a 2" X 6" wood block, #2 grade or better, [or a Danback™ flexible wood backing system] horizontally between each of the exposed studs. Fasten the wood block to each stud using three screws at the ends of each block. Replace the drywall and repair as desired. Fasten the Knoll supplied wall mounting cleat, rail, frame, etc directly to the wood block every 6" For wall mounting structures that have a rectangular frame-like configuration: fasten the top horizontal element of the frame to the wood blocking every 6", and fasten the lower horizontal element to each wall stud, using one fastener per stud.
*Graham Wall Hung Shelf	The Graham Wall Hung Shelf Bracket (and others like it) requires full support behind the full height of the bracket This should be accomplished by insertion of additional 2"X 6" wood blocking between the studs as defined above	Fasten the Knoll supplied wall mounting brackets directly to the masonry wall, using the holes provided in each bracket	The Graham Wall Hung Shelf Bracket (and others like it) requires full support behind the full height of the bracket This should be accomplished by insertion of additional 2"X 6" wood blocking between the studs as defined above	The Graham Wall Hung Shelf Bracket (and others like it) requires full support behind the full height of the bracket This should be accomplished by insertion of additional 2"X 6" wood blocking between the studs as defined above	The Graham Wall Hung Shelf Bracket (and others like it) requires full support behind the full height of the bracket This should be accomplished by insertion of additional 2"X 6" wood blocking between the studs as defined above	The Graham Wall Hung Shelf Bracket (and others like it) requires full support behind the full height of the bracket This should be accomplished by insertion of additional 2"X 6" wood blocking between the studs as defined above
Fasten the Knoll supplied wall cleat with...	#10 x 2 1/2" Grabber Woodys Screws or equiv. @ 6" c/c, screwed directly into the wood blocking	3/16" x 3 1/2" Tapcon Masonry Screws or equiv. @ 6" c/c with 1-1/4" embedment, screwed directly into the masonry wall	#10 x 2 1/2" Grabber Woodys Screws or equiv. @ 6" c/c, screwed directly into the wood blocking	#10 x 2 1/2" Grabber Woodys Screws or equiv. @ 6" c/c, screwed directly into the wood blocking	#10 x 2 1/2" Grabber Woodys Screws or equiv. @ 6" c/c, screwed directly into the wood blocking	#10 x 2 1/2" Grabber Woodys Screws or equiv. @ 6" c/c, screwed directly into the wood blocking

Simple. Open. Adaptable.

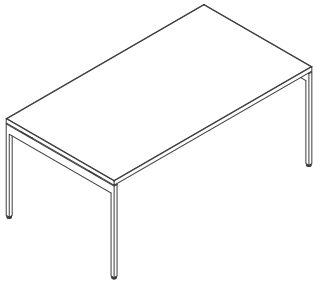
Antenna Workspaces, the integrated solution to the office, supports every mode of work—focused, shared and team—and facilitates the transitions between them. Knoll research confirms that the most progressive organizations seek innovation and increased productivity through collaboration: mentoring, teamwork and “unplanned” interaction. The challenge is to create an environment that complements individual, focused work settings with those that support collaborative work and informal, social interaction.

Antenna Workspaces comprises a range of solutions that integrate all these modes of work:

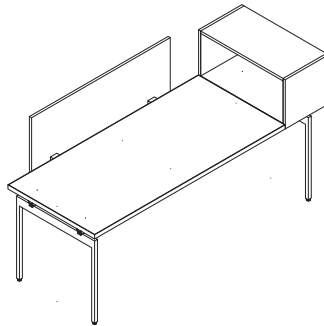
- **Focus** is an individual work mode that supports concentration with minimal interruptions.
- **Share** is a collaborative work mode that can occur in individual or group spaces and centers on the casual exchange of ideas.
- **Team** is a group work mode that occurs in a range of meeting spaces, both formal and informal.

Basic Elements

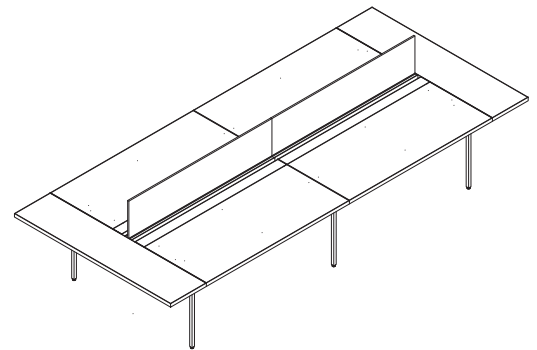
The fundamental elements of Antenna are Tables, Desks and Big Tables, fully integrated Fence spine, power components, Template Storage System, Screens and complementary Antenna storage components. To simplify planning and specifications, desks, tables, big table and fence are orderable as complete kits or as components.



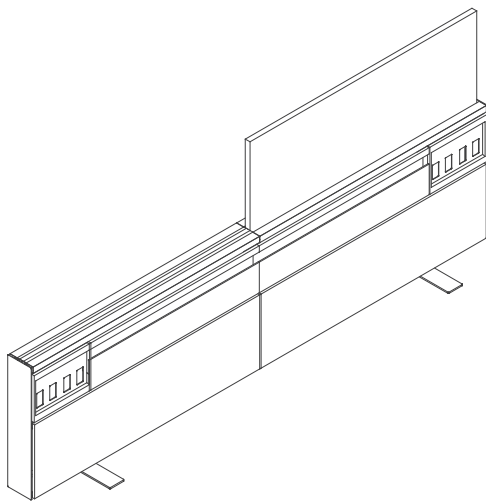
Table



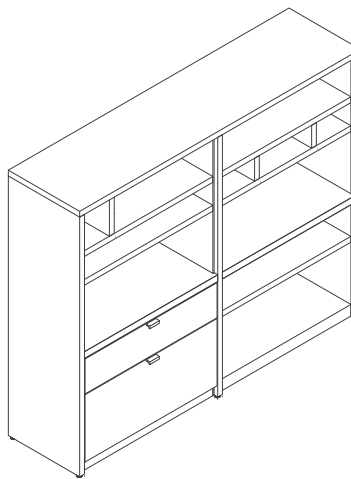
Desk



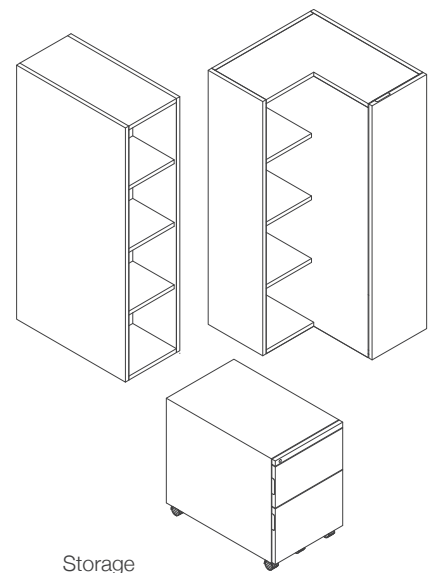
Big Table



Antenna Fence



Antenna Components for the Template Storage System



Storage

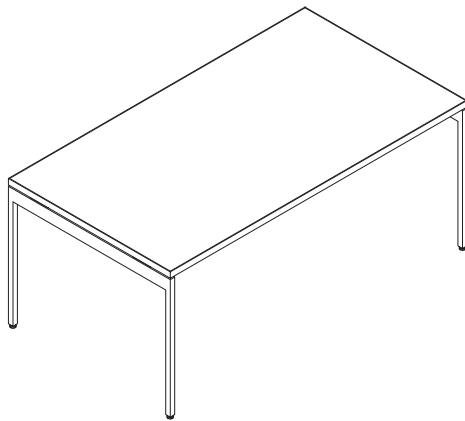
Tables

Antenna begins with a simple structure—the Table—that is inherently collaborative. The top rests on a base composed of two steel end legs and two tubular rails that span across or between them, linked by cast aluminum cradles. The result is an extraordinarily strong table that can support tops up to 4' x 8'. Antenna tops are laminate with a 2.8mm abs, or veneer edge with a comfortable radius top and bottom and crisp corners. Also available are distinctive overlay tops, featuring full overlay top veneer or solid core laminate, with a veneer edge and larger radiused corners and underside edges.

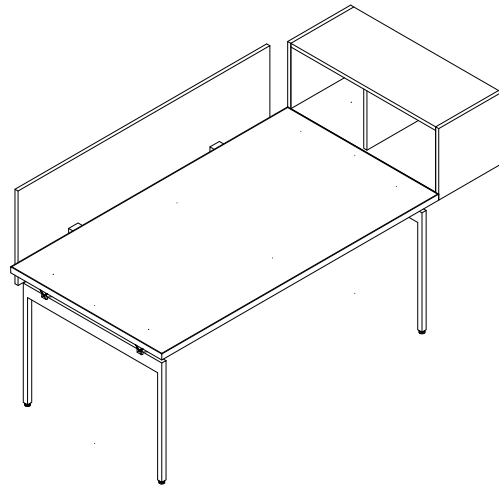
Desks

The table is transformed into a Desk with the addition of storage, screens or power components that make one side the primary user edge. Desks can be linked end-to-end sharing a leg, or back to back with dual legs, or a perpendicular return desk can be attached at any point to form L-shape or U-shape desk arrangements. Desk top dimensions are 36"-96" wide, in 6" increments, and primary depths are 24, 27, 30 and 36"D. Desk supports and a full range of tops are also available in 18", 42" and 48" depths for returns and meeting tables.

The continuous support rails enable suspended storage or can be extended beyond the primary desk top to support desk extension cabinets or contrasting extension tops. Modular power components and cable baskets can be mounted to the rail to distribute power and communications between linked desks. Screens attach directly anywhere along the back or end of a desk to provide partial modesty and enclosure above the top to either 42" or 49" horizons. A continuous 1 ¼" cord drop between the inside of a screen and the edge of the top facilitates wire management and enables clamp on monitor arms or a convenient desktop power/communications outlet module at any point.



Table



Desk with Extension Cabinet and Screen

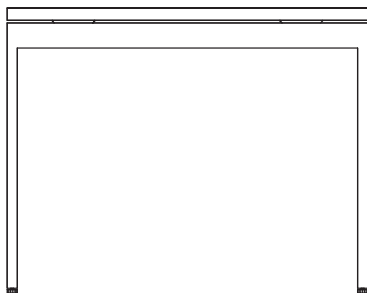
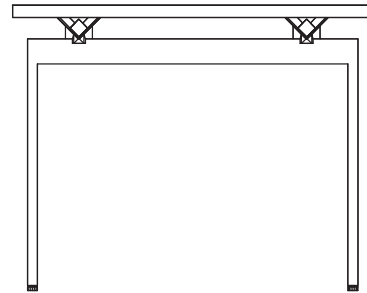


Table End Elevation



Desk End Elevation

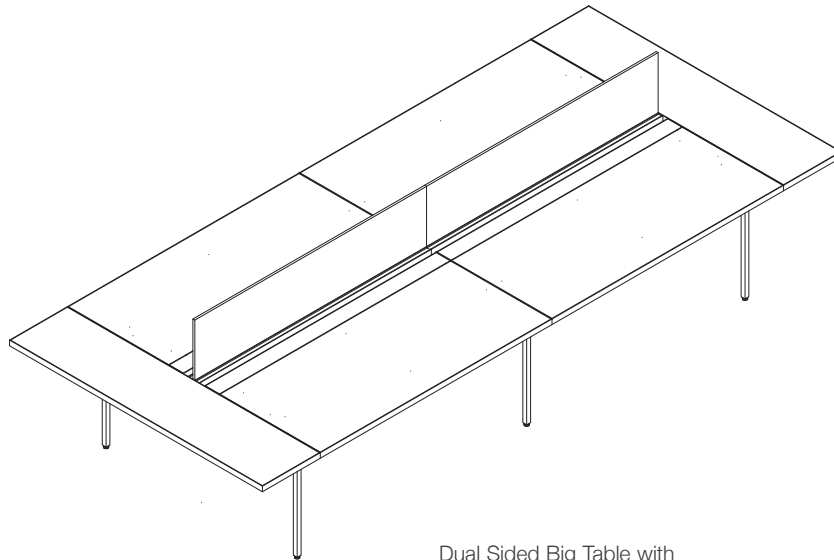
The Big Table

Back-to-back desk tops with shared legs can be linked to form the Big Table: a collaborative work setting that supports groups of any size. The centerpiece of the big table is the center beam that spans across legs with a cord drop on either side. The center beam enables upmounted screens, platforms and storage, suspended power components,

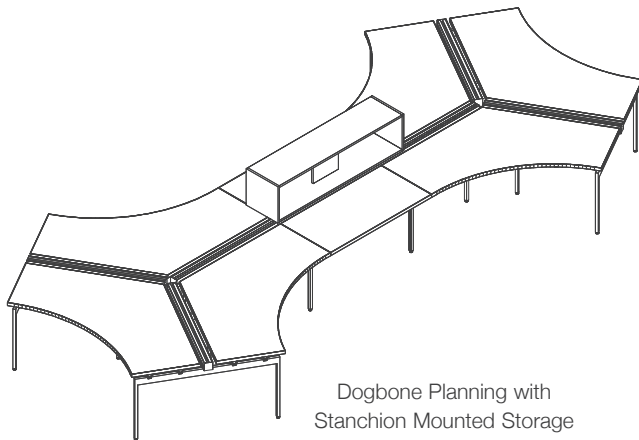
and independent support of cantilevered shelves and monitor arms on either side. Because the rail structure is the same as that of desks, returns can be attached to the big table at any point. As with desks, extended rails at the end positions of a big table support extension tops or storage cabinets above or below the big table tops.

Single sided big tables are also available for increased big table planning flexibility. Single sided big tables provide the intelligence of the center beam in a shallower depth big table

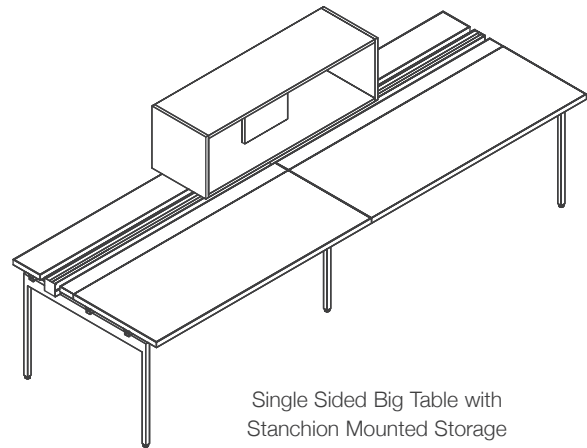
Big table tops are 18", 24", 27", 30" or 36" deep and in widths from 48"-84". Antenna and Overlay tops for the big table are available with a 3 ¾" continuous hinged surface at the back for easier access to power and communications outlets. In addition, Overlay tops can be ordered as "benching" tops with crisp corners for a continuous front edge where adjacent tops meet.



Dual Sided Big Table with
Extension Tops and Screens



Dogbone Planning with
Stanchion Mounted Storage



Single Sided Big Table with
Stanchion Mounted Storage

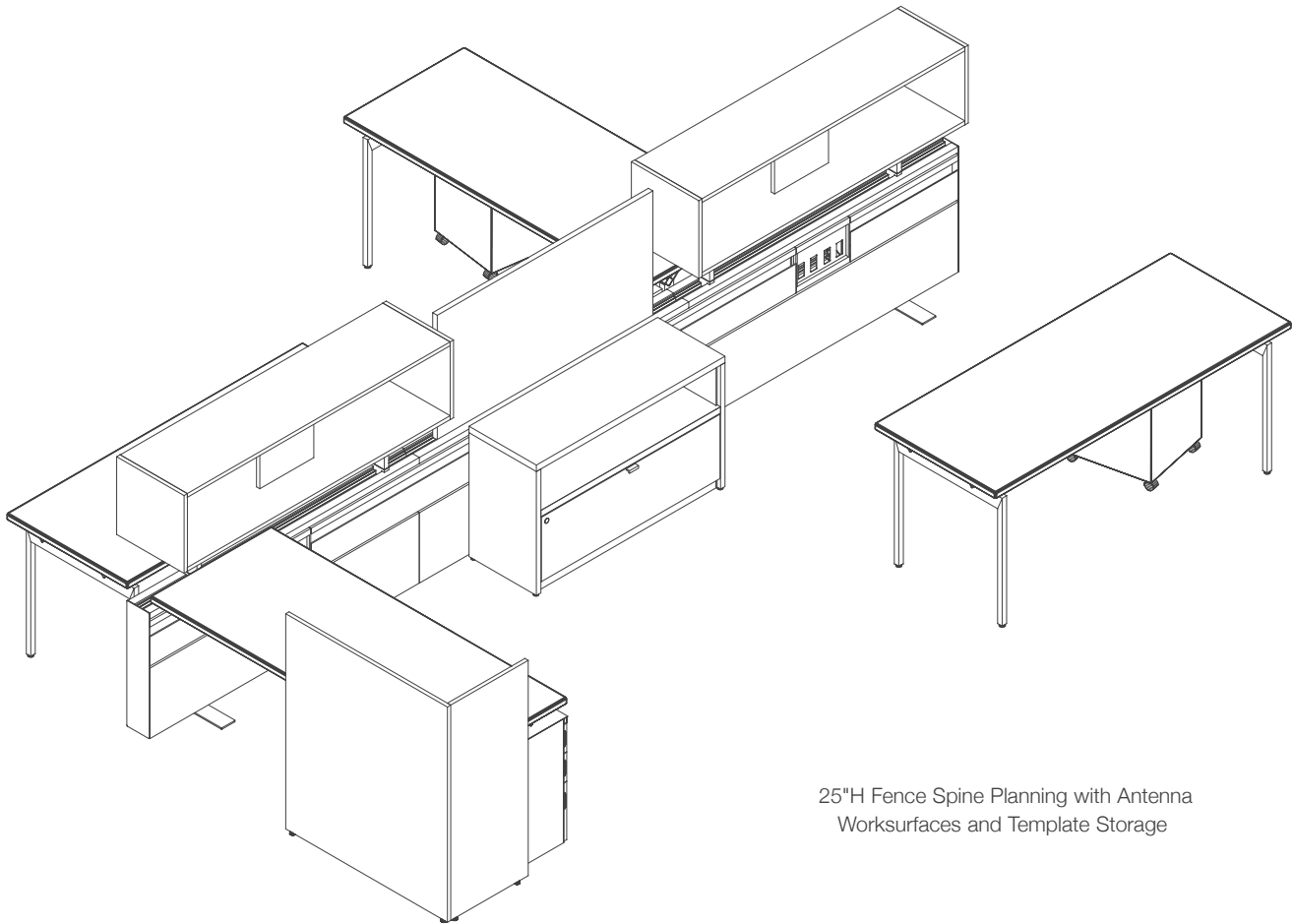
Fence

Fence is a compact spine that can be a freestanding housing for power and communications distribution and convenient outlets at the center of a cluster of desks or tables. Fence enables tables and desk arrangements to be moved independently of the service spine, or can be used to support one end of a desk.

Fence can be configured at desk top height or at 25" height to align with desk legs or enable the desk structure to span over the spine.

At either horizon, fence can also support screens or upmounted storage components including platforms, open or enclosed, single sided or shared cabinets.

Services can be supplied to the underside of fence and outlets for power and communications can be positioned at any point. The internal frame structure enables continuous lay-in cable distribution on either side, and unique cable tray covers support easy access cable management on the exterior surface. Other surface options for fence include integral slatwall and painted, laminate or wood covers.



25"H Fence Spine Planning with Antenna Worksurfaces and Template Storage

Power Distribution in Antenna Workspaces

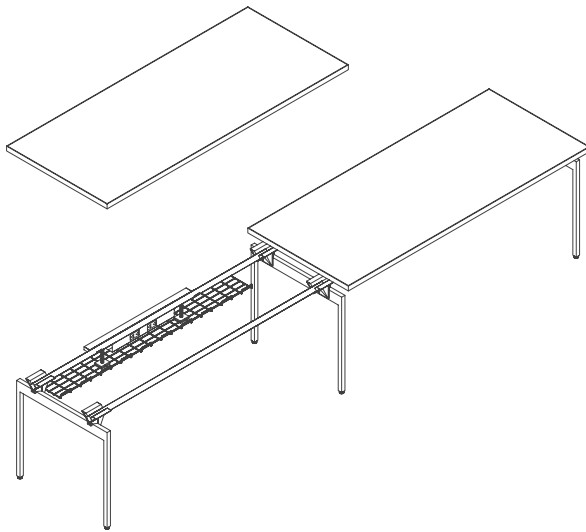
Throughout linked desks, big table or fence planning, Antenna modular power systems can be specified to distribute four or six circuits of power from a single point of supply. The system consists of a power harness that accepts preconfigured duplex outlets on any circuit as well as up to four jumper cables to link power to another harness. Modular or hardwire infeeds to satisfy national and local electrical codes also connect into the power harness.

For desks, a power harness and mounting bracket are suspended from a desk rail. Two power harness options are available, one accepting up to two snap-in duplex outlets on each face and the other up to four duplex outlets on each face. Separate covers enclose the harness. Power harness mounting bracket can also accept a data/communications box adjacent to the power harness. Jumpers connect from one harness to the next in linked configurations, and can branch to support power under returns or back-to-back desks.

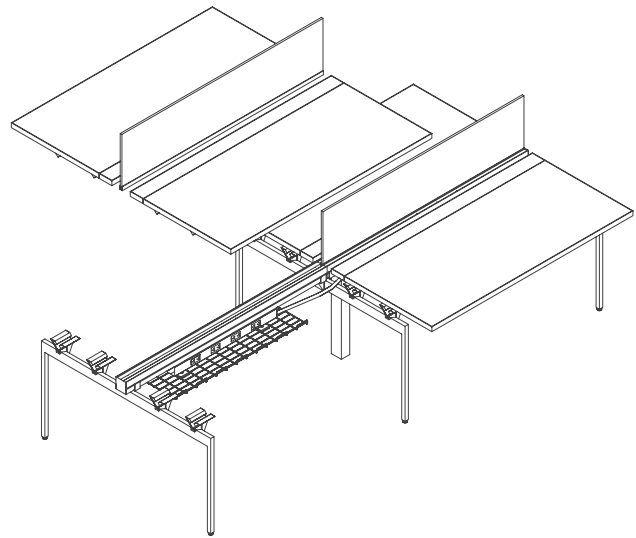
For big tables, the same power harnesses and jumpers are suspended directly from the center beam.

Power infeeds in desks and big tables can be managed vertically in a channel attached to the power harness adapter bracket or center beam.

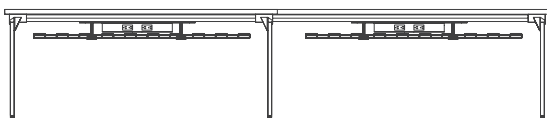
For fence an outlet module mounts to either side of the studs in the fence frame. As with desk power harnesses, the outlet module accepts two duplex outlets each side and up to four jumper cables or infeeds. One or two adjacent outlet modules are enclosed by a 12"W outlet cover in the upper 9" level of the fence. Power and communications infeeds can enter anywhere along the bottom of the fence frame, where there is a 1" space between fence covers to the floor and a 4" or 7" space from the bottom of the fence frame to the floor.



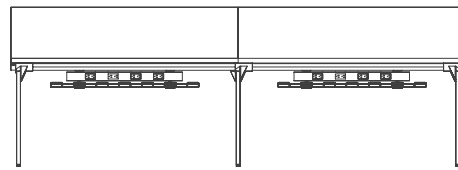
Desk with Electrical Components



Big Table with Electrical Components



Elevation of Desk Electrical Components



Elevation of Big Table Electrical Components

Screens

Antenna privacy screens are available for use on desks, big table and fence and offered in a range of materials including: fabric, laminate, marker surface, wood veneer and glass. Privacy screens provide partial enclosure in two planning horizons: 42"H for visual access and 49"H for seated privacy.

For desks, Antenna screens are always offset from the back or end of a desk top by 1 1/4", which ensures continuous cable management and that power centers, monitor arms and task lights can be secured to the top. Screens can be specified with a half

modesty, which starts at 10" above the floor (to align with the bottom of suspended cabinets) or with a partial modesty, which starts 22 1/2" above the floor. Screens align with top widths and depths.

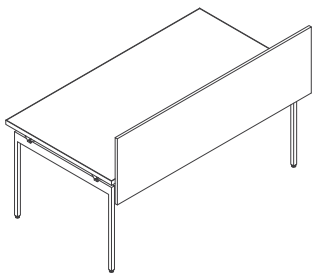
S screens attach to the back of a desktop to provide enclosure both above and below the desktop. The distinctive curved profile transitions from the 10" high vertical modesty panel to a horizontal transaction surface at the 42" horizon.

Also available for desks are floorstanding L screens at a 42" or 49" horizon, in 3/4" thick laminate or wood veneer surfaces. L screens wrap around the corner of a top and must be secured to the underside of the top.

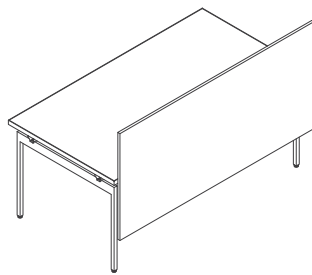
Antenna screens for the big table in 1/2" laminate, marker surface, veneer or glass include a base extrusion that fits into the top of the center beam at any point. Fabric screens are 1 1/4" thick with a painted perimeter metal frame. Screens are available in widths from 24"-72"W.

Intermediate screens are designed to plan anywhere along Antenna big tables or linked desk configurations to delineate individual workspaces. They are available with the same finish options at big table screens.

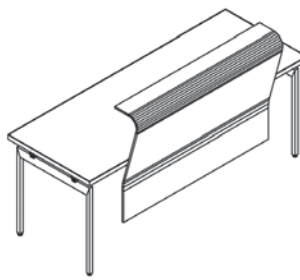
Screen options for fence are the same as those for big table, but the base extrusion is modified to fit into the center of the crown. Top caps are available to complement the fence crown or center beam adjacent to screens.



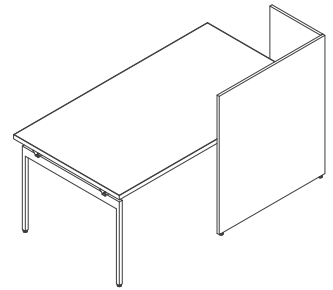
Partial Modesty Desk Screen



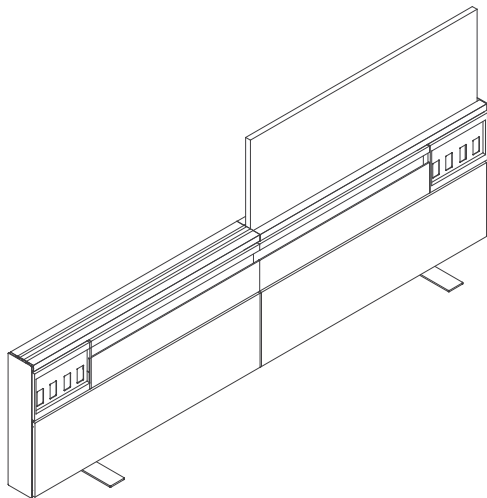
Half Modesty Desk Screen



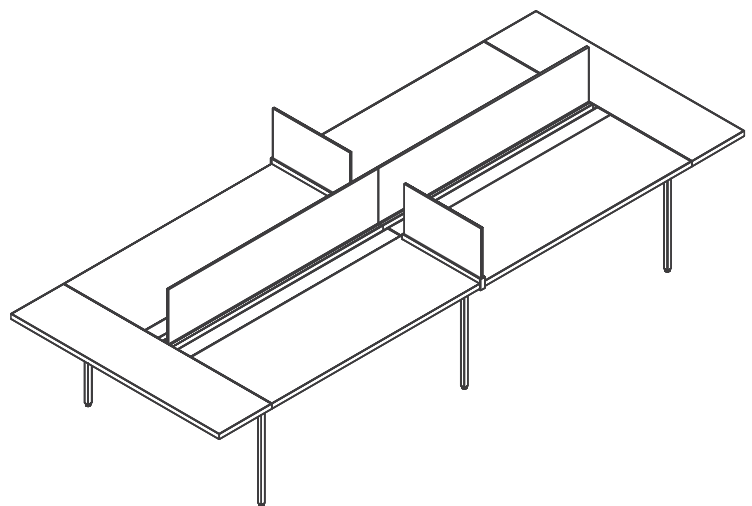
S Screen



Floorstanding L Screen, Left End of Desk



Fence Screen



Big Table Screens

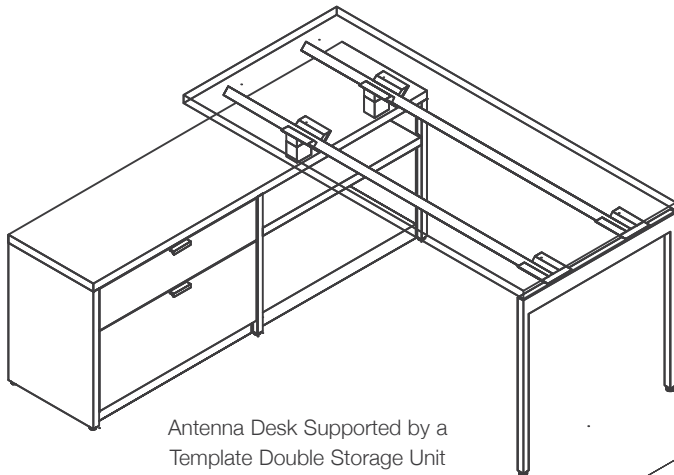
Antenna Components for Template

Antenna desks are designed to be planned next to or integrated with the Template Storage System. Template is based on the structure and dimensions of 15"D bookshelves. The simple structure includes 2"H bases and 1" wide end- and mid- panels that can support power and communications distribution, a top and full or partial structural back panels between vertical panels.

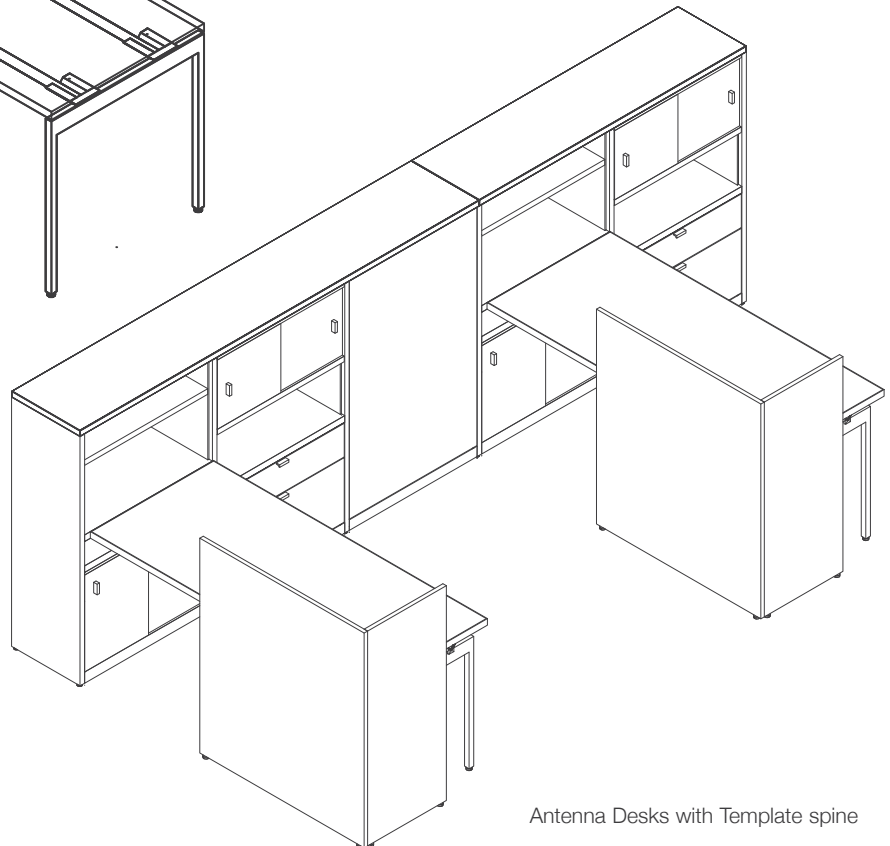
Various open and enclosed storage inserts fill the space between end and mid-panels. Since the structure is identical on "front" and "back," units can be linked, sharing a mid-panel, with components arranged to face one or both sides. Perpendicular Antenna desks can be supported from 22" or higher Template storage.

Template storage can be planned on any of ten horizons from 16" to 84", including key heights of 25", 28", 42" and 49" to match Antenna desk structure, desk tops, screen and storage. Template can be configured as a freestanding single storage unit, in widths from 24"-48", or ganged in any combination. With its compact depth Template is also ideal as a storage wall that defines the perimeter of a workspace or privacy between Antenna desks, or as the "work wall" of a private office.

Antenna tops and worksurface shelves for Template match the front edge material, profile and thickness of Antenna desk tops, but are sized in width to fit specific Template configurations. Antenna adapters are also available to link desks to worksurface shelves or tops for Template. Specify standard Template components for all other applications, including end and mid panels, bases, back panels, shelves and storage inserts.



Antenna Desk Supported by a Template Double Storage Unit



Antenna Desks with Template spine

Antenna Storage

Complementary Antenna storage components include painted steel, and laminate or wood veneer construction that are freestanding, furniture-mounted and wall-mounted.

Suspended storage options begin with the steel laptop drawer, with wire management features that enable it to serve as a secure storage for portable electronics. Other suspended storage units are laminate or wood veneer construction open shelves, in versions accessible from front/back or from the end of desk, and suspended file drawer, with internal pencil drawer. Suspended storage sizes correspond to desk depths.

Metal pedestal options are 18" or 24"D mobile data/file, 18", 24", or 30"D floorstanding two box/file, and two file units, with painted, laminate, or veneer fronts. Floorstanding 18"D two file pedestals are also available in 30" and 36" widths. Floorstanding pedestals with ballast kits can be integrated into the desk structure in place of a leg.

Above desk and below desk extension cabinets also correspond in size to desk and overall big table depths, supported by extended rails, with a "floor" or top flush with the adjacent desk top.

Stanchion mounted wood and metal construction shelves and cabinets, available with no back, full back or shared configurations, can be mounted on center beam of big table or on the fence. Stanchion mounted steel construction cabinets are available with painted steel surface doors. Stanchions for each application are designed to lift the 15"H x 15"D cabinets to an overall height of 49".

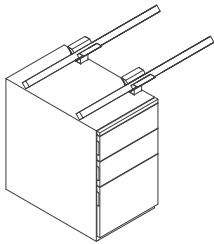
Wall mounted wood and metal open and enclosed storage units are also available, with overlapping doors in the same finish options as upmounted cabinets.

Cantilever shelves for big tables, 12" and 24"W, mount to either side of a center beam, while platforms can be supported on stanchions at 34"H.

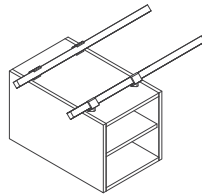
Desk-end cabinets, 49"H and 27", 30" and 36" depths, occupy a narrow footprint and provide access to shelves and coat storage from front and back in open/open, open/enclosed and enclosed/enclosed versions with hinged doors. Desk-end cabinet for 24"D applications is accessible from front only. Desk-end cabinets are floorstanding, but must be secured to desk for stability.

L cabinets are freestanding enclosures for coats and open shelves in a 24" x 24" L-shape that helps define the perimeter of an individual workspace. Single and double width wardrobes are also available for coat storage.

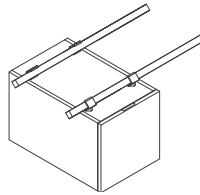
Enclosed shelf and file cabinets are freestanding 18"D open, enclosed or partially enclosed cabinets in laminate or veneer, that can be utilized as storage walls in open plan or private offices.



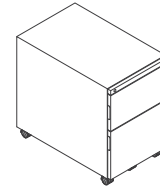
Floorstanding Pedestal



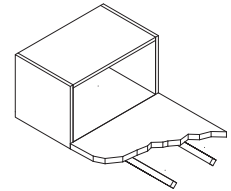
Suspended Open Cabinet



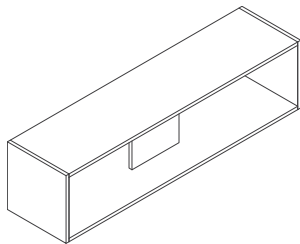
Suspended Wood File with Internal Pencil Drawer



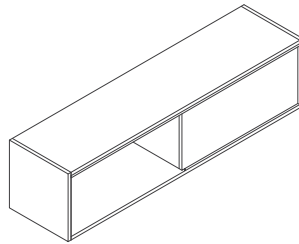
Mobile Pedestal



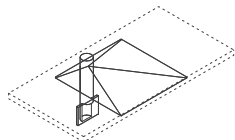
Above Desk Extension Cabinet



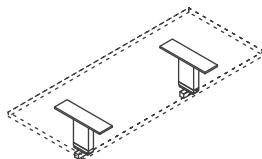
Stanchion Mounted Open Cabinet



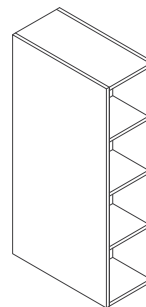
Stanchion Mounted Shared Open Cabinet



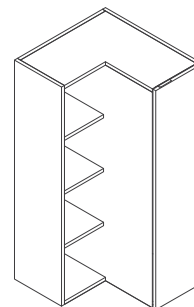
Cantilever Shelf for Big Table



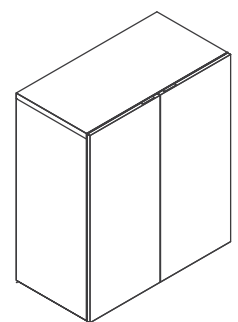
Stanchion Mounted Platform



Desk End Cabinet



Floorstanding L Cabinet



Enclosed Shelf Cabinet

The fundamental planning unit for Antenna and the starting point for any planning approach is the desk or table tops that form an individual or group workplace. What differs is how those tops are supported and complemented with services, screens and storage.

Antenna is most efficiently planned as groups of workplaces. Five unique planning models enable clustered desks, linked desks, big tables, desks with fence or the Template Storage System to serve as the shared, powered “spine” of a cluster. Each has unique advantages.

Clustered Tables or Desks are the most flexible planning approach, particularly when coupled with the fence or a raised floor system. Desks can be supplied individually from fence, raised floor, ceiling or adjacent built wall. Screens can be shared between desks, but clustered desks are independent so they can be freely rearranged as needs change.

Linked Desks are more economical than clustered desks, and involve shared legs or back-to-back legs that free up floor space. Since linked desks can distribute power throughout, services can be more cost effectively supplied from a single point to eight or more workplaces. Screens can be shared between back to back desks, but power components may need to be specified on both sides of screen for optimal access to outlets.

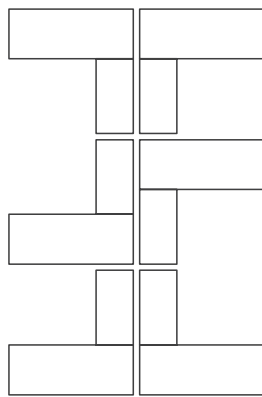
The Big Table is the most cost effective planning approach with Antenna Workspaces, combining efficient, dual sided power distribution, screens, storage support and desk support. Power and communications outlets and distribution are discreet yet easily accessible. Because desk returns can be attached anywhere, the big table is fully functional as the spine of a work group.

Antenna dual sided big tables can be planned in 120 degree configurations with 120 degree Antenna tops, intermediate legs for 120 degree, standard big table end legs, rails, center beams

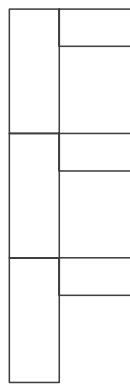
and power components. Whether it is a basic triad configuration or a larger dogbone six-pack layout, 120 degree worksurfaces provide a more space efficient way to plan a workspace.

Fence for Antenna can also serve as the structural spine of a cluster of desks, eliminating some legs. Since services can be accessed on both sides, fence power distribution can be more cost effective than with linked desks. Fence can also support storage cabinets and screens.

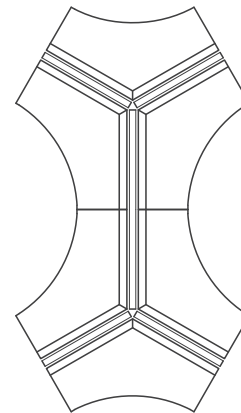
Template Storage System can also serve as the spine of a cluster of desks, eliminating some structural legs. Since power can be distributed through the base and terminated in outlets at desk height, power distribution can be more cost effective than with linked desks. Storage options within Template can be configured for access on both sides. Unique 27”D Antenna desks enable a wire drop and desk mounted screens to plan “within” Template’s centerline planning module.



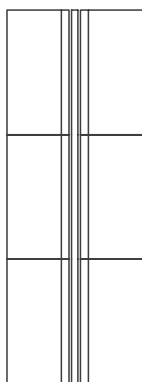
Clustered Desks



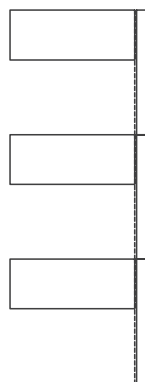
Linked Desks



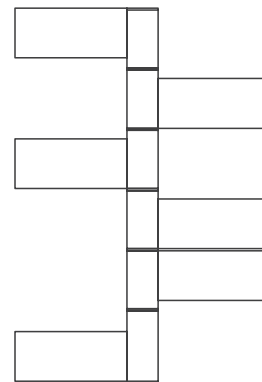
120 Degree Big Table



Big Table



Fence with Antenna Desks



Antenna Desks with Template Spine

Preconfigured Tables

Antenna Tables are available as complete kits including top, rails and legs. Preconfigured tables include round, square, rectangular and track shapes, in standard Antenna laminate, veneer, or glass top details, with painted or chrome finish legs. End legs for round, square and rectangle shapes are table desk end legs that capture the ends of the rails and enable knee space on all sides of desk height tables. Track shape tables are supported by standard Antenna end legs over which the rails extend to the ends of the top for maximum support.

Round tables in 42" diameter have a 27" square base, and tables in 48" diameter include a 30" square base. Round tables in 42" diameter are available in three heights: 18 1/2", 24 1/2", 28 1/2". The lowest height is coffee table height, suitable for reception or casual areas, the medium height is designed for use of portable electronics in casual work areas, and the highest is standard desk height. Round tables in 48" diameter are only available at desk height.

Square tables have table desk end legs at the corners. Square 30" tables are also available in three heights: 18 1/2", 24 1/2", 28 1/2". Square 36", 42" and 48" tables are only desk height.

Rectangular tables have table desk end legs flush with the short ends. Rectangular tables are available in classic 2 x 1 proportions, 48x24, 54x27, 60x30, 72x36, 84x42, all at standard desk height 28 1/2".

Rectangular shape tables other than these sizes can be assembled from components (tops, rails and legs specified separately).

Track shape tables have standard Antenna end legs inset 4 1/2" from each long side edge adjacent to the semi-circular ends of the top. Track shape tables are 72x36, 84x42 or 96x48, all at standard desk height 28 1/2".

All table legs include standard Antenna levelers with 1 1/2" continuous adjustment range.

Construction

Antenna tops are nominal 1 3/16" thick with a laminate or veneer surface finish. Laminate tops have a laminate top surface with an FSC-certified particle board core and a neutral tone backer sheet for balanced construction. Edges can match the top or contrast in color, in 2.8mm ABS with 2.4mm radius top and bottom edges. Front and back edges overlap ends with a 2.4 mm radius on outside corners.

Techwood and natural veneer tops have a veneer top surface, an FSC-certified particle board core and a neutral tone backer sheet for balanced construction. Veneer tops have matching finish 2.4mm solid veneer edges

on all sides. Top and bottom edges have a 2.4mm radius. Veneer grain direction is parallel to front edge on desk tops, and parallel to end on extension tops.

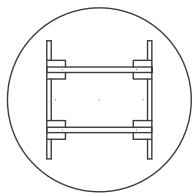
Glass tops are 1/2" thick with a slight radius on the top and bottom edges as well as the corners.

Rails are 1 1/4" square steel tube. End caps are die cast aluminum. Return adapters are die cast aluminum.

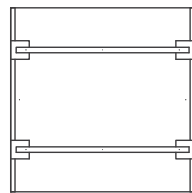
End legs are steel weldments with 1" square legs and a 2 1/2" horizontal rail. Legs include 2 1/2" levelers with 3/8" stems and continuous 1 1/2" adjustment range. Cradles and clamps are cast aluminum with countersunk fasteners into legs, mating parts and top.

Specification Options

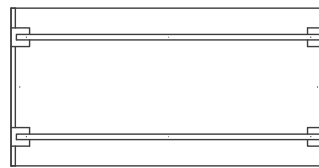
Table tops may be specified in any Antenna solid, pattern or woodgrain laminate, with matching or contrasting ABS edge in any Antenna Techwood or natural veneer with matching edge, or with a glass finish. Glass finish options include Clear, Powder, Starfire Clear, Grey Tinted, Back Painted Black, and Back Painted White. Rails may be specified in any Antenna core or accent painted finish. Legs may be specified in any Antenna core or accent painted finish, with matching cradle finish, or in chrome with any Antenna paint finish for the cradles.



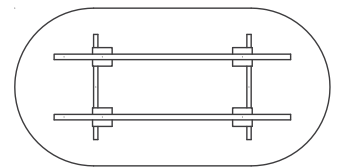
Round Table Plan View



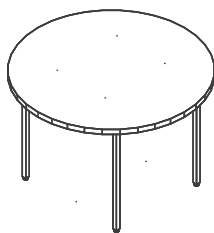
Square Table Plan View



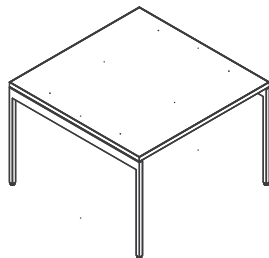
Rectangular Table Plan View



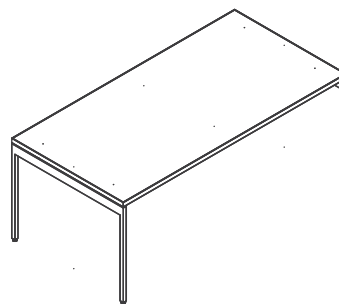
Track Shaped Table Plan View



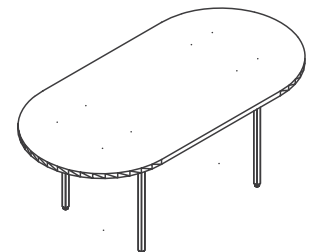
Round Table,
18", 24 1/2" or
28 1/2" High



Square Table,
18", 24 1/2" or
28 1/2" High



Rectangular Table,
28 1/2" High







Track Shaped Table,
28 1/2" High

Antenna Leg Base Tables

Antenna Tops

Track, Round, Square and Rectangle

description	w	d	h	pattern no.	Laminate (L)	V1 (V)	V2 (V)	V3 (V)	Chrome Base Upcharge
Tables with Track Shaped Antenna Tops	72"	36"	28 1/2"	YKTT7236D()	\$1,455.	\$2,482.	\$2,733.	\$3,313.	n/a
	84"	42"	28 1/2"	YKTT8442D()	1,567.	2,844.	3,146.	3,842.	n/a
	96"	48"	28 1/2"	YKTT9648D()	1,736.	3,233.	3,585.	4,397.	n/a
Tables with Round Shaped Antenna Tops	42"	42"	18 1/2"	YKTR42L()	1,176.	2,261.	2,489.	3,009.	456.
	42"	42"	24 1/2"	YKTR42M()	1,176.	2,261.	2,489.	3,009.	456.
	42"	42"	28 1/2"	YKTR42D()	1,176.	2,261.	2,489.	3,009.	456.
	48"	48"	28 1/2"	YKTR48D()	1,288.	2,385.	2,628.	3,188.	465.
Tables with Square Shaped Antenna Tops	30"	30"	18 1/2"	YKTS3030L()	1,013.	1,273.	1,349.	1,557.	465.
	30"	30"	24 1/2"	YKTS3030M()	1,013.	1,273.	1,349.	1,557.	465.
	30"	30"	28 1/2"	YKTS3030D()	1,013.	1,273.	1,349.	1,557.	465.
	36"	36"	28 1/2"	YKTS3636D()	1,104.	1,369.	1,455.	1,687.	553.
	42"	42"	28 1/2"	YKTS4242D()	1,211.	1,581.	1,703.	2,002.	604.
	48"	48"	28 1/2"	YKTS4848D()	1,317.	1,799.	1,939.	2,310.	668.
Tables with Rectangle Shaped Antenna Tops	48"	24"	28 1/2"	YKTS4824D()	1,071.	1,328.	1,409.	1,626.	361.
	54"	27"	28 1/2"	YKTS5427D()	1,180.	1,448.	1,538.	1,782.	456.
	60"	30"	28 1/2"	YKTS6030D()	1,307.	1,531.	1,622.	1,910.	465.
	72"	36"	28 1/2"	YKTS7236D()	1,414.	1,685.	1,816.	2,129.	553.
	84"	42"	28 1/2"	YKTS8442D()	1,687.	1,887.	2,016.	2,365.	604.

Ordering Information

- Tables**
1. Pattern Number
 2. Top Finish
 3. Edge Finish (for laminate tops only)
 4. Rail Paint Finish
 5. Cradle Paint Finish (for chrome legs only)
 6. Leg Paint Finish

Order Code

Tables

Example: **YKTS3030DL, 118T, 118T, 118T, 118T**

YK	Table Kit
TS	Antenna Square Top
30	Depth
30	Width
D	Desk Height
L	Laminate
118T	Bright White Top
118T	Bright White Edge
118T	Bright White Paint
118T	Bright White Paint
118T	Bright White Paint

Included With

- Tables**
- Antenna Top
 - (2) Rails
 - (2) End Legs
 - (4) Cradles
 - (4) Leveling Glides
 - Attachment Hardware

Options

- Table**
- Top Finish Options:**
(L) = Laminate
(V) = Veneer
- Leg Finish Options:**
- End Legs are available in Knoll core paints, Dark Red (130) and Slate blue (131) paint finishes, as well as polished chrome (PD) finish.
- Add the chrome base upcharge to the table list price when the table base is specified with a chrome finish.
- Chrome base is not available on track shaped tables.

Antenna Leg Base Tables

Glass Tops

Track, Round, Square and Rectangle

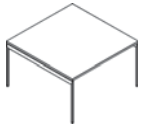
description	w	d	h	pattern no.	Clear Glass (TEMP)	Powder Glass (GL13)	Starfire Clear Glass (GL85)	Grey Glass (GL35)	Back Painted Black Glass (GL11)	Back Painted White Glass (GL45)	Chrome Base Upchg.
Tables with Track Shaped Glass Tops	72"	36"	28 1/2"	YKTT7236DG	\$3,825.	\$4,803.	\$5,238.	\$6,200.	\$7,238.	\$7,238.	n/a
	84"	42"	28 1/2"	YKTT8442DG	4,238.	5,564.	6,162.	7,249.	8,890.	8,890.	n/a
	96"	48"	28 1/2"	YKTT9648DG	4,706.	6,434.	7,227.	8,466.	10,770.	10,770.	n/a



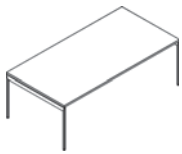
Tables with Round Shaped Glass Tops	42"	42"	18 1/2"	YKTR42LG	2,685.	3,347.	3,646.	4,347.	5,271.	5,271.	456.
	42"	42"	24 1/2"	YKTR42MG	2,685.	3,347.	3,646.	4,347.	5,271.	5,271.	456.
	42"	42"	28 1/2"	YKTR42DG	2,685.	3,347.	3,646.	4,347.	5,271.	5,271.	456.
	48"	48"	28 1/2"	YKTR48DG	2,967.	3,831.	4,217.	4,989.	5,999.	5,999.	465.



Tables with Square Shaped Glass Tops	30"	30"	18 1/2"	YKTS3030LG	2,033.	2,369.	2,521.	3,478.	3,217.	3,217.	465.
	30"	30"	24 1/2"	YKTS3030MG	2,033.	2,369.	2,521.	3,478.	3,217.	3,217.	465.
	30"	30"	28 1/2"	YKTS3030DG	2,033.	2,369.	2,521.	3,478.	3,217.	3,217.	465.
	36"	36"	28 1/2"	YKTS3636DG	2,217.	2,707.	2,924.	3,912.	3,924.	3,924.	553.
	42"	42"	28 1/2"	YKTS4242DG	2,489.	3,152.	3,451.	4,511.	4,815.	4,815.	604.
	48"	48"	28 1/2"	YKTS4848DG	2,712.	3,576.	3,967.	5,097.	5,749.	5,749.	668.



Tables with Rectangle Shaped Glass Tops	48"	24"	28 1/2"	YKTS4824DG	1,896.	2,331.	2,526.	2,799.	3,412.	3,412.	361.
	54"	27"	28 1/2"	YKTS5427DG	2,190.	2,739.	2,989.	3,337.	4,108.	4,108.	456.
	60"	30"	28 1/2"	YKTS6030DG	2,772.	3,446.	3,750.	4,206.	5,141.	5,141.	465.
	72"	36"	28 1/2"	YKTS7236DG	3,113.	4,086.	4,532.	5,129.	6,521.	6,521.	553.
	84"	42"	28 1/2"	YKTS8442DG	3,852.	5,369.	6,054.	6,380.	9,150.	9,150.	604.



Ordering Information

Tables

1. Pattern Number
2. Top Finish
3. Rail Paint Finish
4. Cradle Paint Finish (for chrome legs only)
5. Leg Paint Finish

Order Code

Tables

Example: **YKTS4824DG, TEMP, 118T, 118T, 118T**

YK	Table Kit
TS	Antenna Square Top
48	Depth
24	Width
D	Desk Height
G	Glass
TEMP	Clear Glass
118T	Bright White Rails
118T	Bright White Cradles
118T	Bright White Legs

Included With

Tables

- Glass Top
- (2) Rails
- (2) End Legs
- (4) Cradles
- (4) Leveling Glides
- Attachment Hardware

Options

Table

Glass Top Finish Options:

Add finish option as suffix to pattern number:

- (TEMP) = Clear Glass
- (GL13) = Powder Glass
- (GL85) = Starfire Clear Glass
- (GL35) = Grey Tinted Glass
- (GL11) = Back Painted Black Glass
- (GL45) = Back Painted White Glass

Leg Finish Options:

End Legs are available in Knoll core paints, Dark Red (130) and Slate blue (131) paint finishes, as well as polished chrome (PD) finish.



Add the chrome base upcharge to the table list price when the table base is specified with a chrome finish.

Chrome base is not available on track shaped tables.

Antenna Leg Base Tables

Overlay Tops

Square and Rectangle

description	width	depth	height	pattern number	Color Core Laminate (C)	V1 (V)	V2 (V)	V3 (V)	Chrome Base Upcharge
 Tables with Square Shaped Overlay Tops	30"	30"	18 1/2"	YKPTS3030L()	\$2,405.	\$1,862.	\$2,025.	\$2,405.	\$465.
	30"	30"	24 1/2"	YKPTS3030M()	2,405.	1,862.	2,025.	2,405.	465.
	30"	30"	28 1/2"	YKPTS3030D()	2,405.	1,862.	2,025.	2,405.	465.
	36"	36"	28 1/2"	YKPTS3636D()	2,560.	1,976.	2,153.	2,560.	553.
	42"	42"	28 1/2"	YKPTS4242D()	2,728.	2,106.	2,296.	2,728.	604.
	48"	48"	28 1/2"	YKPTS4848D()	2,871.	2,210.	2,411.	2,871.	668.
 Tables with Rectangle Shaped Overlay Tops	48"	24"	28 1/2"	YKPTS4824D()	2,472.	1,913.	2,082.	2,473.	361.
	54"	27"	28 1/2"	YKPTS5427D()	2,659.	2,054.	2,238.	2,659.	456.
	60"	30"	28 1/2"	YKPTS6030D()	2,784.	2,142.	2,338.	2,784.	465.
	72"	36"	28 1/2"	YKPTS7236D()	2,992.	2,291.	2,605.	2,992.	553.
	84"	42"	28 1/2"	YKPTS8442D()	3,301.	2,546.	2,775.	3,301.	604.

Ordering Information

Tables

1. Pattern Number
2. Top Finish
3. Edge Finish
(for laminate tops only)
4. Rail Paint Finish
5. Cradle Paint Finish
(for chrome legs only)
6. Leg Paint Finish

Order Code

Tables

Example: **YKPTS3030DL, 311, V440, 118T, 118T, 118T**

YK	Table Kit
PTS	Overlay Square Top
30	Depth
30	Width
D	Desk Height
C	Color Core Laminate
311	Solid Gallery White Top
V440	Natural Hemlock Edge
118T	Bright White Paint
118T	Bright White Paint

Included With

Tables

- Antenna Top
- (2) Rails
- (2) End Legs
- (4) Cradles
- (4) Leveling Glides
- Attachment Hardware

Options

Table

Top Finish Options:
(C) = Color Core Laminate
(V) = Veneer

Leg Finish Options:

Table Desk End Legs are available in Knoll core paints, Dark Red (130) and Slate blue (131) paint finishes, as well as polished chrome (PD) finish.

Add the chrome base upcharge to the table list price when the table base is specified with a chrome finish.

Antenna Y-base Tables

Antenna Y-base tables offer unobstructed kneespace and advanced cable management in compact shapes designed for small workstations and meeting spaces. Y-base tables combine standard detail laminate or veneer Antenna tops with a grommet centered over posts with an integral wire management channel and a low profile, three-spoke "Y" base or "bowtie" shape base.

Round tables 36" in diameter are available in three heights of Y-shape bases: 24½" medium height, 28½" desk height and 36½" standing height. The lowest of these is suitable for use of portable electronics in casual work areas. Round tables 42" in diameter are available in 24½" medium height and 28½" desk height only. Base spokes extend to align with the perimeter of the top.

Track shape tables 72" x 36" and 84" x 42" are available in two heights of bowtie-shape bases with two columns: 28½" desk height and 36½" standing height.

Rectangular top tables 72" x 36" and 84" x 42" are available in two heights of the same bowtie-shape bases as track-shape tables: 28½" desk height and 36½" standing height.

Construction

Antenna tops are nominal 1³/₁₆" thick with a laminate or veneer surface finish. Laminate tops have a laminate top surface with an FSC-certified particle board core and a neutral tone backer sheet for a balanced construction. Edges can match the top or contrast in color, in 2.8mm ABS with 2.4mm radius tops and bottom edges. Long edges of rectangular tops overlap side edges with a 2.4mm radius on outside corners.

Techwood and natural veneer tops have a veneer top surface, an FSC-certified particle board core and a neutral tone backer sheet for balanced constructions. Veneer tops have matching finish 2.4mm solid veneer or ABS edges on all sides. Top and bottom edges have a 2.4mm radius. Veneer grain direction is parallel to long sides of track shape and rectangular tops.

Round tables in 36" diameter include a formed steel, three-prong top plate, 2½" diameter aluminum center post with vertical wire manager and removable aluminum access cover, solid hub weldment, and three 1¼" square steel tube base spokes with end caps. Track shape and rectangular tables 36" x 72" include two 2½" center posts, joined with hub weldments to two spokes and a 1¼" square steel tube stretcher between posts. Each spoke includes a 1½" leveler with ⅜" stems and continuous ¾" adjustment range.

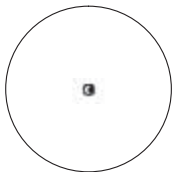
Round tables in 42" diameter include a steel, three-prong top plate, 3" diameter aluminum center post with vertical wire manager and removable aluminum access cover, solid hub weldment, and three 1½" square steel tube base spokes with end caps. Track shape and rectangular tables 42" x 84" include two 3" diameter center posts, joined with hub weldments to two spokes and a 2½" square steel tube stretcher between posts. Each spoke includes a 1½" leveler with ⅜" stems and continuous ¾" adjustment range.

Specification Options

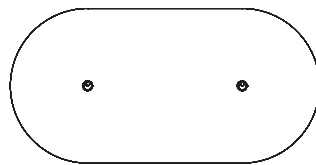
Table tops may be specified in any Antenna solid, pattern or woodgrain laminate, with matching or contrasting ABS edge, or in any Antenna Techwood or natural veneer with matching solid veneer or ABS edge. Round tops may be specified with or without 2" dia. center grommet, in painted aluminum liner and flush round cap with mousehole. Track and rectangular shapes may be specified with or without two grommets centered over posts.

Top plate is painted black. Base column, spokes and stretchers may be specified in any standard Antenna painted finish.

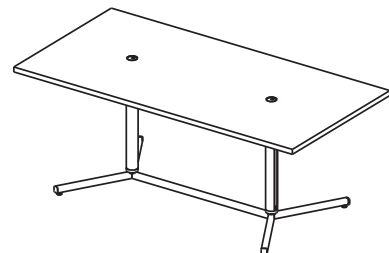
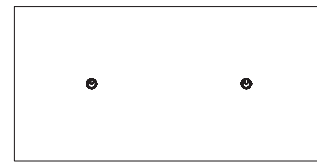
Grommet may be specified in any standard Antenna painted finish.



Round Table, 36" or 42"
Top in Medium, Desk
Height or Standing Height



Track Shape Table,
36" x 72" or 42" x 84" Top in
Desk or Standing Height



Rectangular Top Table,
72" x 36" or 84" x 42" Top in
Desk or Standing Height

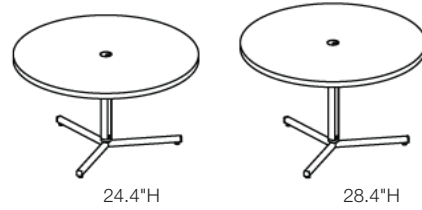
Y-base tables

Planning Guidelines and Specifications

36" Round in Medium, Desk Height and Standing Height



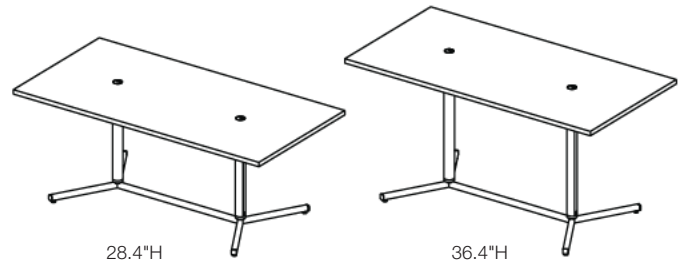
42" Round in Medium and Desk Heights



36" x 72" and 42" x 84" Track Shapes in Desk and Standing Heights



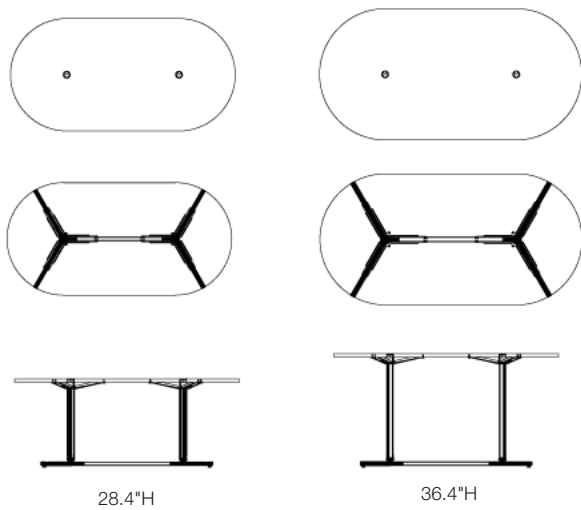
72" x 36" and 84" x 42" Rectangles in Desk and Standing Heights



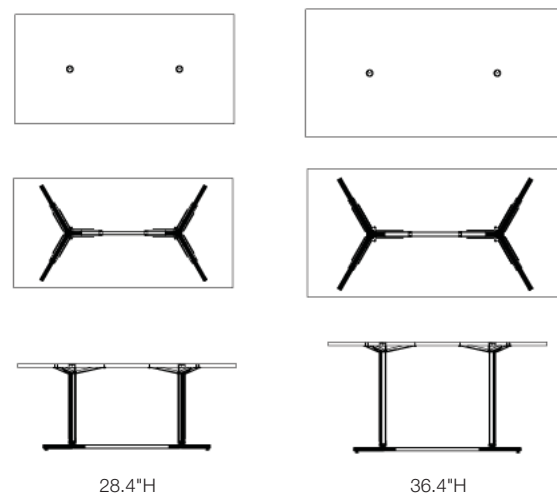
Elevation View of 36" Diameter Table at Medium, Desk and Standing Height



Track Shape Tables, 36" x 72", 42" x 84" in Desk Height and Standing Height






Rectangular Tables, 72 x 36", 84 x 42", in Desk Height and Standing Height



Y-base tables

Antenna tops

Round, track and rectangle

description	type	w	d	h	pattern no.	Laminate (L)	V1 (V)	V2 (V)	V3 (V)	
Tables with Round Shape Antenna Tops 	medium height	36" dia.		24 1/2"	YKTR36YMG	\$1,268.	\$2,717.	\$2,769.	\$3,079.	
		42" dia.		24 1/2"	YKTR42YMG	1,578.	3,027.	3,105.	3,441.	
	desk height	36" dia.		28 1/2"	YKTR36YDG	1,320.	2,769.	2,820.	3,131.	
		42" dia.		28 1/2"	YKTR42YDG	1,630.	3,079.	3,157.	3,493.	
	standing height	36" dia.		36 1/2"	YKTR36YHG	1,397.	2,846.	2,898.	3,208.	
	Tables with Track Shape Antenna Tops 	desk height	72"	36"	28 1/2"	YKTT7236YDG	2,639.	3,907.	3,985.	4,476.
84"			42"	28 1/2"	YKTT8442YDG	3,312.	4,502.	4,606.	5,227.	
standing height		72"	36"	36 1/2"	YKTT7236YHG	2,795.	4,062.	4,140.	4,632.	
		84"	42"	36 1/2"	YKTT8442YHG	3,467.	4,658.	4,761.	5,382.	
Tables with Rectangle Shape Antenna Tops 		desk height	72"	36"	28 1/2"	YKTS7236YDG	2,536.	2,743.	2,846.	3,312.
			84"	42"	28 1/2"	YKTS8442YDG	3,079.	3,312.	3,467.	4,088.
	standing height	72"	36"	36 1/2"	YKTS7236YHG	2,691.	2,898.	3,105.	3,571.	
		84"	42"	36 1/2"	YKTS8442YHG	3,234.	3,467.	3,622.	4,244.	

Ordering Information

Tables

1. Pattern Number
2. Grommet / no grommet
3. Top surface type
4. Top finish
5. Edge Finish (for laminate tops only)
6. Base finish (paint)
7. Grommet finish (paint)

Order Code

Tables

Example: **YKTR36YMG**L, **118T**, **118T**, **118T**, **118T**

YK	Antenna Assembly
T	Antenna Square Top
R	Shape
36	Size
Y	Base Type
L	Laminate
118T	Bright White Top
118T	Bright White Edge
118T	Bright White Base
118T	Bright White Grommet

Included With

Tables

Antenna Top
 Top plate(s)
 Center post
 Base spokes
 Levelers
 Attachment Hardware

Options

Table

(G) Grommet(s)
 (N) No grommet
 For no grommets, deduct \$25 for round. Deduct \$50 for track shape and rectangle tops

Top Finish Options:

(L) = Laminate
 (V) = Veneer

Top may be specified in any Knoll core laminate or veneer.

Leg Finish Options:

End Legs are available in Knoll core paints, Dark Red (130) and Slate blue (131) paint finishes.

Media Enclave

Planning Guidelines and Specifications

Media Enclave is a complete Antenna Workspaces activity space for small group meetings of three or four participants. Media Enclaves are ready to accept center beam mounted Sapper post with TV, and can discreetly manage collaborative technology to link meeting participants. Media Enclave facilitates change in technology or even reconfiguration into other sizes of work space.

Media Enclave is preconfigured from standard Antenna big table components for ease of ordering and planning. Media Enclave kits include table, table with end panel, and power for either table, each orderable with a single pattern number.

Media Enclave table includes two 60" x 24" tops with full width hinged access, an 18" x 53 1/2" extension top, two end legs, rails, center beam, beam top and end caps and beam mounted cable holders, 39" x 12" cable basket and all hardware for assembly. Media Enclave table plans as overall 78"W x 53 1/2"D x 28 1/2"H.

Media Enclave with End Panel includes 56"H x 53 1/2"W x 1 1/4" thick end panel in laminate surface, in addition to tops, end legs, rails, center beam, top cap, end cap and cable holders, cable basket and attachment hardware.

Media Enclave power kit mounts directly under center beam and includes power harness and covers, four duplex outlets on one circuit, and power infeed cable with pigtail to be field hardwired to a code approved junction box (not included).

Construction

Tops and full width hinged surfaces are 1 3/16" thick with a laminate top surface, FSC-certified particle board core and a neutral tone backer sheet for balanced construction. Edgeband in 2.8mm ABS matches the top in color, with 2.4mm radii on top and bottom edges.

Rails are powder-coat painted 1 1/4" square steel tube with die cast aluminum end caps. Center beam is powder coat painted aluminum extrusion with continuous slots on front, back and underside for attachments and a center slot for attaching Sapper monitor masts, platform and other accessories. Beam end caps are painted steel.

End legs are steel weldments with 1" square legs and a 2 1/2" horizontal rail. Legs include 2 1/2" levelers with 3/8" stems and continuous 1 1/2" adjustment range. Legs include cradles and rail clamps in cast aluminum with countersunk fasteners into legs, mating parts and tops.

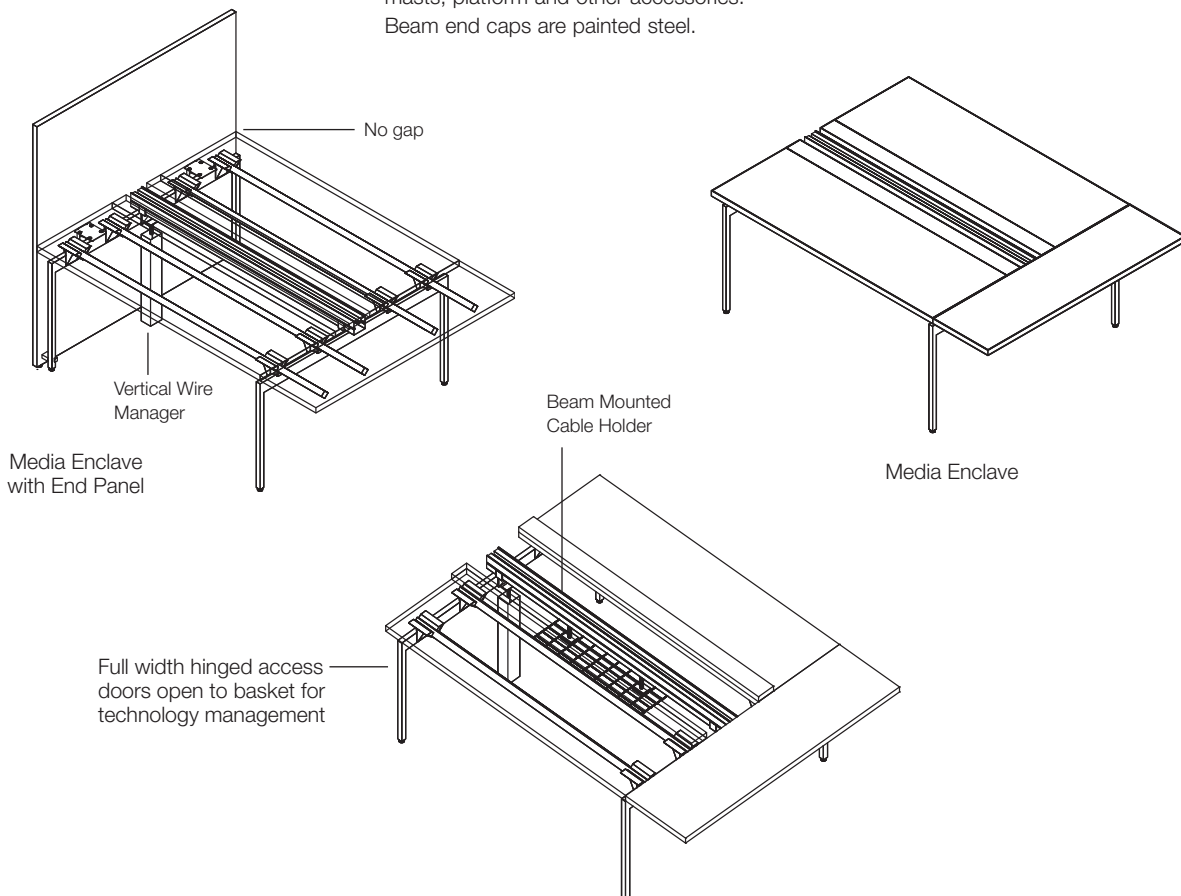
End panels are 1 3/16" thick with two laminate surfaces on FSC-certified particle board core. Edgeband in 2.8mm ABS matches the faces in color, with 2.4mm radii on top and vertical edges.

Specification Options

Table tops may be specified in any Antenna solid laminate, with matching ABS edges. End panel can be specified in the same laminate as tops or in a contrasting laminate.


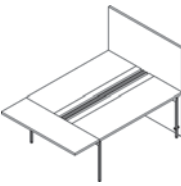
Legs and rails may be specified in any Antenna core paint finish. Center beam and end caps can be specified in the same or contrasting Antenna core paint finish.

Specify power components kit separately.



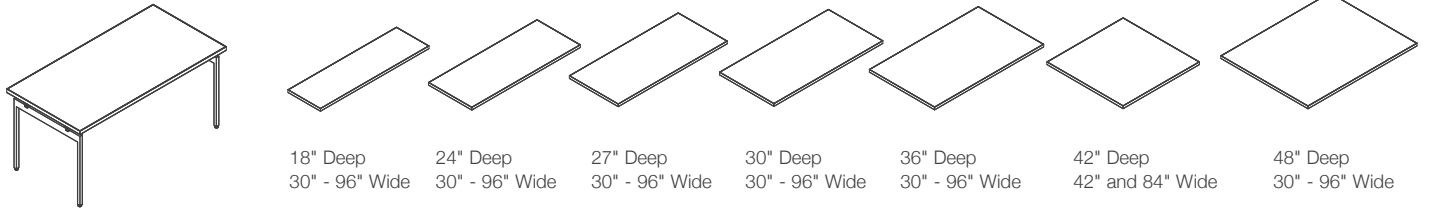
Media Enclave

Antenna tops laminate only

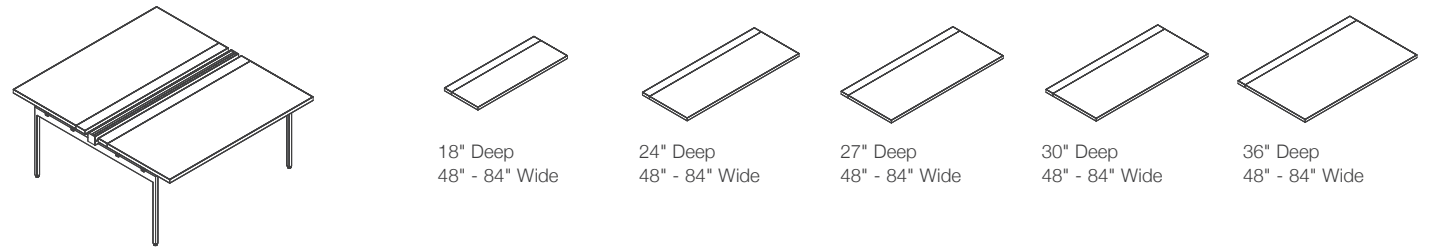
description	w	d	h	pattern no.	L	LM
Media enclave 	78"	53 1/2"	28 1/2"	YKME7854NE	\$4,116.	
Media enclave with end panel 	78"	53 1/2"	56"	YKME7854HE	4,960.	5,180.
Power kit for media enclave				YKME4DA	624.	

Ordering Information	Order Code	Included With	Options
Media Enclave	Media Enclave	Media Enclave	Media Enclave
1. Pattern Number	<i>Example:</i> YKME7854NEL	Antenna Top	HE high end panel
2. Top finish	118,118,118,118	Center beam	NE no end panel
3. Edge Finish (matches top finish)	YK Antenna Assembly	End Legs	Top Finish Options:
4. Center beam finish	ME Media Enclave	Rails	(L) = Laminate
5. Base finish	78 Width	Connecting Hardware	
Media Enclave with End Panel	54 Depth	End panel (if applicable)	Top may be specified in any Knoll core laminate with matching edge.
1. Pattern Number	NE No end panel		Leg Finish Options:
2. Top finish	L Laminate		Legs may be specified in any Knoll core paints, Dark Red (130) and Slate blue (131) paint finishes.
3. Edge Finish (matches top finish)	118 Top laminate		
4. End panel finish	118 Top edge		
5. Edge finish (matches end panel finish)	118 Center beam finish		
6. Center beam finish	118 Base finish		
7. Base finish			

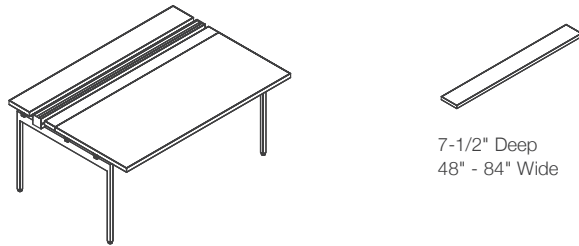
Rectangular Tops for Desks or Big Tables



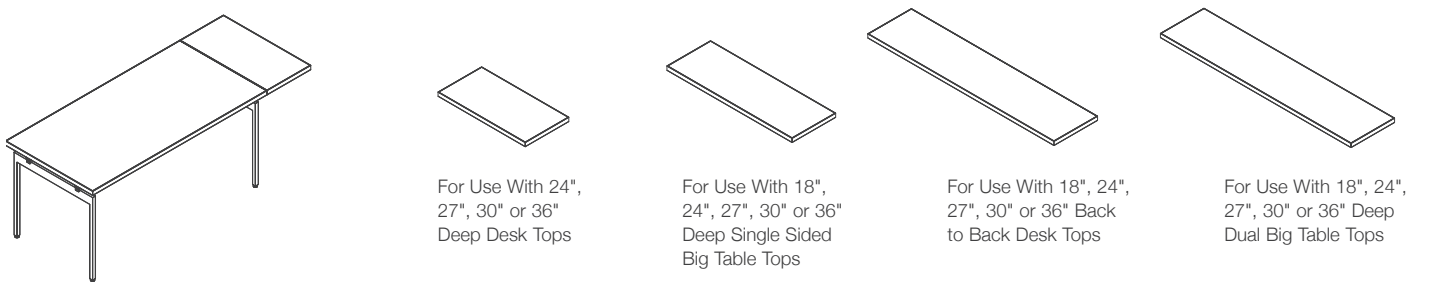
Rectangular with Hinged Access Tops for Big Tables



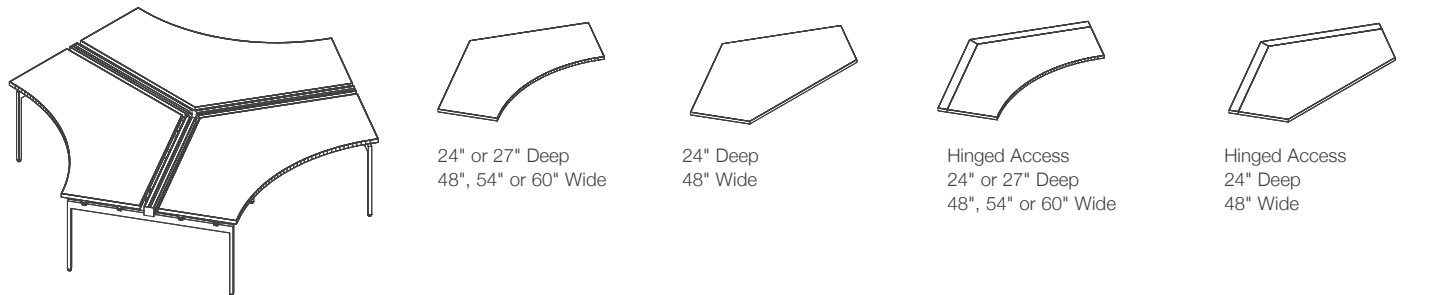
Back Tops for Single Sided Big Table



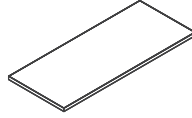
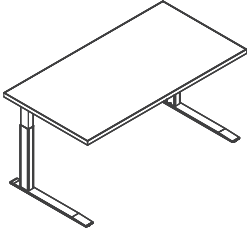
Extension Tops for Desks or Big Tables



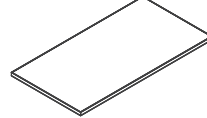
120 Degree Tops for Big Tables



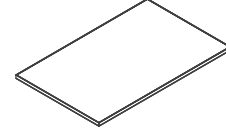
C-Leg and T-Leg Table Tops



24" Deep
36" - 72" Wide

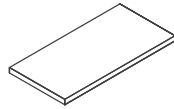
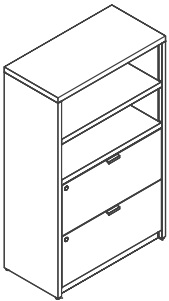


30" Deep
36" - 72" Wide

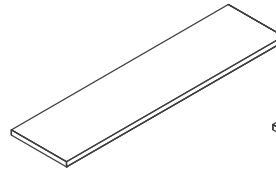


36" Deep
48" - 72" Wide

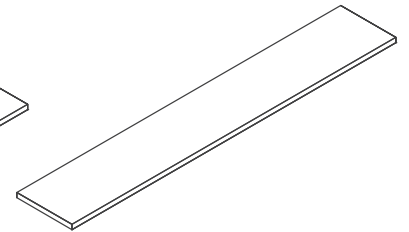
Full Width Template Tops



Single Unit Cases
24" - 48" Wide

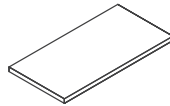
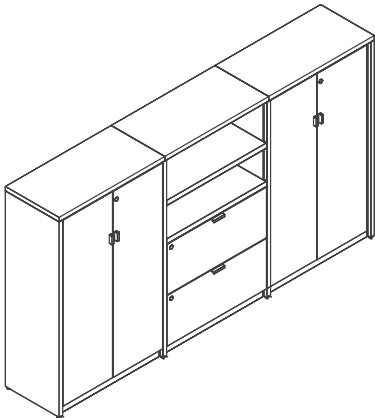


Double Unit Cases
48" - 96" Wide

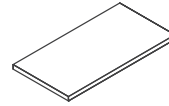


Triple Unit Cases
72" - 96" Wide

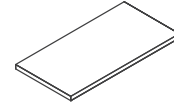
End and Mid Position Template Tops



End Position,
Single Unit Cases
18" - 48" Wide

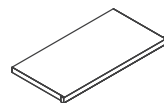
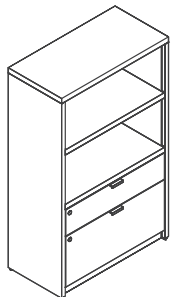


End Position,
Multiple Unit Cases
60" - 96" Wide

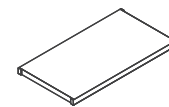


Mid Position
24" - 48" Wide

Template Worksurface Shelves



Single-Sided
18" - 72" Wide



Dual-Sided
18" - 72" Wide

Tops

Tops for Antenna Workspaces are the central element in any type of planning. Tops are available in two types: Antenna tops, in laminate or veneer, and Overlay tops, in laminate or veneer top surface with solid wood edge.

Antenna Tops

Antenna tops are designed in straightforward rectangular shapes optimized for stand-alone applications as well as linking side by side or at right angles, or in big tables. Tops are universal in application as tables, desks, returns, or bridges.

Tops for desks or tables are full dimension, 18", 24", 27", 30", 36", 42" and 48" depths, and available in every 6" increment of width from 30"-96". 18" deep tops are for return or bridge applications. Tops 18"-36" deep in widths from 48"-84" can also be planned in big table applications.

Tops with hinged access are dedicated to big table applications, with a full width 3 3/4" deep hinged section for easy access to outlets and wire management below the center beam. Hinged access tops are available in 18", 24", 27", 30" and 36" overall depths and widths from 48"-84" in all 6" increments.

Back tops are specified for single sided big tables. They are 7.5" deep and match desk widths in 6" increments from 48"-84". Back tops are supported by a single rail on the other side of the center beam from the primary top.

Extension tops plan at the end of a desk, back to back desks or big table. They are 15" wide and match desks 24", 27", 30" or 36" deep. Extension tops for back to back desks are 15" wide and match tops 18", 24", 27", 30" or 36" deep with overall depths of 39-3/4", 51 3/4", 57 3/4", 63 3/4" or 75 3/4". Extension tops for dual big tables are 15" or 18" wide and match overall dual big table depths of 41 1/2", 53 1/2", 59 1/2", 65 1/2" and 77 1/2". Extension tops 15" wide are also available for single sided 18", 24", 27", 30" or 36" deep big tables with overall depth of 31", 37", 40", 43", or 49". Extension tops can be planned in the same or contrasting surface finish as adjacent laminate or veneer tops. Desk and big table connector kits and rails 12" wider than the adjacent top are needed for 15" wide extension top, or 15" wider for 18" wide extension top.

Construction

Antenna tops are nominal 1 3/16" thick with a laminate or veneer surface finish.

Laminate tops have a laminate top surface with an FSC-certified particle board core and

a neutral tone backer sheet for balanced construction. Edges can match the top or contrast in color, in 2.8mm ABS with 2.4mm radius top and bottom edges.

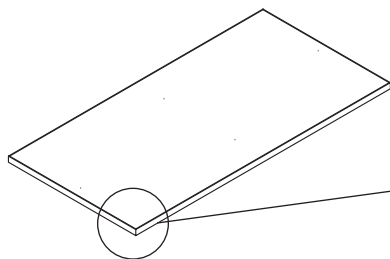
Front and back edges overlap ends with a 2.4 mm radius on outside corners. Acrylonitrile Butadiene Styrene (ABS) is a polymer used as an alternative to PVC and rubber. It is phthalate-free, flame retardant, has high heat and impact resistance, good processability, dimensional stability and high gloss.

Techwood and natural veneer tops have a veneer top surface, an FSC-certified particle board core and a neutral tone backer sheet for balanced construction. Veneer tops have matching finish 2.4mm solid veneer edges on all sides. Top and bottom edges have a 2.4mm radius. Veneer grain direction is parallel to front edge on desk tops, and parallel to end on extension tops.

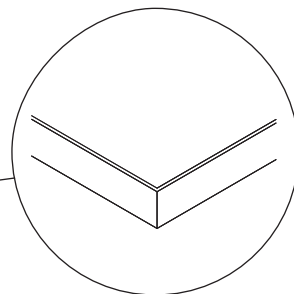
All tops have pilot holes for the two most common mounting conditions for desk legs and return connections: legs inset 1 1/2" or 5 1/2" from the both ends of the top.

Specification Options

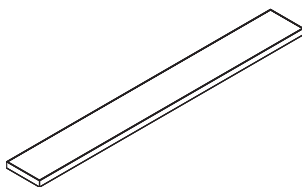
Tops available in any Knoll core laminate or veneer finish. For laminate tops, specify edgeband to match any Knoll core laminate. For veneer tops, edge must match top.



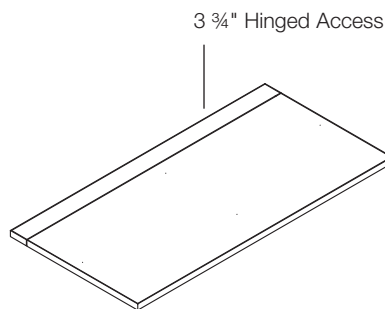
Antenna Top



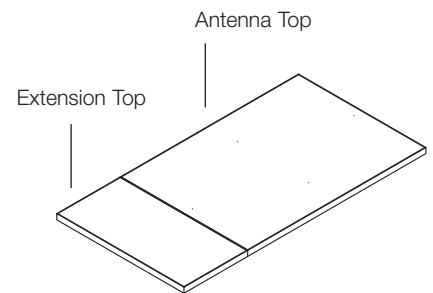
Antenna Top End Elevation



Back Top for Single Sided Big Table



Antenna Hinged Access Top

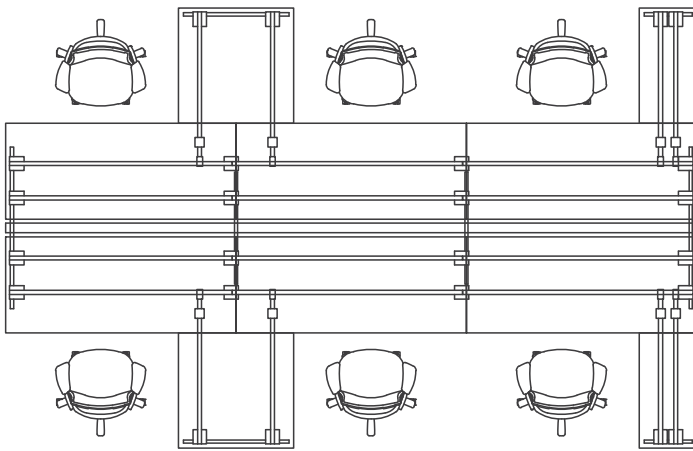


Antenna Desk Top with Extension Top

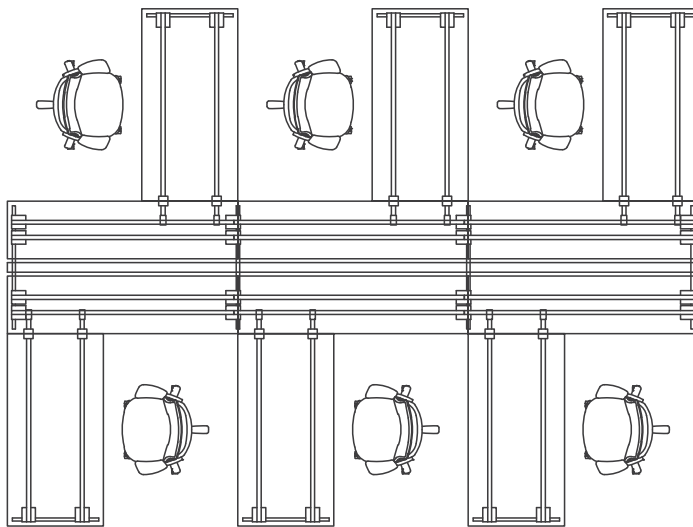
Return Top Applications

Antenna tops of any depth can serve as returns for desks or big tables at any point. For example 36", 42" or 48" deep tops can be a cost-effective shared return centered on adjacent linked desks or big table tops. These can be supported by a single pair of return rails and a desk end leg or table desk end leg.

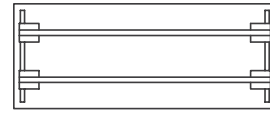
In another type of planning, 27" or 30" deep tops can become individual, primary desk surfaces as returns off of a 24" deep big table "spine".



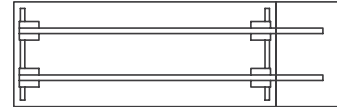
30" Deep Dual Sided Big Table with Returns as Secondary Workspaces



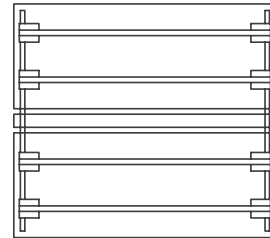
18" Deep Dual Sided Big Table with Returns as Primary Workspaces



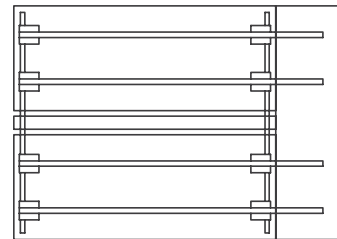
Rectangular Table



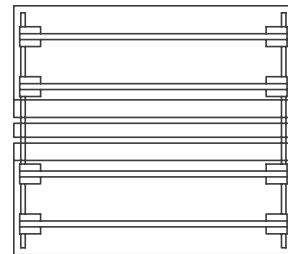
Rectangular Desk with Extension Top



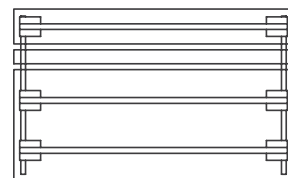
Dual Sided Big Table



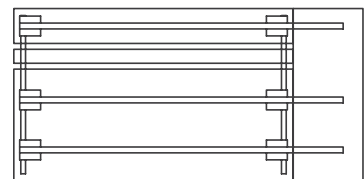
Dual Sided Big Table with Extension Top



Dual Sided Big Table with Hinged Access Tops





Single Sided Big Table



Single Sided Big Table with Extension Top

Antenna Tops For Desks or Big Tables



18" and 24" Deep Rectangular

description	w	d	h	pattern no.	Laminate (L)	V1 (V)	V2 (V)	V3 (V)
Antenna Tops, 18" Deep Rectangular 	30"	18"	1 1/4"	YT3018	\$175.	\$397.	\$456.	\$617.
	36"	18"	1 1/4"	YT3618	196.	419.	482.	651.
	42"	18"	1 1/4"	YT4218	227.	442.	508.	686.
	48"	18"	1 1/4"	YT4818	253.	459.	528.	713.
	54"	18"	1 1/4"	YT5418	268.	481.	555.	747.
	60"	18"	1 1/4"	YT6018	292.	504.	581.	782.
	66"	18"	1 1/4"	YT6618	314.	526.	605.	818.
	72"	18"	1 1/4"	YT7218	332.	549.	631.	852.
	78"	18"	1 1/4"	YT7818	356.	570.	657.	887.
	84"	18"	1 1/4"	YT8418	375.	599.	688.	930.
	90"	18"	1 1/4"	YT9018	417.	627.	716.	971.
96"	18"	1 1/4"	YT9618	462.	649.	744.	1,004.	
Antenna Tops, 24" Deep Rectangular 	30"	24"	1 1/4"	YT3024	202.	432.	496.	670.
	36"	24"	1 1/4"	YT3624	225.	453.	522.	704.
	42"	24"	1 1/4"	YT4224	258.	476.	548.	739.
	48"	24"	1 1/4"	YT4824	288.	498.	572.	774.
	54"	24"	1 1/4"	YT5424	312.	531.	611.	825.
	60"	24"	1 1/4"	YT6024	337.	565.	650.	878.
	66"	24"	1 1/4"	YT6624	364.	588.	676.	912.
	72"	24"	1 1/4"	YT7224	379.	610.	702.	947.
	78"	24"	1 1/4"	YT7824	408.	638.	735.	992.
	84"	24"	1 1/4"	YT8424	432.	667.	766.	1,035.
	90"	24"	1 1/4"	YT9024	486.	694.	798.	1,078.
96"	24"	1 1/4"	YT9624	529.	721.	830.	1,121.	

Ordering Information	Order Code	Included With	Options
Antenna Tops 1. Pattern Number 2. Top Finish 3. Edge Finish (for laminate tops only)	Antenna Tops <hr/> <i>Example:</i> YT7824, 118, 118 <hr/> YT Pattern Number <hr/> 78 Width <hr/> 24 Depth <hr/> 118 Bright White Top <hr/> 118 Bright White Edge	Antenna Tops	Antenna Tops Top Finish Options: Add an (L) for laminate or (V) for veneer suffix to pattern number. Specify 18" deep tops for return or bridge applications only.

Antenna Tops For Desks or Big Tables

27" and 30" Deep Rectangular




description	w	d	h	pattern no.	Laminate (L)	V1 (V)	V2 (V)	V3 (V)
Antenna Tops, 27" Deep Rectangular 	30"	27"	1 1/4"	YT3027	\$227.	\$448.	\$515.	\$696.
	36"	27"	1 1/4"	YT3627	253.	476.	548.	739.
	42"	27"	1 1/4"	YT4227	282.	498.	572.	774.
	48"	27"	1 1/4"	YT4827	312.	526.	605.	818.
	54"	27"	1 1/4"	YT5427	347.	560.	644.	868.
	60"	27"	1 1/4"	YT6027	378.	593.	682.	921.
	66"	27"	1 1/4"	YT6627	415.	610.	702.	947.
	72"	27"	1 1/4"	YT7227	434.	632.	729.	981.
	78"	27"	1 1/4"	YT7827	463.	660.	760.	1,025.
	84"	27"	1 1/4"	YT8427	492.	688.	791.	1,069.
	90"	27"	1 1/4"	YT9027	539.	721.	830.	1,121.
96"	27"	1 1/4"	YT9627	583.	750.	863.	1,164.	
Antenna Tops, 30" Deep Rectangular 	30"	30"	1 1/4"	YT3030	253.	471.	540.	731.
	36"	30"	1 1/4"	YT3630	278.	504.	581.	782.
	42"	30"	1 1/4"	YT4230	304.	521.	599.	808.
	48"	30"	1 1/4"	YT4830	337.	560.	644.	868.
	54"	30"	1 1/4"	YT5430	382.	593.	682.	921.
	60"	30"	1 1/4"	YT6030	420.	627.	720.	973.
	66"	30"	1 1/4"	YT6630	469.	638.	735.	992.
	72"	30"	1 1/4"	YT7230	486.	660.	760.	1,025.
	78"	30"	1 1/4"	YT7830	520.	688.	791.	1,069.
	84"	30"	1 1/4"	YT8430	552.	716.	824.	1,113.
	90"	30"	1 1/4"	YT9030	593.	750.	863.	1,164.
96"	30"	1 1/4"	YT9630	635.	778.	894.	1,208.	

Tops

Ordering Information	Order Code	Included With	Options
Antenna Tops 1. Pattern Number 2. Top Finish 3. Edge Finish (for laminate tops only)	Antenna Tops <i>Example:</i> YT7827, 118, 118 YT Pattern Number 78 Width 27 Depth 118 Bright White Top 118 Bright White Edge	Antenna Tops	Antenna Tops Top Finish Options: Add an (L) for laminate or (V) for veneer suffix to pattern number.

Antenna Tops For Desks or Big Tables

36", 42" and 48" Deep Rectangular

description	w	d	h	pattern no.	Laminate (L)	V1 (V)	V2 (V)	V3 (V)
Antenna Tops, 36" Deep Rectangular 	30"	36"	1 1/4"	YT3036	\$276.	\$504.	\$581.	\$782.
	36"	36"	1 1/4"	YT3636	306.	537.	618.	833.
	42"	36"	1 1/4"	YT4236	334.	570.	657.	887.
	48"	36"	1 1/4"	YT4836	369.	604.	696.	938.
	54"	36"	1 1/4"	YT5436	419.	638.	735.	992.
	60"	36"	1 1/4"	YT6036	463.	672.	773.	1,043.
	66"	36"	1 1/4"	YT6636	515.	705.	811.	1,094.
	72"	36"	1 1/4"	YT7236	535.	739.	850.	1,148.
	78"	36"	1 1/4"	YT7836	570.	773.	889.	1,199.
	84"	36"	1 1/4"	YT8436	607.	806.	927.	1,252.
	90"	36"	1 1/4"	YT9036	652.	840.	966.	1,303.
96"	36"	1 1/4"	YT9636	700.	867.	998.	1,347.	
Antenna Tops, 42" Deep Rectangular 	42"	42"	1 1/4"	YT4242	361.	613.	705.	952.
	84"	42"	1 1/4"	YT8442	668.	866.	997.	1,346.
Antenna Tops, 48" Deep Rectangular 	30"	48"	1 1/4"	YT3048	320.	583.	670.	904.
	36"	48"	1 1/4"	YT3648	352.	610.	702.	947.
	42"	48"	1 1/4"	YT4248	386.	655.	753.	1,016.
	48"	48"	1 1/4"	YT4848	443.	694.	798.	1,078.
	54"	48"	1 1/4"	YT5448	504.	734.	846.	1,140.
	60"	48"	1 1/4"	YT6048	557.	773.	889.	1,199.
	66"	48"	1 1/4"	YT6648	618.	811.	934.	1,260.
	72"	48"	1 1/4"	YT7248	643.	850.	977.	1,320.
	78"	48"	1 1/4"	YT7848	685.	889.	1,022.	1,379.
	84"	48"	1 1/4"	YT8448	729.	927.	1,066.	1,439.
	90"	48"	1 1/4"	YT9048	783.	966.	1,111.	1,499.
96"	48"	1 1/4"	YT9648	840.	998.	1,148.	1,549.	

Ordering Information

Antenna Tops

1. Pattern Number
2. Top Finish
3. Edge Finish
(for laminate tops only)

Order Code

Antenna Tops

Example: **YT7836, 118, 118**

YT	Pattern Number
78	Width
36	Depth
118	Bright White Top
118	Bright White Edge

Included With

Antenna Tops

Options

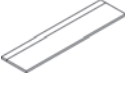
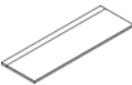
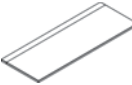
Antenna Tops

Top Finish Options:

Add an (L) for laminate or (V) for veneer suffix to pattern number.

Antenna Hinged Access Tops for Big Tables

18", 24" and 27" Deep Rectangular

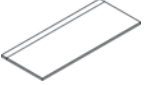
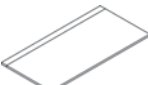
description	w	d	h	pattern no.	Laminate (L)	V1 (V)	V2 (V)	V3 (V)
Antenna Big Table Tops with Hinged Access, 18" Deep 	48"	18"	1 1/4"	YTH4818	\$579.	\$785.	\$854.	\$1,039.
	54"	18"	1 1/4"	YTH5418	594.	807.	881.	1,073.
	60"	18"	1 1/4"	YTH6018	618.	830.	907.	1,108.
	66"	18"	1 1/4"	YTH6618	640.	852.	931.	1,144.
	72"	18"	1 1/4"	YTH7218	658.	875.	957.	1,178.
	78"	18"	1 1/4"	YTH7818	682.	896.	983.	1,213.
	84"	18"	1 1/4"	YTH8418	701.	925.	1,014.	1,256.
Antenna Big Table Tops with Hinged Access, 24" Deep 	48"	24"	1 1/4"	YTH4824	580.	789.	908.	1,225.
	54"	24"	1 1/4"	YTH5424	603.	823.	946.	1,277.
	60"	24"	1 1/4"	YTH6024	628.	856.	984.	1,330.
	66"	24"	1 1/4"	YTH6624	655.	879.	1,011.	1,365.
	72"	24"	1 1/4"	YTH7224	671.	900.	1,037.	1,399.
	78"	24"	1 1/4"	YTH7824	699.	929.	1,069.	1,443.
	84"	24"	1 1/4"	YTH8424	721.	957.	1,100.	1,485.
Antenna Big Table Tops with Hinged Access, 27" Deep 	48"	27"	1 1/4"	YTH4827	603.	818.	940.	1,268.
	54"	27"	1 1/4"	YTH5427	638.	851.	978.	1,321.
	60"	27"	1 1/4"	YTH6027	670.	885.	1,017.	1,372.
	66"	27"	1 1/4"	YTH6627	707.	900.	1,037.	1,399.
	72"	27"	1 1/4"	YTH7227	723.	924.	1,062.	1,433.
	78"	27"	1 1/4"	YTH7827	755.	952.	1,094.	1,478.
	84"	27"	1 1/4"	YTH8427	782.	979.	1,126.	1,520.

Tops

Ordering Information	Order Code	Included With	Options
Antenna Big Table Tops 1. Pattern Number 2. Top Finish 3. Edge Finish (for laminate tops only) 4. Paint Finish	Antenna Big Table Tops <i>Example:</i> YTH7827, 118, 118, 118T <hr/> YT Pattern Number <hr/> H Hinged Access <hr/> 78 Width <hr/> 27 Depth <hr/> 118 Bright White Top <hr/> 118 Bright White Edge <hr/> 118T Bright White Paint	Antenna Big Table Tops	Antenna Big Table Tops Top Finish Options: Add an (L) for laminate or (V) for veneer suffix to pattern number.

Antenna Hinged Access Tops for Big Tables

30" and 36" Deep Rectangular

description	w	d	h	pattern no.	Laminate (L)	V1 (V)	V2 (V)	V3 (V)
Antenna Big Table Tops with Hinged Access, 30" Deep 	48"	30"	1 1/4"	YTH4830	\$628.	\$851.	\$978.	\$1,321.
	54"	30"	1 1/4"	YTH5430	673.	885.	1,017.	1,372.
	60"	30"	1 1/4"	YTH6030	712.	918.	1,056.	1,425.
	66"	30"	1 1/4"	YTH6630	759.	935.	1,074.	1,451.
	72"	30"	1 1/4"	YTH7230	778.	952.	1,094.	1,478.
	78"	30"	1 1/4"	YTH7830	810.	979.	1,126.	1,520.
	84"	30"	1 1/4"	YTH8430	844.	1,007.	1,158.	1,564.
Antenna Big Table Tops with Hinged Access, 36" Deep 	48"	36"	1 1/4"	YTH4836	729.	963.	1,055.	1,297.
	54"	36"	1 1/4"	YTH5436	778.	997.	1,093.	1,350.
	60"	36"	1 1/4"	YTH6036	822.	1,030.	1,131.	1,402.
	66"	36"	1 1/4"	YTH6636	874.	1,064.	1,171.	1,453.
	72"	36"	1 1/4"	YTH7236	893.	1,098.	1,209.	1,506.
	78"	36"	1 1/4"	YTH7836	929.	1,131.	1,247.	1,558.
	84"	36"	1 1/4"	YTH8436	965.	1,165.	1,285.	1,610.

Ordering Information

Antenna Tops

1. Pattern Number
2. Top Finish
3. Edge Finish (for laminate tops only)
4. Paint Finish

Order Code

Antenna Tops

Example: **YTH7830, 118, 118, 118T**

YT	Pattern Number
H	Hinged Access
78	Width
30	Depth
118	Bright White Top
118	Bright White Edge
118T	Bright White Paint

Included With

Antenna Tops

Options


Antenna Tops

Top Finish Options:

Add an (L) for laminate or (V) for veneer suffix to pattern number.

Antenna Back Tops for Single Sided Big Tables

7.5" Deep Rectangular

description	w	d	pattern no.	Laminate (L)	V1 (V)	V2 (V)	V3 (V)
Antenna Back Tops for Single Sided Big Tables, 7.5" Deep 	48"	7.5"	YT4808	\$178.	\$350.	\$403.	\$523.
	54"	7.5"	YT5408	188.	365.	419.	545.
	60"	7.5"	YT6008	220.	398.	459.	595.
	66"	7.5"	YT6608	226.	406.	466.	607.
	72"	7.5"	YT7208	235.	413.	475.	617.
	78"	7.5"	YT7808	240.	419.	482.	627.
	84"	7.5"	YT8408	246.	456.	525.	681.

Tops

Ordering Information

Antenna Tops

1. Pattern Number
2. Top Finish
3. Edge Finish
(for laminate tops only)

Order Code

Antenna Tops

Example: **YT5408, 118, 118**

YT	Top
54	Width
08	Depth
118	Bright White Top
118	Bright White Edge

Included With

Antenna Tops

Options

Antenna Tops






Top Finish Options:

Add an (L) for laminate or (V) for veneer suffix to pattern number.

Antenna Extension Tops for Desks and Big Tables

15" and 18" Wide Rectangular

Antenna Workspaces

description	type	w	d	h	pattern no.	Laminate (L)	V1 (V)	V2 (V)	V3 (V)
Antenna Desk Extension Tops, 15" Wide Rectangular 	For use with 24" deep desk tops	15"	24"	1 1/4"	YTE1524	\$165.	\$313.	\$361.	\$486.
	For use with 27" deep desk tops	15"	27"	1 1/4"	YTE1527	170.	325.	374.	504.
	For use with 30" deep desk tops	15"	30"	1 1/4"	YTE1530	175.	335.	386.	522.
	For use with 36" deep desk tops	15"	36"	1 1/4"	YTE1536	196.	359.	412.	557.
Antenna Back to Back Desk Extension Tops, 15" Wide Rectangular 	For use with 18" deep back to back tops	15"	39 3/4"	1 1/4"	YTE1539	261.	375.	432.	583.
	For use with 24" deep back to back tops	15"	51 3/4"	1 1/4"	YTE1552	301.	421.	485.	655.
	For use with 27" deep back to back tops	15"	57 3/4"	1 1/4"	YTE1558	312.	438.	504.	679.
	For use with 30" deep back to back tops	15"	63 3/4"	1 1/4"	YTE1564	326.	455.	524.	708.
	For use with 36" deep back to back tops	15"	75 3/4"	1 1/4"	YTE1576	337.	463.	526.	750.
Antenna Dual Sided Big Table Extension Tops, 15" Wide Rectangular 	For use with 18" deep dual big table tops	15"	41 1/2"	1 1/4"	YTE1541	261.	375.	432.	583.
	For use with 24" deep dual big table tops	15"	53 1/2"	1 1/4"	YTE1553	301.	421.	485.	655.
	For use with 27" deep dual big table tops	15"	59 1/2"	1 1/4"	YTE1559	312.	438.	504.	679.
	For use with 30" deep dual big table tops	15"	65 1/2"	1 1/4"	YTE1565	326.	455.	524.	708.
	For use with 36" deep dual big table tops	15"	77 1/2"	1 1/4"	YTE1577	337.	463.	526.	750.
Antenna Dual Sided Big Table Extension Tops, 18" Wide Rectangular 	For use with 18" deep dual big table tops	18"	41 1/2"	1 1/4"	YTE1841	268.	450.	518.	699.
	For use with 24" deep dual big table tops	18"	53 1/2"	1 1/4"	YTE1853	309.	507.	580.	787.
	For use with 27" deep dual big table tops	18"	59 1/2"	1 1/4"	YTE1859	341.	528.	605.	818.
	For use with 30" deep dual big table tops	18"	65 1/2"	1 1/4"	YTE1865	351.	549.	626.	849.
	For use with 36" deep dual big table tops	18"	77 1/2"	1 1/4"	YTE1877	372.	559.	642.	890.
Antenna Single Sided Big Table Extension Tops, 15" Wide Rectangular 	For use with 18" deep single big table tops	15"	31"	1 1/4"	YTE1531	174.	384.	441.	572.
	For use with 24" deep single big table tops	15"	37"	1 1/4"	YTE1537	190.	395.	455.	591.
	For use with 27" deep single big table tops	15"	40"	1 1/4"	YTE1540	197.	401.	462.	600.
	For use with 30" deep single big table tops	15"	43"	1 1/4"	YTE1543	201.	438.	503.	654.
	For use with 36" deep single big table tops	15"	49"	1 1/4"	YTE1549	233.	450.	518.	672.

Ordering Information

Antenna Extension Tops

1. Pattern Number
2. Top Finish
3. Edge Finish
(for laminate tops only)

Order Code

Antenna Extension Tops

Example: **YTE1559, 118, 118**

YT Pattern Number

E Extension

15 Width

59 Depth

118 Bright White Top

118 Bright White Edge

Included With

Antenna Extension Tops

Options

Antenna Extension Tops

Top Finish Options:

Add an (L) for laminate or (V) for veneer suffix to pattern number.

Antenna dual big tables can be planned in 120 degree configurations with 120 degree Antenna tops, intermediate legs for 120 degree, standard big table end legs, rails, center beams and power components.

120 degree Antenna tops match the straight top edge details for laminate and veneer surfaces. Tops have a curvilinear front edge and are available in 48"x48", 54"x54" and 60"x60" widths 24" and 27" deep. 120 degree corner tops are also available with a straight front edge 48" x 48" in 24" depth only. All tops are available with or without a 3 3/4"D hinged access on each back edge with a mitered joint in the back corner.

When planning with 120 degree tops, an intermediate leg for 120 degree must be specified. The vertical legs are shifted to allow for ample kneespace. The top of the intermediate leg for 120 degree is the same as the big table inset intermediate leg, with two standard cradles for rails, two extended arm cradles and brackets for the center beam between them.

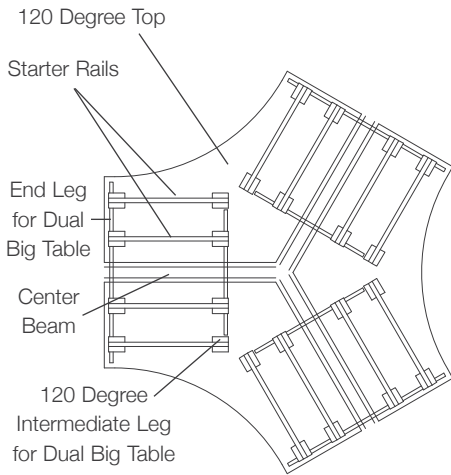
Big table 120 degree planning uses the same components and capabilities as standard straight big table applications: linked modular power components, cable baskets and wire management, center beam mounted screens, storage and monitor arms. Pedestals must be specified as mobile or freestanding with ballast for 120 degree applications.

Basic Triad Planning

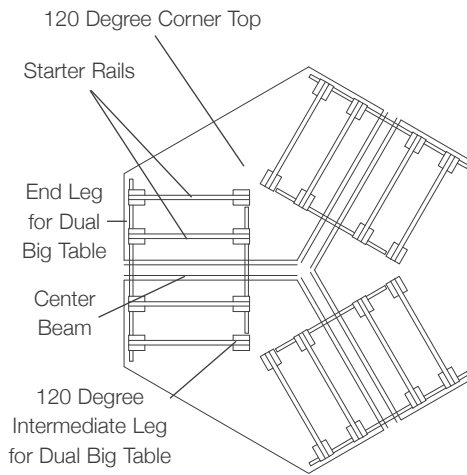
Desk tops are supported by a pair of starter rails parallel to each back edge 15" less wide than top width. Between each 120 degree desk top back edge is a matching 48", 54" or 60" center beam, with three beam end caps at the center of the configuration, as well as on outside conditions. Rails and center beam are supported by an end leg for big table at each outside end and by three 120 degree intermediate legs in the center of the configuration.

Triad Planning with Extension Tops

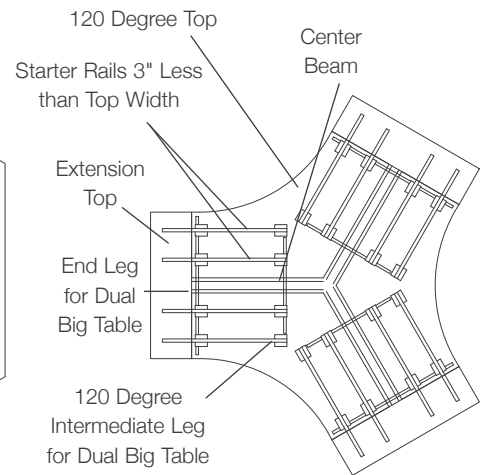
Antenna extension tops can be added at the ends of big table triads in 53" depths for 24" deep 120 tops or 59" depths for 27" deep 120 tops. Desk top rails need to be 12" longer to support the extension tops, so starter rails are 3" less than the 120 top widths. For example, specify 45" wide starter rails for extension tops planned outside the end of a triad of 48" wide 120 degree tops. Center beam widths remain the same, but the ends of the center beams next to extension tops need partial center beam end caps.



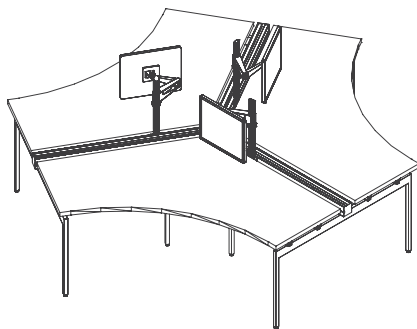
Basic Triad with 120 Degree Tops



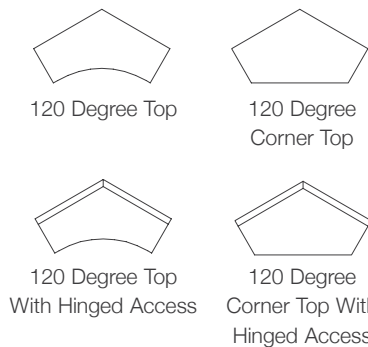
Basic Triad with 120 Degree Corner Tops



Basic Triad with 120 Degree and Extension Tops



Basic Triad with 120 Degree Tops



Top Width	Starter Rail Length	Extended Rail Length	Center Beam Width
48"	33"	36"	48"
54"	39"	42"	54"
60"	45"	48"	60"

Rail and Center Beam Dimensions for 120 Degree Planning

Triad Planning with Adjacent Rectangular Tops

Rectangular big table tops with a center beam in 48" to 84" widths can extend at the ends of big table triads. Rectangular tops can be supported by matching width extended rails, a big table intermediate leg or inset intermediate leg and a big table end leg.

Dogbone Planning Configurations

When two triads are linked, two end legs can be replaced by a single big table intermediate leg or inset intermediate leg. Two pairs of starter rails for one of the two triads should be changed to extended rails that are 3" longer. All other components are unchanged.

Dogbone configurations can also be linked by straight desk tops and matching width center beams. In this application, the straight tops can be supported by pairs of extended rails matching in width, extended rails under one of the adjacent triads and big table intermediate or inset intermediate legs.

Construction

Antenna tops are nominal 1 ³/₁₆" thick with a laminate or veneer surface finish.

Laminate tops have a laminate top surface with an FSC-certified particle board core and a neutral tone backer sheet for balanced construction. Edges can match the top or contrast in color, in 2.8mm ABS with 2.4mm radius top and bottom edges. Front and back edges overlap ends with a 2.4 mm radius on outside corners. Acrylonitrile Butadiene Styrene (ABS) is a polymer used as an alternative to PVC and rubber. It is phthalate-free, flame retardant, has high heat and impact resistance, good processability, dimensional stability and high gloss.

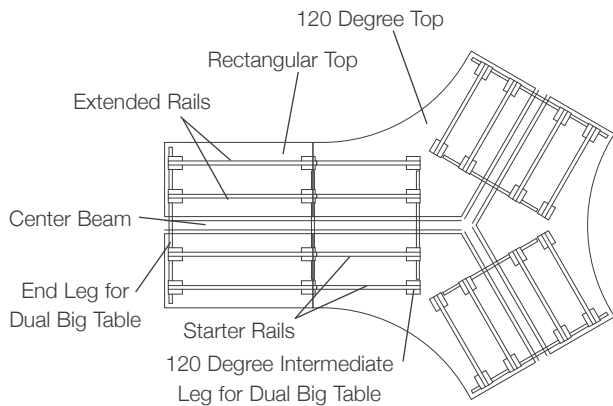
Techwood and natural veneer tops have a veneer top surface, an FSC-certified particle board core and a neutral tone backer sheet for balanced construction. Veneer tops have

matching finish 2.4mm solid veneer edges on all sides. Top and bottom edges have a 2.4mm radius. Veneer grain direction is parallel to front edge on desk tops, and parallel to end on extension tops. All tops have pilot holes for the two most common mounting conditions for desk legs and return connections: legs inset 1 1/2" or 5 1/2" from the both ends of the top.

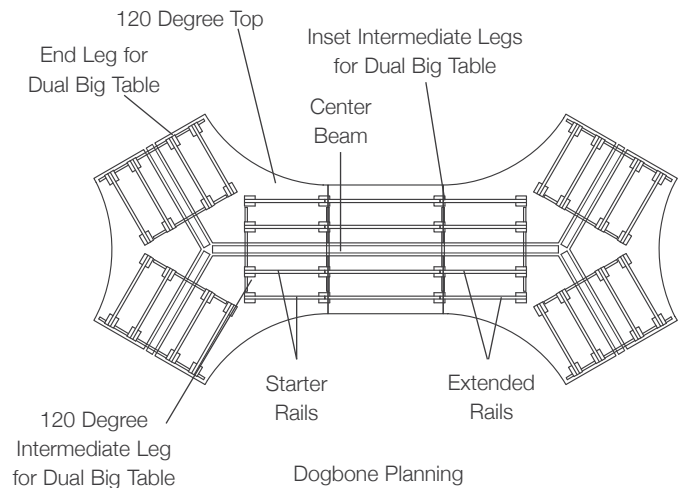
Specification Options

Tops available in any Knoll Core laminate or veneer finish. For laminate tops, specify edgeband to match any Knoll Core laminate.

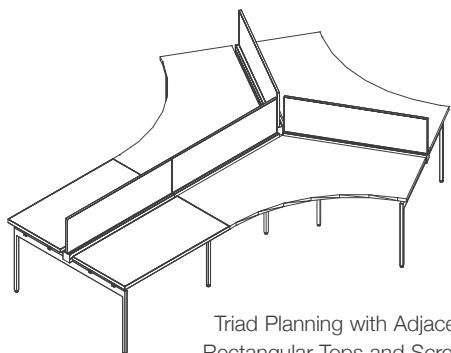
For veneer tops, edge must match top.



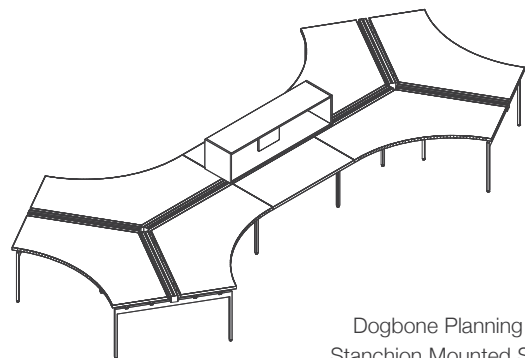
Triad Planning with Adjacent Rectangular Tops



Dogbone Planning







Triad Planning with Adjacent Rectangular Tops and Screens



Dogbone Planning with Stanchion Mounted Storage

Antenna Tops for 120° Planning 24" and 27" Deep

description	w	d	h	pattern no.	Laminate (L)	V1 (V)	V2 (V)	V3 (V)
120° Top 	48"	24"	1 1/4"	YTVC24484824()	\$739.	\$1,630.	\$1,874.	\$2,437.
	48"	27"	1 1/4"	YTVC27484827()	750.	1,657.	1,906.	2,478.
	54"	24"	1 1/4"	YTVC24545424()	788.	1,723.	1,982.	2,577.
	54"	27"	1 1/4"	YTVC27545427()	873.	1,818.	2,091.	2,718.
	60"	24"	1 1/4"	YTVC24606024()	911.	1,886.	2,168.	2,819.
	60"	27"	1 1/4"	YTVC27606027()	926.	1,917.	2,204.	2,866.
120° Top with Hinged Access 	48"	24"	1 1/4"	YTHVC24484824()	1,508.	2,689.	3,092.	4,019.
	48"	27"	1 1/4"	YTHVC27484827()	1,519.	2,719.	3,127.	4,064.
	54"	24"	1 1/4"	YTHVC24545424()	1,560.	2,821.	3,244.	4,218.
	54"	27"	1 1/4"	YTHVC27545427()	1,573.	2,848.	3,276.	4,258.
	60"	24"	1 1/4"	YTHVC24606024()	1,707.	2,918.	3,354.	4,361.
	60"	27"	1 1/4"	YTHVC27606027()	1,722.	2,949.	3,390.	4,407.
120° Corner Top 	48"	24"	1 1/4"	YTVS24484824()	739.	1,592.	1,830.	2,381.
120° Corner Top with Hinged Access 	48"	24"	1 1/4"	YTHVS24484824()	1,508.	2,756.	3,169.	4,120.

Tops

Ordering Information	Order Code	Included With	Options
Antenna Tops 1. Pattern Number 2. Top Finish 3. Edge Finish (for laminate tops only)	Antenna Tops <i>Example:</i> YTHVC27545427L, 118, 118 YT Antenna Top H Hinged Access VC 120° 27 Depth 54 Width 54 Width 27 Depth L Laminate 118 Bright White Laminate 118 Bright White Edge	Antenna Tops	Antenna Tops Top Finish Options: (L) = Laminate (V) = Veneer

Antenna Tops For C-Leg and T-Leg Tables

Planning Guidelines and Specification

Antenna C-Leg and T-Leg tops are designed for use with fixed height and adjustable height C-Leg and T-Leg bases only.

Rectangular tops are full dimension, 24", 30" and 36" depths, and available in every 6" increment of nominal width from 36"- 72". Rectangular top widths are undersized by 3" for blending with other products planning on a standard module.

Construction

Antenna tops are nominal 1 ³/₁₆" thick with a laminate or veneer surface finish.

Laminate tops have a laminate top surface with an FSC-certified particle board core and a neutral tone backer sheet for balanced

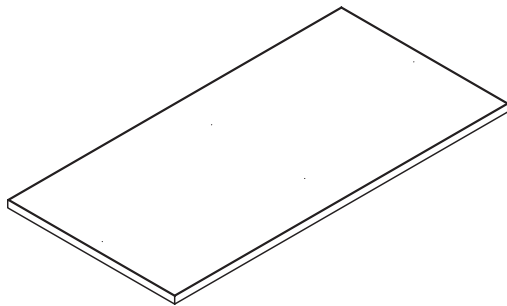
construction. Edges can match the top or contrast in color, in 2.8mm ABS with 2.4mm radius top and bottom edges. Front and back edges overlap ends with a 2.4mm radius on outside corners. Acrylonitrile Butadiene Styrene (ABS) is a polymer used as an alternative to PVC and rubber. It is phthalate-free, flame retardant, has high heat and impact resistance, good processability, dimensional stability and high gloss.

Techwood and natural veneer tops have a veneer top surface, an FSC-certified particle board core and a neutral tone backer sheet for balanced construction. Veneer tops have matching finish 2.4mm solid veneer edges on all sides. Top and bottom edges a 2.4mm

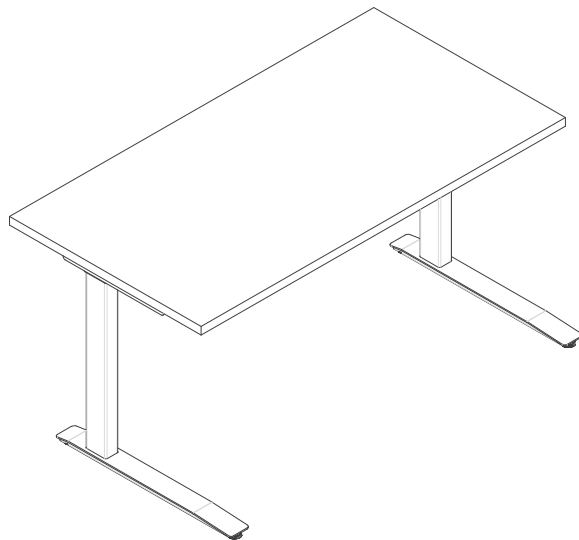
radius. Veneer grain direction is parallel to front edge of top. All tops have pre-drilled pilot holes for use with corresponding depth fixed or height adjustable C-Leg or T-Leg bases to create freestanding tables.

Specification Options

Tops available in any Knoll core laminate or veneer finish. For laminate tops, specify edgeband to match and Knoll core laminate. For veneer tops, edge must match top.






Antenna C-Leg or T-Leg Top



30"D x 60"W C-Leg Fixed Height Table

Antenna Tops For C-Leg and T-Leg Tables

24", 30" and 36" Deep Rectangular

description	type	w*	w	d	h	pattern no.	Laminate (L)	V1 (V)	V2 (V)	V3 (V)	
Antenna C-Leg Tops, 24" Deep 	For use with 24"D C-Leg base	36"	33"	24"	1 1/4"	YT3324()	\$225.	\$453.	\$522.	\$704.	
		42"	39"	24"	1 1/4"	YT3924()	258.	476.	548.	739.	
		48"	45"	24"	1 1/4"	YT4524()	288.	498.	572.	774.	
		54"	51"	24"	1 1/4"	YT5124()	312.	531.	611.	825.	
		60"	57"	24"	1 1/4"	YT5724()	337.	565.	650.	878.	
		66"	63"	24"	1 1/4"	YT6324()	364.	588.	676.	912.	
		72"	69"	24"	1 1/4"	YT6924()	379.	610.	702.	947.	
Antenna C-Leg and T-Leg Tops, 30" Deep 	For use with 30"D C-Leg base	36"	33"	30"	1 1/4"	YT3330()	278.	504.	581.	782.	
		42"	39"	30"	1 1/4"	YT3930()	304.	521.	599.	808.	
	For use with 30"D C-Leg or T-Leg base	48"	45"	30"	1 1/4"	YT4530()	337.	560.	644.	868.	
		54"	51"	30"	1 1/4"	YT5130()	382.	593.	682.	921.	
		60"	57"	30"	1 1/4"	YT5730()	420.	627.	720.	973.	
		66"	63"	30"	1 1/4"	YT6330()	469.	638.	735.	992.	
		72"	69"	30"	1 1/4"	YT6930()	486.	660.	760.	1,025.	
		72"	69"	30"	1 1/4"	YT6930()	486.	660.	760.	1,025.	
	Antenna T-Leg Tops, 36" Deep 	For use with 30"D T-Leg base	48"	45"	36"	1 1/4"	YT4536()	369.	604.	696.	938.
			54"	51"	36"	1 1/4"	YT5136()	419.	638.	735.	992.
60"			57"	36"	1 1/4"	YT5736()	463.	672.	773.	1,043.	
66"			63"	36"	1 1/4"	YT6336()	515.	705.	811.	1,094.	
72"			69"	36"	1 1/4"	YT6936()	535.	739.	850.	1,148.	

Tops

w* = nominal width

Ordering Information	Order Code	Included With	Options
Antenna Tops 1. Pattern Number 2. Top Finish 3. Edge Finish (for laminate tops only)	Antenna Tops <hr/> <i>Example:</i> YT5730L, 118, 118 <hr/> YT Top <hr/> 57 Width <hr/> 30 Depth <hr/> L Laminate <hr/> 118 Bright White Laminate <hr/> 118 Bright White Edge	Antenna Tops	Antenna Tops Top Finish Options: Add an (L) for laminate or (V) for veneer suffix to pattern number.

Antenna tops and worksurface shelves for use with the Template Storage System are designed to match the front edge material, profile and thickness of Antenna desk and table tops.

Antenna Tops for the Template Storage System

Antenna wood tops for Template are fastened to the top of end and mid panels. Tops vary in width from 15"-96", based on the number of mid panels in a linked cluster of Template units. Tops are application specific because Template tops are full width for a single unit and are 1" shorter for each shared mid panel within multiple unit configurations.

Full width tops are 15" deep in 24", 30", 36", 42" and 48" widths for single unit cases. For two position cases, with one shared mid panel, full width tops are available 1" less wide than nominal widths from 48"-96" in every 6" increment. For three position cases, with two mid panels, full width tops are available 2" less than nominal 72"-96" widths in 6" increments.

Antenna end position tops are available for end positions of multiple unit Template configurations. End position tops are 1/2" less than nominal widths, so one end of the top ends in the middle of a mid panel. For mid position applications within multiple unit cases, Antenna tops are available 1" less than nominal widths. Both ends of a middle position top end in the middle of mid panels.

Worksurface Shelves for the Template Storage System

Worksurface shelves are required above Template box or file drawer inserts or when attaching Antenna desk tops to Template storage units. Antenna worksurface shelves match the front edge radius and material of Antenna tops.

Worksurface shelves are available in two types: single sided and dual sided. Single sided shelves are detailed to fit flush to the front edge of the end or mid panels, with a back edge dimensioned to provide a wire drop or space for a tackable insert inside the back panel. Dual sided shelves fit flush to both the front and back edges of end or mid panels, which creates an open pass through the Template unit.

Worksurface shelves are available in every 6" increment of nominal width from 18"-48" plus 60" and 72" widths. Actual overall dimension is 2" less than nominal width.

For standard Template shelves with Template design details, specify shelves in metal, laminate or veneer.

Construction

Antenna tops are nominal 1 3/16" thick with laminate or veneer surface finish.

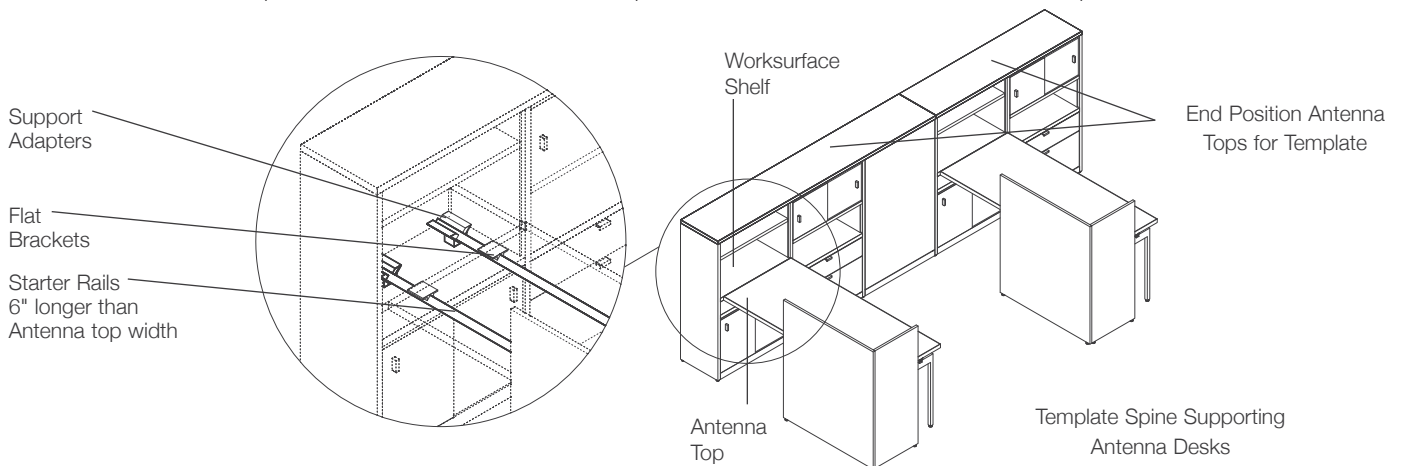
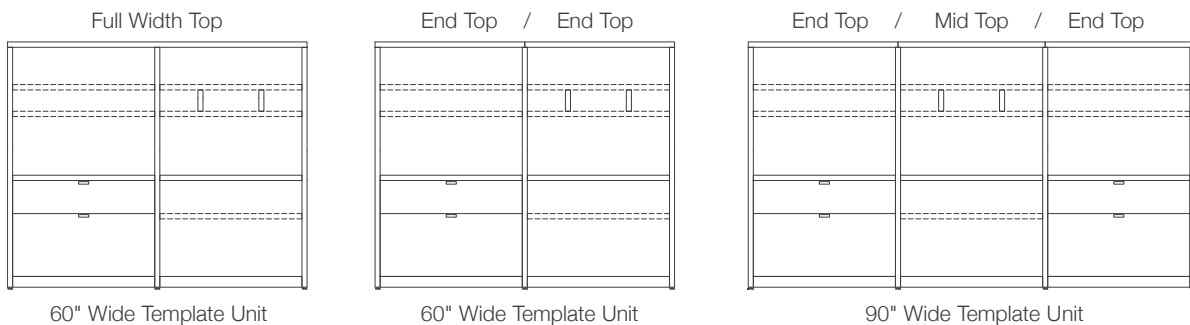
Laminate tops have a laminate top surface with an FSC-certified particle board core and a neutral tone backer sheet for balanced construction. Edges can match the top or contrast in color in 2.8mm ABS with 2.4mm radius top and bottom edges. Front and back edges overlap ends with a 2.4 mm radius on outside corners.

Acrylonitrile Butadiene Styrene (ABS) is a polymer used as an alternative to PVC and rubber. It is phthalate-free, flame retardant, has high heat and impact resistance, good processability, dimensional stability and high gloss.

Techwood and natural veneer tops have a veneer top surface with an FSC-certified particle board core and a neutral tone backer sheet for balanced construction. Veneer tops have matching finish 2.4mm solid veneer edges on all sides. Top and bottom edges have a 2.4mm radius. Veneer grain direction is parallel to front edge.

Specifications Options

Tops or worksurface shelf surfaces are available in any Knoll core laminate or veneer. For laminate tops and shelves, specify edgeband to match any Knoll core laminate. For veneer tops and shelves, edge must match top.



Antenna Tops and Worksurface Shelves for Template

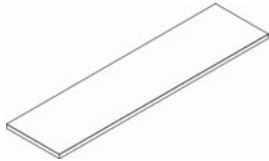
Full Width Tops

15" Deep

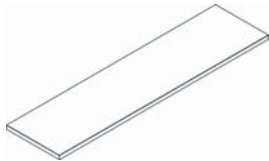
description	type	w	d	h	pattern no.	Laminate (L)	V1 (V)	V2 (V)	V3 (V)
Full Width Antenna Tops for Template, Single Unit Cases	24"W unit	24"	15"	1 1/4"	YTT24	\$165.	\$302.	\$348.	\$470.
	30"W unit	30"	15"	1 1/4"	YTT30	175.	320.	367.	495.
	36"W unit	36"	15"	1 1/4"	YTT36	196.	335.	386.	522.
	42"W unit	42"	15"	1 1/4"	YTT42	227.	353.	407.	550.
	48"W unit	48"	15"	1 1/4"	YTT48	253.	367.	421.	569.



Full Width Antenna Tops for Template, Double Unit Cases	48"W unit	47"	15"	1 1/4"	YTT47	253.	367.	421.	569.
	54"W unit	53"	15"	1 1/4"	YTT53	268.	404.	463.	626.
	60"W unit	59"	15"	1 1/4"	YTT59	292.	420.	483.	654.
	66"W unit	65"	15"	1 1/4"	YTT65	314.	439.	505.	681.
	72"W unit	71"	15"	1 1/4"	YTT71	332.	456.	525.	709.
	78"W unit	77"	15"	1 1/4"	YTT77	356.	479.	551.	743.
	84"W unit	83"	15"	1 1/4"	YTT83	375.	501.	576.	779.
	90"W unit	89"	15"	1 1/4"	YTT89	417.	520.	598.	806.
	96"W unit	95"	15"	1 1/4"	YTT95	462.	537.	618.	833.



Full Width Antenna Tops for Template, Triple Unit Cases	72"W unit	70"	15"	1 1/4"	YTT70	332.	456.	525.	709.
	78"W unit	76"	15"	1 1/4"	YTT76	356.	479.	551.	743.
	84"W unit	82"	15"	1 1/4"	YTT82	375.	501.	576.	779.
	90"W unit	88"	15"	1 1/4"	YTT88	417.	520.	598.	806.
	96"W unit	94"	15"	1 1/4"	YTT94	462.	537.	618.	833.



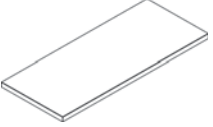
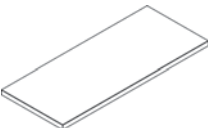
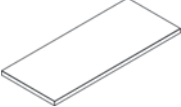
Tops

Ordering Information	Order Code	Included With	Options
Antenna Tops for Template 1. Pattern Number 2. Top Finish 3. Edge Finish (for laminate tops only)	Antenna Tops for Template <i>Example: YTT36, 118, 118</i> YTT Template Tops 36 Width 118 Bright White Top 118 Bright White Edge	Antenna Tops for Template	Antenna Tops for Template Top Finish Options: Add an (L) for laminate or (V) for veneer suffix to pattern number.

Antenna Tops and Worksurface Shelves for Template

End and Mid Position Tops

15" Deep

description	type	w	d	h	pattern no.	Laminate (L)	V1 (V)	V2 (V)	V3 (V)
End Position Antenna Tops for Single Template Units 	18"W unit	17 1/2"	15"	1 1/4"	YTTE18	\$156.	\$286.	\$328.	\$443.
	24"W unit	23 1/2"	15"	1 1/4"	YTTE24	165.	302.	348.	470.
	30"W unit	29 1/2"	15"	1 1/4"	YTTE30	175.	320.	367.	495.
	36"W unit	35 1/2"	15"	1 1/4"	YTTE36	196.	335.	386.	522.
	42"W unit	41 1/2"	15"	1 1/4"	YTTE42	227.	353.	407.	550.
	48"W unit	47 1/2"	15"	1 1/4"	YTTE48	253.	367.	421.	569.
End Position Antenna Tops for Multiple Template Units 	(2) 30"W units	58 1/2"	15"	1 1/4"	YTTE60	292.	420.	483.	654.
	30"W + 36"W units	64 1/2"	15"	1 1/4"	YTTE66	314.	439.	505.	681.
	36"W + 42"W units	76 1/2"	15"	1 1/4"	YTTE78	356.	479.	551.	743.
	(2) 42"W units	82 1/2"	15"	1 1/4"	YTTE84	375.	501.	576.	779.
	(3) 30"W units	85 1/2"	15"	1 1/4"	YTTE87	396.	511.	587.	794.
	42"W + 48"W units	88 1/2"	15"	1 1/4"	YTTE90	417.	520.	598.	806.
	(2) 48"W units	94 1/2"	15"	1 1/4"	YTTE96	462.	537.	618.	833.
Mid Position Antenna Tops for Template 	24"W unit	23"	15"	1 1/4"	YTTM23	165.	302.	348.	470.
	30"W unit	29"	15"	1 1/4"	YTTM29	175.	320.	367.	495.
	36"W unit	35"	15"	1 1/4"	YTTM35	196.	335.	386.	522.
	42"W unit	41"	15"	1 1/4"	YTTM41	227.	353.	407.	550.
	48"W unit	47"	15"	1 1/4"	YTTM47	253.	367.	421.	569.

Ordering Information

Antenna Tops for Template

1. Pattern Number
2. Top Finish
3. Edge Finish
(for laminate tops only)

Order Code

Antenna Tops for Template

Example: **YTTE36, 118, 118**

YTTE Template Tops

36 Width

118 Bright White Top

118 Bright White Edge

Included With

Antenna Tops for Template

Options

Antenna Tops for Template

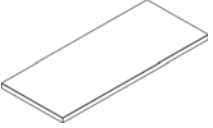
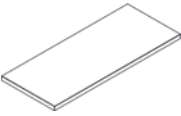
Top Finish Options:

Add an (L) for laminate or (V) for veneer suffix to pattern number.

Antenna Tops and Worksurface Shelves for Template

Worksurface Shelves

Single and Dual Sided

description	type	w	d	h	pattern no.	Laminate (L)	V1 (V)	V2 (V)	V3 (V)
Antenna Worksurface Shelves for Template, Single-Sided 	18"W unit	16"	14"	1 1/4"	YTWSHK118	\$224.	\$364.	\$418.	\$565.
	24"W unit	22"	14"	1 1/4"	YTWSHK124	232.	381.	438.	591.
	30"W unit	28"	14"	1 1/4"	YTWSHK130	241.	397.	456.	617.
	36"W unit	34"	14"	1 1/4"	YTWSHK136	263.	414.	477.	643.
	42"W unit	40"	14"	1 1/4"	YTWSHK142	295.	433.	497.	671.
	48"W unit	46"	14"	1 1/4"	YTWSHK148	320.	446.	513.	692.
	60"W unit	57"	14"	1 1/4"	YTWSHK160	360.	522.	600.	809.
	72"W unit	69"	14"	1 1/4"	YTWSHK172	400.	535.	616.	830.
Antenna Worksurface Shelves for Template, Dual-Sided 	18"W unit	16"	15"	1 1/4"	YTWSHK218	224.	364.	418.	565.
	24"W unit	22"	15"	1 1/4"	YTWSHK224	232.	381.	438.	591.
	30"W unit	28"	15"	1 1/4"	YTWSHK230	241.	397.	456.	617.
	36"W unit	34"	15"	1 1/4"	YTWSHK236	263.	414.	477.	643.
	42"W unit	40"	15"	1 1/4"	YTWSHK242	295.	433.	497.	671.
	48"W unit	46"	15"	1 1/4"	YTWSHK248	320.	446.	513.	692.
	60"W unit	57"	15"	1 1/4"	YTWSHK260	360.	522.	600.	809.
	72"W unit	69"	15"	1 1/4"	YTWSHK272	400.	535.	616.	830.

Tops

Ordering Information

Antenna Tops for Template

1. Pattern Number
2. Top Finish
3. Edge Finish
(for laminate tops only)

Order Code

Antenna Tops for Template

Example: **YTWSHK136, 118, 118**
YTWSHK Worksurface Shelf
36 Width
118 Bright White Top
118 Bright White Edge

Included With

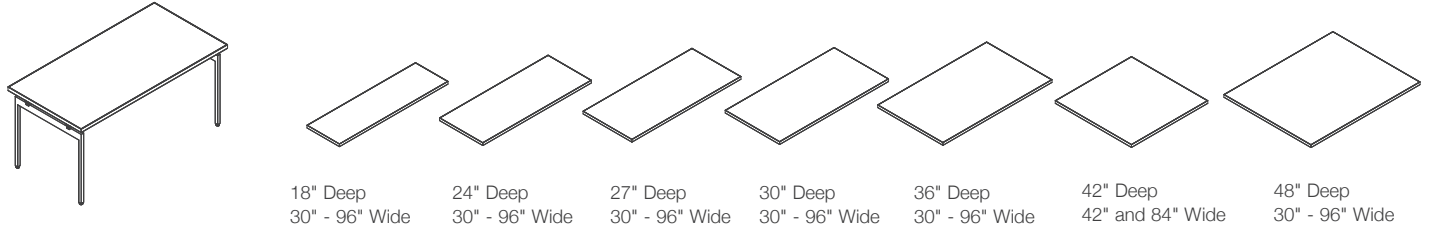
Antenna Tops for Template

Options

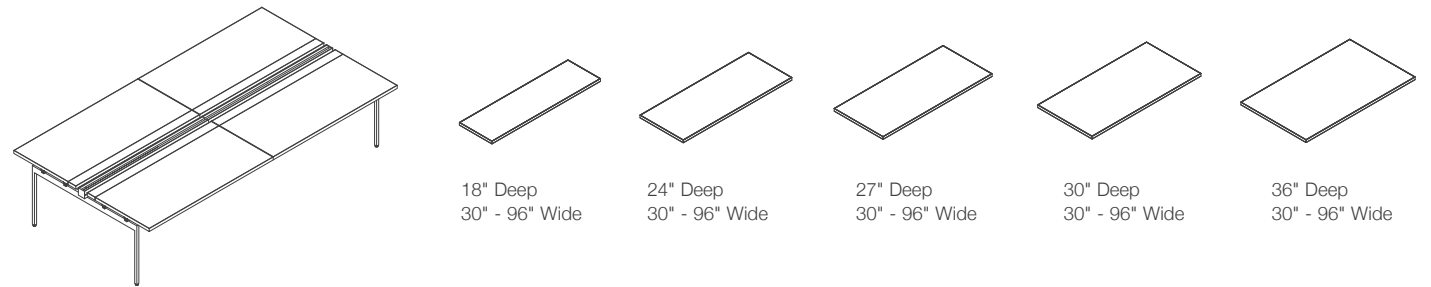
Antenna Tops for Template

Top Finish Options:
 Add an (L) for laminate or (V) for veneer suffix to pattern number.

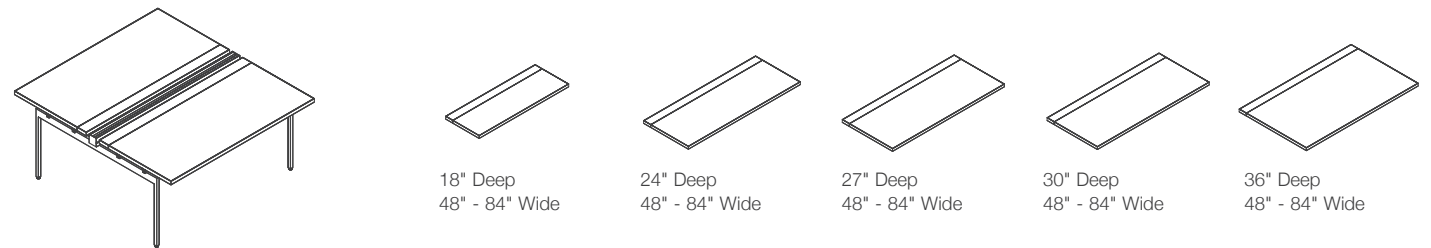
Rectangular Tops for Desks



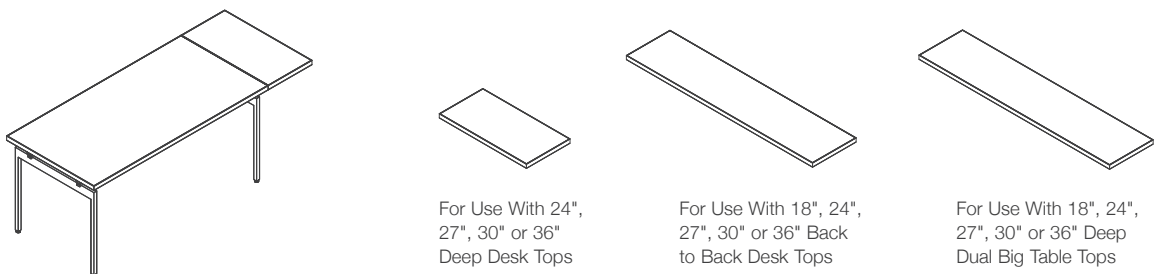
Rectangular Benching Tops for Desks or Big Tables



Rectangular with Hinged Access Tops for Big Tables



Extension Tops for Desks or Big Tables



Overlay tops are designed in rectangular shapes, with specific details optimized for desks, tables, benching or big table applications. The laminate or veneer top surface of overlay tops covers the entire surface, overlapping solid veneer edges with a generous bottom edge radius.

Overlay tops for most desk and table applications are full dimension, 18", 24", 27", 30", 36", 42" and 48" depths, and available in every 6" increment of width from 30"-96". 18" deep tops are for return or bridge applications. Overlay tops can be planned as tables, desks, returns, or bridges.

For benching and desks planned end to end and big table applications, overlay benching tops are available 24", 27" and 30" deep and in widths from 48"-84". Overlay benching tops have rectangular corners optimized for end-to-end planning.

For big table applications, overlay tops with hinged access include a full width 3 3/4" deep hinged section for easy access to outlets and wire management below the center beam. Hinged access overlay tops are available in 24", 27" and 30" overall depths and widths from 48"-84" in 6" increments.

Extension tops plan at the end of a desk, back to back desk or big table. Overlay extension tops are 15" wide and match desks 24", 27", 30" or 36" deep. Extension tops for back to back desks are 15" wide and match tops 18", 24", 27", 30" or 36" deep with overall depths of 39 3/4", 51 3/4", 57 3/4", 63 3/4" or 75 3/4". Overlay extension tops for big tables are 15" or 18" wide and match overall big table depths of 53 1/2", 59 1/2" and 65 1/2". Extension tops can be planned in the same or contrasting surface finish as adjacent laminate or veneer tops. Desk and big table connector kits and rails 12" wider than adjacent top are needed for 15" wide extension top, or 15" wider for 18" wide extension top.

Construction

Overlay tops are nominal 1 3/16" thick with a laminate or veneer surface finish.

Laminate tops have a solid core laminate or veneer top surface, an FSC-certified particle board core and a neutral tone backer sheet for balanced construction. Solid core laminates have integral color throughout the thickness of the laminate. Edges are solid 12.7mm veneer with a 0.6mm top radius and 9mm bottom radius. Outside corners of Overlay tops have an 8mm radius, except for crisp 0.6mm corners on benching tops, big table tops and on the inside corners of extension tops.

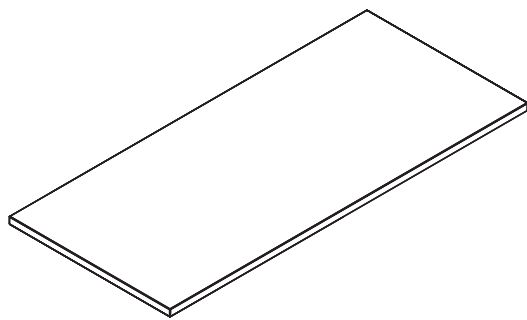
Techwood and natural veneer tops have a veneer top surface, an FSC-certified particle board core and a neutral tone backer sheet for balanced construction. Edges are solid 12.7mm veneer with a 0.6mm top radius and 9mm bottom radius. Bottom radius is only 2.4mm on ends of benching, big table tops, and inside edge of extension tops. Outside corners of Overlay tops have an 8mm radius, except for crisp 0.6mm corners on benching tops, big table tops and inside corners of extension tops.

Veneer grain direction is parallel to front edge on desk tops and parallel to the end on extension tops.

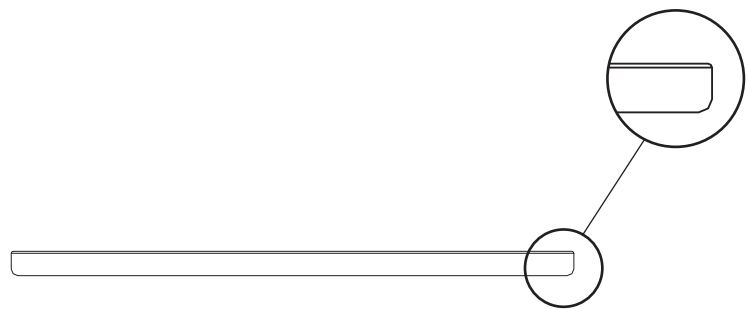
All tops have pilot holes for the most common mounting conditions for desk legs and return connections: legs inset 1 1/2" or 5 1/2" from the both ends of top.

Specifications Options

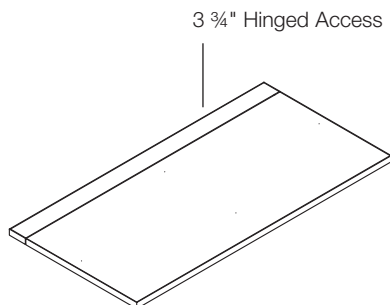
Top surface is available in a limited range of solid core laminates or in any Knoll core veneer. For both solid core laminate and veneer, specify edgeband in any Knoll core veneer.



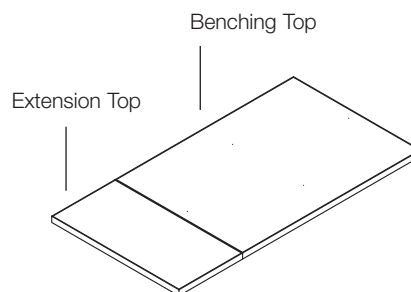
Overlay Top



Overlay Top Edge Elevation





Overlay Hinged Access Top



Overlay Benching Top with Extension Top

Overlay Tops for Desks

18" and 24" Deep Rectangular

description	w	d	h	pattern no.	Color Core Laminate (C)	V1 (V)	V2 (V)	V3 (V)
Overlay Desk Tops, 18" Deep Rectangular 	30"	18"	1 1/4"	YP3018	\$956.	\$936.	\$994.	\$1,049.
	36"	18"	1 1/4"	YP3618	1,001.	953.	1,017.	1,087.
	42"	18"	1 1/4"	YP4218	1,051.	972.	1,043.	1,124.
	48"	18"	1 1/4"	YP4818	1,108.	1,000.	1,080.	1,172.
	54"	18"	1 1/4"	YP5418	1,153.	1,016.	1,104.	1,209.
	60"	18"	1 1/4"	YP6018	1,247.	1,089.	1,182.	1,299.
	66"	18"	1 1/4"	YP6618	1,304.	1,116.	1,217.	1,344.
	72"	18"	1 1/4"	YP7218	1,349.	1,132.	1,241.	1,382.
	78"	18"	1 1/4"	YP7818	1,399.	1,152.	1,266.	1,419.
	84"	18"	1 1/4"	YP8418	1,456.	1,178.	1,301.	1,465.
	90"	18"	1 1/4"	YP9018	1,501.	1,195.	1,326.	1,502.
	96"	18"	1 1/4"	YP9618	1,558.	1,222.	1,359.	1,547.
Overlay Desk Tops, 24" Deep Rectangular 	30"	24"	1 1/4"	YP3024	1,019.	955.	1,021.	1,099.
	36"	24"	1 1/4"	YP3624	1,092.	984.	1,060.	1,154.
	42"	24"	1 1/4"	YP4224	1,153.	1,006.	1,090.	1,202.
	48"	24"	1 1/4"	YP4824	1,212.	1,027.	1,120.	1,246.
	54"	24"	1 1/4"	YP5424	1,279.	1,056.	1,156.	1,300.
	60"	24"	1 1/4"	YP6024	1,385.	1,131.	1,241.	1,403.
	66"	24"	1 1/4"	YP6624	1,451.	1,160.	1,279.	1,456.
	72"	24"	1 1/4"	YP7224	1,517.	1,182.	1,309.	1,504.
	78"	24"	1 1/4"	YP7824	1,583.	1,211.	1,347.	1,558.
	84"	24"	1 1/4"	YP8424	1,644.	1,232.	1,377.	1,605.
	90"	24"	1 1/4"	YP9024	1,741.	1,298.	1,452.	1,695.
	96"	24"	1 1/4"	YP9624	1,800.	1,319.	1,481.	1,743.

Ordering Information

Overlay Desk Tops

1. Pattern Number
2. Top Finish
3. Edge Finish
(for laminate tops only)

Order Code

Overlay Desk Tops

Example: **YP7824, 311, V440**

YT	Table
78	Width
24	Depth
311	Solid Gallery White Top
V440	Natural Hemlock Edge

Included With



Overlay Desk Tops

Options

Overlay Desk Tops

Top Finish Options:
Add a (C) for color core laminate or (V) for veneer suffix to pattern number.

Overlay Tops for Desks 27" and 30" Deep Rectangular

description	w	d	h	pattern no.	Color Core Laminate (C)	V1 (V)	V2 (V)	V3 (V)
Overlay Desk Tops, 27" Deep Rectangular 	30"	27"	1 1/4"	YP3027	\$1,078.	\$987.	\$1,060.	\$1,148.
	36"	27"	1 1/4"	YP3627	1,144.	1,011.	1,091.	1,199.
	42"	27"	1 1/4"	YP4227	1,234.	1,058.	1,149.	1,275.
	48"	27"	1 1/4"	YP4827	1,305.	1,088.	1,188.	1,332.
	54"	27"	1 1/4"	YP5427	1,370.	1,111.	1,220.	1,384.
	60"	27"	1 1/4"	YP6027	1,472.	1,172.	1,291.	1,475.
	66"	27"	1 1/4"	YP6627	1,537.	1,193.	1,322.	1,522.
	72"	27"	1 1/4"	YP7227	1,607.	1,216.	1,353.	1,574.
	78"	27"	1 1/4"	YP7827	1,679.	1,245.	1,393.	1,634.
	84"	27"	1 1/4"	YP8427	1,750.	1,269.	1,426.	1,687.
	90"	27"	1 1/4"	YP9027	1,841.	1,324.	1,490.	1,768.
	90"	27"	1 1/4"	YP9627	1,906.	1,346.	1,522.	1,820.
Overlay Desk Tops, 30" Deep Rectangular 	30"	30"	1 1/4"	YP3030	1,113.	1,001.	1,077.	1,177.
	36"	30"	1 1/4"	YP3630	1,197.	1,037.	1,124.	1,244.
	42"	30"	1 1/4"	YP4230	1,275.	1,068.	1,165.	1,307.
	48"	30"	1 1/4"	YP4830	1,350.	1,091.	1,199.	1,360.
	54"	30"	1 1/4"	YP5430	1,432.	1,124.	1,241.	1,424.
	60"	30"	1 1/4"	YP6030	1,528.	1,178.	1,305.	1,508.
	66"	30"	1 1/4"	YP6630	1,609.	1,210.	1,348.	1,573.
	72"	30"	1 1/4"	YP7230	1,685.	1,234.	1,383.	1,629.
	78"	30"	1 1/4"	YP7830	1,762.	1,265.	1,424.	1,692.
	84"	30"	1 1/4"	YP8430	1,837.	1,290.	1,458.	1,748.
	90"	30"	1 1/4"	YP9030	1,953.	1,363.	1,541.	1,853.
	96"	30"	1 1/4"	YP9630	2,022.	1,386.	1,574.	1,908.

Tops

Ordering Information

- Overlay Desk Tops**
1. Pattern Number
 2. Top Finish
 3. Edge Finish
(for laminate tops only)

Order Code

Overlay Desk Tops

Example: **YP7827, 311, V440**

YT	Table
78	Width
27	Depth
311	Solid Gallery White Top
V440	Natural Hemlock Edge

Included With

Overlay Desk Tops




Options

Overlay Desk Tops

Top Finish Options:
Add a (C) for color core laminate or (V) for veneer suffix to pattern number.

Overlay Tops for Desks

36", 42" and 48" Deep Rectangular

description	w	d	h	pattern no.	Color Core Laminate (C)	V1 (V)	V2 (V)	V3 (V)
Overlay Desk Tops, 36" Deep Rectangular 	30"	36"	1 1/4"	YP3036	\$1,197.	\$1,037.	\$1,124.	\$1,244.
	36"	36"	1 1/4"	YP3636	1,291.	1,071.	1,170.	1,315.
	42"	36"	1 1/4"	YP4236	1,376.	1,096.	1,208.	1,378.
	48"	36"	1 1/4"	YP4836	1,469.	1,132.	1,255.	1,452.
	54"	36"	1 1/4"	YP5436	1,561.	1,167.	1,301.	1,524.
	60"	36"	1 1/4"	YP6036	1,676.	1,224.	1,370.	1,620.
	66"	36"	1 1/4"	YP6636	1,767.	1,260.	1,417.	1,691.
	72"	36"	1 1/4"	YP7236	1,854.	1,284.	1,455.	1,756.
	78"	36"	1 1/4"	YP7836	1,939.	1,311.	1,494.	1,820.
	84"	36"	1 1/4"	YP8436	2,024.	1,339.	1,533.	1,886.
	90"	36"	1 1/4"	YP9036	2,139.	1,402.	1,606.	1,984.
	96"	36"	1 1/4"	YP9636	2,231.	1,428.	1,646.	2,050.
Overlay Desk Tops, 42" Deep Rectangular 	42"	42"	1 1/4"	YP4242	1,486.	1,143.	1,265.	1,466.
	84"	42"	1 1/4"	YP8442	2,231.	1,388.	1,606.	2,021.
Overlay Desk Tops, 48" Deep Rectangular 	30"	48"	1 1/4"	YP3048	1,360.	1,104.	1,211.	1,372.
	36"	48"	1 1/4"	YP3648	1,479.	1,146.	1,267.	1,463.
	42"	48"	1 1/4"	YP4248	1,596.	1,186.	1,322.	1,555.
	48"	48"	1 1/4"	YP4848	1,734.	1,215.	1,367.	1,634.
	54"	48"	1 1/4"	YP5448	1,844.	1,245.	1,413.	1,715.
	60"	48"	1 1/4"	YP6048	1,987.	1,308.	1,491.	1,828.
	66"	48"	1 1/4"	YP6648	2,099.	1,340.	1,537.	1,909.
	72"	48"	1 1/4"	YP7248	2,210.	1,372.	1,584.	1,992.
	78"	48"	1 1/4"	YP7848	2,320.	1,404.	1,631.	2,073.
	84"	48"	1 1/4"	YP8448	2,436.	1,438.	1,679.	2,157.
	90"	48"	1 1/4"	YP9048	2,577.	1,505.	1,762.	2,275.
96"	48"	1 1/4"	YP9648	2,689.	1,538.	1,810.	2,359.	

Ordering Information

Overlay Desk Tops

1. Pattern Number
2. Top Finish
3. Edge Finish
(for laminate tops only)

Order Code

Overlay Desk Tops

Example: **YP7836, 311, V440**

YT	Table
78	Width
36	Depth
311	Solid Gallery White Top
V440	Natural Hemlock Edge

Included With

Overlay Desk Tops

Options




Overlay Desk Tops

Top Finish Options:

Add a (C) for color core laminate or (V) for veneer suffix to pattern number.

Overlay Benching Tops for Desks and Big Tables

18", 24" and 27" Deep Rectangular

description	w	d	h	pattern no.	Color Core Laminate (C)	V1 (V)	V2 (V)	V3 (V)
Overlay Benching Tops, 18" Deep Rectangular 	30"	18"	1 1/4"	YPB3018	\$978.	\$761.	\$875.	\$1,049.
	36"	18"	1 1/4"	YPB3618	1,022.	788.	907.	1,088.
	42"	18"	1 1/4"	YPB4218	1,055.	816.	938.	1,126.
	48"	18"	1 1/4"	YPB4818	1,087.	838.	964.	1,156.
	54"	18"	1 1/4"	YPB5418	1,142.	859.	987.	1,186.
	60"	18"	1 1/4"	YPB6018	1,195.	924.	1,063.	1,276.
	66"	18"	1 1/4"	YPB6618	1,277.	953.	1,095.	1,315.
	72"	18"	1 1/4"	YPB7218	1,359.	975.	1,121.	1,344.
	78"	18"	1 1/4"	YPB7818	1,440.	996.	1,145.	1,373.
	84"	18"	1 1/4"	YPB8418	1,521.	1,024.	1,177.	1,413.
	90"	18"	1 1/4"	YPB9018	1,576.	1,060.	1,218.	1,461.
96"	18"	1 1/4"	YPB9618	1,630.	1,087.	1,250.	1,500.	
Overlay Benching Tops, 24" Deep Rectangular 	30"	24"	1 1/4"	YPB3024	933.	856.	915.	1,036.
	36"	24"	1 1/4"	YPB3624	1,006.	888.	954.	1,090.
	42"	24"	1 1/4"	YPB4224	1,066.	908.	983.	1,139.
	48"	24"	1 1/4"	YPB4824	1,126.	929.	1,013.	1,183.
	54"	24"	1 1/4"	YPB5424	1,193.	957.	1,049.	1,236.
	60"	24"	1 1/4"	YPB6024	1,298.	1,034.	1,134.	1,339.
	66"	24"	1 1/4"	YPB6624	1,365.	1,062.	1,172.	1,392.
	72"	24"	1 1/4"	YPB7224	1,429.	1,084.	1,203.	1,441.
	78"	24"	1 1/4"	YPB7824	1,497.	1,113.	1,240.	1,495.
	84"	24"	1 1/4"	YPB8424	1,558.	1,133.	1,270.	1,541.
	90"	24"	1 1/4"	YPB9024	1,653.	1,200.	1,344.	1,632.
96"	24"	1 1/4"	YPB9624	1,714.	1,220.	1,374.	1,680.	
Overlay Benching Tops, 27" Deep Rectangular 	30"	27"	1 1/4"	YPB3027	986.	887.	948.	1,084.
	36"	27"	1 1/4"	YPB3627	1,072.	934.	1,005.	1,159.
	42"	27"	1 1/4"	YPB4227	1,144.	956.	1,038.	1,211.
	48"	27"	1 1/4"	YPB4827	1,215.	985.	1,077.	1,268.
	54"	27"	1 1/4"	YPB5427	1,279.	1,008.	1,108.	1,320.
	60"	27"	1 1/4"	YPB6027	1,382.	1,070.	1,180.	1,411.
	66"	27"	1 1/4"	YPB6627	1,447.	1,091.	1,210.	1,458.
	72"	27"	1 1/4"	YPB7227	1,517.	1,114.	1,242.	1,512.
	78"	27"	1 1/4"	YPB7827	1,589.	1,145.	1,282.	1,570.
	84"	27"	1 1/4"	YPB8427	1,658.	1,167.	1,315.	1,622.
	90"	27"	1 1/4"	YPB9027	1,751.	1,222.	1,379.	1,704.
96"	27"	1 1/4"	YPB9627	1,816.	1,243.	1,411.	1,755.	

Ordering Information

Overlay Benching Tops

1. Pattern Number
2. Top Finish
3. Edge Finish (for laminate tops only)

Order Code

Overlay Benching Tops

Example: **YPB7824, 311, V440**

YPB	Table
78	Width
24	Depth
311	Solid Gallery White Top
V440	Natural Hemlock Edge

Included With

Overlay Benching Tops

Options



Overlay Benching Tops

Top Finish Options:

Add a (C) for color core laminate or (V) for veneer suffix to pattern number.

Overlay Benching Tops for Desks and Big Tables

30" and 36" Deep Rectangular

description	w	d	h	pattern no.	Color Core Laminate (C)	V1 (V)	V2 (V)	V3 (V)
Overlay Benching Tops, 30" Deep Rectangular 	30"	30"	1 1/4"	YPB3030	\$1,018.	\$895.	\$962.	\$1,112.
	36"	30"	1 1/4"	YPB3630	1,104.	931.	1,007.	1,180.
	42"	30"	1 1/4"	YPB4230	1,181.	963.	1,049.	1,243.
	48"	30"	1 1/4"	YPB4830	1,256.	985.	1,083.	1,297.
	54"	30"	1 1/4"	YPB5430	1,339.	1,018.	1,125.	1,360.
	60"	30"	1 1/4"	YPB6030	1,432.	1,072.	1,189.	1,446.
	66"	30"	1 1/4"	YPB6630	1,516.	1,104.	1,232.	1,508.
	72"	30"	1 1/4"	YPB7230	1,591.	1,128.	1,266.	1,565.
	78"	30"	1 1/4"	YPB7830	1,668.	1,159.	1,307.	1,628.
	84"	30"	1 1/4"	YPB8430	1,743.	1,183.	1,342.	1,683.
	90"	30"	1 1/4"	YPB9030	1,859.	1,258.	1,425.	1,788.
	96"	30"	1 1/4"	YPB9630	1,929.	1,279.	1,458.	1,843.
Overlay Benching Tops, 36" Deep Rectangular 	30"	36"	1 1/4"	YPB3036	1,095.	924.	999.	1,179.
	36"	36"	1 1/4"	YPB3636	1,189.	958.	1,044.	1,251.
	42"	36"	1 1/4"	YPB4236	1,274.	983.	1,082.	1,312.
	48"	36"	1 1/4"	YPB4836	1,366.	1,019.	1,129.	1,387.
	54"	36"	1 1/4"	YPB5436	1,458.	1,055.	1,176.	1,458.
	60"	36"	1 1/4"	YPB6036	1,573.	1,112.	1,244.	1,556.
	66"	36"	1 1/4"	YPB6636	1,666.	1,147.	1,291.	1,627.
	72"	36"	1 1/4"	YPB7236	1,752.	1,173.	1,330.	1,691.
	78"	36"	1 1/4"	YPB7836	1,837.	1,199.	1,368.	1,754.
	84"	36"	1 1/4"	YPB8436	1,922.	1,225.	1,407.	1,821.
	90"	36"	1 1/4"	YPB9036	2,039.	1,289.	1,481.	1,919.
	96"	36"	1 1/4"	YPB9636	2,128.	1,317.	1,520.	1,985.

Ordering Information

Overlay Benching Tops

1. Pattern Number
2. Top Finish
3. Edge Finish
(for laminate tops only)

Order Code

Overlay Benching Tops

Example: **YPB7830, 311, V440**

YPB	Table
78	Width
30	Depth
311	Solid Gallery White Top
V440	Natural Hemlock Edge

Included With

Overlay Benching Tops

Options




Overlay Benching Tops

Top Finish Options:

Add a (C) for color core laminate or (V) for veneer suffix to pattern number.

Overlay Hinged Access Tops for Big Tables

18", 24" and 27" Deep Rectangular

description	w	d	h	pattern no.	Color Core Laminate (C)	V1 (V)	V2 (V)	V3 (V)
Overlay Big Table Tops, 18" Deep Rectangular with Hinged Access 	48"	18"	1 1/4"	YPH4818	\$1,521.	\$1,164.	\$1,290.	\$1,482.
	54"	18"	1 1/4"	YPH5418	1,576.	1,185.	1,313.	1,512.
	60"	18"	1 1/4"	YPH6018	1,630.	1,250.	1,389.	1,602.
	66"	18"	1 1/4"	YPH6618	1,712.	1,279.	1,421.	1,642.
	72"	18"	1 1/4"	YPH7218	1,794.	1,301.	1,447.	1,670.
	78"	18"	1 1/4"	YPH7818	1,874.	1,322.	1,471.	1,699.
	84"	18"	1 1/4"	YPH8418	1,956.	1,350.	1,503.	1,739.
Overlay Big Table Tops, 24" Deep Rectangular with Hinged Access 	48"	24"	1 1/4"	YPH4824	1,577.	1,272.	1,346.	1,562.
	54"	24"	1 1/4"	YPH5424	1,648.	1,299.	1,379.	1,616.
	60"	24"	1 1/4"	YPH6024	1,767.	1,393.	1,481.	1,741.
	66"	24"	1 1/4"	YPH6624	1,832.	1,420.	1,517.	1,800.
	72"	24"	1 1/4"	YPH7224	1,929.	1,475.	1,578.	1,883.
	78"	24"	1 1/4"	YPH7824	2,007.	1,501.	1,611.	1,939.
	84"	24"	1 1/4"	YPH8424	2,067.	1,519.	1,637.	1,987.
Overlay Big Table Tops, 27" Deep Rectangular with Hinged Access 	48"	27"	1 1/4"	YPH4827	1,629.	1,305.	1,385.	1,622.
	54"	27"	1 1/4"	YPH5427	1,711.	1,324.	1,412.	1,674.
	60"	27"	1 1/4"	YPH6027	1,849.	1,429.	1,526.	1,812.
	66"	27"	1 1/4"	YPH6627	1,924.	1,449.	1,555.	1,866.
	72"	27"	1 1/4"	YPH7227	2,021.	1,504.	1,617.	1,953.
	78"	27"	1 1/4"	YPH7827	2,103.	1,533.	1,654.	2,015.
	84"	27"	1 1/4"	YPH8427	2,175.	1,551.	1,681.	2,065.

Tops

Ordering Information

Overlay Big Table Tops

1. Pattern Number
2. Top Finish
3. Edge Finish
(for laminate tops only)
4. Paint Finish

Order Code

Overlay Big Table Tops

Example: **YPH7824, 311, V440, 118T**

YTH	Table
78	Width
24	Depth
311	Solid Gallery White Top
V440	Natural Hemlock Edge
118T	Bright White Paint

Included With

Overlay Big Table Tops

Options

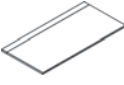

Overlay Big Table Tops

Top Finish Options:

Add a (C) for color core laminate or (V) for veneer suffix to pattern number.

Overlay Hinged Access Tops for Big Tables

30" and 36" Deep Rectangular

description	w	d	h	pattern no.	Color Core Laminate (C)	V1 (V)	V2 (V)	V3 (V)
Overlay Big Table Tops, 30" Deep Rectangular with Hinged Access 	48"	30"	1 1/4"	YPH4830	\$1,723.	\$1,342.	\$1,427.	\$1,687.
	54"	30"	1 1/4"	YPH5430	1,804.	1,371.	1,466.	1,753.
	60"	30"	1 1/4"	YPH6030	1,914.	1,432.	1,537.	1,851.
	66"	30"	1 1/4"	YPH6630	1,994.	1,461.	1,573.	1,920.
	72"	30"	1 1/4"	YPH7230	2,091.	1,519.	1,642.	2,007.
	78"	30"	1 1/4"	YPH7830	2,185.	1,541.	1,673.	2,057.
	84"	30"	1 1/4"	YPH8430	2,254.	1,569.	1,711.	2,131.
Overlay Big Table Tops, 36" Deep Rectangular with Hinged Access 	48"	36"	1 1/4"	YPH4836	1,827.	1,491.	1,614.	1,810.
	54"	36"	1 1/4"	YPH5436	1,919.	1,526.	1,659.	1,883.
	60"	36"	1 1/4"	YPH6036	2,035.	1,584.	1,729.	1,978.
	66"	36"	1 1/4"	YPH6636	2,126.	1,618.	1,776.	2,049.
	72"	36"	1 1/4"	YPH7236	2,213.	1,644.	1,813.	2,115.
	78"	36"	1 1/4"	YPH7836	2,298.	1,670.	1,852.	2,178.
	84"	36"	1 1/4"	YPH8436	2,384.	1,697.	1,891.	2,244.

Ordering Information

Overlay Big Table Tops

1. Pattern Number
2. Top Finish
3. Edge Finish (for laminate tops only)
4. Paint Finish

Order Code

Overlay Big Table Tops

Example: **YPH7830, 311, V440, 118T**

YTH	Table
78	Width
30	Depth
311	Solid Gallery White Top
V440	Natural Hemlock Edge
118T	Bright White Paint

Included With

Overlay Big Table Tops

Options





Overlay Big Table Tops

Top Finish Options:

Add a (C) for color core laminate or (V) for veneer suffix to pattern number.

Overlay Extension Tops for Desks and Big Tables

15" Wide and 18" Wide Rectangular

description	type	w	d	h	pattern no.	Color Core	V1	V2	V3
						Laminate (C)			
Overlay Desk Extension Tops, 15" Wide Rectangular 	For use with 24" deep desk tops	15"	24"	1 1/4"	YPE1524	\$930.	\$762.	\$805.	\$863.
	For use with 27" deep desk tops	15"	27"	1 1/4"	YPE1527	953.	770.	816.	882.
	For use with 30" deep desk tops	15"	30"	1 1/4"	YPE1530	979.	781.	828.	900.
	For use with 36" deep desk tops	15"	36"	1 1/4"	YPE1536	1,030.	795.	848.	936.
Overlay Back to Back Desk Extension Tops, 15" Wide Rectangular 	For use with 18" deep back to back tops	15"	39 3/4"	1 1/4"	YPE1539	1,068.	816.	869.	1,011.
	For use with 24" deep back to back tops	15"	51 3/4"	1 1/4"	YPE1552	1,185.	847.	915.	1,043.
	For use with 27" deep back to back tops	15"	57 3/4"	1 1/4"	YPE1558	1,233.	864.	937.	1,082.
	For use with 30" deep back to back tops	15"	63 3/4"	1 1/4"	YPE1564	1,276.	876.	956.	1,114.
	For use with 36" deep back to back tops	15"	75 3/4"	1 1/4"	YPE1576	1,304.	900.	971.	1,142.
Overlay Dual Sided Big Table Extension Tops, 15" Wide Rectangular 	For use with 18" deep dual big table tops	15"	41 1/2"	1 1/4"	YPE1541	1,068.	816.	869.	1,011.
	For use with 24" deep dual big table tops	15"	53 1/2"	1 1/4"	YPE1553	1,185.	847.	915.	1,043.
	For use with 27" deep dual big table tops	15"	59 1/2"	1 1/4"	YPE1559	1,233.	864.	937.	1,082.
	For use with 30" deep dual big table tops	15"	65 1/2"	1 1/4"	YPE1565	1,276.	876.	956.	1,114.
	For use with 36" deep dual big table tops	15"	77 1/2"	1 1/4"	YPE1577	1,304.	900.	971.	1,142.
Overlay Dual Sided Big Table Extension Tops, 18" Wide Rectangular 	For use with 18" deep dual big table tops	18"	41 1/2"	1 1/4"	YPE1841	1,283.	983.	1,045.	1,216.
	For use with 24" deep dual big table tops	18"	53 1/2"	1 1/4"	YPE1853	1,423.	1,014.	1,097.	1,252.
	For use with 27" deep dual big table tops	18"	59 1/2"	1 1/4"	YPE1859	1,480.	1,035.	1,123.	1,299.
	For use with 30" deep dual big table tops	18"	65 1/2"	1 1/4"	YPE1865	1,532.	1,056.	1,139.	1,335.
	For use with 36" deep dual big table tops	18"	77 1/2"	1 1/4"	YPE1877	1,563.	1,082.	1,164.	1,371.

Tops

Ordering Information

Overlay Extension Tops

1. Pattern Number
2. Top Finish
3. Edge Finish (for laminate tops only)

Order Code

Overlay Extension Tops

Example: **YPE1559, 311, V440**

YP	Table
E	Extension
78	Width
30	Depth
311	Solid Gallery White Top
V440	Natural Hemlock Edge

Included With

Overlay Extension Tops

Options

Overlay Extension Tops

Top Finish Options:

Add a (C) for color core laminate or (V) for veneer suffix to pattern number.

Antenna desks, returns, bridges and tables have a simple structure: tops are supported by a combination of rails and legs. All can be specified as complete kits or by combining a few basic components.

Desks and Tables

Desks are assembled from a top, starter rails and two corresponding depth desk end legs. Starter rails are inset 1 1/2" from each end of the top and end legs are inset 1 1/2" from front and back edges of top. Desk end legs are an inverted U-shape that connects to the underside of the rails at any point within stability guidelines.

Desks can be assembled with tops up to 48" deep, starter rails and desk end legs. Desk end legs are different from table desk end legs, which are used for stand-alone tables.

Unlike desk end legs that attach to the underside of rails, table desk end legs capture the end of the rails. Starter rails without end caps should be specified for stand-alone table desks because the table desk legs cover the ends of the rails, so end caps are not needed. Table desk end legs can only be installed at the end of the worksurface and are taller than the desk end legs, so knees can fit under the end of the table.

Returns are assembled with tops 18"-48" deep, return rails, and an end leg. Return rails are 6" wider than the return top that is connecting to the perpendicular desk rails.

Bridges are assembled from tops and bridge rails. Bridge rails are 9" wider than the bridge top that is connecting to perpendicular desks at both ends. Desks with extension tops or desk extension cabinets require

starter rails that are 12" wider than the adjacent top. Returns with extension tops or cabinets require return rails 12" wider than return top width. The desk end leg is positioned where the top and cabinet meet.

Tops planned end-to-end can share a desk end leg where the tops meet, but require one set of starter rails and one set of extended rails, which are 3" wider than the top.

Back-to-back desk tops can be supported by two sets of starter rails and back-to-back end legs. Designed to create a 3 3/4" space between the back-to-back tops for a desk mounted screen and wire drops on each side, back-to-back end legs are inset 1 1/2" from the front edges of the tops.

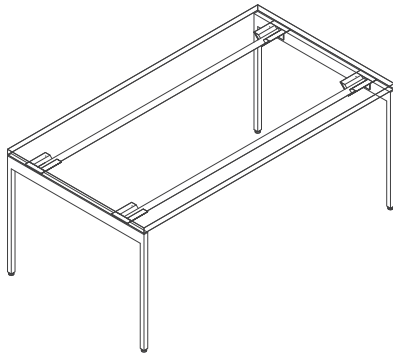


Table Desk End Leg Detail



Table Desk Side Elevation

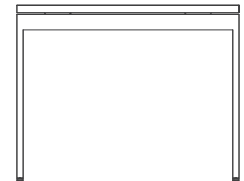
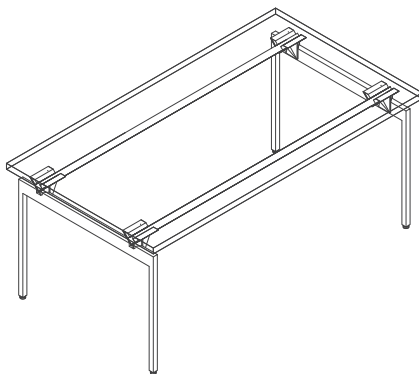


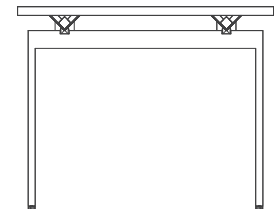
Table Desk End Elevation



Desk End Leg Detail



Desk Side Elevation



Desk End Elevation

Dual sided big tables are comprised of back to back tops with two sets of starter rails equal to the width of the tops and a center beam between, which span across two end legs for dual sided big tables. The center beam and starter rails correspond in width to the tops on either side.

End to end big table tops are supported by two pairs of extended rails, an additional center beam and an additional intermediate leg for each additional pair of tops.

Big tables with extension tops or desk extension cabinets require starter rails or extended rails 12" wider than the adjacent tops. The end leg is positioned where the top and cabinet meet. Center beam matches the top width.

End legs and intermediate legs for dual sided big tables with 24", 27" or 30" deep tops are always

50 1/2" deep. Legs are inset 1 1/2" from front edge of 24"D tops, 4 1/2" from front edge of 27"D tops and 7 1/2" from front of 30"D tops. Dual sided big table end and intermediate legs for 18" deep tops are 38 1/2" deep and inset 1 1/2" from the front edges of 18" deep tops. End legs and intermediate legs for dual sided big tables with 36" deep tops are 62 1/2" deep and inset 7 1/2" from front edges of 36" deep tops. For 36" deep dual sided big tables with tops wider than 54", an additional midspan support for the center beam must be specified separately. End legs can be positioned up to 6" in from ends of a big table and intermediate legs must be mounted directly under the joint of two tops.

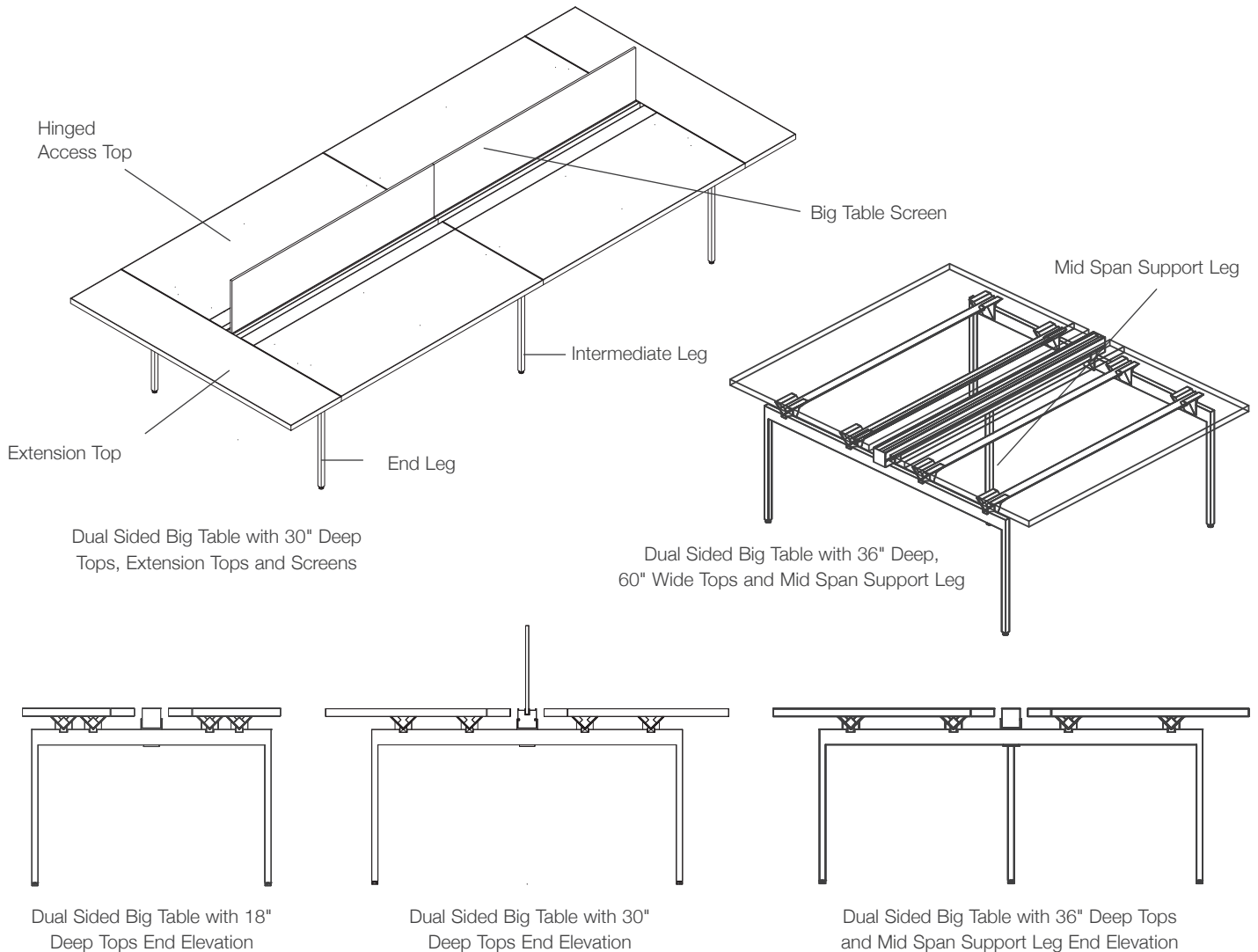
Inset intermediate legs offer more knee space than standard intermediate legs. Inset legs are only 35 1/2" deep, so are recessed 9" from front edge of 24"D tops,

12" from front edge of 27"D tops, and 15" from front of 30"D tops. Inset intermediate legs for 36" deep dual sided big tables are 47 1/2" deep and recessed 15" from front edge of top. There are no inset intermediate legs available for 18" deep big tables.

Returns can be attached anywhere along big tables. Standard desk return rails can be specified with 18" or 24" deep big table tops. Since rails on big table tops deeper than 24" are recessed further from the front edge, return rails are 6" wider than return tops for big tables 27" deep and 9" wider than return tops for big tables 30" or 36" deep.

Antenna tops can serve as economical shared returns up to 48" deep with a single end leg or table desk end leg and one set of return rails.

Desk and Table Support



Antenna Workspaces offers two versions of single sided big tables: basic and full back. Basic big tables can support power distribution, beam-mounted screens, Sapper monitor arms, platforms and cantilever shelves. Basic big tables do not support stanchion mounted open or enclosed cabinets, and are limited to 6" deep cable baskets below the center beam. Full back big tables, with an added 7 1/2" deep top on the back side of the center beam, add the options of full back panels, extension tops or stanchion mounted storage cabinets, and enable 12" deep as well as 6" cable baskets in the same configuration as dual tables.

Basic Single Sided Big Tables

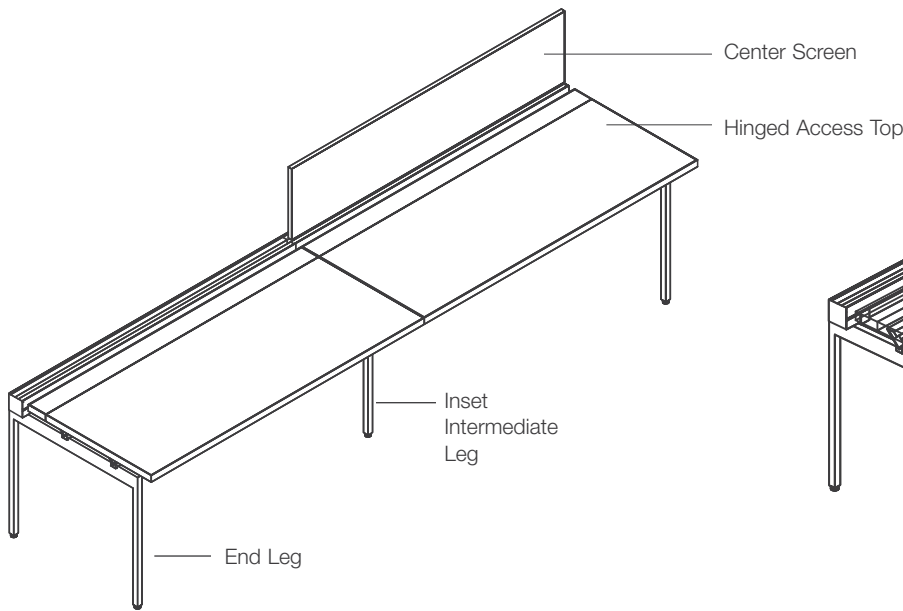
Single sided basic big tables include a top with starter rails and a center beam, which span across two end legs. The center beam and starter rails correspond in width to the desk top width. Adjacent big table tops are supported by a pair of extended rails on an additional intermediate leg, with corresponding width center beam.

Overall depth for basic single sided tables is about 5 1/2" greater than the big table tops. End legs and intermediate legs for basic single sided big tables with 18" deep tops are set back 1 1/2" from the front edge. End legs and intermediate legs for tables with tops that are 24", 27" or 30" deep are set back 1 1/2" from

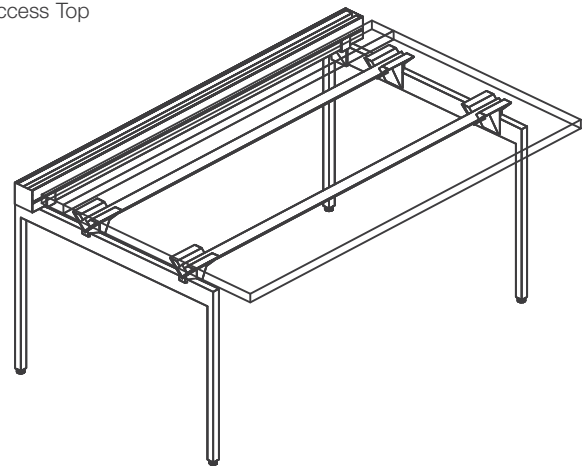
the front edge of 24" deep tops, 4 1/2" from the front of 27" deep tops, and 7 1/2" from the front of 30" deep tops. End legs and intermediate legs for basic big tables with 36" deep tops are set back 7 1/2" from the front edge.

For big tables with tops deeper than 18", inset intermediate legs offer more kneespace than standard intermediate legs: inset intermediate legs are recessed 9" from front edge of 24" deep tops, 12" from front of 27" deep tops and 15" from front of 30" or 36" deep tops.

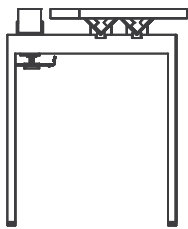
End legs can be positioned from 1 1/2" to 6" in from the end of a big table top. Intermediate legs or inset intermediate legs must be mounted directly under the joint of two tops.



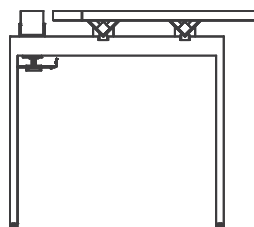
Basic Single Sided Big Table with 27" Deep Tops and Center Screen



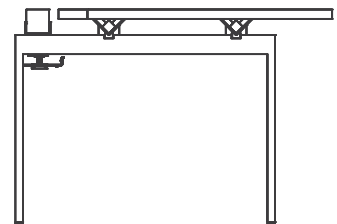
Basic Single Sided Big Table with 36" Deep Top



Basic Single Sided Big Table with 18" Deep Top



Basic Single Sided Big Table with 27" Deep Top



Basic Single Sided Big Table with 36" Deep Top End Elevation

Full Back Single Sided Big Tables

Single sided full back big tables include a top with pair of starter rails, a 7 1/2" deep back top with a single starter rail, and a center beam, which span across two end legs. The back top, center beam and starter rails correspond in width to the desk top width. Adjacent big table tops and back tops are supported by a pair of extended rails and a single extended rail, on an additional intermediate leg, with corresponding width center beam.

Big tables with extension tops require starter rails or extended rails for tops 12" wider than the actual adjacent big table tops. The center beam should remain the same width as the big table tops, and the end leg is positioned where the tops meet the extension.

Overall depth of full back single sided big tables is about 13" more than the big table tops. End legs and intermediate legs for full back, single sided big tables with 18" deep tops are set back 1 1/2" from the front edge. End legs and intermediate legs for tables with tops that are 24", 27" or 30" deep are, set back 1 1/2" from the front edge of 24" deep tops, 4 1/2" from the front of 27" deep tops, and 7 1/2" from the front of 30" deep tops. End legs and intermediate legs for basic big tables with 36" deep tops are set back 7 1/2" from the front edge.

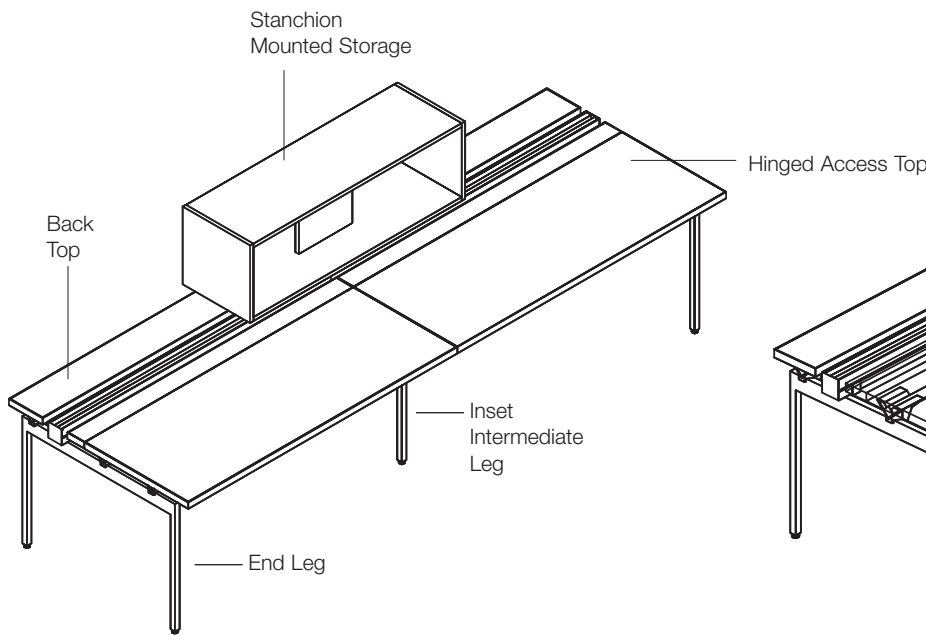
For big tables with tops deeper than 18", inset intermediate legs offer more kneespace than standard intermediate legs: inset intermediate legs are recessed 9" from front edge of 24" deep tops, 12" from front of 27" deep tops and 15" from front of 30" or 36" deep tops.

End legs can be positioned from 1 1/2" to 6" in from the end of a big table top, or centered under the joint of a top and extension top. Intermediate legs or inset intermediate legs must be mounted directly under the joint of two tops.

Returns For Single Sided Big Tables

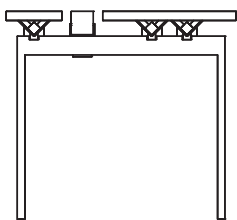
Returns can be attached anywhere along basic or full back single sided big tables. Standard desk return rails can be specified with 18" or 24" deep big table tops. Since rails on deeper big tables are recessed further from the front edge, specify return rails 6" wider than the actual return top width for 27"D big tables, and 9" wider than the actual return width for 30" or 36" deep big tables.

Desk and Table Support

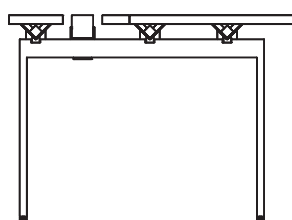


Single Sided Full Back Big Table with 27" Deep Tops and Stanchion Mounted Open Cabinet

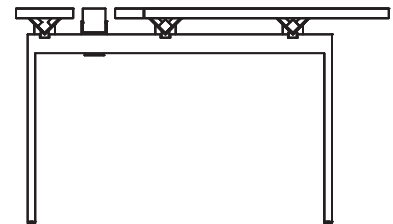
Full Back Single Sided Big Table with 36" Deep Tops



Single Sided Full Back Big Table with 18" Deep Tops End Elevation



Single Sided Full Back Big Table with 27" Deep Tops End Elevation



Single Sided Full Back Big Table with 36" Deep Tops

When specified and installed correctly, Antenna desks are extraordinarily strong and stable and meet or exceed BIFMA stability guidelines.

Rails can support Antenna tops and Overlay tops for up to 84" between supports, so desk tops wider than 84", returns wider than 78" or bridges wider than 72" require intermediate support from a desk end leg, floorstanding pedestal or Template

storage unit. Desk and big table tops are able to span 48"-84" between end legs.

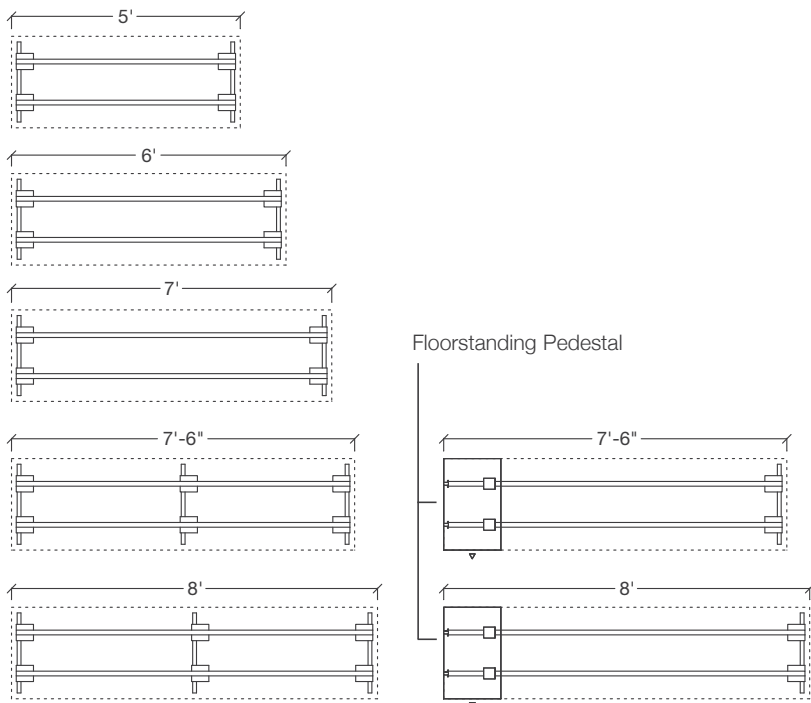
Desk end legs can be inset up to 6" from each end of freestanding desks of any width or up to 15" from ends of tops wider than 78". Rails for tops extending more than 7' 1/2" should be fitted with YBCDE connectors to attach the end of the rail to the top.

Standing height end legs can create standing height tables from 48" to 72"

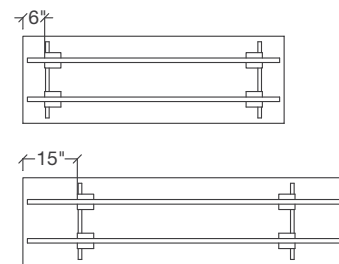
wide. Standing height end legs may not be used with single tops wider than 72".

For stability of desks with suspended storage and legs positioned inside of the cabinet, desk top must be anchored to the cabinet and desk top must be anchored to the other end with a floorstanding pedestal, a Template storage unit, Fence, a return or a bridge top.

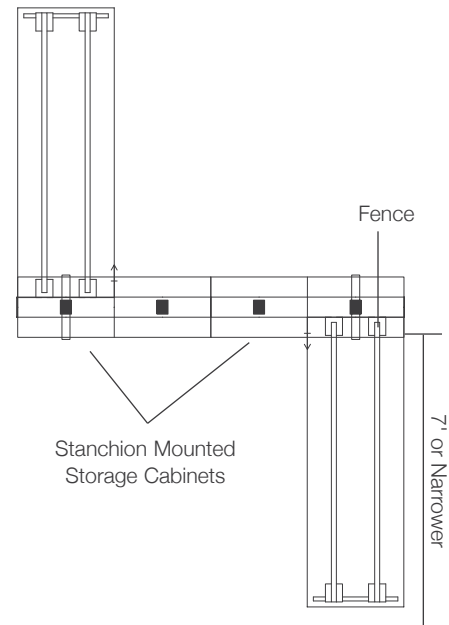
Fence with stanchion mounted storage must be anchored to a desk to provide sufficient stability.



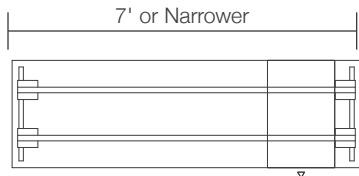
Desk Support Stability Guidelines



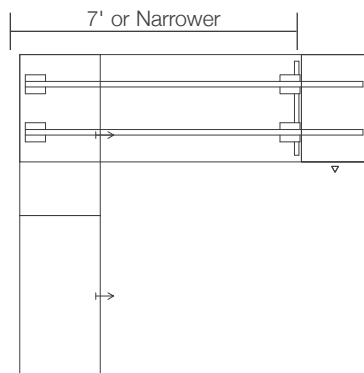
Standard End Leg Positions



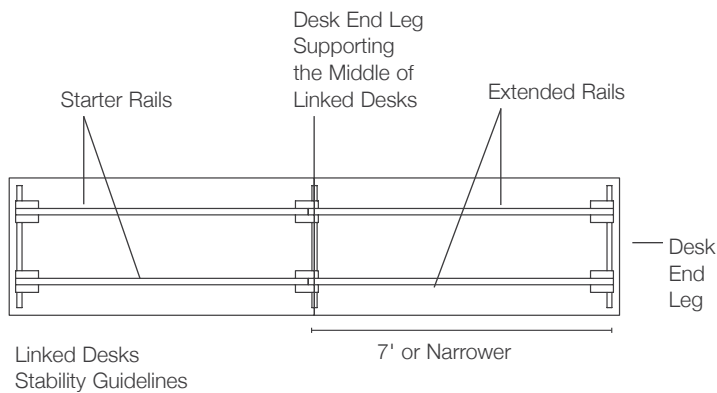
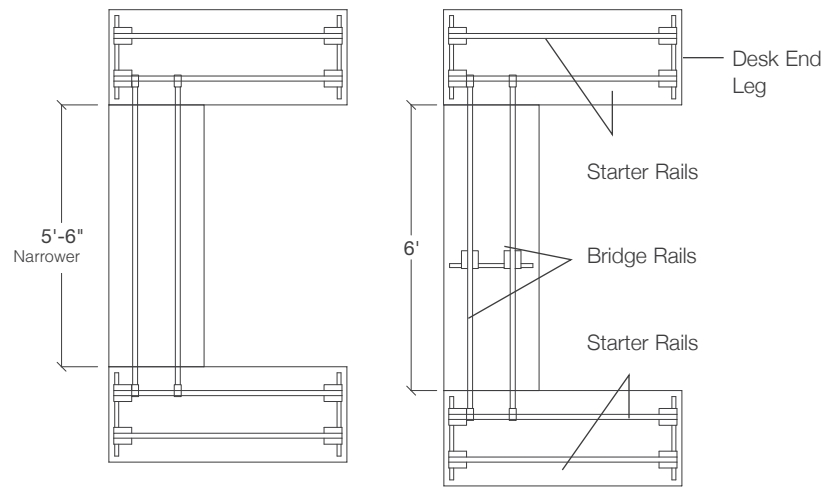
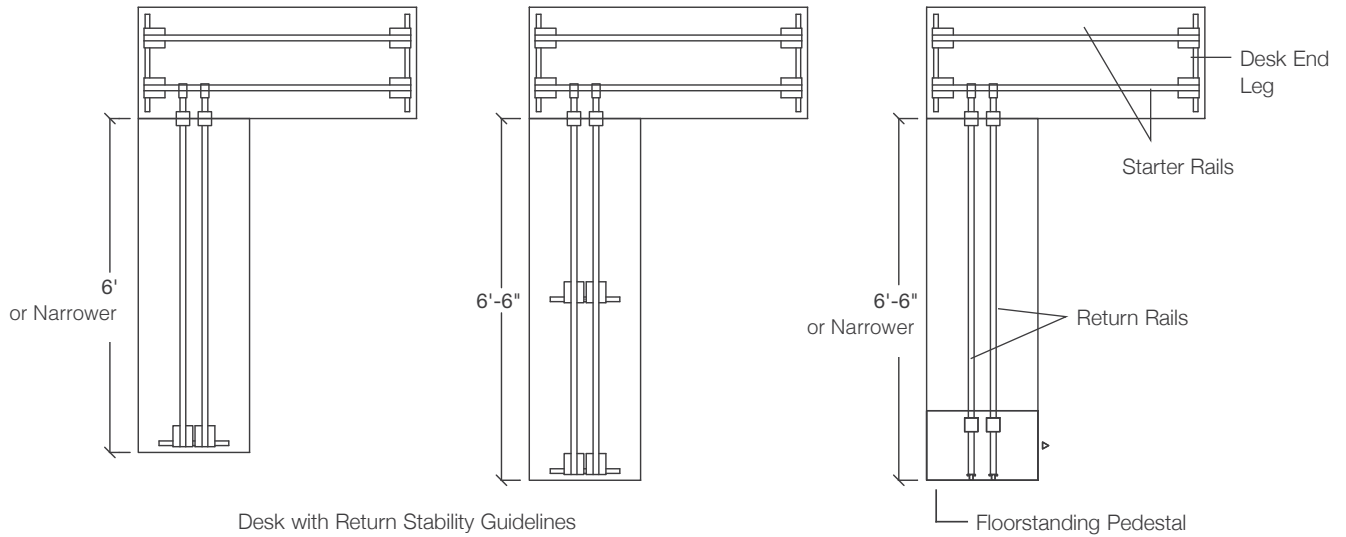
Fence Storage Stability Guidelines

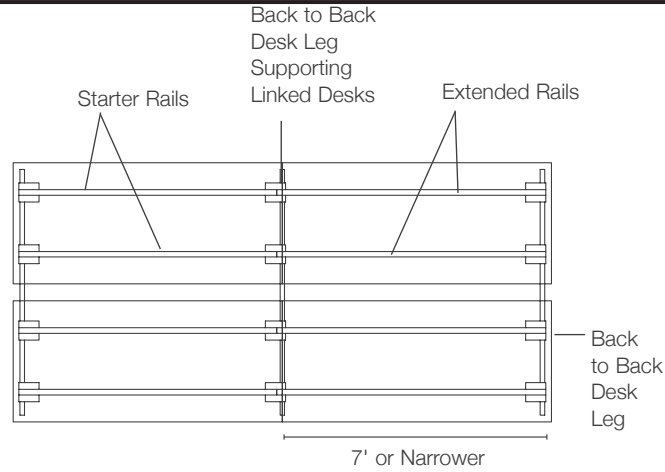


Desk with Suspended Storage Inside of Leg

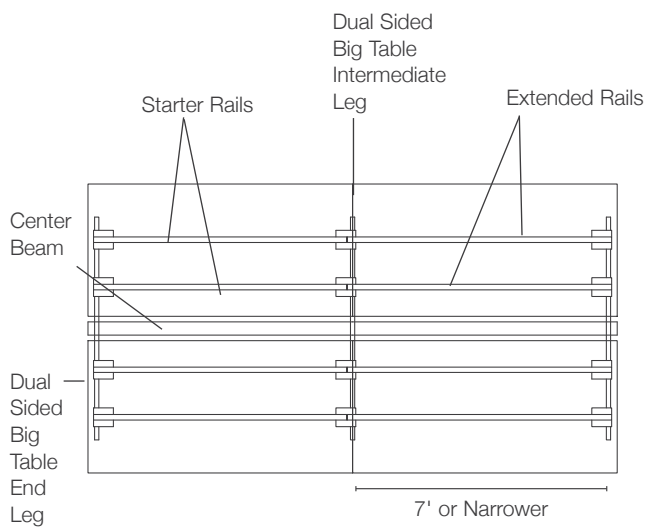


Desk with Suspended Storage Outside of Leg

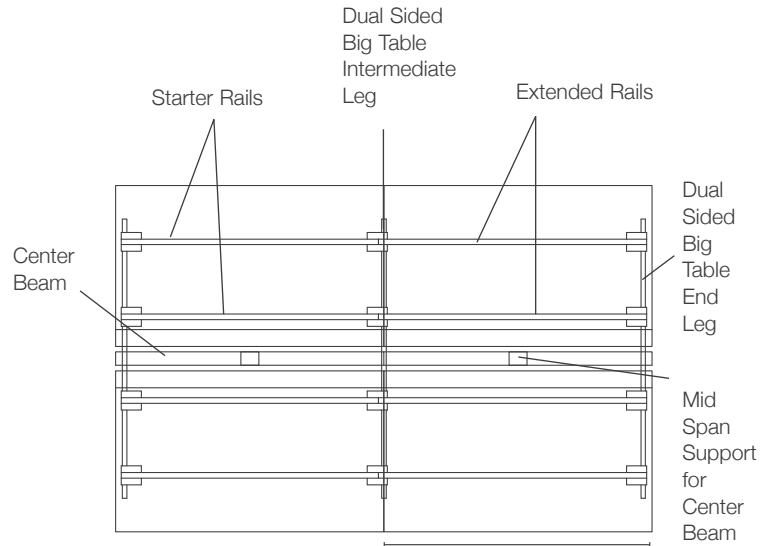




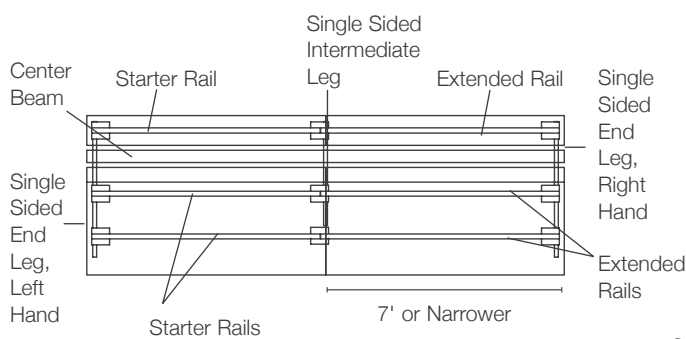
Back to Back Desks Stability Guidelines



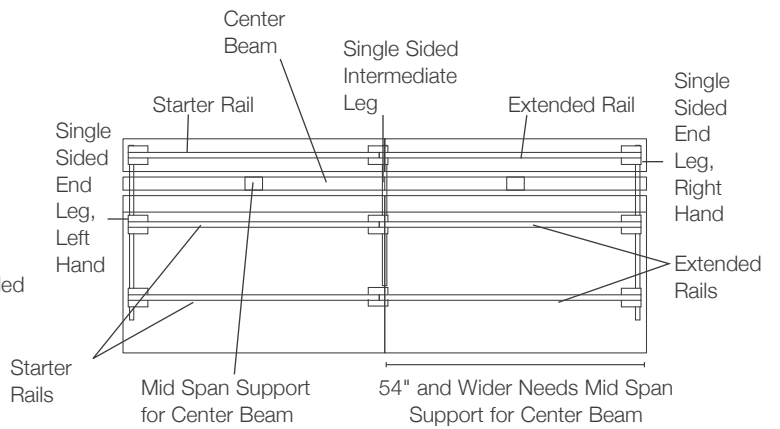
18", 24", 27" or 30" Deep Dual Sided Big Table Stability Guidelines



36" Deep Dual Sided Big Table Stability Guidelines



18", 24", 27" or 30" Deep Single Sided Big Table Stability Guidelines



36" Deep Single Sided Big Table Stability Guidelines

Starter and Extended Rails

Planning Guidelines and Specifications

Rails are a pair of painted steel tubes used to support an Antenna top and connect to the end legs. Rails correspond in width to the top or combination of top and extension top or cabinet. Rails are available in complete sets for specific applications: starter, extended, return and bridge.

Starter rails support an independent desk top, the first top in a linked cluster of desks or the first top in single-sided or dual big table applications. Starter rails include two rails 3" less than the width of a top, four end caps and spacers to support the center of the top above the rails. Starter rails are also available without end caps for use in table desk applications. Table desk end legs cover the ends of the rails,

so end caps are not needed. Starter rails are available in 6" increments from 33" to 93" wide.

Extended rails support a desk top planned end-to-end with another desk top, in both single-sided and dual big table configurations. Intermediate leg should be centered and cradles positioned to join the adjacent rails where the two desk tops meet. Extended rails include two rails the same width as a top, spacers and top to top brackets. Extended rails are available in 6" increments from 36" to 96" wide.

A single sided big table primary top uses the same starter and extended rails as dual sided big table tops. A single starter or extended rail must be specified to support the 7 1/2" deep back-top that is on the opposite side of

the center beam from the primary top. Single rails should be specified the same width as the rail pairs specified for the primary top.

Connector kits for extension tops are required when cantilevering an extension surface to rails beyond a desk end leg. Desk or big tables rails should be specified 12" wider than adjacent surface.

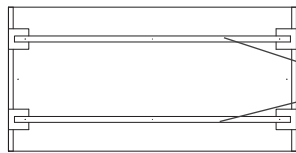
Construction

Rails are 1 1/4" square steel tube. End caps are die cast aluminium. Return adapters are die cast aluminum.

Specifications Options

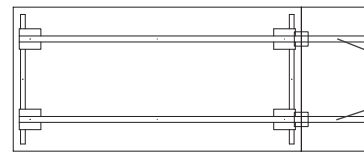
Specify rails and end caps in any Knoll core, Dark Red or Slate Blue paint finish.

Desk and Table Support



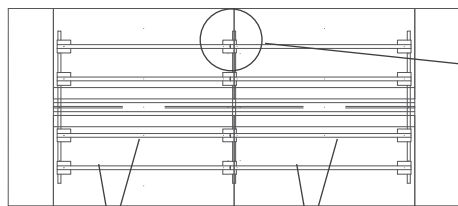
69" Wide Starter Rails

72" Wide Table



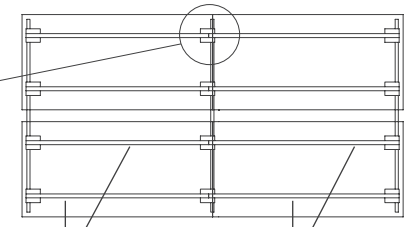
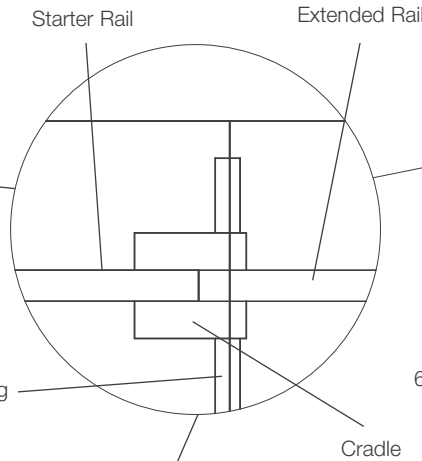
81" Wide Starter Rails

72" Wide Desk with Extension Top



69"W Starter Rails 72"W Extended Rails

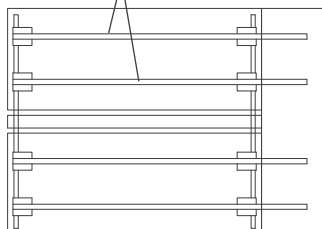
72"W Dual Sided Big Table with Intermediate Leg



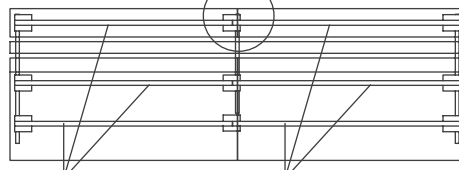
69"W Starter Rails 72"W Extended Rails

72"W Back to Back Desks Linked End-to-End

81"W Starter Rails



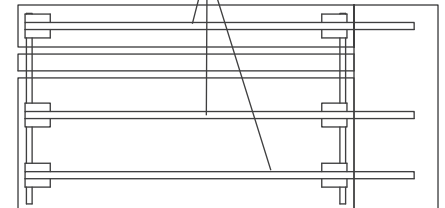
72"W Dual Sided Big Table with Extension Top



69"W Starter Rails 72"W Extended Rails

72"W Single Sided Big Table with Intermediate Leg

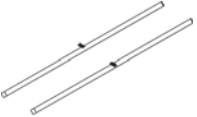
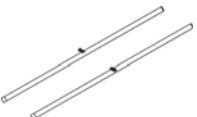
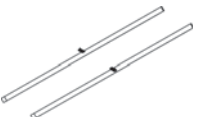

81"W Starter Rails



72"W Single Sided Big Table with Extension Top

Starter and Extended Rails

Rail Pairs For Desks, Tables or Big Tables

description	type	w	d	h	pattern no.	list
Starter Rails with End Caps (pair) 	For 36" Wide Desk	33"	1"	1"	YBRS33	\$104.
	For 42" Wide Desk	39"	1"	1"	YBRS39	123.
	For 48" Wide Desk	45"	1"	1"	YBRS45	135.
	For 54" Wide Desk	51"	1"	1"	YBRS51	173.
	For 60" Wide Desk	57"	1"	1"	YBRS57	176.
	For 66" Wide Desk	63"	1"	1"	YBRS63	180.
	For 72" Wide Desk	69"	1"	1"	YBRS69	185.
	For 78" Wide Desk	75"	1"	1"	YBRS75	188.
	For 84" Wide Desk	81"	1"	1"	YBRS81	292.
	For 90" Wide Desk	87"	1"	1"	YBRS87	297.
	For 96" Wide Desk	93"	1"	1"	YBRS93	299.
Starter Rails without End Caps, For Use with Table Desks (pair) 	For 36" Wide Desk	33"	1"	1"	YBRT33	89.
	For 42" Wide Desk	39"	1"	1"	YBRT39	98.
	For 48" Wide Desk	45"	1"	1"	YBRT45	121.
	For 54" Wide Desk	51"	1"	1"	YBRT51	158.
	For 60" Wide Desk	57"	1"	1"	YBRT57	161.
	For 66" Wide Desk	63"	1"	1"	YBRT63	167.
	For 72" Wide Desk	69"	1"	1"	YBRT69	171.
	For 78" Wide Desk	75"	1"	1"	YBRT75	174.
	For 84" Wide Desk	81"	1"	1"	YBRT81	278.
	For 90" Wide Desk	87"	1"	1"	YBRT87	283.
	For 96" Wide Desk	93"	1"	1"	YBRT93	285.
Starter Rails without End Caps, For Use with Antenna Tops with Two Extension Tops (pair) 	For 102" Wide Table	99"	1"	1"	YBRT99	364.
	For 108" Wide Table	105"	1"	1"	YBRT105	374.
	For 114" Wide Table	111"	1"	1"	YBRT111	382.
Extended Rails (pair) 	For 36" Wide Desk	36"	1"	1"	YBRE36	82.
	For 42" Wide Desk	42"	1"	1"	YBRE42	102.
	For 48" Wide Desk	48"	1"	1"	YBRE48	148.
	For 54" Wide Desk	54"	1"	1"	YBRE54	151.
	For 60" Wide Desk	60"	1"	1"	YBRE60	155.
	For 66" Wide Desk	66"	1"	1"	YBRE66	158.
	For 72" Wide Desk	72"	1"	1"	YBRE72	164.
	For 78" Wide Desk	78"	1"	1"	YBRE78	267.

Ordering Information

- Rails**
1. Pattern Number
 2. Paint Finish

Order Code

Rails

Example: **YBRS63, 118T**

YBR Rails

S Starter

63 Width

118T Bright White Paint

Included With

Starter Rails

Spacers
End Caps (not included with Table Desk rails)

Extended Rails

Spacers
Flat Brackets

Options

Rails

Starter and Extended Rails

Rail Pairs For Desks, Tables or Big Tables



description	type	w	d	h	pattern no.	list
Extended Rails (pair)	For 84" Wide Desk	84"	1"	1"	YBRE84	\$270.
	For 90" Wide Desk	90"	1"	1"	YBRE90	275.
	For 96" Wide Desk	96"	1"	1"	YBRE96	280.



Ordering Information	Order Code	Included With	Options
Rails	Rails	Starter Rails	Rails
1. Pattern Number	<i>Example:</i> YBRS63, 118T	Spacers	
2. Paint Finish	YBR Rails	End Caps (not included with Table Desk rails)	
	S Starter	Extended Rails	
	63 Width	Spacers	
	118T Bright White Paint	Flat Brackets	

Starter and Extended Rails

Rail Singles for Single Sided Big Tables

description	type	w	d	h	pattern no.	list
 Single Starter Rails for Single Sided Big Tables	For 48" Wide Desk	45"	1"	1"	YBRBTS45	\$70.
	For 54" Wide Desk	51"	1"	1"	YBRBTS51	93.
	For 60" Wide Desk	57"	1"	1"	YBRBTS57	95.
	For 66" Wide Desk	63"	1"	1"	YBRBTS63	96.
	For 72" Wide Desk	69"	1"	1"	YBRBTS91	99.
	For 78" Wide Desk	75"	1"	1"	YBRBTS75	101.
	For 84" Wide Desk	81"	1"	1"	YBRBTS81	164.
	For 90" Wide Desk	87"	1"	1"	YBRBTS87	166.
	For 96" Wide Desk	93"	1"	1"	YBRBTS93	167.
 Single Extended Rails for Single Sided Big Tables	For 48" Wide Desk	48"	1"	1"	YBRBTE48	87.
	For 54" Wide Desk	54"	1"	1"	YBRBTE54	88.
	For 60" Wide Desk	60"	1"	1"	YBRBTE60	90.
	For 66" Wide Desk	66"	1"	1"	YBRBTE66	92.
	For 72" Wide Desk	72"	1"	1"	YBRBTE72	94.
	For 78" Wide Desk	78"	1"	1"	YBRBTE78	156.
	For 84" Wide Desk	84"	1"	1"	YBRBTE84	157.
	For 90" Wide Desk	90"	1"	1"	YBRBTE90	159.
	For 96" Wide Desk	96"	1"	1"	YBRBTE96	161.

Ordering Information

- Rails**
 1. Pattern Number
 2. Paint Finish

Order Code

Rails	
<i>Example:</i> YBRBTS57, 118T	
YBR	Rails
BTS	Single Sided Big Table
57	Width
118T	Bright White Paint

Included With

- Starter Rails**
 Spacers
 End Caps
- Extended Rails**
 Spacers
 Flat Brackets

Options

- Rails**

Return and Bridge Rails

Planning Guidelines and Specification

Return rails support a top planned as a return perpendicular to another desk top. Return rail kits also support returns off of a big table with 18", 24", 27", 30" or 36"D tops. For returns connected to 18" or 24" deep big tables, specify return rails 3" wider than the return top. For returns off of 27" deep big tables, specify return rails 6" wider than the return top. For returns off of 30" or 36" deep big tables, specify return rails 9" wider than the return top.

Return rails include two rails 4 1/2" wider than a top, return adapters, one pair of end caps and spacers to support the return top where it meets the desk top.

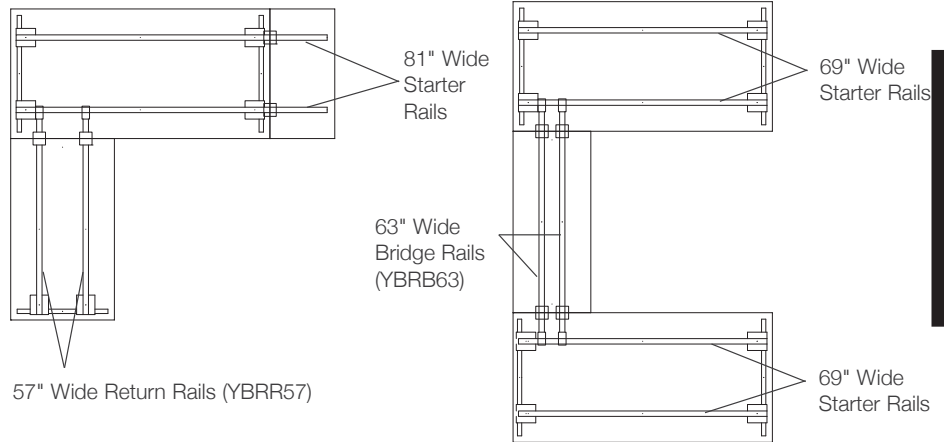
Bridge rails support a desk top planned as a bridge spanning between two desk tops. Bridge rails include two rails 9" wider than a top, two pairs of return adapters and spacers. Bridge rails can also be planned between big tables that have 18" or 24" deep tops. For bridges between big tables 27" deep, specify bridge rails 15" wider than top and for bridges between big tables 30" or 36" deep specify bridge rails 21" wider than top.

Construction

Rails are 1 1/4" square steel tubes. End caps are die cast aluminum. Return adapters are die cast aluminum.

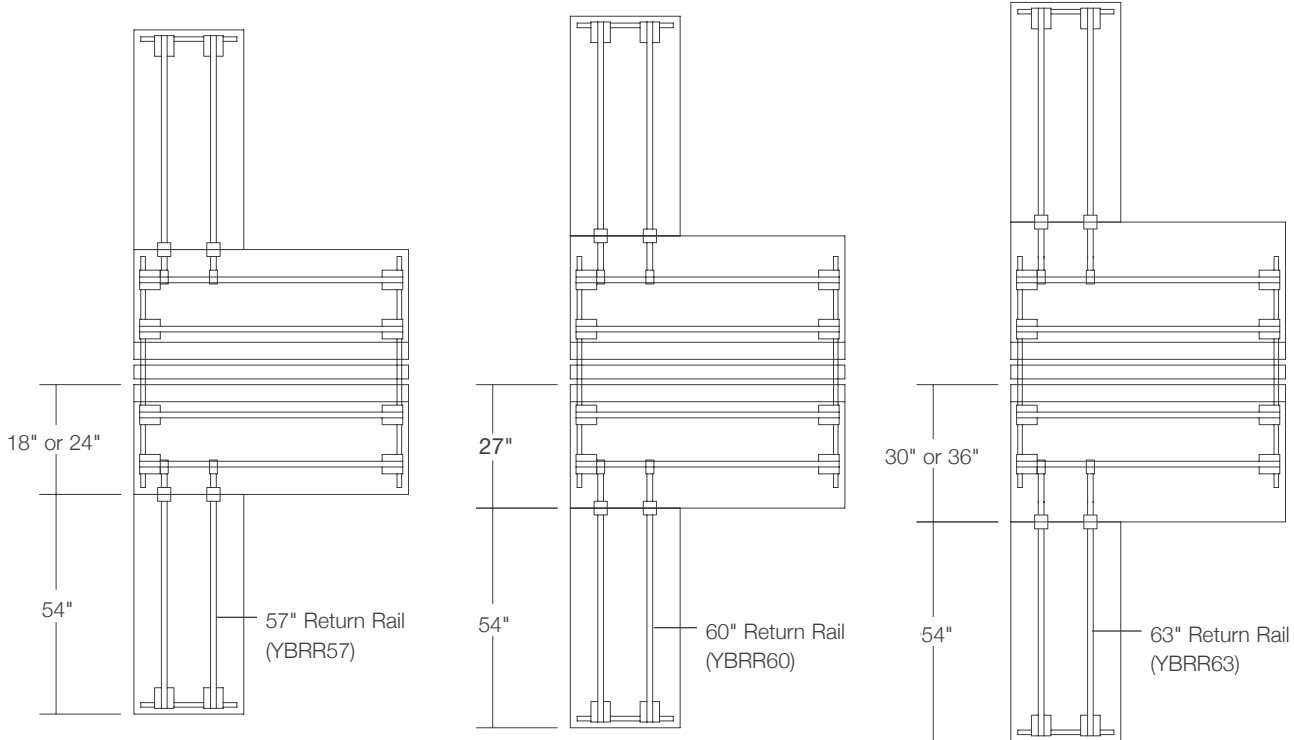
Specification Options

Specify rails and end caps in any Knoll core, Slate Blue or Dark Red paint finish.



72" W, 24"D Desk with Extension Top and 54" Wide Return

72" W, 24"D Desk with 54" Wide Bridge



18" or 24" Deep Big Table with 54" Wide Return




27" Deep Big Table with 54" Wide Return

30" or 36" Deep Big Table with 54" Wide Return

Desk and Table Support

Return and Bridge Rails

Rail Pairs For Desks, Tables or Big Tables

description	type	w	d	h	pattern no.	list
 Return Rails for any Depth Desk or 24" Deep Big Tables (pair)	For 30" Wide Return	33"	1"	1"	YBRR33	\$152.
	For 36" Wide Return	39"	1"	1"	YBRR39	174.
	For 42" Wide Return	45"	1"	1"	YBRR45	177.
	For 48" Wide Return	51"	1"	1"	YBRR51	216.
	For 54" Wide Return	57"	1"	1"	YBRR57	220.
	For 60" Wide Return	63"	1"	1"	YBRR63	225.
	For 66" Wide Return	69"	1"	1"	YBRR69	229.
	For 72" Wide Return	75"	1"	1"	YBRR75	233.
	For 78" Wide Return	81"	1"	1"	YBRR81	337.
	For 84" Wide Return	87"	1"	1"	YBRR87	341.
	For 90" Wide Return	93"	1"	1"	YBRR93	344.
 Return Rails for Big Tables 27" Deep (pair)	For 30" Wide Return	36"	1"	1"	YBRR36	154.
	For 36" Wide Return	42"	1"	1"	YBRR42	175.
	For 42" Wide Return	48"	1"	1"	YBRR48	215.
	For 48" Wide Return	54"	1"	1"	YBRR54	218.
	For 54" Wide Return	60"	1"	1"	YBRR60	223.
	For 60" Wide Return	66"	1"	1"	YBRR66	226.
	For 66" Wide Return	72"	1"	1"	YBRR72	231.
	For 72" Wide Return	78"	1"	1"	YBRR78	334.
	For 78" Wide Return	84"	1"	1"	YBRR84	338.
	For 84" Wide Return	90"	1"	1"	YBRR90	343.
 Return Rails for Big Tables 30" Deep (pair)	For 30" Wide Return	39"	1"	1"	YBRR39	174.
	For 36" Wide Return	45"	1"	1"	YBRR45	177.
	For 42" Wide Return	51"	1"	1"	YBRR51	216.
	For 48" Wide Return	57"	1"	1"	YBRR57	220.
	For 54" Wide Return	63"	1"	1"	YBRR63	225.
	For 60" Wide Return	69"	1"	1"	YBRR69	229.
	For 66" Wide Return	75"	1"	1"	YBRR75	233.
	For 72" Wide Return	81"	1"	1"	YBRR81	337.
	For 78" Wide Return	87"	1"	1"	YBRR87	341.
	For 84" Wide Return	93"	1"	1"	YBRR93	344.

Ordering Information

- Rails**
 1. Pattern Number
 2. Paint Finish

Order Code

Return Rails	
<i>Example:</i> YBRR63, 118T	
YBR	Rails
R	Return
63	Width
118T	Bright White Paint

Included With


- Return Rails**
 Spacers
 Brackets
 End Caps
 Flat Brackets
- Bridge Rails**
 Brackets
 Spacers
 Flat Brackets

Options

- Rails**

Return and Bridge Rails

Rail Pairs For Desks, Tables or Big Tables

description	type	w	d	h	pattern no.	list
 Bridge Rails (pair)	For 30" Wide Bridge	39"	1"	1"	YBRB39	\$217.
	For 36" Wide Bridge	45"	1"	1"	YBRB45	221.
	For 42" Wide Bridge	51"	1"	1"	YBRB51	261.
	For 48" Wide Bridge	57"	1"	1"	YBRB57	264.
	For 54" Wide Bridge	63"	1"	1"	YBRB63	268.
	For 60" Wide Bridge	69"	1"	1"	YBRB69	273.
	For 66" Wide Bridge	75"	1"	1"	YBRB75	276.
	For 72" Wide Bridge	81"	1"	1"	YBRB81	381.
	For 78" Wide Bridge	87"	1"	1"	YBRB87	385.
	For 84" Wide Bridge	93"	1"	1"	YBRB93	387.

Ordering Information	Order Code	Included With	Options
Rails 1. Pattern Number 2. Paint Finish	Return Rails <hr/> <i>Example:</i> YBRR63, 118T <hr/> YBR Rails <hr/> R Return <hr/> 63 Width <hr/> 118T Bright White Paint	Return Rails Spacers Brackets End Caps Flat Brackets Bridge Rails Brackets Spacers Flat Brackets	Rails

Desk Connectors

Planning Guidelines and Specifications

Desk Connector Kits

Desks or big tables with extension tops or extension cabinets require longer rails and additional connector kits to secure and align the extensions with the adjacent tops. Above desk or big table extension cabinet bottoms and below desk or big table extension cabinet tops are detailed as visual extensions of the adjacent desk or big table, and are supported in the same way as extension tops.

For an individual desk with extension top or cabinet, specify starter rails for the next 12" longer desk top. If the leg is positioned at the end of the desk, add connector kit YBCDE.

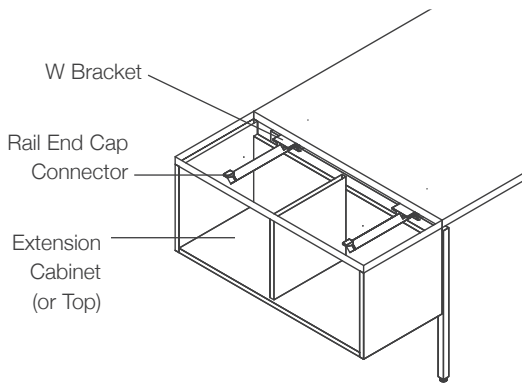
The YBCDE kit includes two W brackets that join the top to the extension over the rails, two rail end caps that connect the ends of the rails to the underside of the extension and two flat brackets that align the front and back of the desktop with the extension.

Alternatively, if the leg is positioned under the extension top or an above desk cabinet specify 12" longer rails and add connector kit YSDXUP. The YSDXUP kit includes only the two W brackets that join the top to the extension over the rails, while the desk leg cradle connects directly to the extension top or cabinet.

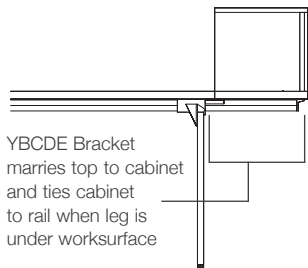
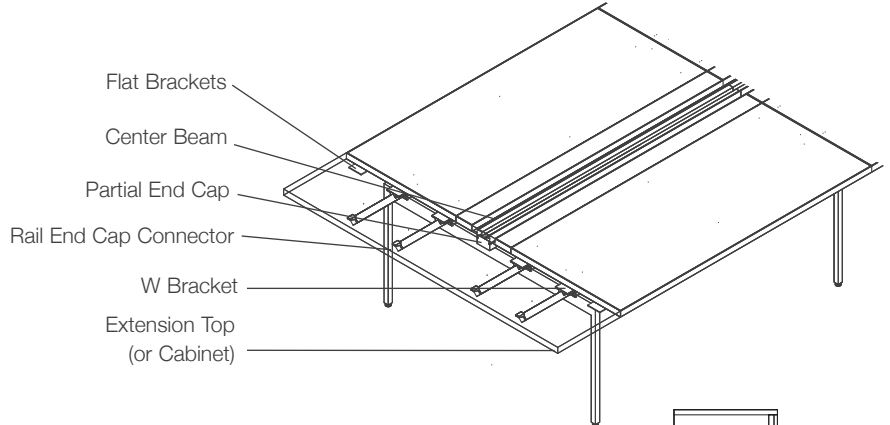
For a big table with extension top or cabinet, specify starter rails on both sides of the big table for the next 12" longer desk top and add connector kit YBTE. The YBTE kit includes four W brackets that join the top to the extension over the rails, four rail end caps that connect the ends of the rails to the underside of the extension and two flat brackets that align the front edges of the big table tops with the extension.

Big table end legs cannot be positioned under the extension top or an above big table extension cabinet because the leg must support the center beam between the big table tops.

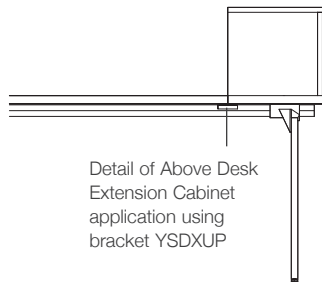
Connector Kit (YBCDE) for Desk Extension Tops or Cabinets



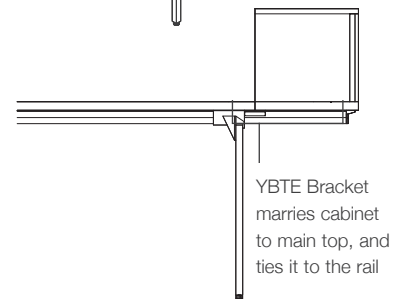
Connector Kit (YBTE) for Big Table Extension Tops or Cabinets



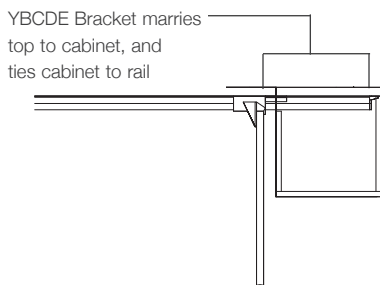
Above Desk Extension Cabinet Elevation, Leg Under Worksurface



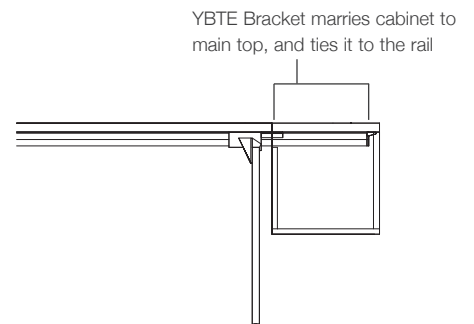
Above Desk Extension Cabinet Elevation, Leg Under Cabinet



Above Desk Extension Cabinet for Big Table Elevation



Below Desk Extension Cabinet Elevation


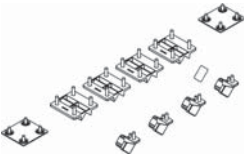


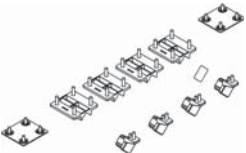


Below Desk Extension Cabinet for Big Table Elevation

*End Leg must stay under the Center Beam and can not be moved out to be placed under the extension top or cabinet

Desk Connectors

Connector Kit for Extension Tops and Cabinets

description	type	pattern no.	list
 <p>Connector Kit for Desk Extension Tops</p>	2 Brackets	YBCDE	\$45.
 <p>Connector Kit for Big Table Extension Tops</p>	4 Brackets	YBTE	101.
 <p>Connector Kit for Above Desk Extension Cabinets</p>	2 Brackets	YSDXUP	28.
 <p>Connector Kit for Above or Below Desk Extension Cabinets</p>	2 Brackets	YBCDE	45.
 <p>Connector Kit for Above and Below Big Table Extension Cabinets</p>	4 Brackets	YBTE	101.

Desk and Table Support

Ordering Information	Order Code	Included With	Options
Desk Connectors 1. Pattern Number 2. Paint Finish	Desk Connectors <i>Example:</i> YBCDE, 118T YBC Connector Kit DE Desk Extension 118T Bright White Paint	Desk Connectors Brackets Hardware	Desk Connectors

Desk Support Adapters

Planning Guidelines and Specifications

Antenna desks can be supported by pedestals, floorstanding wood cabinets, Template storage units and Fence by using desk support adapters. Desk support adapters connect the desk rails to the supporting component.

Pedestal Desk Support

Pedestal support adapter (YBATE25) supports a desk on top of a 25" high pedestal or floorstanding cabinet. Pedestal support adapters mount on the left side of a right-hand position standard width pedestal. Pedestal support adapters mount on the right side of a left-hand position pedestal. Pedestal support adapters also mount on the "inside" edge of a perpendicular 25" high floorstanding wood cabinet.

Double Wide Pedestal Desk Support

For double wide metal pedestals or 25" high floorstanding wood cabinets parallel with a desk or return, specify kit YBAW25, which includes pedestal support adapters, positioning brackets and rail end connectors.

Pedestal Positioning Brackets

Positioning brackets (YSFA) stabilize and maintain position of floorstanding 25" high pedestals under desk or big table rails when the pedestal is not integrated into the desk structure. Positioning brackets enable floorstanding pedestals to mount adjacent to end legs or other floorstanding pedestals that are connected to the desk with YBATE25 brackets. They are also applicable under bridge tops or tops supported by Fence or Template storage. Positioning brackets fasten with

screws into the holes in the top of the pedestal corresponding to desk support rails, or they may be adhered in position under the rails of a big table (adhesive not included in kit).

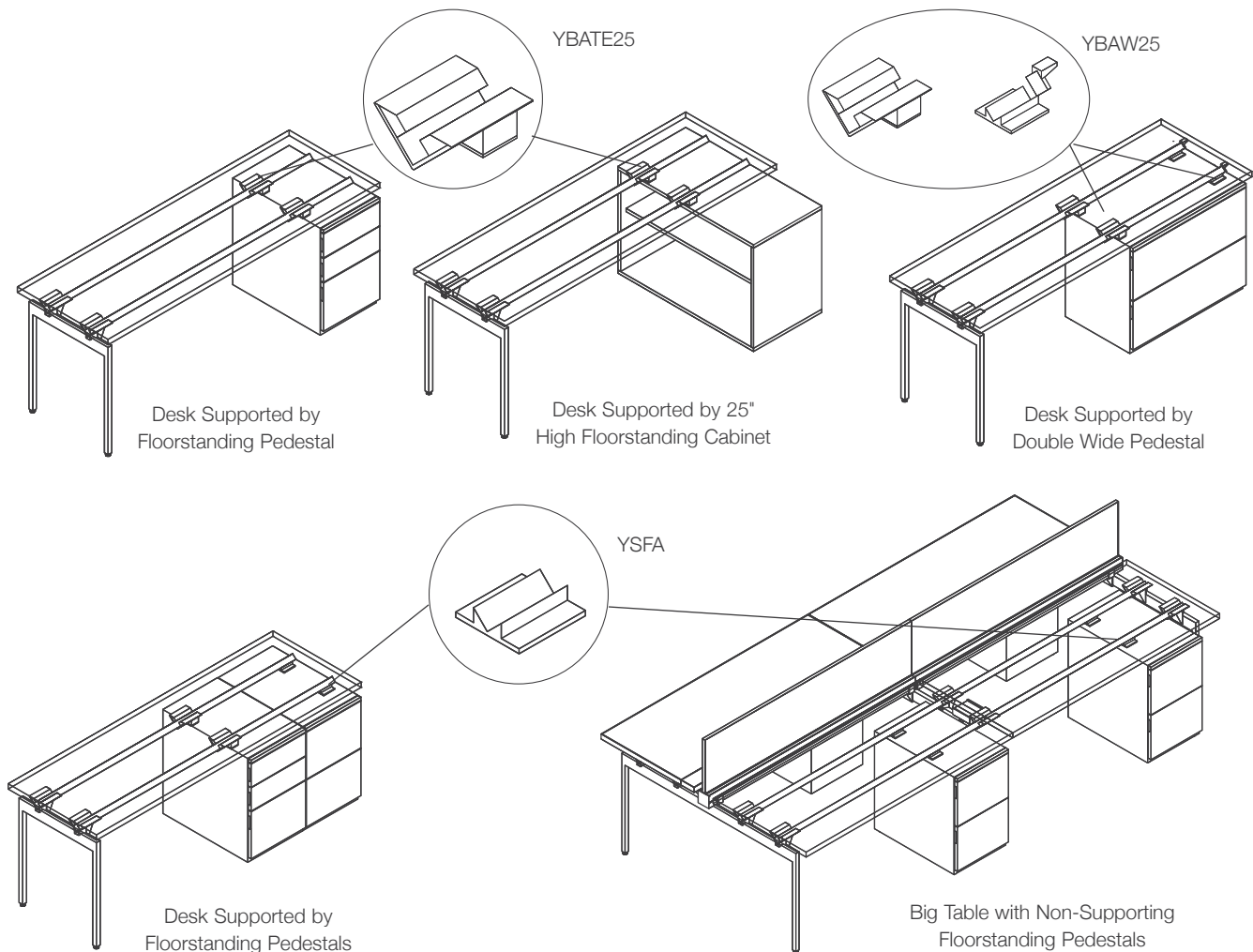
Ballast kits are still recommended for most floorstanding pedestal and double wide pedestal applications, but positioning brackets may make ballast unnecessary for pedestals in multiple-position big tables.

Construction

Desk support adapters consist of painted, die cast aluminum cradles and brackets.

Specification Options

Specify desk support adapters in any Knoll Core paint finish.



Desk Support Adapters

Planning Guidelines and Specifications

Fence Desk Support

Fence desk support adapters are available for both 25" high (YBAFE25) and 28" high (YBAFE28) Fence applications when Antenna tops are mounted perpendicular to the fence wall.

Template Desk Support

Template desk support adapters connect the end of Antenna desk rails to Template tops or worksurface shelves.

When supported by a 22" high Template cabinet or floorstanding wood cabinet, YBATE22 connects the front edge of the top to standard starter rails that are 3" less wide than the top.

When supported by a 25" high Template cabinet or floorstanding wood cabinet, YBATE25 connects the front edge of the top to standard starter rails 3" less wide than the top.

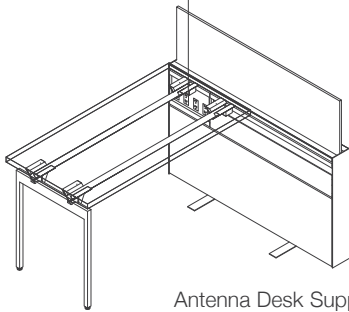
When supported by an adjacent 28" high Template cabinet, floorstanding open wood cabinet or the worksurface shelf of taller Template units, YBATE28 connects the underside of the top or shelf to starter rails 9" longer than the desktop (starter rails for a 12" longer desk).

Construction

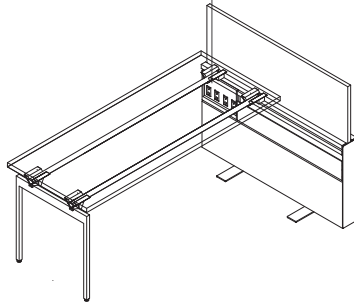
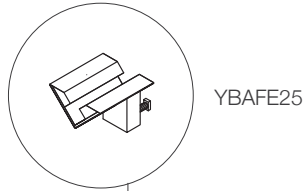
Desk support adapters consist of painted die cast aluminum cradles and brackets.

Specification Options

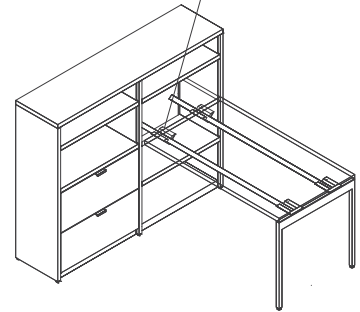
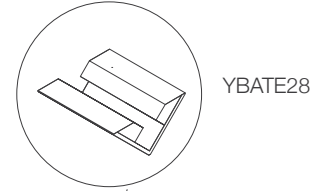
Specify desk support adapters in any Knoll Core paint finish.



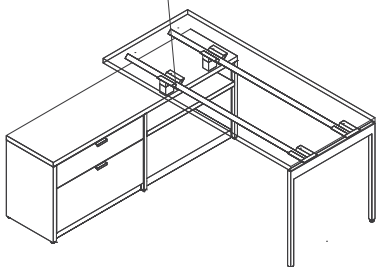
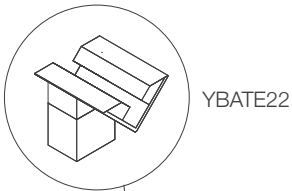
Antenna Desk Supported by 28 1/2" High Fence



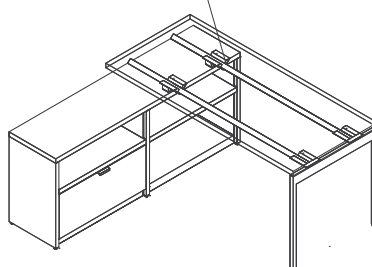
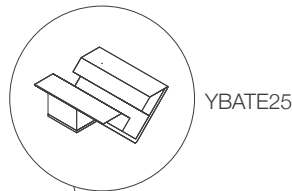
Antenna Desk Supported by 25" High Fence



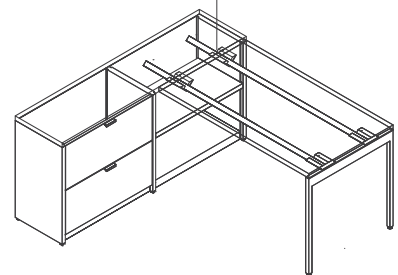
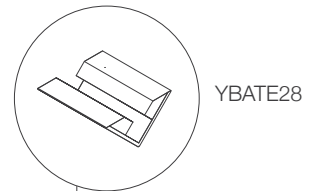
Desk Supported by 28 1/2" High Template Worksurface Shelf



Antenna Desk Supported by a 22" High Template Unit



Antenna Desk Supported by a 25" High Template Unit



Antenna Desk Supported by a 28 1/2" High Template Unit

Desk Support Adapters

Planning Guidelines and Specifications

Template Big Table Support

Template desk support adapters for big table enable 22" or 25" high Template storage cabinets to support the end of a big table in place of an end leg. Template assembly must be at least 48" wide, centered under the end of the big table and equipped with laminate or veneer top. Template desk support adapters are not applicable in the center of a big table to take the place of an intermediate leg.

Template desks support adapters for big table and 22" high Template include a steel tube, which matches the top cross member of an end leg, with standard cradles supporting the rails and brackets supporting the center beam. Steel tube is secured to the top of Template storage with steel plates and wood screws.

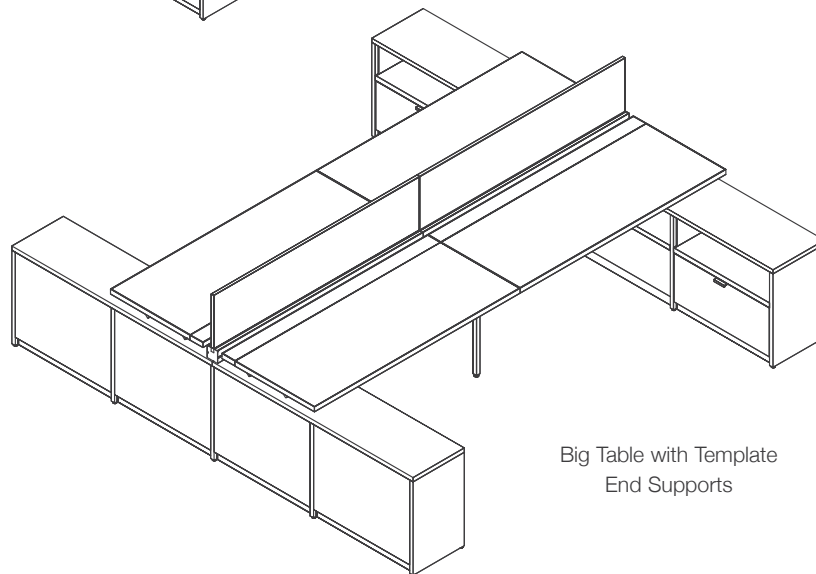
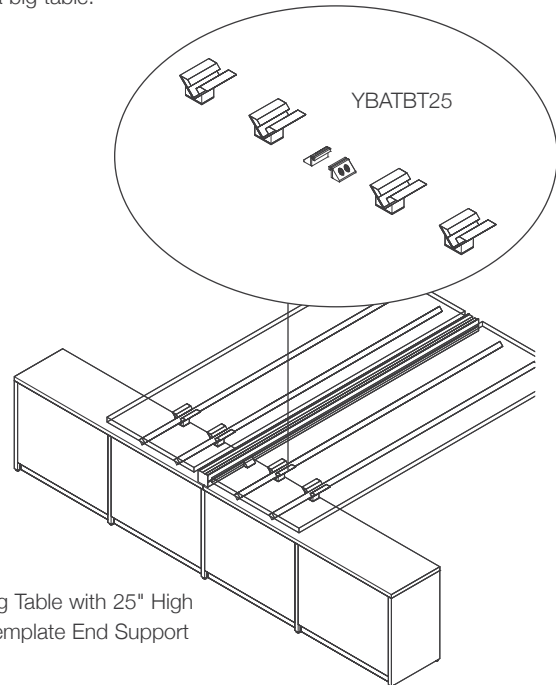
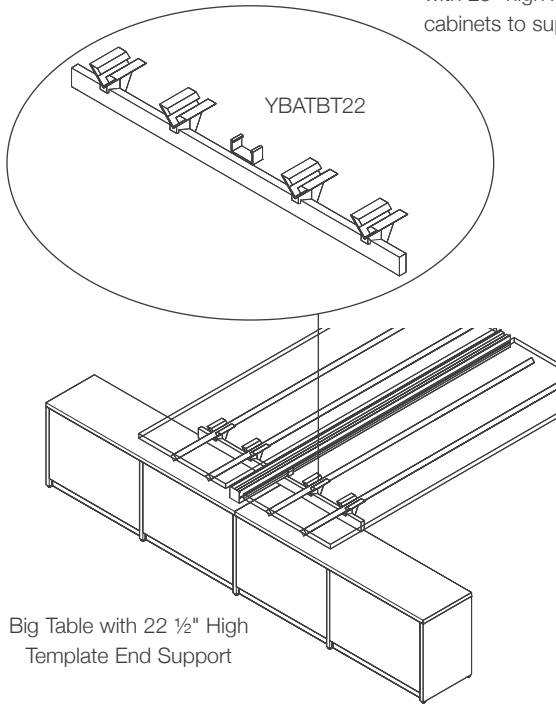
Template desk support adapters for big table and 25" high Template include a cast aluminum bracket on either side of the center beam and standard YBATE25 cradles securing the rails to the Template top. Desk support adapters may also be used with 25" high Antenna floorstanding wood cabinets to support the end of a big table.

Construction

Desk support adapters consist of painted die cast aluminum cradles and brackets and steel cross member.

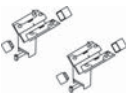





Specification Options

Specify desk support adapters in any Knoll Core paint finish.



Desk Support Adapters

For Fence, Template, Floorstanding Cabinets and Pedestals

description	type	w	d	h	pattern no.	list
	For use with 25" High Fence	4"	3"	1 3/4"	YBAFE25	\$112.
	For use with 28 1/2" High Fence	4"	3"	3"	YBAFE28	112.
<i>(YBAFE25 shown)</i>						
	For use with 28 1/2" High Case or Worksurface Shelf	4"	3"	1 3/4"	YBATE28	107.
	For use with 25" High Case	4"	3"	3"	YBATE25	95.
	For use with 22 1/2" High Case (credenza height)	4"	3"	5 1/2"	YBATE22	117.
<i>(YBATE25 shown)</i>						
	For use with 22 1/2" High Case (credenza height)				YBATBT22	560.
	For use with 25" High Case				YBATBT25	217.
<i>(YBATBT25 shown)</i>						
	For use with Floorstanding 25" High Pedestal	4"	3"	3"	YBATE25	95.
<i>(YBATE25 shown)</i>						
	For use with Double Wide Pedestal	4"	3"	3"	YBAW25	123.
	Includes 2 brackets and hardware				YSFA	16.

Desk and Table Support

Ordering Information

Desk Support Adaptors

1. Pattern Number
2. Paint Finish

Order Code

Desk Support Adaptors

Example: **YBAFE25, 118T**

YBA Adapter

FE Fence

25 Height

118T Bright White Paint

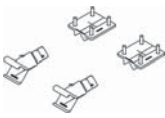



Included With

Desk Support Adaptors
Hardware

Options

Desk Support Adaptors

Connectors, End Caps, Worksurface Spacers and Flat Brackets

description	type	w	d	h	pattern no.	list
 Return or Bridge Rail Connector Kit (pair)	For Return or Bridge Connection	2"	1 1/4"	1 1/4"	YBCRR	\$62.
 Rail End Caps (Set of 4)	For End of Rails	1"	1/2"	1"	YBRE	28.
 Rail to Worksurface Spacers	Package of 10	1 3/4"	1/2"	1/4"	YBCWS	17.
 Flat Brackets Kit (pair)	For use with Adjacent Desks linking End-to-End or Back-to-Back	3"	2 3/4"	1/4"	YBF	13.

Ordering Information	Order Code	Included With	Options
Components for Reconfiguration 1. Pattern Number 2. Paint Finish	Components for Reconfiguration <i>Example:</i> YBCRR, 118T <hr/> YBC Connector <hr/> RR Rail to Return Rails <hr/> 118T Bright White Paint	Components for Reconfiguration Hardware	Components for Reconfiguration

Center Beam for Big Tables

Planning Guidelines and Specifications

Center beam for big table is an extruded aluminum beam shared between facing tops of a dual big table.

Center beam incorporates a continuous channel on the top for friction fit privacy screens or stanchion mounted storage, a channel on each side for cantilever shelves or monitor arms, and a channel on the bottom for suspended power and data components. Center beams are supported by end legs or intermediate legs, which also define a 1 1/4" accessory mount and wire drop space on either side of the beam.

Center beams are available in 6" increments from 48"-84" wide and correspond to big table top widths.

Center beams drilled for T-light cable have a hole drilled 12" from one end to allow the power cable to pass through the beam to the underside of the table.

Center beam top caps fill the top channel slot of a center beam when no screens are planned. When upmounted storage, screens or KnollExtra T-lights are mounted to the center beam, top caps can be trimmed in the field to fit around brackets. A full end cap is used to cover the exposed end of the center beam. A partial end cap is used to cover the lower end of the center beam when an extension top or cabinet is specified at the end of a big table. Center beam top caps and end caps are specified separately.

Dual and single sided big tables with 36" deep tops that are 54" or wider need a mid span support leg to provide center beam support.

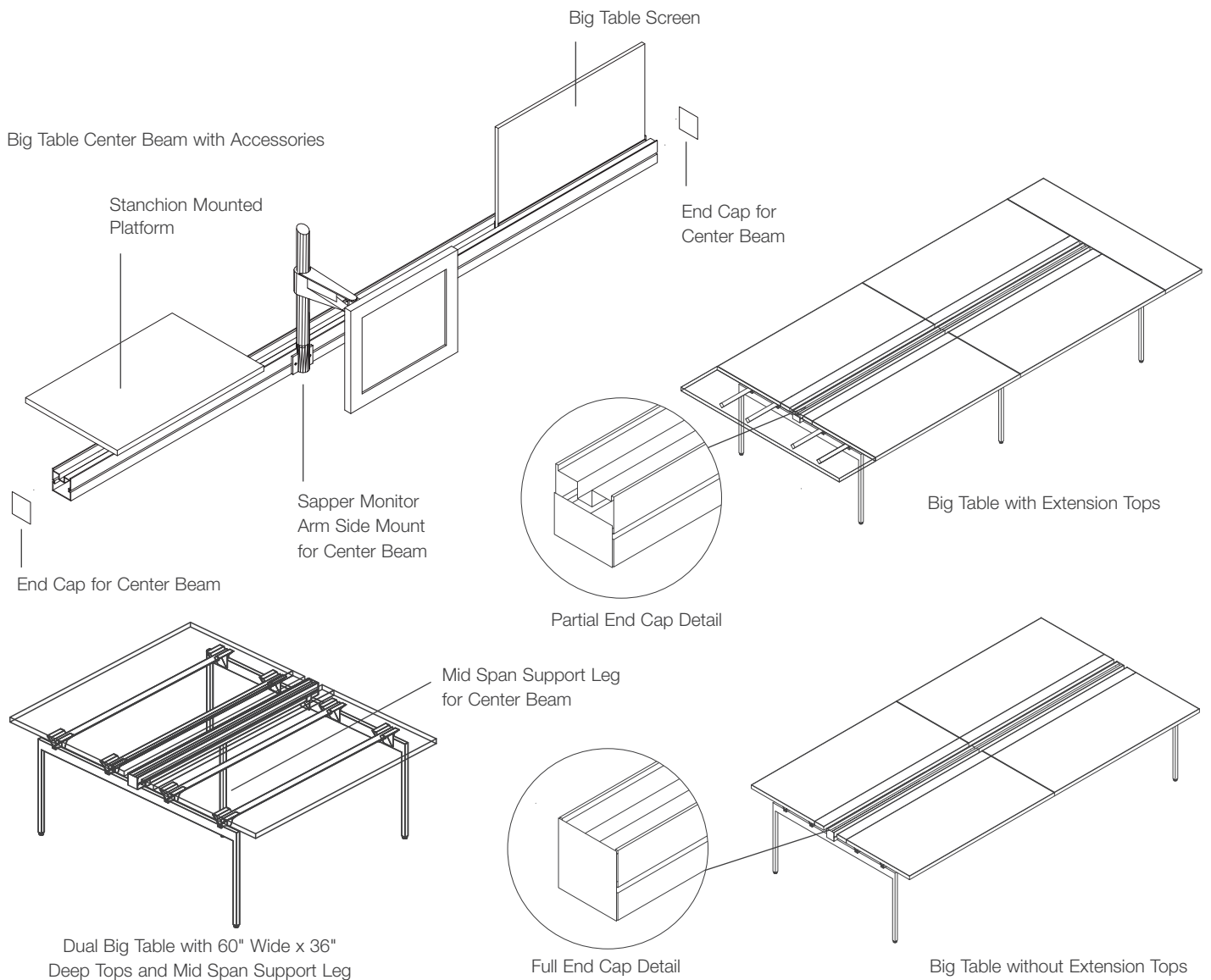
Mounting brackets and stanchions for storage, cantilever shelves and flat screen monitor arms must be specified separately.

Construction

Center beam is an aluminum extrusion 3 1/4" high and 3" deep. Top caps are extruded plastic. End caps are cast aluminum.





Specifications Options

Center beams, end caps and top covers are available in any Knoll core, Dark Red or Slate Blue paint finish and must be specified separately.



Center Beam for Big Tables

Center Beam, End Caps and Top Caps

description	type	w	d	h	pattern no.	list
Center Beam (no drilling for T-light cable) 	For 48" Wide Big Table Top	48"	3"	3 1/4"	YCB48	\$246.
	For 54" Wide Big Table Top	54"	3"	3 1/4"	YCB54	364.
	For 60" Wide Big Table Top	60"	3"	3 1/4"	YCB60	364.
	For 66" Wide Big Table Top	66"	3"	3 1/4"	YCB66	364.
	For 72" Wide Big Table Top	72"	3"	3 1/4"	YCB72	364.
	For 78" Wide Big Table Top	78"	3"	3 1/4"	YCB78	716.
	For 84" Wide Big Table Top	84"	3"	3 1/4"	YCB84	716.
Center Beam (Drilled for T-light cable) 	For 48" Wide Big Table Top	48"	3"	3 1/4"	YCBT48	276.
	For 54" Wide Big Table Top	54"	3"	3 1/4"	YCBT54	394.
	For 60" Wide Big Table Top	60"	3"	3 1/4"	YCBT60	394.
	For 66" Wide Big Table Top	66"	3"	3 1/4"	YCBT66	394.
	For 72" Wide Big Table Top	72"	3"	3 1/4"	YCBT72	394.
	For 78" Wide Big Table Top	78"	3"	3 1/4"	YCBT78	746.
	For 84" Wide Big Table Top	84"	3"	3 1/4"	YCBT84	746.
Center Beam Top Caps 	For 48" Wide Center Beam	48"	3"	3 1/4"	YCBCC48	50.
	For 54" Wide Center Beam	54"	3"	3 1/4"	YCBCC54	57.
	For 60" Wide Center Beam	60"	3"	3 1/4"	YCBCC60	62.
	For 66" Wide Center Beam	66"	3"	3 1/4"	YCBCC66	67.
	For 72" Wide Center Beam	72"	3"	3 1/4"	YCBCC72	72.
	For 78" Wide Center Beam	78"	3"	3 1/4"	YCBCC78	79.
	For 84" Wide Center Beam	84"	3"	3 1/4"	YCBCC84	84.
Center Beam End Caps (Full Height Shown) 	Full Height	3"	3/8"	3 1/4"	YCBE	13.
	Partial Height For Use With Extension Top or Cabinets	3"	3/8"	2"	YCBPE	13.

Ordering Information	Order Code	Included With	Options
Center Beam 1. Pattern Number 2. Paint Finish	Center Beam <i>Example: YCB60, 118T</i> YCB Center Beam	Center Beam	Center Beam
End Caps 1. Pattern Number 2. Paint Finish	60 Width 118T Bright White Paint End Caps		
Center Beam Top Caps 1. Pattern Number 2. Paint Finish	<i>Example: YCBPE, 118T</i> YCB Center Beam PE Partial End 118T Bright White Paint		

Sapper Monitor Arm Side and Center Mount for Antenna Center Beam

Sapper arm mounts for Antenna enable masts from the Sapper Monitor Arm Collection to mount on the side or top of the Antenna Big Table center beam. These mounts can convert Sapper masts from other mounting applications, such as two-piece desk clamps, for use at the center of the big table.

Antenna Workspaces was designed to provide a “wire drop” in most desk and big table applications, in which Sapper Monitor Arms can be mounted. For desk-based planning or

big tables without hinged tops, Sapper Monitor Arm masts can be attached to the back or end of a top with the standard two-piece clamp base. For hinged tops in Big Table applications, however, masts must be mounted on the center beam, and can be ordered as a complete kit in the KnollExtra Sapper Monitor Arm Collection with those mounting options.

The center beam side mount supports a mast on the side edge of the center beam, enabling independent positioning of one or more monitors and room for a center screen behind and a hinged access door or standard wire drop in front.

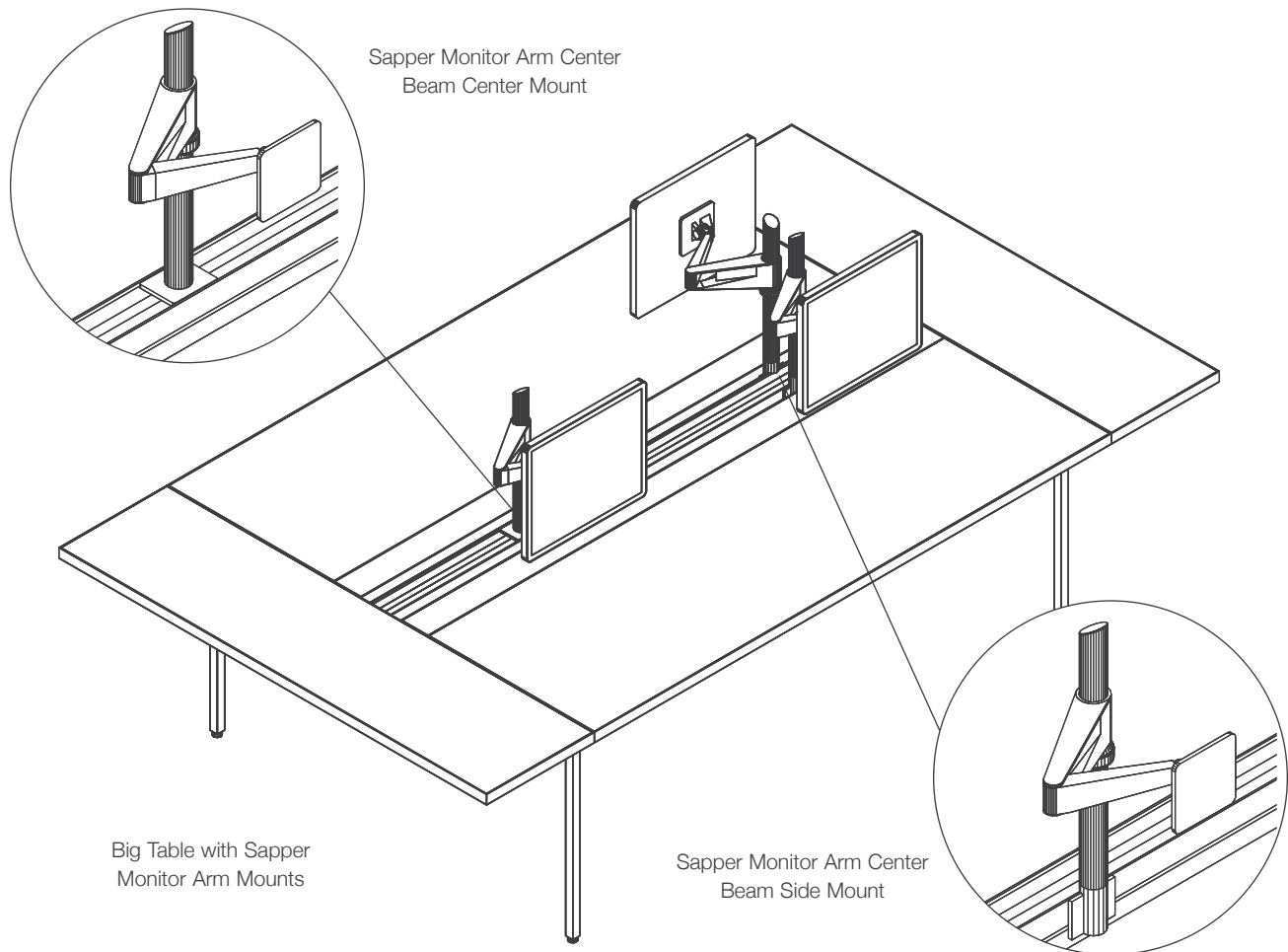
The center beam center mount supports a mast in the center top channel of the center beam, enabling shared use of the mast for monitor arms on both sides of the center beam. Center mount bracket occupies 4" of center beam in which screens or stanchions cannot be installed

Construction

The Sapper mounts are cast aluminum and extruded aluminum. The Sapper center beam center mount is a painted steel plate.

Specification Options

The Sapper mounts are available in any Knoll core paint finish, Dark Red or Slate Blue.



Keyboard Tray Mounting Kit

The keyboard tray mounting kit enables any KnollExtra keyboard support with sliding track to attach to the underside of an Antenna Workspaces desk, table or big table. The mounting kit suspends the sliding track from the desktop to directly below the rails, with full keyboard adjustability and retractability.

Keyboard tray must be specified with a sliding track that is less than the depth of the top and anything below the top, such as a power harness or cable basket. For example under a 24" deep desk with a power harness the

track should be no deeper than 18", and the keyboard may be restricted in where it can rotate when retracted. Under a 30" deep big table top with centered power, the track should be no deeper than 26" to clear access to power and cable baskets. Under a table/desk without cable trays or power any keyboard support with track less deep than the top should fit.

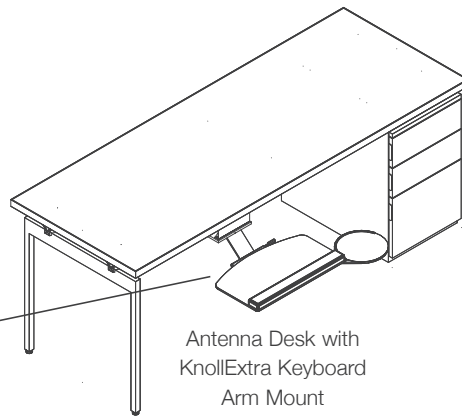
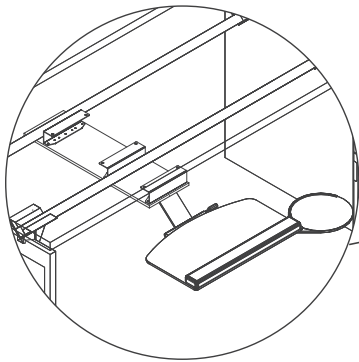
The keyboard tray mounting kit includes three black steel brackets that attach just below the front edge of the top and between the rails supporting the top.

CPU Mounting Kit

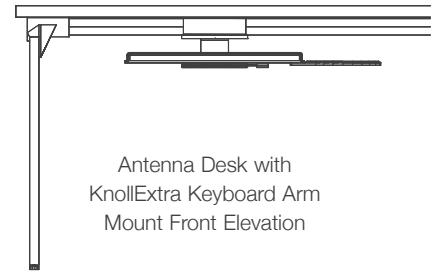
The CPU mounting kit enables most KnollExtra CPU frames to be mounted to the underside of Antenna desks or big tables. The mounting kit includes brackets that suspend the sliding track from the desktop to directly below the rails, enabling full CPU holder rotation and retractability. The mounting kit includes two black steel brackets that attach in front of and between the two steel rails in desk-based or big table planning. Any KnollExtra CPU can be mounted under a top deeper than the mounting track.

Construction

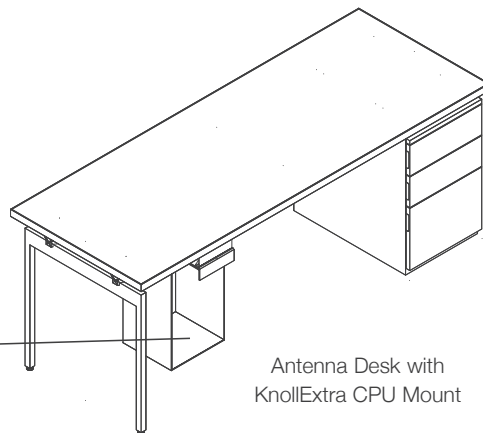
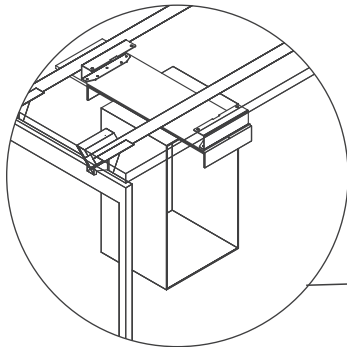
CPU and keyboard support mount kits are formed steel, painted black.



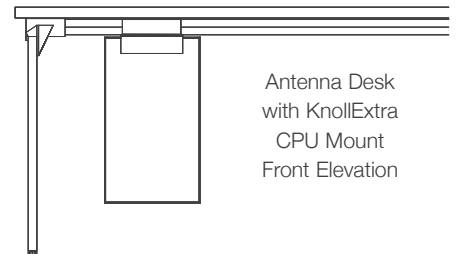
Antenna Desk with KnollExtra Keyboard Arm Mount



Antenna Desk with KnollExtra Keyboard Arm Mount Front Elevation



Antenna Desk with KnollExtra CPU Mount

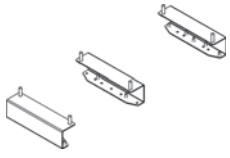


Antenna Desk with KnollExtra CPU Mount Front Elevation

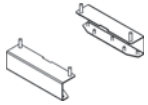
Keyboard Tray and CPU Holder Mounts

For Desk and Big Tables

description	type	w	d	h	pattern no.	list
KnollExtra Keyboard Tray Mount Kit	For attachment to underside of top	6"	1 1/4"	1 7/8"	YAK	\$101.

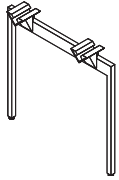


KnollExtra CPU Holder Mount Kit	For attachment to underside of top	6"	1 1/4"	1 7/8"	YACPU	67.
---------------------------------	------------------------------------	----	--------	--------	--------------	-----

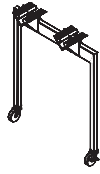


Ordering Information	Order Code	Included With	Options
Keyboard Tray/CPU Holder Mount Kit	Keyboard Tray Mount Kit	Keyboard Tray Mount Kit	
1. Pattern Number	<i>Example:</i> YAK YAK Keyboard Tray Mount	Attachment Hardware CPU Holder Mount Kit Attachment Hardware	

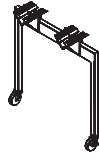
Desk End Legs



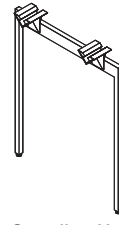
Desk Height End Leg
 Leg with Top: 28-1/2" High
 Leg: 27" High



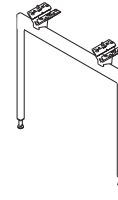
Desk Height End Leg with Casters
 Leg with Top: 28-1/2" High
 Leg: 27" High



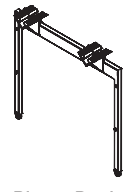
Low Height End Leg with Casters
 Leg with Top: 25" High
 Leg: 23-1/2" High



Standing Height End Leg
 Leg with Top: 36-1/2" High
 Leg: 35" High

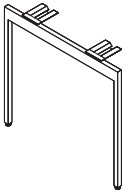


Adjustable Height End Leg
 Leg with Top: 27" - 30" High
 Leg: 25-1/2" - 28-1/2" High

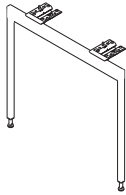


Pinset Desk End Leg
 Leg with Top: 27-1/2" - 36-1/2" High
 Leg: 26" - 35" High

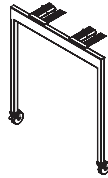
Table Desk End Legs



Desk Height Table Desk End Leg
 Leg with Top: 28-1/2" High
 Leg: 27" High

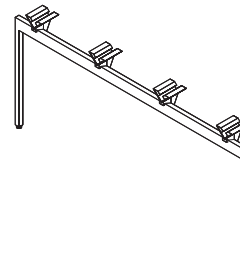


Adjustable Height Table Desk End Leg
 Leg with Top: 27" - 30" High
 Leg: 25-1/2" - 28-1/2" High

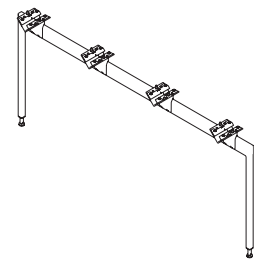


Desk Height Table Desk End Leg with Casters
 Leg with Top: 28-1/2" High
 Leg: 27" High

Back to Back End Legs

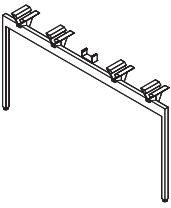


Desk Height Back to Back Desk End Leg
 Leg with Top: 28-1/2" High
 Leg: 27" High

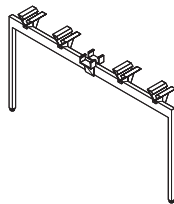


Adjustable Height Back to Back Desk End Leg
 Leg with Top: 27" - 30" High
 Leg: 25-1/2" - 28-1/2" High

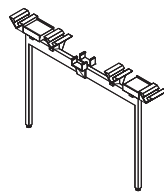
Dual Big Table Legs



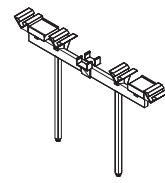
Desk Height End Leg
 Leg with Top: 28-1/2" High
 Leg: 27" High



Desk Height Intermediate Leg
 Leg with Top: 28-1/2" High
 Leg: 27" High



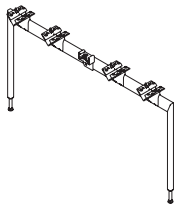
Desk Height Inset Intermediate Leg
 Leg with Top: 28-1/2" High
 Leg: 27" High



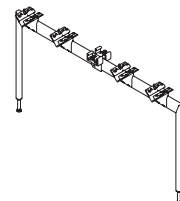
Desk Height 120 Degree Intermediate Leg
 Leg with Top: 28-1/2" High
 Leg: 27" High



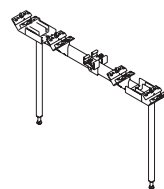
Desk Height Mid Span Support Leg
 Leg with Top: 28-1/2" High
 Leg: 27" High



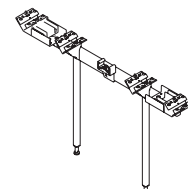
Adjustable Height End Leg
 Leg with Top: 27" - 30" High
 Leg: 25-1/2" - 28-1/2" High



Adjustable Height Intermediate Leg
 Leg with Top: 27" - 30" High
 Leg: 25-1/2" - 28-1/2" High



Adjustable Height Inset Intermediate Leg
 Leg with Top: 27" - 30" High
 Leg: 25-1/2" - 28-1/2" High

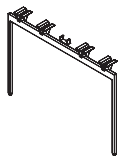


Adjustable Height 120 Degree Intermediate Leg
 Leg with Top: 27" - 30" High
 Leg: 25-1/2" - 28-1/2" High

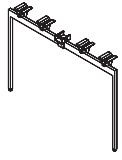


Adjustable Height Mid Span Support Leg
 Leg with Top: 27" - 30" High
 Leg: 25-1/2" - 28-1/2" High

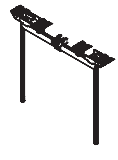
36" Standing Height Dual Big Table Legs



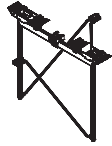
36" Standing Height End Leg
Leg with Top: 36 1/2"
Leg with Cradles: 35"
Leg Weldmount: 33"



36" Standing Height Intermediate Leg

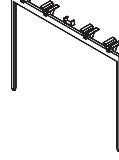


36" Standing Height Inset Intermediate Leg
(24"/27"/30" dual only)



36" Standing Height Intermediate Leg Brace
(shown with Inset Intermediate Leg)

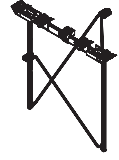
42" Standing Height Dual Big Table Legs



42" Standing Height End Leg
Leg with Top: 42 1/2"
Leg with Cradles: 41"
Leg Weldmount: 39"

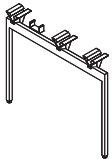


42" Standing Height Inset Intermediate Leg
(24"/27"/30" dual only)

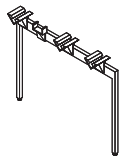


42" Standing Height Inset Intermediate Leg Brace
(shown with Inset Intermediate Leg)

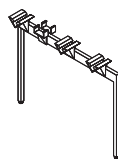
Single Sided Big Table Legs



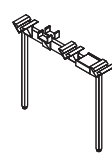
Desk Height Left End Leg
Leg with Top: 28-1/2" High
Leg: 27" High



Desk Height Right End Leg
Leg with Top: 28-1/2" High
Leg: 27" High



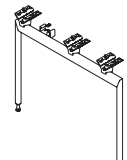
Desk Height Inset Intermediate Leg
Leg with Top: 28-1/2" High
Leg: 27" High



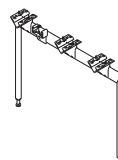
Desk Height Inset Intermediate Leg
Leg with Top: 28-1/2" High
Leg: 27" High



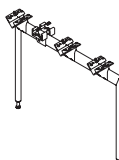
Desk Height Mid Span Support Leg
Leg with Top: 28-1/2" High
Leg: 27" High



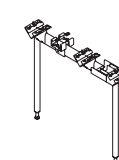
Adjustable Height Left End Leg
Leg with Top: 27" - 30" High
Leg: 25-1/2" - 28-1/2" High



Adjustable Height Right End Leg
Leg with Top: 27" - 30" High
Leg: 25-1/2" - 28-1/2" High



Adjustable Height Inset Intermediate Leg
Leg with Top: 27" - 30" High
Leg: 25-1/2" - 28-1/2" High

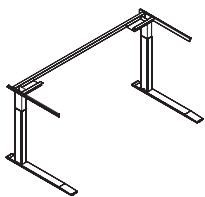


Adjustable Height Inset Intermediate Leg
Leg with Top: 27" - 30" High
Leg: 25-1/2" - 28-1/2" High

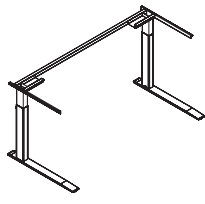


Adjustable Height Mid Span Support Leg
Leg with Top: 27" - 30" High
Leg: 25-1/2" - 28-1/2" High

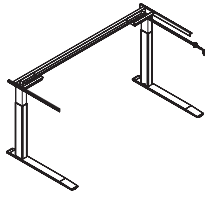
C-Leg Bases



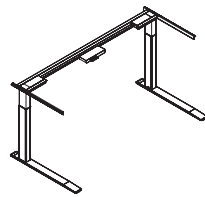
Fixed
Base with Top: 28-1/2" High
Base: 27" High



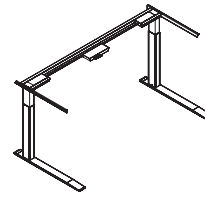
Pin-Set
Base with Top: 23-1/2" - 36-1/2" High
Base: 22" - 35 High



Handcrank
Base with Top: 23-1/2" - 36-1/2" High
Base: 22" - 35 High

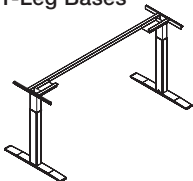


Electric
Base with Top: 28-1/2" - 48" High
Base: 27" - 46-1/2" High

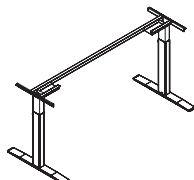


Advanced Electric
Base with Top: 22-1/2" - 49" High
Base: 21" - 47-1/2" High

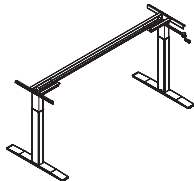
T-Leg Bases



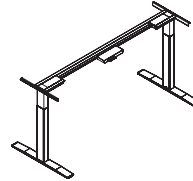
Fixed
Base with Top: 28-1/2" High
Base: 27" High



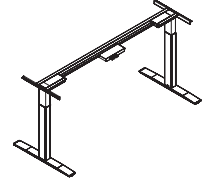
Pin-Set
Base with Top: 23-1/2" - 36-1/2" High
Base: 22" - 35 High



Handcrank
Base with Top: 23-1/2" - 36-1/2" High
Base: 22" - 35 High



Electric
Base with Top: 28-1/2" - 48" High
Base: 27" - 46-1/2" High



Advanced Electric
Base with Top: 22-1/2" - 49" High
Base: 21" - 47-1/2" High

Legs for Desks or Returns

Planning Guidelines and Specifications

Desk height end legs are inverted U-shaped supports. End legs for desks are 3" less than corresponding desk top depth, inset 1 1/2" from front and back desk top edge.

Desk height end legs support a worksurface height of 28 1/2". Adjustable height desk end legs are also available for applications needing more than the 1 1/2" height adjustability provided by desk height end leg levelers. Adjustable height desk end legs support a worksurface height ranging from 27" - 30". Standing height end legs support a 36 1/2" high worksurface. Pinset end legs support a worksurface height ranging from 27-1/2" - 36-1/2".

Desk end legs are also available with casters. Desk height end legs with casters support a worksurface height of 28-1/2". Low desk height end legs with casters support a worksurface height of 24-1/2". When casters are required, the entire leg assembly with casters must be specified.

End legs include two cradles and two levelers. Cradles are V-shaped connectors with clamps that secure the rails at a diagonal over the leg and fasten the legs and rails to the top. Legs for 18" deep tops are for return applications only.

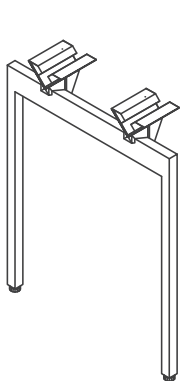
Construction

Desk end legs are 25" high steel weldments with 1" square legs and a 2 1/2" horizontal rail. Desk end legs include 2 1/2" levelers with 3/8" stems and continuous 1 1/2" adjustment range. Weldments for desk end legs with casters are 22" high. Low desk end leg weldments are 19" high. Adjustable desk end leg weldments are 23" high including 5" levelers with 5/8" stems and 3" continuous adjustment range. Standing height desk end leg weldments are 33" high including levelers with 1 1/2" height range. Pinset end leg weldments are 23" - 31" high including pinset adjustment of 9".

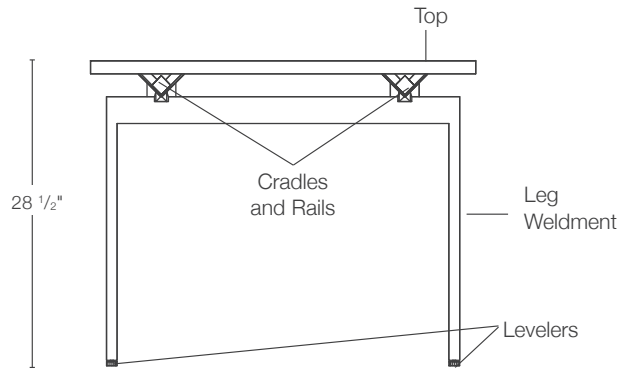
Cradles and clamps are cast aluminum with countersunk fasteners into legs, mating parts and top.

Specification Options

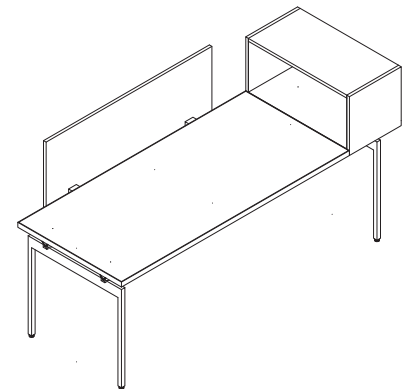
End legs are available in any Knoll core, Dark Red or Slate Blue paint finish. Specify cradle finish separately in any Knoll core, Dark Red or Slate Blue paint finish.



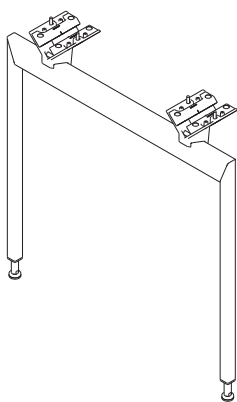
Desk Height End Leg



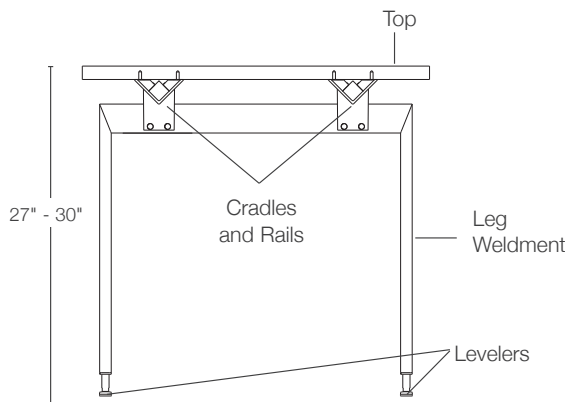
Desk Height End Leg End Elevation



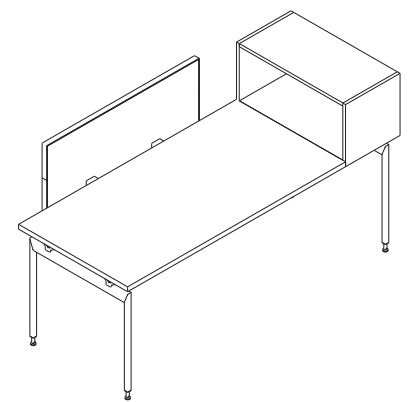
Desk with Desk Height End Legs, Above Desk Extension Cabinet and Screen



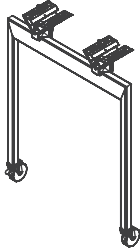
Adjustable Height End Leg



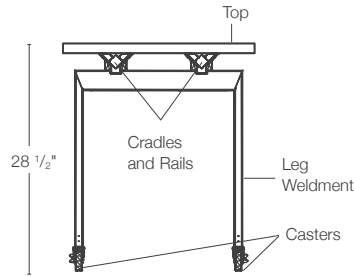
Adjustable Height End Leg End Elevation



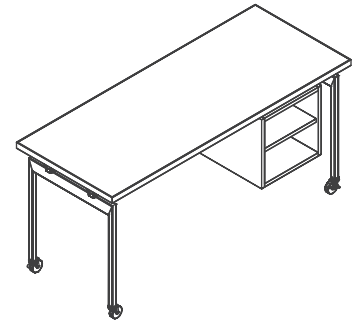
Desk with Adjustable Height End Legs and Suspended File



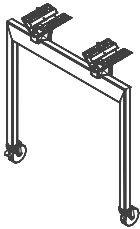
Desk Height End Leg with Casters



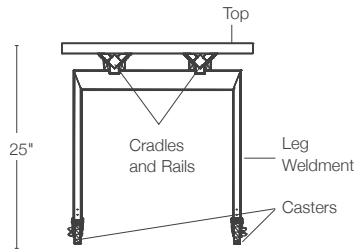
Desk Height End Leg with Casters End Elevation



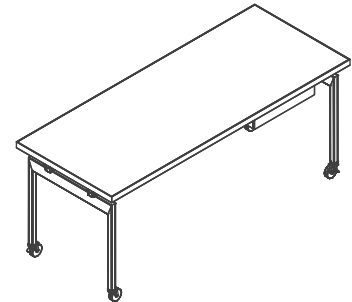
Desk with Desk Height End Legs with Casters and Suspended Open Cabinet



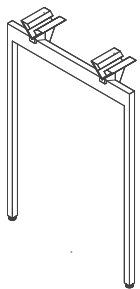
Low Desk Height End Leg with Casters



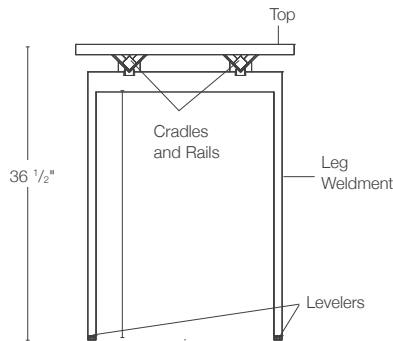
Low Desk Height End Leg with Casters End Elevation



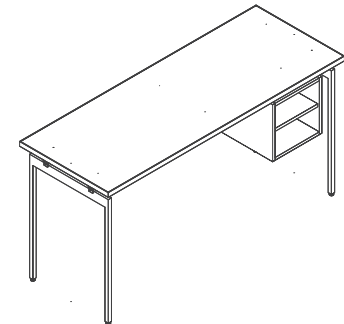
Desk with Low Desk Height End Legs with Casters and Suspended Open Cabinet



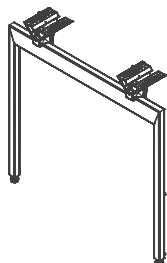
Standing Height End Leg



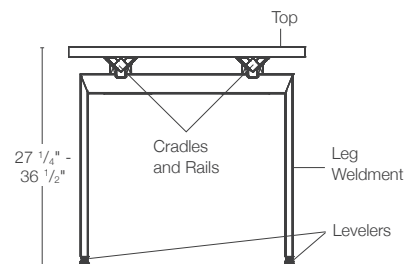
Standing Height End Leg End Elevation



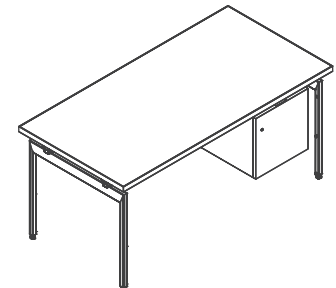
Desk with Standing Height End Legs and Suspended Open Cabinet



Pinset Desk End Leg








Pinset Desk End Leg End Elevation



Desk with Pinset Desk End Legs and Suspended File

Legs for Desks or Returns


Desk, Low Desk, Standing, Adjustable Height and Pinset

description	type	d	w	h	pattern no.	list
 Desk Height End Legs for Desks or Returns	For 18" Deep Top	15"	1"	27"	YELD18	\$291.
	For 24" Deep Top	21"	1"	27"	YELD24	302.
	For 27" Deep Top	24"	1"	27"	YELD27	307.
	For 30" Deep Top	27"	1"	27"	YELD30	313.
	For 36" Deep Top	33"	1"	27"	YELD36	325.
	For 42" or 48" Deep Top	39"	1"	27"	YELD42	347.
 Desk Height End Legs with Casters for Desks or Returns	For 18" Deep Top	15"	1"	27"	YELCD18	332.
	For 24" Deep Top	21"	1"	27"	YELCD24	344.
	For 27" Deep Top	24"	1"	27"	YELCD27	349.
	For 30" Deep Top	27"	1"	27"	YELCD30	354.
	For 36" Deep Top	33"	1"	27"	YELCD36	366.
 Low Desk Height End Legs with Casters for Desks or Returns	For 18" Deep Top	15"	1"	23 1/2"	YELCM18	332.
	For 24" Deep Top	21"	1"	23 1/2"	YELCM24	344.
	For 27" Deep Top	24"	1"	23 1/2"	YELCM27	349.
	For 30" Deep Top	27"	1"	23 1/2"	YELCM30	354.
	For 36" Deep Top	33"	1"	23 1/2"	YELCM36	366.
 Standing Height End Legs for Desks or Returns	For 24" Deep Top	21"	1"	35"	YELH24	500.
	For 27" Deep Top	24"	1"	35"	YELH27	511.
	For 30" Deep Top	27"	1"	35"	YELH30	522.
	For 36" Deep Top	33"	1"	35"	YELH36	533.
	For 42" or 48" Deep Top	39"	1"	35"	YELH42	543.
 Adjustable Height End Legs for Desks or Returns	For 18" Deep Top	15"	1"	25 1/2" - 28 1/2"	YELA18	325.
	For 24" Deep Top	21"	1"	25 1/2" - 28 1/2"	YELA24	335.
	For 27" Deep Top	24"	1"	25 1/2" - 28 1/2"	YELA27	342.
	For 30" Deep Top	27"	1"	25 1/2" - 28 1/2"	YELA30	347.
	For 36" Deep Top	33"	1"	25 1/2" - 28 1/2"	YELA36	359.
	For 42" or 48" Deep Top	39"	1"	25 1/2" - 28 1/2"	YELA42	381.

Ordering Information	Order Code	Included With	Options
End Legs for Desks/Returns	End Legs for Desks/Returns	End Legs for Desks/Returns	End Legs for Desks/Returns
1. Pattern Number	<i>Example:</i> YELD30, 118T, 118T	(2) Glides or Casters	
2. Leg Paint Finish	YEL End Leg	(2) Cradles	
3. Cradle Paint Finish	D Desk Height	Attachment Hardware	
	30 Depth		
	118T Bright White Paint		
	118T Bright White Paint		

Legs for Desks or Returns

Desk, Low Desk, Standing, Adjustable Height and Pinset

description	type	d	w	h	pattern no.	list
	For 24" Deep Top	21"	1"	26"-35"	YELP24	\$509.
	For 27" Deep Top	24"	1"	26"-35"	YELP27	514.
	For 30" Deep Top	27"	1"	26"-35"	YELP30	520.
	For 36" Deep Top	33"	1"	26"-35"	YELP36	532.

Ordering Information	Order Code	Included With	Options
End Legs for Desks/Returns	End Legs for Desks/Returns	End Legs for Desks/Returns	End Legs for Desks/Returns
1. Pattern Number	<i>Example:</i> YELD30, 118T, 118T	(2) Glides or Casters	
2. Leg Paint Finish	YEL End Leg	(2) Cradles	
3. Cradle Paint Finish	D Desk Height	Attachment Hardware	
	30 Depth		
	118T Bright White Paint		
	118T Bright White Paint		

Legs for Table Desks

Planning Guidelines and Specifications

Table desk end legs are 27" high inverted U-shape supports. Unlike desk end legs that attach to the underside of rails, table desk end legs capture the ends of the rails. End legs for tables can only be installed at the end of a desk top and are taller than standard end legs, so knees can fit under the end of the table. End legs for tables are the same overall depth as corresponding tops. End legs include two cradles and two levelers. Cradles are V-shaped connectors with clamps that secure the rails at a diagonal over the leg and fasten the legs and rails to the top.

End legs for tables are designed for end support of freestanding tables or returns only. Desk height table desk end legs support a worksurface height of 28 1/2". Adjustable height table desk end legs are also available

for applications needing more than the 1 1/2" height adjustability provided by desk height table desk end leg levelers. Adjustable height table desk end legs support a worksurface height ranging from 27" - 30". Legs for 18" deep tops are for return applications only.

Desk end legs are also available with casters. Desk height end legs with casters support a worksurface height of 28-1/2". When casters are required, the entire leg assembly with casters must be specified.

Construction

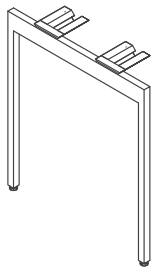
Table desk end legs are steel 27" high weldments with 1" square legs and a 2 1/2" horizontal rail. Legs include 2 1/2" levelers with 3/8" stems and continuous 1 1/2" adjustment range. Weldments for table desk legs with casters are 24" high.

Adjustable table leg weldments are 25 1/2" - 28 1/2" high including 5" levelers with 5/8" stems and 3" continuous adjustment range. Weldments for table desk legs with casters are 24" high.

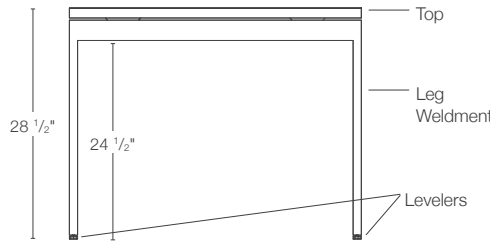
Cradles and clamps are cast aluminum with countersunk fasteners into legs, mating parts and top.

Specification Options

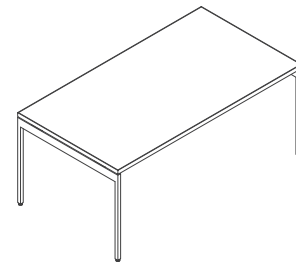
Table desk end legs can be specified in chrome or any Knoll core, Dark Red, or Slate Blue paint finish. Specify cradle finish separately in any Knoll core, Dark Red or Slate Blue paint finish.



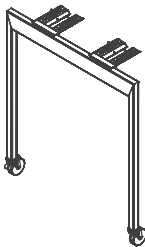
Desk Height Table Desk End Leg



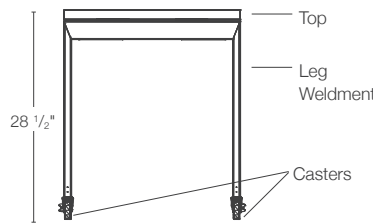
Desk Height Table End Elevation



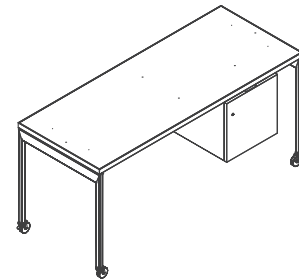
Desk Height Table Desk



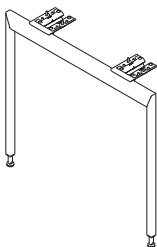
Desk Height Table Desk End Leg with Casters



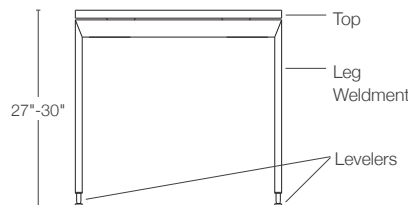
Desk Height Table Desk End Leg with Casters End Elevation



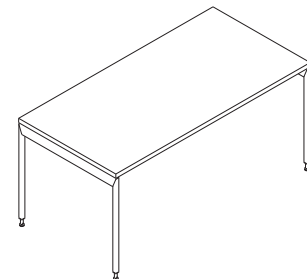
Desk with Desk Height Table Desk End Legs with Casters and Suspended File Cabinet



Adjustable Height Table Desk End Leg




Adjustable Height Table Desk End Leg End Elevation





Desk with Adjustable Height Table Desk End Legs with Screen

Legs for Table Desks

Desk and Adjustable Height

description	type	w	d	h	pattern no.	Painted	Chrome
 Desk Height End Legs for Table Desks	For 18" Deep Top	1"	18"	27"	YELSD18	\$313.	\$493.
	For 24" Deep Top	1"	24"	27"	YELSD24	325.	505.
	For 27" Deep Top	1"	27"	27"	YELSD27	330.	559.
	For 30" Deep Top	1"	30"	27"	YELSD30	335.	568.
	For 36" Deep Top	1"	36"	27"	YELSD36	347.	624.
	For 42" Deep Top	1"	42"	27"	YELSD42	364.	667.
	For 48" Deep Top	1"	48"	27"	YELSD48	369.	703.

 Desk Height End Legs with Casters for Table Desks	For 24" Deep Top	1"	24"	27"	YELSCD24	354.	n/a
	For 27" Deep Top	1"	27"	27"	YELSCD27	366.	n/a
	For 30" Deep Top	1"	30"	27"	YELSCD30	372.	n/a
	For 36" Deep Top	1"	36"	27"	YELSCD36	377.	n/a
	For 42" Deep Top	1"	42"	27"	YELSCD42	388.	n/a
	For 48" Deep Top	1"	48"	27"	YELSCD48	406.	n/a

 Adjustable Height End Legs for Table Desks	For 18" Deep Top	1"	18"	25 1/2" - 28 1/2"	YELSA18	347.	n/a
	For 24" Deep Top	1"	24"	25 1/2" - 28 1/2"	YELSA24	359.	n/a
	For 27" Deep Top	1"	27"	25 1/2" - 28 1/2"	YELSA27	364.	n/a
	For 30" Deep Top	1"	30"	25 1/2" - 28 1/2"	YELSA30	369.	n/a
	For 36" Deep Top	1"	36"	25 1/2" - 28 1/2"	YELSA36	381.	n/a
	For 42" Deep Top	1"	42"	25 1/2" - 28 1/2"	YELSA42	397.	n/a
	For 48" Deep Top	1"	48"	25 1/2" - 28 1/2"	YELSA48	404.	n/a

Desk and Table Support

Ordering Information

End Legs for Desks/Returns

1. Pattern Number
2. Leg Paint Finish
3. Cradle Paint Finish

Order Code

End Legs for Table Desks

Example: **YELSD30, 118T, 118T**

YEL	End Leg
S	Table Desk
D	Desk Height
30	Depth
118T	Bright White Paint
118T	Bright White Paint

Included With

End Legs for Table Desks

- (2) Glides or Casters
- (2) Cradles
- Attachment Hardware

Options

End Legs for Table Desks

Finish Options:

Table Desk End Legs are available in Knoll core paints, Dard Red (130) and Slate Blue (131) paint finishes, as well as polished chrome (PD) finish.

Legs for Back to Back Desks

Planning Guidelines and Specifications

End legs for back to back desks are 25" high inverted U-shape supports. A back to back desk end leg supports one end of back to back tops or can be shared between adjacent pairs of back to back tops. End legs include two cradles and two levelers. Cradles are V-shaped connectors with clamps that secure the rails at a diagonal over the leg and fasten the legs and rails to the top. End legs also include two levelers.

End legs are normally positioned 1 1/2" from the end of the tops, but maybe inset for suspended storage.

Designed to create a 3 3/4" space between the back-to-back tops for a desk mounted screen and wire drops on each side, dual end legs are inset 1 1/2" from the front edges of the

tops creating an overall depth 3/4" less than the sum of corresponding back to back top depths. Shared screens can be positioned no closer to the end of the tops than 3".

Desk height back to back desk end legs support a worksurface height of 28 1/2". Adjustable back to back desk end legs are also available for applications needing more than the 1 1/2" height adjustability provided by desk height back to back desk end leg levelers. Adjustable height back to back desk end legs support a worksurface height ranging from 27" - 30". Hinged tops are not compatible with back to back desk legs.

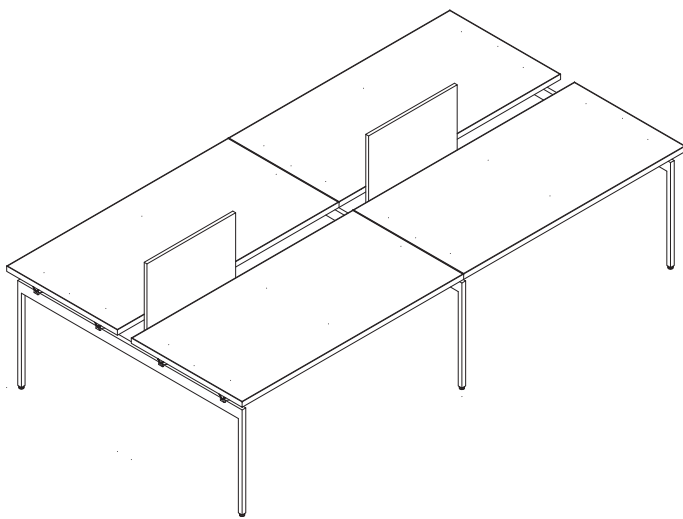
Construction

Back to back desk end legs are 25" high steel weldments with 1" square legs and a 2 1/2" horizontal rail. Legs include 2 1/2" levelers with 3/8" stems and continuous 1 1/2" adjustment range. Adjustable back to back desk leg weldments are 23" high including 5" levelers with 5/8" stems and 3" continuous adjustment range.

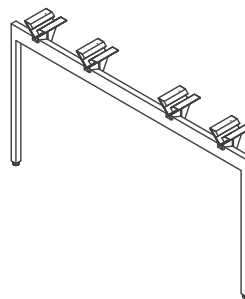
Cradles and clamps are cast aluminum with countersunk fasteners into legs, mating parts and top.

Specification Options

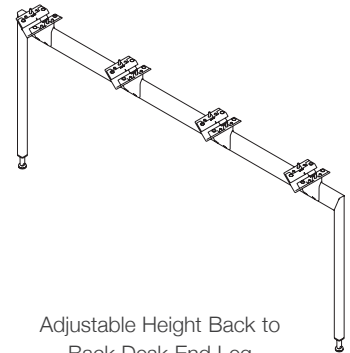
Back to back desk end legs can be specified in any Knoll core, Dark Red, or Slate Blue paint finish. Specify cradle finish separately in any Knoll core, Dark Red or Slate Blue paint finish.



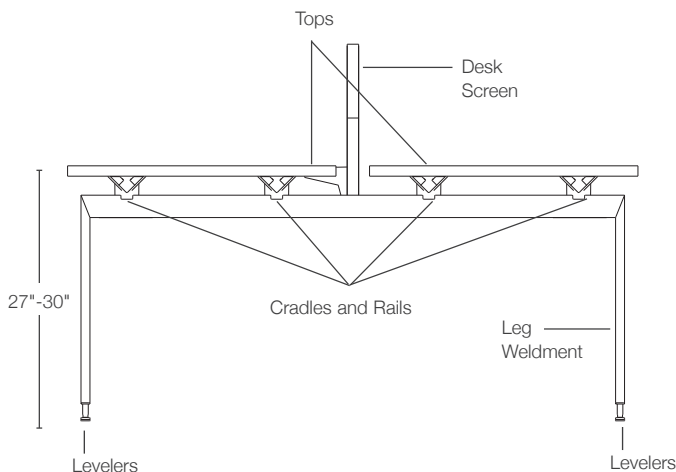
Desk Height Back to Back Desk with Screens



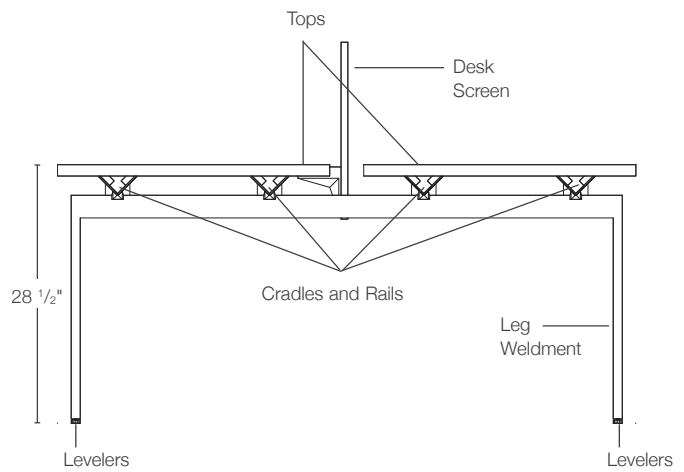
Desk Height Back to Back Desk End Leg



Adjustable Height Back to Back Desk End Leg




Adjustable Height Back to Back Desk End Leg End Elevation




Desk Height Back to Back Desk End Elevation

Legs for Back to Back Desks

Desk Height and Adjustable Height

description	type	w	d	h	pattern no.	list
	For 18" Deep Back to Back Tops	1"	36 ³ / ₄ "	27"	YELDD18	\$448.
	For 24" Deep Back to Back Tops	1"	48 ³ / ₄ "	27"	YELDD24	471.
	For 27" Deep Back to Back Tops	1"	54 ³ / ₄ "	27"	YELDD27	493.
	For 30" Deep Back to Back Tops	1"	60 ³ / ₄ "	27"	YELDD30	504.
	For 36" Deep Back to Back Tops	1"	72 ³ / ₄ "	27"	YELDD36	515.

	For 18" Deep Back to Back Tops	1"	36 ³ / ₄ "	25 ¹ / ₂ " - 28 ¹ / ₂ "	YELDA18	481.
	For 24" Deep Back to Back Tops	1"	48 ³ / ₄ "	25 ¹ / ₂ " - 28 ¹ / ₂ "	YELDA24	504.
	For 27" Deep Back to Back Tops	1"	54 ³ / ₄ "	25 ¹ / ₂ " - 28 ¹ / ₂ "	YELDA27	526.
	For 30" Deep Back to Back Tops	1"	60 ³ / ₄ "	25 ¹ / ₂ " - 28 ¹ / ₂ "	YELDA30	537.
	For 36" Deep Back to Back Tops	1"	72 ³ / ₄ "	25 ¹ / ₂ " - 28 ¹ / ₂ "	YELDA36	549.

Desk and Table Support

Ordering Information	Order Code	Included With	Options
End Legs for Back to Back Desks 1. Pattern Number 2. Leg Paint Finish 3. Cradle Paint Finish	End Legs for Back to Back Desks <i>Example:</i> YELDD30, 118T, 118T YEL End Leg D Back to Back Desk D Desk Height 30 Depth 118T Bright White Paint 118T Bright White Paint	End Legs for Back to Back Desks (2) Glides (4) Cradles Attachment Hardware	End Legs for Back to Back Desks

Legs for Dual Sided Big Tables

Planning Guidelines and Specifications

Desk height end legs for dual big tables are 25" high inverted U-shape supports for use at the ends of big table configurations. Big table end legs include four cradles, support for the center beam and two levelers.

Cradles are V-shaped connectors with clamps that secure the rails over the leg and fasten the legs and rails to the top.

Intermediate legs for big tables are 25" high and are shared between adjacent tops. Big table intermediate legs include four cradles, support for the center beam, and two levelers.

Big table end legs and intermediate legs are always 50 1/2" deep, for 24", 27" or 30" top depths. They are inset 1 1/2" from front edge of 24"D tops, 4 1/2" from front edge of 27"D tops

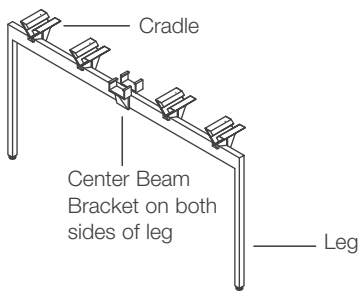
and 7 1/2" from front of 30"D tops. End legs and intermediate legs for 18" deep tops are 38 1/2" deep and inset 1 1/2" from the front edge of the top. End legs and intermediate legs for 36" deep tops are 62 1/2" deep, so they are inset 7 1/2" from front edge of top. End legs can be positioned up to 6" in from the ends of a big table and intermediate legs must be mounted directly under the joint of two tops.

Inset intermediate legs for big tables are 25" high and are shared between adjacent tops. They offer more knee space than standard intermediate legs. Big table inset intermediate legs include four cradles, support for the center beam, and two levelers. Inset intermediate leg overall depth is 35 1/2", for 24", 27" or 30"

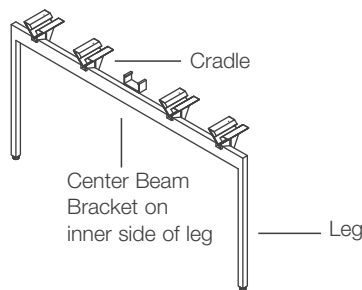
top depths. They are recessed 9" from front edge of 24"D tops, 12" from front edge of 27"D tops, and 15" from front of 30"D tops. Inset intermediate legs for 36" deep tops are 47 1/2" deep, so they are recessed 15" from front edge of top. Inset intermediate legs are not available for 18" deep big tables.

When big tables are specified with 36" deep tops 54" or wider, a mid span support for center beam must be specified.

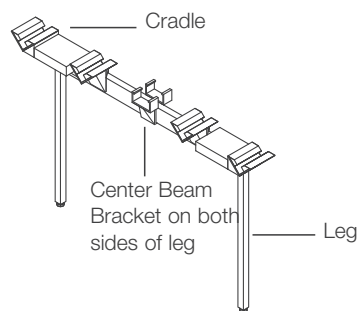
Desk height end legs, intermediate legs and inset intermediate legs 25" high support a worksurface height of 28 1/2". Adjustable height end legs, intermediate legs and inset intermediate legs 23"H support worksurface height from 27" to 30".



Desk Height Big Table Intermediate Leg



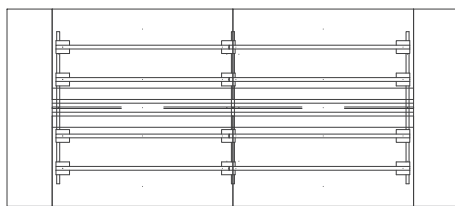
Desk Height Big Table End Leg



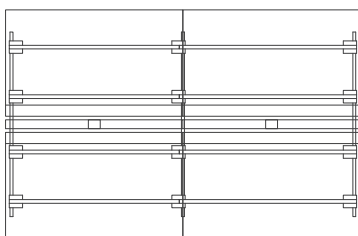
Desk Height Big Table Inset Intermediate Leg



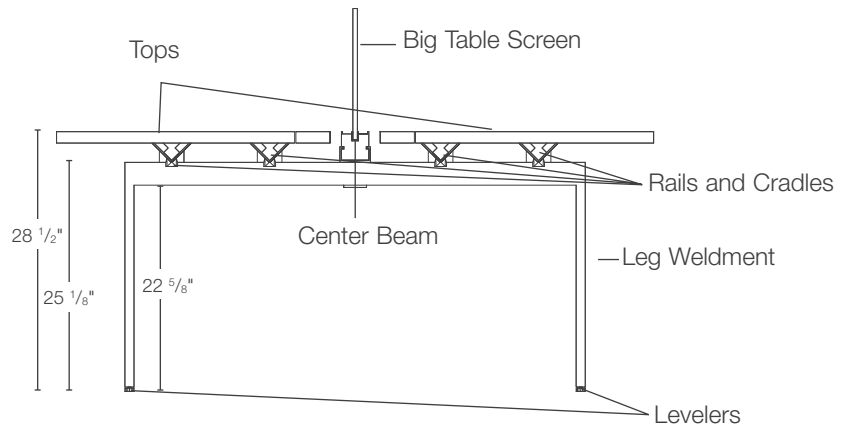
Desk Height Mid Span Support for Center Beam



Plan View of Big Table with Intermediate Leg



Plan View of Big Table with Mid Span Support for Center Beam



Dual Sided Desk Height Big Table End Elevation

Legs for Dual Sided Big Tables

Planning Guidelines and Specifications

Antenna dual big tables can be planned in 120 degree Antenna tops, 120 degree intermediate legs, standard big table end legs, rails, center beams and power components.

When planning with 120 degree tops, an intermediate leg for 120 degree must be specified. The vertical legs are shifted to allow for ample kneespace. The top of the intermediate leg for 120 degree is the same as the big table inset intermediate leg, with two standard cradles for rails, two extended arm cradles and brackets for the center beam between them.

Big table 120 degree planning uses the same components and capabilities as standard straight big table applications" linked modular power components, cable baskets and

wire management, center beam mounted screens, storage and monitor arms. Pedestals must be specified as mobile or freestanding with ballast for 120 degree applications.

Desk height 120 degree intermediate legs 25" high support a worksurface height of 28 1/2". Adjustable height 120 degree intermediate legs 23" H support worksurface height from 27" to 30".

Construction

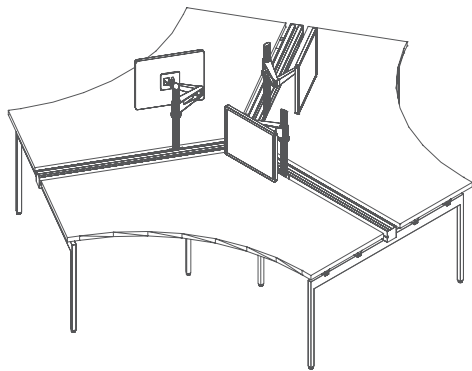
Big table desk height end legs, intermediate legs inset intermediate legs and 120 degree legs are 25" high steel weldments with 1" square legs and a 2 1/2" horizontal rail. Legs include 2 1/2" levelers with 3/8" stems and continuous 1 1/2" adjustment range.

Adjustable dual big table leg weldments are 23" high including 5" levelers with 5/8" stems and 3" continuous adjustment range.

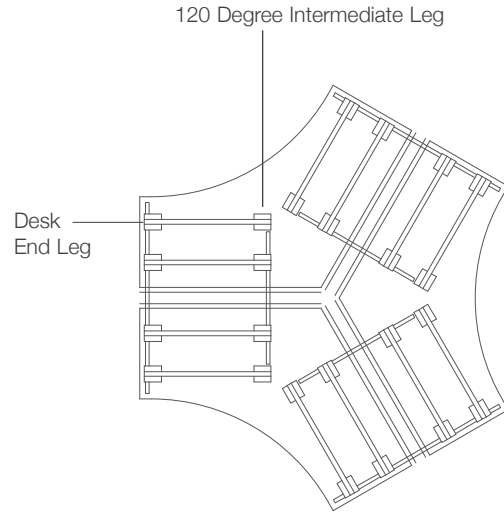
Cradles and clamps are cast aluminum with countersunk fasteners into legs, mating parts and tops.

Specification Options

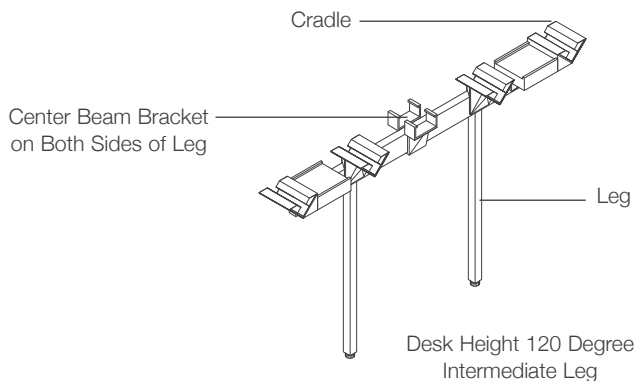
Big table end legs, intermediate legs, inset intermediate legs and 120 degree legs can be specified in any Knoll Core, Dark Red or Slate Blue paint finish. Specify cradle finish separately in any Knoll Core, Dark Red, or Slate Blue paint finish.



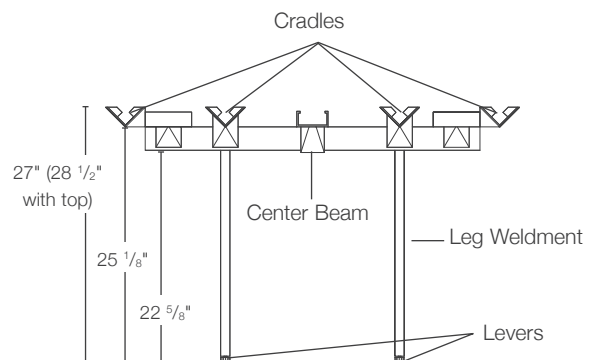
Desk Height 120 Degree Triad



Plan View of 120 Degree Triad



Desk Height 120 Degree Intermediate Leg



120 Degree Intermediate Leg

Legs for Dual Sided Big Tables

Desk Height

description	type	w	d	h	pattern no.	list
Desk Height End Leg for Dual Big Tables	For 18"D Dual Sided Big Tables	1"	38 1/2"	27"	YELDD38	\$486.
	For 24", 27" or 30"D Dual Sided Big Tables	1"	50 1/2"	27"	YELDD50	531.
	For 36"D Dual Sided Big Table	1"	62 1/2"	27"	YELDD62	543.



(YELDD50 shown)

Desk Height Intermediate Leg for Dual Big Tables	For 18"D Dual Sided Big Tables	1"	38 1/2"	27"	YILDD38	535.
	For 24", 27" or 30"D Dual Sided Big Tables	1"	50 1/2"	27"	YILDD50	588.
	For 36"D Dual Sided Big Tables	1"	62 1/2"	27"	YILDD62	592.



(YILDD50 shown)

Desk Height Inset Intermediate Leg for Dual Big Tables	For 24", 27" or 30"D Dual Sided Big Tables	1"	35 1/2"	27"	YILDD35	644.
	For 36"D Dual Sided Big Tables	1"	47 1/2"	27"	YILDD48	673.



(YILDD35 shown)

Desk Height 120° Intermediate Leg for Dual Big Tables	For 24" or 27"D Dual Sided Big Tables	1"	20"	27"	YILDDV20	700.
---	---------------------------------------	----	-----	-----	-----------------	------



Ordering Information

Legs for Dual Big Tables

1. Pattern Number
2. Leg Paint Finish
3. Cradle Paint Finish

Order Code

Legs for Dual Big Tables

Example: **YELDD50, 118T, 118T**

YEL	End Leg
D	Dual Big Table
D	Desk Height
50	Depth
118T	Bright White Paint
118T	Bright White Paint

Included With

- Legs for Dual Big Tables**
- (2) Glides
 - (4) Cradles
 - Center Beam Support Brackets
 - Attachment Hardware
- Mid Span Support Leg**
- Attachment Hardware
 - Glide

Options

Legs for Dual Big Tables

Legs for Dual Sided Big Tables

Desk Height

description	type	w	d	h	pattern no.	list
Desk Height Mid Span Support Leg for Center Beam	For 36"D Dual and Single Sided Big Tables wider than 54"W	1"	1"	25"	YILDD1	\$92.



Ordering Information

Legs for Dual Big Tables

1. Pattern Number
2. Leg Paint Finish
3. Cradle Paint Finish

Order Code

Legs for Dual Big Tables

Example: **YELDD50, 118T, 118T**

YEL	End Leg
D	Dual Big Table
D	Desk Height
50	Depth
118T	Bright White Paint
118T	Bright White Paint

Included With

Legs for Dual Big Tables

- (2) Glides
- (4) Cradles
- Center Beam Support Brackets
- Attachment Hardware

Mid Span Support Leg


- Attachment Hardware
- Glide

Options


Legs for Dual Big Tables

Legs for Dual Sided Big Tables


Adjustable Height

description	type	w	d	h	pattern no.	list
	For 18"D Dual Sided Big Tables	1"	38 1/2"	25 1/2" - 28 1/2"	YELDA38	\$521.
	For 24", 27" or 30"D Dual Sided Big Tables	1"	50 1/2"	25 1/2" - 28 1/2"	YELDA50	565.
	For 36"D Dual Sided Big Tables	1"	62 1/2"	25 1/2" - 28 1/2"	YELDA62	578.

(YELDA50 shown)

	For 18"D Dual Sided Big Tables	1"	38 1/2"	25 1/2" - 28 1/2"	YILDA38	568.
	For 24", 27" or 30"D Dual Sided Big Tables	1"	50 1/2"	25 1/2" - 28 1/2"	YILDA50	622.
	For 36"D Dual Sided Big Tables	1"	62 1/2"	25 1/2" - 28 1/2"	YILDA62	626.

(YILDA50 shown)

	For 24", 27" or 30"D Dual Sided Big Tables	1"	35 1/2"	25 1/2" - 28 1/2"	YILDA35	677.
	For 36"D Dual Sided Big Table	1"	47 1/2"	25 1/2" - 28 1/2"	YILDA48	707.

(YILDA35 shown)

Adjustable Height 120° Intermediate Leg for Dual Big Tables	For 24" or 27"D Dual Sided Big Table	1"	20"	25 1/2" - 28 1/2"	YILDAV20	734.
---	--------------------------------------	----	-----	-------------------	-----------------	------



Adjustable Height Mid Span Support Leg for Center Beam	For 36"D Dual and Single Sided Big Tables wider than 54"	1"	1"	23 1/2" - 26 1/2"	YILDA1	110.
--	--	----	----	-------------------	---------------	------



Ordering Information

Legs for Dual Big Tables

1. Pattern Number
2. Leg Paint Finish
3. Cradle Paint Finish

Order Code

Legs for Dual Big Tables

Example: **YELDA50, 118T, 118T**

YEL	End Leg
D	Dual Big Table
A	Adjustable Height
50	Depth
118T	Bright White Paint
118T	Bright White Paint

Included With

- Legs for Dual Big Tables**
- (2) Glides
 - (4) Cradles
 - Center Beam Support Brackets
 - Attachment Hardware
- Mid Span Support Leg**
- Attachment Hardware
 - Glide

Options

Legs for Dual Big Tables

Legs for Standing Height Dual Sided Big Tables

Planning Guidelines and Specifications

Standing height end legs for 36" high dual big tables are 33" high inverted U-shape supports for use at the ends of big table configurations of four or more positions. Standing height big tables with tops greater than 18" deep must have at least one inset intermediate leg with support brace for stability. Big table end legs include four cradles, support bracket for the center beam and two levelers. Cradles are V-shaped connectors with clamps that secure the rails over the leg and fasten the legs to the tops.

End legs for 18"D standing height big tables are 38 1/2" deep, inset 1 1/2" from front edges of tops. End legs for 24", 27" or 30" deep big tables are always 50 1/2" deep, inset 1 1/2" from front edges of 24" deep tops, 4 1/2" from front edges of 27" deep tops, and 7 1/2" from front edge of 30" deep tops.

Standing height intermediate legs for 36" high big tables are 33" high inverted U-shape supports shared between adjacent tops in

big tables with four or more positions. Big table intermediate legs include four cradles, two support brackets for center beams, and two levelers.

Intermediate legs for 18"D standing height big tables are 38 1/2" deep. Intermediate legs for 24", 27" or 30" deep big tables with tops 48"-54" wide can be same dimension as 50 1/2" deep end legs, or inset intermediate legs 35 1/2" deep. Inset intermediate legs with diagonal braces are required for 24" or deeper big tables with four or more positions of tops greater than 54" wide. Inset intermediate legs are inset 9" from front edges of 24" deep tops, 12" from front edges of 27" deep tops, and 15" from front edge of 30" deep tops. Inset intermediate legs are preconfigured with inserts for diagonal brace connection near each leveler.

Diagonal brace kit, which ensures the stability of standing height tables with tops up to 84" wide, includes a pair of V-shape chrome steel tubes connecting from the

base of each leg to the underside of the center beam. Standing height intermediate leg brace kit must be specified separately.

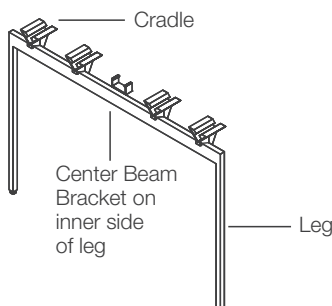
Inset intermediate legs are not available for 18"D big tables, and no standing height legs are available for 36"D tops.

Construction

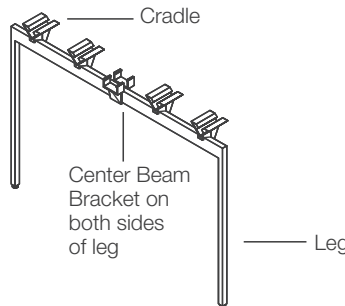
Standing height big table end legs and intermediate legs are steel weldments with 1" square legs and a 1" x 2 1/2" horizontal rail, reinforced internally. Legs include 2 1/2" levelers with 3/8" stems and continuous 1 1/2" adjustment range. Cradles and clamps are cast aluminum with countersunk fasteners into legs, mating parts and tops.

Specification Options

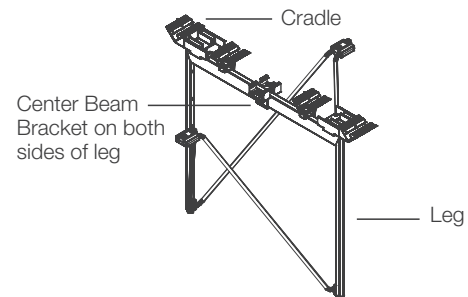
Standing height dual big table end legs, intermediate legs and inset intermediate legs can be specified in any Knoll Core, Dark Red or Slate Blue paint finish. Specify cradle finish separately. Brace kit is available in Knoll Core, Dark Red or Slate Blue paint finish and Chrome.



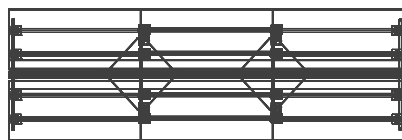
Standing Height Big Table End Leg



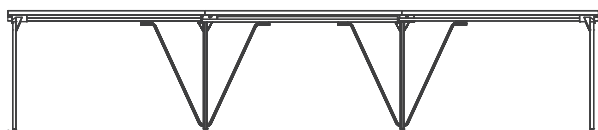
Standing Height Big Table Intermediate Leg



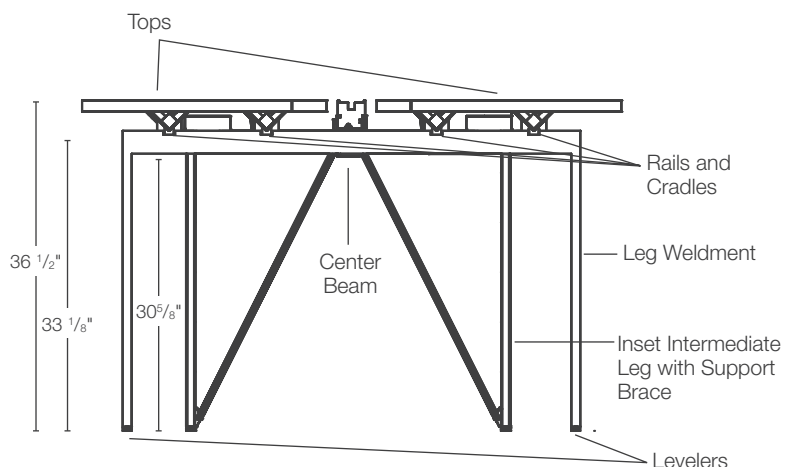
Standing Height Big Table Inset Intermediate Leg with Support Brace



Plan View of Big Table with Inset Intermediate Legs and Support Brace



Elevation View of Straight Big Table with Inset Intermediate Legs and Support Braces



Standing Height Dual Big Table End Elevations

Legs for Standing Height Dual Sided Big Tables

Standing Height 36"

description	type	w	d	h	pattern no.	list
36" Standing Height Two Position End Leg for Dual Big Tables	For 24", 37" or 30"D Dual Big Tables	1"	50 1/2"	35"	YELDH50B	\$856.



(YELDH50 shown)

36" Standing Height End Leg for Dual Big Tables	For 18"D Dual Big Tables	1"	38 1/2"	35"	YELDH38	775.
	For 24", 27" or 30"D Dual Big Tables	1"	50 1/2"	35"	YELDH50	804.



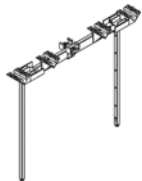
(YELDH50 shown)

36" Standing Height Intermediate Leg for Dual Big Tables	For 18"D Dual Big Tables	1"	38 1/2"	35"	YILDH38	837.
	For 24", 27" or 30"D Dual Big Tables	1"	50 1/2"	35"	YILDH50	866.



(YILDH38 shown)

36" Standing Height Inset Intermediate Leg for Dual Big Tables	For 24", 27" or 30"D Dual Big Tables	1"	35 1/2"	35"	YILDH35	999.
--	--------------------------------------	----	---------	-----	----------------	------



(YILDH35 shown)

Ordering Information

Legs for Dual Big Tables

1. Pattern Number
2. Leg Paint Finish
3. Cradle Paint Finish

Order Code

Legs for Dual Big Tables

Example: **YELDH50, 118T, 118T**

YEL	End Leg
D	Dual Big Table
H	Standing Height
50	Depth
118T	Bright White Paint
118T	Bright White Paint

Included With

Legs for Dual Big Tables

- (2) Glides
- (4) Cradles
- Center Beam Support Brackets
- Attachment Hardware

Mid Span Support Leg

- Attachment Hardware
- Glide

Options

Legs for Dual Big Tables

All core painted finishes

Support Brace

All core painted finishes and Chrome.

Legs for Standing Height Dual Sided Big Tables

Standing Height 36"

description	type	w	d	h	pattern no.	list
Support brace kit for standing height inset intermediate leg	For 24", 27" or 30"D Dual Big Tables	1"	20"	35"	YILDHB	\$365.



Support brace kit for standing height End Leg	For 24", 27" or 30"D Dual Big Tables	1"	20"	35"	YELDHB	229.
---	--------------------------------------	----	-----	-----	---------------	------



Ordering Information

Legs for Dual Big Tables

1. Pattern Number
2. Leg Paint Finish
3. Cradle Paint Finish

Order Code

Legs for Dual Big Tables

Example: **YELDH50, 118T, 118T**

YEL	End Leg
D	Dual Big Table
H	Standing Height
50	Depth
118T	Bright White Paint
118T	Bright White Paint

Included With

Legs for Dual Big Tables

- (2) Glides
- (4) Cradles
- Center Beam Support Brackets
- Attachment Hardware

Mid Span Support Leg

- Attachment Hardware
- Glide

Options

Legs for Dual Big Tables

All core painted finishes

Support Brace

All core painted finishes and Chrome.

Legs for Standing Height Dual Sided Big Tables

Planning Guidelines and Specifications

Standing height end legs for 42" high dual big tables are 39" high inverted U-shape supports for use at the ends of big table configurations. 42" high standing height big tables must have at least one inset intermediate leg with support brace for stability. Big table end legs include four cradles, support bracket for center beam and two levelers. Cradles are V-shaped connectors with clamps that secure the rails over the leg and fasten the legs to the tops.

End legs for 24", 27" or 30" deep big tables are always 50 1/2" deep, inset 1 1/2" from front edges of 24" deep tops, 4 1/2" from front edges of 27" deep tops, and 7 1/2" from front edge of 30" deep tops.

Standing height inset intermediate legs for 42" high big tables are 39" high inverted U-shape supports shared between adjacent tops.

Big table inset intermediate legs include four cradles, two support brackets for center beams and two levelers.

Inset intermediate legs with diagonal brace are required for all 42" high standing height big tables. Inset intermediate legs are always 35 1/2" deep, inset 9" from front edges of 24" deep tops, 12" from front edge of 27" deep tops, and 15" from front edge of 30" deep tops. Inset intermediate legs are preconfigured with inserts for diagonal brace connection near each leveler.

Diagonal brace kit, which ensures the stability of standing height tables with tops up to 84" wide, includes a pair of V-shape chrome steel tubes connecting from the base of each leg to the underside of the center beam. Standing height intermediate leg brace kit must be specified separately.

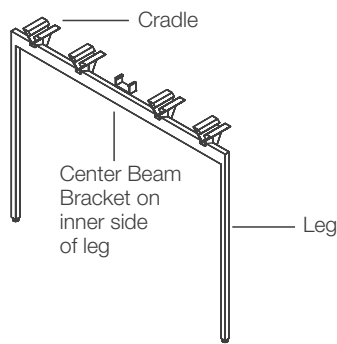
No standing height legs are available for 18" or 36" deep tops.

Construction

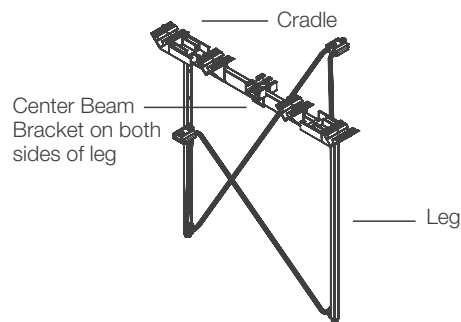
Standing height big table end legs and inset intermediate legs are steel weldments with 1" square legs and a 1" x 2 1/2" horizontal rail, reinforced internally. Legs include 2 1/2" levelers with 3/8" stems and continuous 1 1/2" adjustment range. Cradles and clamps are cast aluminum with countersunk fasteners into legs, mating parts and tops.

Specification Options

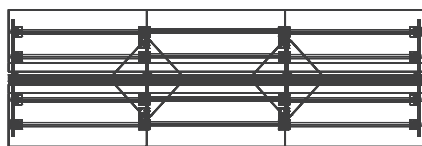
Standing height dual big table end legs and inset intermediate legs can be specified in any Knoll Core, Dark Red or Slate Blue paint finish. Specify cradle finish separately. Brace kit is available in Knoll Core, Dark Red or Slate Blue paint finish and Chrome.



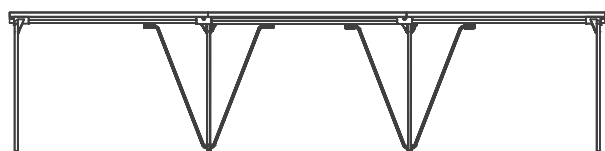
42"H Standing Height Big Table End Leg



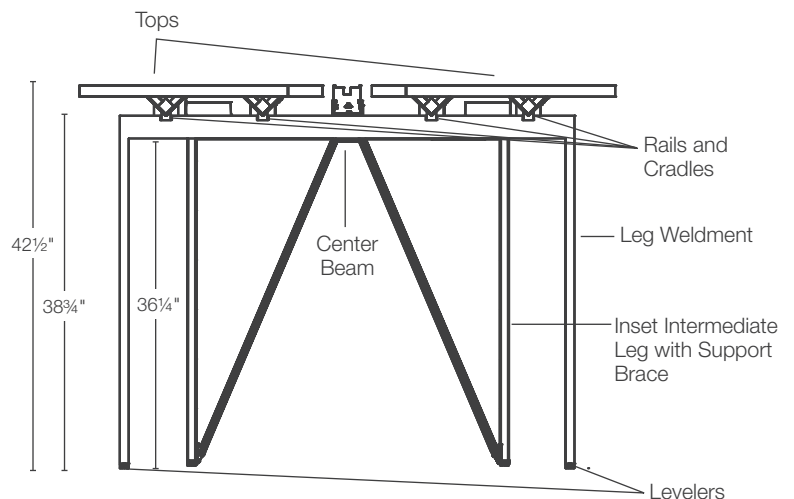
42"H Standing Height Big Table Inset Intermediate Leg with Support Brace



Plan View of Big Table with Inset Intermediate Legs and Support Brace



Elevation View of Straight Big Table with Inset Intermediate Legs and Support Braces



42"H Standing Height Dual Big Table End Elevation

Legs for Standing Height Dual Sided Big Tables

Standing Height 42"

description	type	w	d	h	pattern no.	list
42" Standing Height Two Position End Leg for Dual Big Tables	For 24", 37" or 30"D Dual Big Tables	1"	50 1/2"	41"	YELDT50B	\$880.



(YELDT50 shown)

42" Standing Height End Leg for Dual Big Tables	For 24", 27" or 30"D Dual Big Tables	1"	50 1/2"	41"	YELDT50	828.
---	--------------------------------------	----	---------	-----	----------------	------



(YELDT50 shown)

42" Standing Height Inset Intermediate Leg for Dual Big Tables	For 24", 27" or 30"D Dual Big Tables	1"	35 1/2"	41"	YILDT35	1,025.
--	--------------------------------------	----	---------	-----	----------------	--------



(YILDT35 shown)

42" Support brace kit for standing height inset intermediate leg	For 24", 27" or 30"D Dual Big Tables	1"	20"	41"	YILDTB	410.
--	--------------------------------------	----	-----	-----	---------------	------



Ordering Information

Legs for Dual Big Tables

1. Pattern Number
2. Leg Paint Finish
3. Cradle Paint Finish

Order Code

Legs for Dual Big Tables

Example: **YELDT50, 118T, 118T**

YEL	End Leg
D	Dual Big Table
T	Standing Height
50	Depth
118T	Bright White Paint
118T	Bright White Paint

Included With

Legs for Dual Big Tables

- (2) Glides
- (4) Cradles
- Center Beam Support Brackets
- Attachment Hardware

Mid Span Support Leg

- Attachment Hardware
- Glide

Options

Legs for Dual Big Tables

All core painted finishes

Support Brace

All core painted finishes and Chrome

Legs for Standing Height Dual Sided Big Tables

Standing Height 42"

Antenna Workspaces

description	type	w	d	h	pattern no.	list
Support brace kit for standing height End Leg	For 24", 27" or 30"D Dual Big Tables	1"	20"	41"	YELDTB	\$237.



Ordering Information

Legs for Dual Big Tables

1. Pattern Number
2. Leg Paint Finish
3. Cradle Paint Finish

Order Code

Legs for Dual Big Tables

Example: **YELDT50, 118T, 118T**

YEL	End Leg
D	Dual Big Table
T	Standing Height
50	Depth
118T	Bright White Paint
118T	Bright White Paint

Included With

Legs for Dual Big Tables

(2) Glides
(4) Cradles
Center Beam Support Brackets
Attachment Hardware

Mid Span Support Leg

Attachment Hardware
Glide

Options

Legs for Dual Big Tables

All core painted finishes

Support Brace

All core painted finishes and
Chrome

Legs for Single Sided Big Tables

Planning Guidelines and Specifications

End legs for single sided big tables are 25" high inverted U-shape supports for use at the ends of single sided big table configurations. End legs include cradles, support bracket for the center beam and two levelers. Cradles are V-shape connectors with clamps that secure starter or extended rails to the leg and fasten the legs and rails to the top.

Intermediate legs for single sided big tables are shared between adjacent tops. Single sided intermediate legs include two cradles, two support brackets for center beams and two levelers.

Legs For Basic Single Sided Big Tables

End legs and intermediate legs for basic single sided big tables with 18" deep tops are 22" deep, set back 1 1/2" from the front edge.

End legs and intermediate legs for tables with tops that are 24", 27" or 30" deep are 28" deep, set back 1 1/2" from the front edge of 24" deep tops, 4 1/2" from the front of 27" deep tops, and 7 1/2" from the front of 30" deep tops. End legs and intermediate legs for basic big tables with 36" deep tops are 34" deep, and set back 7 1/2" from the front edge.

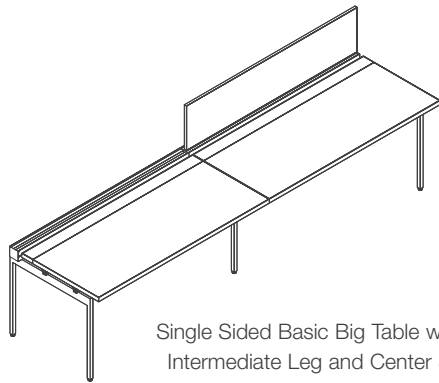
For big tables with tops deeper than 18", inset intermediate legs offer more kneespace than standard intermediate legs: inset intermediate legs 20" deep are recessed 9" from front edge

of 24" deep tops, 12" from front of 27" deep tops and 15" from front of 30" deep tops. Inset intermediate legs 26" deep are recessed 15" from front edge of 36" deep table tops.

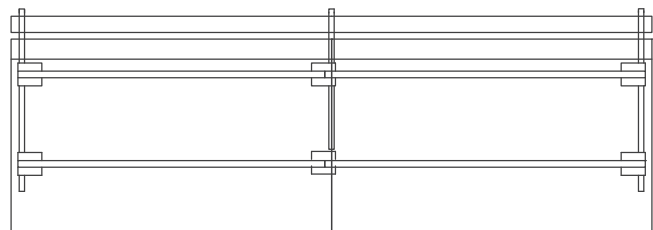
Overall depth of basic single sided big table is about 5 1/2" more than big table tops.

End legs can be positioned from 1 1/2" to 6" in from the end of a big table top. Intermediate legs or inset intermediate legs must be mounted directly under the joint of two tops.

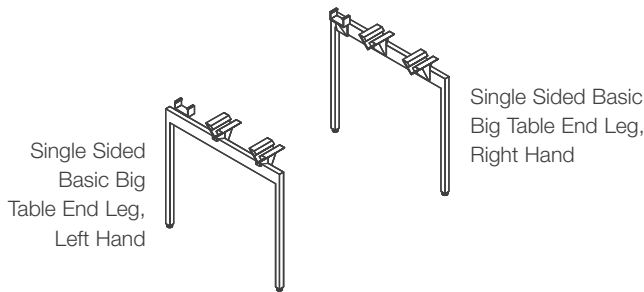
Note that stanchion mounted cabinets do not mount to center beam of basic single sided big tables. Specify the full back version of the single sided big table if stanchion mounted storage is required.



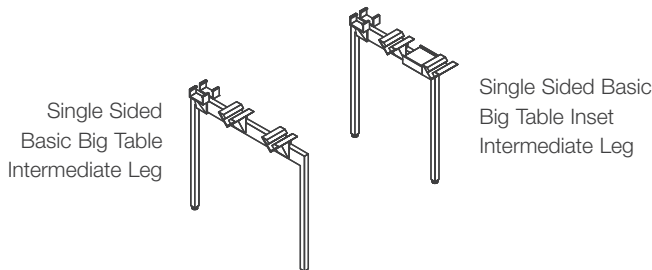
Single Sided Basic Big Table with Inset Intermediate Leg and Center Screen



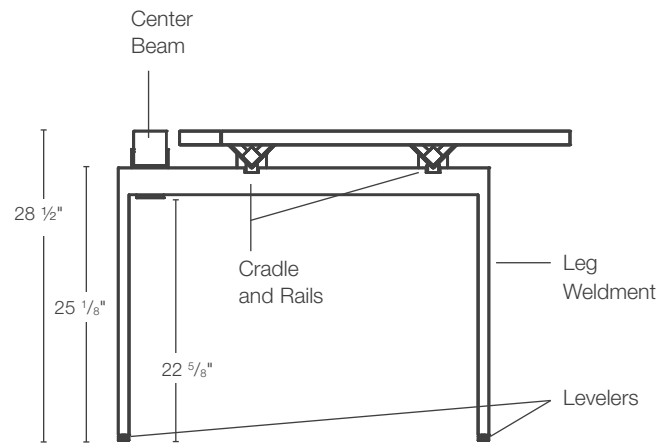
Plan View of Single Sided Basic Big Table



Center beam Bracket on Inner Side of End Leg



Center Beam Bracket on Both Sides of Intermediate Leg



Basic Single Sided Big Table End Elevation

Legs for Single Sided Big Tables

Planning Guidelines and Specifications

Legs For Full Back Single Sided Big Tables

End legs and intermediate legs for full back, single sided big tables with 18" deep tops are 28" deep, set back 1 1/2" from the front edge. End legs and intermediate legs for tables with tops that are 24", 27" or 30" deep are 34" deep, set back 1 1/2" from the front edge of 24" deep tops, 4 1/2" from the front of 27" deep tops, and 7 1/2" from the front of 30" deep tops. End legs and intermediate legs for basic big tables with 36" deep tops are 40" deep, and set back 7 1/2" from the front edge.

For big tables with tops deeper than 18", inset intermediate legs offer more kneespace than standard intermediate legs: inset intermediate legs 26 1/2" deep are recessed 9" from front edge of 24" deep tops, 12" from front of 27" deep tops and 15" from front of 30" deep tops. Inset intermediate legs 32 1/2" deep are recessed 15" from front edge of 36" deep tops.

Overall depth of full back single sided big tables is about 13" more than the big table tops.

End legs can be positioned from 1 1/2" to 6" in from the end of a big table top, or centered under the joint of a top and extension top. Intermediate legs or inset intermediate legs must be mounted directly under the joint of two tops.

Note that stanchion mounted cabinets mount on full back single sided big table center beam with storage stanchion supports, specified separately.

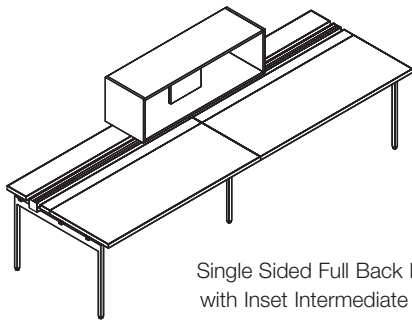
Construction

Big table end legs, intermediate legs and inset intermediate legs are steel weldments with 1" square legs and a 2 1/2" horizontal rail. Standard legs include 2 1/2" levelers with 3/8" stems and continuous 1 1/2" adjustment range for desk tops from 28 3/8" to 30" overall height. Adjustable legs include 5" levelers with 5/8" diameter stems and a continuous 3" adjustment range for desk tops from 27"-30" overall height.

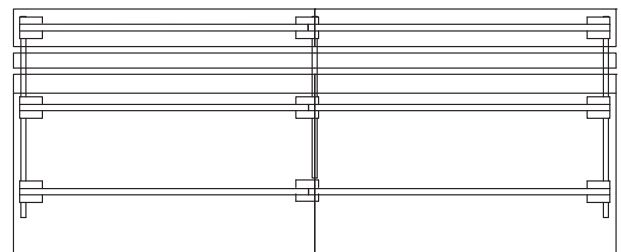
Cradles and clamps are cast aluminum with countersunk fasteners into legs, mating parts and tops.

Specifications Options

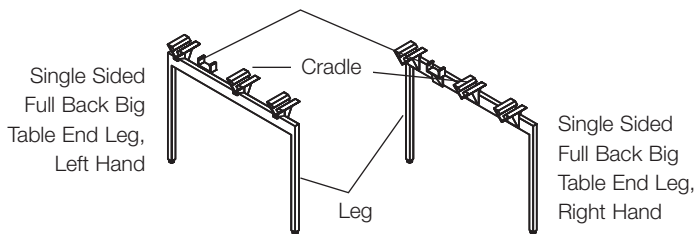
Big table end legs, intermediate legs and inset intermediate legs can be specified in any Knoll Core, Dark Red or Slate Blue paint finish. Specify cradle finish separately in any Knoll Core, Dark Red or Slate Blue paint finish.



Single Sided Full Back Big Table with Inset Intermediate Leg and Stanchion Mounted Open Cabinet



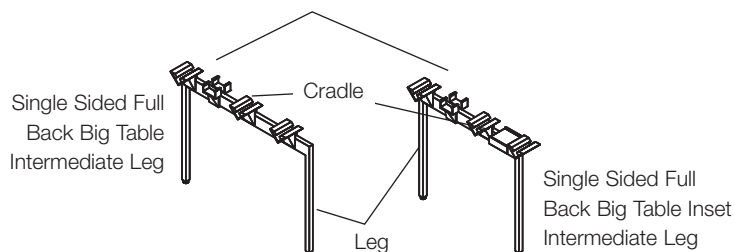
Plan View of Single Sided Full Back Big Table



Single Sided Full Back Big Table End Leg, Left Hand

Single Sided Full Back Big Table End Leg, Right Hand

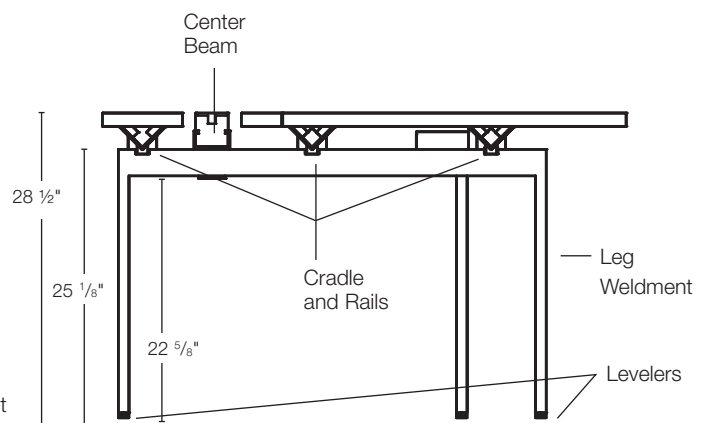
Center Beam Bracket on Inner Side of Leg



Single Sided Full Back Big Table Intermediate Leg

Single Sided Full Back Big Table Inset Intermediate Leg

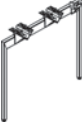



Center Beam Bracket on Both Sides of Leg



Full Back Single Sided Big Table End Elevation

Legs for Single Sided Big Tables

Desk Height, Basic

description	type	w	d	h	pattern no.	list
 Desk Height End Legs for Single Sided Basic Big Tables (Left Shown)	Left support for 18"D single sided big table	1"	22"	25"	YELSSDB22L	\$357.
	Left support for 24", 27" or 30"D single sided big table	1"	28"	25"	YELSSDB28L	373.
	Left support for 36"D single sided big table	1"	34"	25"	YELSSDB34L	387.
 Desk Height End Legs for Single Sided Basic Big Tables (Right Shown)	Right support for 18"D single sided big table	1"	22"	25"	YELSSDB22R	357.
	Right support for 24", 27" or 30"D single sided big table	1"	28"	25"	YELSSDB28R	373.
	Right support for 36"D single sided big table	1"	34"	25"	YELSSDB34R	387.
 Desk Height Intermediate Legs for Single Sided Basic Big Tables	For 18"D single sided big tables	1"	22"	25"	YILSSDB22	414.
	For 24", 27" or 30"D single sided big table	1"	28"	25"	YILSSDB28	430.
	For 36"D single sided big table	1"	34"	25"	YILSSDB34	444.
 Desk Height Inset Intermediate Legs for Single Sided Basic Big Tables	For 24", 27" or 30"D single sided big table	1"	20"	25"	YILSSDB20	481.
	For 36"D single sided big table	1"	26"	25"	YILSSDB26	497.

Desk and Table Support

Ordering Information	Order Code	Included With	Options
Legs for Single Big Tables 1. Pattern Number 2. Leg Paint Finish 3. Cradle Paint Finish	Legs for Single Side Big Tables <i>Example:</i> YELSSDB22L, 118T, 118T YEL End Leg SS Single Sided Big Table D Desk Height B Basic 22 Depth L Left Support 118T Bright White Paint 118T Bright White Paint	Legs for Single Side Big Tables (2) Glides (4) Cradles Center Beam Support Brackets Attachment Hardware	Legs for Single Side Big Tables

Legs for Single Sided Big Tables

Adjustable Height, Basic

description	type	w	d	h	pattern no.	list
Adjustable Height End Legs for Single Sided Basic Big Tables (Left Shown)	Left support for 18"D single sided big table	1"	22"	25 1/2" - 28 1/2"	YELSSAB22L	\$389.
	Left support for 24", 27" or 30"D single sided big table	1"	28"	25 1/2" - 28 1/2"	YELSSAB28L	405.
	Left support for 36"D single sided big table	1"	34"	25 1/2" - 28 1/2"	YELSSAB34L	419.



Adjustable Height End Legs for Single Sided Basic Big Tables (Right Shown)	Right support for 18"D single sided big table	1"	22"	25 1/2" - 28 1/2"	YELSSAB22R	389.
	Right support for 24", 27" or 30"D single sided big table	1"	28"	25 1/2" - 28 1/2"	YELSSAB28R	405.
	Right support for 36"D single sided big table	1"	34"	25 1/2" - 28 1/2"	YELSSAB34R	419.



Adjustable Height Intermediate Legs for Single Sided Basic Big Tables	For 18"D single sided big tables	1"	22"	25 1/2" - 28 1/2"	YILSSAB22	445.
	For 24", 27" or 30"D single sided big tables	1"	28"	25 1/2" - 28 1/2"	YILSSAB28	461.
	For 36"D single sided big tables	1"	34"	25 1/2" - 28 1/2"	YILSSAB34	475.



Adjustable Height Inset Intermediate Legs for Single Sided Basic Big Tables	For 24", 27" or 30"D single sided big tables	1"	20"	25 1/2" - 28 1/2"	YILSSAB20	512.
	For 36"D single sided big table	1"	26"	25 1/2" - 28 1/2"	YILSSAB26	528.



Ordering Information

Legs for Single Big Tables

1. Pattern Number
2. Leg Paint Finish
3. Cradle Paint Finish

Order Code

Legs for Single Side Big Tables

Example: **YELSSAB22L, 118T, 118T**

YEL	End Leg
SS	Single Sided Big Table
A	Adjustable Height
B	Basic
22	Depth
L	Left Support
118T	Bright White Paint
118T	Bright White Paint

Included With

Legs for Single Side Big Tables





- (2) Glides
- (4) Cradles
- Center Beam Support Brackets
- Attachment Hardware

Options

Legs for Single Side Big Tables

Legs for Single Sided Big Tables

Desk Height, Full Back

description	type	w	d	h	pattern no.	list
 Desk Height End Legs for Single Sided Full Back Big Tables (Left Shown)	Left support for 18"D single sided big table	1"	28"	25"	YELSSDF28L	\$408.
	Left support for 24", 27" or 30"D single sided big table	1"	34"	25"	YELSSDF34L	420.
	Left support for 36"D single sided big table	1"	40"	25"	YELSSDF40L	440.
 Desk Height End Legs for Single Sided Full Back Big Tables (Right Shown)	Right support for 18"D single sided big table	1"	28"	25"	YELSSDF28R	408.
	Right support for 24", 27" or 30"D single sided big table	1"	34"	25"	YELSSDF34R	420.
	Right support for 36"D single sided big table	1"	40"	25"	YELSSDF40R	440.
 Desk Height Intermediate Legs for Single Sided Full Back Big Tables	For 18"D single sided big tables	1"	28"	25"	YILSSDF28	457.
	For 24", 27" or 30"D single sided big table	1"	34"	25"	YILSSDF34	471.
	For 36"D single sided big table	1"	40"	25"	YILSSDF40	525.
 Desk Height Inset Intermediate Legs for Single Sided Full Back Big Tables	For 24", 27" or 30"D single sided big table	1"	26 1/2"	25"	YILSSDF26	521.
	For 36"D single sided big table	1"	32 1/2"	25"	YILSSDF32	535.


Desk and Table Support

Ordering Information	Order Code	Included With	Options
Legs for Single Big Tables 1. Pattern Number 2. Leg Paint Finish 3. Cradle Paint Finish	Legs for Single Side Big Tables <i>Example:</i> YELSSDF28L, 118T, 118T YEL End Leg SS Single Sided Big Table D Desk Height F Full Performance 28 Depth L Left Support 118T Bright White Paint 118T Bright White Paint	Legs for Single Side Big Tables (2) Glides (4) Cradles Center Beam Support Brackets Attachment Hardware	Legs for Single Side Big Tables


Legs for Single Sided Big Tables

Adjustable Height, Full Back


description	type	w	d	h	pattern no.	list
Adjustable Height End Legs for Single Sided Full Back Big Tables (Left Shown)	Left support for 18"D single sided big table	1"	28"	25 1/2" - 28 1/2"	YELSSAF28L	\$441.
	Left support for 24", 27" or 30"D single sided big table	1"	34"	25 1/2" - 28 1/2"	YELSSAF34L	454.
	Left support for 36"D single sided big table	1"	40"	25 1/2" - 28 1/2"	YELSSAF40L	474.




Adjustable Height End Legs for Single Sided Full Back Big Tables (Right Shown)	Right support for 18"D single sided big table	1"	28"	25 1/2" - 28 1/2"	YELSSAF28R	441.
	Right support for 24", 27" or 30"D single sided big table	1"	34"	25 1/2" - 28 1/2"	YELSSAF34R	454.
	Right support for 36"D single sided big table	1"	40"	25 1/2" - 28 1/2"	YELSSAF40R	474.



Adjustable Height Intermediate Legs for Single Sided Full Back Big Tables	For 18"D single sided big tables	1"	28"	25 1/2" - 28 1/2"	YILSSAF28	492.
	For 24", 27" or 30"D single sided big tables	1"	34"	25 1/2" - 28 1/2"	YILSSAF34	504.
	For 36"D single sided big tables	1"	40"	25 1/2" - 28 1/2"	YILSSAF40	525.



Adjustable Height Inset Intermediate Legs for Single Sided Full Back Big Tables	For 24", 27" or 30"D single sided big tables	1"	26 1/2"	25 1/2" - 28 1/2"	YILSSAF26	555.
	For 36"D single sided big table	1"	32 1/2"	25 1/2" - 28 1/2"	YILSSAF32	568.



Ordering Information	Order Code	Included With	Options
Legs for Single Big Tables	Legs for Single Side Big Tables	Legs for Single Side Big Tables	Legs for Single Side Big Tables
1. Pattern Number	<i>Example:</i> YELSSAF28L, 118T, 118T	(2) Glides	
2. Leg Paint Finish	YEL End Leg	(4) Cradles	
3. Cradle Paint Finish	SS Single Sided Big Table	Center Beam Support Brackets	
	A Adjustable Height	Attachment Hardware	
	F Full Performance		
	28 Depth		
	L Left Support		
	118T Bright White Paint		
	118T Bright White Paint		

Legs for C-Leg and T-Leg Tables

Planning Guidelines and Specifications

C-Leg and T-Leg table bases are designed for use with corresponding Antenna tops to create freestanding tables. Antenna tops designated for use with C-Leg and T-Leg table bases must be specified separately. Bases include hardware for mounting top to base.

C-Leg and T-Leg bases are available fixed height or height adjustable. All four height adjustable options are able to be adjusted by the user. Height adjustable options include: Pin-Set, Handcrank, Electric and Advanced Electric. Pin-Set bases adjust with the placement of a pin in each leg to create the appropriate height worksurface for each individual user. Handcrank table bases have a handle on the front of the table base underneath the top that turns to adjust the height of the table. Both types of electric bases have button controls on the front edge of the base underneath the top to adjust the top up and down.

23" deep C-Leg bases support rectangular tops up to 24" deep. 29" deep C-Leg bases support rectangular tops up to 30" deep. 29" deep T-Leg bases support rectangular tops up to 36" deep when centered over feet.

For power and data access, Dividends Horizon desktop power and data modules or Antenna Workspaces desktop outlet centers may be specified separately for use with C-Leg and T-Leg tables.

Dividends Horizon worksurface cable management baskets may be specified separately for use with C-Leg and T-Leg tables.

When privacy screens are required, Antenna Workspaces or Morrison Network privacy screens may be specified separately for use with C-Leg and T-Leg tables. When specifying Antenna Workspaces privacy screens for attachment to C-Leg and T-Leg tables, metal insert kits must be specified separately.

Construction

C-Leg and T-Leg base feet are a two piece construction with formed top and bottom plates made from 8 gauge steel. Feet include levelers with $\frac{3}{8}$ " height adjustability. The crossbars are 14 gauge formed steel "J" channels. Top plates are 13 gauge steel. Shroud is 20 gauge formed steel.

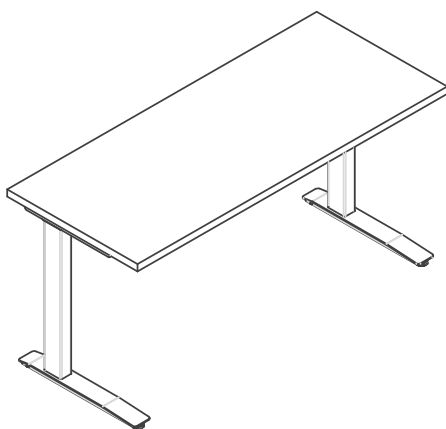
Power usage requirements for electric bases are 110 Volts, 60 Hertz. The power usage breakdown is 4 amp start-up draw, 3.5 amp running draw and zero energy shadow draw when motors not in use.

Specification Options

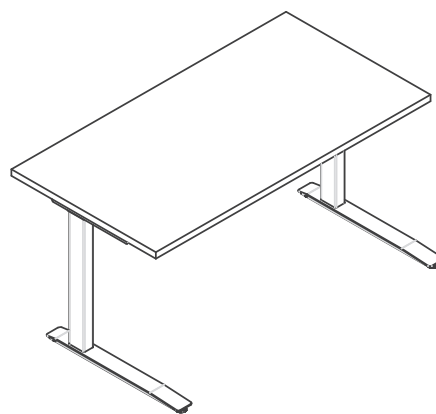
Base comes in Black (9005), Knoll Silver or Knoll Bright White paint finish. Optional lower leg shroud and feet can be specified in Knoll Core paint finishes.

Base Types	Fixed	Pin-Set	Handcrank	Electric	Advanced Electric
Height Range*	27"	22"-35"	22"-35"	27"-46 ½"	21"-47 ½"
Adjustment	N/A	1" increments	"5" turns per inch	1 ½" per second	1 ½" per second
Load Capacity	440 lbs.	440 lbs.	260 lbs.	300 lbs.	300 lbs.

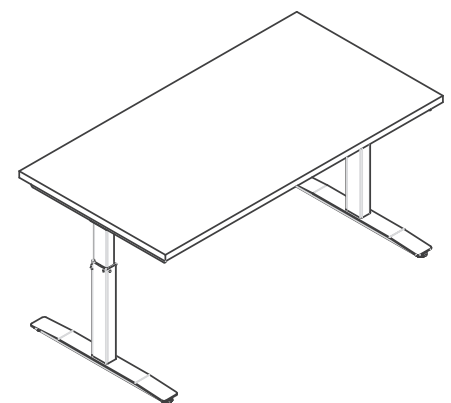
*Height ranges shown do not include top thickness



24"D x 60"W C-Leg Fixed Height Table




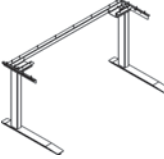
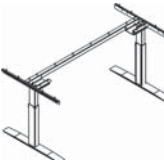
30"D x 60"W C-Leg Fixed Height Table



36"D x 60"W T-Leg Pin-Set Table

Legs for C-Leg and T-Leg Tables

Fixed Height and Height Adjustable



description	type	w*	w	d	pattern no.	Fixed (F)	Pin-Set (P)	Hand-crank (H)	Electric (E)	Advanced Electric (A)
	For use with 36"W, 24"D Antenna C-Leg Top	36"	34"	23"	YUBC3423()	\$955.	\$1,273.	\$1,909.	\$3,316.	\$3,491.
	For use with 42"W, 24"D Antenna C-Leg Top	42"	40"	23"	YUBC4023()	955.	1,273.	1,909.	3,316.	3,491.
	For use with 48"W, 24"D Antenna C-Leg Top	48"	46"	23"	YUBC4623()	955.	1,273.	1,909.	3,316.	3,491.
	For use with 54"W, 24"D Antenna C-Leg Top	54"	52"	23"	YUBC5223()	955.	1,273.	1,909.	3,316.	3,491.
	For use with 60"W, 24"D Antenna C-Leg Top	60"	58"	23"	YUBC5823()	955.	1,273.	1,909.	3,316.	3,491.
	For use with 66"W, 24"D Antenna C-Leg Top	66"	64"	23"	YUBC6423()	977.	1,295.	1,932.	3,338.	3,514.
	For use with 72"W, 24"D Antenna C-Leg Top	72"	70"	23"	YUBC7023()	977.	1,295.	1,932.	3,338.	3,514.
<i>Fixed Shown</i>										
	For use with 36"W, 30"D Antenna C-Leg Top	36"	34"	29"	YUBC3429()	1,000.	1,318.	1,955.	3,360.	3,536.
	For use with 42"W, 30"D Antenna C-Leg Top	42"	40"	29"	YUBC4029()	1,000.	1,318.	1,955.	3,360.	3,536.
	For use with 48"W, 30"D Antenna C-Leg Top	48"	46"	29"	YUBC4629()	1,000.	1,318.	1,955.	3,360.	3,536.
	For use with 54"W, 30"D Antenna C-Leg Top	54"	52"	29"	YUBC5229()	1,000.	1,318.	1,955.	3,360.	3,536.
	For use with 60"W, 30"D Antenna C-Leg Top	60"	58"	29"	YUBC5829()	1,000.	1,318.	1,955.	3,360.	3,536.
	For use with 66"W, 30"D Antenna C-Leg Top	66"	64"	29"	YUBC6429()	1,023.	1,341.	1,977.	3,381.	3,559.
	For use with 72"W, 30"D Antenna C-Leg Top	72"	70"	29"	YUBC7029()	1,023.	1,341.	1,977.	3,381.	3,559.
<i>Fixed Shown</i>										
	For use with 48"W, 30" or 36"D Antenna T-Leg Top	48"	46"	29"	YUBT4629()	1,000.	1,318.	1,955.	3,360.	3,536.
	For use with 54"W, 30" or 36"D Antenna T-Leg Top	54"	52"	29"	YUBT5229()	1,000.	1,318.	1,955.	3,360.	3,536.
	For use with 60"W, 30" or 36"D Antenna T-Leg Top	60"	58"	29"	YUBT5829()	1,000.	1,318.	1,955.	3,360.	3,536.
	For use with 66"W, 30" or 36"D Antenna T-Leg Top	66"	64"	29"	YUBT6429()	1,023.	1,341.	1,977.	3,381.	3,559.
	For use with 72"W, 30" or 36"D Antenna T-Leg Top	72"	70"	29"	YUBT7029()	1,023.	1,341.	1,977.	3,381.	3,559.
<i>Pin-Set Shown</i>										

w* = nominal width

Ordering Information	Order Code	Included With	Options
C-Leg and T-Leg Bases 1. Pattern Number 2. Base Type 3. Shroud Option 4. Base Finish 5. Shroud/Feet Paint Finish (optional)	C-Leg and T-Leg Bases <i>Example:</i> YUBC5829HS, 9005, 613 YUB Universal Base C C-Leg 58 Width 29 Depth H Handcrank S Shroud 9005 Black Base Finish 613 Shroud/Feet Paint Finish	C-Leg and T-Leg Bases Mounting hardware Shrouds (optional)	C-leg and T-Leg Bases Base Type Options: (F) = Fixed (27" High) (P) = Pin-Set (22" - 35" High) (H) = Handcrank (22" - 35" High) (E) = Electric (27" - 46 1/2" High) (A) = Advanced Electric (21" - 47 1/2" High) Shroud Option: Add an 'S' suffix to the pattern number to specify a painted shroud for the lower leg with matching foot and add \$100 to the list price. Add an 'N' suffix to specify a leg without a shroud. Base Option: (9005) Black paint (613) Silver paint (118) Bright White paint

Legs for C-Leg and T-Leg Tables

Fixed Height and Height Adjustable

description	type	w	d	h	pattern no.	list
Electric Table Memory Switch with Digital Display 	For use with Electric C-Leg and T-Leg bases	5"	.75"	1"	SISDDPS	\$375.
Locking Casters, Set of 4 	For use with C-Leg and T-Leg bases	2"	2"	1.5"	SISLC4	50.
Insert Kit, Antenna Privacy Screen	To attach Antenna Workspaces Privacy Screens to C-Leg and T-Leg worksurfaces				SISAWDSIK	25.

Ordering Information	Order Code	Included With	Options
C-Leg and T-Leg Bases	Example: SISDDPS	C-Leg and T-Leg Bases	C-Leg and T-Leg Bases
1. Pattern Number	SIS Universal Base DDPS Electric Table Memory Switch with Digital Display		

Modesty Panels for Desks or Returns

Planning Guidelines and Specifications

Modesty panels enable full width, recessed or flush enclosure under Antenna desks, returns or bridge top applications and can also be planned for use with end panels. Modesty panels are suspended from the desktop and available in half height or full height versions. In both heights, modesty panels can be specified with or without a 1 1/4" high cord passage at the top to enable wire management or clamp-on accessories like Sapper monitor arms or desktop outlet center.

Half height modesty panels for desks start 10 1/2" above the floor, aligning with suspended files. Both modesty heights typically correspond in width to desk tops and are available in 6" wide increments from 36" to 84". Modesty panels include two or three brackets to the underside of a desktop and offset brackets to secure the inside of the panel to the back of Antenna desk and legs. Offset brackets define a 3/4" space between the inside of the panel and the back edge of the desk end legs.

When planning a desk with a modesty panel that is flush with the front edge of the top, specify standard depth desk end legs, actual depth is 3" less than the top depth. Modesty panels without a cord passage that are flush with the front edge of a desk top should not be planned in combination with Overlay tops.

When planning a modesty panel that is recessed 3" or 6" from the front edge of the top, specify legs that correspond to a top that is 3" or 6" less deep, actual leg depth is 6" or 9" less than the top depth. For example, a desk top 30" deep can be specified with 24" or 21" deep standard desk end leg to enable the modesty panel to be recessed 3" or 6" from the front edge of the top.

Modesty panels are not designed to be used in combination with table desk end legs.

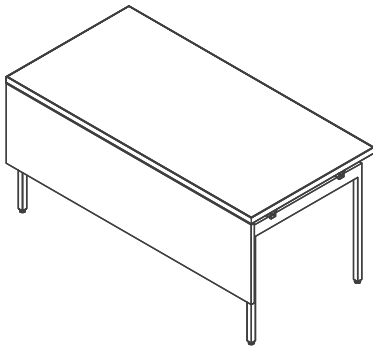
Modesty panel brackets do not deface the legs and may be added or removed without disassembling the desk.

Construction

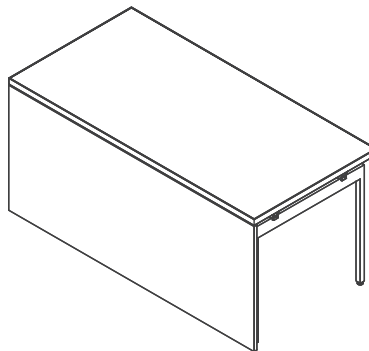
Modesty panels are 3/4" thick veneer, laminate or painted wood and include steel and cast aluminum brackets.

Specification Options

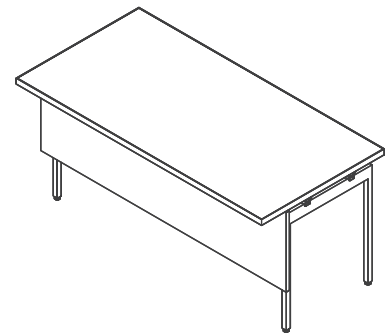
Specify modesty panels in any Knoll Core paint finish, solid and pattern laminate or veneer. Brushed Sand (122) and Brushed Grey (123) are not available on modesty panels. Specify bracket color in any Knoll Core paint finish.



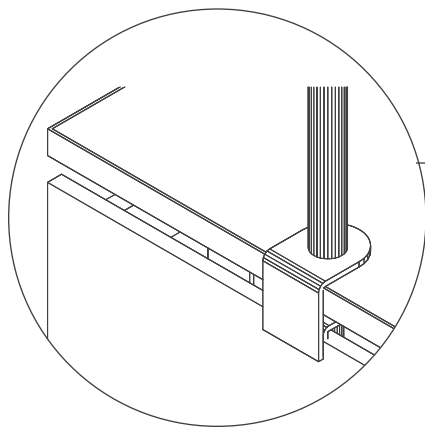
Desk with Partial Height Modesty Panel



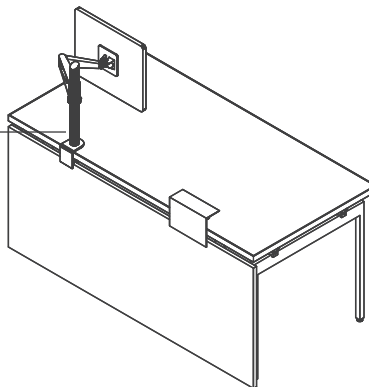
Desk with Full Height Modesty Panel



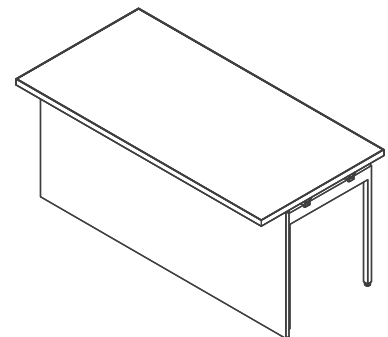
Desk with Recessed Partial Height Modesty Panel



Sapper Monitor Arm Desk Clamp with Modesty Panel Cord Passage



Desk with Full Height Modesty Panel with Cord Passage





Desk with Recessed Full Height Modesty Panel

Modesty Panels for Desks or Returns

Half Height

Painted, Laminate or Veneer

description	type	w	d	h	pattern no.	Painted (P)	Laminate (L)	V1 (V)	V2 (V)	V3 (V)
 Modesty Panels for Desks or Returns, Half Height	For 36" Wide Tops	36"	3/4"	16 7/8"	YMP1736()	\$246.	\$269.	\$588.	\$676.	\$879.
	For 42" Wide Tops	42"	3/4"	16 7/8"	YMP1742()	253.	275.	607.	698.	908.
	For 48" Wide Tops	48"	3/4"	16 7/8"	YMP1748()	258.	296.	630.	726.	943.
	For 54" Wide Tops	54"	3/4"	16 7/8"	YMP1754()	263.	302.	654.	752.	978.
	For 60" Wide Tops	60"	3/4"	16 7/8"	YMP1760()	309.	386.	701.	806.	1,048.
	For 66" Wide Tops	66"	3/4"	16 7/8"	YMP1766()	348.	425.	720.	828.	1,077.
	For 72" Wide Tops	72"	3/4"	16 7/8"	YMP1772()	353.	431.	740.	851.	1,106.
	For 78" Wide Tops	78"	3/4"	16 7/8"	YMP1778()	359.	436.	767.	883.	1,148.
	For 84" Wide Tops	84"	3/4"	16 7/8"	YMP1784()	364.	441.	786.	905.	1,176.

 Modesty Panels for Desks or Returns, Half Height with Cord Passage	For 36" Wide Tops	36"	3/4"	15 7/8"	YMP1636()	246.	269.	588.	676.	879.
	For 42" Wide Tops	42"	3/4"	15 7/8"	YMP1642()	253.	275.	607.	698.	908.
	For 48" Wide Tops	48"	3/4"	15 7/8"	YMP1648()	258.	296.	630.	726.	943.
	For 54" Wide Tops	54"	3/4"	15 7/8"	YMP1654()	263.	302.	654.	752.	978.
	For 60" Wide Tops	60"	3/4"	15 7/8"	YMP1660()	309.	386.	701.	806.	1,048.
	For 66" Wide Tops	66"	3/4"	15 7/8"	YMP1666()	348.	425.	720.	828.	1,077.
	For 72" Wide Tops	72"	3/4"	15 7/8"	YMP1672()	353.	431.	740.	851.	1,106.
	For 78" Wide Tops	78"	3/4"	15 7/8"	YMP1678()	359.	436.	767.	883.	1,148.
	For 84" Wide Tops	84"	3/4"	15 7/8"	YMP1684()	364.	441.	786.	905.	1,176.


Desk and Table Support


Ordering Information	Order Code	Included With	Options
Modesty Panels for Desks or Returns 1. Pattern Number 2. Surface Finish 3. Bracket Paint Finish	Modesty Panels for Desks or Returns <i>Example:</i> YMP1748P, 118T, 118T YMP Modesty Panel 17 Height 48 Width P Paint 118T Bright White Paint 118T Bright White Paint	Modesty Panels for Desks or Returns Attachment brackets Hardware	Modesty Panels for Desks or Returns Finish Options: (P) = Painted (L) = Laminate (V) = Veneer

Modesty Panels for Desks or Returns

Full Height

Painted, Laminate or Veneer

description	type	w	d	h	pattern no.	Painted (P)	Laminate (L)	V1 (V)	V2 (V)	V3 (V)
Modesty Panels for Desks or Returns, Full Height 	For 36" Wide Tops	36"	3/4"	26 1/2"	YMP2736()	\$265.	\$334.	\$657.	\$756.	\$982.
	For 42" Wide Tops	42"	3/4"	26 1/2"	YMP2742()	274.	343.	685.	787.	1,023.
	For 48" Wide Tops	48"	3/4"	26 1/2"	YMP2748()	283.	350.	720.	829.	1,078.
	For 54" Wide Tops	54"	3/4"	26 1/2"	YMP2754()	291.	357.	748.	861.	1,120.
	For 60" Wide Tops	60"	3/4"	26 1/2"	YMP2760()	341.	483.	812.	936.	1,216.
	For 66" Wide Tops	66"	3/4"	26 1/2"	YMP2766()	382.	525.	842.	969.	1,259.
	For 72" Wide Tops	72"	3/4"	26 1/2"	YMP2772()	391.	533.	869.	1,000.	1,300.
	For 78" Wide Tops	78"	3/4"	26 1/2"	YMP2778()	400.	540.	906.	1,041.	1,354.
	For 84" Wide Tops	84"	3/4"	26 1/2"	YMP2784()	408.	548.	934.	1,073.	1,395.

Modesty Panels for Desks or Returns, Full Height with Cord Passage 	For 36" Wide Tops	36"	3/4"	26 1/2"	YMP2636()	265.	334.	657.	756.	982.
	For 42" Wide Tops	42"	3/4"	26 1/2"	YMP2642()	274.	343.	685.	787.	1,023.
	For 48" Wide Tops	48"	3/4"	26 1/2"	YMP2648()	283.	350.	720.	829.	1,078.
	For 54" Wide Tops	54"	3/4"	26 1/2"	YMP2654()	291.	357.	748.	861.	1,120.
	For 60" Wide Tops	60"	3/4"	26 1/2"	YMP2660()	341.	483.	812.	936.	1,216.
	For 66" Wide Tops	66"	3/4"	26 1/2"	YMP2666()	382.	525.	842.	969.	1,259.
	For 72" Wide Tops	72"	3/4"	26 1/2"	YMP2672()	391.	533.	869.	1,000.	1,300.
	For 78" Wide Tops	78"	3/4"	26 1/2"	YMP2678()	400.	540.	906.	1,041.	1,354.
	For 84" Wide Tops	84"	3/4"	26 1/2"	YMP2684()	408.	548.	934.	1,073.	1,395.

Ordering Information

Modesty Panels for Desks or Returns

1. Pattern Number
2. Surface Finish
3. Bracket Paint Finish

Order Code

Modesty Panels for Desks or Returns

Example: **YMP2748P, 118T, 118T**

YMP	Modesty Panel
27	Height
48	Width
P	Paint
118T	Bright White Paint
118T	Bright White Paint

Included With

Modesty Panels for Desks or Returns

Attachment brackets
Hardware

Options

Modesty Panels for Desks or Returns

Finish Options:
(P) = Painted
(L) = Laminate
(V) = Veneer

Back Panels for Single Sided Big Tables

Planning Guidelines and Specifications

Back panels provide full enclosure on the back side of a single sided big table, from the underside of the top to within an inch above the floor. Back panels are available in 6" increments of width from 48" to 84" and should be specified in the same width as the top above.

Back panels can be planned with or without single sided big table end panels.

Back panel brackets do not deface the legs and may be added or removed without disassembling the big table.

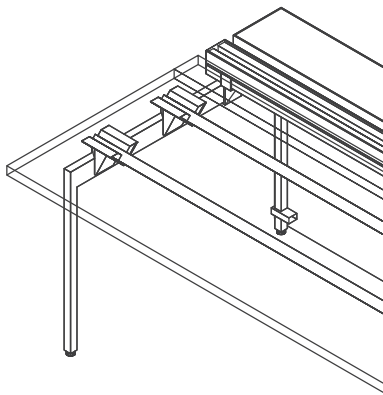
Construction

Back panels are 3/4" thick veneer, laminate or painted wood. Back panels include two or three top attachment brackets and brackets that secure the bottom of the back panel to

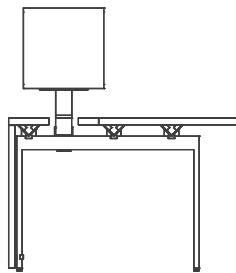
the back of the big table end or intermediate legs. Brackets are steel and cast aluminum.

Specification Options

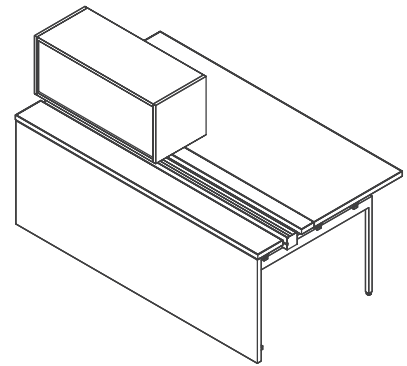
Specify back panels in any Knoll Core paint finish, solid and pattern laminate or veneer. Brushed Sand (122) and Brushed Grey (123) are not available on back panels. Specify bracket



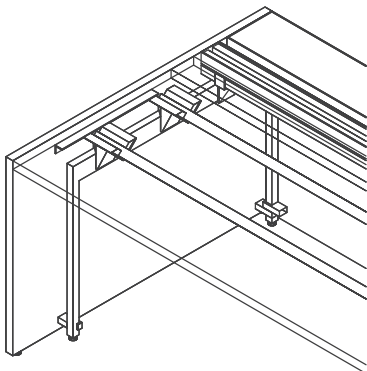
Single Sided Big Table with Back Panel



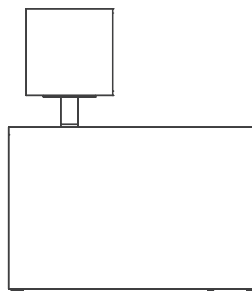
Single Sided Big Table with Back Panel End Elevation



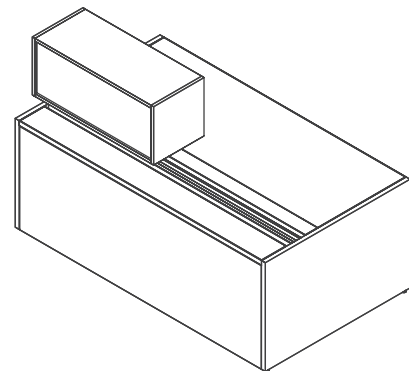
Single Sided Big Table with Back Panel



Single Sided Big Table with Back Panel and End Panel



Single Sided Big Table with Back Panel and End Panel End Elevation




Single Sided Big Table with Back Panel and End Panel End Elevation

Back Panels for Single Sided Big Tables

Full Performance

Painted, Laminate or Veneer

description	type	w	d	h	pattern no.	Painted (P)	Laminate (L)	V1 (V)	V2 (V)	V3 (V)
Back Panels for Single Sided Big Table, Full Performance 	For 48" Wide Tops	48"	3/4"	27"	YBPSSF2748()	\$283.	\$350.	\$720.	\$829.	\$1,078.
	For 54" Wide Tops	54"	3/4"	27"	YBPSSF2754()	291.	357.	748.	861.	1,120.
	For 60" Wide Tops	60"	3/4"	27"	YBPSSF2760()	341.	483.	812.	936.	1,216.
	For 66" Wide Tops	66"	3/4"	27"	YBPSSF2766()	382.	525.	842.	969.	1,259.
	For 72" Wide Tops	72"	3/4"	27"	YBPSSF2772()	391.	533.	869.	1,000.	1,300.
	For 78" Wide Tops	78"	3/4"	27"	YBPSSF2778()	400.	540.	906.	1,041.	1,354.
	For 84" Wide Tops	84"	3/4"	27"	YBPSSF2784()	408.	548.	934.	1,073.	1,395.

Ordering Information

Back Panels for Single Sided Big Tables

1. Pattern Number
2. Surface Finish
3. Bracket Paint Finish

Order Code

Back Panels for Single Sided Tables

Example: **YBPSSF2748P, 118T, 118T**

YBP	Back Panel
SS	Single Sided Big Table
F	Full Performance
27	Height
48	Width
P	Paint
118T	Bright White Paint
118T	Bright White Paint

Included With

Back Panels for Single Sided Big Tables

Attachment brackets
Hardware

Options

Back Panels for Single Sided Big Tables

Finish Options:

(P) = Painted
(L) = Laminate
(V) = Veneer

End Panels

For Desks or Returns

Planning Guidelines and Specifications

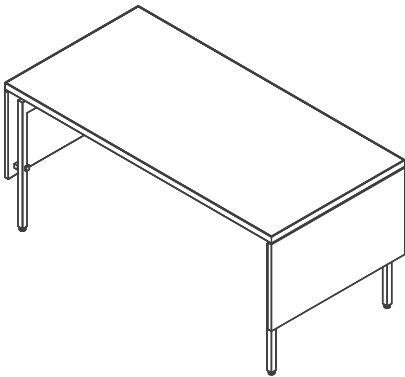
End panels for desks can be planned with modesty panels or independently to add enclosure below Antenna desk tops. End panels are added outside the standard Antenna desk structure and do not touch the floor. End panels are available in half height or full height versions.

END PANELS DO NOT TAKE THE PLACE OF END LEGS OR PROVIDE SUPPORT.

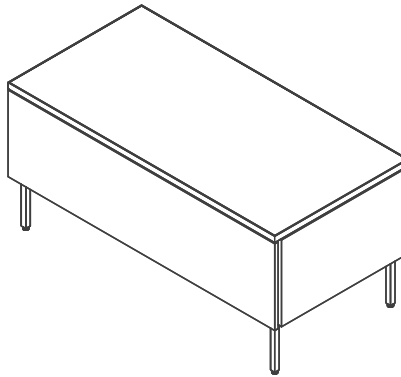
Half height versions start 10" above the floor, aligning with suspended files. In both heights, end panels can be specified with or without a 1 1/4" high cord passage at the top to enable wire management or clamp-on accessories like Sapper monitor arms or desktop power center.

End panels used independently, without a modesty panel, are full depth to match desk tops 18", 24", 27", 30" or 36" deep.

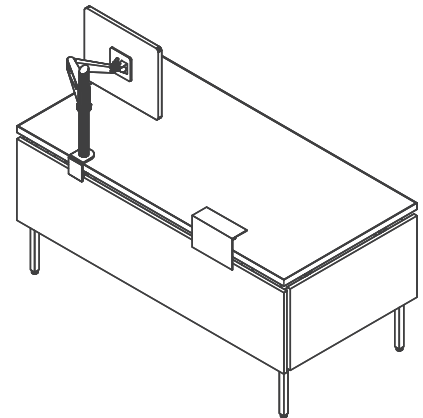
End panels for Antenna desks with modesty enclose the end of a desk in combination with a modesty panel. End panels for use in combination with an overlapping modesty panel are 1 1/2" less deep than the standard top depth. End panels are designed to be flush with the end and front edge of a desk top and align with the back edge of the desk end leg.



Desk with Partial Height End Panel

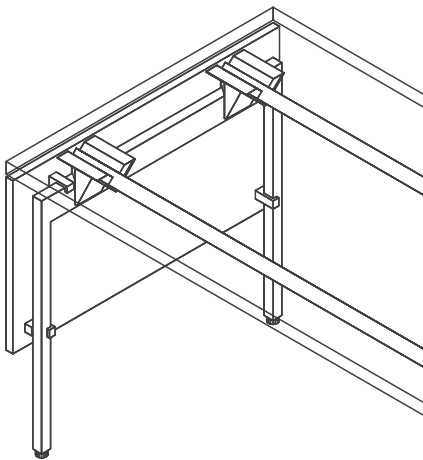


Desk with Partial Height End and Modesty Panel

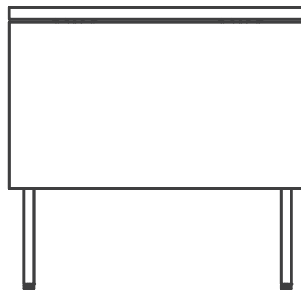


Desk with Partial Height End and Modesty Panel with Cord Passage

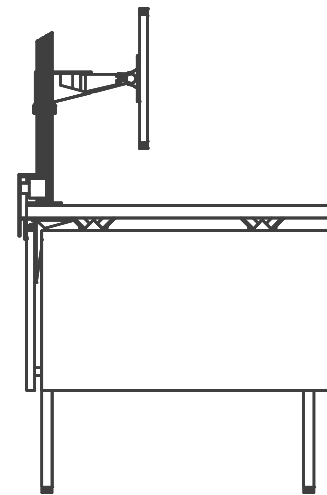
Desk and Table Support



Desk with Partial Height End Panel



Desk with Partial Height End Panel Elevation



Desk with Partial Height End and Modesty Panel with Cord Passage Elevation

End Panels

For Desks or Returns

Planning Guidelines and Specifications

End panels include two brackets over the top of an adjacent end leg and offset brackets to secure the inside of the panel to the side of the leg. Offset brackets define a 3/4" space between the end panel and the side of the desk end legs. When installed together there is a 3/4" reveal between the end panel and the inside of the modesty. End panels require a standard desk end leg positioned 1 1/2" from end of desk top for support.

Because of crisp edge details, desk end panels should not be planned in combination with radius corner Overlay tops, but can be planned with crisp corner "Benching" type Overlay tops.

End panels are not designed to be used in combination with table desk end legs.

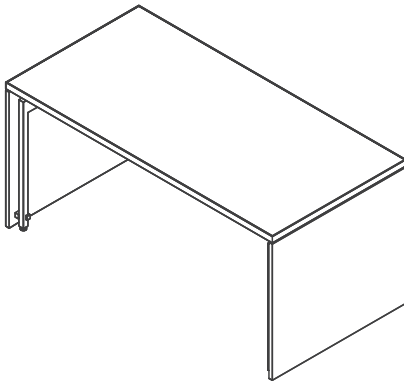
End panel brackets do not deface the legs and may be added or removed without disassembling the desk.

Construction

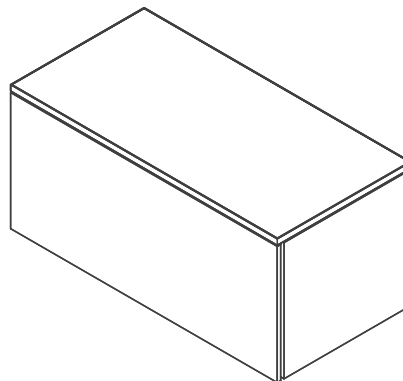
End panels are 3/4" thick veneer, laminate, or painted wood and include steel and cast aluminum brackets.

Specification Options

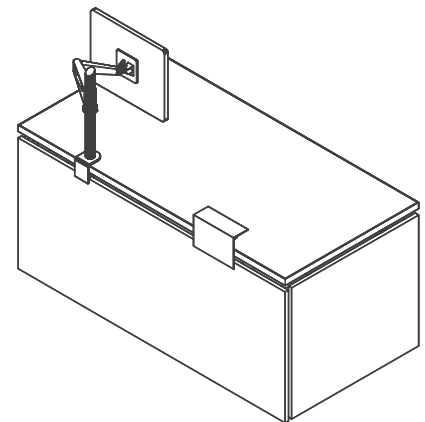
Specify end panels in any Knoll Core paint finish, solid and pattern laminate or veneer. Brushed Sand (122) and Brushed Grey (123) are not available on end panels 60" and wider. Also, specify bracket color in any Knoll Core paint finish.



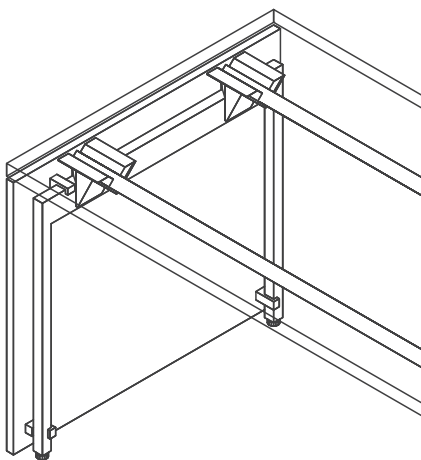
Desk with Full Height End Panel



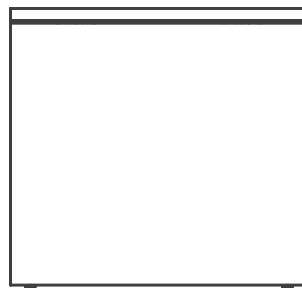
Desk with Full Height End and Modesty Panel



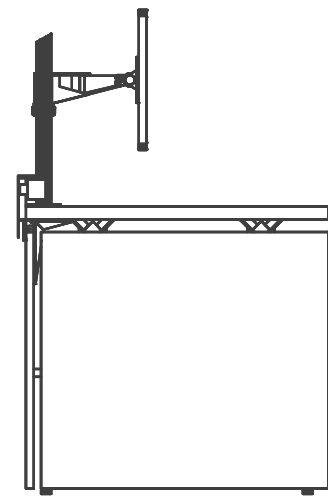
Desk with Full Height End and Modesty Panel with Cord Passage



Desk with Full Height End Panel



Desk with Full Height End Panel Elevation





Desk with Full Height End and Modesty Panel with Cord Passage Elevation


End Panels


Half Height for Desks or Returns

Painted, Laminate or Veneer

description	type	w	d	h	pattern no.	Painted (P)	Laminate (L)	V1 (V)	V2 (V)	V3 (V)
 End Panels for Desks or Returns, Half Height	For 18" Deep Tops	18"	3/4"	16 7/8"	YEP1718()	\$177.	\$174.	\$516.	\$593.	\$772.
	For 24" Deep Tops	24"	3/4"	16 7/8"	YEP1724()	182.	183.	543.	625.	812.
	For 27" Deep Tops	27"	3/4"	16 7/8"	YEP1727()	185.	186.	560.	644.	837.
	For 30" Deep Tops	30"	3/4"	16 7/8"	YEP1730()	188.	202.	568.	653.	849.
	For 36" Deep Tops	36"	3/4"	16 7/8"	YEP1736()	194.	216.	587.	675.	877.

 End Panels for Desks or Returns, Half Height for use with Modesty Panels	For 18" Deep Tops	16 1/2"	3/4"	16 7/8"	YEP1717()	177.	174.	523.	601.	781.
	For 24" Deep Tops	22 1/2"	3/4"	16 7/8"	YEP1723()	182.	183.	541.	623.	809.
	For 27" Deep Tops	25 1/2"	3/4"	16 7/8"	YEP1726()	186.	187.	561.	645.	838.
	For 30" Deep Tops	28 1/2"	3/4"	16 7/8"	YEP1729()	188.	189.	574.	660.	860.
	For 36" Deep Tops	34 1/2"	3/4"	16 7/8"	YEP1735()	194.	204.	593.	682.	887.

 End Panels for Desks or Returns, Half Height with Cord Passage	For 18" Deep Tops	18"	3/4"	15 7/8"	YEP1618()	177.	174.	516.	593.	772.
	For 24" Deep Tops	24"	3/4"	15 7/8"	YEP1624()	182.	183.	543.	625.	812.
	For 27" Deep Tops	27"	3/4"	15 7/8"	YEP1627()	185.	186.	560.	644.	837.
	For 30" Deep Tops	30"	3/4"	15 7/8"	YEP1630()	188.	202.	568.	653.	849.
	For 36" Deep Tops	36"	3/4"	15 7/8"	YEP1636()	194.	216.	587.	675.	877.

 End Panels for Desks or Returns, Half Height with Modesty Panels	For 18" Deep Tops	16 1/2"	3/4"	15 7/8"	YEP1617()	177.	174.	523.	601.	781.
	For 24" Deep Tops	22 1/2"	3/4"	15 7/8"	YEP1623()	182.	183.	541.	623.	809.
	For 27" Deep Tops	25 1/2"	3/4"	15 7/8"	YEP1626()	186.	187.	561.	645.	838.
	For 30" Deep Tops	28 1/2"	3/4"	15 7/8"	YEP1629()	188.	189.	574.	660.	860.
	For 36" Deep Tops	34 1/2"	3/4"	15 7/8"	YEP1635()	194.	216.	593.	682.	887.

Desk and Table Support

Ordering Information

End Panels for Desks or Returns

1. Pattern Number
2. Surface Finish
3. Bracket Paint Finish

Order Code

End Panels for Desks or Returns

<i>Example:</i> YEP1724P, 118T, 118T	
YEP	End Panel
17	Height
24	Width
P	Paint
118T	Bright White Paint
118T	Bright White Paint

Included With

End Panels for Desks or Returns
Attachment brackets
Hardware

Options

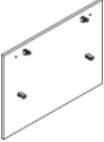
End Panels for Desks or Returns

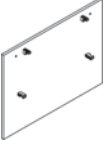
Finish Options:
(P) = Painted
(L) = Laminate
(V) = Veneer

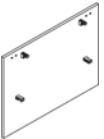
End Panels

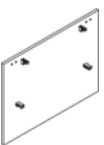
Full Height for Desks or Returns

Painted, Laminate or Veneer

description	type	w	d	h	pattern no.	Painted (P)	Laminate (L)	V1 (V)	V2 (V)	V3 (V)
 End Panels for Desks or Returns, Full Height	For 18" Deep Tops	18"	3/4"	26 1/2"	YEP2718()	\$186.	\$200.	\$553.	\$637.	\$828.
	For 24" Deep Tops	24"	3/4"	26 1/2"	YEP2724()	195.	215.	590.	679.	884.
	For 27" Deep Tops	27"	3/4"	26 1/2"	YEP2727()	199.	219.	603.	694.	904.
	For 30" Deep Tops	30"	3/4"	26 7/8"	YEP2730()	203.	240.	628.	722.	940.
	For 36" Deep Tops	36"	3/4"	26 1/2"	YEP2736()	212.	247.	655.	755.	980.

 End Panels for Desks or Returns, Full Height for use with Modesty Panels	For 18" Deep Tops	16 1/2"	3/4"	26 1/2"	YEP2717()	186.	200.	559.	643.	834.
	For 24" Deep Tops	22 1/2"	3/4"	26 1/2"	YEP2723()	195.	208.	586.	674.	876.
	For 27" Deep Tops	25 1/2"	3/4"	26 1/2"	YEP2726()	199.	219.	609.	701.	912.
	For 30" Deep Tops	28 1/2"	3/4"	26 1/2"	YEP2729()	203.	223.	623.	716.	932.
	For 36" Deep Tops	34 1/2"	3/4"	26 1/2"	YEP2735()	212.	266.	653.	751.	976.

 End Panels for Desks or Returns, Full Height with Cord Passage	For 18" Deep Tops	18"	3/4"	25 1/2"	YEP2618()	186.	200.	553.	637.	828.
	For 24" Deep Tops	24"	3/4"	25 1/2"	YEP2624()	195.	215.	590.	679.	884.
	For 27" Deep Tops	27"	3/4"	25 1/2"	YEP2627()	199.	219.	603.	694.	904.
	For 30" Deep Tops	30"	3/4"	25 1/2"	YEP2630()	203.	240.	628.	722.	940.
	For 36" Deep Tops	36"	3/4"	25 1/2"	YEP2636()	212.	247.	659.	755.	980.

 End Panels for Desks or Returns, Full Height with Cord Passage for use with Modesty Panels	For 18" Deep Tops	16 1/2"	3/4"	25 1/2"	YEP2617()	186.	200.	559.	643.	834.
	For 24" Deep Tops	22 1/2"	3/4"	25 1/2"	YEP2623()	195.	208.	586.	674.	876.
	For 27" Deep Tops	25 1/2"	3/4"	25 1/2"	YEP2626()	199.	219.	609.	701.	912.
	For 29" Deep Tops	28 1/2"	3/4"	25 1/2"	YEP2629()	203.	223.	623.	716.	932.
	For 36" Deep Tops	34 1/2"	3/4"	25 1/2"	YEP2635()	212.	266.	653.	751.	976.

Ordering Information

End Panels for Desks or Returns

1. Pattern Number
2. Surface Finish
3. Bracket Paint Finish

Order Code

End Panels for Desks or Returns

Example: **YEP2724P, 118T, 118T**

YEP	End Panel
27	Height
24	Width
P	Paint
118T	Bright White Paint
118T	Bright White Paint

Included With

End Panels for Desks or Returns
Attachment brackets
Hardware

Options

End Panels for Desks or Returns

Finish Options:
(P) = Painted
(L) = Laminate
(V) = Veneer

End Panels

For Back to Back Desks

Planning Guidelines and Specifications

End panels are also available in widths to enclose the end of back-to-back desks, which sit below the front edges of both tops. End panels are added outside the standard Antenna desk structure and do not touch the floor.

END PANELS DO NOT TAKE THE PLACE OF END LEGS OR PROVIDE SUPPORT.

End panels are available in half height or full height versions. Half height versions start 10" above the floor, aligning with suspended files.

End panels are full depth to match back-to-back desks using 18", 24", 27", 30" or 36" deep tops. Overall depths equal 40", 52", 58" and 64".

End panels include two brackets over the top of an adjacent end leg and offset brackets to secure the inside of the panel to the side of the leg. Offset brackets define a 3/4" space between the end panel and the side of the desk end legs.

End panels require a standard back-to-back desk end leg positioned 1 1/2" from end of desk top for support.

Because of crisp edge details, desk end panels should not be planned in combination with radius corner Overlay tops, but can be planned with crisp corner "Benching" type Overlay tops.

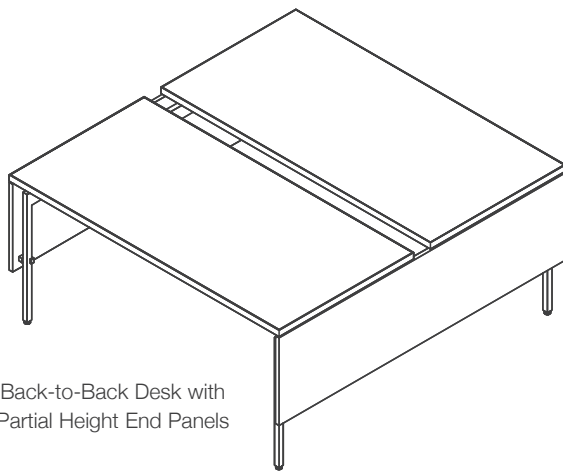
End panel brackets do not deface the legs and may be added or removed without disassembling the desk.

Construction

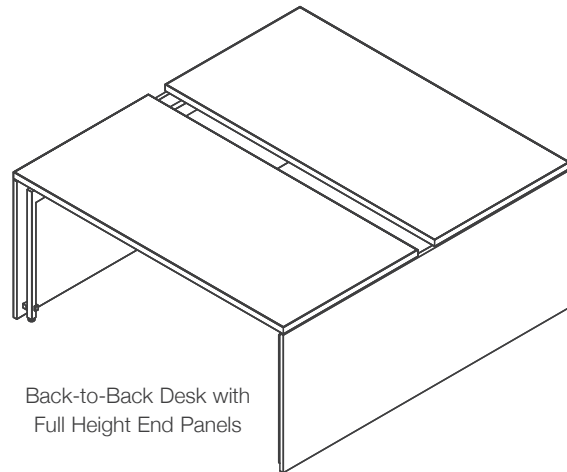
End panels are 3/4" thick veneer, laminate, or painted wood and include steel and cast aluminum brackets.

Specification Options

Specify end panels in any Knoll Core paint finish, solid and pattern laminate or veneer. Brushed Sand (122) and Brushed Grey (123) are not available on end panels 60" and wider. Also, specify bracket color in any Knoll Core paint finish.



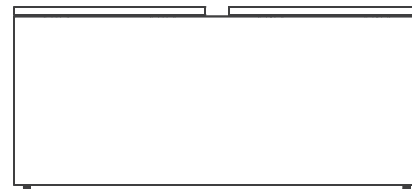
Back-to-Back Desk with Partial Height End Panels



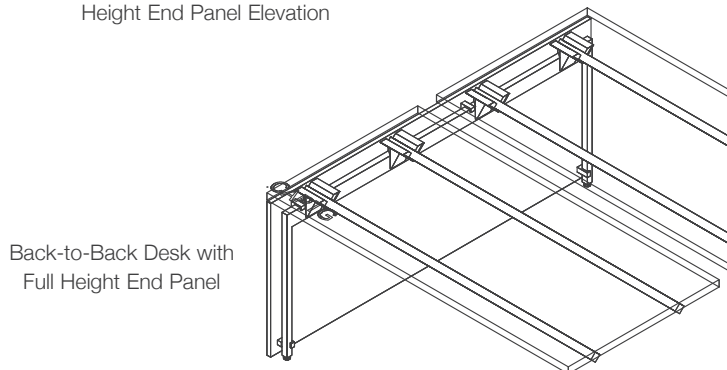
Back-to-Back Desk with Full Height End Panels



Back-to-Back Desk with Partial Height End Panel Elevation



Back-to-Back Desk with Full Height End Panel Elevation




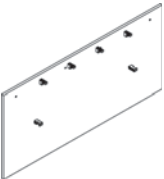
Back-to-Back Desk with Full Height End Panel

End Panels

For Back to Back Desks

Painted, Laminate or Veneer

description	type	w	d	h	pattern no.	Painted (P)	Laminate (L)	V1 (V)	V2 (V)	V3 (V)
End Panels for Back to Back Desks, Half Height 	For 18" Deep Back to Back Tops	39 ³ / ₄ "	³ / ₄ "	16 ⁷ / ₈ "	YEP1740()	\$253.	\$253.	\$612.	\$704.	\$915.
	For 24" Deep Back to Back Tops	51 ³ / ₄ "	³ / ₄ "	16 ⁷ / ₈ "	YEP1752()	263.	278.	657.	757.	983.
	For 27" Deep Back to Back Tops	57 ³ / ₄ "	³ / ₄ "	16 ⁷ / ₈ "	YEP1758()	268.	284.	677.	778.	1,012.
	For 30" Deep Back to Back Tops	63 ³ / ₄ "	³ / ₄ "	16 ⁷ / ₈ "	YEP1764()	274.	356.	723.	832.	1,082.
	For 36" Deep Back to Back Tops	75 ³ / ₄ "	³ / ₄ "	16 ⁷ / ₈ "	YEP1776()	285.	368.	761.	875.	1,136.

End Panels for Back to Back Desks, Full Height 	For 18" Deep Back to Back Tops	39 ³ / ₄ "	³ / ₄ "	25 ⁷ / ₈ "	YEP2640()	273.	304.	685.	787.	1,023.
	For 24" Deep Back to Back Tops	51 ³ / ₄ "	³ / ₄ "	25 ⁷ / ₈ "	YEP2652()	290.	333.	748.	862.	1,120.
	For 27" Deep Back to Back Tops	57 ³ / ₄ "	³ / ₄ "	25 ⁷ / ₈ "	YEP2658()	299.	343.	777.	893.	1,161.
	For 30" Deep Back to Back Tops	63 ³ / ₄ "	³ / ₄ "	25 ⁷ / ₈ "	YEP2664()	307.	369.	832.	957.	1,245.
	For 36" Deep Back to Back Tops	75 ³ / ₄ "	³ / ₄ "	25 ⁷ / ₈ "	YEP2676()	325.	468.	896.	1,031.	1,340.

Ordering Information

End Panels for Back to Back Desks

1. Pattern Number
2. Surface Finish
3. Bracket Paint Finish

Order Code

End Panels for Back to Back Desks

Example: **YEP1752P, 118T, 118T**

YEP	End Panel
17	Height
52	Width
P	Paint
118T	Bright White Paint
118T	Bright White Paint

Included With

End Panels for Back to Back Desks

Attachment brackets
Hardware

Options

End Panels for Back to Back Desks

Finish Options:
(P) = Painted
(L) = Laminate
(V) = Veneer

End Panels

For Dual and Single Sided Big Tables

Planning Guidelines and Specifications

End panels are also available in widths to enclose the end of dual and single sided big tables, which align with the end of the desk and the front edges of the tops. End panels are added outside the standard Antenna desk structure, which adds 1 1/2" to the overall width of the big table.

END PANELS DO NOT TAKE THE PLACE OF END LEGS OR PROVIDE TABLE SUPPORT.

End panels for big table enclose the end of a big table, from the floor up to the top of the desk tops and center beam. End panels do not take the place of end legs or provide support; they simply attach to the outside of big table end legs. End panels serve the same purpose as center beam end caps, so end caps do not need to be specified.

End panels are full depth to match dual sided big tables using 18", 24", 27", 30" or 36" deep tops on either side of a center beam. Single sided big tables include a full depth 18", 24", 27", 30" or 36" deep top on the primary side of the center beam and a 7 1/2" deep top on the back side of the center beam. End panels are available full depth to match the depth of single sided big tables. Big table end panels are 28 1/2" high, so the top of the end panel is flush with the desk top.

End panels include two leveling glides and brackets for attachment to the adjacent tops and big table end leg. An end panel uses two brackets for attachment over the top of an adjacent end leg and offset brackets to secure the inside of the panel to the side of the leg.

End panels require a standard big table end leg positioned 1 1/2" from end of desk top for support.

Because of crisp edge details, big end panels should not be planned in combination with radius corner Overlay tops, but can be planned with crisp corner "Benching" type Overlay tops.

End panel brackets do not deface the legs and may be added or removed without disassembling the desk.

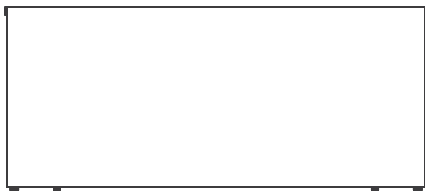
Construction

End panels are 3/4" thick veneer, laminate or painted wood and include steel and cast aluminum brackets.

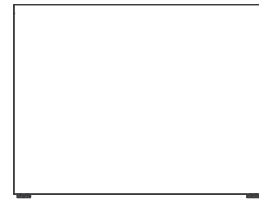
Specification Options

Specify end panels in any Knoll Core paint finish, solid and pattern laminate or veneer. Brushed Sand (122) and Brushed Grey (123) are not available on end panels 60" and wider. Also, specify brackets in any Knoll Core paint finish.

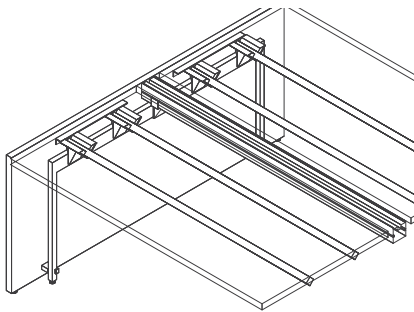
Desk and Table Support



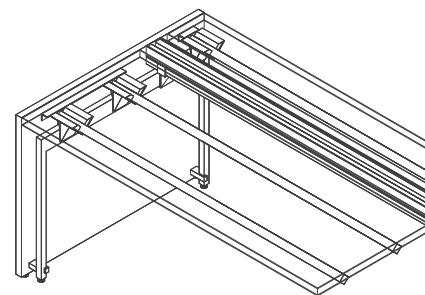
Dual Sided Big Table with End Panels Elevation



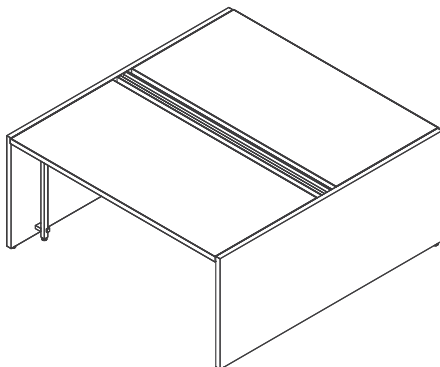
Single Sided Big Table with End Panels End Elevation



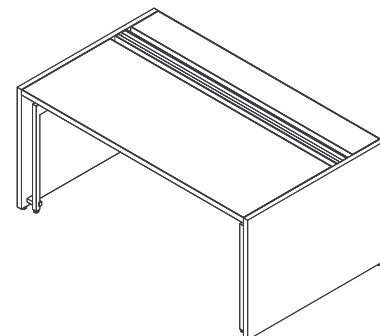
Dual Sided Big Table with End Panels Detail



Single Sided Big Table with End Panels Detail



Dual Sided Big Table with End Panels





Single Sided Big Table with End Panels


End Panels

For Dual and Single Sided Big Tables

Painted, Laminate or Veneer

description	type	w	d	h	pattern no.	Painted (P)	Laminate (L)	V1 (V)	V2 (V)	V3 (V)
End Panels for Dual Sided Big Tables, Full Height 	For 18"D Dual Sided Big Tables	41 1/2"	1 1/8"	28 1/2"	YEP2841	\$366.	\$369.	\$707.	\$812.	\$1,057.
	For 24"D Dual Sided Big Tables	53 1/2"	1 1/8"	28 1/2"	YEP2853	414.	421.	829.	953.	1,239.
	For 27"D Dual Sided Big Tables	59 1/2"	1 1/8"	28 1/2"	YEP2859	430.	452.	861.	989.	1,285.
	For 30"D Dual Sided Big Tables	65 1/2"	1 1/8"	28 1/2"	YEP2865	446.	463.	903.	1,037.	1,348.
	For 36"D Dual Sided Big Tables	77 1/2"	1 1/8"	28 1/2"	YEP2877	480.	579.	924.	1,063.	1,435.

End Panels for Single Sided Big Tables, Left Hand 	For 18"D Single Sided Big Tables	31"	1 1/8"	28 1/2"	YEPSSF2831L	345.	348.	682.	785.	1,021.
	For 24"D Single Sided Big Tables	37"	1 1/8"	28 1/2"	YEPSSF2837L	361.	368.	715.	822.	1,068.
	For 27"D Single Sided Big Tables	40"	1 1/8"	28 1/2"	YEPSSF2840L	368.	374.	731.	840.	1,091.
	For 30"D Single Sided Big Tables	43"	1 1/8"	28 1/2"	YEPSSF2843L	376.	378.	747.	860.	1,117.
	For 36"D Single Sided Big Tables	49"	1 1/8"	28 1/2"	YEPSSF2849L	392.	405.	789.	908.	1,179.

End Panels for Single Sided Big Tables, Right Hand 	For 18"D Single Sided Big Tables	31"	1 1/8"	28 1/2"	YEPSSF2831R	345.	348.	682.	785.	1,021.
	For 24"D Single Sided Big Tables	37"	1 1/8"	28 1/2"	YEPSSF2837R	361.	368.	715.	822.	1,068.
	For 27"D Single Sided Big Tables	40"	1 1/8"	28 1/2"	YEPSSF2840R	368.	374.	731.	840.	1,091.
	For 30"D Single Sided Big Tables	43"	1 1/8"	28 1/2"	YEPSSF2843R	376.	378.	747.	860.	1,117.
	For 36"D Single Sided Big Tables	49"	1 1/8"	28 1/2"	YEPSSF2849R	392.	405.	789.	908.	1,179.

Ordering Information

End Panels For Big Tables

1. Pattern Number
2. Surface Finish
3. Bracket Finish

Order Code

End Panels For Big Tables

Example: **YEP2853P, 118T, 118T**

YEP	End Panel
28	Height
53	Width
118T	Bright White Paint
118T	Bright White Paint

Included With

End Panels For Big Tables

Attachment brackets
Hardware

Options

End Panels For Big Tables

Finish Options:

(P) = Painted
(L) = Laminate
(V) = Veneer

End Panels

For Standing Height Dual Big Tables

Laminate or Veneer

description	type	w	d	h	pattern no.	Painted (P)	Laminate (L)	V1 (V)	V2 (V)	V3 (V)
End Panels for Standing Height Dual Sided Big Tables 36"H	For 18"D Dual Sided Big Tables	41 1/2"	1 1/8"	36 1/2"	YEPH3641	\$459.	\$494.	\$919.	\$1,022.	\$1,575.
	For 24"D Dual Sided Big Tables	53 1/2"	1 1/8"	36 1/2"	YEPH3653	507.	531.	990.	1,116.	1,808.
	For 27"D Dual Sided Big Tables	59 1/2"	1 1/8"	36 1/2"	YEPH3659	530.	683.	1,076.	1,213.	1,976.
	For 30"D Dual Sided Big Tables	65 1/2"	1 1/8"	36 1/2"	YEPH3665	554.	699.	1,111.	1,259.	2,093.



End Panels for Standing Height Dual Sided Big Tables 42"H	For 24"D Dual Sided Big Tables	53 1/2"	1 1/8"	42"	YEPT4253	540.	626.	1,088.	1,230.	2,017.
	For 27"D Dual Sided Big Tables	59 1/2"	1 1/8"	42"	YEPT4259	567.	706.	1,127.	1,281.	2,150.
	For 30"D Dual Sided Big Tables	65 1/2"	1 1/8"	42"	YEPT4265	595.	722.	1,178.	1,346.	2,293.



Ordering Information

End Panels For Big Tables

1. Pattern Number
2. Surface Finish
3. Bracket Finish

Order Code

End Panels For Big Tables

Example: **YEP2853P, 118T, 118T**

YEP End Panel

28 Height

53 Width

118T Bright White Paint

118T Bright White Paint

Included With

End Panels For Big Tables

Attachment brackets
Hardware

Options

End Panels For Big Tables

Finish Options:

(P) = Painted
(L) = Laminate
(V) = Veneer

Enclave End Panels

For Dual Sided Big Tables

Planning Guidelines and Specifications

Enclave end panels enclose the end of dual sided big tables from the floor to a 42" or 49" horizon to align with center screens, or 56"h, tall enough to enclose the back of a large TV.

End panels do not take the place of end legs or provide table support.

Center beam end cap is not required.

End panels are full depth to match dual sided big tables with 18", 24", 27", 30" or 36" deep tops on either side of a center beam.

End panels include two leveling glides and brackets for attachment to the adjacent tops and fixed height big table end leg.

End panels require a standard big table end leg positioned 1 1/2" from end of desk top for support.

Enclave end panels can be planned in combination with standard Antenna or Overlay tops.

End panel brackets do not deface the legs and may be added or removed without disassembling the desk.

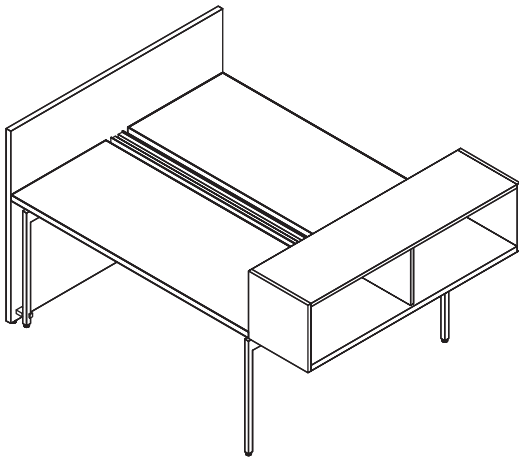
Construction

End panels are 1 1/8" thick laminate or veneer and include steel brackets to the tops and cast aluminum brackets to the leg.

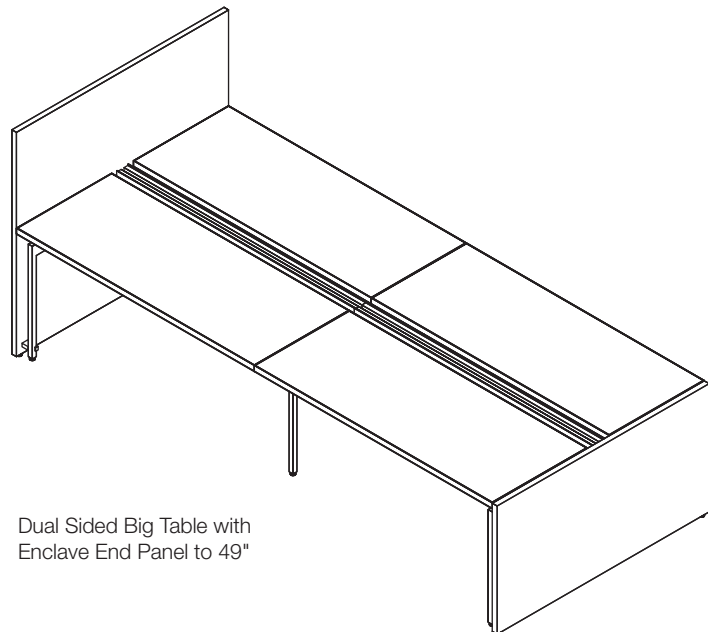
Veneer end panels 48" and taller are in two pieces with centered vertical seam and additional steel stiffener bracket.

Specification Options

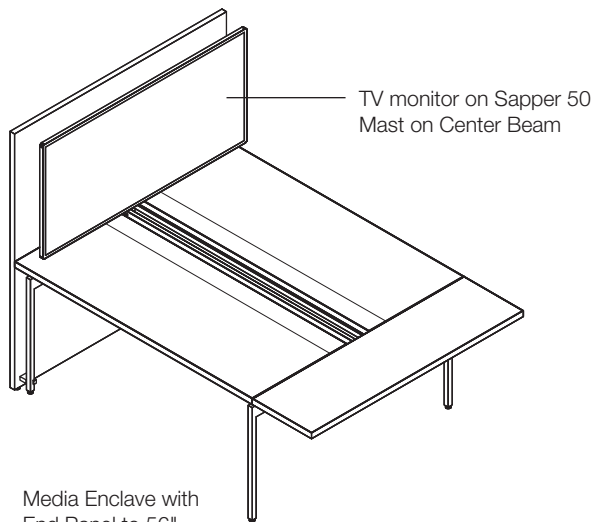
Specify end panels in any Knoll Core, solid and pattern laminate or veneer. Brushed Sand (122) and Brushed Grey (123) are not available on end panels 60" and wider. Specify brackets in any Knoll Core paint finish.



Dual Sided Big Table with Enclave End Panel to 42"



Dual Sided Big Table with Enclave End Panel to 49"



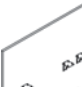
Media Enclave with End Panel to 56"

TV monitor on Sapper 50 Mast on Center Beam

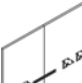
Enclave End Panels

For Dual Sided Big Tables

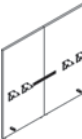
Laminate or Veneer

description	type	w	d	h	pattern no.	Laminate		V1 (V)	V2 (V)	V3 (V)
						(L)	(LM)			
	For 24" D Dual Sided Big Table	53 1/2"	1 1/8"	42"	YEP4253()	\$792.	\$792.	\$1,004.	\$1,154.	\$1,961.
	For 27" D Dual Sided Big Table	59 1/2"	1 1/8"	42"	YEP4259()	1,268.	1,268.	1,418.	1,631.	2,774.
	For 30" D Dual Sided Big Table	65 1/2"	1 1/8"	42"	YEP4265()	1,289.	1,289.	1,444.	1,660.	2,822.
	For 36" D Dual Sided Big Table	77 1/2"	1 1/8"	42"	YEP4277()	1,320.	1,320.	1,516.	1,744.	2,965.

(YEP5659(L/V) shown)

	For 24" D Dual Sided Big Table	53 1/2"	1 1/8"	49"	YEP4953()	818.	1,035.	1,475.	1,697.	2,882.
	For 27" D Dual Sided Big Table	59 1/2"	1 1/8"	49"	YEP4959()	1,294.	1,294.	1,692.	1,946.	3,307.
	For 30" D Dual Sided Big Table	65 1/2"	1 1/8"	49"	YEP4965()	1,314.	1,314.	1,749.	2,013.	3,421.
	For 36" D Dual Sided Big Table	77 1/2"	1 1/8"	49"	YEP4977()	1,356.	1,356.	1,858.	2,137.	3,633.

(YEP5659V shown)

	For 24" D Dual Sided Big Table	53 1/2"	1 1/8"	56"	YEP5653()	844.	1,061.	1,703.	1,956.	3,322.
	For 27" D Dual Sided Big Table	59 1/2"	1 1/8"	56"	YEP5659()	1,325.	1,325.	1,780.	2,049.	3,483.
	For 30" D Dual Sided Big Table	65 1/2"	1 1/8"	56"	YEP5665()	1,346.	1,346.	1,837.	2,111.	3,591.

(YEP5659V shown)

Desk and Table Support

Ordering Information

Enclave End Panels For Big Tables

1. Pattern Number
2. Surface Finish
3. Bracket Finish

Order Code

Enclave End Panels For Big Tables

Example: **YEP5653L, M, 118T**

YEP Enclave End Panel

56 Height

53 Width

L Laminate

M Markerboard

118T Bright White Paint

Included With

Enclave End Panels For Big Tables

Attachment brackets
Hardware

Options

Enclave End Panels For Big Tables

Finish Options:

(L) = Laminate
(V) = Veneer

Installation Gauge

The installation gauge is a tool used to help create accurate, consistent Antenna Workspaces installations. The tool can be used in four different ways while installing Antenna Workspaces desks or big tables. (See drawings below)

Application #1

The most common application for the installation gauge is for use when positioning the top over the rails. The V cutout in the installation gauge sits snug to the side of the rail, while the edge of the top tab aligns with the front edge of the desk top. The designed distance from the front edge of the top to the centerline of the rail is 6 5/8".

This side of the installation gauge can also be used to position the rails over pedestals and when connecting to Fence.

Application #2

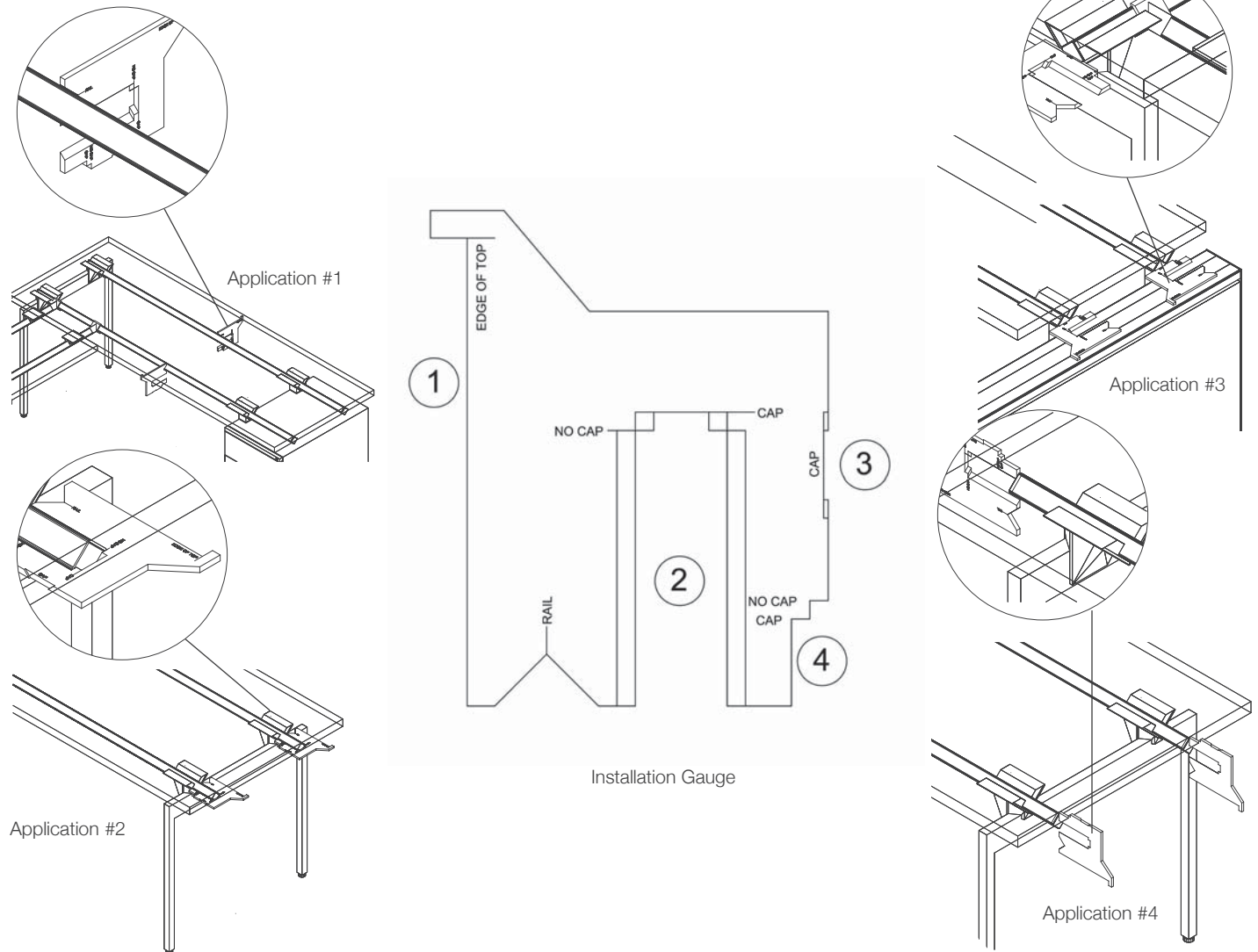
The installation gauge can also be used to position the desk end leg assemblies in the correction location in relation to the end of a rail. Desk end legs are designed to be inset 5 1/2" from the end of the desk top. In this application, the recessed part of the gauge sits up against the end of a rail (with or without the end cap) and the end of the gauge sits against the outside edge of the cradle. This can also be used for big table applications when extension tops or cabinets are not specified.

Application #3

The rail end cap is designed to sit proud of the cradle by approximately 1/16", so that the end of the rail and leg are 1 1/2" from the end of the top. The installation gauge is used to accurately space the outside of the rail end cap to the outside edge of the cradle. This must be used when the leg is placed 1 1/2" from the edge of the top, such as when a bridge or return is to be used to ensure the correct placement for the bridge or return rails.

Application #4

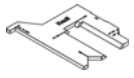
The installation gauge can also be used to correctly position the top over the width of the rails. This will ensure that you have the desired 1 1/2" distance between the end of the rail (with no end cap) and the end edge of the top.



Sales and Installation Tools

Installation Gauge

description	type	pattern no.	list
Installation Gauge	Package of 5	YBIG	\$23.



Ordering Information	Order Code	Included With	Options
Legs for Dual Big Tables	Installation Gauge		
1. Pattern Number	<i>Example:</i> YBIG		
	YB Antenna		
	IG Installation Gauge		

Electrical Components for Antenna Desks and Big Tables

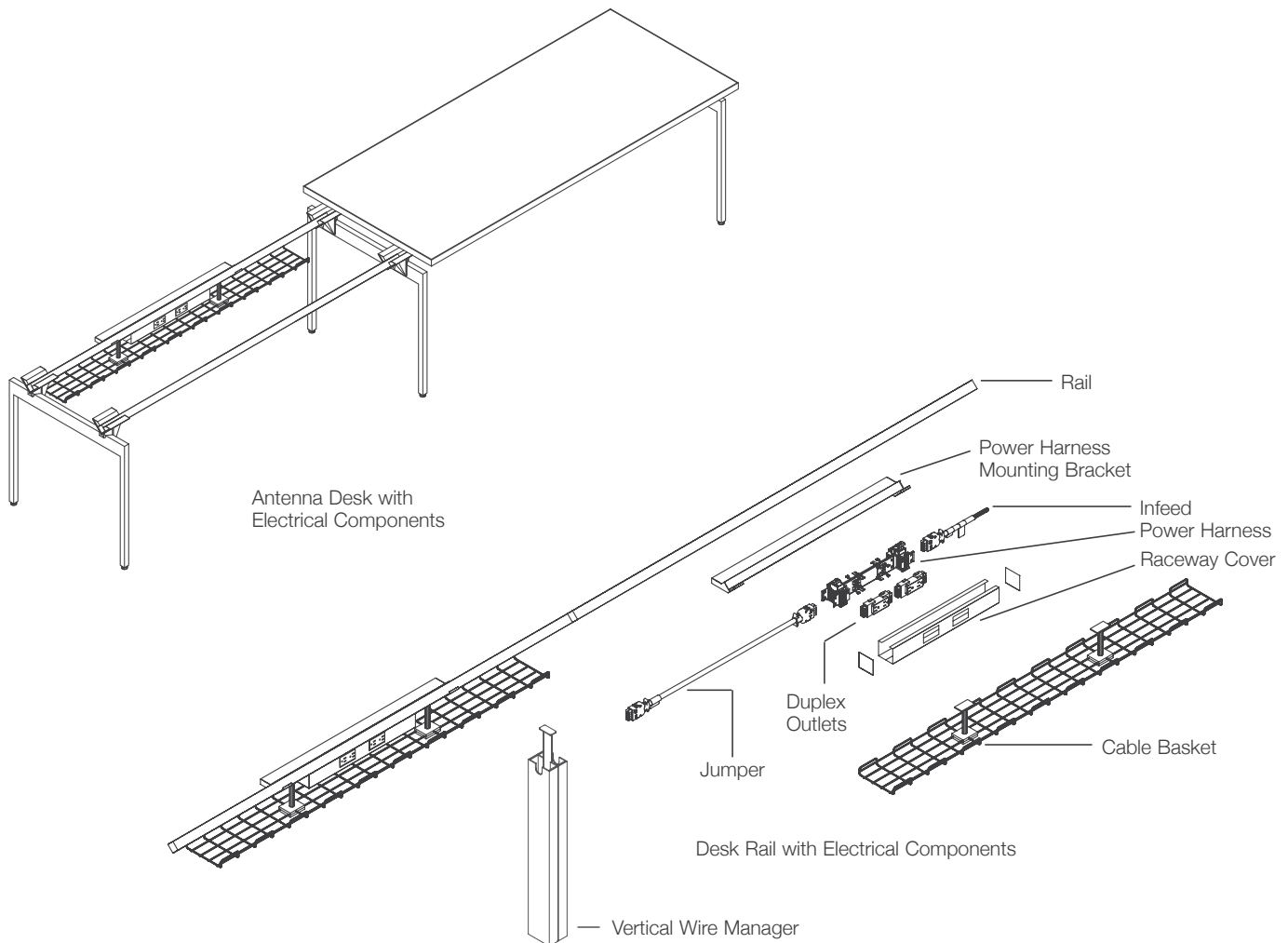
Antenna linked desks and big tables can be powered by a modular distribution system featuring standard Knoll 2+2 and 3+3 eight- and ten-wire power systems. From a single point of connection to the building power supply, Antenna raceway can distribute four or six 20-amp circuits. Depending on national and local electric codes, and the anticipated load of a particular application, each circuit may support as many as 10 or more duplex outlets.

The central component is the power harness, which can be mounted under desk rails or under the center beam of a big table, typically centered on a desk top width.

Under desks the harness is suspended from a power harness mounting bracket attached to either the front or back edge of a desk rail, typically 6" in from the back edge. Specify a power harness mounting bracket to match the width of harness and covers, or 12" wider to also attach cable baskets or data/communications outlet boxes. Under the big table, the harness can be suspended directly from the center beam.

The power harness accepts snap-in duplex outlets on each face, and is enclosed by steel raceway covers, specified separately. Each end of the harness has ports for two jumper cables, or a power infeed and a jumper cable. The power infeed connects power from a building junction box, and jumpers connect power from one harness to another, in either direction.

Power harnesses are available in two sizes: 12" wide, with two duplex outlet locations on each face, and 24" wide, with four outlet locations on each face. Duplex outlets must be specified separately to access one of the four or six circuits. Outlets for all circuits can be specified in black with white letters identifying circuits. Outlets for circuits X, Y, Z are also available in orange with black letters, or black with orange triangles and letters to designate protected circuits.



Corresponding raceway covers for 12" harness are 18" wide; covers for 24" harness are 30" wide. Raceway covers can be ordered in pairs that include two covers with openings or one cover without openings.

Jumper cables are available in various lengths up to 72" to link power between harnesses. To calculate the jumper width required to join between harnesses centered under the beam between big table tops, take the top width and subtract the harness width. Power harnesses planned next to each other, with immediately adjacent raceway covers, can be connected with the 7" jumper.

This enables big table tops to be served by more than four duplex outlets per position.

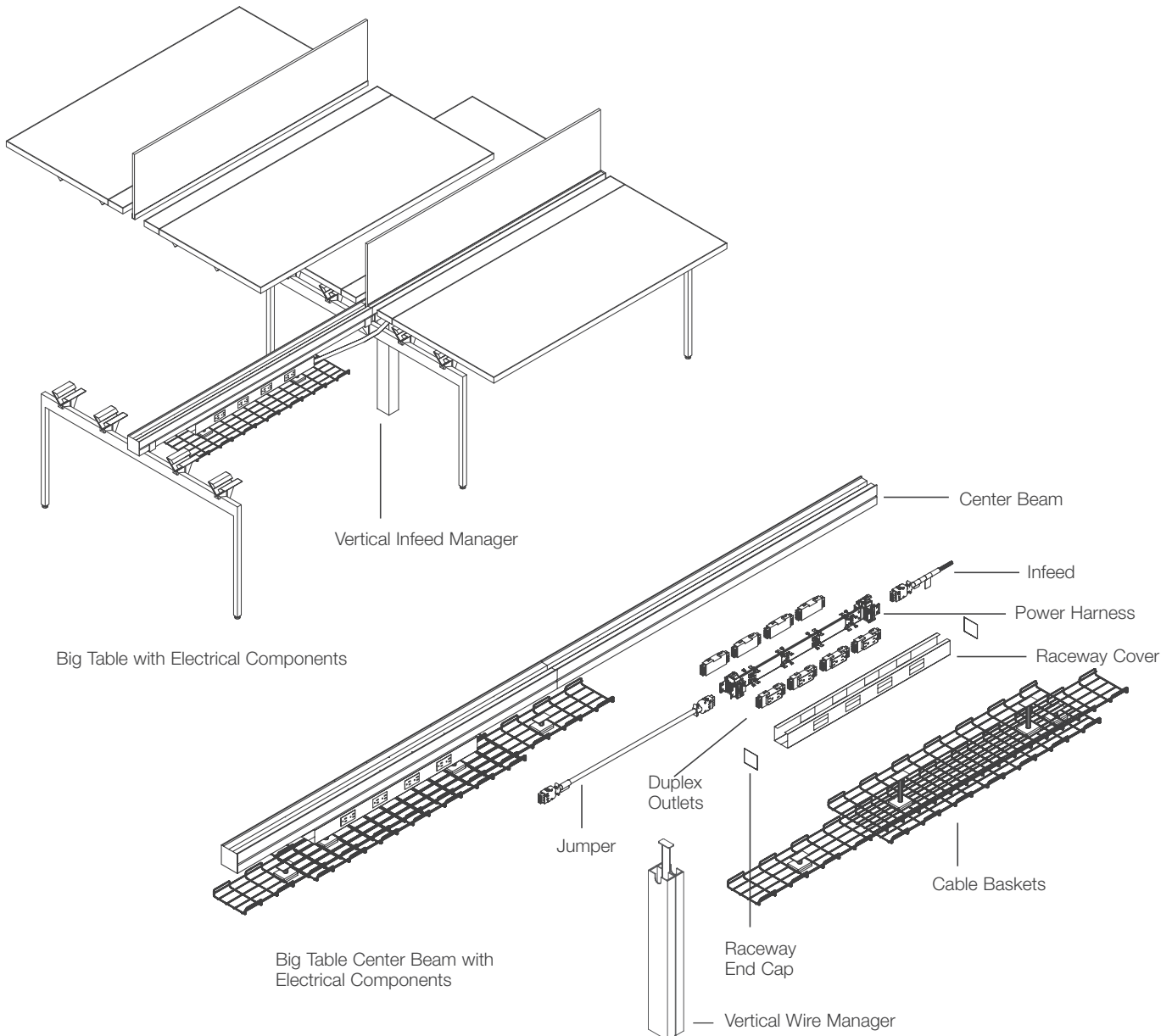
The same calculation is true for power harnesses under desks linked end to end: take the average of the two top widths and subtract the average of the harness widths. For desk to return power connections, take the average of the top and return widths, subtract the average of the harness widths, and add the depth of the primary top. Desk power jumper cables should be managed by cable clips for desk rails (YR1CC, set of 50).

120 degree Antenna tops that are 48" wide only accept the 12" power harness.

To satisfy UL approval desks linked, power jumpers must be secured to each other by mechanical fasteners, such as a shared end leg, return connectors or top-to-top brackets.

Two types of power infeeds are available to connect the raceway from the building power supply. The modular infeed has a modular connector with a six foot pigtail to connect from a junction box in the floor or wall to a power harness.

A hardwired infeed box, required in New York City, mounts to a desk rail or Big Table center beam and includes a connector with six foot pigtail to connect to the closest power harness.



Big Table with Electrical Components

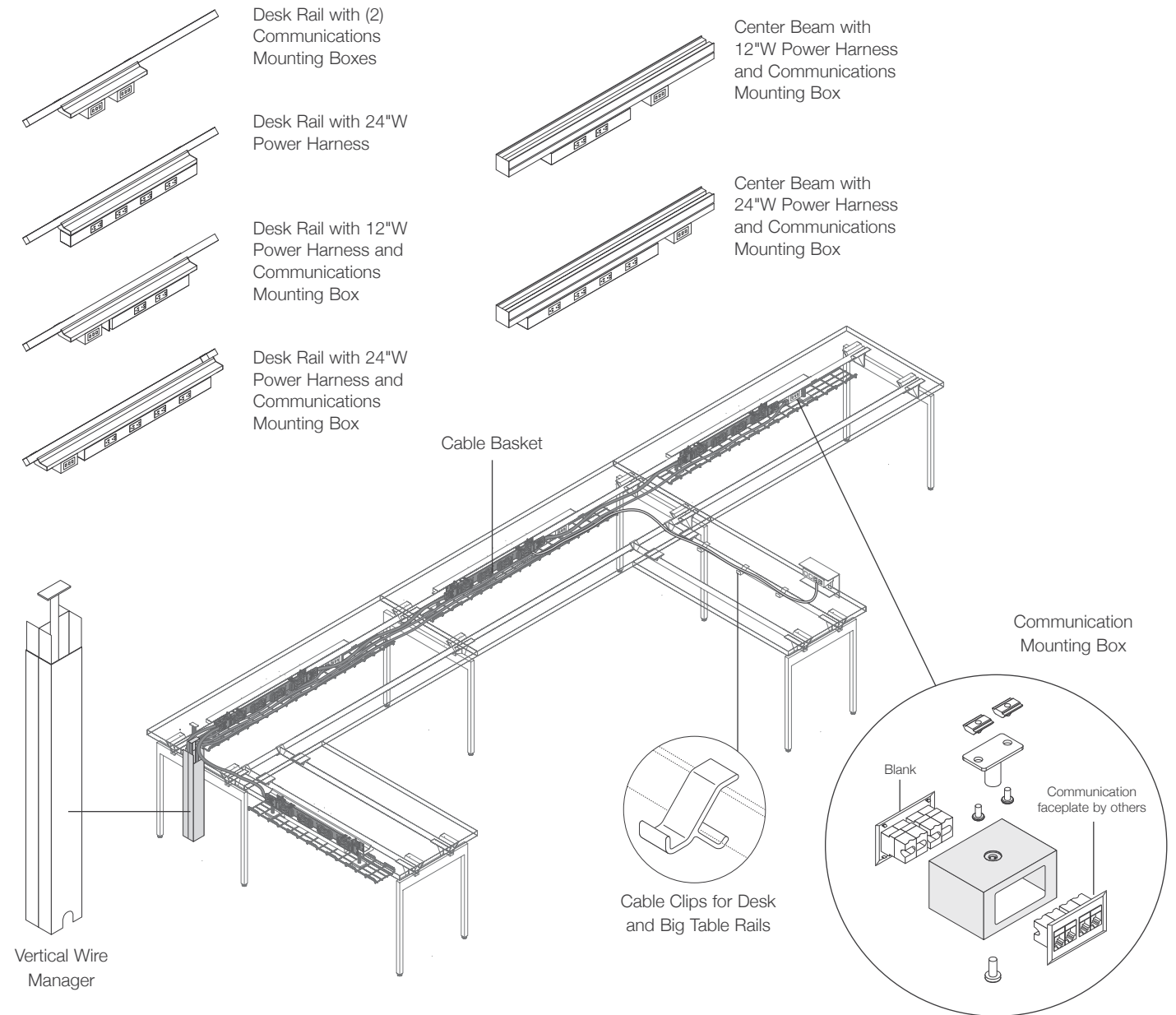
Big Table Center Beam with Electrical Components

Data and communication faceplates are housed in a communication mounting box that is suspended from an extended power harness mounting bracket on either side of the power harness on a desk rail or the center beam of the big table.

The mounting box has industry standard decora-size opening, 2.66" wide by 1.36" high with 0.094" radii corners, for outlets facing the inside or outside of the desk, and an opening underneath for cable supply.

The PDC module extension kit is a set of ten collars that snap securely into an outlet opening in an Antenna communications mounting box or Fence outlets cover to project a new outlet mounting position 1/2" away from the face of the box or cover. This added depth can be crucial if communications connectors are unusually deep and are arrayed back to back in the mounting box or Fence. Interior space between back to back communications faceplates is 3" in mounting box, or 3 7/8" in Fence applications. Extension Kit accepts most standard, decora-size communications faceplates. PDC module extension kit is injection molded black plastic.

Outlet fillers are a kit of ten plastic filler plates that flex to snap securely into any unused outlet opening in Antenna raceway covers, communications mounting box, or Fence outlets cover. Installed covers are designed to closely mimic the appearance of adjacent power outlets. Fillers are black injection molded plastic.



2+2

Four 20-amp circuits, 8 wire configuration with four hots (12 gauge), two neutrals (10 gauge, 35A rated), two grounds.

Power harness and outlet modules: steel enclosure between molded polypropylene distribution blocks, 8-wire.

Jumper cables: flexible steel conduit with strain relief, 8-wire

Outlets: molded polycarbonate duplex preconfigured as circuit A, B (black), X, Y (black, orange or black with orange triangle)

Infeed: watertight conduit with 6' whip or hardwire box mounted to desk rail, center beam or fence frame, 8-wire

Load should be balanced evenly among power circuits. In accordance with NEC2011 Article 210, the permissible load should not exceed 80% of the circuit ampere rating (which is 16 amps on each 20 amp branch circuit).

3+3

Six 20-amp circuits, 10 wire configuration with six hots (12 gauge), two neutrals (10 gauge, 35A rated), two grounds.

Power harness and outlet modules: steel enclosure between molded polypropylene distribution blocks, 10-wire.

Jumper cables: flexible steel conduit with strain relief, 10-wire

Outlets: molded polycarbonate duplex preconfigured as circuit A, B, C (black), X, Y, Z (black, orange or black with orange triangle)

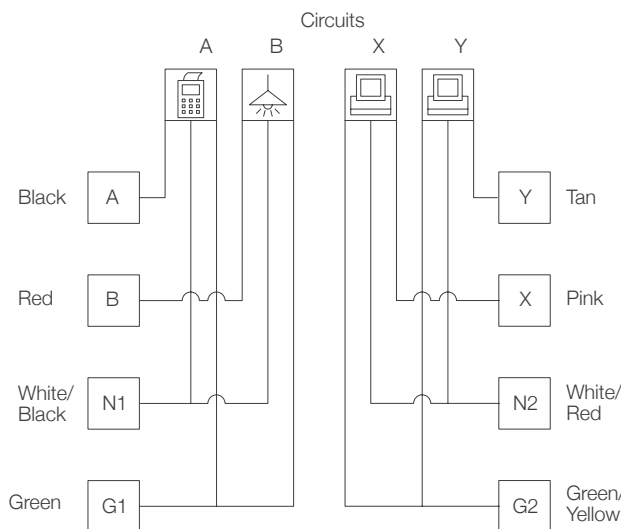
Infeed: watertight conduit with 6' whip or hardwire box mounted to desk rail, center beam or fence frame, 10-wire

Load should be balanced evenly among power circuits. In accordance with NEC2011 Article 210, the permissible load should not exceed 80% of the circuit ampere rating (which is 16 amps on each 20 amp branch circuit).

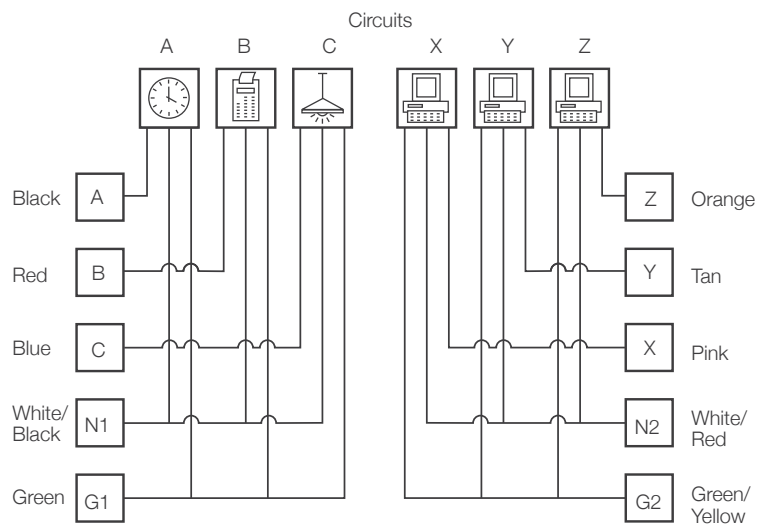
Antenna Workspaces is a listed product with U.L. in the QAWZ office furnishings category.

- File E76704 Volume 13, Section 1 (Furniture)
- File E76704 Volume 5, Section 5 (Electrical Accessories)

Wiring Diagram (2+2)






Wiring Diagram (3+3)



Electrical Components for Desks and Big Tables

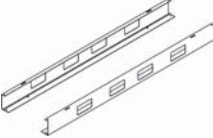

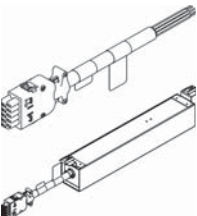
2 + 2 and 3 + 3 Electrical Systems

description	type	width	depth	height	pattern number	list
 Power Harnesses	2+2, (2) Duplex Outlets per Side	12"	2"	2"	YRPHE12	\$175.
	3+3, (2) Duplex Outlets per Side	12"	2"	2"	YRPHT12	199.
	2+2, (4) Duplex Outlets per Side	24"	2"	2"	YRPHE24	317.
	3+3, (4) Duplex Outlets per Side	24"	2"	2"	YRPHT24	381.
 Power Harness Mounting Brackets for Desks	For desk mounted 12" wide power harness	18"	3"	3/4"	YRPHA18	67.
	For desk mounted 24" wide power harness	30"	3"	3/4"	YRPHA30	89.
	For desk mounted 12" wide power harness and communications mounting box	30"	3"	3/4"	YRPHA30	89.
	For desk mounted 24" wide power harness and communications mounting box	42"	3"	3/4"	YRPHA42	112.
Communications Mounting Box	Below Desk or Big Table				YR1CMB	39.
 Duplex Receptacles	Circuit A, black	1 1/2"	1"	4 1/2"	YR1DA	40.
	Circuit B, black	1 1/2"	1"	4 1/2"	YR1DB	40.
	Circuit C, black	1 1/2"	1"	4 1/2"	YR1DC	40.
	Circuit X, black	1 1/2"	1"	4 1/2"	YR1DX	40.
	Circuit X, orange	1 1/2"	1"	4 1/2"	YR1DXO	40.
	Circuit X, black with orange triangle	1 1/2"	1"	4 1/2"	YR1DXT	40.
	Circuit Y, black	1 1/2"	1"	4 1/2"	YR1DY	40.
	Circuit Y, orange	1 1/2"	1"	4 1/2"	YR1DYO	40.
	Circuit Y, black with orange triangle	1 1/2"	1"	4 1/2"	YR1DYT	40.
	Circuit Z, black	1 1/2"	1"	4 1/2"	YR1DZ	40.
	Circuit Z, orange	1 1/2"	1"	4 1/2"	YR1DZO	40.
	Circuit Z, black with orange triangle	1 1/2"	1"	4 1/2"	YR1DZT	40.
	Outlet Fillers	Package of 10	1 1/4"	1/4"	2 1/2"	YROF

Ordering Information	Order Code	Included With	Options
Electrical Components 1. Pattern Number	Electrical Components <i>Example:</i> YRPHT12	Power Harness Center Beam Attachment	Electrical Components
Mounting Brackets 1. Pattern Number 2. Paint Finish	YRPHT Power Harness 12 Width Mounting Brackets <i>Example:</i> YRPHA18, 118T	Mounting Brackets Attachment Hardware	
Raceway Covers/End Caps 1. Pattern Number 2. Paint Finish	YBR Rails 18 Width	Communication Mounting Box Attachment Hardware	
Communication Mounting Box 1. Pattern Number 2. Paint Finish	118T Bright White Paint Raceway Covers <i>Example:</i> YRC18D, 118T YRC Raceway Covers 18 Width D Outlets Both Sides 118T Bright White Paint		

Electrical Components for Desks and Big Tables

2 + 2 and 3 + 3 Electrical Systems

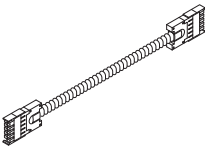
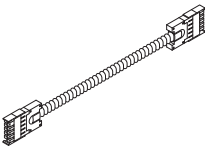
description	type	width	depth	height	pattern number	list
PDC Module Extension Kit	Package of 10				YR1PDCX	\$138.
 Raceway Covers (pair)	For 12" wide power harness, outlets both sides	18"	3"	3"	YRC18D	95.
	For 12" wide power harness, outlets one side	18"	3"	3"	YRC18S	95.
	For 24" wide power harness, outlets both sides	30"	3"	3"	YRC30D	112.
	For 24" wide power harness, outlets one side	30"	3"	3"	YRC30S	112.
Raceway End Cap	Package of 2	3/8"	3"	3"	YRCE	17.
 Covers for Exposed End of Power Harness	Package of 10	1"	1"	2"	YR1CP	179.
 Infeeds	2+2 Modular Base Infeed	85"	2 1/8"	2 3/8"	YR1EDPI	193.
	3+3 Modular Base Infeed	85"	2 1/8"	2 3/8"	YR1TDPI	223.
	2+2 Hardwire Infeed for New York City	85"	2 1/8"	2 3/8"	YR1EPNY	425.
	3+3 Hardwire Infeed for New York City	85"	2 1/8"	2 3/8"	YR1TPNY	448.

Power and Communications

Ordering Information	Order Code	Included With	Options
Electrical Components	Electrical Components	Power Harness	Electrical Components
1. Pattern Number	<i>Example:</i> YRPHT12	Center Beam Attachment	
Mounting Brackets	YRPHT Power Harness	Mounting Brackets	
1. Pattern Number	12 Width	Attachment Hardware	
2. Paint Finish	Mounting Brackets	Communication Mounting Box	
Raceway Covers/End Caps	<i>Example:</i> YRPHA18, 118T	Attachment Hardware	
1. Pattern Number	YBR Rails		
2. Paint Finish	18 Width		
Communication Mounting Box	118T Bright White Paint		
1. Pattern Number	Raceway Covers		
2. Paint Finish	<i>Example:</i> YRC18D, 118T		
	YRC Raceway Covers		
	18 Width		
	D Outlets Both Sides		
	118T Bright White Paint		

Electrical Components for Desks and Big Tables

2 + 2 and 3 + 3 Electrical Systems

description	type	w	d	h	pattern no.	list	
Jumper Cable, 2+2 	For 12" between power harnesses	12"	1"	1"	YR1EJ12	\$101.	
	For 18" between power harnesses	18"	1"	1"	YR1EJ18	110.	
	For 24" between power harnesses	24"	1"	1"	YR1EJ24	116.	
	For 30" between power harnesses	30"	1"	1"	YR1EJ30	124.	
	For 36" between power harnesses	36"	1"	1"	YR1EJ36	131.	
	For 42" between power harnesses	42"	1"	1"	YR1EJ42	145.	
	For 48" between power harnesses	48"	1"	1"	YR1EJ48	151.	
	For 54" between power harnesses	54"	1"	1"	YR1EJ54	157.	
	For 60" between power harnesses	60"	1"	1"	YR1EJ60	167.	
	For 66" between power harnesses	66"	1"	1"	YR1EJ66	175.	
	For 72" between power harnesses	72"	1"	1"	YR1EJ72	182.	
Jumper Cable, 3+3 	For adjacent power harnesses	07"	1"	1"	YR1TJ7	174.	
	For 12" between power harnesses	12"	1"	1"	YR1TJ12	131.	
	For 18" between power harnesses	18"	1"	1"	YR1TJ18	143.	
	For 24" between power harnesses	24"	1"	1"	YR1TJ24	151.	
	For 30" between power harnesses	30"	1"	1"	YR1TJ30	160.	
	For 36" between power harnesses	36"	1"	1"	YR1TJ36	171.	
	For 42" between power harnesses	42"	1"	1"	YR1TJ42	188.	
	For 48" between power harnesses	48"	1"	1"	YR1TJ48	197.	
	For 54" between power harnesses	54"	1"	1"	YR1TJ54	204.	
	For 60" between power harnesses	60"	1"	1"	YR1TJ60	217.	
	For 66" between power harnesses	66"	1"	1"	YR1TJ66	227.	
		For 72" between power harnesses	72"	1"	1"	YR1TJ72	237.

Ordering Information	Order Code	Included With	Options
Electrical Components 1. Pattern Number	Electrical Components <i>Example:</i> YRPHT12	Power Harness Center Beam Attachment	Electrical Components
Mounting Brackets 1. Pattern Number 2. Paint Finish	YRPHT Power Harness 12 Width	Mounting Brackets Attachment Hardware	
Raceway Covers/End Caps 1. Pattern Number 2. Paint Finish	Mounting Brackets <i>Example:</i> YRPHA18, 118T YBR Rails 18 Width	Communication Mounting Box Attachment Hardware	
Communication Mounting Box 1. Pattern Number 2. Paint Finish	118T Bright White Paint Raceway Covers <i>Example:</i> YRC18D, 118T YRC Raceway Covers 18 Width D Outlets Both Sides 118T Bright White Paint		

Surface Mounted Plugmold Raceway

Planning Guidelines and Specifications

Plugmold raceway for Antenna Workspaces is a hardwired raceway solution for linked desk and big table planning applications.

Plugmold houses six simplex outlets on one face and is available in either one circuit (3-wire) or two circuit (4-wire) configurations. Plugmold with one circuit may be appropriate for one or two linked desks; Plugmold with two circuits is appropriate for multiple desks or Big Table applications.

Plugmold is a two part channel, including an extruded aluminum back that screws to a mounting bracket that is suspended from a center beam or power harness mounting

bracket. The snap on face cover has an anodized aluminum finish with cutouts to accommodate eight simplex outlets. The plugmold raceway is 36" wide, 1 1/2" high and 1 1/8" deep. It includes blank ends and ends with fittings to link power to additional raceways or building power supply.

The mounting bracket is 36 1/2" wide U-shape folded steel that attaches to the underside of a big table center beam or power harness mounting bracket to support Plugmold on one or both faces. The hollow inside bracket conceals sheet metal screw fasteners for Plugmold on either side.

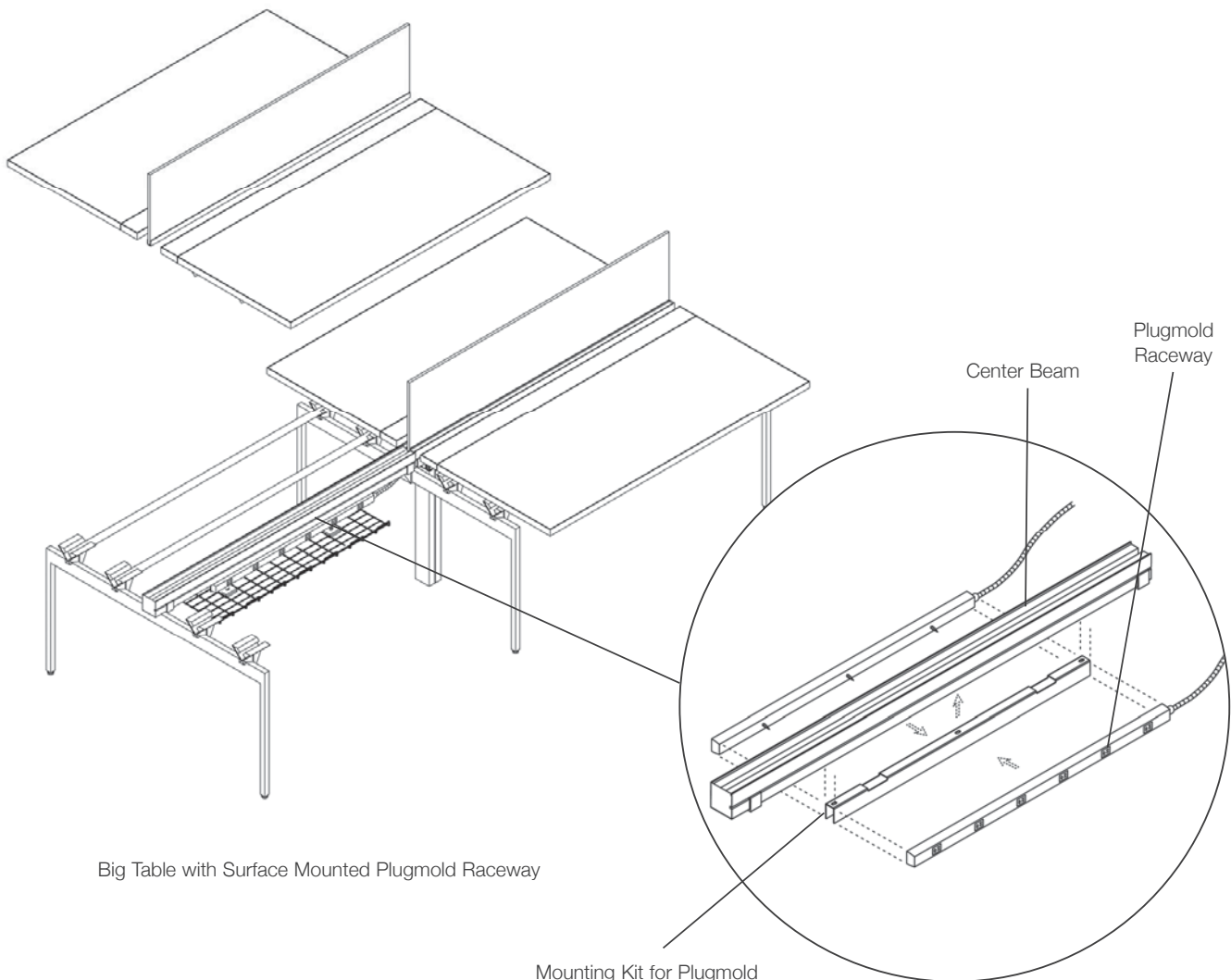
Plugmold raceway is a UL-listed surface mounted Wiremold 2000 raceway and when installed and configured by a licensed electrician it meets the requirements for City of Chicago.

Construction




Plugmold raceway is extruded aluminum back plate and cover, steel end covers and extruded aluminum cable exits. Mounting bracket is painted steel.

Specification Options

Plugmold raceways have a clear anodized aluminum finish. Mounting brackets are painted in any Core paint finish.



Surface Mounted Plugmold Raceway For Desks and Big Tables

description	type	w	d	h	pattern no.	list
 Plugmold, Single Circuit	3-Wire, Grey Outlets	36"	1 1/8"	1 1/2"	YRPM361	\$679.
 Plugmold, Two Circuit	4-Wire, Grey Outlets	36"	1 1/8"	1 1/2"	YRPM362	799.
 Mounting Kit for Plugmold	For Desks and Big Tables				YRPMK	120.

Ordering Information	Order Code	Included With	Options
Electrical Components	Plugmold	Plug Mold	Electrical Components
1. Pattern Number	<i>Example: YRPM361</i> YR Electrical Component PM Plug Mold 38 Width 1 Single Circuit	Mounting Kit Attachment brackets Hardware	
	Mounting Kit <i>Example: YRPMK</i> YR Electrical Component PM Plug Mold K Kit		

Desktop Outlet Center

Planning Guidelines and Specifications

The Antenna Desktop Power Center combines desktop outlets for power data and communications in any Antenna plan and is the ideal solution for independent desks.

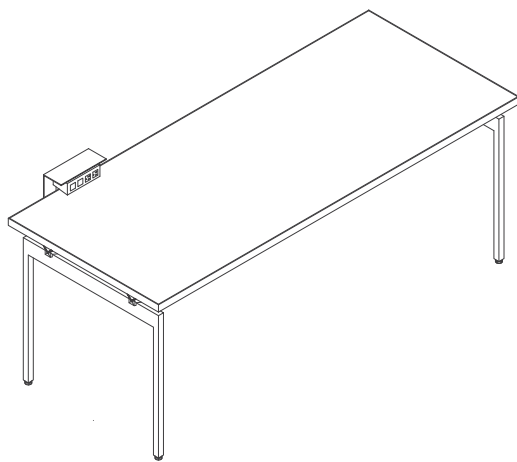
The desk mount bracket conceals cables behind and below the desk and incorporates a shelf for small electronics above.

Desktop Power Center is available with four simplex outlet positions (two power and two datacom) or six outlets (three and three, or two power and four datacom). The hardwire desktop outlet center is UL listed and meets the requirements of the City of Chicago if installed by a licensed electrician.

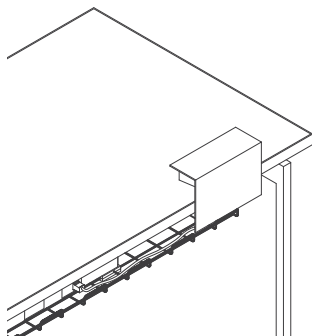
Desktop Power Center is powered by a 6' or 10' cordset that can connect to an Antenna raceway outlet or directly to a building outlet, or may

be hardwired to building power junction box.

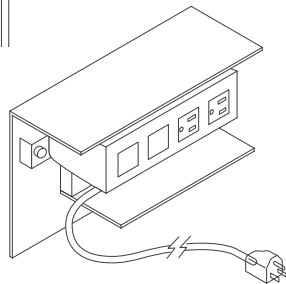
Power center includes adapters for various common communication outlets by others. Rectangular opening in base of power center enables cables to supply outlets from cable tray or cable clips under desktop.



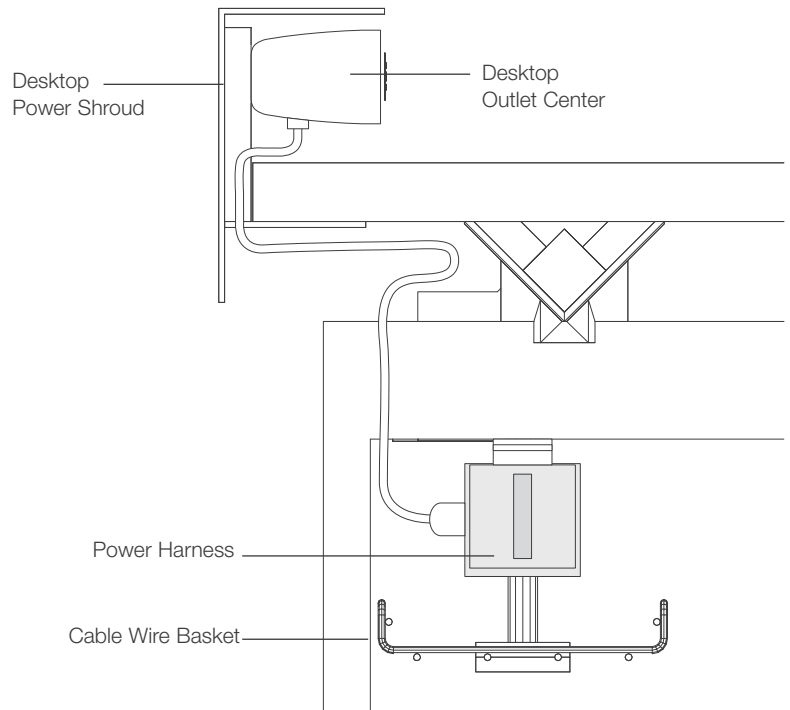
Antenna Desk with Desktop Outlet Center with Power Shroud



Desktop Outlet Center with Power Shroud Back Detail




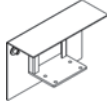
Desktop Outlet Center with Power Shroud



Desktop Outlet Center with Power Shroud Elevation Detail

Desktop Outlet Center

Four or Six Positions

description	type	w	d	h	pattern no.	list
 Desktop Outlet Center	4 Positions (2 Data and 2 Power), 10' Cordset	6 1/2"	2 1/2"	2"	YR1DOC422C10N	\$471.
	4 Positions (2 Data and 2 Power), 6' Cordset	6 1/2"	2 1/2"	2"	YR1DOC422C6N	437.
	4 Positions (2 Data and 2 Power), 6' Hardwire	6 1/2"	2 1/2"	2"	YR1DOC422H6N	481.
	6 Positions (3 Data and 3 Power), 10' Cordset	9 1/2"	2 1/2"	2"	YR1DOC633C10N	588.
	6 Positions (3 Data and 3 Power), 6' Cordset	9 1/2"	2 1/2"	2"	YR1DOC633C6N	555.
	6 Positions (3 Data and 3 Power), 6' Hardwire	9 1/2"	2 1/2"	2"	YR1DOC633H6N	599.
	6 Positions (4 Data and 2 Power), 10' Cordset	9 1/2"	2 1/2"	2"	YR1DOC642C10N	565.
	6 Positions (4 Data and 2 Power), 6' Cordset	9 1/2"	2 1/2"	2"	YR1DOC642C6N	531.
	6 Positions (4 Data and 2 Power), 6' Hardwire	9 1/2"	2 1/2"	2"	YR1DOC642H6N	576.
 Desk Mount Outlet Center Shroud	For 4 Position Desktop Outlet Center	8"	3"	6"	YR1DM4	213.
	For 6 Position Desktop Outlet Center	11"	3"	6"	YR1DM6	224.

Ordering Information	Order Code	Included With	Options
Desktop Outlet Center	Desktop Outlet Center	Desktop Outlet Center	Desktop Outlet Center
1. Pattern Number	<i>Example:</i> YR1DOC422C10N	Desk Mount Shroud	Desk Mount Shroud
Desk Mount Shroud	YR1DOC Desktop Outlet Center	Attachment Hardware	
1. Pattern Number	4 Positions		
2. Paint Finish	2 Data		
	2 Power		
	C10 10' Cordset		
	N No finish		
	Desk Mount Shroud		
	<i>Example:</i> YR1DM4, 118T		
	YR1DM Desk Shroud		
	4 Positions		
	118T Bright White Paint		

Cable Management

Cable Clips and Vertical Wire Manager

Planning Guidelines and Specifications

Cable Clips for Desk and Big Table Rails

Cable management is available for directly under the top of a desk or big table by using a molded plastic clip that snaps onto a rail. This clip provides management for one or two cables to keep them from hanging below the top. Cable clips for rails are useful for managing power cords for electronic devices.

Cable Clips for Big Table Center Beam

Cable clips for Big Table center beam snap into underside of the beam to manage power cables or small bundles of communications cables. Cable clips for center beam could be useful for managing a jumper cable "passing through" a big table position without a power harness.

Cable Clips for Fence

Cable Clips for Fence snap into the face of studs in the Fence frame to manage small bundles of cables in the unobstructed 1" wide x 6 1/2" high lay-in cabling space

between studs and the inside surface of Fence covers. Four cable clips, each holding up to 14 communications cables, snap into predrilled mounting locations between Fence cover mounting brackets at each of the four cover locations on the frame. As studs are located every 12" along the length of a run of Fence frames, a typical spec might include 40 clips per frame (8 clips per foot) for maximum wire management at the lower 9" level. An integral living hinge detail enables a locking feature to hold cables within the rectangular clips.

Vertical Wire Manager

For desks and big tables, cables can be managed from the floor up to the cable basket by a vertical wire manager. The H-shape internal frame is suspended from the desktop or adapter bracket, and provides lay-in channels separating power from data communication cables. U-shape side covers

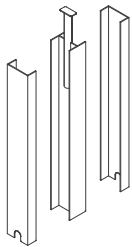
snap onto the frame to manage and conceal cables. Side covers have a "mousehole" shape cutout that can be positioned at the floor level to ease the bend radius of cables entering the bottom of the vertical wire manager.

Construction

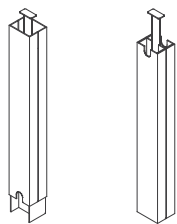
Cable clips are injection molded plastic. Vertical wire manager frames and covers are formed steel.

Specification Options

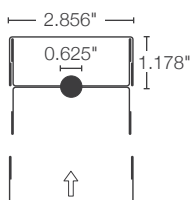
Cable clips for big table center beam and rails are grey. Cable clips for Fence are black. Vertical wire managers may be specified in any Core paint finish.



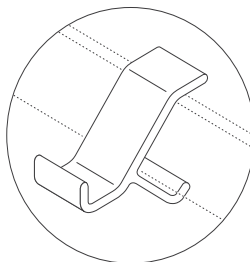
Vertical Wire Manager
Exploded Detail



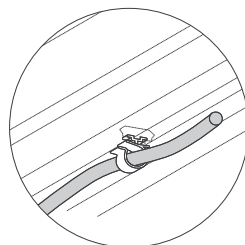
Vertical Wire Manager
Assembly Options



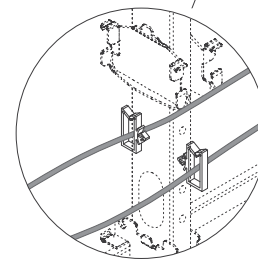
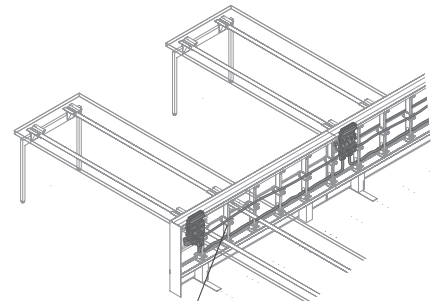
Plan View of Vertical Wire Manager



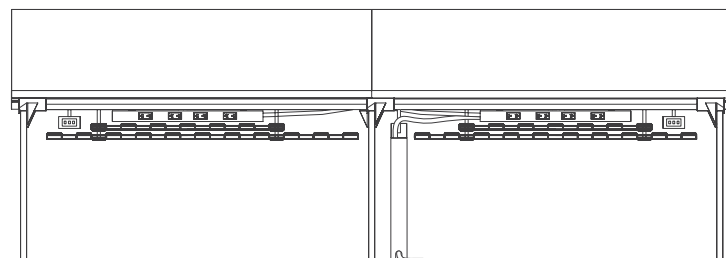
Cable Clips for Desk
and Big Table Rails



Cable Clip for Big
Table Center Beam



Cable Clips for Fence Wall Studs



Big Table with Vertical Wire Manager Elevation

Cable Management

Cable Baskets

Planning Guidelines and Specifications

Cable Baskets

Cable baskets are available to manage both excess power cords under power harnesses, and for data/communications cable distribution.

For desks, a single upper cable basket that is 69" wide, 6" deep and 1" high can be specified for attachment to the power harness mounting bracket located at the back of a desk top. Specify mounting bracket 12" wider than the power harness, so there is room to attach cable basket hangers to mounting bracket. Baskets can be trimmed in length to fit between desk

legs or between desk legs and storage.

For big tables, upper and lower cable baskets are available. A 12" deep, 1" high upper cable basket manages power cords directly below the power harness. Upper cable baskets are available in a 27" width that corresponds to the 12" wide harness, a 39" width for the 24" wide harness, and 69" wide by either 6" or 12" deep. For standing height big table, a 69" x 6" basket is available with 7" deep mounting brackets to clear leg braces. Lower cable baskets 69" long and either 6" or 12" deep manage data/

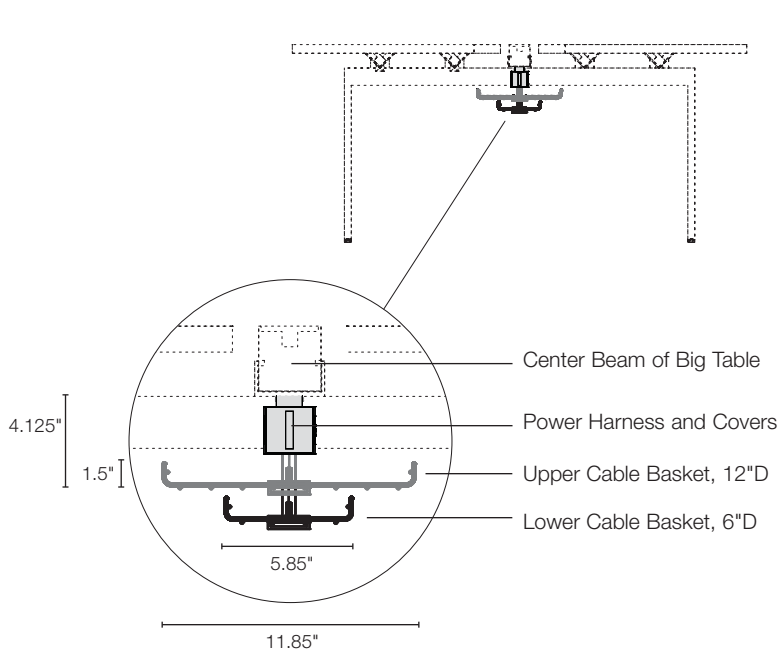
communications distribution for the width of the big table. Cable baskets and mounting hardware can also be specified separately. Cable baskets can be trimmed to the appropriate length onsite.

Construction

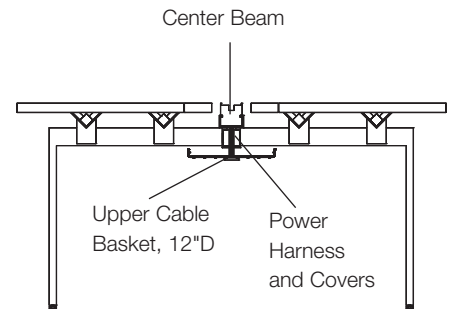
Cable baskets are painted wire.

Specification Options

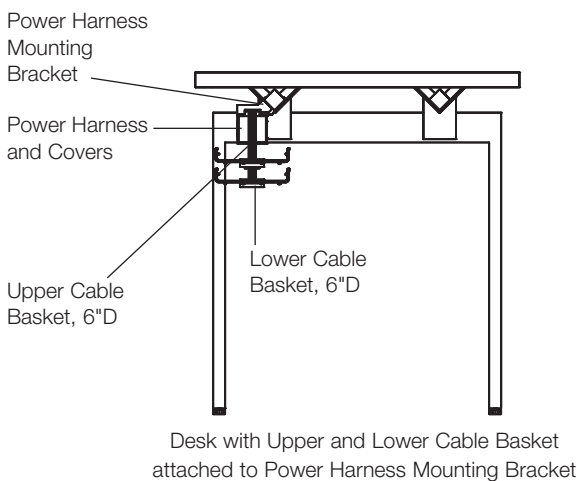
Cable baskets are painted medium grey.



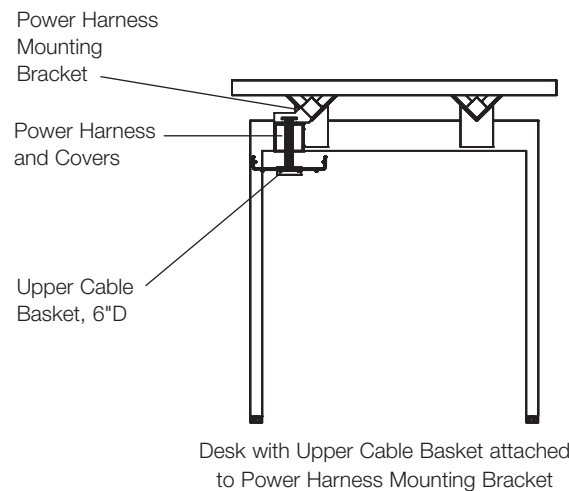
Big Table with Cable Baskets End Elevation Detail



Big Table with Upper Cable Basket Attached to Center Beam



Desk with Upper and Lower Cable Basket attached to Power Harness Mounting Bracket



Desk with Upper Cable Basket attached to Power Harness Mounting Bracket

Cable Management

Cable Basket Attachment Kits

Planning Guidelines and Specifications

Lower Cable Basket Mount Kit

Lower cable basket mount kits can be used to attach a cable basket underneath another cable basket. This may be necessary when a cable basket is cut in half or when converting an upper cable basket into a lower cable basket. The mounting kit provides two brackets with hardware that can be used with any depth cable basket.

Cable Basket Extension Kit

Cable basket extension kits can be used to increase the space above or between baskets by 1 3/4". The extension kit can be specified in combination with either upper level or lower level cable baskets. Standard upper level basket hangers are 4" high, lower level baskets are suspended 1 3/8".

Cable Basket Extra Mount Kit

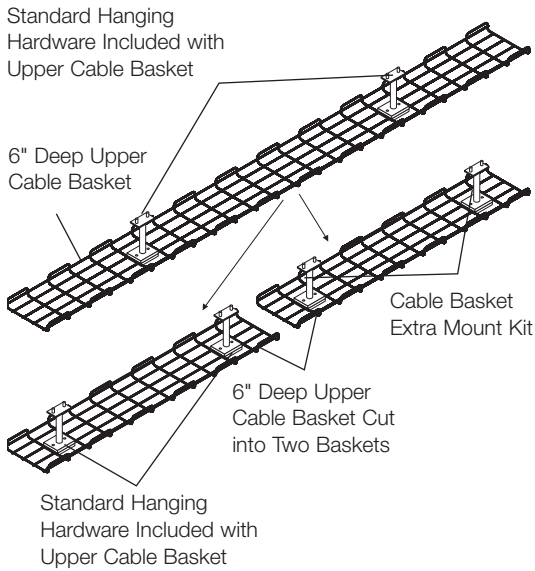
When a single cable basket is cut into two smaller baskets, a cable basket extra mount kit should be specified. This mounting kit provides the additional hardware necessary for both baskets to be attached to either the center beam or the power harness mounting bracket. Extra mount kit is available in 4" length for desk height and 7" length for standing height applications.

Construction

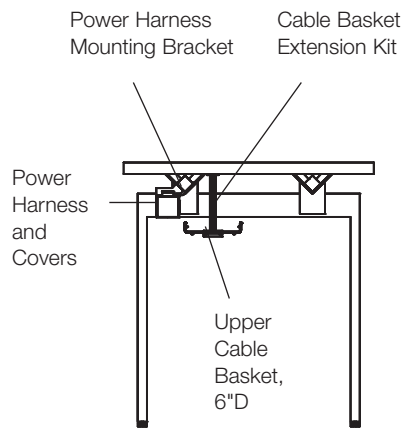
Cable basket attachment kits are painted steel.

Specification Options

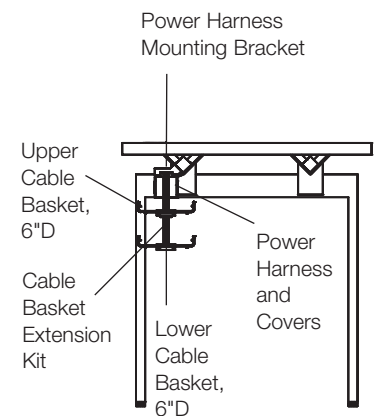
Cable basket attachment kits are painted medium grey.



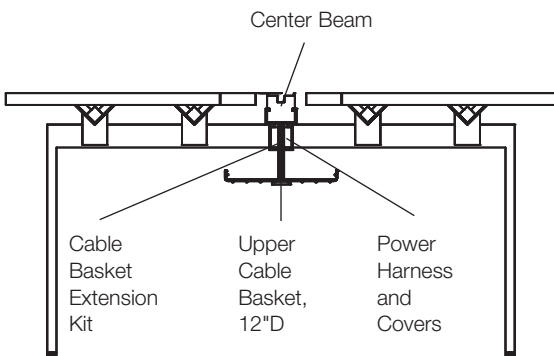
Cable Basket Extra Mount Kit Application



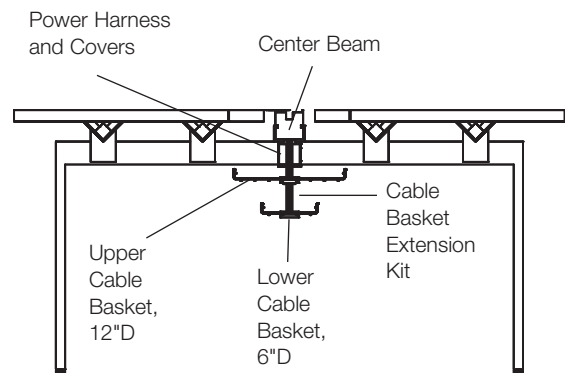
Desk with Upper Cable Basket attached to Top with Cable Basket Extension Kit



Desk with Upper and Lower Cable Baskets attached to Power Harness Mounting Bracket with Cable Basket Extension kit for 3" between baskets



Big Table with Upper Cable Basket attached to Center Beam with Cable Basket Extension Kit





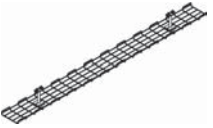



Big Table with Upper and Lower Cable Baskets attached to Center Beam with Cable Basket Extension Kit

Cable Management

For Desks and Big Tables

Cable Clips, Cable Baskets and Vertical Infeed/Wire Manager




description	type	w	d	h	pattern no.	list
Cable Clips for Desk and Big Table Rails 	Package of 10	3/4"	1 1/2"	1"	YR1CC	\$57.
Cable Clips for Big Table Center Beam 	Package of 50				YR1BCC50	264.
Cable Clips for Wall Studs 	Package of 100	1/4"	1/2"	1 1/2"	YR1PCC100	82.
Upper Cable Baskets (12" D Shown) 	27" x 12" with 4"H mount	27"	12"	1"	YR1CB2712B	128.
	39" x 12" with 4"H mount	39"	12"	1"	YR1CB3912B	151.
	69" x 12" with 4"H mount	69"	12"	1"	YR1CB6912B	229.
	69" x 6" with 4"H mount	69"	6"	1"	YR1CB6906B	156.
Upper Cable Baskets for standing height table	69" x 6" with 7"H mount	69"	6"	1"	YR1CB6906S	202.
Lower Cable Baskets (6" D Shown) 	Attaches Below Upper Cable Basket	69"	6"	1"	YR1CB6906H	140.
	Attaches Below Upper Cable Basket	69"	12"	1"	YR1CB6912H	212.
Basket without mount	Specify mounting hardware separately	69"	6"	1"	YR1CB6906N	90.
Lower Cable Basket Mount Kit 	Used to Attach Lower Cable Basket to Upper Cable Basket			1 3/8"	YR1CBH	51.

Ordering Information	Order Code	Included With	Options
Cable Clips	Cable Clips	Cable Clips	Cable Clips
1. Pattern Number	<i>Example:</i> YR1CC	Cable Basket	Cable Basket
Cable Basket	YR1CC Cable Clips	Attachment Hardware	Vertical Infeed/Wire Manager
1. Pattern Number	Vertical Infeed/Wire Manager	Cable Basket Extension Mount Kit	
Vertical Infeed/Wire Manager	<i>Example:</i> YR1VWM, 323	Attachment Hardware	
1. Pattern Number	YR1VWM Vertical Infeed/Wire Manager	Cable Basket Extra Mount Kit	
2. Paint Finish	118T Bright White Paint	Attachment Hardware Plates	
		Vertical Infeed/Wire Manager	
		Attachment Hardware	

Cable Management

For Desks and Big Tables

Cable Clips, Cable Baskets and Vertical Infeed/Wire Manager

description	type	w	d	h	pattern no.	list
Cable Basket Extra Mount Kit 	For desk height			4"	YR1CBB4	\$67.
	For standing height			7"	YR1CBB7	109.
Cable Basket Extension Kit 	Used to Extend Hang of Cable Basket			1 3/4"	YR1CBX2	18.
Vertical Infeed/Wire Manager 	For desks or desk height table	3"	2 1/2"	23"	YR1VWM323	373.
	For standing height table 36"h	3"	2 1/2"	31"	YR1VWM330	502.
	For standing height table 42"h	3"	2 1/2"	37"	YR1VWM336	502.
Beam Cable Manager (set of 10)	Attaches to edge of center beam	1 1/8"	1 1/4"	2 1/2"	YR1BCM	67.

Ordering Information	Order Code	Included With	Options
Cable Clips	Cable Clips	Cable Clips	Cable Clips
1. Pattern Number	<i>Example:</i> YR1CC	Cable Basket	Cable Basket
Cable Basket	YR1CC Cable Clips	Attachment Hardware	Vertical Infeed/Wire Manager
1. Pattern Number	Vertical Infeed/Wire Manager	Cable Basket Extension Mount Kit	
Vertical Infeed/Wire Manager	<i>Example:</i> YR1VWM, 323	Attachment Hardware	
1. Pattern Number	YR1VWM Vertical Infeed/Wire Manager	Cable Basket Extra Mount Kit	
2. Paint Finish	118T Bright White Paint	Attachment Hardware Plates	
		Vertical Infeed/Wire Manager	
		Attachment Hardware	

Fence Planning Guidelines

Fence is an independent 5" thick service wall intended to define the center of a cluster or the perimeter of a team space. Fence distributes and manages power, data and communications for a group of workspaces through the use of convenient outlets, accessible cable trays and slatwall. The unique Fence crown supports the end of a desk, screens and storage cabinets on stanchions in the center.

Fence can be specified at either 25" or 28 1/2" high. The 25" horizon aligns with the top of Antenna desk legs, enabling desk support rails to extend above the Fence crown top cap. The 28 1/2" horizon aligns with the top of a standard desk height top. The crown top cap corresponds in thickness and edge radius to an Antenna desk top.

Full or segmented covers to enclose the Fence structure are available with a painted, laminate or veneer surface. Full covers conceal the entire Fence structure, ending at the underside of the

crown. Segmented Fence covers are available as 9" high upper covers and 14" or 17" high lower covers. Fence covers are available in 12" width increments up to 72" and may span across straight frame-to-frame connections.

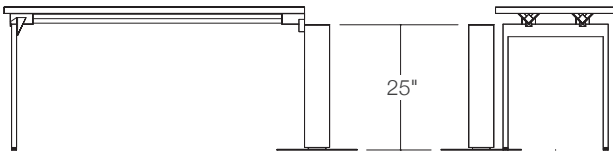
Fence can be configured in freestanding straight runs in any combination of 4', 5', or 6' widths, or in L, T, X, V or 120-degree Y connections.

Modular power systems available for Fence connect to the building at any point under the base and distribute either Knoll 2+2 or 3+3 electrical components up to six circuits from a single infeed. The unique profile of the frame and covers enables hundreds of cables to be "laid in" across multiple frames.

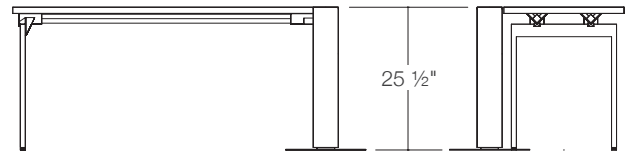
Screens for Fence are available in heights that create a horizon of 42" for seated visual access or 49" for seated visual privacy attaching to either 25" or 28 1/2" high Fence. Stanchion Mounted cabinets are able to attach to Fence using stanchion brackets, creating a 49" high horizon.

A Fence configuration consists of frames, legs, stabilizer feet, crown top caps, end covers, connectors, covers and power components. The recommended planning sequence is:

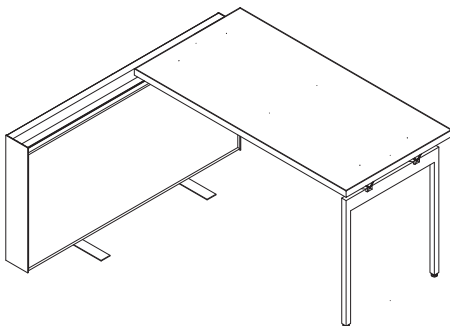
1. Determine the overall length and height of Fence frames and add legs/stabilizer feet where required (see stability guidelines).
2. Specify crown top caps to trim the top of the frame, flat ends for the ends of the frame and connectors for frame-to-frame connections.
3. Position outlet covers, cable tray and slatwall in desired location.
4. Fill in remaining frame openings with upper, lower and/or full covers.
5. Complete power specifications with outlet modules, duplex receptacles, infeeds and jumper cables.



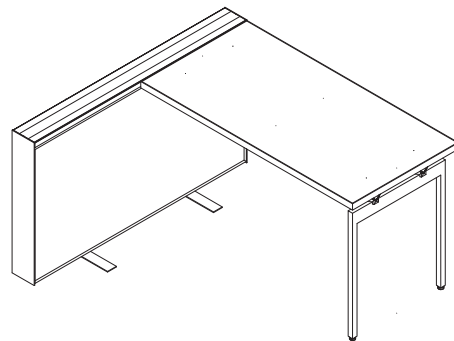
25"H Fence Elevations



28 1/2"H Fence Elevations



25"H Fence



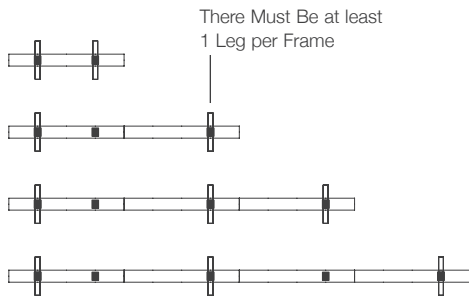
28 1/2"H Fence

Fence Stability Guidelines

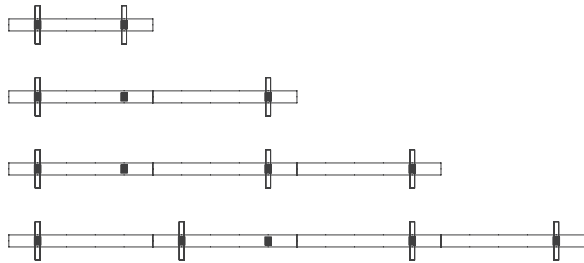
Fence can be planned in straight runs or connected in L, T, X, V or Y configurations. Legs are required 1' from any connector and a stabilizer foot should also be added 8' or less from an L, T or V connector. Two Fence legs are recommended for each frame when a desk

end support or upmounted storage cabinet application is planned. In addition to legs, a stabilizer foot should be added at each end and every 8' along a straight run. If storage or desk supports are not planned, Fence legs are required at each end of straight runs and every 4' or 5' with at least one per Fence frame.

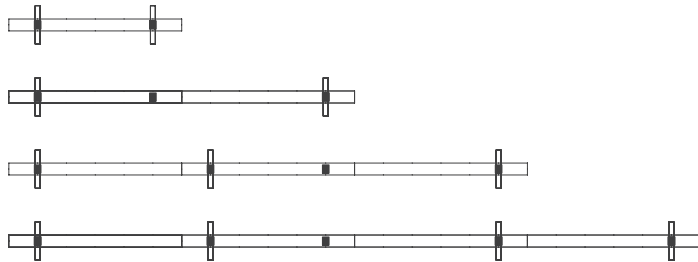
When supporting overhead storage, fence must be stabilized by attachment to an adjacent desk.



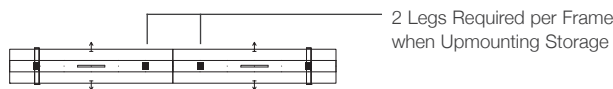
Straight Run Configurations using 48"W Frames



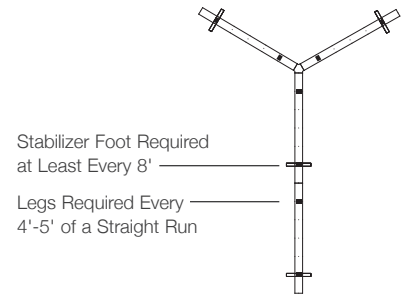
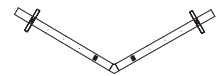
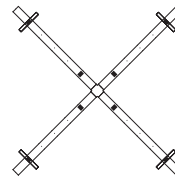
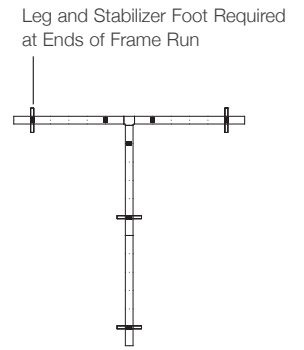
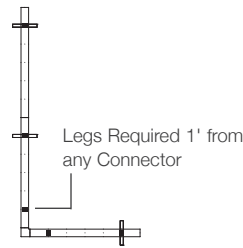
Straight Run Configurations using 60"W Frames



Straight Run Configurations using 72"W Frames



Straight 12' Run with Upmounted Storage



Fence Structure

Fence frames are the base structure of a Fence application. Frames are designed with 1" x 2" vertical studs every 12". Half-width vertical studs at each end are welded to a 1" high horizontal crown and bottom channel that are the full width of the frame. Frames are 21" high and available in 4', 5' and 6' widths. Frames include one set of connectors to join to the next frame in a straight line. The top of the frame crown has features that enable desk support brackets to attach to either side of the Fence frame, as well as screen and storage stanchions in the center of the crown.

The bottom channel of the frame has ports to enable vertical cable feeds between studs. Studs have two ports that allow lateral distribution of power jumper cables. Steel clips are welded to both faces of the studs to support the attachment of Fence covers. Covers are offset 1" to enable lay-in cable management across the face of any length of interconnected frames. Cable clips can be specified separately to manage bundles of communication cables.

Fence is available in two heights: 25" and 28 1/2". The height of fence is determined by the height of the leg, specify 4" high legs for 25" high Fence or 7" high legs for 28 1/2" high Fence. Legs attach to the frame bottom channel 1" from each end. Legs are required 1' from any connector and a stabilizer foot should also be added 8' or less from an L, T or V connector. Two Fence legs are recommended for each frame when a desk end support or upmounted storage cabinet application is planned. If storage or desk supports are not planned, Fence legs are required at each end of straight runs and every 4' or 5' with at least one per Fence frame.

A stabilizer foot is a heavy gauge steel foot that attaches to a Fence leg and extends 6" on either side of the frame. In addition to legs, a stabilizer foot should be added at each end and every 8' along a straight run.

Construction

Frames are 21" high steel weldments available in 48", 60", and 72" widths. Frames are composed of a 1" high crown, bottom rail, 1/2" wide roll formed studs at ends and 1" wide roll formed studs on 12" centers between the ends. Formed steel clips welded at the top, center and bottom of each stud enable covers to mount and snap into position without tools.

Legs are extruded aluminum with steel top and bottom plates to connect to the bottom of the frame 12" from either end and accept 3" high leveling glides with 2" adjustable height.

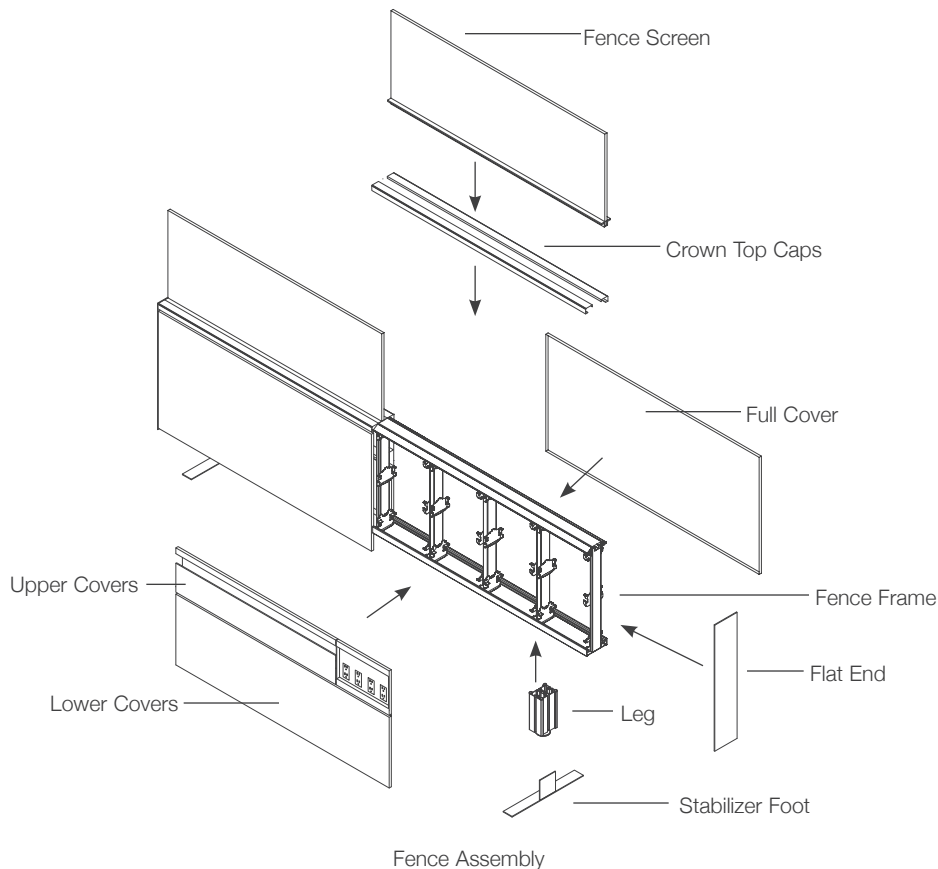
Stabilizer feet are an inverted T-shape constructed of welded steel that rests directly on the floor below the leveling glide.

Cable clips are molded black plastic, approximately 1 1/2"H x 3/4"D, and each can manage 10 or more CAT5 cables.

Antenna Fence frame is essentially similar to Currents Fence, but has a different bottom channel to enable the covers to extend to the floor. Legs and feet are unique to Antenna Fence.

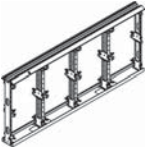

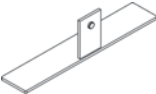
Specification Options

Frames have a black paint finish. The legs and stabilizer foot are available in any core paint finish. Cable clips (AR1PCC100) must be specified separately and are available in packages of 100.



Fence Structure

Frames, Legs and Stabilizer Foot

description	type	w	d	h	pattern no.	list
 Frames	48" Wide	48"	5"	21"	YFF2148	\$493.
	60" Wide	60"	5"	21"	YFF2160	583.
	72" Wide	72"	5"	21"	YFF2172	649.
 Individual Legs	For sue with 25" High Fence	3 1/2"	4"	4"	YFL25	34.
	For use with 28 1/2" High Fence	3 1/2"	4"	7"	YFL28	45.
 Stabilizer Foot	For use with individual leg	4"	16"	1/4"	YFLSF	89.

Ordering Information	Order Code	Included With	Options
Frame/Legs	Frame/Legs	Frame/Legs	Frame/Legs
1. Pattern Number	<i>Example:</i> YFF2148	Stabilizer Foot	Stabilizer Foot
Stabilizer Foot	YFF Fence Frame	Attachment Hardware	
1. Pattern Number	21 Height		
2. Paint Finish	48 Width		
	Stabilizer Foot		
	<i>Example:</i> YFLSF, 118T		
	YFLSF Stabilizer Foot		
	118T Bright White Paint		

Fence Connectors and Trim

Each fence frame requires a pair of matching width crown top caps. Crown top caps match the profile of an Antenna desk top and snap on to either side of the frame crown, leaving a center channel accessible for mounting screens or overhead support stanchions.

Crown center channel can be filled with a crown top cap center channel. Center crown top caps can be trimmed on site to fit around stanchions or off module screens.

Fence flat ends attach directly to the outside ends of the frame, covering the ends of the crown top caps and edges of side covers.

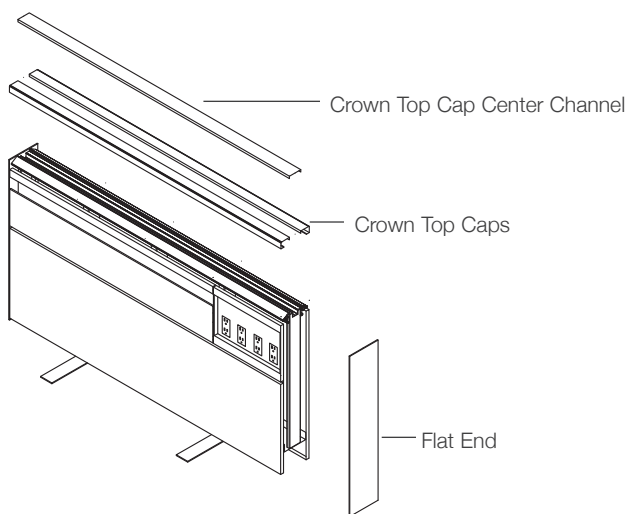
Fence connectors attach between two or more frames at a 90-degree or 120-degree angle creating L, X, T, V or Y conditions. Connectors add 1" in plan on either side. Connector kits include formed steel top and bottom brackets, inside and outside vertical trim covers, connector top cap and end caps for the ends of crown top caps.

Construction

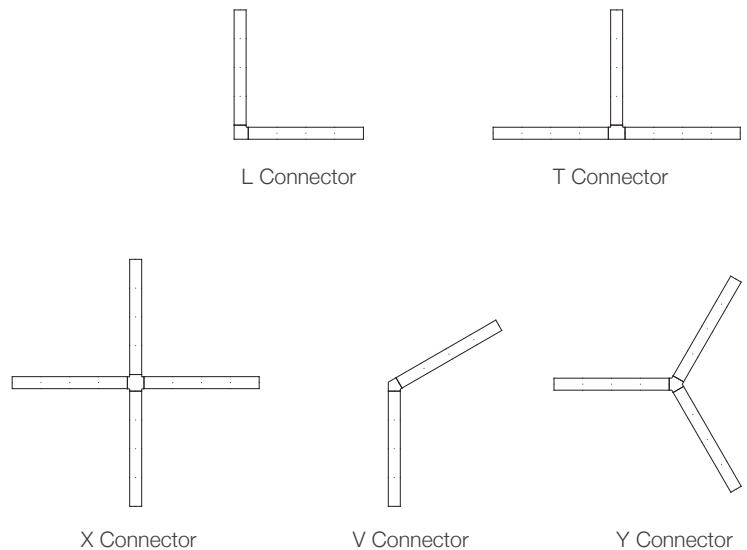
Crown top caps are painted extruded aluminum. Crown top cap center channels are extruded metal. Connector kits are comprised of formed steel top and bottom brackets and trim covers, molded plastic top caps and metal crown end caps.

Specification Options

Crown top caps and crown top cap center channels can be specified in any core paint finish. Flat ends and connector covers can be specified in any core paint finish. For L, T, and V conditions, specify connector top cap and crown end caps, which are included in connector kits, in any core paint finish. For X and Y conditions, specify crown end caps in any core paint finish.






Connector and Trim Assembly Detail



Fence Connector Applications

Fence Connectors and Trim






Antenna Crown Top Caps and Flat Ends

description	type	w	d	h	pattern no.	list
 Flat Ends	For 28 1/2" High Fence		1/4"	28 1/2"	YFJE28	\$101.
	For use with 25" High Fence	5"	1/4"	25"	YFJE25	101.
 Crown Top Caps (pair)	For use with 48" wide frame	48"	1 1/2"	3/4"	YFTC48	57.
	For use with 60" wide frame	60"	1 1/2"	3/4"	YFTC60	79.
	For use with 72" wide frame	72"	1 1/2"	3/4"	YFTC72	89.
 Crown Top Cap Center Channel	For use with 48" wide crown top caps	48"	1 3/4"	3/4"	YFCC48	28.
	For use with 60" wide crown top caps	60"	1 3/4"	3/4"	YFCC60	39.
	For use with 72" wide crown top caps	72"	1 3/4"	3/4"	YFCC72	45.

Ordering Information	Order Code	Included With	Options
Crown Covers/Flat Ends	Crown Covers/Flat Ends	Crown Covers/Flat Ends	Crown Covers/Flat Ends
1. Pattern Number	<i>Example:</i> YFJE25, 118T		
2. Paint Finish	YFJE Flat End		
	25 Height		
	118T Bright White Paint		

Fence Connectors and Trim

Antenna Connectors

description	type	w	d	h	pattern no.	list
L Connectors (Two-Way) 	For use with 25" High Fence	5"	5"	25"	YFJL25	\$504.
	For use with 28 1/2" High Fence	5"	5"	28 1/2"	YFJL28	504.
T Connectors (Three-Way) 	For use with 25" High Fence	5"	5"	25"	YFJT25	593.
	For use with 28 1/2" High Fence	5"	5"	28 1/2"	YFJT28	593.
X Connectors (Four-Way) 	For use with 25" High Fence	5"	5"	25"	YFJX25	638.
	For use with 28 1/2" High Fence	5"	5"	28 1/2"	YFJX28	638.
V Connectors (Two-Way 120 degree) 	For use with 25" High Fence	5"	5"	25"	YFJV25	811.
	For use with 28 1/2" High Fence	5"	5"	28 1/2"	YFJV28	811.
Y Connector (Three-Way 120 Degree) 	For use with 25" High Fence	5"	5"	25"	YFJY25	493.
	For use with 28 1/2" High Fence	5"	5"	28 1/2"	YFJY28	493.

Ordering Information

Connectors

1. Pattern Number
2. Vertical Paint Finish (except for X and Y connector)
3. Top Cap Paint Finish
4. Crown End Cover Finish

Order Code

Connectors

Example: **YFJT25, 118T, 118T, 118T**

YFJT	Fence T Connector
25	Height
118T	Bright White Paint
118T	Bright White Paint
118T	Bright White Paint

Included With

Connectors

Attachment Hardware
Connectors
Trim

Options

Connectors

Fence Electrical Components

Fence is powered by a unique point-to-point configuration of standard Knoll 2+2 or 3+3 modular raceways. The central power component is the outlet module, which has integral hooks to hang from the top stud clips on the frame. The outlet module is less than 6" wide, so two outlet modules can fit side by side between any two studs.

Each face of the outlet module accepts two duplex outlets, unique to Antenna Fence, that extend to protrude through the outlet cover openings. Duplex receptacles must be specified to access one of the four or six circuits. The four ports at the bottom of an outlet module accept jumper cables or an infeed with up to three jumper cables.

Jumpers

Jumper cables are available in various lengths up to 108" to link power between outlet modules. Side by side outlet modules behind a single outlet cover should be

joined by an 18" jumper, outlet modules behind adjacent outlet covers should be joined by a 24" jumper. For other planning conditions, fence jumpers need to be at least 24" wider than the width of the fence cover between outlet covers. For example, if outlet modules are positioned behind outlet covers separated by a 36" wide fence cover, they should be joined by a 60" or wider jumper.

Infeeds

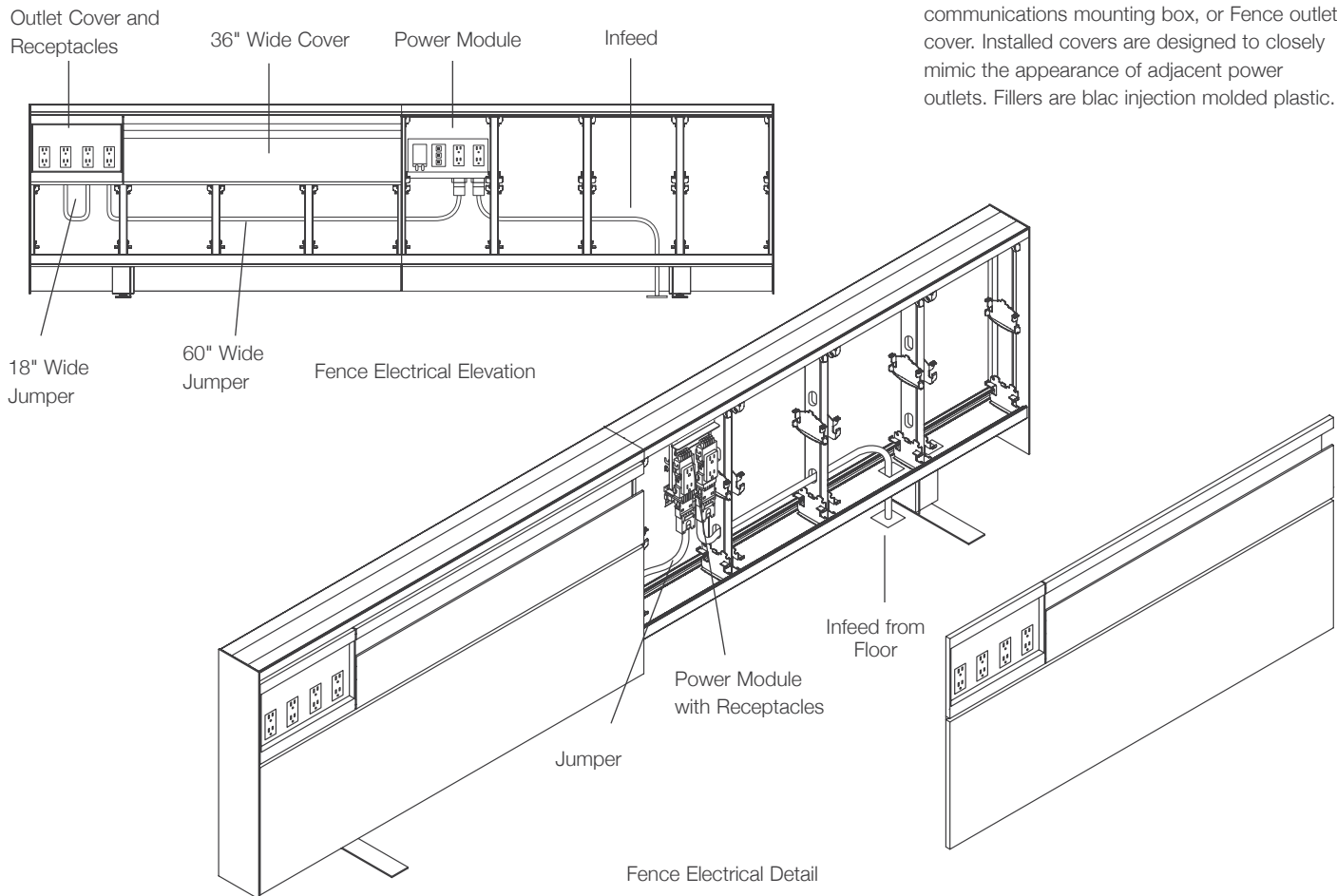
Two types of power infeeds, modular and hardwire, are available to connect the raceway to the building power supply. The modular infeed has a modular connector with a six foot pigtail that connects a junction box directly to Fence, through a port in the bottom of the frame, to an outlet module. Clad in metal conduit, the modular infeed is compliant with San Francisco electrical codes. A hardwire infeed, required in New York City, mounts to the frame and includes a connector with six foot pigtail that connects to an outlet module.

Infeed cables for both power and communications enter the Fence frame through the 1" space at the base of full or lower covers and the 3" (with 25" high Fence) or 6" (with 28 1/2" high Fence) space between the bottom of the frame and the floor.

Data and Communications

The PDC module extension kit is a set of ten collars that snap securely into an outlet opening in Antenna communications mounting box or Fence outlets cover to project a new outlet mounting position 1/2" away from the face of the box or cover. This added depth can be crucial if communications connectors are unusually deep and are arrayed back to back in the mounting box or Fence. Interior space between back to back communications faceplates is 3" in mounting box, or 3 7/8" in Fence applications. Extension kit accepts most standard, decorative communications faceplates. PDC module extension kit is injection molded black plastic.

Outlet fillers are a kit of ten plastic filler plates that flex to snap securely into any unused outlet opening in Antenna raceway covers, communications mounting box, or Fence outlets cover. Installed covers are designed to closely mimic the appearance of adjacent power outlets. Fillers are black injection molded plastic.

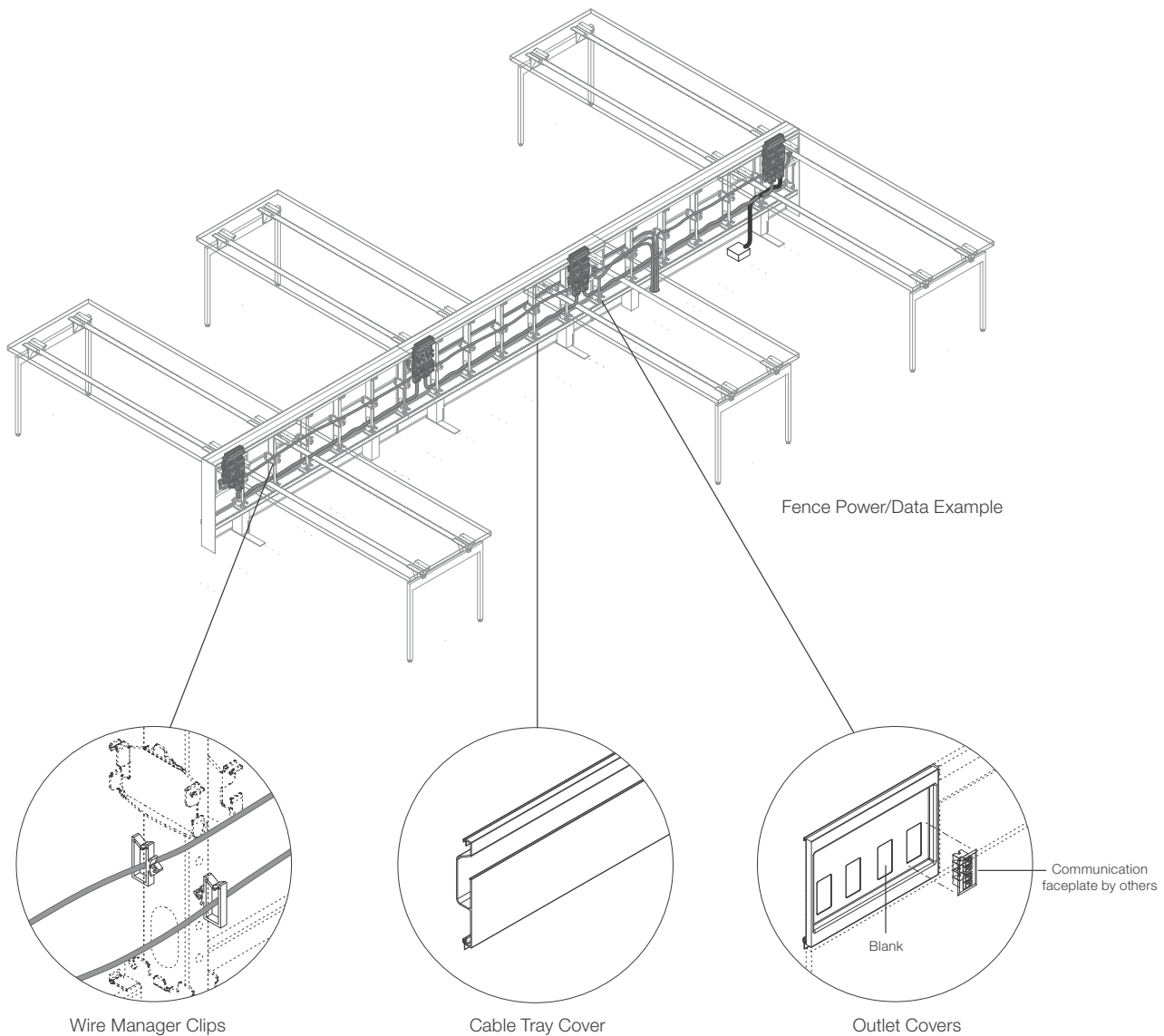


Construction


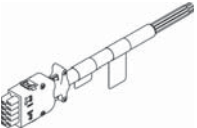
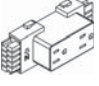


The 2+2 electrical system distributes four 20-amp circuits in eight wires suitable for uninterrupted power supply applications. 2+2 electrical is configured with two hot wires that have a shared ground and neutral and two other hot wires that have separate shared ground and neutrals. The 3+3 electrical system distributes six 20-amp circuits in ten wires suitable for uninterrupted power supply applications. 3+3 electrical is configured with three hot wires with a shared ground and neutral and three other hot wires that have separate shared ground and neutrals.

Specification Options

For outlet modules, jumpers and infeeds, specify either the 2+2 or 3+3 electrical system. When using the 2+2 electrical system, specify duplex receptacles for circuits A, B, X or Y. When using the 3+3 electrical system, specify duplex receptacles for circuits A, B, C, X, Y or Z. Duplex receptacles for all circuits are available with a black face. X, Y and Z circuits are also available with an orange face or a black face with an orange triangle.



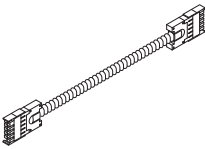
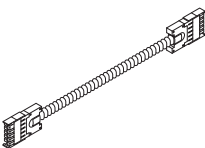
Electrical Components for Fence 2+2 and 3+3 Electrical Systems

description	type	w	d	h	pattern no.	list
Outlet Modules 	2+2, Upper Level	6"	3 1/2"	8 1/2"	YR1EOM	\$166.
	3+3, Upper Level	6"	3 1/2"	8 1/2"	YR1TOM	193.
Infeeds 	2+2 Hardwire Infeed for New York City	85"	2 1/8"	2 3/8"	YR1EPNY	425.
	2+2 Modular Base Infeed	85"	2 1/8"	2 3/8"	YR1EDPI	193.
	3+3 Hardwire Infeed for New York City	85"	2 1/8"	2 3/8"	YR1TPNY	448.
	3+3 Modular Base Infeed	85"	2 1/8"	2 3/8"	YR1TDPI	223.
Duplex Receptacles, Extended Face For Use With Fence 	Circuit A, black	1 1/2"	2"	4 1/2"	YR1XDA	45.
	Circuit B, black	1 1/2"	2"	4 1/2"	YR1XDB	45.
	Circuit C, black	1 1/2"	2"	4 1/2"	YR1XDC	45.
	Circuit X, black	1 1/2"	2"	4 1/2"	YR1XDX	45.
	Circuit X, black with orange triangle	1 1/2"	2"	4 1/2"	YR1XDXT	45.
	Circuit X, orange	1 1/2"	2"	4 1/2"	YR1XD XO	45.
	Circuit Y, black	1 1/2"	2"	4 1/2"	YR1XDY	45.
	Circuit Y, black with orange triangle	1 1/2"	2"	4 1/2"	YR1XDYT	45.
	Circuit Y, orange	1 1/2"	2"	4 1/2"	YR1XDYO	45.
	Circuit Z, black	1 1/2"	2"	4 1/2"	YR1XDZ	45.
Circuit Z, black with orange triangle	1 1/2"	2"	4 1/2"	YR1XDZT	45.	
Circuit Z, orange	1 1/2"	2"	4 1/2"	YR1XDZO	45.	
Outlet Fillers 	Package of 10	1 1/4"	1/4"	2 1/2"	YROF	34.
PDC Module Extension Kit	Package of 10				YR1PDCX	138.
Cable Clips for Wall Studs 	Package of 100	1/4"	1/2"	1 1/2"	YR1PCC100	82.

Fence Components

Ordering Information	Order Code	Included With	Options
Electrical Components 1. Pattern Number	Electrical Components <i>Example:</i> YR1EOM12 YR1EOM Outlet Module 12 Width	Electrical Components	Electrical Components

Electrical Components for Fence 2+2 and 3+3 Electrical Systems

description	type	w	d	h	pattern no.	list
 <p>Jumper Cable, 2+2</p>	For adjacent outlet modules behind one cover	18"	1"	1"	YR1EJ18	\$110.
	For outlets behind adjacent outlet covers	24"	1"	1"	YR1EJ24	116.
	For 12" between outlet covers	36"	1"	1"	YR1EJ36	131.
	For 24" between outlet covers	48"	1"	1"	YR1EJ48	151.
	For 36" between outlet covers	60"	1"	1"	YR1EJ60	167.
	For 48" between outlet covers	72"	1"	1"	YR1EJ72	182.
	For 60" between outlet covers	84"	1"	1"	YR1EJ84	202.
	For 72" between outlet covers	96"	1"	1"	YR1EJ96	217.
	For 84" between outlet covers	108"	1"	1"	YR1EJ108	225.
 <p>Jumper Cable, 3+3</p>	For adjacent outlet modules behind one cover	18"	1"	1"	YR1TJ18	143.
	For outlets behind adjacent outlet covers	24"	1"	1"	YR1TJ24	151.
	For 12" between outlet covers	36"	1"	1"	YR1TJ36	171.
	For 24" between outlet covers	48"	1"	1"	YR1TJ48	197.
	For 36" between outlet covers	60"	1"	1"	YR1TJ60	217.
	For 48" between outlet covers	72"	1"	1"	YR1TJ72	237.
	For 60" between outlet covers	84"	1"	1"	YR1TJ84	263.
	For 72" between outlet covers	96"	1"	1"	YR1TJ96	283.
	For 84" between outlet covers	108"	1"	1"	YR1TJ108	292.

Ordering Information

Electrical Components

1. Pattern Number

Order Code

Electrical Components

Example: **YR1TJ36**

YR1TJ Jumper Cable

36 Width

Included With

Electrical Components

Options

Electrical Components

Fence Upper Covers

Upper covers are nominal 9"H and mount only in the upper position of each face of the frame, 1/2" below and flush with the crown covers. Specifying the surface covers of the fence should begin by locating outlets covers and any functional surface covers—integral cable tray or slatwall. Other surface covers can be painted wood, laminate, or veneer. Covers attach using full width extrusions that hang from the top stud clips and snap onto the middle clips on the studs.

Outlet covers are 12" wide with a 1/2" deep recessed surface and four standard duplex outlet openings. Each outlet opening is oriented vertically and is sized to fit around a power outlet or standard Decora-size snap-in data/communications outlet. Hardwired outlet covers are also available when required by code.

Cable tray covers are designed to enable user-accessible cable management within the surface of the Fence between outlet covers. Slatwall has integral slots from which KnollExtra accessories can be hung from the surface of the Fence. Cable tray and slatwall covers are available in 12" widths up to 72".

Upper covers are also available with a painted or laminate finish in widths from 12"-72" or with a Techwood or natural veneer finish in widths from 12"-48". The grain direction is vertical for veneer covers.

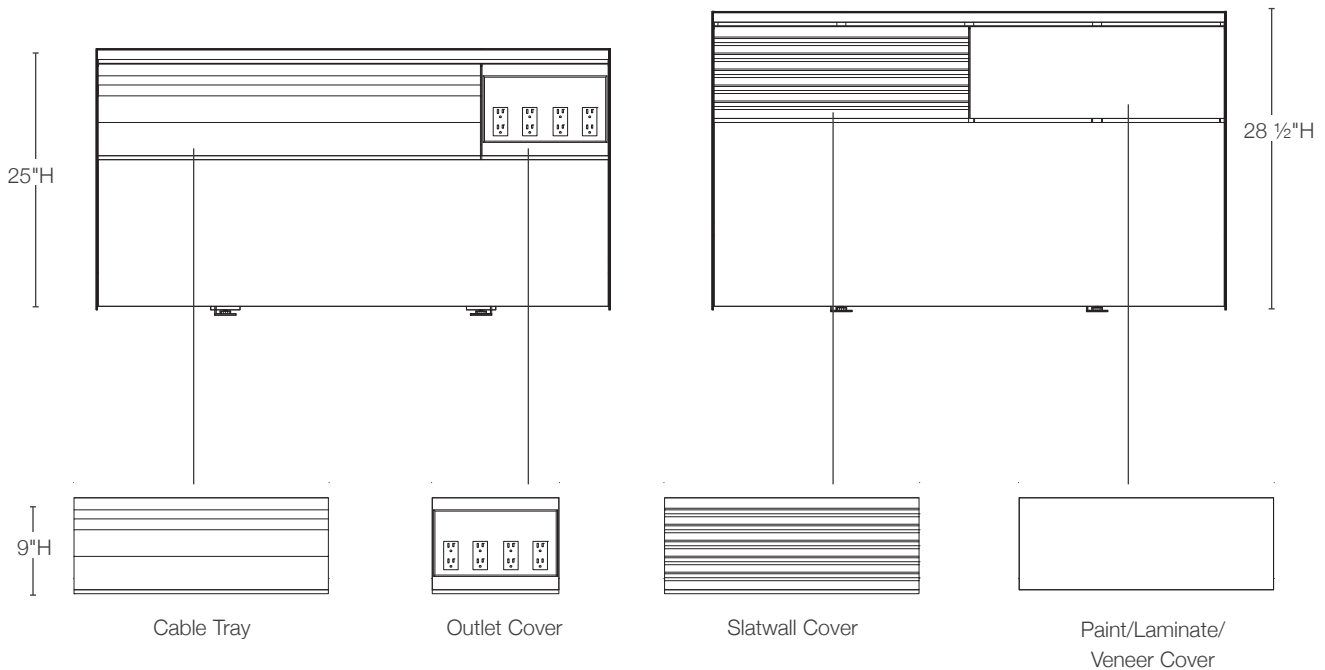
Construction

Modular outlet covers are constructed of injection molded plastic and hardwire outlet covers are formed steel. Cable trays and slatwall are extruded aluminum with integral top and bottom hook details. Painted, laminate and veneer upper covers have a 1/2" thick wood core with top and bottom aluminum extrusions to engage to the stud clips.

Specification Options

Outlet covers, cable tray, slatwall, and painted upper covers are available in any Knoll core paint finish. Laminate covers are available in any Knoll core laminate finish. Veneer covers are available in any Knoll core Techwood or natural veneer finish. Veneer and patterned laminate upper covers are only available in widths up to 48".

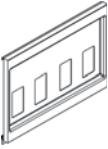


Elevation of Upper Covers for 25" and 28 1/2" High Fence



Upper Covers


Outlet, Cable Tray and Slatwall Covers

For 25" or 28" High Fence

description	type	w	d	h	pattern no.	list
Upper Outlet Covers 	Modular	12"	1"	9"	YFCOC	\$45.
	Hardwire	12"	1"	9"	YFCHOC	112.
Upper Cable Tray Covers 		12"	1"	9"	YFC0912C	45.
		24"	1"	9"	YFC0924C	79.
		36"	1"	9"	YFC0936C	112.
		48"	1"	9"	YFC0948C	156.
		60"	1"	9"	YFC0960C	190.
		72"	1"	9"	YFC0972C	224.
Upper Slatwall Covers 		12"	1"	9"	YFC0912S	39.
		24"	1"	9"	YFC0924S	67.
		36"	1"	9"	YFC0936S	101.
		48"	1"	9"	YFC0948S	135.
		60"	1"	9"	YFC0960S	169.
		72"	1"	9"	YFC0972S	201.


Ordering Information	Order Code	Included With	Options
Upper Covers	Upper Covers	Upper Covers	Upper Covers
1. Pattern Number	<i>Example:</i> YFCOC, 118T		
2. Paint Finish	YFCOC Outlet Cover		
	118T Bright White Paint		

Upper Covers
Painted
 For 25" or 28" High Fence

description	w	d	h	pattern no.	list
Upper Painted Covers	12"	3/4"	9"	YFC0912P	\$150.
	24"	3/4"	9"	YFC0924P	161.
	36"	3/4"	9"	YFC0936P	173.
	48"	3/4"	9"	YFC0948P	184.
	60"	3/4"	9"	YFC0960P	219.
	72"	3/4"	9"	YFC0972P	241.

Ordering Information	Order Code	Included With	Options
Painted Covers	Painted Covers	Painted Covers	Painted Covers
1. Pattern Number	<i>Example:</i> YFC0936P, 118T		
2. Paint Finish	YFC Fence Cover		
	09 Height		
	36 Width		
	P Painted		
	118T Bright White Paint		

Upper Covers
Laminate
For 25" or 28" High Fence

description	w	d	h	pattern no.	list
Upper Laminate Covers	12"	3/4"	9"	YFC0912L	\$161.
	24"	3/4"	9"	YFC0924L	184.
	36"	3/4"	9"	YFC0936L	207.
	48"	3/4"	9"	YFC0948L	230.
	60"	3/4"	9"	YFC0960L	299.
	72"	3/4"	9"	YFC0972L	322.

Ordering Information

Laminate Covers

1. Pattern Number
2. Laminate Finish

Order Code

Laminate Covers

Example: **YFC0936L, 118**

YFC	Fence Cover
09	Height
36	Width
L	Laminate
118	Bright White Laminate


Included With

Laminate Covers

Options

Laminate Covers

Upper Covers
Veneer
For 25" or 28" High Fence

description	w	d	h	pattern no.	V1	V2	V3
Upper Veneer Covers	12"	3/4"	9"	YFC0912V	\$450.	\$519.	\$700.
	24"	3/4"	9"	YFC0924V	502.	576.	778.
	36"	3/4"	9"	YFC0936V	579.	666.	897.
	48"	3/4"	9"	YFC0948V	634.	730.	986.

Ordering Information	Order Code	Included With	Options
Veneer Covers	Veneer Covers	Veneer Covers	Veneer Covers
1. Pattern Number	<i>Example:</i> YFC0936V, Y316		
2. Veneer Finish	YFC Fence Cover		
	09 Height		
	36 Width		
	V Veneer		
	Y316 Maple		

Lower Covers

Planning Guidelines and Specifications

Fence Lower Covers

Lower covers fill the space below upper covers on Fence down to 1" above the floor level, which allows continuous cable entry/exit. Lower covers are planned in the lower section of Fence below upper covers and can be combined with adjacent full covers on the Fence. Lower covers attach using full width extrusions that hang from the middle position stud clips and snap onto the bottom position clips on the studs.

Specify 14" high lower covers for use with 25" high Fence and 17" high lower covers for use with 28 1/2" high Fence.

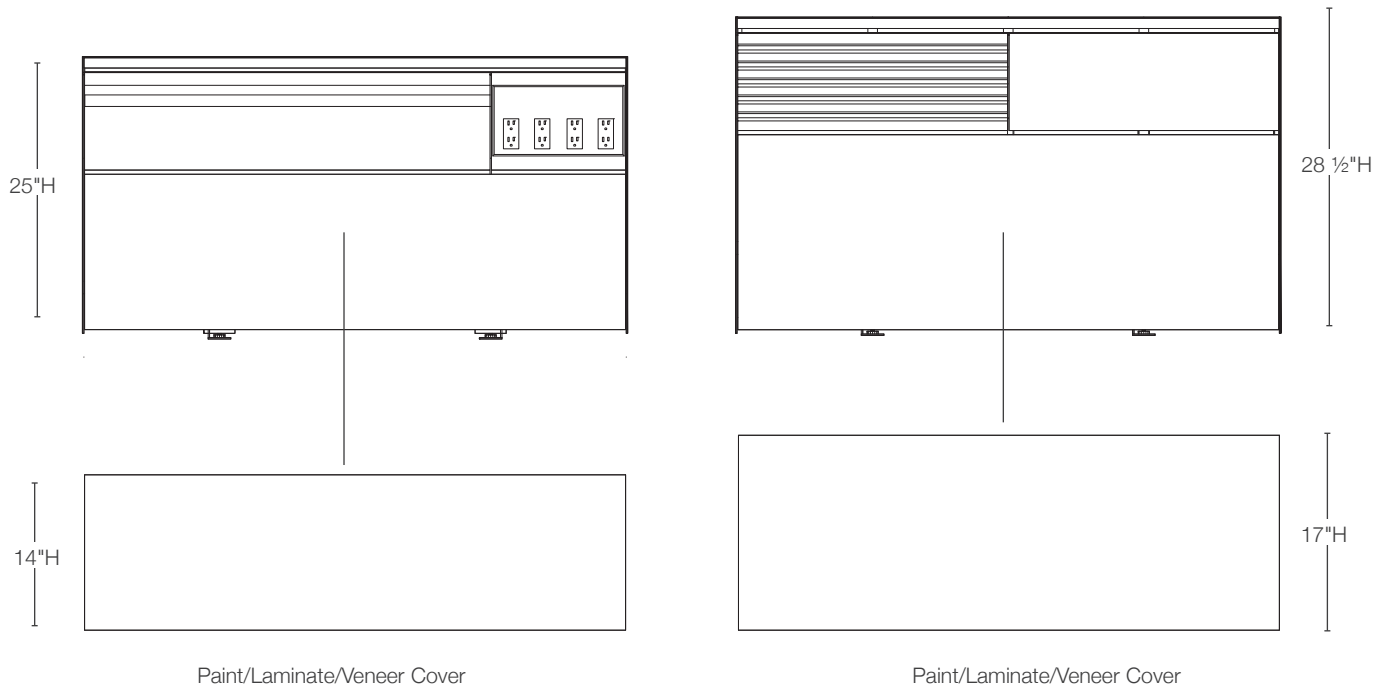
Construction

Painted, laminate and veneer upper covers have a 1/2" thick wood core with top and bottom aluminum extrusions to engage to the stud clips.

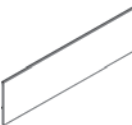
Specification Options


Painted upper covers are available in any Knoll core paint finish. Laminate covers are available in any Knoll core laminate finish. Veneer covers are available in any Knoll core Techwood or natural veneer finish. The grain direction is vertical for veneer covers. Veneer and patterned laminate upper covers are only available in widths up to 48".

Elevation of Lower Covers for 25" and 28 1/2" High Fence




Lower Covers
Painted
 For 25" or 28" High Fence


description	w	d	h	pattern no.	list
Lower Painted Covers for 25" High Fence 	12"	3/4"	14"	YFC1412P	\$150.
	24"	3/4"	14"	YFC1424P	161.
	36"	3/4"	14"	YFC1436P	173.
	48"	3/4"	14"	YFC1448P	184.
	60"	3/4"	14"	YFC1460P	219.
	72"	3/4"	14"	YFC1472P	241.

Lower Painted Covers for 28" High Fence 	12"	3/4"	17"	YFC1712P	150.
	24"	3/4"	17"	YFC1724P	161.
	36"	3/4"	17"	YFC1736P	173.
	48"	3/4"	17"	YFC1748P	184.
	60"	3/4"	17"	YFC1760P	219.
	72"	3/4"	17"	YFC1772P	241.

Ordering Information	Order Code	Included With	Options
Painted Covers	Painted Covers	Painted Covers	Painted Covers
1. Pattern Number	<i>Example:</i> YFC1736P, 118T		
2. Paint Finish	YFC Fence Cover		
	17 Height		
	36 Width		
	P Painted		
	118T Bright White Paint		

Lower Covers
Laminate
For 25" or 28" High Fence

description	w	d	h	pattern no.	list
Lower Laminate Covers for 25" High Fence 	12"	3/4"	14"	YFC1412L	\$161.
	24"	3/4"	14"	YFC1424L	184.
	36"	3/4"	14"	YFC1436L	207.
	48"	3/4"	14"	YFC1448L	230.
	60"	3/4"	14"	YFC1460L	299.
	72"	3/4"	14"	YFC1472L	322.

Lower Laminate Covers for 28" High Fence 	12"	3/4"	17"	YFC1712L	161.
	24"	3/4"	17"	YFC1724L	201.
	36"	3/4"	17"	YFC1736L	225.
	48"	3/4"	17"	YFC1748L	247.
	60"	3/4"	17"	YFC1760L	357.
	72"	3/4"	17"	YFC1772L	375.

Ordering Information

Laminate Covers

1. Pattern Number
2. Laminate Finish

Order Code

Laminate Covers	
<i>Example: YFC1736L, 118</i>	
YFC	Fence Cover
17	Height
36	Width
L	Laminate
118	Bright White Laminate

Included With

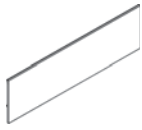
Laminate Covers

Options

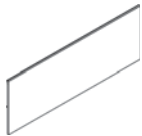
Laminate Covers

Lower Covers
Veneer
For 25" or 28" High Fence

description	w	d	h	pattern no.	V1	V2	V3
Lower Veneer Covers for 25" High Fence	12"	3/4"	14"	YFC1412V	\$469.	\$539.	\$728.
	24"	3/4"	14"	YFC1424V	533.	613.	827.
	36"	3/4"	14"	YFC1436V	617.	709.	958.
	48"	3/4"	14"	YFC1448V	674.	774.	1,046.



Lower Veneer Covers for 28" High Fence	12"	3/4"	17"	YFC1712V	474.	545.	737.
	24"	3/4"	17"	YFC1724V	542.	624.	842.
	36"	3/4"	17"	YFC1736V	629.	725.	977.
	48"	3/4"	17"	YFC1748V	697.	801.	1,082.



Ordering Information	Order Code	Included With	Options
Veneer Covers	Veneer Covers	Veneer Covers	Veneer Covers
1. Pattern Number	<i>Example:</i> YFCO936V, Y316		
2. Veneer Finish	YFC Fence Cover		
	09 Height		
	36 Width		
	V Veneer		
	Y316 Maple		

Full Covers

Planning Guidelines and Specifications

Fence Full Covers

Full covers fill the entire side of Fence, from the space below the crown down to 1" above the floor allowing continuous cable entry/exit. Full covers can be planned adjacent to any combination of upper and lower covers on Fence. Full covers attach using full width extrusions that hang from the top position stud clips and snap onto the bottom stud clips.

Specify 23" high full covers for use with 25" high Fence and 26" high full covers for use with 28 ½" high Fence.

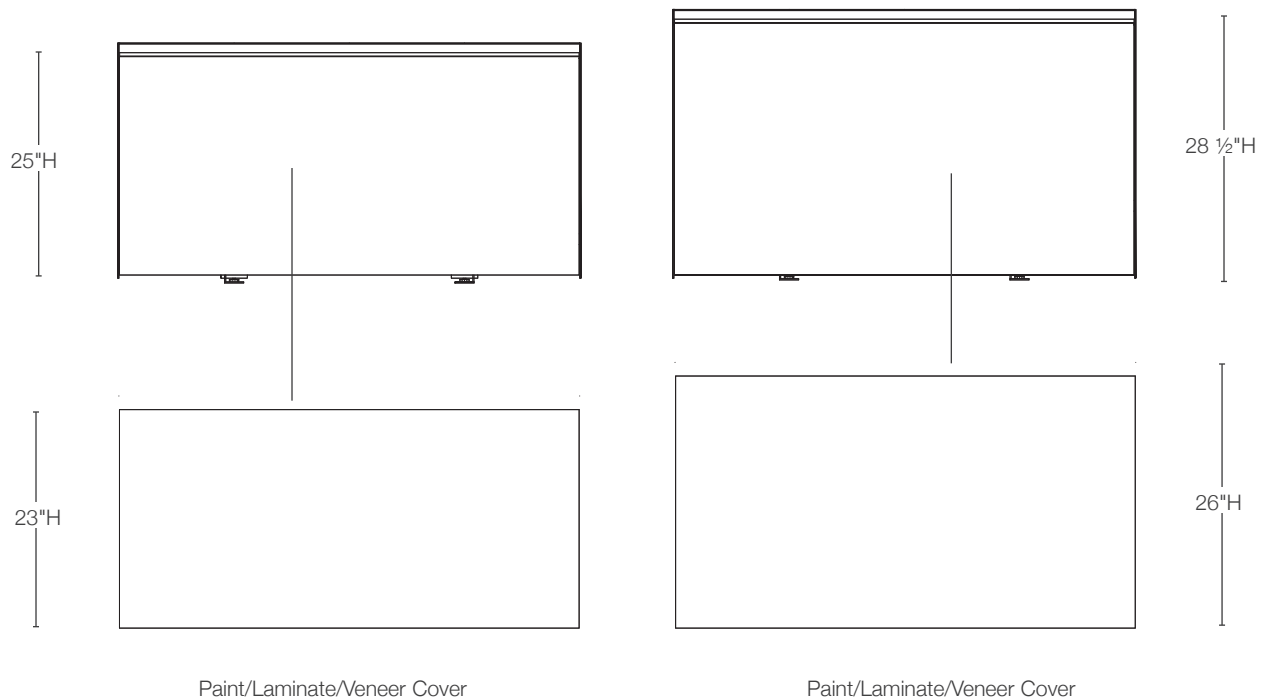
Construction

Painted, laminate and veneer full covers have a ½" thick wood core with top and bottom aluminum extrusions to engage to the stud clips.

Specification Options

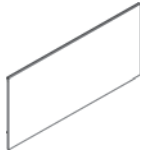
Painted full covers are available in any Knoll core paint finish. Laminate full covers are available in any Knoll core laminate finish. Veneer full covers are available in any Knoll core Techwood or natural veneer finish. The grain direction is vertical for veneer covers. Veneer and patterned laminate upper covers are only available in widths up to 48".

Elevation of Full Covers for 25" and 28 ½" High Fence

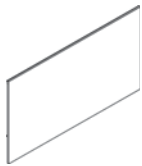


Full Covers
Painted
 For 25" or 28" High Fence

description	w	d	h	pattern no.	list
Full Painted Covers for 25" High Fence	24"	3/4"	23"	YFC2324NP	\$167.
	36"	3/4"	23"	YFC2336NP	179.
	48"	3/4"	23"	YFC2348NP	190.
	60"	3/4"	23"	YFC2360NP	230.
	72"	3/4"	23"	YFC2372NP	254.



Full Painted Covers for 28" High Fence	24"	3/4"	26"	YFC2624NP	167.
	36"	3/4"	26"	YFC2636NP	179.
	48"	3/4"	26"	YFC2648NP	190.
	60"	3/4"	26"	YFC2660NP	230.
	72"	3/4"	26"	YFC2672NP	254.



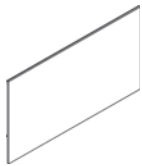
Ordering Information	Order Code	Included With	Options
Painted Covers	Painted Covers	Painted Covers	Painted Covers
1. Pattern Number	<i>Example:</i> YFC2636NP, 118T		
2. Paint Finish	YFC2 Fence Cover		
	26 Height		
	36 Width		
	N No outlets		
	P Painted		
	118T Bright White Paint		

Full Covers
Laminate
For 25" or 28" High Fence

description	w	d	h	pattern no.	list
Full Laminate Covers for 25" High Fence	24"	3/4"	23"	YFC2324NL	\$241.
	36"	3/4"	23"	YFC2336NL	265.
	48"	3/4"	23"	YFC2348NL	299.
	60"	3/4"	23"	YFC2360NL	380.
	72"	3/4"	23"	YFC2372NL	415.



Full Laminate Covers for 28" High Fence	24"	3/4"	26"	YFC2624NL	241.
	36"	3/4"	26"	YFC2636NL	265.
	48"	3/4"	26"	YFC2648NL	299.
	60"	3/4"	26"	YFC2660NL	380.
	72"	3/4"	26"	YFC2672NL	461.



Ordering Information

Laminate Covers

1. Pattern Number
2. Laminate Finish

Order Code

Laminate Covers

Example: **YFC2636NL, 118**

YFC2 Fence Cover

26 Height

36 Width

N No outlets

L Laminate

118 Bright White Laminate

Included With

Laminate Covers

Options

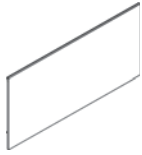
Laminate Covers

Full Covers

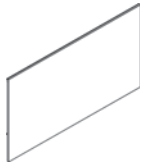
Veneer

For 25" or 28" High Fence

description	w	d	h	pattern no.	V1	V2	V3
Full Veneer Covers for 25" High Fence	24"	3/4"	23"	YFC2324NV	\$563.	\$647.	\$875.
	36"	3/4"	23"	YFC2336NV	657.	757.	1,022.
	48"	3/4"	23"	YFC2348NV	730.	839.	1,133.



Full Veneer Covers for 28" High Fence	24"	3/4"	26"	YFC2624NV	572.	658.	912.
	36"	3/4"	26"	YFC2636NV	675.	776.	1,047.
	48"	3/4"	26"	YFC2648NV	746.	858.	1,159.



Ordering Information

Veneer Covers

1. Pattern Number
2. Veneer Finish

Order Code

Veneer Covers

Example: **YFC2636NV, Y316**

YFC2 Fence Cover

26 Height

36 Width

N No outlets

V Veneer

Y316 Maple

Included With

Veneer Covers

Options

Veneer Covers

Ceiling

Floor



Pole without Cover



Pole with Covers (no outlets)



Pole with Covers (no outlets) with Grommet one side



Pole with Covers, Low Range Outlets (12"/18"/24"/30")



Pole with Covers, Medium Range Outlets (12"/18"/36"/42")



Pole with Covers, High Range Outlets (12"/18"/60"/66")



Extension Pole

Interpole Planning Guidelines

Interpole is a unique vertical planning approach based on a floor to ceiling H-pole applicable in open plan, private offices and activity spaces. Interpole poles incorporate two channels which may be open or enclosed, and two continuous slots for mounting shelves, accessories or KnollExtra Sapper monitor supports at any height.

Interpole enables four distinct planning applications: hub, display, conduit and screen.

Hub

Interpole distributes two circuit power from floor or ceiling to outlets at lounge, desk or standing height to serve as a recharge station for portable devices.

Display

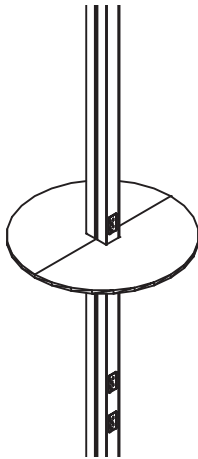
Interpole with monitor support can serve as a technology mast in private offices or community spaces.

Conduit

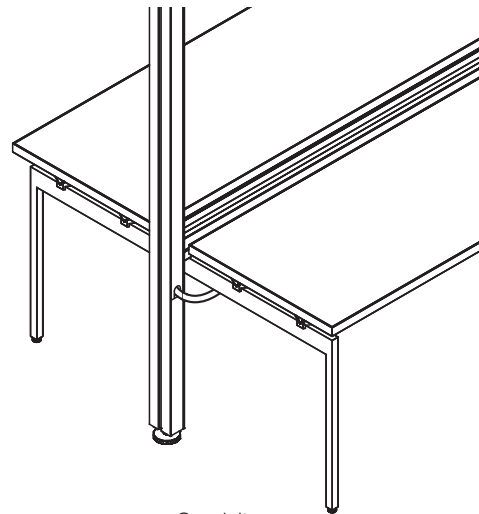
Interpole can route ceiling infeeds of power and communications cables in separate channels to supply Antenna workspaces linked desks, big table or Fence, or clusters of Dividends Horizon, AutoStrada, Reff Profiles or Morrison panel systems.

Screen

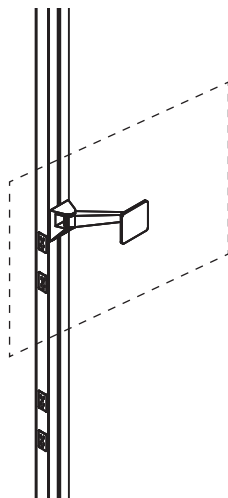
Interpole whiteboard, translucent glass or tackable screens mount between poles with or without covers to define boundaries of team meeting and community spaces with a functional surface.



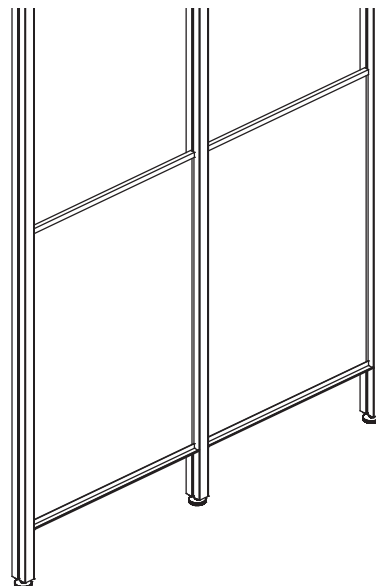
Hub



Conduit



Display



Screen

Interpole Poles and Covers

Planning Guidelines and Specifications

Interpole is an independent system of poles, modular power components, screens and accessories that can be planned in combination with Antenna Workspaces desks and tables, big tables and Fence, other systems products or seating to serve and define a variety of workspaces.

Interpole Poles

The fundamental planning component is an H-shape, $2 \frac{3}{8}$ " x $3 \frac{1}{2}$ " pole that spans between and connects to the building floor and structural ceiling.

Poles and covers are 12'-3" tall and can be trimmed to fit lower overall ceiling height. Extension poles 47" tall are available to extend height to fit taller spaces.

Poles engage a mounting bracket fastened to the floor and ceiling deck and "levelers" extend for a compression fit. A set screw at the top of the pole locks the pole securely into position.

Screens, platforms, monitor supports and accessories mount to continuous slots on the two wide sides. Poles can be ordered with covers for U-shape open channels on each narrow side to enclose modular power or 2.36 square inch cross-section for cable distribution.

Cable capacity for Pole channel with a maximum fill of 50% is 16 category 6 cables and 12 category 6a cables per side.

For use as a hub for power or as a monitor support poles should be specified with covers with outlet openings. Extension poles are only available with covers and include a hardware kit for attachment. Extension poles can be cut into shorter segments to extend multiple poles. Each additional segment will require an extension pole extra hardware mounting kit. Maximum overall height capable is one 12' 3" pole and one 47" extension pole.

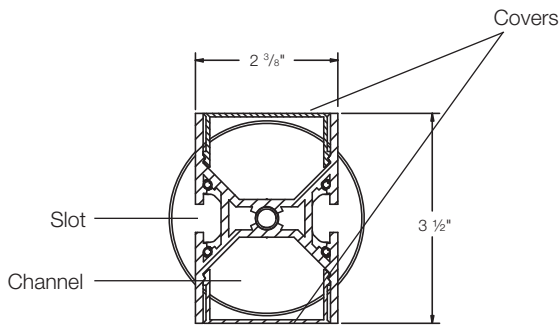
For ceiling infed to Antenna or other systems, poles should be ordered with covers without outlets openings. For support of screens poles can be ordered with or without covers.

Construction

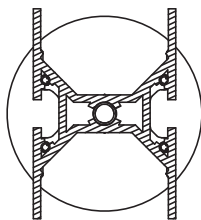
Interpole poles and covers are extruded aluminum. Levelers are steel threaded stems with painted surface on molded ABS caps. Ceiling and floor mounting plates are painted steel.

Specification Options

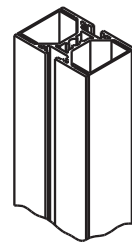
Poles and covers can be specified in natural anodized aluminum (AA) or powder coated Bright White finish (118T). Leveler caps are painted black.



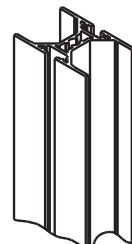
Pole Section with Covers



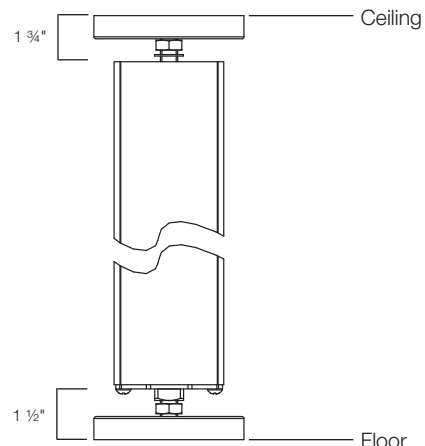
Pole Section without Covers



Pole with Covers



Pole without Covers



Ceiling/Floor Detail

Interpole Poles and Covers

Planning Guidelines and Specifications

Pole Cover Options

Poles with covers can be ordered with four outlet openings on one or both sides, in three height combinations:

Low: outlets centered at 12", 18", 24", 30" above floor (lounges and desk height)

Medium: outlets centered at 12", 18", 36", 42" above floor (standing height)

High: outlets centered at 12", 18", 60", 66" above floor (TV height)

Outlet openings can be used for Interpole duplex outlets, Decora-size communications faceplates, or filled with a blank faceplate.

Poles can also be ordered without covers, with covers that do not have outlet openings (as for ceiling infeed to adjacent Fence or panel base raceway), or with one cover that has a grommet at the bottom. The grommet can be positioned at any height to enable a ceiling infeed to exit the pole at desk or big table height by shifting the cover up to the desired height. Then the top end of the cover can be trimmed onsite to fill in below the grommet opening.

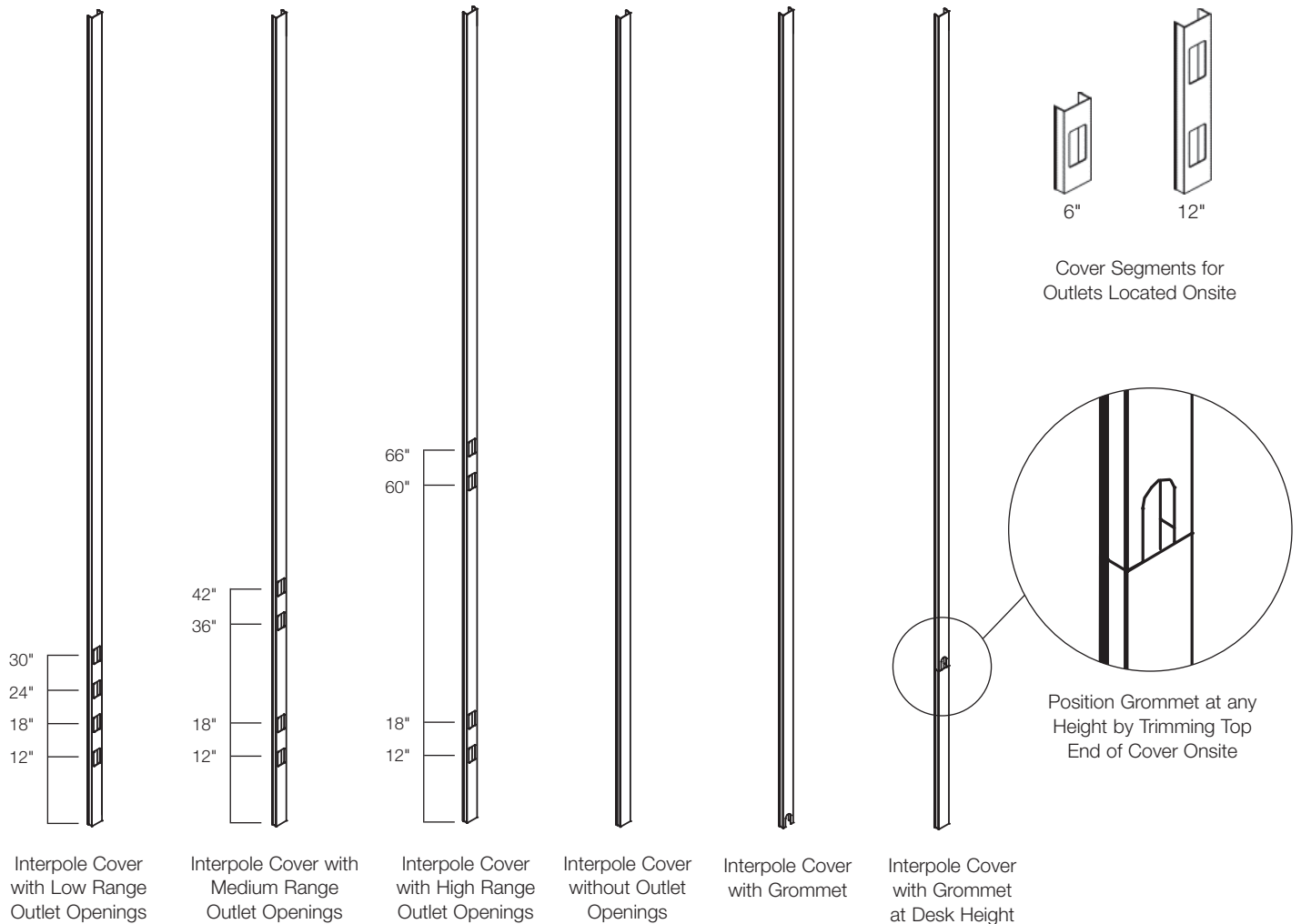
Covers are also available in a 6" or 12" segment for one or two outlet openings to be positioned anywhere on a pole. This can be especially useful when a single outlet is required behind a TV and no outlets are needed below. In this case specify a pole with covers without outlets, and trim a side cover to fit above and below the outlets cover segment.

Construction

Interpole poles and covers are extruded aluminum. Levelers are steel threaded stems with painted surface on molded ABS caps. Ceiling and floor mounting plates are painted steel.





Specification Options

Poles and covers can be specified in natural anodized aluminum (AA) or powder coated Bright White finish (118T). Leveler caps are painted black.



Interpole Poles and Covers

Without Outlets (no holes for power)

description	type	w	d	h	pattern no.	AA	118T
Pole with covers, no outlet openings 	Straight	2.3"	3.5"	144"	IPSCNN144	\$2,175.	\$2,575.
Pole with covers, no outlet openings, grommet in one cover 	Straight	2.3"	3.5"	144"	IPSCNG144	2,265.	2,670.
Extension Pole with covers 	Straight	2.3"	3.5"	47"	IPESCNN47	1,220.	1,468.
Pole without covers 	Straight	2.3"	3.5"	144"	IPSN144	1,505.	1,665.

Ordering Information

Interpole Poles Without Outlets

1. Pattern Number
2. Finish

Order Code

Interpole Poles Without Covers

Example: **IPSCNG144, 118T**

IP	Interpole
S	Straight
C	Covers
N	No Outlets
G	Grommet in one cover
114	Height
118T	Bright White Paint

Included With

Interpole Pole
Attachment Hardware


Extension Pole
(2) Splices
(8) Screws

Options

Interpole Pole

Finish Options:
(AA) = Anodized Aluminum
(118T) = Bright White Paint

Interpole Poles and Covers With Outlets

description	type	w	d	h	pattern no.	AA	118T
 Poles with covers, with outlet openings one side	Straight high range	2.3"	3.5"	144"	IPSCNH144	\$2,415.	\$2,815.
	Straight low range	2.3"	3.5"	144"	IPSCNL144	2,415.	2,815.
	Straight medium range	2.3"	3.5"	144"	IPSCNM144	2,415.	2,815.

IPSCNL144 shown

 Poles with covers, with outlet openings both sides	Straight high range	2.3"	3.5"	144"	IPSCHH144	2,570.	2,975.
	Straight low range	2.3"	3.5"	144"	IPSCLL144	2,570.	2,975.
	Straight medium range	2.3"	3.5"	144"	IPSCMM144	2,570.	2,975.

IPSCLL144 shown

Ordering Information

Interpole Poles With Outlets

1. Pattern Number
2. Finish

Order Code

Interpole Poles With Outlets

Example: **IPSCHH144, AA**

IP	Interpole
S	Straight
C	Covers
HH	High Outlets Two Sides
114	Height
AA	Anodized Aluminum

Included With

Interpole Pole
Attachment Hardware

Options

Interpole Pole

Finish Options:
(AA) = Anodized Aluminum
(118T) = Bright White Paint

Interpole power system is a two-circuit, four wire system of snap together outlets, connectors between outlets and infeed from junction box in floor or ceiling.

Duplex outlets are available preconfigured for either circuit 1 or circuit 2. Duplex outlets include a bracket that lets them attach to the inside of the pole channel at any height. Poles ordered with openings have mounting positions for outlets corresponding to openings in covers.

Power connectors are available for adjacent outlets separated by 6" on center, outlets separated by 18" on center, or for outlets separated by 42" on center.

Interpole power infeeds include one end with a modular connector to the first duplex outlet, a flexible metal conduit, and a pigtail for connection to a code approved junction box supplied by the electrical contractor. The conduit length can be ordered in 6', 8', 10' or 18' lengths depending on the distance between the first outlet and the junction box in the floor or ceiling.

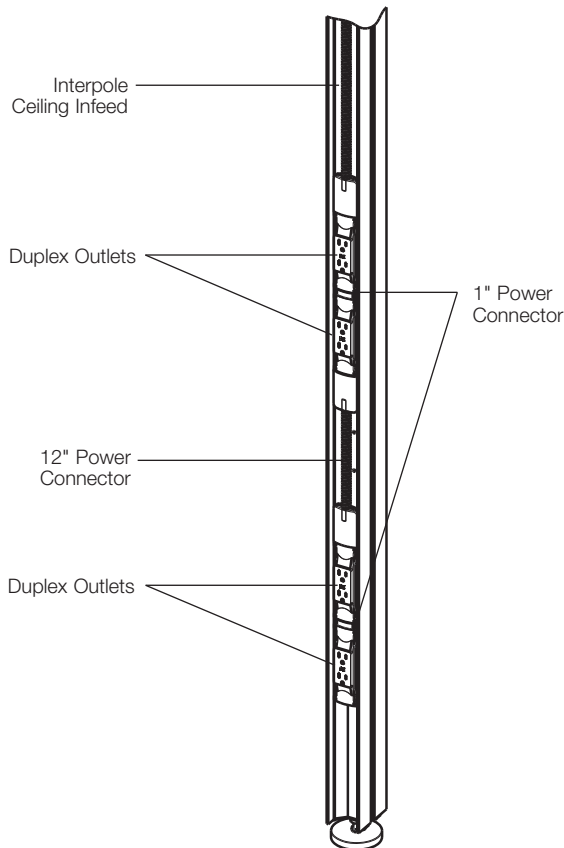
The pole levelers create a 1 1/2" space between the pole and the floor or ceiling to facilitate cable entry and exit, which can be increased by trimming the cover onsite.

Communications cables can be routed through the side of a pole that does not contain power components to provide separation. Cable capacity in each channel is maximum 3 square inch cross section. A flexible cover liner is available to protect cables from trimmed cover ends.

One to three communications cables can also be routed from the ceiling through the side of a pole that does have power infeed but should exit the pole through a hole in the cover or be terminated in a communications faceplate above the power outlets. The flexible conduit enclosing the power infeed will provide separation of high and low voltage distribution.

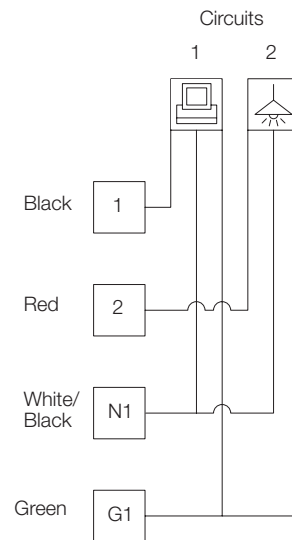
Specification Options

For duplex outlets specify black (B) or white (W).






Pole without Covers with Medium Range Outlets, Connectors and Ceiling Infeed

Wiring Diagram (two-circuit, four wire)



Interpole Power Components

Power to Outlets within Interpole

description	type	w	d	h	pattern no.	B	W	list
 Duplex Outlet	Circuit 1				IPRD1()	\$138.	\$152.	
	Circuit 2				IPRD2()	138.	152.	
 Power Connectors between Outlets	Outlets 6" apart o.c.			1"	IPRC6			24.
	Outlets 18" apart o.c.			12"	IPRC18			107.
	Outlets 30" apart o.c.			24"	IPRC30			123.
	Outlets 42" apart o.c.			36"	IPRC42			139.
 Modular Infeeds from Ceiling J-Box	From 12' ceiling to outlets at 66"			72"	IPRCF72			192.
	From 12' ceiling to outlets at 42"			96"	IPRCF96			225.
	From 12' ceiling to outlets at 30"			120"	IPRCF120			258.
	Very high ceiling			180"	IPRCF180			342.
Edge Liner	Set of 10 for field cut cover				IPEL			86.
Blank Outlet Filler	For use with Interpole				IPROF			30.

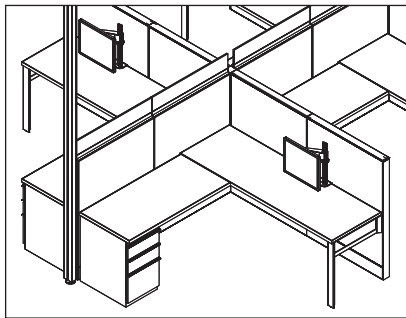
Ordering Information	Order Code	Included With	Options
Electrical Components 1. Pattern Number Duplex Outlet 1. Pattern Number 2. Finish	Electrical Components <hr/> <i>Example:</i> IPRCF120 <hr/> IP Interpole <hr/> RCF Ceiling Infeed <hr/> 120 Height <hr/> Duplex Outlet <hr/> <i>Example:</i> IPRD1W <hr/> IPRD Interpole Receptacle Duplex <hr/> 1 Circuit 1 <hr/> W White	Electrical Components	Electrical Component Duplex Outlet Finish Options: (B) Black (W) White Blank Outlet Filler Finish Options: (BLK) Black (GRY) Grey

Ceiling infeeds to Antenna Workspaces and other Knoll systems

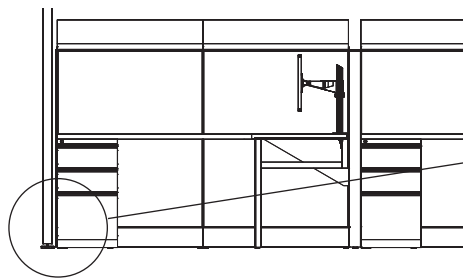
Power infeeds to open plan systems can be routed through a pole channel that has no Interpole power components or outlet openings. Pole should be positioned no more than 18" away from systems furniture.

Power infeed should be ordered in a length adequate to connect from junction box in ceiling, through Interpole pole to power harness in adjacent Antenna desk, big table or Fence, or panel system base infeed location.

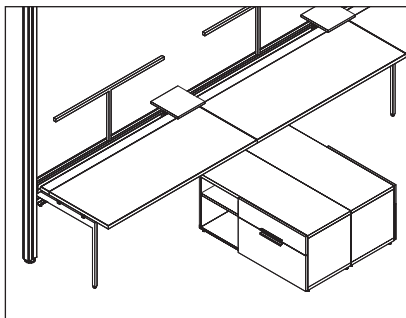
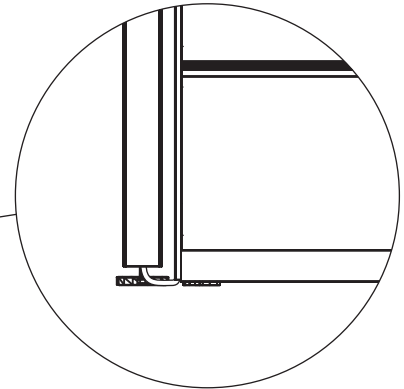
Ceiling infeeds for Antenna Workspaces are available in 2+2, eight wire, four circuit, or 3+3, ten wire, six circuit configurations, in two lengths: 12' or 20' long. Standard ceiling infeeds for Dividends Horizon, AutoStrada or Reff Profiles applications are available in various circuit configurations and lengths (see each catalog for more information).



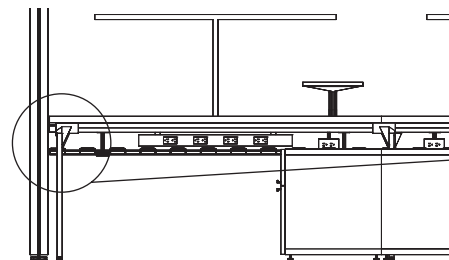
Conduit to Dividends Horizon Panels



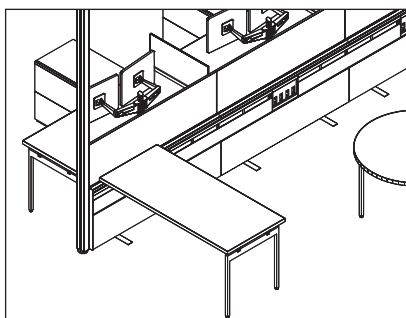
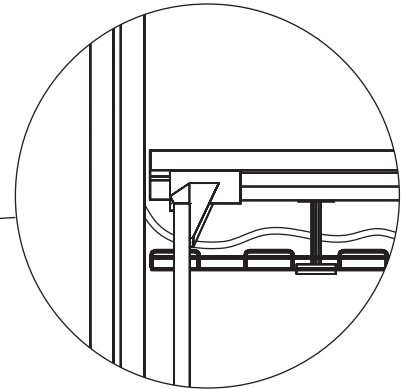
Elevation of conduit to Dividends Horizon Panels



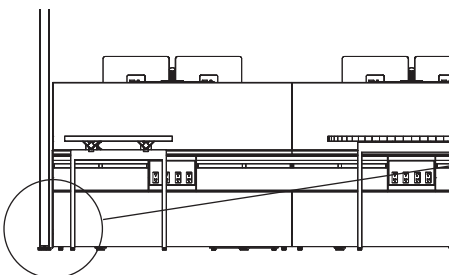
Conduit to Antenna Workspaces Single-Sided Basic Big Table



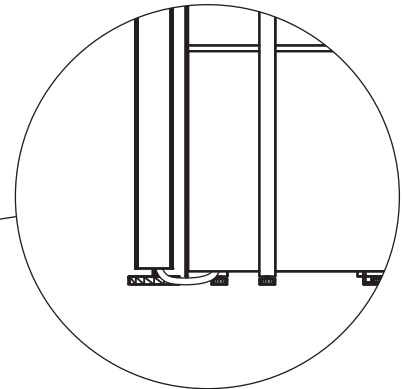
Elevation of conduit to Antenna Workspaces Single-Sided Basic Big Table



Conduit to Antenna Fence

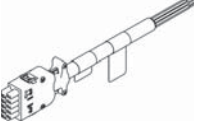

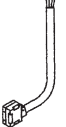


Elevation of Conduit to Antenna Fence



Interpole Power Components

Ceiling Infeeds to other Systems

description	type	length	pattern no.	list
Ceiling infeed passing through Interpole to Antenna desk, Big Table or Fence 	2+2	12'	YR1EPIC12	\$422.
	2+2	20'	YR1EPIC20	768.
	3+3	12'	YR1TPIC12	457.
	3+3	20'	YR1TPIC20	805.
Ceiling infeed passing through Interpole to Dividends Horizon Panels 	2+2	19 1/2'	DE18CI144	331.
	3+1	19 1/2'	DE1ECI144	300.
	3+3	19 1/2'	DE1TCI144	382.
Ceiling infeeds passing through Interpole to Reff Profiles panels 	2+2	13'	RR3EPVR	302.
	3+3	13'	RR3TPVR	365.
Ceiling infeeds passing through Interpole to AutoStrada Spine	2+2	145"	AR1EPIC	246.
	3+3	145"	AR1TPIC	280.

Ordering Information

Interpole Ceiling Infeed

1. Pattern Number

Order Code

Interpole Ceiling Infeed

Example: **YR1TPIC12**

YR1 Antenna Power Component

TP 10 Wire

IC Interpole Ceiling Infeed

12 Length

Included With

Interpole Ceiling Infeed

Options

Interpole Ceiling Infeed

Interpole Accessories

Interpole cable clips engage the slot on each wide side to manage a bundle of cables up to 3/4" in diameter. Cable clips are medium grey plastic, available in a kit of 50.

Ceiling tile trim kit is designed to trim the edge of a suspended ceiling tile cut to fit around the Interpole pole.

Interpole poles have two continuous vertical slots that are ready to accept monitor supports. Interpole-specific Sapper mounts are available for standard monitor arm, sleeve arm, Sapper 50 monitor arm and Sapper 50 sleeve arm. Interpole slot mounting options and arms can be ordered as a complete kit or a la carte in the KnollExtra Sapper Monitor Arm collection.

PC mounting bracket is a flat plate with holes corresponding to standard 4" x 4" array of four mounting holes on a small form factor PC. PC mounting bracket is black painted finish only.

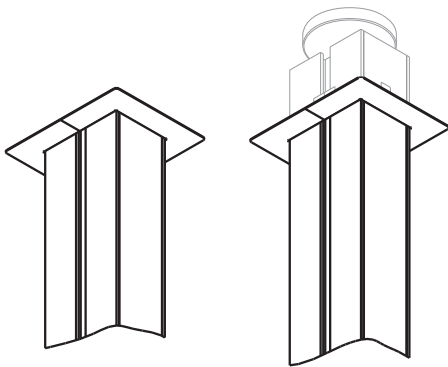
Cantilever shelf supports remotes or small portable electronics on the pole at any height. Shelf is 12" x 12" x 3/4" thick, with laminate or veneer surface, mounted on an Antenna L-bracket to the slot on either side of a pole. Maximum weight limit for the cantilever shelf is 58 lbs.

Construction

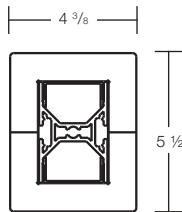
Cantilever shelf is solid MDF with laminate top and bottom and matching ABS edge or veneer on all surfaces. Ceiling tile trim kit is painted steel, in two interlocking parts, with a 1" wide frame around pole.

Specification Options

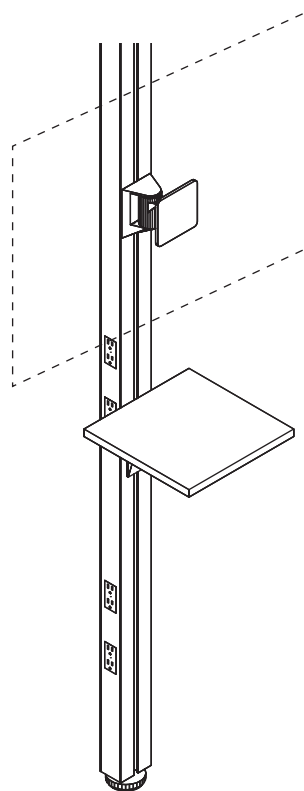
For cantilever shelf specify laminate (L) or veneer (V) in any core laminate or veneer finish. Cantilever support bracket is available in any Knoll core paint finish, Dark Red or Slate Blue. Ceiling tile trim kit is available in painted Silver (613) or Bright White (118T).



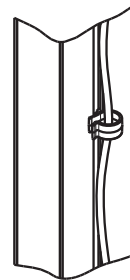
Detail of Ceiling Trim Mounted on Pole with Covers



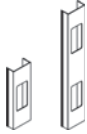


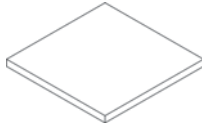


Section of Ceiling Trim and Pole with Covers



Slot Mount Sapper Sleeve Arm Mounted on Pole with Covers and Medium Range Outlets



Cable Clip for Interpole

description	type	w	d	h	pattern no.	AA	118T	Laminate (L)	V1 (V)	V2 (V)	V3 (V)	list
Outlet Covers 	One opening	2"	6"		IPOC6	\$195.	\$203.					
	Two openings	2"	12"		IPOC12	211.	223.					
Cable Clips for Interpole 	Package of 50				YR1BCC50							264.
Ceiling Tile Trim 	For use with Interpole Poles with Covers				IPCT							72.
Extension Pole Extra Hardware Kit	For attaching additional extension pole segments				IPEX							200.
Cantilever Shelf 	Square 12x12	12"	12"	3/4"	IPCS1212()			160.	300.	345.	450.	
Coat Hook 	For use with Interpole slot				IPCH							32.
Bag Hook 	For use with Interpole slot				IPBH							30.

Ordering Information

Antenna Outlet Cover

1. Pattern Number
2. Finish

Cantilever Shelf

1. Pattern Number
2. Surface Finish
3. Bracket Paint Finish

Hooks

1. Pattern Number
2. Paint Finish

Order Code

Antenna Outlet Covers

Example: **IPOC12, 118T**

IPOC Interpole Outlet Cover

12 Height

118T Bright White Paint

Cantilever Shelf

Example: **IPCS1212L, 118, 118T**

IP Interpole

CS Cantilever Shelf

12 Width

12 Depth

L Laminate

118 Bright White Laminate

118T Bright White Paint

Included With

Antenna Outlet Covers

Extension Pole Hardware Kit

- (2) Splices
(8) Screws

Cantilever Shelf

Bracket
Attachment Hardware

Hooks

Attachment Hardware

Options

Antenna Outlet Covers

Finish Options:

(AA) = Anodized Aluminum
(118T) = Bright White Paint

Ceiling Tile Trim

Finish Options:

(613) = Silver
(118T) = Bright White Paint

Cantilever Shelf

Finish Options:

(L) Laminate
(V) Veneer

Hooks

Finish Options:

(111) Jet Black
(115) Medium Grey
(118) Bright White
(130) Dark Red
(131) Slate Blue

Interpole Screens

Interpole screens plan between poles to create a markerboard or tackable surface and to delineate the boundary of an activity space. Screens include a perimeter frame that mounts on each vertical side to the slot of an Interpole. Screens planned end to end can share an Interpole between them for support.

Screen surface options are:

- Markerboard laminate on both sides
- Markerboard laminate on one side with tackable fabric on the other
- Translucent laminated glass
- Opaque markerboard laminated glass.

Any standard Antenna screen fabric is standard on Antenna Interpole screens. Laminate and glass markerboard surfaces should only be used with dry-erase markers.

Screen Planning Options

Interpole screens can be mounted at any height beginning 6" above the floor.

Interpole screens 64 1/2"H are typically mounted 10" above the floor to a horizon of 74 1/2" for boundary applications, or as high as 24" above the floor for most convenient access to marker tray in markerboard applications.

Interpole screens are available in every 6" increment of width from 36" to 60" between poles, aligning perfectly with corresponding Antenna Workspaces or other "full-module" desks or storage components. Screens plan full-module width plus 3" between centerlines of Poles.

Optional marker tray is deep enough to hold dry erase markers, erasers and pushpins on both faces of any type of screen. Marker tray includes a lip at the front edges aligning with the face of the poles. Marker tray is integral to the frame and can only be positioned at the bottom.

Note that screens utilize the side slot in which Sapper Monitor arms normally mount, so to mount a monitor to the face of a pole between two screens specify a "channel mount" version Sapper arm or sleeve mount.

Construction

Screen frames and optional marker trays are extruded aluminum with a natural anodized or painted surface. Frames mount to poles with steel brackets and flexnuts.

Optional marker tray replaces the bottom frame element of screens without a marker tray.

Screen surface options are:

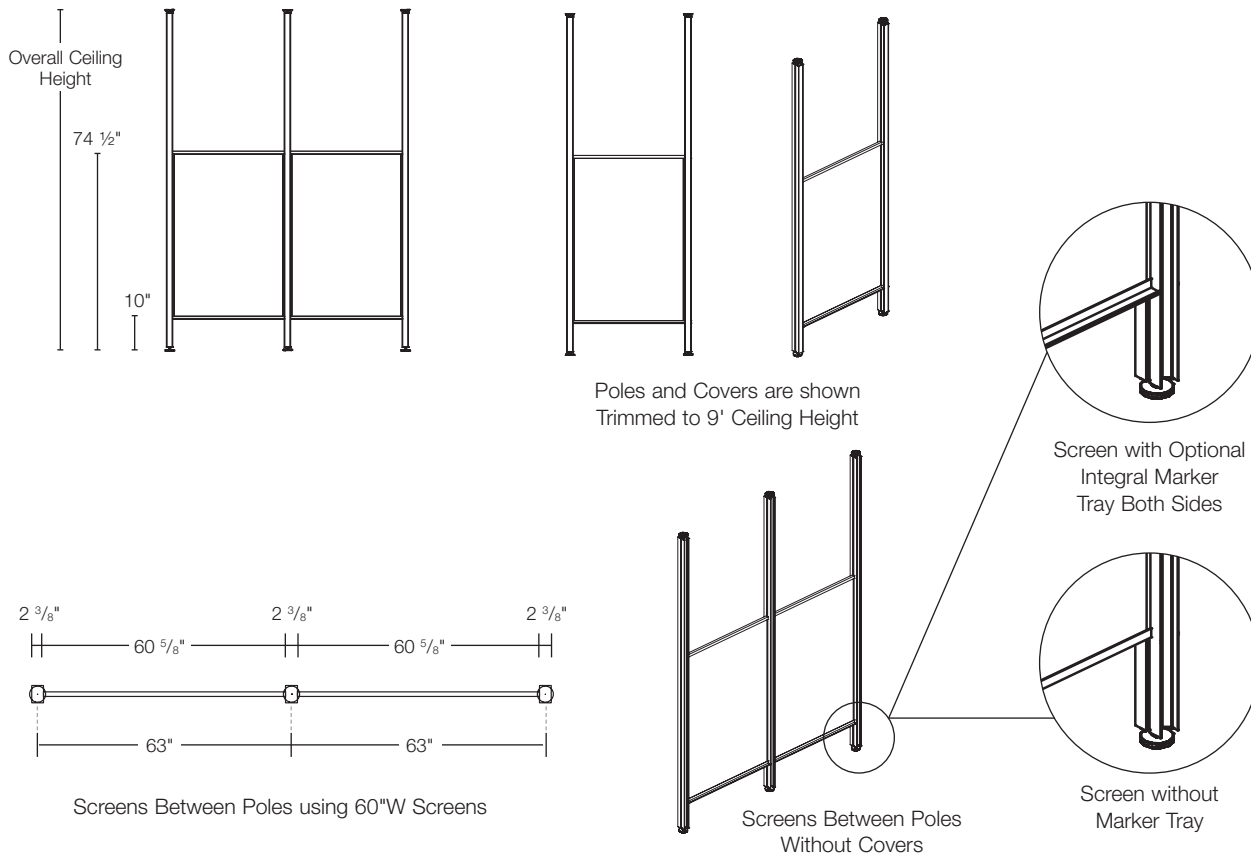
markerboard laminate on 3/4" fiberboard core, fabric on tackable 5/16" PET plus markerboard laminate on 3/8" fiberboard core with a paper backer, translucent laminated glass or opaque white laminated glass totaling 3/8" thickness and held in a frame with an ABS plastic extrusion.

Specification options

Screens are available with or without integral marker tray on both sides. Specify markerboard laminate both faces (LL), markerboard laminate one side, tackable fabric on the other (LF), opaque white laminated glass (GG) or translucent laminated glass (GT).

Specify natural anodized (AA) or Bright White (118) painted perimeter frame.

Specify Antenna screen fabric option.



Interpole Screens

Markerboard Laminate or Glass

64" High

description	w	d	h	pattern no.	list
Screens Between Poles, Laminated Opaque Glass Both Sides	36"	15/16"	64.5"	IPSC6436(N/T)GG	\$4,250.
	42"	15/16"	64.5"	IPSC6442(N/T)GG	4,820.
	48"	15/16"	64.5"	IPSC6448(N/T)GG	5,355.
	54"	15/16"	64.5"	IPSC6454(N/T)GG	5,950.
	60"	15/16"	64.5"	IPSC6460(N/T)GG	6,500.



(IPSC6448TGG shown)

Screens Between Poles, Laminated Translucent Glass Both Sides	36"	15/16"	64.5"	IPSC6436(N/T)GT	3,660.
	42"	15/16"	64.5"	IPSC6442(N/T)GT	4,130.
	48"	15/16"	64.5"	IPSC6448(N/T)GT	4,575.
	54"	15/16"	64.5"	IPSC6454(N/T)GT	5,075.
	60"	15/16"	64.5"	IPSC6460(N/T)GT	5,525.



(IPSC6448TGG shown)

Screens Between Poles, Markerboard Laminate Both Sides	36"	15/16"	64.5"	IPSC6436(N/T)LL	1,335.
	42"	15/16"	64.5"	IPSC6442(N/T)LL	1,385.
	48"	15/16"	64.5"	IPSC6448(N/T)LL	1,410.
	54"	15/16"	64.5"	IPSC6454(N/T)LL	1,490.
	60"	15/16"	64.5"	IPSC6460(N/T)LL	1,515.



(IPSC6448TGG shown)

Order Information

- Interpole Screens**
 1. Pattern Number
 2. Frame Paint Finish

Order Code

Interpole Screens	
<i>Example:</i> IPSC6448TGT, 118T	
IP	Interpole
SC	Screen
64	Height
48	Width
T	Marker Tray
GT	Translucent Glass
118T	Bright White Paint

Included With

Interpole Screens
 Attachment Hardware

Options

Interpole Screens
 (N) = No Marker Tray
 (T) = Integral Dual Marker Tray

Finish Options:
 (LL) = Markerboard Laminate both sides
 (GG) = Laminated Opaque Glass
 (GT) = Laminated Translucent Glass
 (LF) = Markerboard Laminate one side/Tackable Fabric other side

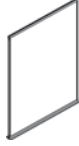
Frame Finish:
 (AA) = Anodized Aluminum
 (118T) = Bright White Paint

Interpole Screens

Markerboard/Tackable Fabric Combination

64" High

description	w	d	h	pattern no.	10	20	30	40	45
Screens Between Poles, Markerboard Laminate One Side/ Tackable Fabric Opposite Side	36"	15/16"	64.5"	IPSC6436(N/T)LF	\$1,530.	\$1,580.	\$1,608.	\$1,625.	\$1,725.
	42"	15/16"	64.5"	IPSC6442(N/T)LF	1,590.	1,638.	1,665.	1,682.	1,785.
	48"	15/16"	64.5"	IPSC6448(N/T)LF	1,640.	1,690.	1,716.	1,732.	1,835.
	54"	15/16"	64.5"	IPSC6454(N/T)LF	1,758.	1,805.	1,835.	1,850.	1,955.
	60"	15/16"	64.5"	IPSC6460(N/T)LF	1,780.	1,827.	1,855.	1,870.	1,975.



(IPSC6448TGG shown)

Order Information

- Interpole Screens**
1. Pattern Number
 2. Fabric Finish
 3. Frame Paint Finish

Order Code

Interpole Screens	
<i>Example:</i>	IPSC6448TGT, 118T
IP	Interpole
SC	Screen
64	Height
48	Width
T	Marker Tray
GT	Translucent Glass
118T	Bright White Paint

Included With

Interpole Screens
Attachment Hardware

Options

Interpole Screens
(N) = No Marker Tray
(T) = Integral Dual Marker Tray

Finish Options:
(LL) = Markerboard Laminate both sides
(GG) = Laminated Opaque Glass
(GT) = Laminated Translucent Glass
(LF) = Markerboard Laminate one side/Tackable Fabric other side

Frame Finish:
(AA) = Anodized Aluminum
(118T) = Bright White Paint

Antenna Screens

Antenna screens provide partial enclosure for workspaces to a horizon of 42"—seated visual access—or 49"—seated visual privacy, in four applications: desk mounted, floorstanding desk mounted, big table-mounted, and fence-mounted. In each application screens are available in a variety of surface finishes for aesthetics, performance and price point.

Desk Screens

Desk mounted screens provide enclosure both above and below the top, starting from either 10 ½" or 22 ½" above the floor. The 10 ½" starting point aligns with the bottom of suspended files or cabinets. The 22 ½" starting point aligns with the bottom of the horizontal element of a standard desk leg. Desk mounted screens attach directly to the back or end of a desk top with two brackets that also define a 1 ¼" offset for wire management and clamp-on accessories. Brackets are located 3 ½" from each end of screens 18"-30" wide and 12" from each

end of screens 36" and wider. Brackets will not interfere with standard leg cradles or rails but screens cannot be mounted at the end of desks with table desk end legs. Desk mounted screens cannot be mounted directly behind full depth floorstanding pedestals.

Desk mounted screens are not compatible with single sided big tables.

Screens are available in widths corresponding to standard top depths 18", 24", 27", 30" and desk widths from 36"-72" wide in 6" increments. In most applications screens can be mounted to matching width or wider tops. In back-to-back desk configurations screens cannot overlap back to back desk end legs.

Two types of screens are available:

- Frameless laminate, marker surface or veneer screens are ¾" thick with matching edge and crisp, eased corners.
- Fabric screens are 1 ¼" thick, with painted perimeter frame capturing a wood structural core and tackable, fabric wrapped inserts on each face.

Construction

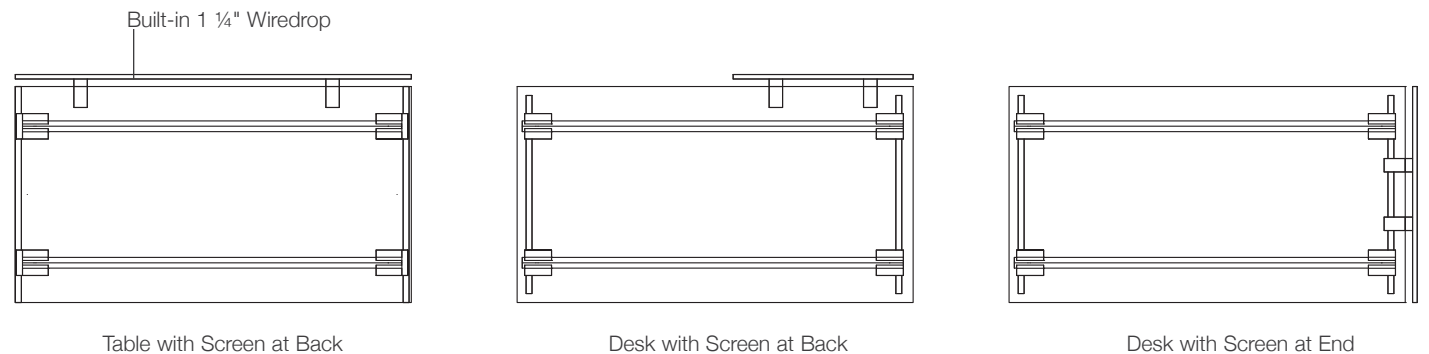
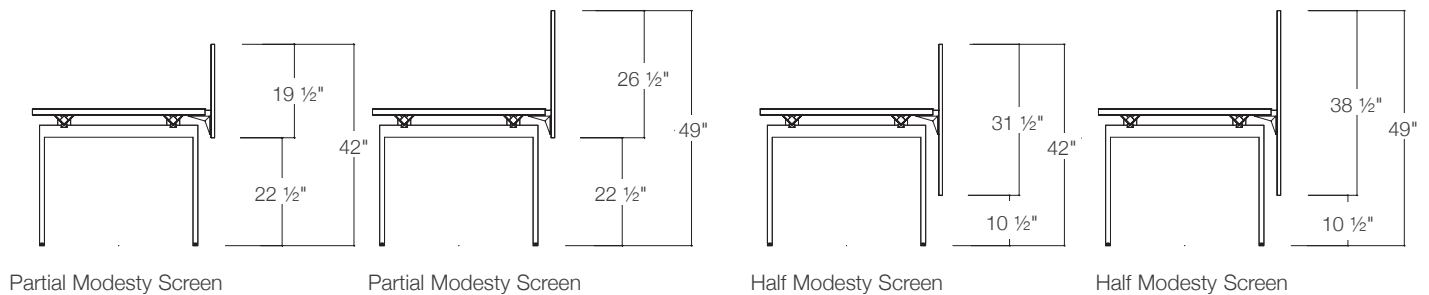
Frameless screens are ¾" MDF construction, with threaded inserts at bracket locations.

Fabric screens have a ½" MDF core, with ⅜" thick tackable PET material inserts on each side wrapped in fabric, and aluminum perimeter frame with seamless corners. Fabric screens have threaded metal inserts at bracket locations.

Specification Options

For frameless screens specify surface type: laminate (L) or veneer (V); finish, any core laminate or dry-erase marker surface (M), or any core Techwood or natural veneer. Brushed Sand (122) and Brushed Grey (123) are not available on laminate screens. Also specify bracket color, in any core paint finish.

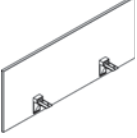
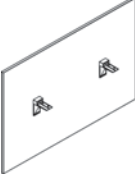
For fabric screens specify fabric, perimeter frame and brackets painted finishes.



Desk Screens

Fabric

For 42" High Horizon

description	w	d	h	pattern no.	10	20	30	40	45
Fabric Screens with Partial Modesty For Desks, 42" High Horizon 	24"	1 1/4"	20"	YPSB2024F	\$604.	\$634.	\$666.	\$696.	\$725.
	27"	1 1/4"	20"	YPSB2027F	622.	652.	683.	714.	745.
	30"	1 1/4"	20"	YPSB2030F	638.	671.	702.	735.	766.
	36"	1 1/4"	20"	YPSB2036F	711.	746.	782.	818.	853.
	42"	1 1/4"	20"	YPSB2042F	739.	776.	812.	850.	887.
	48"	1 1/4"	20"	YPSB2048F	761.	799.	837.	875.	913.
	54"	1 1/4"	20"	YPSB2054F	818.	859.	898.	940.	980.
	60"	1 1/4"	20"	YPSB2060F	867.	911.	955.	998.	1,041.
	66"	1 1/4"	20"	YPSB2066FRR	907.	953.	998.	1,043.	1,088.
	72"	1 1/4"	20"	YPSB2072FRR	935.	981.	1,029.	1,074.	1,122.
Fabric Screens with Half Modesty For Desks, 42" High Horizon 	24"	1 1/4"	32"	YPSB3224F	700.	735.	770.	805.	840.
	27"	1 1/4"	32"	YPSB3227F	750.	788.	825.	863.	899.
	30"	1 1/4"	32"	YPSB3230F	773.	811.	850.	889.	927.
	36"	1 1/4"	32"	YPSB3236F	873.	917.	960.	1,004.	1,047.
	42"	1 1/4"	32"	YPSB3242F	924.	970.	1,016.	1,062.	1,108.
	48"	1 1/4"	32"	YPSB3248F	929.	976.	1,022.	1,069.	1,115.
	54"	1 1/4"	32"	YPSB3254F	1,007.	1,058.	1,108.	1,158.	1,209.
	60"	1 1/4"	32"	YPSB3260F	1,091.	1,147.	1,201.	1,255.	1,309.
	66"	1 1/4"	32"	YPSB3266FRR	1,242.	1,305.	1,367.	1,429.	1,491.
	72"	1 1/4"	32"	YPSB3272FRR	1,309.	1,376.	1,441.	1,506.	1,571.

Ordering Information

Desk Screens

1. Pattern Number
2. Inside Fabric Finish
3. Outside Fabric Finish
4. Frame Paint Finish
5. Bracket Paint Finish

Order Code

Desk Screens

Example: **YPSB2048F, W351, 118T, 118T**

YPSB	Desk Screen
20	Height
48	Width
F	Fabric
W351	Foundation
W351	Foundation
118T	Bright White Paint
118T	Bright White Paint

Included With

Desk Screens

Brackets
Hardware

Options

Desk Screens

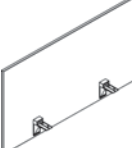
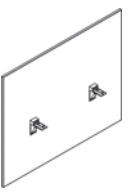
The price of screens specified with a combination of fabrics is the higher of the two fabric grades.

(RR) Fabric is applied railroaded

Desk Screens

Fabric

For 49" High Horizon

description	w	d	h	pattern no.	10	20	30	40	45
Fabric Screens with Partial Modesty For Desks, 49" High Horizon 	24"	1 1/4"	26"	YPSB2624F	\$660.	\$694.	\$726.	\$760.	\$792.
	27"	1 1/4"	26"	YPSB2627F	688.	722.	758.	791.	826.
	30"	1 1/4"	26"	YPSB2630F	705.	741.	776.	811.	847.
	36"	1 1/4"	26"	YPSB2636F	789.	828.	868.	908.	947.
	42"	1 1/4"	26"	YPSB2642F	828.	869.	911.	953.	995.
	48"	1 1/4"	26"	YPSB2648F	890.	935.	979.	1,023.	1,068.
	54"	1 1/4"	26"	YPSB2654F	952.	1,000.	1,046.	1,094.	1,143.
	60"	1 1/4"	26"	YPSB2660F	992.	1,040.	1,090.	1,140.	1,189.
	66"	1 1/4"	26"	YPSB2666FRR	1,036.	1,087.	1,140.	1,191.	1,242.
	72"	1 1/4"	26"	YPSB2672FRR	1,081.	1,133.	1,189.	1,242.	1,297.
Fabric Screens with Half Modesty For Desks, 49" High Horizon 	24"	1 1/4"	38"	YPSB3824F	756.	794.	831.	868.	907.
	27"	1 1/4"	38"	YPSB3827F	811.	852.	893.	934.	974.
	30"	1 1/4"	38"	YPSB3830F	833.	875.	918.	959.	1,001.
	36"	1 1/4"	38"	YPSB3836F	952.	1,000.	1,046.	1,094.	1,143.
	42"	1 1/4"	38"	YPSB3842F	1,007.	1,058.	1,108.	1,158.	1,209.
	48"	1 1/4"	38"	YPSB3848F	1,086.	1,142.	1,194.	1,248.	1,303.
	54"	1 1/4"	38"	YPSB3854F	1,143.	1,199.	1,256.	1,312.	1,370.
	60"	1 1/4"	38"	YPSB3860F	1,203.	1,264.	1,324.	1,384.	1,444.
	66"	1 1/4"	38"	YPSB3866FRR	1,349.	1,416.	1,484.	1,551.	1,618.
	72"	1 1/4"	38"	YPSB3872FRR	1,421.	1,494.	1,564.	1,635.	1,707.

Ordering Information

Desk Screens

1. Pattern Number
2. Inside Fabric Finish
3. Outside Fabric Finish
4. Frame Paint Finish
5. Bracket Paint Finish

Order Code

Desk Screens

Example: **YPSB2648F, W351, 118T, 118T**

YPSB	Desk Screen
26	Height
48	Width
F	Fabric
W351	Foundation
W351	Foundation
118T	Bright White Paint
118T	Bright White Paint

Included With

Desk Screens
Brackets
Hardware

Options

Desk Screens

The price of screens specified with a combination of fabrics is the higher of the two fabric grades.

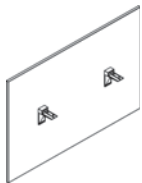
(RR) Fabric is applied railroaded

Desk Screens

Laminate, Markerboard or Veneer

For 42" High Horizon

description	w	d	h	pattern no.	Laminate (L)	Markerboard (LM)	V1 (V)	V2 (V)	V3 (V)
Screens with Partial Modesty For Desks, 42" High Horizon	24"	3/4"	20"	YPSB2024()	\$247.	\$427.	\$474.	\$545.	\$709.
	27"	3/4"	20"	YPSB2027()	252.	432.	483.	557.	723.
	30"	3/4"	20"	YPSB2030()	254.	434.	495.	569.	740.
	36"	3/4"	20"	YPSB2036()	285.	548.	516.	593.	773.
	42"	3/4"	20"	YPSB2042()	291.	553.	555.	637.	828.
	48"	3/4"	20"	YPSB2048()	376.	886.	580.	667.	865.
	54"	3/4"	20"	YPSB2054()	383.	892.	601.	692.	898.
	60"	3/4"	20"	YPSB2060()	388.	897.	650.	747.	973.
	66"	3/4"	20"	YPSB2066()	395.	904.	679.	781.	1,015.
	72"	3/4"	20"	YPSB2072()	401.	910.	701.	806.	1,046.
Screens with Half Modesty For Desks, 42" High Horizon	24"	3/4"	32"	YPSB3224()	277.	656.	551.	633.	824.
	27"	3/4"	32"	YPSB3227()	283.	660.	574.	661.	861.
	30"	3/4"	32"	YPSB3230()	322.	666.	592.	681.	886.
	36"	3/4"	32"	YPSB3236()	379.	889.	627.	720.	937.
	42"	3/4"	32"	YPSB3242()	388.	897.	687.	790.	1,028.
	48"	3/4"	32"	YPSB3248()	409.	1,556.	720.	828.	1,078.
	54"	3/4"	32"	YPSB3254()	417.	1,564.	761.	875.	1,139.
	60"	3/4"	32"	YPSB3260()	569.	1,570.	840.	965.	1,255.
	66"	3/4"	32"	YPSB3266()	580.	1,579.	881.	1,012.	1,315.
	72"	3/4"	32"	YPSB3272()	588.	1,590.	913.	1,049.	1,366.



Ordering Information

Desk Screens

1. Pattern Number
2. Surface Finish
3. Bracket Paint Finish

Order Code

Desk Screens

Example: **YPSB2048V, V316, 118T**

YPSB Desk Screen

20 Height

48 Width

V Veneer

V316 Maple

118T Bright White Paint

Included With

Desk Screens

Brackets
Hardware

Options

Desk Screens

Finish Options:

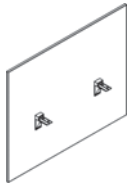
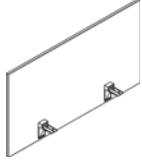
(L)= Laminate
(LM)= Markerboard
(V)= Veneer

Desk Screens

Laminate, Markerboard or Veneer

For 49" High Horizon

description	w	d	h	pattern no.	Laminate (L)	Markerboard (LM)	V1 (V)	V2 (V)	V3 (V)
Screens with Partial Modesty For Desks, 49" High Horizon	24"	3/4"	26"	YPSB2624()	\$270.	\$649.	\$526.	\$605.	\$787.
	27"	3/4"	26"	YPSB2627()	274.	654.	539.	621.	807.
	30"	3/4"	26"	YPSB2630()	278.	657.	562.	647.	841.
	36"	3/4"	26"	YPSB2636()	286.	666.	590.	678.	883.
	42"	3/4"	26"	YPSB2642()	328.	673.	639.	735.	955.
	48"	3/4"	26"	YPSB2648()	359.	1,543.	674.	776.	1,008.
	54"	3/4"	26"	YPSB2654()	366.	1,551.	702.	806.	1,048.
	60"	3/4"	26"	YPSB2660()	386.	1,557.	781.	898.	1,167.
	66"	3/4"	26"	YPSB2666()	394.	1,566.	809.	930.	1,210.
	72"	3/4"	26"	YPSB2672()	505.	1,571.	837.	963.	1,252.
Screens with Half Modesty For Desks, 49" High Horizon	24"	3/4"	38"	YPSB3824()	321.	666.	588.	676.	879.
	27"	3/4"	38"	YPSB3827()	326.	670.	608.	700.	909.
	30"	3/4"	38"	YPSB3830()	330.	675.	628.	721.	938.
	36"	3/4"	38"	YPSB3836()	390.	898.	676.	777.	1,011.
	42"	3/4"	38"	YPSB3842()	403.	910.	743.	855.	1,112.
	48"	3/4"	38"	YPSB3848()	500.	1,567.	783.	900.	1,171.
	54"	3/4"	38"	YPSB3854()	512.	1,578.	830.	955.	1,241.
	60"	3/4"	38"	YPSB3860()	588.	1,590.	937.	1,077.	1,400.
	66"	3/4"	38"	YPSB3866()	598.	1,601.	983.	1,131.	1,471.
	72"	3/4"	38"	YPSB3872()	609.	1,611.	1,024.	1,178.	1,531.



Ordering Information

Desk Screens

1. Pattern Number
2. Surface Finish
3. Bracket Paint Finish

Order Code

Desk Screens

Example: **YPSB2648V, V316, 118T**

YPSB Desk Screen

26 Height

48 Width

V Veneer

V316 Maple

118T Bright White Paint

Included With

Desk Screens

Brackets
Hardware

Options

Desk Screens

Finish Options:

(L)= Laminate
(LM)= Markerboard
(V)= Veneer

Big Table Screens

Planning Guidelines and Specifications

Big Table Screens

Big table center screens provide enclosure above the center of a dual or single sided big table to a horizon of 42" or 49", which aligns with upmounted storage cabinets. Big table mounted screens have wedge shape brackets to friction-fit into the center beam at any point.

Screens are available from 24"-72" wide in 6" increments.

Two types of screens are available:

- Frameless laminate, marker surface, veneer or glass screens are 1/2" thick with matching edge and crisp, eased corners. Base fits flush with top of center beam.
- Fabric screens are 1 1/4" thick, with painted perimeter frame capturing a wood structural core and tackable, fabric wrapped inserts on each face.

Construction

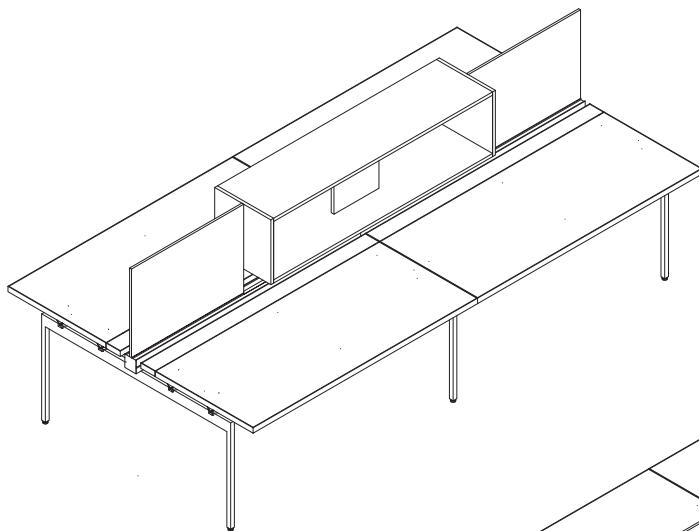
Frameless laminate or veneer screens are 1/2" MDF construction. Frameless glass screens are 1/2" tempered glass with polished edges.

Fabric screens have a 1/2" MDF core, with 3/8" thick tackable PET material inserts on each side wrapped in fabric, and aluminum perimeter frame with seamless corners.

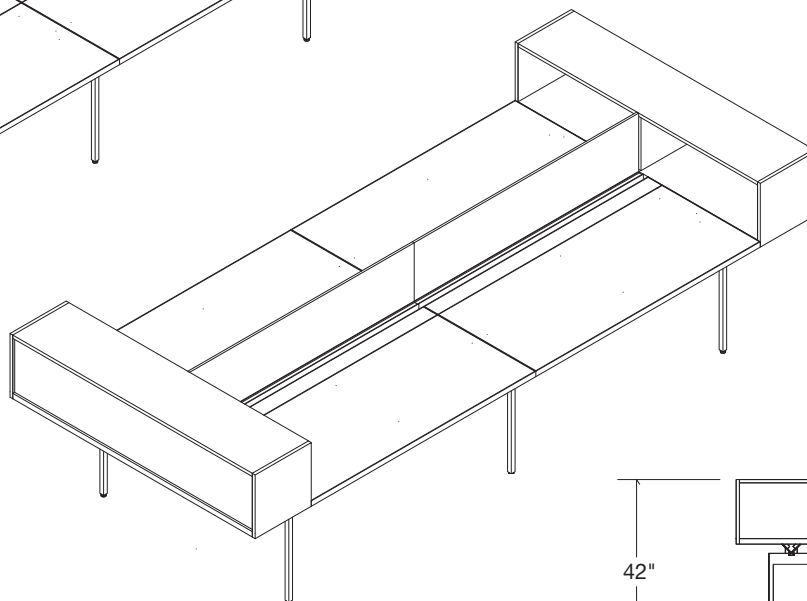
Specification Options

For frameless screens specify surface type: laminate (L) or veneer (V) or glass (G); finish, any core laminate or dry-erase marker surface (M), any core Techwood or natural veneer, or core glass finishes. Brushed Sand (122) and Brushed Grey (123) are not available on laminate screens. Also specify base color, in any core paint finish.

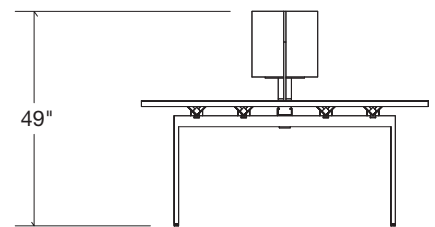
For fabric screens specify fabric, perimeter frame and brackets painted finishes.



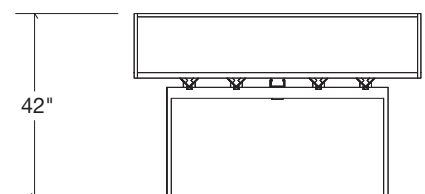
Big Table with 49"H Screens and Stanchion Mounted Cabinets



Big Table with 42"H Screens and Above Big Table Extension Cabinets



Big Table with 49"H Screens
End Elevation

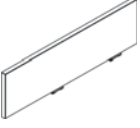


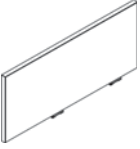
Big Table with 42"H Screens
End Elevation

Big Table Screens

Fabric

For 42" or 49" High Horizon

description	w	d	h	pattern no.	10	20	30	40	45
Fabric Screens For Big Table Center Beam, 42" High Horizon 	24"	1 1/4"	14"	YPSC1424F	\$526.	\$553.	\$580.	\$605.	\$631.
	30"	1 1/4"	14"	YPSC1430F	549.	576.	603.	631.	658.
	36"	1 1/4"	14"	YPSC1436F	593.	624.	652.	682.	712.
	42"	1 1/4"	14"	YPSC1442F	616.	647.	677.	709.	739.
	48"	1 1/4"	14"	YPSC1448F	655.	687.	720.	753.	786.
	54"	1 1/4"	14"	YPSC1454F	677.	711.	745.	779.	812.
	60"	1 1/4"	14"	YPSC1460F	694.	730.	763.	798.	832.
	66"	1 1/4"	14"	YPSC1466FRR	734.	770.	807.	844.	881.
	72"	1 1/4"	14"	YPSC1472FRR	773.	811.	850.	889.	927.

Fabric Screens For Big Table Center Beam, 49" High Horizon 	24"	1 1/4"	21"	YPSC2124F	583.	611.	640.	670.	699.
	30"	1 1/4"	21"	YPSC2130F	610.	640.	672.	702.	733.
	36"	1 1/4"	21"	YPSC2136F	694.	730.	763.	798.	832.
	42"	1 1/4"	21"	YPSC2142F	729.	764.	800.	837.	873.
	48"	1 1/4"	21"	YPSC2148F	750.	788.	825.	863.	899.
	54"	1 1/4"	21"	YPSC2154F	783.	823.	862.	900.	940.
	60"	1 1/4"	21"	YPSC2160F	818.	859.	898.	940.	980.
	66"	1 1/4"	21"	YPSC2166FRR	885.	929.	973.	1,017.	1,061.
	72"	1 1/4"	21"	YPSC2172FRR	929.	976.	1,022.	1,069.	1,115.

Ordering Information

Big Table Screens

1. Pattern Number
2. Fabric Finish
3. Frame Paint Finish

Order Code

Big Table Screens

Example: **YPSC1448F, W351, 118T**

YPSC	Big Table Center Screen
14	Height
48	Width
F	Fabric
W351	Foundation
118T	Bright White Paint

Included With

Big Table Screens

Brackets
Hardware

Options

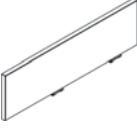
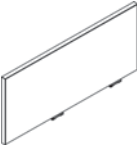
Big Table Screens

The price of screens specified with a combination of fabrics is the higher of the two fabric grades.

(RR) Fabric is applied railroaded.

Big Table Screens

Laminate, Markerboard, Veneer or Glass
For 42" or 49" High Horizon

description	w	d	h	pattern no.	Laminate (L)	Markerboard (LM)	V1 (V)	V2 (V)	V3 (V)	Clear Glass (GTEMP)	Powder Glass (GGL13)	Grey Tinted Glass (GGL35)
Screens For Big Table Center Beam, 42" High Horizon 	24"	1/2"	14"	YPSC1424()	\$190.	\$262.	\$491.	\$587.	\$763.	\$286.	\$437.	\$550.
	30"	1/2"	14"	YPSC1430()	209.	278.	527.	638.	857.	343.	531.	675.
	36"	1/2"	14"	YPSC1436()	232.	356.	545.	669.	927.	389.	617.	789.
	42"	1/2"	14"	YPSC1442()	259.	371.	583.	718.	1,021.	455.	720.	924.
	48"	1/2"	14"	YPSC1448()	328.	603.	600.	751.	1,094.	504.	806.	1,038.
	54"	1/2"	14"	YPSC1454()	345.	618.	643.	807.	1,193.	560.	899.	1,169.
	60"	1/2"	14"	YPSC1460()	360.	632.	685.	864.	1,292.	614.	994.	1,284.
	66"	1/2"	14"	YPSC1466()	378.	643.	715.	908.	1,381.	677.	1,097.	1,418.
	72"	1/2"	14"	YPSC1472()	392.	651.	739.	944.	1,453.	729.	1,181.	1,528.
Screens For Big Table Center Beam, 49" High Horizon 	24"	1/2"	21"	YPSC2124()	214.	339.	526.	647.	897.	345.	553.	750.
	30"	1/2"	21"	YPSC2130()	232.	356.	560.	700.	1,009.	414.	674.	918.
	36"	1/2"	21"	YPSC2136()	265.	471.	585.	745.	1,115.	474.	786.	1,076.
	42"	1/2"	21"	YPSC2142()	292.	485.	643.	823.	1,252.	551.	915.	1,256.
	48"	1/2"	21"	YPSC2148()	332.	828.	668.	867.	1,359.	610.	1,025.	1,418.
	54"	1/2"	21"	YPSC2154()	377.	844.	708.	926.	1,479.	678.	1,146.	1,592.
	60"	1/2"	21"	YPSC2160()	420.	859.	747.	987.	1,599.	745.	1,265.	1,755.
	66"	1/2"	21"	YPSC2166()	440.	871.	792.	1,054.	1,727.	821.	1,397.	1,941.
	72"	1/2"	21"	YPSC2172()	455.	882.	828.	1,108.	1,833.	882.	1,505.	2,092.

Ordering Information

Big Table Screens

1. Pattern Number
2. Surface Finish
3. Bracket Paint Finish

Order Code

Big Table Screens

Example: **YPSC1448V, V316, 118T**

YPSC	Big Table Center Screen
14	Height
48	Width
V	Veneer
V316	Maple
118T	Bright White Paint

Included With

Big Table Screens

Brackets
Hardware

Options

Big Table Screens

Finish Options:

- (L) = Laminate
- (LM) = Markerboard
- (V) = Veneer
- (GTEMP) = Clear Glass
- (GGL13) = Powder Glass
- (GGL35) = Grey Tinted Glass

Intermediate Screens

Planning and Specification Guidelines

Intermediate screens are designed to plan anywhere along Antenna big tables or linked desk configurations to delineate individual workspaces.

Intermediate screens include a painted aluminum desktop mounting bracket that supports framed, tackable fabric or frameless glass, veneer, laminate or marker surface to a horizon of 42" or 49".

Intermediate screen brackets do not permit screen mount within 1 1/2" of end of desktop, or in combination with end panels.

Intermediate screens are available for two planning applications: full depth and hinged access depth.

Full depth intermediate screens correspond to Antenna top depths, 18", 24", 27", 30", 36", and attach with a clamp bracket around the front and back edges of the top.

Intermediate screens for hinged access tops, 16", 19", 22", are 8" less deep than hinged tops to enable full use of hinge feature. They attach with a clamp bracket around the front edge of the top and a non-skid pad on the top.

Construction

Fabric screens are 1 1/4" thick, with perimeter extruded aluminum frame, extruded aluminum base frame, cast aluminum clamp brackets and cast aluminum bayonets. Tackable fabric surfaces are 3/8" thick PET core, on either side of 1/2" thick particle board.

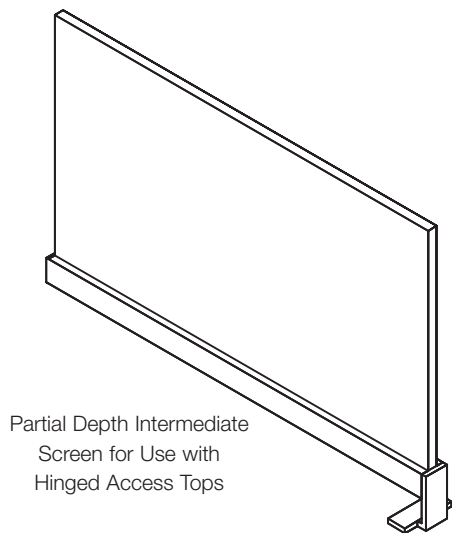
Laminate, veneer and glass screens are 1/2" thick, frameless, with a 1 1/4" high x 1 1/4" wide extruded aluminum base frame and cast aluminum clamp brackets.

Specification Options

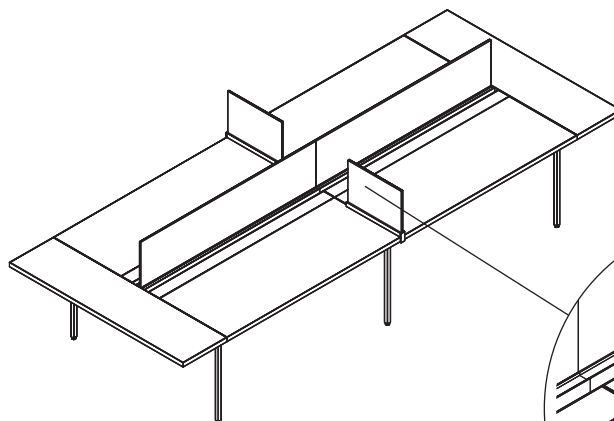
For fabric screens, specify with an Antenna approved textile. Specify perimeter frame in any Knoll Core paint finish.

For frameless screens, specify surface type: laminate (L) or veneer (V) or glass (G) finish in any Knoll Core laminate or marker surface (M), any Core Techwood or natural veneer, or Core glass finishes.

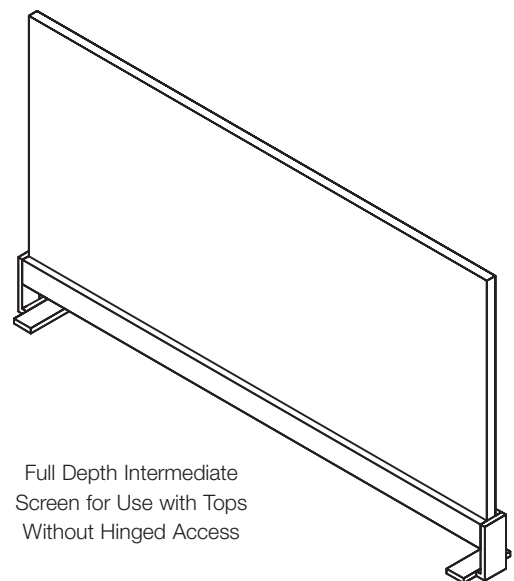
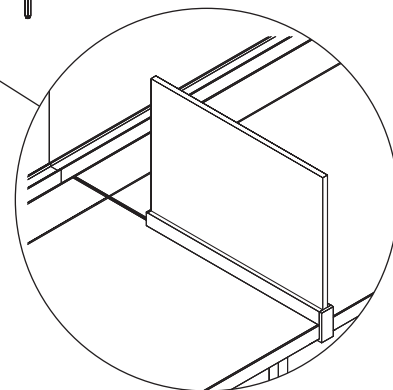
Specify bracket, in any Knoll Core paint finish.



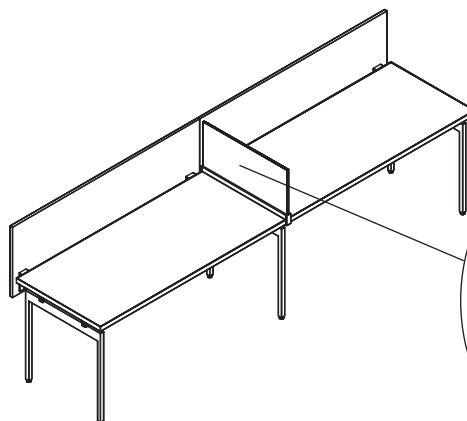
Partial Depth Intermediate Screen for Use with Hinged Access Tops



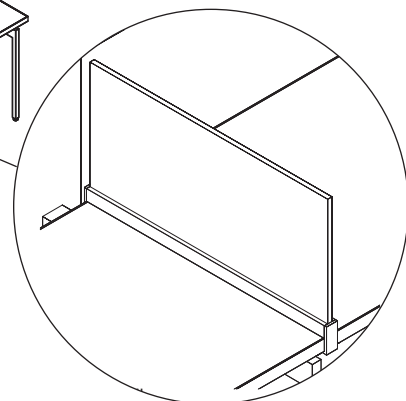
Big Table with Hinged Access Tops and Partial Depth Intermediate Screens



Full Depth Intermediate Screen for Use with Tops Without Hinged Access




Linked Desks Full Depth Intermediate Screens

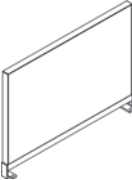


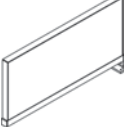
Intermediate Screens

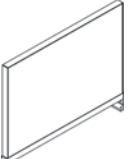
Fabric

For 42" or 49" High Horizon

description	type	w	d	h	pattern no.	10	20	30	40	45
 Full Depth Intermediate Screen, 42" High Horizon	For 18"D Tops w/o Hinged Access	1 1/4"	18"	14"	YPSI1418F	\$561.	\$589.	\$617.	\$645.	\$673.
	For 24"D Tops w/o Hinged Access	1 1/4"	24"	14"	YPSI1424F	588.	617.	647.	676.	705.
	For 27"D Tops w/o Hinged Access	1 1/4"	27"	14"	YPSI1427F	607.	637.	668.	698.	729.
	For 30"D Tops w/o Hinged Access	1 1/4"	30"	14"	YPSI1430F	620.	651.	681.	713.	743.
	For 36"D Tops w/o Hinged Access	1 1/4"	36"	14"	YPSI1436F	656.	689.	721.	756.	788.

 Full Depth Intermediate Screen, 49" High Horizon	For 18"D Tops w/o Hinged Access	1 1/4"	19"	21"	YPSI2118F	580.	609.	637.	667.	696.
	For 24"D Tops w/o Hinged Access	1 1/4"	24"	21"	YPSI2124F	616.	647.	678.	709.	739.
	For 27"D Tops w/o Hinged Access	1 1/4"	27"	21"	YPSI2127F	629.	660.	692.	723.	756.
	For 30"D Tops w/o Hinged Access	1 1/4"	30"	21"	YPSI2130F	646.	678.	710.	742.	775.
	For 36"D Tops w/o Hinged Access	1 1/4"	36"	21"	YPSI2136F	721.	758.	794.	830.	866.

 Partial Depth Intermediate Screen, 42" High Horizon	For 24"D Tops with Hinged Access	1 1/4"	16"	14"	YPSI1416F	550.	578.	605.	632.	659.
	For 27"D Tops with Hinged Access	1 1/4"	19"	14"	YPSI1419F	569.	598.	626.	655.	683.
	For 30"D Tops with Hinged Access	1 1/4"	22"	14"	YPSI1422F	580.	609.	637.	667.	696.
	For 36"D Tops with Hinged Access	1 1/4"	28"	14"	YPSI1428F	603.	633.	664.	693.	723.

 Partial Depth Intermediate Screen, 49" High Horizon	For 24"D Tops with Hinged Access	1 1/4"	16"	21"	YPSI2116F	566.	594.	623.	651.	679.
	For 27"D Tops with Hinged Access	1 1/4"	19"	21"	YPSI2119F	581.	610.	638.	668.	697.
	For 30"D Tops with Hinged Access	1 1/4"	22"	21"	YPSI2122F	605.	635.	667.	697.	726.
	For 36"D Tops with Hinged Access	1 1/4"	28"	21"	YPSI2128F	627.	658.	690.	721.	752.

Ordering Information

- Intermediate Screens**
1. Pattern Number
 2. Fabric Finish
 3. Bracket Paint Finish

Order Code

Intermediate Screens	
<i>Example:</i> YPSI2124F, Y351	
YPS	Screen
I	Intermediate
21	Height
24	Depth
F	Fabric
Y351	Foundation

Included With

Intermediate Screens
 Brackets
 Hardware


Options

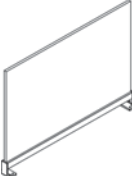
Intermediate Screens
 The price of screens specified with a combination of fabrics is the higher of the two fabric grades.

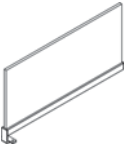
Intermediate Screens

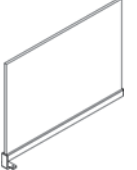
Laminate, Markerboard, Veneer or Glass

For 42" or 49" High Horizon

description	type	w	d	h	pattern no.	Laminate (L)	Marker-board (LM)	V1 (V)	V2 (V)	V3 (V)	Clear Glass (GTEMP)	Power Glass (GGL13)	Grey Tinted Glass (GGL35)
	For 18"D Tops w/o Hinged Access	1/2"	18"	14"	YPSI1418()	\$200.	\$262.	\$504.	\$582.	\$671.	\$260.	\$352.	\$447.
	For 24"D Tops w/o Hinged Access	1/2"	24"	14"	YPSI1424()	229.	332.	552.	624.	740.	317.	439.	565.
	For 27"D Tops w/o Hinged Access	1/2"	27"	14"	YPSI1427()	239.	343.	548.	640.	765.	347.	485.	627.
	For 30"D Tops w/o Hinged Access	1/2"	30"	14"	YPSI1430()	252.	355.	566.	667.	809.	378.	533.	691.
	For 36"D Tops w/o Hinged Access	1/2"	36"	14"	YPSI1436()	269.	403.	594.	707.	877.	428.	614.	803.

	For 18"D Tops w/o Hinged Access	1/2"	18"	21"	YPSI2118()	215.	308.	526.	618.	744.	312.	444.	579.
	For 24"D Tops w/o Hinged Access	1/2"	24"	21"	YPSI2124()	250.	407.	549.	642.	766.	382.	558.	735.
	For 27"D Tops w/o Hinged Access	1/2"	27"	21"	YPSI2127()	261.	416.	583.	700.	881.	417.	616.	818.
	For 30"D Tops w/o Hinged Access	1/2"	30"	21"	YPSI2130()	274.	430.	602.	726.	925.	456.	678.	899.
	For 36"D Tops w/o Hinged Access	1/2"	36"	21"	YPSI2136()	295.	481.	625.	766.	1,002.	520.	783.	1,049.

	For 24"D Tops w/ Hinged Access	1/2"	16"	14"	YPSI1416()	188.	250.	490.	562.	642.	235.	318.	404.
	For 27"D Tops w/ Hinged Access	1/2"	19"	14"	YPSI1419()	202.	280.	508.	587.	681.	264.	362.	464.
	For 30"D Tops w/ Hinged Access	1/2"	22"	14"	YPSI1422()	211.	289.	524.	610.	722.	292.	407.	524.
	For 36"D Tops w/ Hinged Access	1/2"	28"	14"	YPSI1428()	233.	337.	569.	689.	876.	347.	492.	639.

	For 24"D Tops w/ Hinged Access	1/2"	16"	21"	YPSI2116()	202.	296.	508.	595.	707.	283.	400.	521.
	For 27"D Tops w/ Hinged Access	1/2"	19"	21"	YPSI2119()	219.	337.	525.	620.	750.	319.	459.	601.
	For 30"D Tops w/ Hinged Access	1/2"	22"	21"	YPSI2122()	229.	346.	541.	645.	794.	354.	516.	681.
	For 36"D Tops w/ Hinged Access	1/2"	28"	21"	YPSI2128()	256.	411.	580.	699.	886.	420.	627.	837.

Ordering Information

- Intermediate Screens**
1. Pattern Number
 2. Surface Finish
 3. Bracket Paint Finish

Order Code

Intermediate Screens

Example: **YPSI2124L, 118, 118T**

YPS	Screen
I	Intermediate
21	Height
24	Depth
L	Laminate
118	Bright White Laminate
118T	Bright White Paint

Included With

- Intermediate Screens**
- Brackets
 - Hardware

Options

Intermediate Screens

- Finish Options**
- (L) = Laminate
 - (LM) = Markerboard
 - (V) = Veneer
 - (CTEMP) = Clear Glass
 - (GGL13) = Powder Glass
 - (GGL35) = Grey Tinted Glass

End Screens for Dual Big Table

Planning Guidelines and Specifications

End screens provide partial enclosure for the end of an Antenna big table, from a starting point 10 1/2" above the floor to a horizon of 42" or 49". The 10 1/2" starting point aligns with suspended files or cabinets. The 42" and 49" horizons correspond to center screens and stanchion mounted cabinets.

End screens are available in widths to align with the front edges of dual big tables with 18", 24", 27", 30" or 36" deep tops.

End screens include brackets to the ends of the big table tops in the space above end legs. Brackets create a 1 1/4" cord drop space between the ends of the tops and the inside face of the screen. End screens cannot be planned in combination with end panels.

End screens are available in laminate, marker or veneer surfaces. End screens are 3/4" thick, with matching color frameless edges.

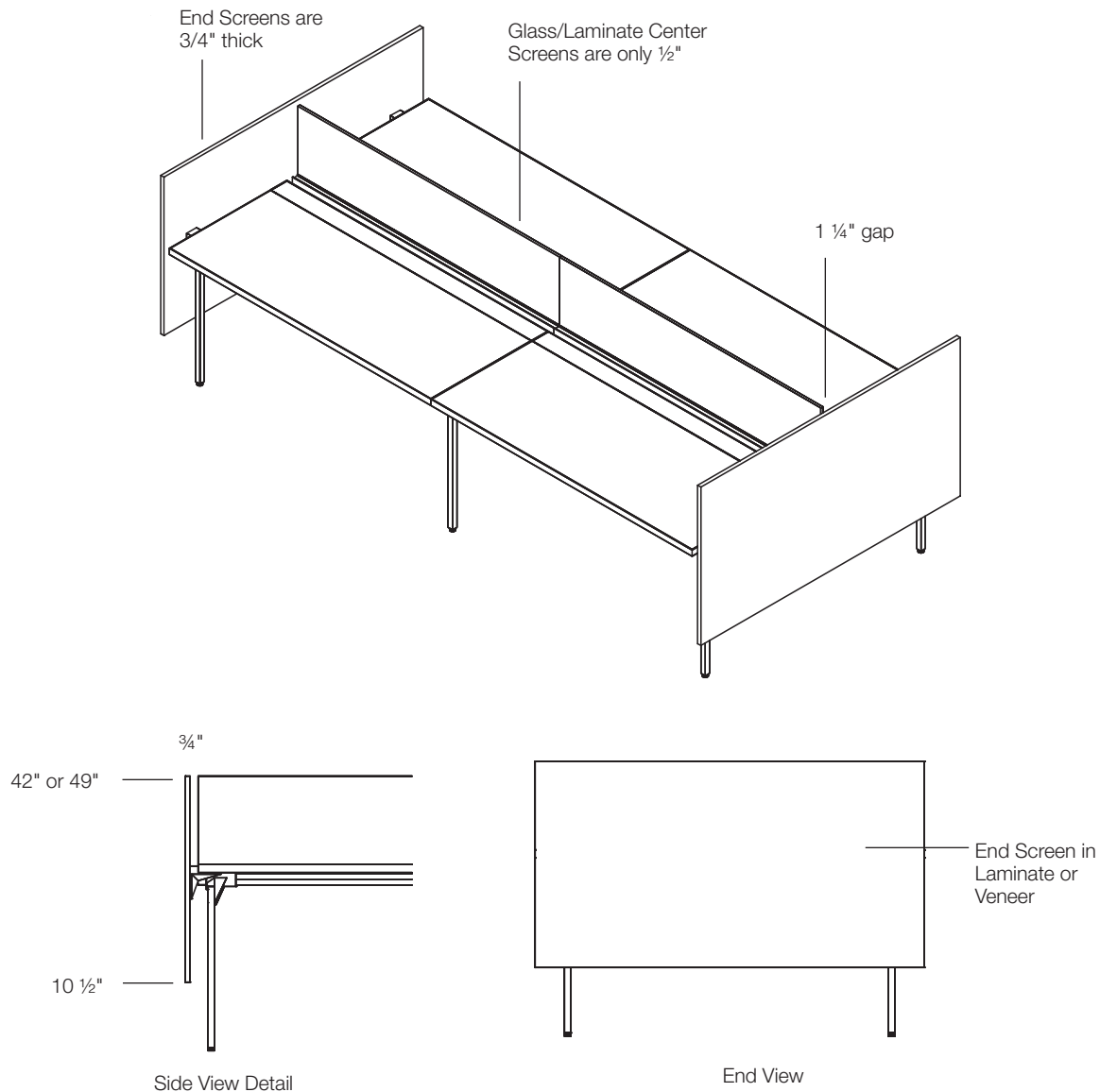
Construction

Frameless screens are 3/4" MDF-core construction, with threaded metal inserts at bracket locations. Screens include solid cast aluminum brackets and attachment hardware.

Laminate screens have 0.8mm ABS edge on four sides. Veneer screens feature vertical grain direction and 2.4 mm veneer edge.

Specification Options


For end screens specify surface type: laminate (L) or veneer (V), any core laminate or dry erase marker surface (M) or any core Techwood or natural veneer. Also specify brackets color, in any core painted finish.

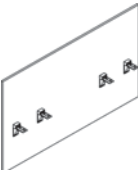


End Screens for Dual Big Table

Fabric

For 42" or 49" Horizons

description	type	w	d	h	pattern no.	grade						
						10	20	30	40	45	50	55
 End Screens to 42"H	For 18"D dual	41 1/2"	3/4"	32"	YPSB3241F	\$815.	\$856.	\$897.	\$937.	\$978.	\$1,019.	\$1,060.
	For 24"D dual	53 1/2"	3/4"	32"	YPSB3253F	850.	893.	935.	978.	1,020.	1,063.	1,105.
	For 27"D dual	59 1/2"	3/4"	32"	YPSB3259F	900.	945.	990.	1,035.	1,080.	1,125.	1,170.
	For 30"D dual	65 1/2"	3/4"	32"	YPSB3265FRR	1,045.	1,097.	1,150.	1,202.	1,254.	1,306.	1,359.
	For 36"D dual	77 1/2"	3/4"	32"	YPSB3277FRR	1,115.	1,171.	1,227.	1,282.	1,338.	1,394.	1,450.

 End Screens to 49"H	For 18"D dual	41 1/2"	3/4"	38"	YPSB3841F	880.	924.	958.	1,012.	1,056.	1,100.	1,144.
	For 24"D dual	53 1/2"	3/4"	38"	YPSB3853F	926.	972.	1,019.	1,065.	1,111.	1,158.	1,204.
	For 27"D dual	59 1/2"	3/4"	38"	YPSB3859F	981.	1,030.	1,079.	1,128.	1,177.	1,226.	1,275.
	For 30"D dual	65 1/2"	3/4"	38"	YPSB3865FRR	1,140.	1,197.	1,254.	1,311.	1,368.	1,425.	1,482.
	For 36"D dual	77 1/2"	3/4"	38"	YPSB3877FRR	1,215.	1,276.	1,337.	1,397.	1,458.	1,519.	1,580.

Ordering Information

End Screens

1. Pattern Number
2. Inside Fabric Finish
3. Outside Fabric Finish
4. Frame Paint Finish
5. Bracket Paint Finish

Order Code

End Screens

Example: **YPSB3241F, W351, 118T, 118T**

YPSB	End Screen
32	Height
41	Width
F	Fabric
W351	Foundation
W351	Foundation
118T	Bright White Paint
118T	Bright White Paint

Included With

End Screens
Brackets
Hardware

Options

End Screens


The price of screens specified with a combination of fabrics is the higher of the two fabric grades.


(RR) = Fabric is applied railroaded

End Screens for Dual Big Table

Laminate, Markerboard or Veneer

For 42" or 49" Horizons

description	type	w	d	h	pattern no.	Laminate (L)	Marker- board (LM)	V1 (V)	V2 (V)	V3 (V)
	For 18"D dual	41 1/2"	3/4"	32"	YPSB3241()	\$424.	\$662.	\$837.	\$930.	\$1,429.
	For 24"D dual	53 1/2"	3/4"	32"	YPSB3253()	451.	1,064.	901.	1,014.	1,640.
	For 27"D dual	59 1/2"	3/4"	32"	YPSB3259()	598.	1,072.	979.	1,091.	1,782.
	For 30"D dual	65 1/2"	3/4"	32"	YPSB3265()	698.	1,172.	1,088.	1,221.	1,975.
	For 36"D dual	77 1/2"	3/4"	32"	YPSB3277()	718.	1,192.	1,152.	1,305.	2,186.

description	type	w	d	h	pattern no.	Laminate (L)	Marker- board (LM)	V1 (V)	V2 (V)	V3 (V)
	For 18"D dual	41 1/2"	3/4"	38"	YPSB3841()	439.	677.	875.	983.	1,572.
	For 24"D dual	53 1/2"	3/4"	38"	YPSB3853()	470.	1,082.	959.	1,092.	1,831.
	For 27"D dual	59 1/2"	3/4"	38"	YPSB3859()	618.	1,093.	1,030.	1,175.	1,989.
	For 30"D dual	65 1/2"	3/4"	38"	YPSB3865()	719.	1,193.	1,167.	1,325.	2,216.
	For 36"D dual	77 1/2"	3/4"	38"	YPSB3877()	745.	1,221.	1,229.	1,411.	2,451.

Ordering Information**Intermediate Screens**

1. Pattern Number
2. Surface Finish
3. Bracket Paint Finish

Order Code**Intermediate Screens**

Example: **YPSI2124L, 118, 118T**

YPS	Screen
I	Intermediate
21	Height
24	Depth
L	Laminate
118	Bright White Laminate
118T	Bright White Paint

Included With**Intermediate Screens**

Brackets
Hardware

Options**Intermediate Screens****Finish Options**

(L) = Laminate
(LM) = Markerboard
(V) = Veneer

Fence Screens

Fence screens provide enclosure above either height fence to a horizon of 42" or 49", which aligns with upmounted storage cabinets. Fence mounted screens have wedge shape base and can be secured to the fence with bolts into mounting locations every 3" along the center of the crown.

Screens are available from 24"-48" wide in 6" increments, plus 60" and 72" widths.

Two types of screens are available:

- Frameless laminate, marker surface, veneer or glass screens are ½" thick with matching edge and crisp, eased corners. Base fits flush with top of fence crown.
- Fabric screens are 1 ¼" thick, with painted perimeter frame capturing a wood structural core and tackable, fabric wrapped inserts on each face.

Construction

Frameless laminate or veneer screens are ½" MDF construction. Frameless glass screens are ½" tempered glass with polished edges.

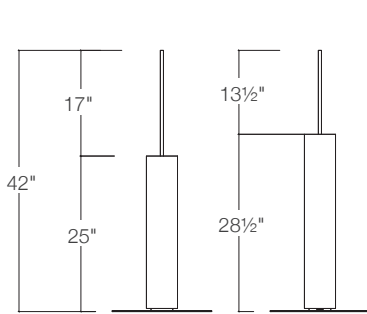
Fabric screens have a ½" MDF core, with ⅜" thick tackable PET material inserts on each side wrapped in fabric, and aluminum perimeter frame with seamless corners.

Specification Options

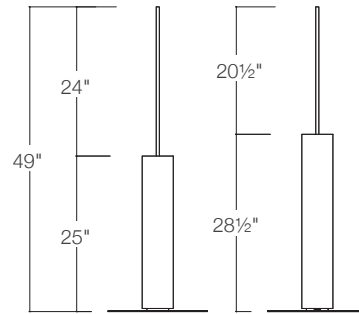
To specify fence screens identify fence height (25" or 28") and desired horizon (42" or 49" high).

For frameless screens specify surface type: laminate (L) or veneer (V) or glass (G); finish, any core laminate or dry-erase marker surface (M), any core Techwood or natural veneer, or core glass finishes. Brushed Sand (122) and Brushed Grey (123) are not available on laminate screens. Also specify base color, in any core paint finish.

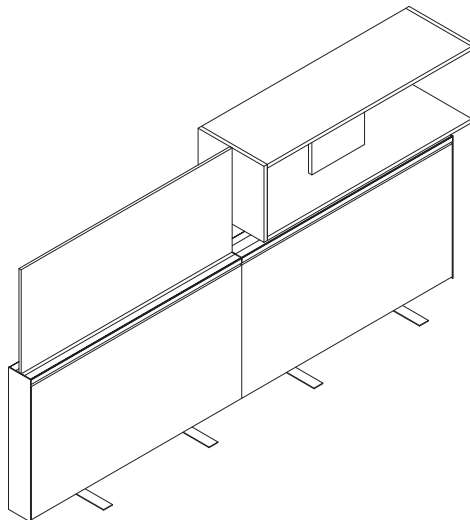
For fabric screens specify fabric, perimeter frame and bracket painted finishes.



Fence with Screens, 42" High Horizon







Fence with Screens, 49" High Horizon



Screen and Cabinet Align at 49"H

Fabric

For 25" and 28" High Fence, 42" and 49" High Horizon

description	w	d	h	pattern no.	list	10	20	30	40	45
Fabric Screens for 25" High Fence, 42" High Horizon 	24"	1 1/4"	17"	YPSF1724F	n/a	\$556.	\$584.	\$611.	\$638.	\$667.
	36"	1 1/4"	17"	YPSF1736F	n/a	632.	664.	697.	729.	759.
	48"	1 1/4"	17"	YPSF1748F	n/a	700.	735.	770.	805.	840.
	60"	1 1/4"	17"	YPSF1760F	n/a	739.	776.	812.	850.	887.
	72"	1 1/4"	17"	YPSF1772FRR	n/a	828.	869.	911.	953.	995.
Fabric Screens for 25" High Fence, 49" High Horizon 	24"	1 1/4"	24"	YPSF2424F	n/a	605.	635.	667.	697.	726.
	36"	1 1/4"	24"	YPSF2436F	n/a	734.	770.	807.	844.	881.
	48"	1 1/4"	24"	YPSF2448F	n/a	800.	841.	882.	920.	960.
	60"	1 1/4"	24"	YPSF2460F	n/a	873.	917.	960.	1,004.	1,047.
	72"	1 1/4"	24"	YPSF2472FRR	n/a	974.	1,023.	1,071.	1,121.	1,169.
Fabric Screens for 28" High Fence, 42" High Horizon 	24"	1 1/4"	14"	YPSF1424F	n/a	531.	559.	586.	611.	638.
	36"	1 1/4"	14"	YPSF1436F	n/a	599.	629.	659.	688.	718.
	48"	1 1/4"	14"	YPSF1448F	n/a	660.	694.	726.	760.	792.
	60"	1 1/4"	14"	YPSF1460F	n/a	700.	735.	770.	805.	840.
	72"	1 1/4"	14"	YPSF1472FRR	n/a	773.	811.	850.	889.	927.
Fabric Screens for 28" High Fence, 49" High Horizon 	24"	1 1/4"	21"	YPSF2124F	n/a	583.	611.	640.	670.	699.
	36"	1 1/4"	21"	YPSF2136F	n/a	700.	735.	770.	805.	840.
	48"	1 1/4"	21"	YPSF2148F	n/a	756.	794.	831.	868.	907.
	60"	1 1/4"	21"	YPSF2160F	n/a	823.	864.	906.	946.	986.
	72"	1 1/4"	21"	YPSF2172FRR	n/a	935.	981.	1,029.	1,074.	1,122.
Fabric Screen Fillers for Fence	24"			YPSFF24	57.	n/a	n/a	n/a	n/a	n/a
	36"			YPSFF36	79.	n/a	n/a	n/a	n/a	n/a
	48"			YPSFF48	101.	n/a	n/a	n/a	n/a	n/a
	60"			YPSFF60	123.	n/a	n/a	n/a	n/a	n/a
	72"			YPSFF72	146.	n/a	n/a	n/a	n/a	n/a

Ordering Information

Big Table Screens

1. Pattern Number
2. Fabric Finish
3. Frame Paint Finish

Order Code

Big Table Screenss

Example: **YPSC1448F, W351, 118T**

YPSC	Big Table Center Screen
14	Height
48	Width
F	Fabric
W351	Foundation
118T	Bright White Paint

Included With

Big Table Screens
Brackets
Hardware

Options


Big Table Screens


The price of screens specified with a combination of fabrics is the higher of the two fabric grades.


(RR) Fabric is applied railroaded.


Laminate, Markerboard, Veneer or Glass

For 25" and 28" High Fence, 42" and 49" High Horizon

description	w	d	h	pattern no.	Laminate (L)	Markerboard (LM)	V1 (V)	V2 (V)	V3 (V)	Clear Glass (GTEMP)	Powder Glass (GL13)	Grey Tinted Glass (GGL35)
Screens for 25" High Fence, 42" High Horizon 	24"	1/2"	17"	YPSF1724()	\$255.	\$379.	\$544.	\$651.	\$862.	\$348.	\$519.	\$657.
	36"	1/2"	17"	YPSF1736()	309.	516.	611.	752.	1,064.	468.	721.	943.
	48"	1/2"	17"	YPSF1748()	449.	889.	699.	873.	1,282.	605.	946.	1,241.
	60"	1/2"	17"	YPSF1760()	493.	930.	791.	997.	1,506.	737.	1,161.	1,541.
	72"	1/2"	17"	YPSF1772()	537.	963.	862.	1,102.	1,709.	867.	1,379.	1,831.

Screens for 25" High Fence, 49" High Horizon 	24"	1/2"	24"	YPSF2424()	275.	598.	602.	731.	1,016.	428.	674.	856.
	36"	1/2"	24"	YPSF2436()	344.	630.	688.	860.	1,278.	578.	946.	1,234.
	48"	1/2"	24"	YPSF2448()	432.	1,544.	777.	994.	1,546.	747.	1,238.	1,620.
	60"	1/2"	24"	YPSF2460()	491.	1,590.	890.	1,153.	1,842.	909.	1,522.	2,011.
	72"	1/2"	24"	YPSF2472()	640.	1,624.	986.	1,294.	2,122.	1,072.	1,808.	2,391.

Screens for 28" High Fence, 42" High Horizon 	24"	1/2"	14"	YPSF1424()	234.	305.	531.	628.	801.	328.	479.	572.
	36"	1/2"	14"	YPSF1436()	282.	406.	593.	715.	972.	439.	667.	821.
	48"	1/2"	14"	YPSF1448()	393.	670.	663.	811.	1,151.	569.	870.	1,078.
	60"	1/2"	14"	YPSF1460()	437.	711.	760.	936.	1,354.	693.	1,070.	1,339.
	72"	1/2"	14"	YPSF1472()	480.	740.	826.	1,030.	1,534.	818.	1,270.	1,587.

Screens for 28" High Fence, 49" High Horizon 	24"	1/2"	21"	YPSF2124()	257.	382.	567.	688.	936.	388.	595.	772.
	36"	1/2"	21"	YPSF2136()	314.	404.	632.	791.	1,158.	523.	833.	1,108.
	48"	1/2"	21"	YPSF2148()	453.	893.	733.	929.	1,413.	676.	1,091.	1,458.
	60"	1/2"	21"	YPSF2160()	498.	936.	823.	1,061.	1,661.	823.	1,343.	1,809.
	72"	1/2"	21"	YPSF2172()	545.	969.	915.	1,191.	1,912.	970.	1,595.	2,152.

Ordering Information

Fence Screens

1. Pattern Number
2. Surface Finish
3. Bracket Paint Finish

Order Code

Fence Screens

Example: **YPSF1448V, V316, 118T**

YPSF	Fence Screen
14	Height
48	Width
V	Veneer
V316	Maple
118T	Bright White Paint

Included With

Fence Screens

Brackets
Hardware

Options

Fence Screens

Finish Options:

(L) = Laminate
(LM) = Markerboard
(V) = Veneer
(GTEMP) = Clear Glass
(GGL13) = Powder Glass
(GGL35) = Grey Tinted Glass

S Screens

Planning Guidelines and Specifications

S Screens

S screens attach to the back of a desktop to provide enclosure both above and below the desktop. The distinctive curved profile transitions from the 10 ½" high vertical modesty panel to a horizontal transaction surface at the 42" horizon.

The screen desk mount brackets enable a full 1 ¼" cord drop space between the back edge of the top and the inside of the screen.

Sapper monitor arms should not be used on the back edge of desk tops with S screens

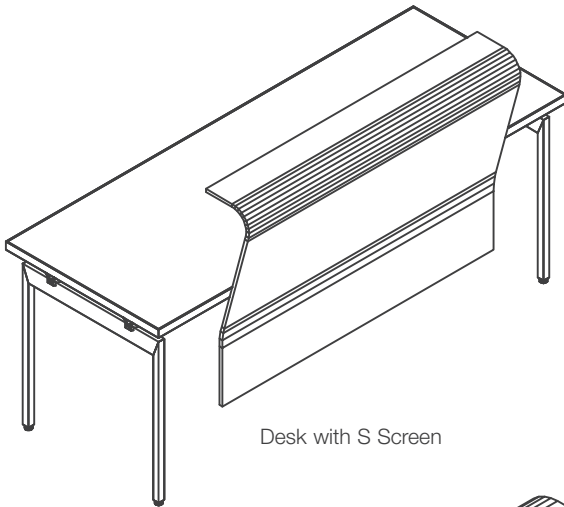
Construction

S screens are ½" thick plywood core with applied laminate on both faces and clear finish on side edges.

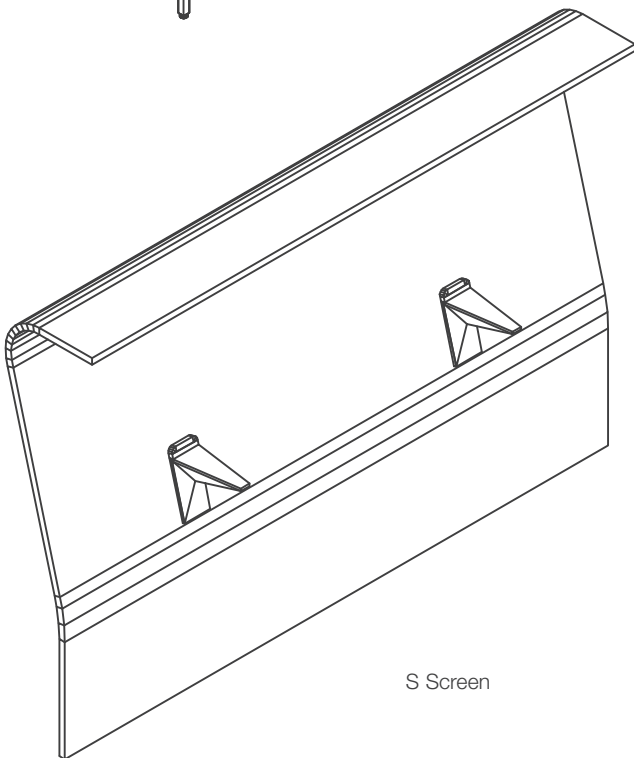
Specification Options

S screens are available in White or Folkstone laminate.

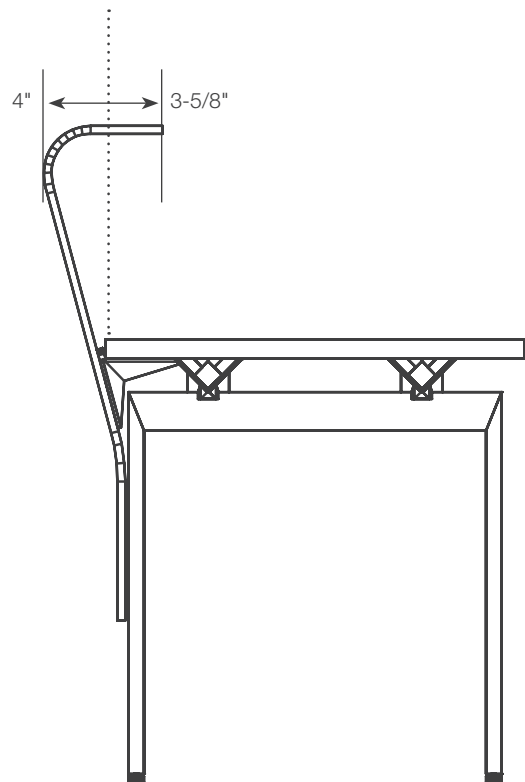
Specify mounting brackets in any Knoll Core paint finish.



Desk with S Screen



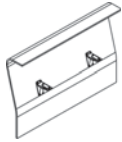
S Screen



Desk with S Screen End Elevation

S Screens
Laminate or Veneer
For 42" High Horizon

description	type	w	d	h	pattern no.	Laminate (L)	V1 (V)	V2 (V)	V3 (V)
S Screen	For Attachment to Desk	48"	7 1/2"	32"	YPSS3248()	\$1,250.	n/a	n/a	n/a



Ordering Information

S Screens

1. Pattern Number
2. Surface Finish
3. Bracket Paint Finish

Order Code

S Screens

Example: **YPSS3248**

YPS	Screen
S	S Shape
32	Height
48	Width
Y811	Natural Techwood
118T	Bright White Paint

Included With

S Screens

Attachment brackets
 Hardware

S Screen

Material Finish Options:

(L) = Laminate
 (V) = Veneer

S Screens are available in the following finishes:

- (118) Bright White Laminate
- (114) Folkstone Grey Laminate
- (Y811) Natural Techwood Veneer
- (Y861) Grigio Techwood Veneer
- (Y871) Iced Sycamore Techwood Veneer
- (V440) Natural Hemlock Veneer
- (V518) Natural Chestnut Veneer

Floorstanding Desk Screens

Planning Guidelines and Specifications

Floorstanding Desk Mounted Screens

Floorstanding desk mounted L screens are available in 42" and 49" high horizons creating two different privacy level options.

L screens are designed to wrap around a corner of a desk, with a 36" or 48"W panel generally along the back edge of the desk, and a 12" or 18"W panel along part of the side of the desk top. Both sides are bracketed to the underside of the top, and are also supported by adjustable levelers at the floor. Desk mount brackets are included for stability.

L screens are handed, so, for example, the left hand version of a 36" wide by 18" deep screen has the 18" wide panel on the left and

the 36" wide panel on the right, from a seated position at the desk. Right hand version has the 18" wide panel on the right and the 36" wide panel on the left, from a seated position.

The L screen corner bracket should be specified when planning an L screen to surround a pedestal supported desktop. A floorstanding pedestal can block access to the standard screen bracket at the end of the top. The brace is installed 25 1/4" above the floor (immediately above floorstanding pedestal height) to join the two panels of the L together. Then the two screen brackets that normally connect each of the panels now are both installed on the long side of the

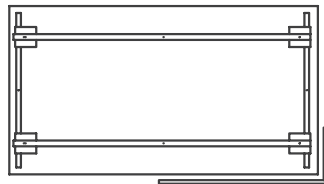
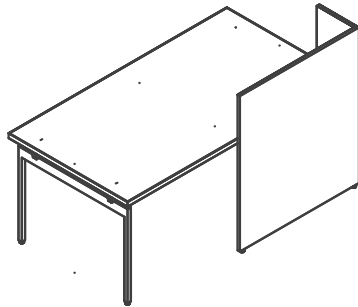
L, to the back side of the top. The bracket is for the most part concealed by the top, though visible just below the 1 1/4" deep cord drop around the corner of the desktop.

Construction

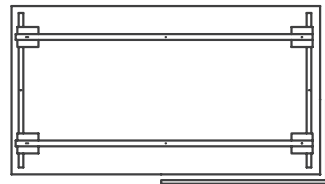
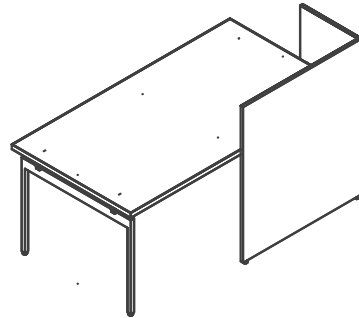
Floorstanding screens are 3/4" MDF construction with surface laminate or veneer on all faces, and 1" diameter levelers with 1 1/2" travel. The L screen corner bracket is die cast aluminum.

Specification Options

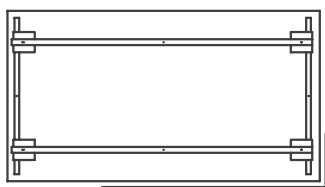
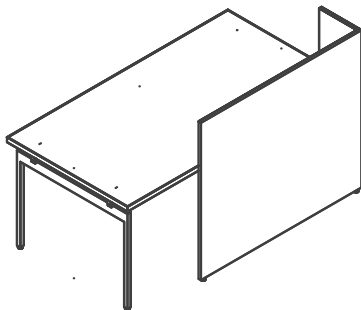
For L screen specify vertical surface type (L or V) and finish in any core laminate or veneer, and bracket finish in any core paint finish. The L screen corner bracket can be specified in any Core paint finish.



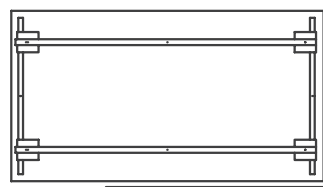
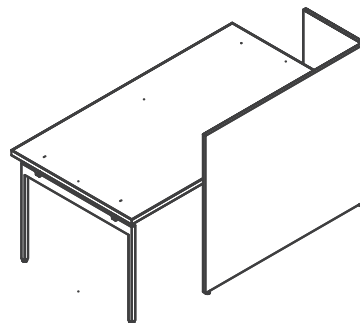
42" High 36" Wide 12" Deep
L Screen, Left End of Desk



42" High 36" Wide 18" Deep
L Screen, Left End of Desk



42" High 48" Wide 12" Deep
L Screen, Left End of Desk





42" High 48" Wide 18" Deep
L Screen, Left End of Desk

Floorstanding Desk Screens

Laminate and Veneer L-Screens

42" and 49" High

description	type	w	d	h	pattern no.	list	Laminate (L)	V1 (V)	V2 (V)	V3 (V)
 <p>42" High L Screens</p> <p><i>Left Shown</i></p>	Left End of Desk	36"	12"	42"	YSFSL423612()	n/a	\$560.	\$1,007.	\$1,158.	\$1,564.
	Left End of Desk	36"	18"	42"	YSFSL423618()	n/a	560.	1,007.	1,158.	1,564.
	Left End of Desk	48"	12"	42"	YSFSL424812()	n/a	672.	1,209.	1,390.	1,876.
	Left End of Desk	48"	18"	42"	YSFSL424818()	n/a	672.	1,209.	1,390.	1,876.
	Right End of Desk	36"	12"	42"	YSFSR423612()	n/a	560.	1,007.	1,158.	1,564.
	Right End of Desk	36"	18"	42"	YSFSR423618()	n/a	560.	1,007.	1,158.	1,564.
	Right End of Desk	48"	12"	42"	YSFSR424812()	n/a	672.	1,209.	1,390.	1,876.
	Right End of Desk	48"	18"	42"	YSFSR424818()	n/a	672.	1,209.	1,390.	1,876.
	 <p>49" High L Screens</p> <p><i>Left Shown</i></p>	Left End of Desk	36"	12"	49"	YSFSL493612()	n/a	672.	1,209.	1,390.
Left End of Desk		36"	18"	49"	YSFSL493618()	n/a	672.	1,209.	1,390.	1,876.
Left End of Desk		48"	12"	49"	YSFSL494812()	n/a	806.	1,455.	1,674.	2,259.
Left End of Desk		48"	18"	49"	YSFSL494818()	n/a	806.	1,455.	1,674.	2,259.
Right End of Desk		36"	12"	49"	YSFSR493612()	n/a	672.	1,209.	1,390.	1,876.
Right End of Desk		36"	18"	49"	YSFSR493618()	n/a	672.	1,209.	1,390.	1,876.
Right End of Desk		48"	12"	49"	YSFSR494812()	n/a	806.	1,455.	1,674.	2,259.
Right End of Desk		48"	18"	49"	YSFSR494818()	n/a	806.	1,455.	1,674.	2,259.
L Screen Corner Bracket		For L Screen Applications with Pedestals				YSFSB	35.	n/a	n/a	n/a

Ordering Information

- L Screen**
1. Pattern Number
 2. Vertical Surface Finish
 3. Bracket Paint Finish

Order Code

L Screens	
<i>Example:</i>	YSFSL423618L, 118, 118T
YSFS	L Screen
L	Left Hand
42	Height
36	Width
18	Depth
L	Laminate
118	Bright White Laminate
118T	Bright White Paint

Included With

Floorstanding Screens
Brackets
Hardware

Options

Floorstanding Screens Finish Options:
(L)=Laminate
(V)=Veneer

Antenna Storage

Antenna storage comprises a broad scope of storage options for suspended files, books and binders, coats and secure storage of personal items and electronics. The scope includes both metal and wood construction, desk mounted, stanchion supported, wall mounted and floorstanding components. Antenna storage is finished on all sides to define work areas, complement individual workspaces and articulate group work and activity areas.

Storage for desks includes pedestals, laptop drawers, suspended, desk-height and floorstanding extension cabinets. Desk extension cabinets are also available for the ends of a big table.

For big tables and Fence, storage options also include stanchion mounted platform shelves and storage cabinets.

For offices and team spaces, Antenna storage cabinets and shelves can be wall mounted or floorstanding.

For group meeting or activity spaces, shelf cabinets can be freestanding storage walls for privacy or space definition.

Antenna Storage Surfaces and Options

Antenna storage components may be finished in a monolithic painted, laminate or veneer surface. Suspended and stanchion mounted open storage cabinets can also be specified in a contrasting interior color laminate. Interior laminate options include core laminates and five accent laminate colors. Storage with enclosed fronts can be specified with painted or laminate case and wood or contrasting core laminate front.

Pulls for Drawers and Doors

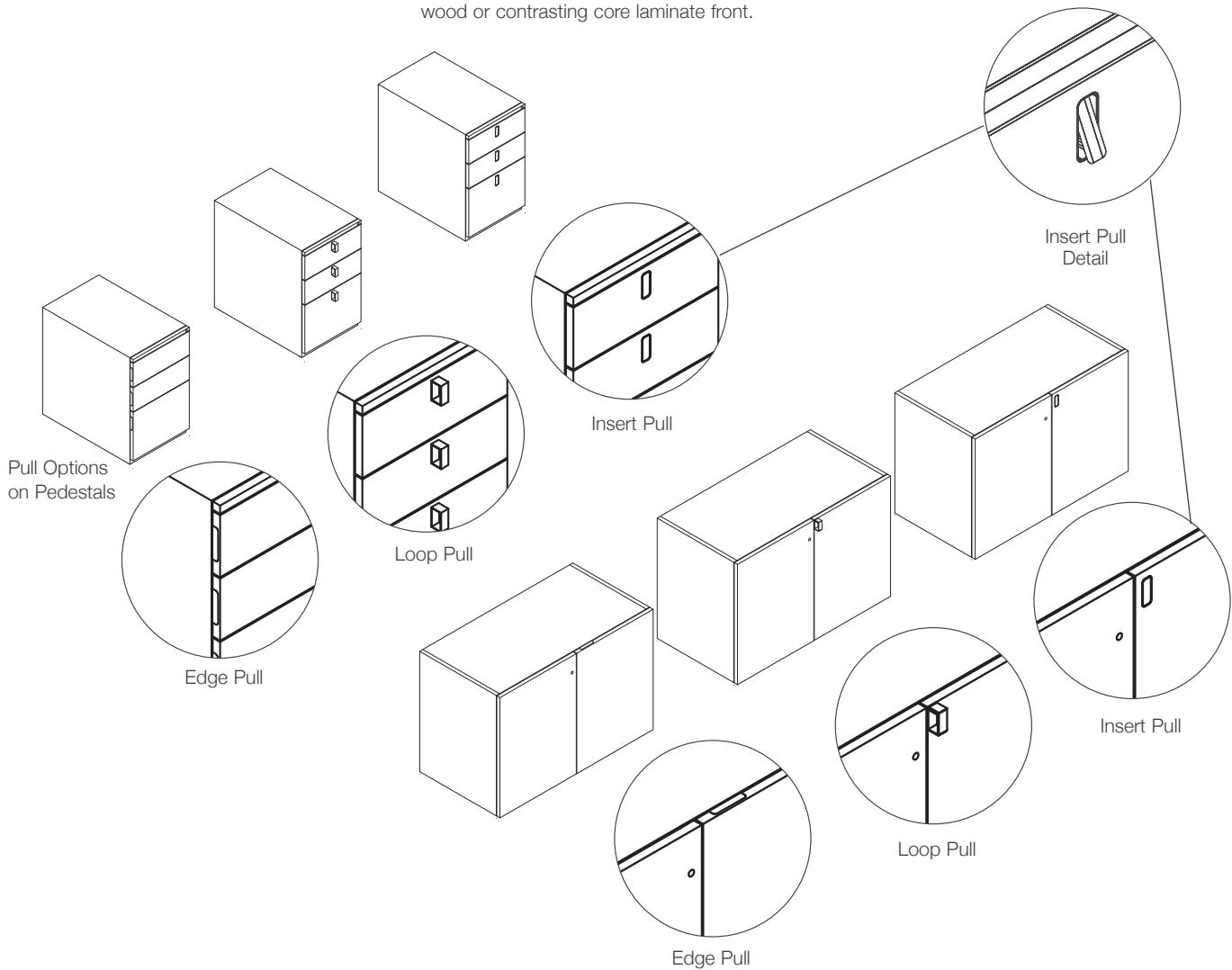
Pedestals and suspended file and hinged door fronts are available with three pull profiles:

Edge pull, a discreet recess in left and right hand edges of drawers and top edge of doors is available in chrome (PD) finish or in any Knoll core paint finish, Dark Red (131) or Slate Blue (132).

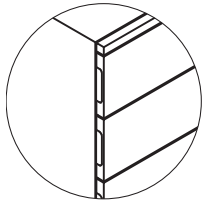
Insert pull, a fingertip hinged tab flush with the front is available in a chrome (PD) finish.

Loop pull, a small open square loop on the surface of the front is available in a chrome (PD) finish or in any Knoll core paint finish, Dark Red (131) or Slate Blue (132).

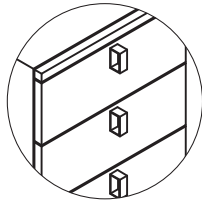
Sliding door fronts include a discreet vertical pull in any Knoll core paint finish.



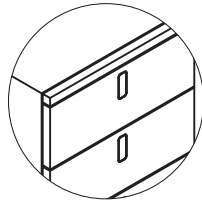
Pedestal Drawer Pull Options



Edge Pull

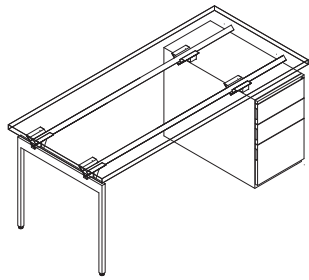


Loop Pull

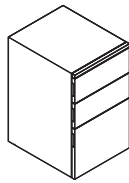


Insert Pull

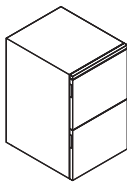
Floorstanding Pedestals



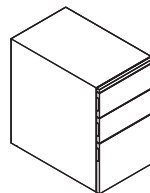
Antenna Desk with Righthanded Floorstanding Pedestal



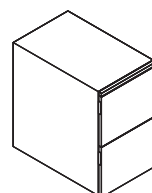
Box/Box/File Pedestal 18" Deep



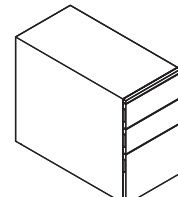
File/File Pedestal 18" Deep



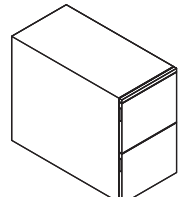
Box/Box/File Pedestal 24" Deep



File/File Pedestal 24" Deep

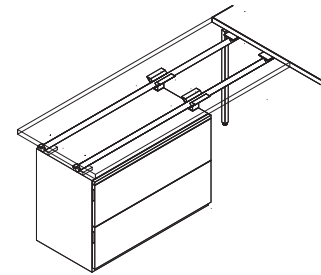


Box/Box/File Pedestal 30" Deep

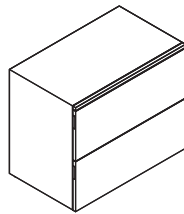


File/File Pedestal 30" Deep

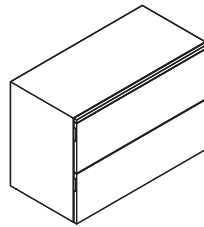
Floorstanding and Freestanding Double Wide Pedestals



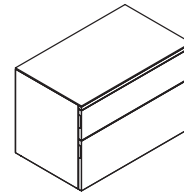
Antenna Desk with Double Wide Pedestal



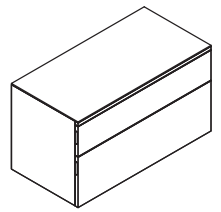
File/File Double Wide Pedestal 30" Wide



File/File Double Wide Pedestal 36" Wide

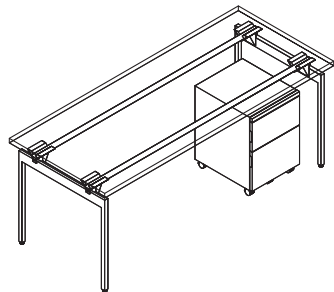


Data/File Double Wide Pedestal 30" Wide

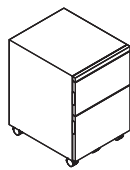


Data/File Double Wide Pedestal 36" Wide

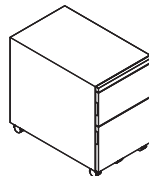
Mobile Pedestals



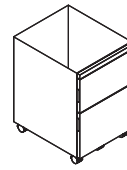
Antenna Desk with Personal/File Mobile Pedestal



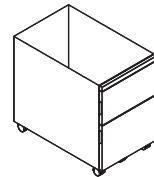
Personal/File Mobile Pedestal 18" Deep



Personal/File Mobile Pedestal 24" Deep



Personal/File Mobile Pedestal with Open Top for Seat Pad 18" Deep



Personal/File Mobile Pedestal with Open Top for Seat Pad 24" Deep

Pedestals

Floorstanding

Planning Guidelines and Specifications

Floorstanding Pedestals

Floorstanding pedestals provide fixed location storage under a desk or return.

Pedestals are 25" high steel cabinets in file/ file or box/box/file configurations that are sized to fit below and connect to desk rails. Floorstanding pedestals can take the place of a leg, in combination with YBATE25 pedestal adapter kit and appropriate ballast, to support one end of a desk top. Ballast kits are required for stability of freestanding desk applications, but may not be required where other end of desk is connected to Fence or perpendicular desk. Ballast kits are available in specific weights for each pedestal depth.

Positioning brackets (YSFA) stabilize and maintain position of floorstanding 25" high pedestals under desk or big table rails when the pedestal is not integrated into the desk structure. Positioning brackets enable floorstanding pedestals to mount adjacent to end legs or other floorstanding pedestals that are connected to the desk with YBATE25 brackets. They are also applicable under bridge tops or tops supported by Fence or Template storage. Positioning brackets fasten with screws into the holes in the top of the pedestal corresponding to desk support rails, or they may be adhered in position under the rails of a big table (adhesive not included in kit).

Ballast kits are still recommended for most floorstanding pedestal but positioning brackets may make ballast unnecessary for pedestals in multiple-position big tables.

Metal pedestals are available in painted steel case with painted wood, laminate or veneer fronts.

Pencil trays can be specified along with pedestals. The five section pencil tray rides on drawer sides of box or file drawers.

Construction

Floorstanding pedestals include full painted steel surround with no seams at back corners, flat steel top, full extension drawer slides and leveling glides with 2" range. Steel top is specified to have mounting holes for adapter kit on right or left side. Actual case height is 24" and stands 1" above the floor. Actual case width is 15" and depths are 17 1/2", 23 1/2", and 29 1/2".

File drawers on 18"D cabinets are 12"W x 15"D and support letter or legal suspended file folders. File drawers on 24"D and 30"D cabinets are 12"W x 21"D and include a divider to enable full depth letter or side to side legal suspended filing.

Box drawers are 5"H x 12"W x 15" or 21"D and can support Knoll universal pencil tray (specified separately).

Pencil trays are plastic injection molded construction, 13 1/4" wide, 5 7/16" deep and 7/8" high.

Specification Options

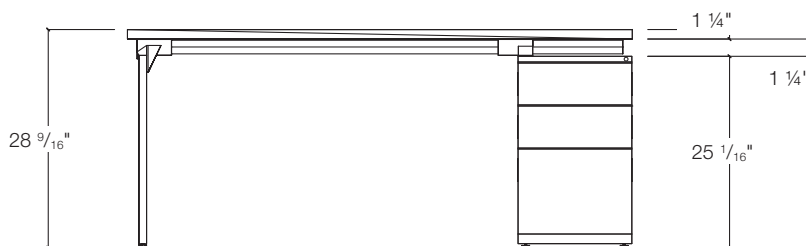
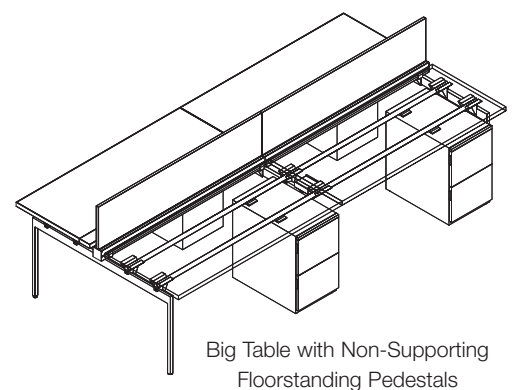
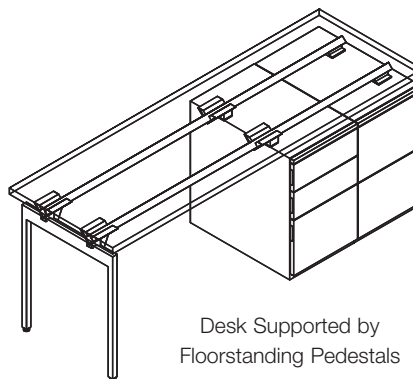
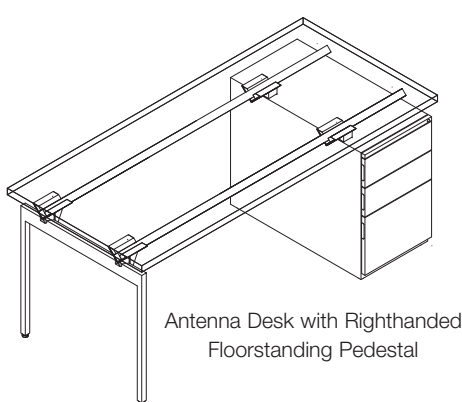
Specify either a left or right mounting position for correct location of holes in the top of the pedestal for connection to desk support adapter brackets. Specify top without holes for freestanding applications under desk rails with positioning brackets YSPA. Front is available either painted (P), laminate (L) or veneer (V). Pedestals can be locking (L) or non-locking (N).

Case is available in any Knoll Core paint finish. Drawer fronts may be specified in any Knoll Core paint, laminate or veneer finish.

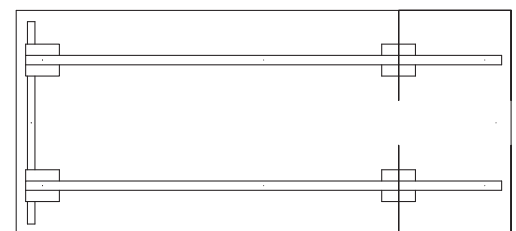
Specify pull type: Edge (E), Insert (I) or Loop (O). Edge pulls are available in any Knoll Core paint finish, Dark Red, Slate Blue or in Chrome (PD). Loop pulls are available in any Knoll Core paint finish, Dark Red or Slate Blue. Insert pulls are available in Chrome (PD).

Desk support adapters and pedestal positioning brackets are available in any Knoll Core paint finish, Dark Red or Slate Blue.

Pencil trays are available in either a black or clear finish.



Righthanded Floorstanding Pedestal Elevation



Righthanded Floorstanding Pedestal in Plan

Pedestals

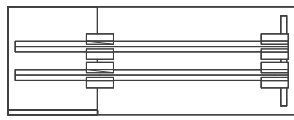
Floorstanding Applications

18"D pedestals can be used under an 18"D return or under a 24"D desk top or return with 1 1/2" inset in front and 5" space at back.

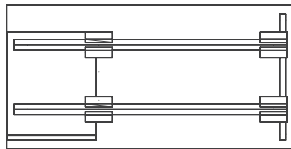
24"D pedestals can be used under 24"D tops flush with front and back, under 27"D tops with a 1 1/2" inset front and a 2" inset back, or under 30"D tops with a 1 1/2" inset front and 5" in back.

30"D pedestals can be used under 30"D tops, flush with front and back, or under 36"D tops with 1 1/2" in front and 5" in back.

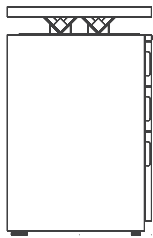
18" Deep Pedestal Applications



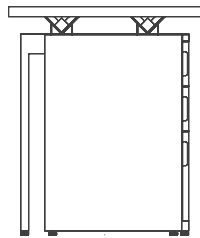
18"D Pedestal with 18"D Top in Plan



18"D Pedestal with 24"D Top in Plan

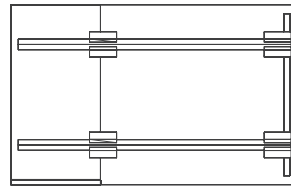


18"D Pedestal with 18"D Top End Elevation

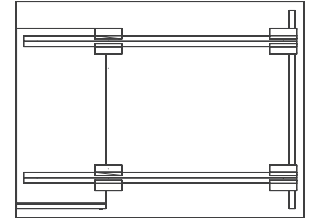


18"D Pedestal with 24"D Top End Elevation

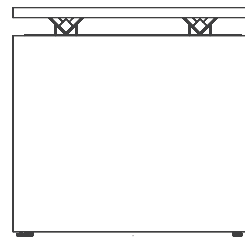
30" Deep Pedestal Applications



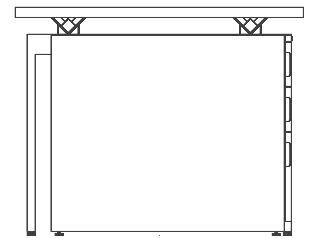
30"D Pedestal with 30"D Top in Plan



30"D Pedestal with 36"D Top in Plan

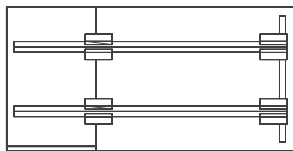


30"D Pedestal with 30"D Top End Elevation

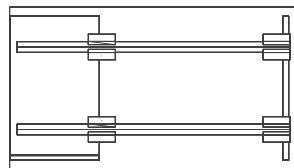


30"D Pedestal with 36"D Top End Elevation

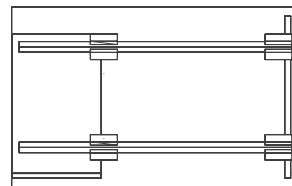
24" Deep Pedestal Applications



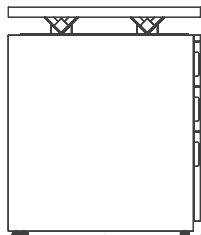
24"D Pedestal with 24"D Top in Plan



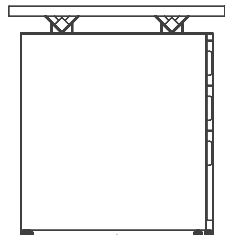
24"D Pedestal with 27"D Top in Plan



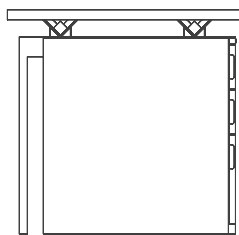
24"D Pedestal with 30"D Top in Plan



24"D Pedestal with 24"D Top End Elevation



24"D Pedestal with 27"D Top End Elevation

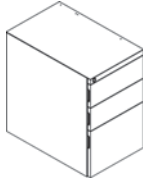
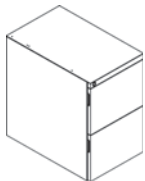


24"D Pedestal with 30"D Top End Elevation

Pedestals

Floorstanding

18", 24" and 30" Deep

description	type	w	d	h	pattern no.	list	Painted Fronts (P)	Laminate Fronts (L)	V1 Fronts (V)	V2 Fronts (V)	V3 Fronts (V)
	For Left 18" Deep Desk Mount	15"	17 1/2"	25"	YSFBBF18L()L	\$1,300.	\$1,397.	\$1,471.	\$1,515.	\$1,646.	
	For Left 24" Deep Desk Mount	15"	23 1/2"	25"	YSFBBF24L()L	1,410.	1,462.	1,535.	1,578.	1,715.	
	For Left 30" Deep Desk Mount	15"	29 1/2"	25"	YSFBBF30L()L	1,438.	1,491.	1,564.	1,606.	1,743.	
	For Right 18" Deep Desk Mount	15"	17 1/2"	25"	YSFBBF18R()L	1,300.	1,397.	1,471.	1,515.	1,646.	
	For Right 24" Deep Desk Mount	15"	23 1/2"	25"	YSFBBF24R()L	1,410.	1,462.	1,535.	1,578.	1,715.	
	For Right 30" Deep Desk Mount	15"	29 1/2"	25"	YSFBBF30R()L	1,438.	1,491.	1,564.	1,606.	1,743.	
	No holes on top 18" Deep	15"	17 1/2"	25"	YSFBBF18N()L	1,300.	1,397.	1,471.	1,515.	1,646.	
	No holes on top 24" Deep	15"	23 1/2"	25"	YSFBBF24N()L	1,410.	1,462.	1,535.	1,578.	1,715.	
	No holes on top 30" Deep	15"	29 1/2"	25"	YSFBBF30N()L	1,438.	1,491.	1,564.	1,606.	1,743.	
	For Left 18" Deep Desk Mount	15"	17 1/2"	25"	YSFFF18L()L	1,113.	1,223.	1,279.	1,350.	1,481.	
	For Left 24" Deep Desk Mount	15"	23 1/2"	25"	YSFFF24L()L	1,205.	1,275.	1,336.	1,412.	1,544.	
	For Left 30" Deep Desk Mount	15"	29 1/2"	25"	YSFFF30L()L	1,234.	1,303.	1,529.	1,564.	1,629.	
	For Right 18" Deep Desk Mount	15"	17 1/2"	25"	YSFFF18R()L	1,113.	1,223.	1,279.	1,350.	1,481.	
	For Right 24" Deep Desk Mount	15"	23 1/2"	25"	YSFFF24R()L	1,205.	1,275.	1,336.	1,412.	1,544.	
	For Right 30" Deep Desk Mount	15"	29 1/2"	25"	YSFFF30R()L	1,234.	1,303.	1,529.	1,564.	1,629.	
	No holes on top 18" Deep	15"	17 1/2"	25"	YSFFF18N()L	1,113.	1,223.	1,279.	1,350.	1,481.	
	No holes on top 24" Deep	15"	23 1/2"	25"	YSFFF24N()L	1,205.	1,275.	1,336.	1,412.	1,544.	
No holes on top 30" Deep	15"	29 1/2"	25"	YSFFF30N()L	1,234.	1,303.	1,529.	1,564.	1,629.		
Floorstanding Pedestal Ballast/ Counterweight	For 18" or 30" Deep Pedestal				YSFB18	123.					
	For 24" Deep Pedestal				YSFB24	195.					

Pedestal Desk Support Adapters (pair)	For use with 25" High Pedestal	4"	3"	3"	YBATE25	95.
---------------------------------------	--------------------------------	----	----	----	----------------	-----



(YBATE25 shown)

Pedestal Positioning Brackets	Includes 2 brackets and hardware				YSFA	16.
-------------------------------	----------------------------------	--	--	--	-------------	-----



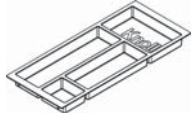
Ordering Information	Order Code	Included With	Options
Floorstanding Pedestal 1. Pattern Number 2. Case Finish 3. Front Finish 4. Pull Type 5. Pull Finish	Floorstanding Pedestal <i>Example:</i> YSFBBF24LPL, 118T, 118T, E, 118T YPFBBF Box/Box/File Pedestal 24 Depth L Left Mount P Painted Front L Lock 118T Bright White Case 118T Bright White Front E Edge Pull 118T Bright White Pull	Floorstanding Pedestal Glides File Rails (24" and 30" Deep Only) Desk adapter brackets and pencil trays sold separately. Pedestal Desk Support Adapters Hardware Lock Options: To specify a floorstanding pedestal without a lock, replace the "L" suffix in the pattern number with an "N".	Floorstanding Drawer Front Finish Options: (P)=Painted (L)=Laminate (V)=Veneer Drawer Front Pull Options: (E)=Edge Pull (I)=Insert Pull (O)=Loop Pull Add \$40 to the list price when a pull is specified with a painted finish. See planning guide page for drawer pull finish options.

Pedestals

Floorstanding

18", 24" and 30" Deep

description	type	w	d	h	pattern no.	list	Painted Fronts (P)	Laminate Fronts (L)	V1 Fronts (V)	V2 Fronts (V)	V3 Fronts (V)
Pencil Tray	Black Finish	13 1/4"	5 7/8"	7/8"	YAPTN	\$40.					
	Clear Finish	13 1/4"	5 7/8"	7/8"	YAPTC	47.					



Ordering Information

Floorstanding Pedestal

1. Pattern Number
2. Case Finish
3. Front Finish
4. Pull Type
5. Pull Finish

Pedestal Desk Support Adapters

1. Pattern Number
2. Paint Finish

Order Code

Floorstanding Pedestal

Example: YSFBBF24LPL, 118T, 118T, E, 118T

YPFBBF Box/Box/File Pedestal
24 Depth

L Left Mount

P Painted Front

L Lock

118T Bright White Case

118T Bright White Front

E Edge Pull

118T Bright White Pull

Included With

Floorstanding Pedestal

Glides
File Rails
(24" and 30" Deep Only)

Desk adapter brackets and pencil trays sold separately.

Pedestal Desk Support Adapters

Hardware

Lock Options:

To specify a floorstanding pedestal without a lock, replace the "L" suffix in the pattern number with an "N".

Options

Floorstanding

Drawer Front Finish Options:

(P)=Painted
(L)=Laminate
(V)=Veneer

Drawer Front Pull Options:

(E)=Edge Pull
(I)=Insert Pull
(O)=Loop Pull

Add \$40 to the list price when a pull is specified with a painted finish.

See planning guide page for drawer pull finish options.

Floorstanding and Freestanding Double Wide Planning Guidelines and Specifications

Freestanding Double Wide Pedestals

Antenna Data/File and File/File double wide pedestals are 30" or 36" wide, sized to fit below or connect to Antenna desk support rails.

Double wide pedestals are available without any holes on top for entirely freestanding applications, or when using YSFA positioning bracket on top to hold a freestanding file/file pedestal in position under desk rails.

Ballast kit is required in all freestanding applications.

Floorstanding Double Wide Pedestals

Antenna File/File Double wide pedestals are just 25" high, and can take the place of a leg by using bracket kit YBAW25, and appropriate ballast, to support one end of a desk or return top 18" or 24" deep. Floorstanding pedestals are specified with pre-drilled attachment positions on either the right or left side of the top of the cabinet. For 27" or deeper tops an end leg should be specified next to a freestanding pedestal.

All double wide pedestals include an interlock to prevent both drawers from opening at the same time.

Ballast kits are required for stability of pedestal-supported freestanding credenzas, but are not required where other end of top is connected to Fence or perpendicular desk. Ballast kits are available in specific weights for each pedestal width.

Construction

Double wide pedestals include steel surround with no seams at back corners, flat steel top, full extension drawer slides and 3" leveling glides. Steel top is specified to have holes for adapter kit to mount to 18" or 24" depth top or to have no holes for freestanding applications.

File drawers in 30" wide cabinets are actual 27" wide x 15" deep. File drawers in 36" wide cabinets are actual 33" wide x 15"D. All double wide pedestals include four front to back file support rails for letter or legal suspended file folders.

Actual case widths are 30" and 36" and depths are 17 1/2". File/file case height is 24"; Data/file case height is 20". Starting point for glides is typically 1" extension, with up to 1 1/2" additional leveling available.

Metal pedestals are available in painted steel case with painted wood, laminate or veneer fronts.

Specification Options

Specify planning application for attachment to 18" or 24" deep top (18 or 24) or freestanding (N).

Front is available painted (P), laminate (L) or veneer (V).

Pedestals can be locking (L) or without lock (N).

Case is available in any Knoll Core paint finish.

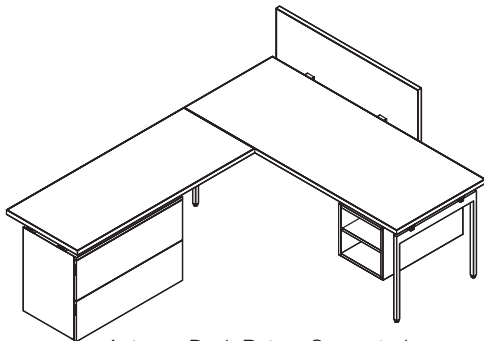
Drawer fronts may be specified in any Knoll Core paint, laminate or veneer finish.

Specify pull type: Edge (E), Insert (I) or Loop (O).

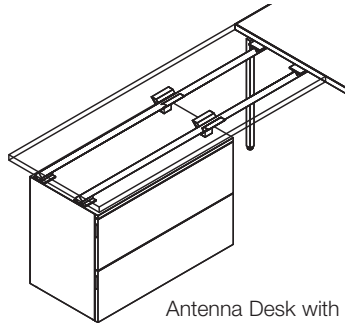
Edge pulls are available in any Knoll Core paint finish, Dark Red, Slate Blue or in Chrome (PD). Loop pulls are available in any Knoll Core paint finish, Dark Red or Slate Blue.

Insert pulls are available in Chrome (PD) only.

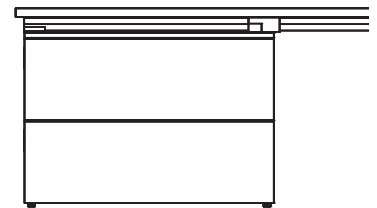
Desk support adapters and pedestal positioning brackets are available in any Knoll Core paint finish, Dark Red or Slate Blue.



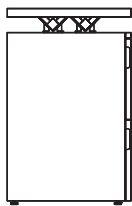
Antenna Desk Return Supported by Double Wide Pedestal



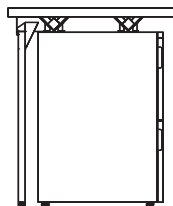
Antenna Desk with Double Wide Pedestal



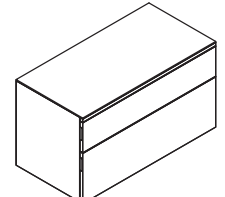
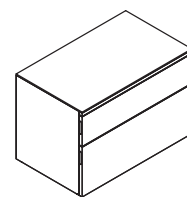
Double Wide Pedestal Front Elevation



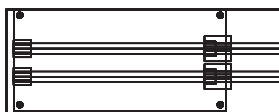
18"D Double Wide Pedestal with 18"D Top End Elevation



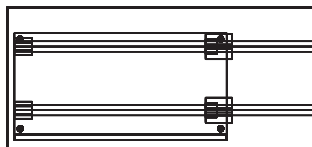
18"D Double Wide Pedestal with 24"D Top End Elevation



Data/File Double Wide Pedestal, 30" or 36"



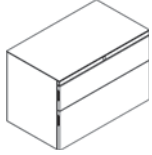
18"D Double Wide Pedestal with 18"D Top in Plan



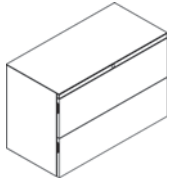
18"D Double Wide Pedestal with 24"D Top in Plan

*Floorstanding and Freestanding Double Wide
30" or 36" Wide*

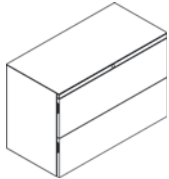
description	type	w	d	h	pattern no.	list	Painted Fronts (P)	Laminate Fronts (L)	V1 Fronts (V)	V2 Fronts (V)	V3 Fronts (V)
Freestanding Data/File Double Wide Pedestals	For use with Counterweight	30"	17 1/2"	21"	YSFWDF30N()L	n/a	\$1,656.	\$1,785.	\$1,953.	\$2,096.	\$2,381.
	For use with Counterweight	36"	17 1/2"	21"	YSFWDF36N()L	n/a	1,863.	2,018.	2,217.	2,391.	2,732.



Freestanding File/File Double Wide Pedestals	For use with Counterweight	30"	17 1/2"	25"	YSFWFF30N()L	n/a	1,791.	1,931.	2,112.	2,267.	2,574.
	For use with Counterweight	36"	17 1/2"	25"	YSFWFF36N()L	n/a	2,015.	2,183.	2,397.	2,585.	2,955.




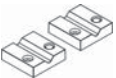
Floorstanding Desk Support File/File Double Wide Pedestals	30"W For use with 18" Deep Top	30"	17 1/2"	25"	YSFWFF3018()L	n/a	1,791.	1,931.	2,112.	2,267.	2,574.
	30"W For use with 24" Deep Top	30"	17 1/2"	25"	YSFWFF3024()L	n/a	1,791.	1,931.	2,112.	2,267.	2,574.
	36"W For use with 18" Deep Top	36"	17 1/2"	25"	YSFWFF3618()L	n/a	2,015.	2,183.	2,397.	2,585.	2,955.
	36"W For use with 24" Deep Top	36"	17 1/2"	25"	YSFWFF3624()L	n/a	2,015.	2,183.	2,397.	2,585.	2,955.



Ordering Information	Order Code	Included With	Options
Floorstanding Pedestal 1. Pattern Number 2. Case Finish 3. Front Finish 4. Pull Type 5. Pull Finish	Floorstanding Pedestal <i>Example:</i> YSFWFF3018PL, 118T, 118T, E, 118T <hr/> YSFWFF File/File Double Wide Pedestal <hr/> 30 Width <hr/> 18 Top Depth <hr/> P Painted Front <hr/> L Lock <hr/> 118T Bright White Case <hr/> 118T Bright White Front <hr/> E Edge Pull <hr/> 118T Bright White Pull	Floorstanding Pedestal Glides File Rails Desk adapter brackets and pencil trays sold separately. Double Wide Pedestal Desk Support Adapters Hardware Lock Options: To specify a floorstanding pedestal without a lock, replace the "L" suffix in the pattern number with an "N".	Floorstanding Drawer Front Finish Options: (P)=Painted (L)=Laminate (V)=Veneer Drawer Front Pull Options: (E)=Edge Pull (I)=Insert Pull (O)=Loop Pull Add \$40 to the list price when a pull is specified with a painted finish. See planning guide page for drawer pull finish options.

Pedestals

Floorstanding and Freestanding Double Wide Pedestal Accessories

description	type	w	d	h	pattern no.	list
Double Wide Pedestal	For 30" Wide Pedestal				YSFWB30	\$312.
Ballast/Counterweight	For 36" Wide Pedestal				YSFWB36	376.
Double Wide Pedestal Desk Support Adapters (pair)	For use with Double Wide Pedestal	4"	3"	3"	YBAW25	123.
						
Pedestal Positioning Brackets	Includes 2 brackets and hardware				YSFA	16.
						

Ordering Information	Order Code	Included With	Options
Floorstanding Pedestal 1. Pattern Number 2. Case Finish 3. Front Finish 4. Pull Type 5. Pull Finish Double Wide Pedestal Desk Support Adapters 1. Pattern Number 2. Paint Finish	Floorstanding Pedestal <i>Example:</i> YSFWFF3018PL, 118T, 118T, E, 118T YSFWFF File/File Double Wide Pedestal 30 Width 18 Top Depth P Painted Front L Lock 118T Bright White Case 118T Bright White Front E Edge Pull 118T Bright White Pull	Floorstanding Pedestal Glides File Rails Desk adapter brackets and pencil trays sold separately. Double Wide Pedestal Desk Support Adapters Hardware Lock Options: To specify a floorstanding pedestal without a lock, replace the "L" suffix in the pattern number with an "N".	Floorstanding Drawer Front Finish Options: (P)=Painted (L)=Laminate (V)=Veneer Drawer Front Pull Options: (E)=Edge Pull (I)=Insert Pull (O)=Loop Pull Add \$40 to the list price when a pull is specified with a painted finish. See planning guide page for drawer pull finish options.

Pedestals

Mobile

Planning Guidelines and Specifications

Mobile Pedestals

Mobile pedestals offer flexibility in location, and include locking casters for stability where located. Metal pedestals are available in painted steel case with painted wood, laminate or veneer fronts. Mobile pedestals may be specified with flat steel top or without a top, for use with optional seat pad tops.

Mobile pedestals are available in combination of one 7"H data file drawer, and one 11"H standard suspended file drawer with a "fifth wheel" for stability. Data drawer can support Knoll universal pencil tray (specified separately) and is tall enough to contain DVD "jewel" cases vertically.

Pencil trays can be specified along with pedestals. The five section pencil tray rides on drawer sides of box or file drawers.

Seat cushions are specified separately for mobile pedestals with an open top. Seat cushions are upholstered from the front to the back of the pedestal with the fabric direction matching the textile sample.

Construction

Mobile pedestals include full painted steel surround with no seams at back corners, full extension file drawer slides and ¾ extension data drawer slides, two locking and two non-locking 1 ½" diameter casters, plus caster under file drawer. Actual case height is 20" and stands 2" above the floor. Actual case width is 15" and depths are 17 ½" or 23 ½".

File drawer on 18"D mobile pedestals are 12"W x 15"D and support letter or legal suspended file folders.

File drawer on 24"D mobile pedestals are 12"W x 21"D and include a divider to enable full depth letter or side to side legal suspended filing

Data drawers are 6"H x 12"W x 15" or 21"D.

Pencil trays are plastic injection molded construction, 13 ¼" wide, 5-7/16" deep and 7/8" high.

Specification Options

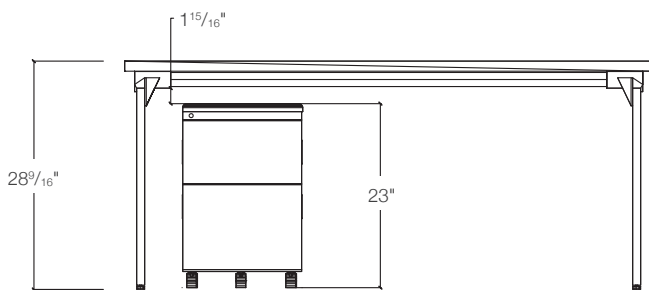
Front is available either painted (P), laminate (L) or veneer (V). Pedestals include lock (L) on upper left corner of pedestal to facilitate moving pedestal.

Case is available in any Knoll Core paint finish. Drawer fronts may be specified in any Knoll Core paint, laminate or veneer finish.

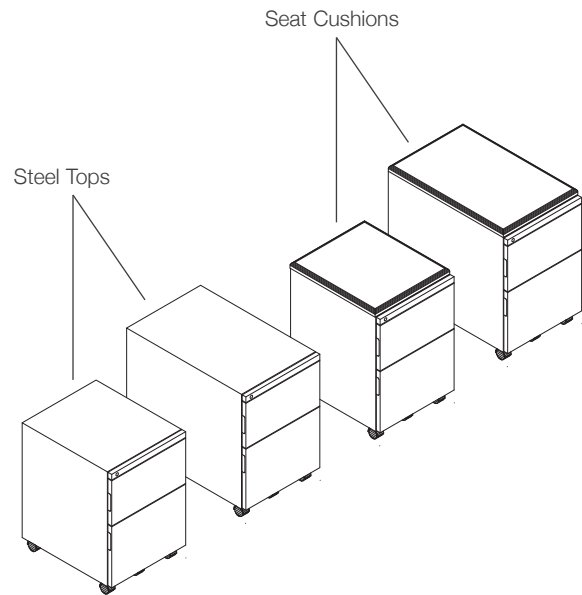
Specify pull type: Edge (E), Insert (I) or Loop (O). Edge pulls are available in any Knoll Core paint finish, Dark Red, Slate Blue or in Chrome (PD). Loop pulls are available in any Knoll Core paint finish, Dark Red or Slate Blue. Insert pulls are available in Chrome (PD).

Seat cushions may be specified in any Antenna approved textile. For Customers Own Material (COM) applications, specify .75 yards of fabric for 17" deep mobile pedestal seat cushion, and .90 yards for 23" deep seat cushion.

Pencil trays are available in either a black or clear finish.



Antenna Desk with Mobile Pedestal Elevation



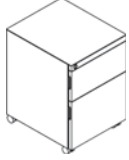
Mobile Pedestal Options

Pedestals

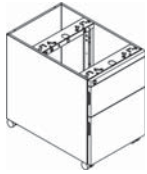
Mobile

18" and 24" Deep

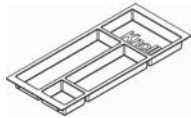
description	type	w	d	h	pattern no.	list	Painted Fronts (P)	Laminate Fronts (L)	V1 Fronts (V)	V2 Fronts (V)	V3 Fronts (V)
Mobile Personal/File Pedestals, Full Top	18" Deep Pedestal	15"	18"	22"	YSMPDF18()L	\$0.	\$1,095.	\$1,221.	\$1,294.	\$1,382.	\$1,439.
	24" Deep Pedestal	15"	24"	22"	YSMPDF24()L	0.	1,242.	1,275.	1,484.	1,577.	1,636.



Mobile Personal/File Pedestals, Open Top for Seat Pad	18" Deep Pedestal	15"	18"	22"	YSMOPDF18()L	0.	1,039.	1,164.	1,258.	1,348.	1,400.
	24" Deep Pedestal	15"	24"	22"	YSMOPDF24()L	0.	1,170.	1,202.	1,440.	1,530.	1,592.



Pencil Tray	Black Finish	13 1/4"	5 7/8"	7/8"	YAPTN	40.
	Clear Finish	13 1/4"	5 7/8"	7/8"	YAPTC	47.



Ordering Information	Order Code	Included With	Options
Mobile Pedestal	Mobile Pedestal	Mobile Pedestal	Mobile Pedestal
1. Pattern Number	<i>Example:</i> YSMPDF18PL, 118T, 118T, E, 118T	(5) Casters	Drawer Front Finish Options:
2. Case Finish	YSMPDF Personal/File Pedestal	File Rails	(P)=Painted
3. Front Finish	18 Depth	(24" and 30" Deep Only)	(L)=Laminate
4. Pull Type	P Painted Front	Specify seat pad for open top mobile pedestal separately	(V)=Veneer
5. Pull Finish	L Lock	Pencil trays sold separately.	Drawer Front Pull Options:
	118T Bright White Painted Case		(E)=Edge Pull
	118T Bright White Painted Front		(I)=Insert Pull
	E Edge Pull		(O)=Loop Pull
	118T Bright White Painted Pull		Add \$40 to the list price when a pull is specified with a painted finish.
			See planning guide page for drawer pull finish options.
			Lock Options:
			To specify a floorstanding pedestal without a lock, replace the "L" suffix in the pattern number with an "N".

Pedestals

Seat Cushions

18" and 24" Deep

description	type	w	d	h	pattern no.	A	B	C	D	E	F	G	H	I
Seat Cushions	For 18" Deep Mobile Pedestal	15"	17"	1"	YSSPAD	\$199.	\$230.	\$261.	\$275.	\$291.	\$322.	\$352.	\$400.	\$414.
	For 24" Deep Mobile Pedestal	15"	23"	1"	YSDPAD	245.	275.	322.	337.	368.	400.	444.	491.	507.



Ordering Information

Seat Cushions

1. Pattern Number
2. Fabric Finish

Order Code

Seat Cushions

Example: **YSSPAD, Y351**

YS Storage

S 18" Deep

PAD Cushion

Y351 Foundation

Included With

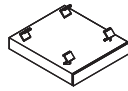
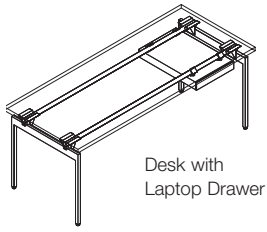
Seat Cushions

Options

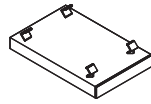
Seat Cushions

For CAL133 backing on the cushion, add \$77 to the list price.

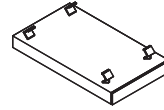
Laptop Drawer



21" Deep
(24" or 27" Deep Top)

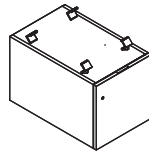
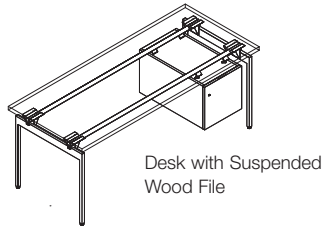


27" Deep
(30" Deep Top)

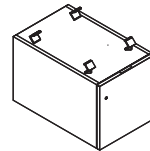


30" Deep
(36" Deep Top)

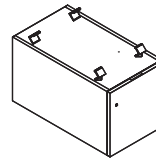
Suspended Wood Files



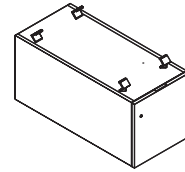
24" Deep Desk



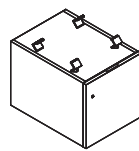
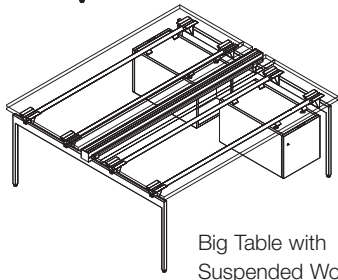
27" Deep Desk



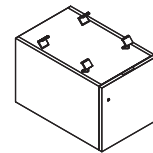
30" Deep Desk



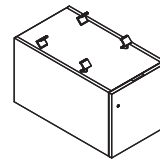
36" Deep Desk



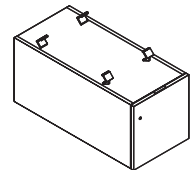
24" Deep Big Table



27" Deep Big Table

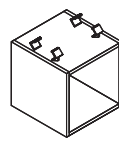
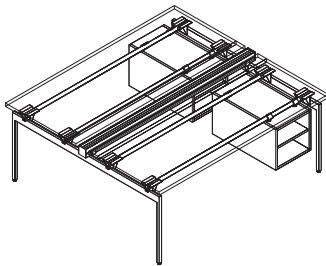
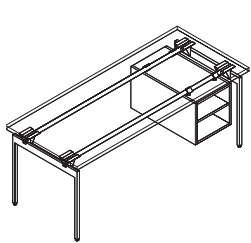


30" Deep Big Table

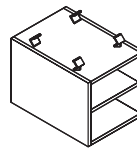


36" Deep Big Table

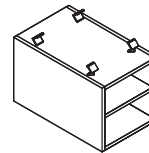
Suspended Open Cabinet with Front and Back Access



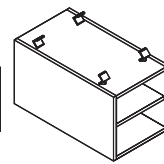
18" Deep



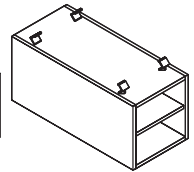
24" Deep



27" Deep

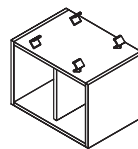
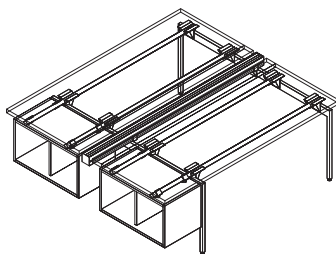
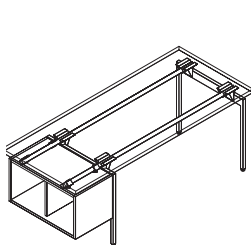


30" Deep

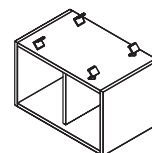


36" Deep

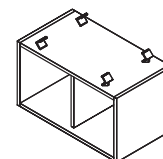
Suspended Open Cabinet with Side Access



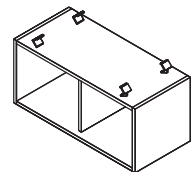
24" Deep



27" Deep

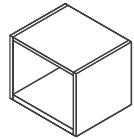
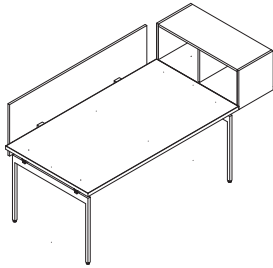


30" Deep

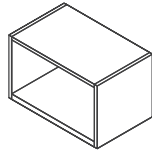


36" Deep

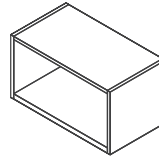
Desk Extension Cabinets



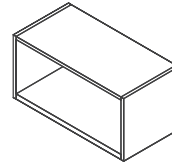
Above Desk
Extension Cabinet
18" Deep



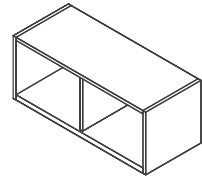
Above Desk
Extension Cabinet
24" Deep



Above Desk
Extension Cabinet
27" Deep

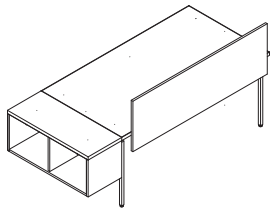


Above Desk
Extension Cabinet
30" Deep

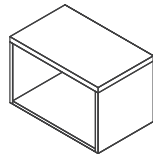


Above Desk
Extension Cabinet
36" Deep

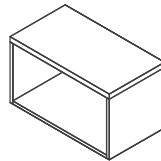
Above Desk Extension
Cabinet Front



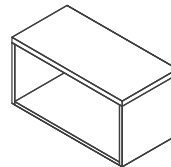
Below Desk Extension
Cabinet Back



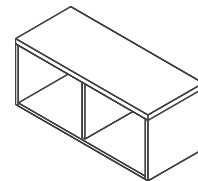
Below Desk
Extension Cabinet
24" Deep



Below Desk
Extension Cabinet
27" Deep

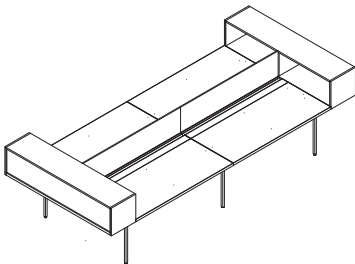


Below Desk
Extension Cabinet
30" Deep

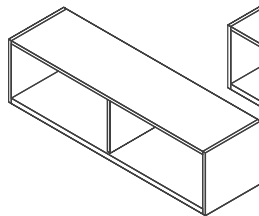


Below Desk
Extension Cabinet
36" Deep

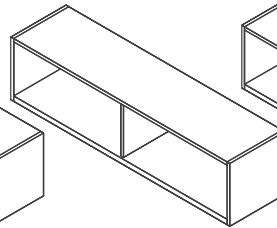
Big Table Extension Cabinets



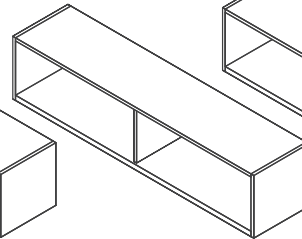
Above Desk Extension
Cabinets for Big Table



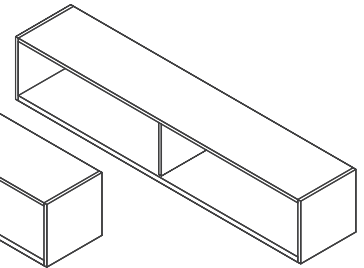
Above Big Table Extension
Cabinet
24" Deep Dual Big Table



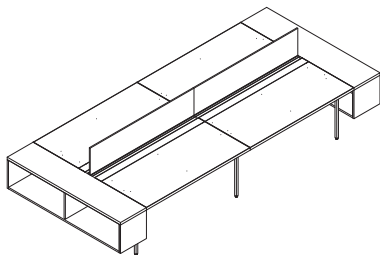
Above Big Table
Extension Cabinet
27" Deep Dual Big Table



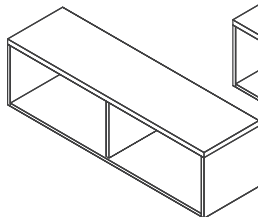
Above Big Table
Extension Cabinet
30" Deep Dual Big Table



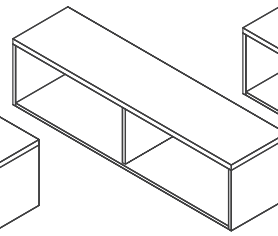
Above Big Table
Extension Cabinet
36" Deep Dual Big Table



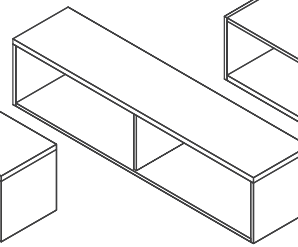
Below Desk Extension
Cabinets for Big Table



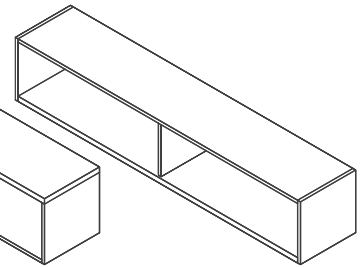
Below Big Table
Extension Cabinet
24" Deep Dual Big Table



Below Big Table
Extension Cabinet
27" Deep Dual Big Table



Below Big Table
Extension Cabinet
30" Deep Dual Big Table



Below Big Table
Extension Cabinet
36" Deep Dual Big Table

Laptop Drawer

Planning Guidelines and Specifications

The laptop drawer is a 2 1/2" high secure storage drawer for laptops, small personal items or electronics.

It is 15" wide and either 21" deep for use under 24" or 27" deep tops, or 27" deep for use under 30" deep tops, or 30" deep for use under 36" deep tops. It includes brackets for suspension from desk top rails. The drawer interior is 12 3/8" wide x 16 3/4" deep x 2 3/8" high and features two 2" diameter, lined cable grommets in the drawer bottom. Laptop drawers have a lock.

Laptop drawers can be mounted anywhere under desk or big table rails, as close as 3" to the inside face of a leg or directly adjacent to the outside face of a leg.

An optional drawer pad is available for the bottom of the drawer, providing a quiet, resilient surface for stored electronics. The recycled leather pad may be specified with grommets that correspond to the grommets in the drawer bottom or without grommets to cover the grommets in the drawer bottom.

An optional cable net is recommended to manage power cords from the drawer bottom to the back of a laptop drawer case. The net is a flexible open weave construction with a perimeter elastic cord to maintain the shape. The net is fastened to the underside of the laptop drawer case with screws.

Pencil trays can be specified separately for use in a laptop drawer. The five section pencil tray rides on the sides of a laptop drawer.

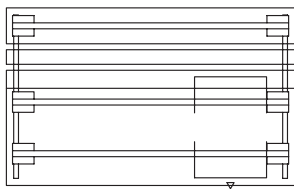
Construction

The laptop drawer has a steel top enclosure 21" or 27" or 30" deep and full extension 19"D drawer slides. The cable net is made of Polypropylene Net with Nylon. The drawer pad is 1.15mm thick Novous Black recycled leather.

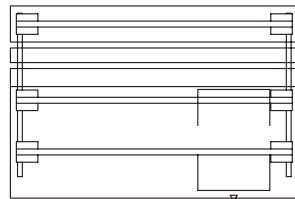
Pencil trays are plastic injection molded construction, 13 1/4" wide, 5 7/16" deep and 7/8" high.

Specification Options

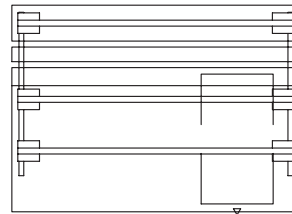
Specify laptop drawer in any Knoll Core paint finish. Drawer pad and net are black. Pencil trays are available in a black or clear finish.



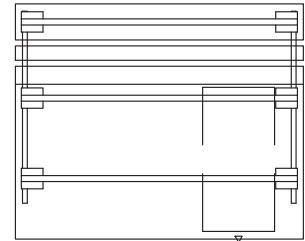
24"D Top with 21" D Laptop
Drawer Plan View



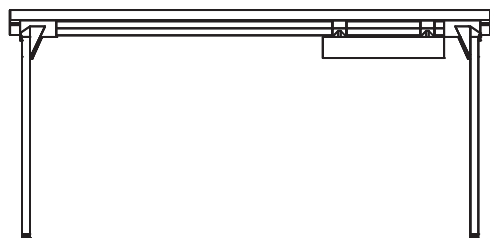
27"D Top with 21" D Laptop
Drawer Plan View



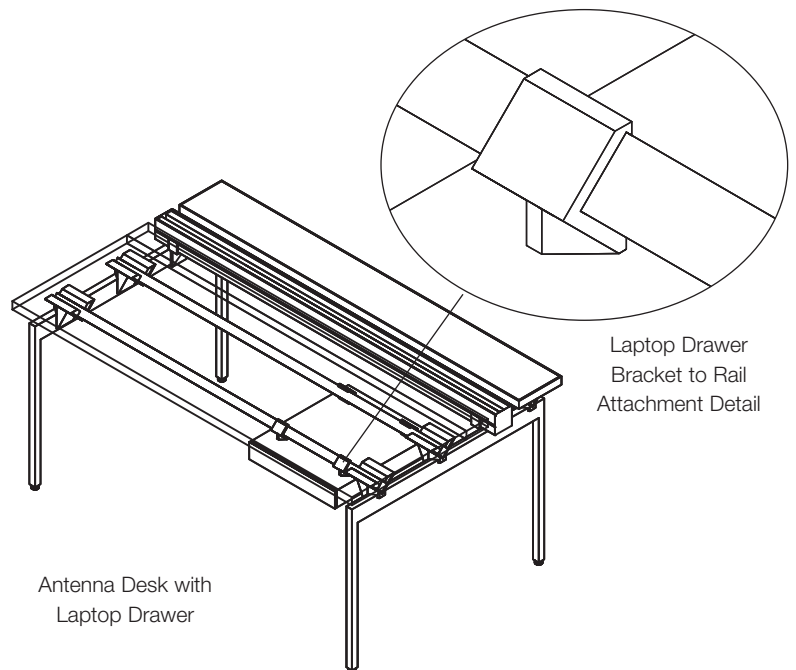
30"D Top with 27" D Laptop
Drawer Plan View



36"D Top with 30" D Laptop
Drawer Plan View



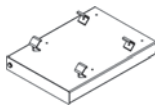

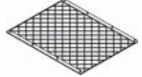
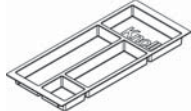
Antenna Desk with Laptop Drawer
Front Elevation View



Antenna Desk with
Laptop Drawer

Laptop Drawer
Bracket to Rail
Attachment Detail

Laptop Drawer 15" Wide

description	type	w	d	h	pattern no.	list
	For Use With 24" or 27" Deep Desk or Big Table	15"	21"	3 1/2"	YSAD21	\$935.
	For Use With 30" Deep Desk or Big Table	15"	27"	3 1/2"	YSAD27	978.
	For Use With 36" Deep Desk or Big Table	15"	30"	3 1/2"	YSAD30	1,139.
Drawer Pad (with grommet shown) 	For Use With a Laptop Drawer w/o a Grommet				YSADPADN	82.
	For Use With a Laptop Drawer With a Grommet				YSADPADG	82.
Cable Net 	For Use With 21" Deep Laptop Drawer				YSAD21NET	43.
	For Use With 27" D or 30"D Laptop Drawer				YSAD27NET	55.
Pencil Tray 	Black Finish	13 1/4"	5 7/8"	7/8"	YAPTN	40.
	Clear Finish	13 1/4"	5 7/8"	7/8"	YAPTC	47.

Ordering Information

Laptop Drawer

1. Pattern Number
2. Paint Finish

Drawer Pad/Cable Net

1. Pattern Number

Order Code

Laptop Drawer

Example: **YSAD21, 118T**

YS	Storage
AD	Drawer
21	Depth
118T	Bright White Paint

Drawer Pad

Example: **YSADPADG**

YS	Storage
AD	Drawer
PAD	Pad
G	With Grommet

Included With

Laptop Drawer

Brackets
Hardware

Drawer pad, cable net and pencil tray are specified separately from laptop drawer.

Options

Laptop Drawer

Laptop drawers have grommets in the bottom of the drawer and are always locking.

Suspended Storage

Wood Files

Planning Guidelines and Specifications

Suspended Wood File

The suspended wood file combines personal storage and filing in a single unit. Suspended wood files attach to 24", 27", 30" or 36" deep desks or big tables. This wood construction cabinet suspends from desk or big table rails and includes a standard letter by legal file drawer. The full file front is 15" x 15" and mounted to a full extension file drawer. The personal drawer is 1" high with independent slides accessible behind the file drawer front.

Suspended wood files can be specified in all laminate or veneer, laminate with veneer front, or mixed surface laminate: "Interior" of laminate open back storage area can be specified in a contrasting core or "pop" laminate.

Cabinets must be specified 3" less than the top depth, inset 1 1/2" from front and back. Cabinet is divided by a vertical partition 18" from the front, and an open shelf storage area in the remaining 3" of a 24"D file, 6" of a 27"D file and 12" of a 33"D file.

File can be mounted to desk rails in the space "outside" a desk end leg inset 15", if the other end of a top is stabilized by being connected to Fence or a perpendicular desk. Suspended file cabinets should be mounted between table desk end legs for freestanding desk applications. Desk rails should be connected to a cantilevered top by YCBDE rail end to top supports.

Suspended file can be ordered with or without a lock in the drawer face and it includes hanger brackets.

Suspended wood files do not accept pencil trays.

Construction

Case is composed of 3/4" thick wood panels, with discreet glue-and-dowel connections

Specification Options

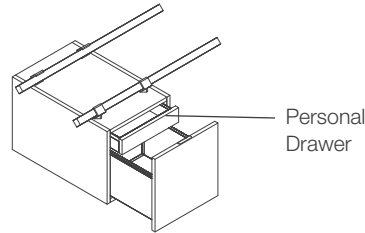
Specify laminate (L), "mixed" two-tone laminate or laminate case with veneer front (M) or veneer (V) case. Wood files are available either locking (L) or non-locking (N).

Case finish exterior is available in any Knoll Core laminate or veneer. When the case exterior is laminate, case interior and inset back are available in any Knoll Core or Accent laminate. When an Accent laminate is specified, the edgeband will match the exterior core laminate finish. When case exterior is specified laminate, specify drawer front finish in any Knoll Core laminate (L) or veneer (V).

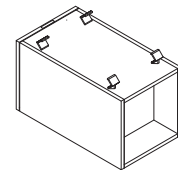
Specify pull type: Edge (E), Insert (I) or Loop (O). Edge pulls are available in any Knoll Core paint finish, Dark Red, Slate Blue or in Chrome (PD). Loop pulls are available in any Knoll Core paint finish, Dark Red or Slate Blue. Insert pulls are available in Chrome (PD).

Suspension brackets may be specified in any Knoll Core paint finish, Dark Red or Slate Blue.

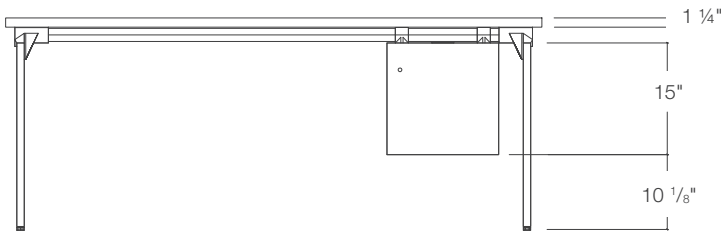
Case Sizes	Back
21"D for 24"D top	Flush back only
24"D for 27"D top	3"D shelf, binder height
27"D for 30"D top	6"D shelf, binder height
33"D for 36"D top	12"D shelf, binder height



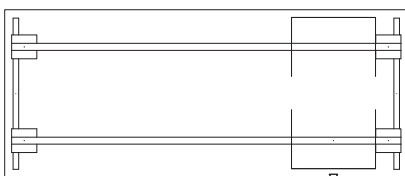
Suspended Wood File, Front View



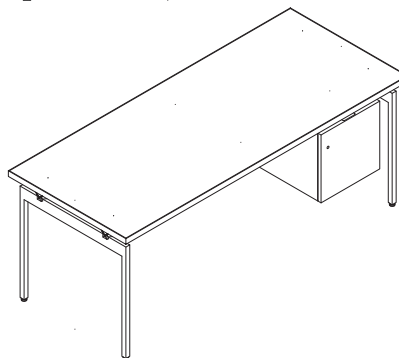
Suspended Wood File, Back View



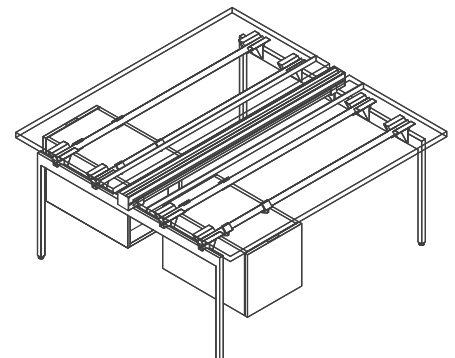
Desk with Suspended Wood File Front Elevation



Desk with Suspended Wood File Plan View



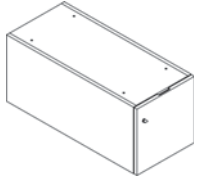
Desk with Suspended Wood File



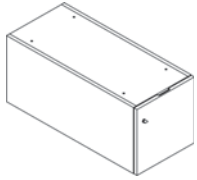
Big Table with Suspended Wood Files

Suspended Storage Laminate Wood File 15" Wide

description	type	w	d	h	pattern no.	All Same	Different	Different	Laminate	Laminate	Laminate
						Laminate (Core Lam.) (L)	Laminate Case/ Interior/Front (Core Lam.) (L)	Laminate Case/ Interior/Front (Accent Lam.) (L)			
Suspended Laminate Wood Files For Use With Desks	For 24" Deep Top	15"	21"	15"	YSSPF21()L	\$1,455.	n/a	n/a	\$1,601.	\$1,674.	\$1,746.
	For 27" Deep Top	15"	24"	15"	YSSPF24()L	1,512.	1,663.	1,964.	1,663.	1,739.	1,813.
	For 30" Deep Top	15"	27"	15"	YSSPF27()L	1,567.	1,723.	2,038.	1,723.	1,802.	1,881.
	For 36" Deep Top	15"	33"	15"	YSSPF33()L	1,624.	1,785.	2,110.	1,785.	1,867.	1,948.



Suspended Laminate Wood Files For Use With Big Tables	For 24" Deep Top	15"	21"	15"	YSSPF21()L	1,455.	n/a	n/a	1,601.	1,674.	1,746.
	For 27" Deep Top	15"	24"	15"	YSSPF24B()L	1,512.	1,663.	1,964.	1,663.	1,739.	1,813.
	For 30" Deep Top	15"	27"	15"	YSSPF27B()L	1,567.	1,723.	2,038.	1,723.	1,802.	1,881.
	For 36" Deep Top	15"	33"	15"	YSSPF33B()L	1,624.	1,785.	2,110.	1,785.	1,867.	1,948.



Ordering Information

Suspended Wood File

1. Pattern Number
2. Exterior Case Finish
3. Interior Case Finish (Laminate only)
4. Drawer Front Finish
5. Pull Type
6. Pull Finish
7. Bracket Paint Finish

Order Code

Suspended Wood File

Example: **YSSPF24LL, 118, 118, 118, E, 118T, 118T**

YSSPF	Suspended Wood File
24	Depth
L	Laminate
L	Lock
118	Bright White Laminate Exterior
118	Bright White Laminate Interior
118	Bright White Laminate Front
E	Edge Pull
118T	Bright White Painted Pull
118T	Bright White Painted Brackets

Included With

Suspended Wood File

Brackets
Hardware

Options

Suspended Wood File

Case and Front Finish Options:

(L) = All the same laminate or different laminates for the exterior case, interior case and/or drawer front
(M) = Laminate case with a veneer front

Drawer Front Pull Options:

(E) = Edge Pull
(I) = Insert Pull
(O) = Loop Pull

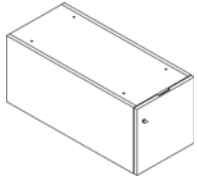
See planning guide page for drawer pull finish options.

Lock Options:

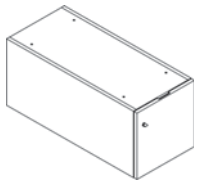
To specify a suspended wood file cabinet without a lock, replace the "L" suffix in the pattern number with an "N".

Suspended Storage
Veneer Wood File
15" Wide

description	type	w	d	h	pattern no.	All V1	All V2	All V3
Suspended Veneer Wood Files For Use With Desks	For 24" Deep Top	15"	21"	15"	YSSPF21VL	\$2,183.	\$2,511.	\$3,262.
	For 27" Deep Top	15"	24"	15"	YSSPF24VL	2,267.	2,607.	3,389.
	For 30" Deep Top	15"	27"	15"	YSSPF27VL	2,350.	2,702.	3,515.
	For 36" Deep Top	15"	33"	15"	YSSPF33VL	2,378.	2,736.	3,556.



Suspended Veneer Wood Files For Use With Big Tables	For 24" Deep Top	15"	21"	15"	YSSPF21BVL	2,183.	2,511.	3,262.
	For 27" Deep Top	15"	24"	15"	YSSPF24BVL	2,267.	2,607.	3,389.
	For 30" Deep Top	15"	27"	15"	YSSPF27BVL	2,350.	2,702.	3,515.
	For 36" Deep Top	15"	33"	15"	YSSPF33BVL	2,378.	2,736.	3,556.



Ordering Information

Suspended Wood File

1. Pattern Number
2. Case and Drawer Front Finish
3. Pull Type
4. Pull Finish
5. Bracket Paint Finish

Order Code

Suspended Wood File

Example: **YSSPF24VL, Y316, E, 118T, 118T**

YSSPF	Suspended Wood File
24	Depth
V	Veneer
L	Lock
Y316	Maple Veneer
E	Edge Pull
118T	Bright White Painted Pull
118T	Bright White Painted Brackets

Included With

Suspended Wood File
 Brackets
 Hardware

Options

Suspended Wood File

Drawer Front Pull Options:

(E) = Edge Pull
 (I) = Insert Pull
 (O) = Loop Pull

See planning guide page for drawer pull finish options.

Lock Options:

To specify a suspended wood file cabinet without a lock, replace the "L" suffix in the pattern number with an "N".

Suspended Storage

Wood Open Cabinets

Planning Guidelines and Specifications

Suspended Open Cabinets

Suspended open cabinets offer personal storage shelves accessible from front, back or end of desks or big tables. Front access cabinets may be specified with 18", 24", 27", 30" or 36"D desk or big table tops. Side access cabinets attach to the end of 24", 27" or 30"D desk or big tables.

Suspended open cabinets are wood construction and suspended from desk or big table top rails at any point. Suspended wood cabinets can be specified in all laminate or veneer or mixed surface laminate: all "Interior" surfaces of laminate open storage areas can be specified in a contrasting core or accent laminate.

Front access cabinets are sized 15"H and 15"W and must be specified in case depths 3" less than the top depth, inset 1 1/2" from front and back.

Cabinet with front and back access is divided by a centered vertical partition, creating a 13 1/2"H binder height shelf on the "back" and a horizontal partition dividing the "front" section. Cabinet can be installed in either orientation. Case 15"D has flush back panel in "exterior" surface on back. Partitions for 21" and deeper open cabinets are considered "interior" surface on both faces.

Cabinet with side access provides full surround, 13 1/2"H x 14"D shelf corresponding to depth of desk or big table top. Front and back panels are 15"x15" fixed panels, case "width" is 21", 24" or 27"D.

Suspended cabinets should be mounted between freestanding desk end legs. Cabinets can be mounted to desk rails in the space "outside" a desk end leg inset 15", if the other end of a top is stabilized by being

connected to a Fence or perpendicular desk. Cabinets include hanger brackets.

Construction

Case is composed of 3/4" thick wood panels, with discreet glue-and-dowel connections.

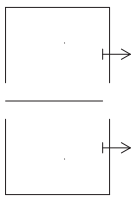
Specification Options

Specify laminate (L), "mixed" two-tone laminate (M) or veneer (V) case.

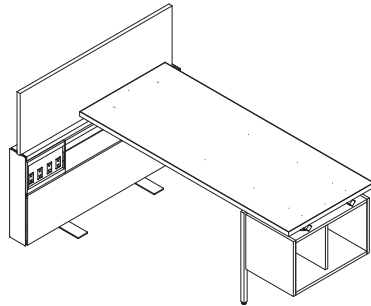
Case finish exterior is available in any Knoll Core laminate or veneer. When the case exterior is laminate, case interior and inset back are available in any Knoll Core or Accent laminate. When an Accent laminate is specified, the edgeband will match the exterior core laminate finish.

Suspension brackets may be specified in any Knoll Core paint finish, Dark Red or Slate Blue.

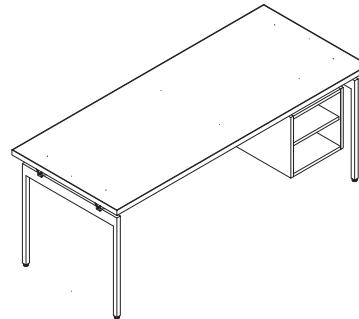
Case Sizes	Front	Back	Side Access Shelf
15"D for 18"D top	14"D shelf	no shelf	not available
21"D for 24"D top	10"D shelf, divided	10"D shelf, binder height	14"D shelf
24"D for 27"D top	11 1/2"D shelf, divided	11 1/2"D shelf, binder height	14"D shelf
27"D for 30"D top	13"D shelf, divided	13"D shelf, binder height	14"D shelf
33"D for 36"D top	16"D shelf, divided	16"D shelf, binder height	N/A



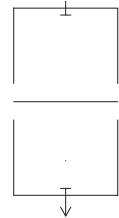
Suspended Side Access Open Cabinet



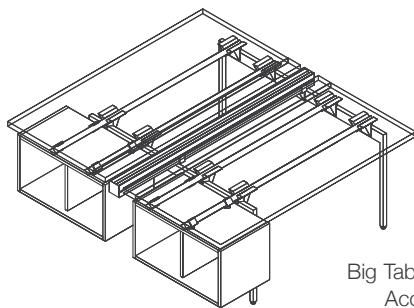
Fence Supported Desk with Suspended Side Access Open Cabinet



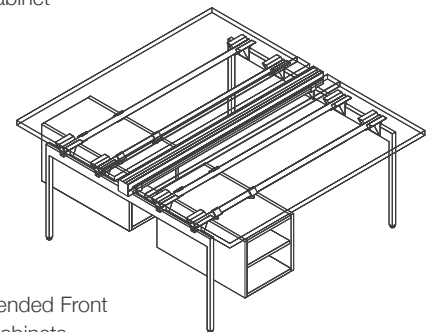
Desk with Suspended Front Access Open Cabinet



Suspended Open Front Access Cabinet



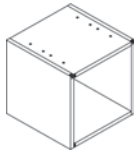
Big Table with Suspended Side Access Open Cabinets



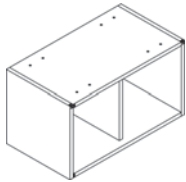
Big Table with Suspended Front Access Open Cabinets

Suspended Storage Laminate Open Cabinets 15" Wide

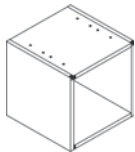
description	type	w	d	h	pattern no.	All Same Laminates (Core Lam.)	Different Laminate	Different Laminate
							Case/Interior (Core Lam.)	Case/Interior (Accent Lam.)
Suspended Laminate Open Cabinets with Front and Back Access For Use With Desks	For 18" Deep Top	15"	15"	15"	YSSOF15L	\$1,007.	\$1,108.	\$1,309.
	For 24" Deep Top	15"	21"	15"	YSSOF21L	1,120.	1,232.	1,455.
	For 27" Deep Top	15"	24"	15"	YSSOF24L	1,176.	1,294.	1,528.
	For 30" Deep Top	15"	27"	15"	YSSOF27L	1,232.	1,354.	1,601.
	For 36" Deep Top	15"	33"	15"	YSSOF33L	1,343.	1,478.	1,746.



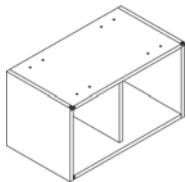
Suspended Laminate Open Cabinets with Side Access For Use With Desks	For 24" Deep Top	15"	21"	15"	YSSOS21L	1,120.	1,232.	1,455.
	For 27" Deep Top	15"	24"	15"	YSSOS24L	1,176.	1,294.	1,528.
	For 30" Deep Top	15"	27"	15"	YSSOS27L	1,232.	1,354.	1,601.
	For 36" Deep Top	15"	33"	15"	YSSOS33L	1,343.	1,478.	1,746.



Suspended Laminate Open Cabinets with Front and Back Access For Use With Big Tables	For 18" Deep Top	15"	15"	15"	YSSOF15L	1,007.	1,108.	1,309.
	For 24" Deep Top	15"	21"	15"	YSSOF21L	1,120.	1,232.	1,455.
	For 27" Deep Top	15"	24"	15"	YSSOF24BL	1,176.	1,294.	1,528.
	For 30" Deep Top	15"	27"	15"	YSSOF27BL	1,232.	1,354.	1,601.
	For 36" Deep Top	15"	33"	15"	YSSOF33BL	1,343.	1,478.	1,746.



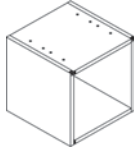
Suspended Laminate Open Cabinets with Side Access For Use With Big Tables	For 24" Deep Top	15"	21"	15"	YSSOS21L	1,120.	1,232.	1,455.
	For 27" Deep Top	15"	24"	15"	YSSOS24BL	1,176.	1,294.	1,528.
	For 30" Deep Top	15"	27"	15"	YSSOS27BL	1,232.	1,354.	1,601.
	For 36" Deep Top	15"	33"	15"	YSSOS33BL	1,343.	1,478.	1,746.



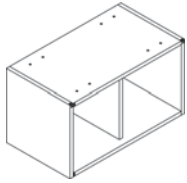
Ordering Information	Order Code	Included With	Options
Suspended Open Cabinet	Suspended Open Cabinet	Suspended Open Cabinet	Suspended Open Cabinet
1. Pattern Number	<i>Example:</i> YSSOF24L, 118, 118, 118T	Brackets	
2. Exterior Case Finish	YSSOF Suspended Open Cabinet	Hardware	
3. Interior Case Finish (Laminate only)	L Laminate Case		
4. Bracket Paint Finish	118 Bright White Exterior		
	118 Bright White Interior		
	118T Bright White Brackets		

Suspended Storage Veneer Open Cabinets 15" Wide

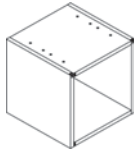
description	type	w	d	h	pattern no.	All V1	All V2	All V3
Suspended Veneer Open Cabinets with Front and Back Access For Use With Desks	For 18" Deep Top	15"	15"	15"	YSSOF15V	\$1,363.	\$1,567.	\$2,038.
	For 24" Deep Top	15"	21"	15"	YSSOF21V	1,558.	1,791.	2,328.
	For 27" Deep Top	15"	24"	15"	YSSOF24V	1,606.	1,847.	2,400.
	For 30" Deep Top	15"	27"	15"	YSSOF27V	1,654.	1,903.	2,474.
	For 36" Deep Top	15"	33"	15"	YSSOF33V	1,752.	2,015.	2,620.



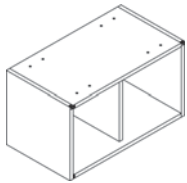
Suspended Veneer Open Cabinets with Side Access For Use With Desks	For 24" Deep Top	15"	21"	15"	YSSOS21V	1,558.	1,791.	2,328.
	For 27" Deep Top	15"	24"	15"	YSSOS24V	1,606.	1,847.	2,400.
	For 30" Deep Top	15"	27"	15"	YSSOS27V	1,654.	1,903.	2,474.
	For 36" Deep Top	15"	33"	15"	YSSOS33V	1,343.	1,478.	1,746.



Suspended Veneer Open Cabinets with Front and Back Access For Use With Big Tables	For 18" Deep Top	15"	15"	15"	YSSOF15V	1,363.	1,567.	2,038.
	For 24" Deep Top	15"	21"	15"	YSSOF21V	1,558.	1,791.	2,328.
	For 27" Deep Top	15"	24"	15"	YSSOF24BV	1,606.	1,847.	2,400.
	For 30" Deep Top	15"	27"	15"	YSSOF27BV	1,654.	1,903.	2,474.
	For 36" Deep Top	15"	33"	15"	YSSOF33BV	1,752.	2,015.	2,620.



Suspended Veneer Open Cabinets with Side Access For Use With Big Tables	For 24" Deep Top	15"	21"	15"	YSSOS21V	1,558.	1,791.	2,328.
	For 27" Deep Top	15"	24"	15"	YSSOS24BV	1,606.	1,847.	2,400.
	For 30" Deep Top	15"	27"	15"	YSSOS27BV	1,654.	1,903.	2,474.
	For 36" Deep Top	15"	33"	15"	YSSOS33BV	1,343.	1,478.	1,746.



Ordering Information	Order Code	Included With	Options
Suspended Open Cabinet	Suspended Open Cabinet	Suspended Open Cabinet	Suspended Open Cabinet
1. Pattern Number	<i>Example:</i> YSSOF24V, Y316, 118T	Brackets	
2. Exterior Case Finish	YSSOF Suspended Open Cabinet	Hardware	
3. Bracket Paint Finish	V Veneer Case		
	Y316 Maple Exterior		
	118T Bright White Painted Brackets		

Extension Cabinets

For Desks

Planning Guidelines and Specifications

Above Desk Extension Cabinets

Above desk extension cabinet is wood construction, open binder storage that provides some seated privacy at a horizon of 42" on standard height desk. Bottom of cabinet aligns with end of adjacent desk top. Back of cabinet is inset 1/2" to provide niche for optional fabric insert.

Cabinets can be specified in all laminate or veneer or mixed surface laminate: all "Interior" surfaces of laminate open storage areas can be specified in a contrasting core or "pop" laminate. Inset back is considered an interior surface on both faces.

Cabinets are sized 15"H and 15"D and must be specified in case widths to match top depth: 18", 24", 27", 30" or 36". Interior binder storage height is 13".

Desk extension cabinets mount to desk rails specified 12" longer than top normally requires. Specify YSDXUP or YBCDE rail to extension brackets separately and accordingly.

Above desk extension cabinets can not be installed in the same location as a below desk extension cabinet.

Construction

Case is composed of 1 3/16" thick bottom (to match desk top) and 3/4" thick sides, back and top panels, with discreet glue-and-dowel connections. 36" wide cabinet has center vertical partition.

Veneer grain direction is horizontal on back, vertical on sides.

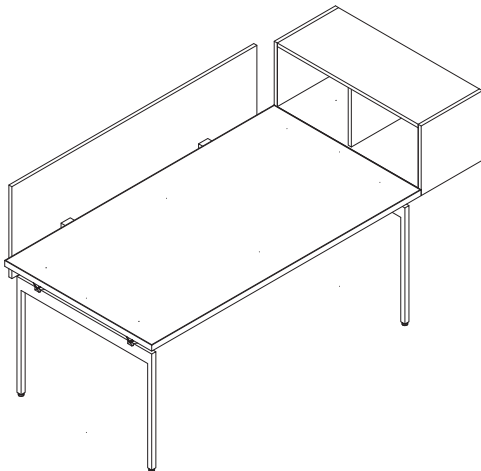
Laminate cabinet matches interior finish on both faces.

Specification Options

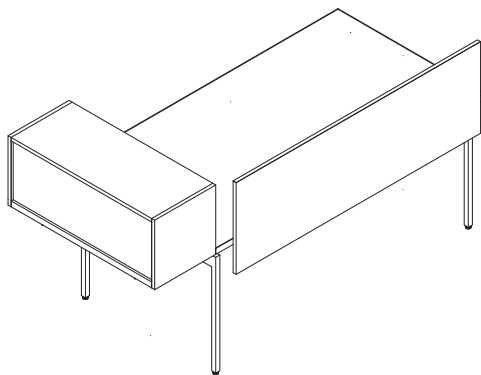
Specify laminate (L), "mixed" two-tone laminate (M) or veneer (V) case.

Case finish exterior is available in any Knoll Core laminate or veneer. When the case exterior is laminate, case interior and inset back are available in any Knoll Core or Accent laminate. When an Accent laminate is specified, the edgeband will match the exterior core laminate finish.

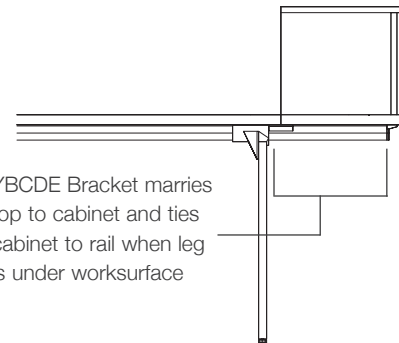
Specify mounting brackets separately.



Above Desk Extension Cabinet Front

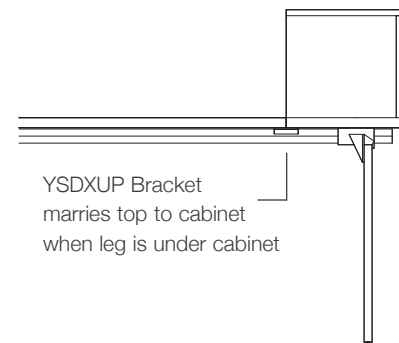


Above Desk Extension Cabinet Back



YBCDE Bracket marries top to cabinet and ties cabinet to rail when leg is under worksurface

Above Desk Extension Cabinet Elevation, Leg Under Worksurface



YSDXUP Bracket marries top to cabinet when leg is under cabinet

Above Desk Extension Cabinet Elevation, Leg Under Cabinet

Extension Cabinets

For Desks

Planning Guidelines and Specifications

Below Desk Extension Cabinets

Below desk extension cabinet is wood construction, open binder storage that aligns with and provides some enclosure below the end of desk or return. Back of cabinet is open 2" below the top of the cabinet to permit desk support rails to extend inside. Binder opening faces away from the kneespace.

Cabinets can be specified in all laminate or veneer or mixed surface laminate: all "Interior" surfaces of laminate open storage areas can be specified in a contrasting core or "pop" laminate. Outside of flush back is considered an exterior surface.

Cabinets are sized 15 1/2"H and 15"D and must be specified in case widths to match top depth: 24", 27", 30" or 36". Interior binder storage height below rails is 13".

Desk extension cabinets mount to desk rails specified 12" longer than top normally requires. Specify YBCDE rails to extension brackets separately.

Above desk extension cabinets can not be installed in the same location as a below desk extension cabinet.

Construction

Case is composed of 1 3/16" thick top (to match desk top) and 3/4" thick sides, back and bottom panels, with discreet glue-and-dowel connections. 36" wide cabinet has center vertical partition.

Veneer grain direction is horizontal on back, vertical on sides.

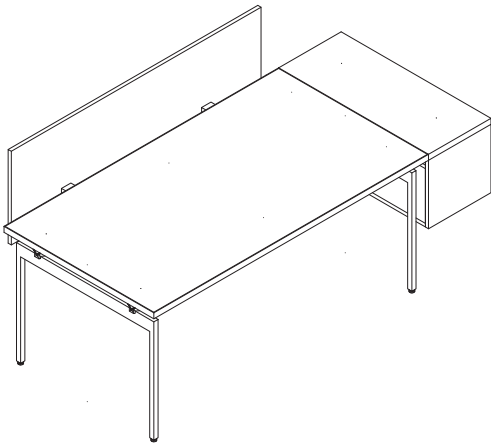
Laminate cabinet back matches exterior finish.

Specification Options

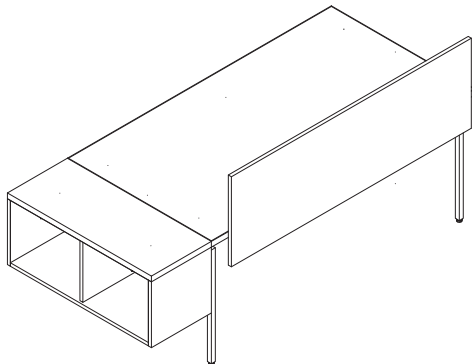
Specify laminate (L), "mixed" two-tone laminate (M) or veneer (V) case.

Case finish exterior is available in any Knoll Core laminate or veneer. When the case exterior is laminate, case interior is available in any Knoll Core or Accent laminate. When an Accent laminate is specified, the edgeband will match the exterior core laminate finish.

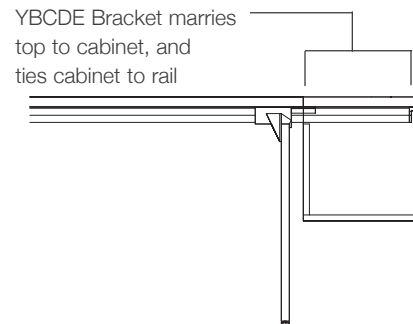
Specify mounting brackets separately.



Below Desk Extension Cabinet Front



Below Desk Extension Cabinet Back

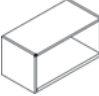
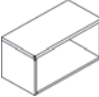




Below Desk Extension Cabinet Elevation

Extension Cabinets

For Desks

Above and Below Tops

description	type	width	depth	height	pattern number	list	All Same	Different	Different	All V1	All V2	All V3
							Laminate (Core Lam.) (L)	Laminate Case/ Interior (Core Lam.) (L)	Laminate Case/ Interior (Accent Lam.) (L)			
Above Desk Extension Cabinets 	For 18" Deep Top	15"	18"	14 ³ / ₄ "	YSDXOS1815()	\$0.	\$1,064.	\$1,170.	\$1,383.	\$1,459.	\$1,679.	\$2,183.
	For 24" Deep Top	15"	24"	14 ³ / ₄ "	YSDXOS2415()	0.	1,120.	1,232.	1,455.	1,558.	1,791.	2,328.
	For 27" Deep Top	15"	27"	14 ³ / ₄ "	YSDXOS2715()	0.	1,176.	1,294.	1,528.	1,606.	1,847.	2,396.
	For 30" Deep Top	15"	30"	14 ³ / ₄ "	YSDXOS3015()	0.	1,232.	1,354.	1,601.	1,654.	1,903.	2,474.
	For 36" Deep Top	15"	36"	14 ³ / ₄ "	YSDXOS3615()	0.	1,343.	1,416.	1,674.	1,752.	2,015.	2,620.
Below Desk Extension Cabinets 	For 24" Deep Top	15"	24"	14 ³ / ₄ "	YSDXSS2415()	0.	1,120.	1,232.	1,455.	1,558.	1,791.	2,328.
	For 27" Deep Top	15"	27"	14 ³ / ₄ "	YSDXSS2715()	0.	1,176.	1,294.	1,528.	1,606.	1,847.	2,396.
	For 30" Deep Top	15"	30"	14 ³ / ₄ "	YSDXSS3015()	0.	1,232.	1,354.	1,601.	1,654.	1,903.	2,474.
	For 36" Deep Top	15"	36"	14 ³ / ₄ "	YSDXSS3615()	0.	1,343.	1,478.	1,746.	1,752.	2,015.	2,620.
Connector Kit for Above Desk Extension Cabinets 	2 Brackets				YSDXUP	28.	0.	0.	0.	0.	0.	0.
Connector Kit for Above or Below Desk Extension Cabinets 	2 Brackets				YBCDE	45.	0.	0.	0.	0.	0.	0.

Ordering Information

Extension Cabinets

1. Pattern Number
2. Exterior Case Finish
3. Interior Case Finish (Laminate only)

Mounting Brackets

1. Pattern Number
2. Paint Finish

Order Code

Extension Cabinets

Example: **YSDXSS2415L, 118, 118**

YSDXSS Below Desk Extension Cabinets

24 Depth

15 Width

L Laminate

118 Bright White Laminate

118 Bright White Laminate

Mounting Brackets

Example: **YBCDE, 118T**

YBCDE Mounting Brackets

118T Bright White Paint

Included With

Extension Cabinets

Specify extension cabinet mounting brackets separately.

Specify rails 12" longer than required top when specifying extension cabinets.

Mounting Brackets

Hardware

Options

Extension Cabinets

Case Finish Options:

(L) = All the same or different laminates for the exterior and interior case

(V) = All the same veneer for the exterior and interior case

Extension Cabinets

For Dual Sided Big Tables

Planning Guidelines and Specifications

Above Desk Extension Cabinets for Big Table

Above desk extension cabinet is wood construction, open binder storage that provides some seated privacy at a horizon of 42" on standard height big table. Bottom of cabinet aligns with ends of adjacent desk tops. Back of cabinet is inset $\frac{1}{2}$ " to provide niche for optional fabric insert.

Cabinets can be specified in all laminate or veneer or mixed surface laminate: all "Interior" surfaces of laminate open storage areas can be specified in a contrasting core or "pop" laminate. Inset back is considered an interior surface on both faces.

Cabinets are sized 15"H and 15"D and must be specified in case widths to match overall big table depth with center beam:

- 53 $\frac{1}{2}$ " case for dual 24" big table
- 59 $\frac{1}{2}$ " case for dual 27" big table
- 65 $\frac{1}{2}$ " case for dual 30" big table
- 77 $\frac{1}{2}$ " case for dual 36" big table

All cabinets have a center partition recessed $\frac{1}{2}$ " from front edge. 77 $\frac{1}{2}$ " deep cabinets for 36" deep big tables have two center partitions. Interior binder storage height is 13".

Big table extension cabinets mount to desk rails specified 12" longer than tops normally require. Specify YBTE rails to extension brackets separately.

Above desk extension cabinets for big table can not be installed in the same location as a below desk extension cabinet for big table.

Construction

Case is composed of 1 $\frac{3}{16}$ " thick bottom (to match desk top) and $\frac{3}{4}$ " thick sides, back and top panels, with discreet glue-and-dowel connections. 36" wide cabinet has center vertical partition.

Veneer grain direction is horizontal on back, vertical on sides.

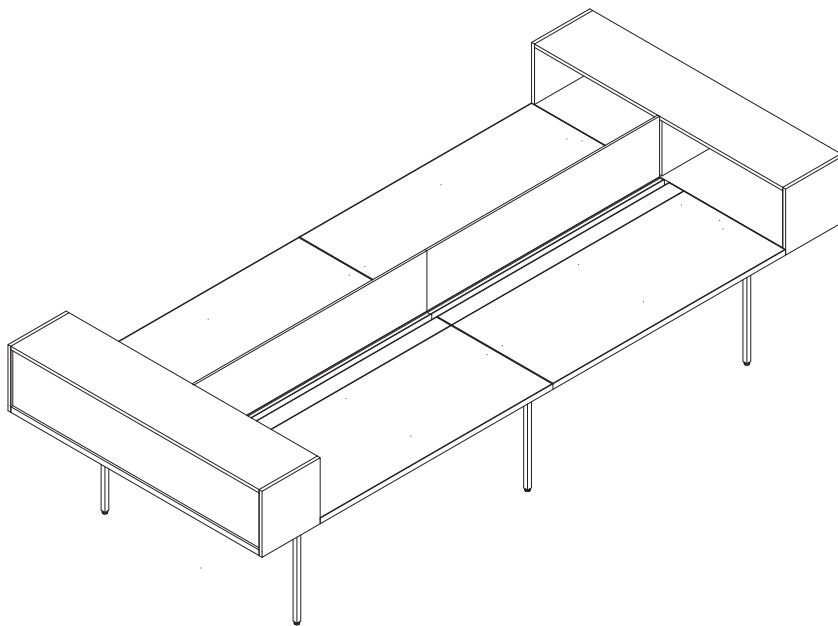
Laminate cabinet matches interior finish on both faces.

Specification Options

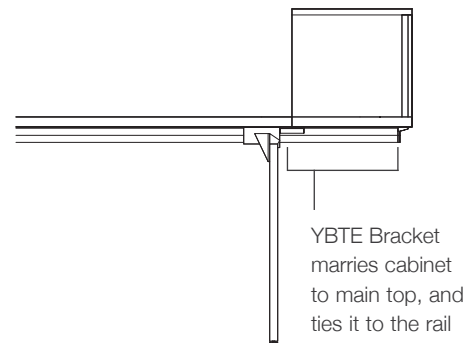
Specify laminate (L), "mixed" two-tone laminate or laminate case with veneer front (M) or veneer (V) case.

Case finish exterior is available in any Knoll Core laminate or veneer. When the case exterior is laminate, case interior and inset back are available in any Knoll Core or Accent laminate. When an Accent laminate is specified, the edgeband will match the exterior core laminate finish.

Specify mounting brackets separately.



Above Desk Extension Cabinets for Big Table



Above Desk Extension Cabinet for Big Table Elevation

*End Leg must stay under the Center Beam and can not be moved out to be placed under the extension top or cabinet

Extension Cabinets

For Dual Sided Big Tables

Planning Guidelines and Specifications

Below Desk Extension Cabinets for Big Table

Below desk extension cabinet for big table is wood construction, open binder storage that aligns with and provides some enclosure below the end of dual big table. Back of cabinet is open 2" below the top of the cabinet to permit desk support rails to extend inside. Binder opening faces away from the kneespace.

Cabinets can be specified in all laminate or veneer or mixed surface laminate: all "Interior" surfaces of laminate open storage areas can be specified in a contrasting core or "pop" laminate. Outside of flush back is considered an exterior surface.

Cabinets are sized 15 1/2"H and 15"D and must be specified in case widths to match overall big table depth with center beam:

- 53 1/2" case for dual 24" big table
- 59 1/2" case for dual 27" big table
- 65 1/2" case for dual 30" big table
- 77 1/2" case for dual 36" big table

All cabinets have a center partition recessed 1/2" from front edge. 77 1/2" deep cabinets for 36" deep big tables have two center partitions. Interior binder storage height is 13".

Desk extension cabinets mount to desk rails specified 12" longer than top normally requires. Specify YBTE rails to extension brackets separately.

Above desk extension cabinets for big table can not be installed in the same location as a below desk extension cabinet for big table.

Construction

Case is composed of 1 3/16" thick top (to match desk top) and 3/4" thick sides, back and bottom panels, with discreet glue-and-dowel connections. 36" wide cabinet has center vertical partition.

Veneer grain direction is horizontal on back, vertical on sides.

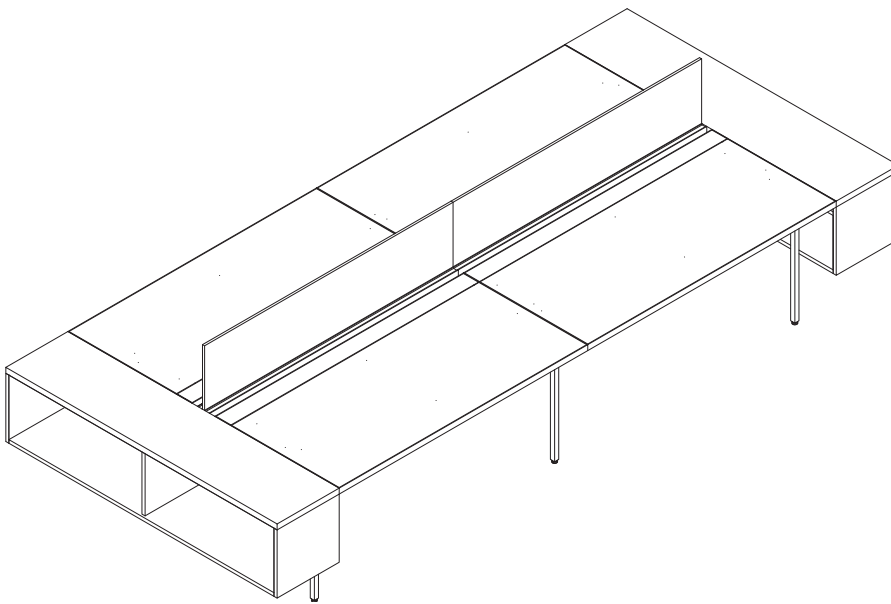
Laminate cabinet back matches exterior finish.

Specification Options

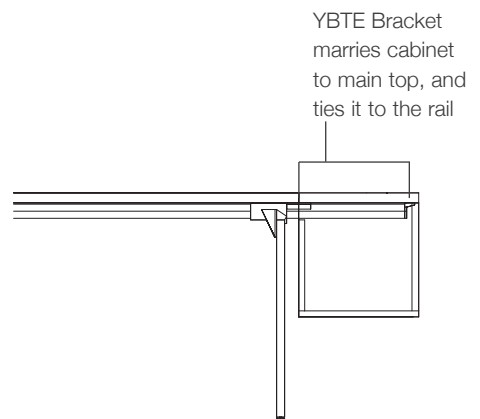
Specify laminate (L), "mixed" two-tone laminate (M) or veneer (V) case.

Case finish exterior is available in any Knoll Core laminate or veneer. When the case exterior is laminate, case interior is available in any Knoll Core or Accent laminate. When an Accent laminate is specified, the edgeband will match the exterior core laminate finish.

Specify mounting brackets separately.



Below Desk Extension Cabinets for Big Table



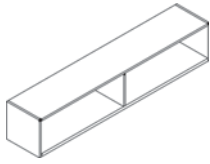
Below Desk Extension Cabinet for Big Table Elevation

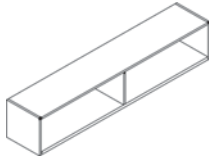
*End Leg must stay under the Center Beam and can not be moved out to be placed under the extension top or cabinet

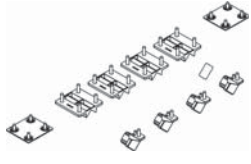
Extension Cabinets

For Dual Sided Big Tables

Above and Below Tops

description	type	w	d	h	pattern no.	Paint	All Same	Different	Different	All V1	All V2	All V3
							Laminate (Core Lam.) (L)	Laminate Case/ Interior (Core Lam.) (L)	Laminate Case/ Interior (Accent Lam.) (L)			
Above Big Table Extension Cabinets 	For 24" D Big Table	15"	53 1/2"	15"	YSDXOS5315()	n/a	\$1,679.	\$1,847.	\$2,183.	\$2,191.	\$2,519.	\$3,275.
	For 27" D Big Table	15"	59 1/2"	15"	YSDXOS5915()	n/a	1,791.	1,971.	2,328.	2,337.	2,687.	3,493.
	For 30" D Big Table	15"	65 1/2"	15"	YSDXOS6515()	n/a	1,903.	2,093.	2,474.	2,433.	2,799.	3,638.
	For 36" D Big Table	15"	77 1/2"	15"	YSDXOS7715()	n/a	2,071.	2,216.	2,620.	2,725.	3,134.	4,074.

Below Big Table Extension Cabinets 	For 24" D Big Table	15"	53 1/2"	15"	YSDXSS5315()	n/a	1,679.	1,847.	2,183.	2,191.	2,519.	3,275.
	For 27" D Big Table	15"	59 1/2"	15"	YSDXSS5915()	n/a	1,791.	1,971.	2,328.	2,337.	2,687.	3,493.
	For 30" D Big Table	15"	65 1/2"	15"	YSDXSS6515()	n/a	1,903.	2,093.	2,474.	2,433.	2,799.	3,638.
	For 36" D Big Table	15"	77 1/2"	15"	YSDXSS7715()	n/a	2,071.	2,278.	2,692.	2,725.	3,134.	4,074.

Connector Kit for Above and Below Big Table Extension Cabinets 	4 Brackets				YBTE	101.	n/a	n/a	n/a	n/a	n/a	n/a
--	------------	--	--	--	-------------	------	-----	-----	-----	-----	-----	-----

Ordering Information

Extension Cabinets

1. Pattern Number
2. Exterior Case Finish
3. Interior Case Finish (Laminate only)

Mounting Brackets

1. Pattern Number
2. Paint Finish

Order Code

Extension Cabinets

Example: **YSDXSS5915L, 118, 118**

YSDXSS Below Desk Extension Cabinets

59 Depth

15 Width

L Laminate

118 Bright White Laminate

118 Bright White Laminate

Mounting Brackets

Example: **YBTE, 118T**

YBTE Mounting Brackets

118T Bright White Paint

Included With

Extension Cabinets

Specify extension cabinet mounting brackets separately.

Specify rails 12" longer than required top when specifying extension cabinets.

Mounting Brackets

Hardware

Options

Extension Cabinets

Case Finish Options:

(L) = All the same or different laminates for the exterior and interior case

(V) = All the same veneer for the exterior and interior case

Extension Cabinets

Fabric Inserts

Planning Guidelines and Specifications

Fabric Inserts for Above Desk or Big Table Extension Cabinets

Fabric back insert is tackable fabric panel, nominal ½" thick, that fits in the recess behind the back of above desk and big table extension cabinets. Fabric back inserts are 1 ½" less wide and 2" less high than cabinet to fit between sides, top and bottom.

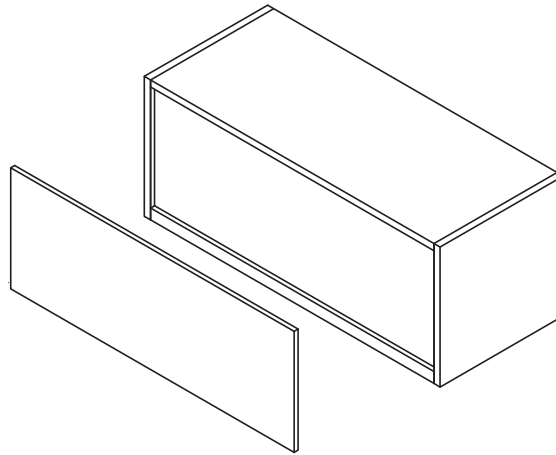
Fabric back insert is not applicable in below desk extension cabinets.

Construction

Fabric back insert is ½" tackable tile with fabric applied on exterior surface and edges. Fabric inserts are installed using double-sided adhesive tape, which is included. Two fabric inserts are included for big table extension cabinet applications.

Specification Options

Fabric inserts may be specified in any Antenna approved textile. For Customers Own Material (COM) applications, see yardage chart in front of Price List.

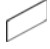



Fabric Inserts are Installed in the Back of Above Desk or Big Table Extension Cabinets

Extension Cabinets

Fabric Inserts

For Desk and Big Table Cabinets

description	type	w	d	h	pattern no.	grade				
						10	20	30	40	45
 Fabric Inserts for Above Desk Extension Cabinets	For 18" Deep Top	1/2"	16 1/2"	13"	YSDXFB18	\$169.	\$175.	\$181.	\$188.	\$195.
	For 24" Deep Top	1/2"	22 1/2"	13"	YSDXFB24	169.	175.	181.	188.	195.
	For 27" Deep Top	1/2"	25 1/2"	13"	YSDXFB27	169.	175.	181.	188.	195.
	For 30" Deep Top	1/2"	28 1/2"	13"	YSDXFB30	169.	175.	181.	188.	195.
	For 36" Deep Top	1/2"	34 1/2"	13"	YSDXFB36	179.	186.	194.	200.	209.
 Fabric Inserts for Above Big Table Extension Cabinets	For 24" Deep Dual Big Table	1/2"	52"	13"	YSDXFB53	213.	221.	230.	238.	246.
	For 27" Deep Dual Big Table	1/2"	28"	13"	YSDXFB59	213.	221.	230.	238.	246.
	For 30" Deep Dual Big Table	1/2"	64"	13"	YSDXFB65	235.	244.	255.	263.	273.
	For 36" Deep Dual Big Table	1/2"	76"	13"	YSDXFB77	235.	244.	255.	263.	273.

Ordering Information

- Fabric Inserts**
 1. Pattern Number
 2. Fabric Finish

Order Code

Extension Cabinets
Example: **YSDXFB30, W351**
YSDXFB Fabric Insert
30 Width
W351 Foundation

Included With

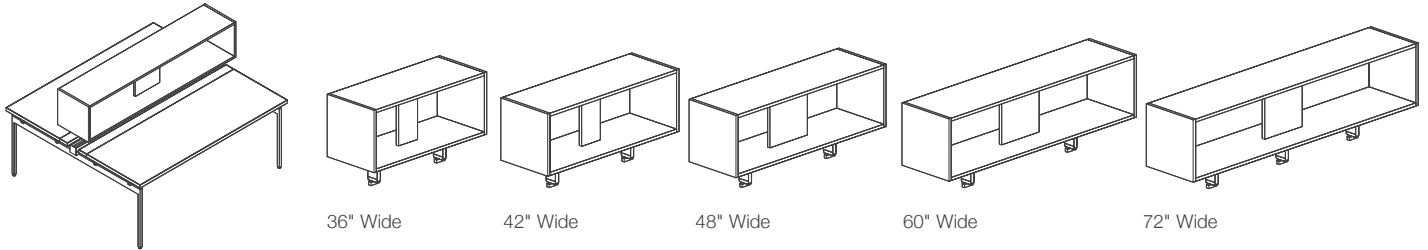
Fabric Inserts

Options

Fabric Inserts

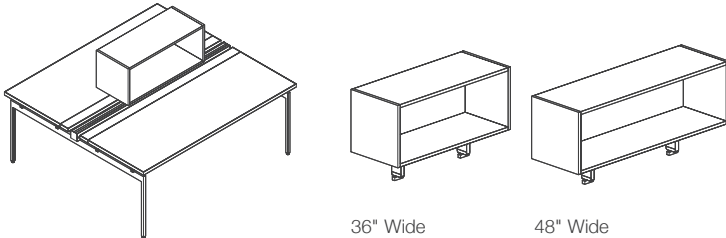
Wood Storage

Open Front and Back Cabinets



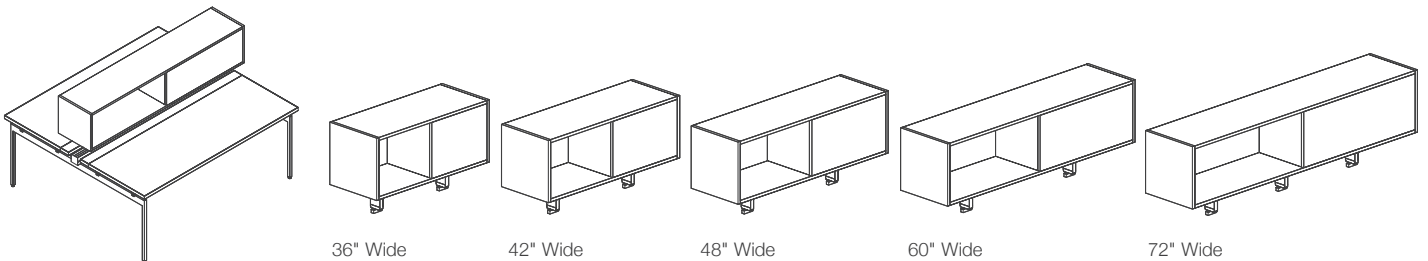
Dual Big Table with Stanchion Mounted
Open Front and Back Cabinet

Open Front and Enclosed Back Cabinets



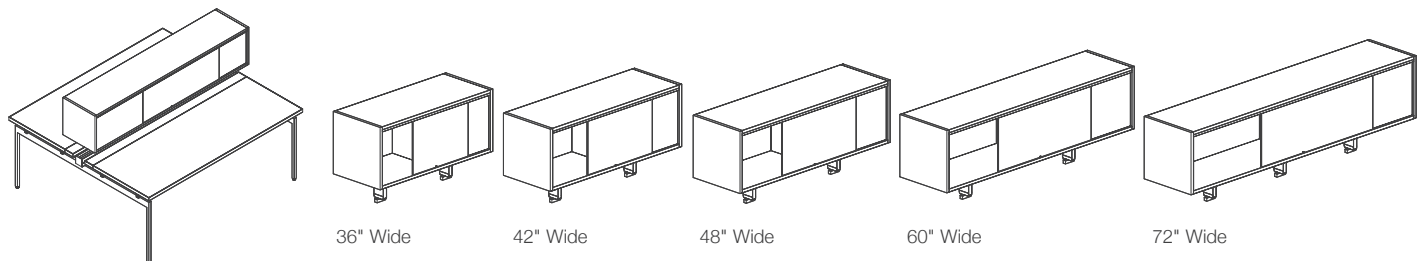
Dual Big Table with Stanchion Mounted
Open Front and Enclosed Back Cabinet

Shared Open Front and Enclosed Back Cabinets



Dual Big Table with Stanchion Mounted Shared
Open Front and Enclosed Back Cabinet

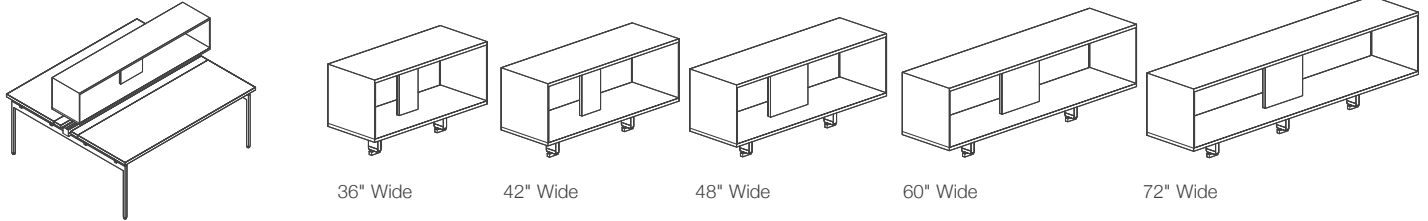
Shared Sliding Door Cabinets



Dual Big Table with Stanchion Mounted
Shared Sliding Door Cabinet

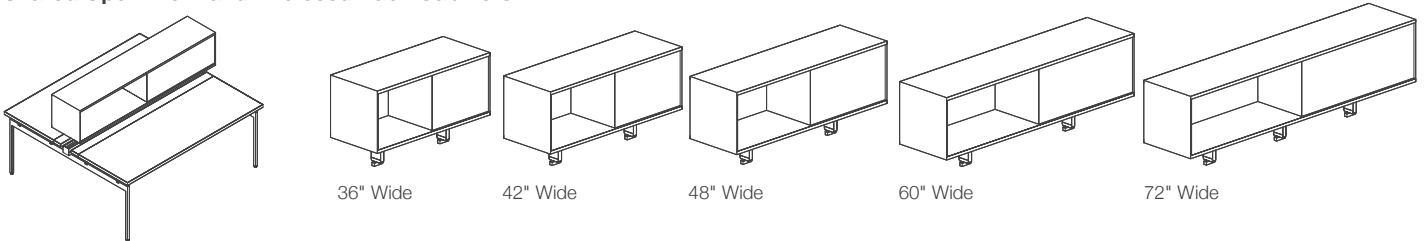
Metal Storage

Open Front and Back Cabinets



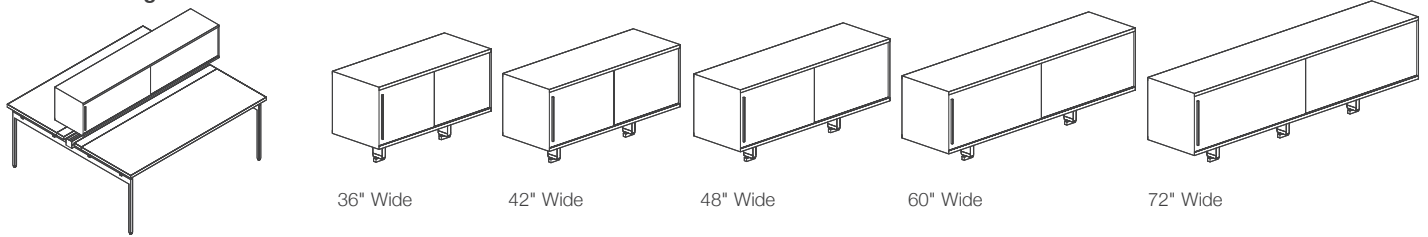
Dual Big Table with Stanchion Mounted Open Front and Back Cabinet

Shared Open Front and Enclosed Back Cabinets



Dual Big Table with Stanchion Mounted Shared Open Front and Enclosed Back Cabinet

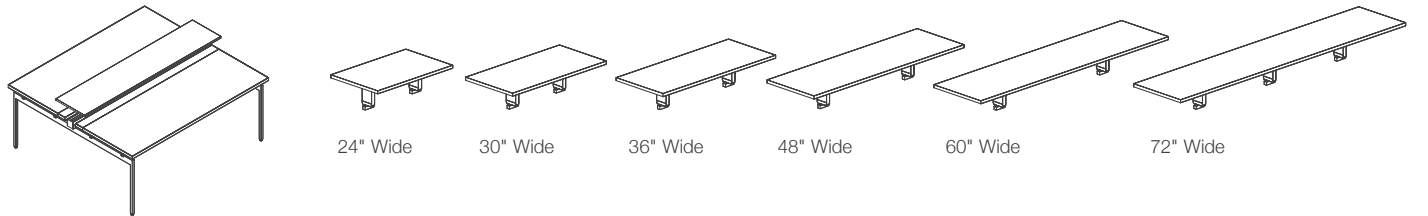
Shared Sliding Door Cabinets



Dual Big Table with Stanchion Mounted Shared Sliding Door Cabinet

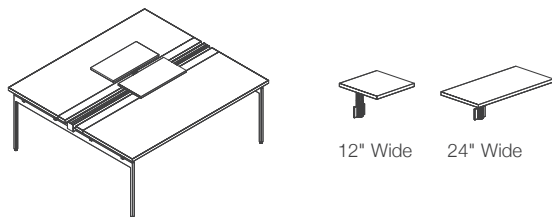
Shelves

Platform Shelves



Dual Big Table with Platform Shelf

Cantilever Shelves



Dual Big Table with Cantilever Shelves

Stanchion Mounted Wood Storage For Big Table and Fence Planning Guidelines and Specifications

Stanchion Mounted Open Wood Cabinets

Stanchion mounted open wood cabinets provide binder storage within easy reach from a seated position. Cabinets are available in two configurations: open front with enclosed back, for one-sided use, and open both front and back for shared use.

Cabinets mount on big table center beam or on Fence, with storage stanchion supports, specified separately.

Open front and back cabinets are available in 36", 48", 60" and 72" widths. A center panel parallel to the open front and back provides structural support, and serves to filter sightlines through the cabinet.

6" wide center panel, cabinets 42" and wider have a 12" wide center panel. Support panel and all interior surfaces can be specified in a different laminate than exterior surfaces.

Enclosed back cabinets are available in 36" and 48" widths. Enclosed back cabinet has a full back, recessed 1/2" for optional fabric insert, specified separately.

Both sides of recessed back are considered interior surfaces, if specifying two-tone laminate finishes.

All stanchion mounted cabinets are 15"H x 15"D, with 13 1/2" clear interior height for binder storage. Cabinet sides, top and bottom are 3/4" thick, in laminate or veneer, or a combination of laminates.

Construction

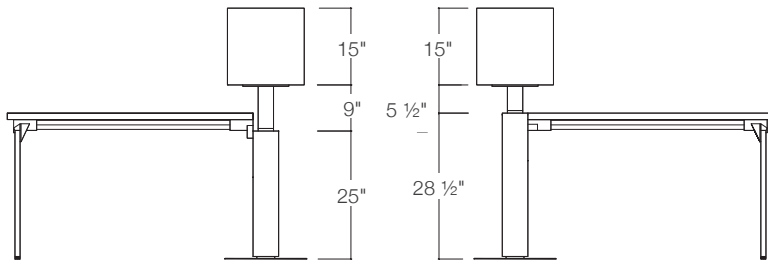
Case is composed of 3/4" thick wood panels, with discreet glue-and-dowel connections.

Specification Options

Specify laminate (L), "mixed" two-tone laminate (M) or veneer (V) case.

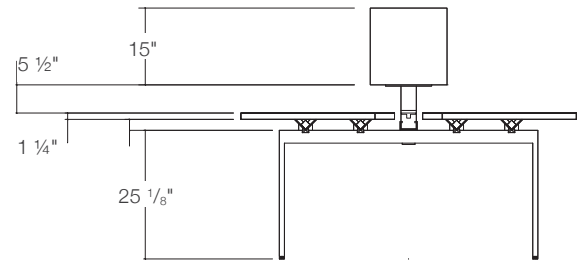
Case finish exterior is available in any Knoll Core laminate or veneer. When the case exterior is laminate, case interior and inset back are available in any Knoll Core or Accent laminate. When an Accent laminate is specified, the edgeband will match the exterior core laminate finish.

Specify stanchions separately.

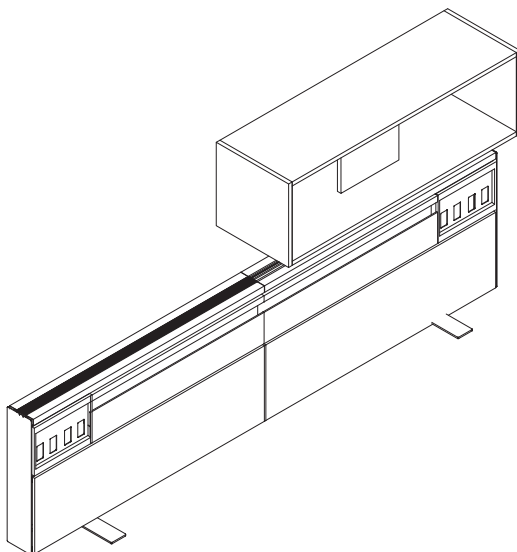


25"H Fence with Stanchion Mounted Open Wood Cabinet Elevation

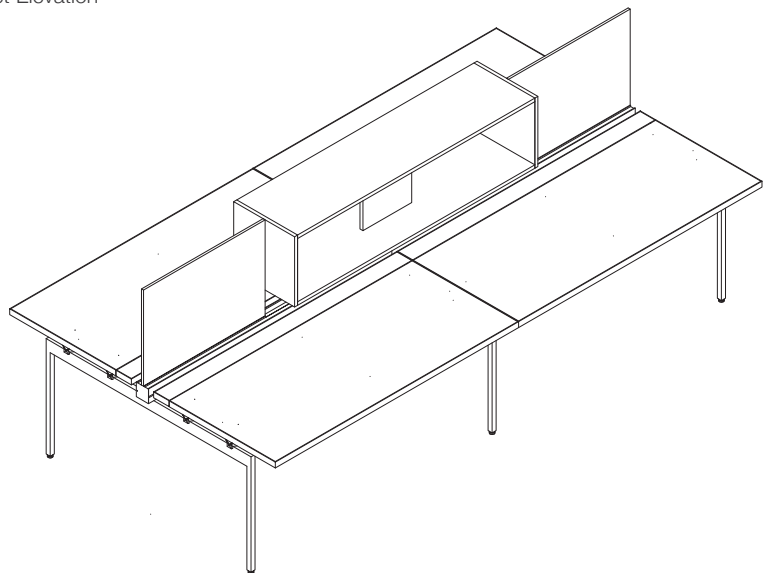
28 1/2"H Fence with Stanchion Mounted Open Wood Cabinet Elevation



Big Table with Stanchion Mounted Open Wood Cabinet Elevation



25"H Fence with Stanchion Mounted Open Wood Cabinet



Big Table with Stanchion Mounted Open Wood Cabinet and Screens

Stanchion Mounted Wood Storage

For Big Table and Fence

Planning Guidelines and Specifications

Stanchion Mounted Enclosed Wood Cabinets

Stanchion mounted enclosed wood cabinets provide binder storage within easy reach from a seated position. Cabinets are split with a center partition and a sliding door front on each side of the cabinet for shared use. Cabinets mount on big table center beam or on Fence, with storage stanchion supports, specified separately.

Enclosed wood cabinets are available in 36", 42", 48", 60" and 72" widths.

Each face of cabinet has a sliding door overlapping the recessed back of the cabinet facing the other side.

Cabinets can be specified with both openings on the left or both on the right side.

Cabinets can be specified in all laminate or veneer or mixed surface laminate: all "Interior" surfaces of laminate cabinet can be specified in a contrasting core or "pop" laminate. Partition and inset back are considered interior surfaces on both faces.

All stanchion mounted cabinets are 15"H x 15"D, with 13 ½" clear interior height for binder storage. Cabinet sides, top and bottom are ¾" thick, in laminate or veneer.

Construction

Case is composed of ¾" thick wood panels, with discreet glue-and-dowel connections.

Specification Options

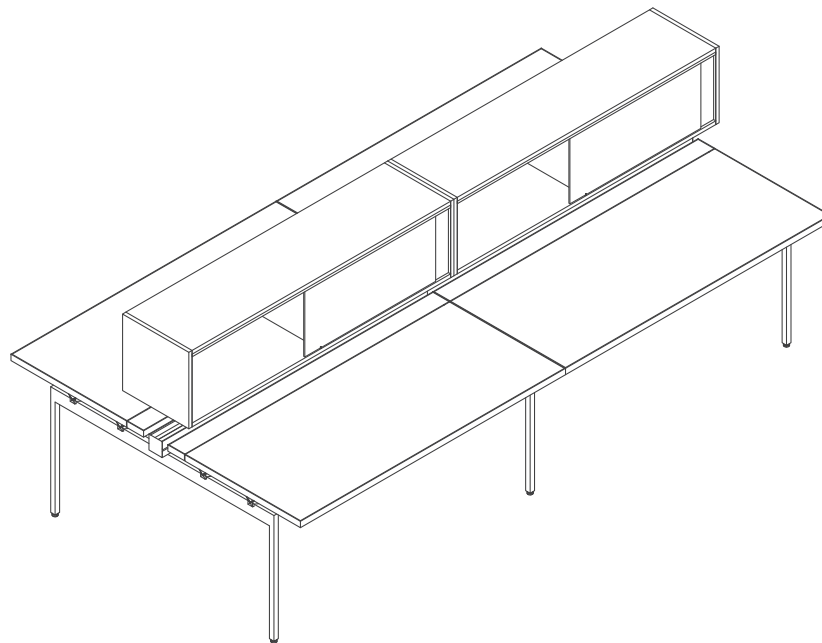
Specify laminate (L), "mixed" two-tone laminate (M) or veneer (V) case. Enclosed wood cabinets are non-locking.

Case finish exterior is available in any Knoll Core laminate or veneer. When the case exterior is laminate, case interior and inset back are available in any Knoll Core or Accent laminate. When an Accent laminate is specified, the edgeband will match the exterior core laminate finish.

Door sets are specified separately to enable any combination of wood or laminate case and doors. Specify drawer front sets in any Knoll Core laminate (L) or veneer (V).

Pulls are available in any Knoll Core paint finish, Dark Red or Slate Blue.

Specify stanchions separately.



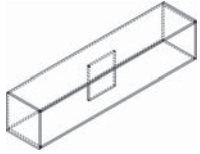
Big Table with Stanchion Mounted Shared Sliding Door Cabinets, Openings on Left

Stanchion Mounted Wood Storage

For Big Table and Fence

Open Cabinets

description	w	d	h	pattern no.	All Same	Different	Different	V1	V2	V3
					Laminate (Core Lam.) (L)	Laminate Case/ Interior (Core Lam.) (L)	Laminate Case/ Interior (Accent lam.) (L)			
Stanchion Mounted Cabinet, Open Front and Back	36"	15"	15"	YSUOS3615()	\$1,007.	\$1,108.	\$1,459.	\$1,459.	\$1,679.	\$2,183.
	42"	15"	15"	YSUOS4215()	1,064.	1,170.	1,508.	1,508.	1,736.	2,255.
	48"	15"	15"	YSUOS4815()	1,120.	1,232.	1,558.	1,558.	1,791.	2,328.
	60"	15"	15"	YSUOS6015()	1,399.	1,539.	1,947.	1,947.	2,239.	2,574.
	72"	15"	15"	YSUOS7215()	1,512.	1,663.	2,093.	2,093.	2,407.	3,129.

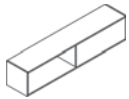


Stanchion Mounted Cabinet, Open Front and Enclosed Back	36"	15"	15"	YSUES3615()	1,176.	1,294.	1,606.	1,606.	1,847.	2,400.
	48"	15"	15"	YSUES4815()	1,343.	1,478.	1,850.	1,850.	2,127.	2,764.



(48" wide cabinet with septum shown)

Stanchion Mounted Shared Cabinet, Open Front and Enclosed Back Opening on Left	36"	15"	15"	YSUSNDL3615()	1,343.	n/a	n/a	2,072.	2,384.	3,098.
	42"	15"	15"	YSUSNDL4215()	1,371.	n/a	n/a	2,120.	2,436.	3,168.
	48"	15"	15"	YSUSNDL4815()	1,399.	n/a	n/a	2,165.	2,490.	3,236.
	60"	15"	15"	YSUSNDL6015()	1,455.	n/a	n/a	2,300.	2,644.	3,436.
	72"	15"	15"	YSUSNDL7215()	1,567.	n/a	n/a	2,393.	2,752.	3,578.



Ordering Information

Stanchion Mounted Cabinets

1. Pattern Number
2. Exterior Case Finish
3. Interior Case Finish (Laminate only)

Order Code

Stanchion Mounted Cabinets

Example: **YSUOS6015L, 118, 118**

YSUOS	Stanchion Mounted Cabinets
60	Width
15	Depth
L	Laminate
118	Bright White Laminate
118	Bright White Laminate

Included With

Stanchion Mounted Cabinets

Specify stanchion brackets for attachment to big table and fence separately

Options

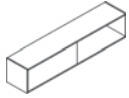
Stanchion Mounted Cabinets

Case Finish Options:

(L) = All the same or different laminates for the exterior and interior case
 (V) = All the same veneer for the exterior and interior case

Stanchion Mounted Wood Storage For Big Table and Fence Open Cabinets

description	w	d	h	pattern no.	All Same Laminate (Core Lam.) (L)	Different Laminate Case/ Interior (Core Lam.) (L)	Different Laminate Case/ Interior (Accent lam.) (L)	V1 (V)	V2 (V)	V3 (V)
Stanchion Mounted Shared Cabinet, Open Front and Enclosed Back Opening on Right	36"	15"	15"	YSUSNDR3615()	\$1,343.	n/a	n/a	\$2,072.	\$2,384.	\$3,098.
	42"	15"	15"	YSUSNDR4215()	1,371.	n/a	n/a	2,120.	2,436.	3,168.
	48"	15"	15"	YSUSNDR4815()	1,399.	n/a	n/a	2,165.	2,490.	3,236.
	60"	15"	15"	YSUSNDR6015()	1,455.	n/a	n/a	2,300.	2,644.	3,436.
	72"	15"	15"	YSUSNDR7215()	1,567.	n/a	n/a	2,393.	2,752.	3,578.



Ordering Information

Stanchion Mounted Cabinets

1. Pattern Number
2. Exterior Case Finish
3. Interior Case Finish (Laminate only)

Order Code

Stanchion Mounted Cabinets

Example: **YSUOS6015L, 118, 118**

YSUOS	Stanchion Mounted Cabinets
60	Width
15	Depth
L	Laminate
118	Bright White Laminate
118	Bright White Laminate

Included With

Stanchion Mounted Cabinets

Specify stanchion brackets for attachment to big table and fence separately

Options

Stanchion Mounted Cabinets

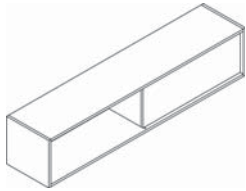
Case Finish Options:

(L) = All the same or different laminates for the exterior and interior case
 (V) = All the same veneer for the exterior and interior case

For Big Table and Fence

Shared Sliding Door Cabinets with Opening on Left

description	w	d	h	pattern no.	All Same	Different	Different	V1	V2	V3
					Laminate (Core Lam.) (L)	Laminate Case/ Interior (Core Lam.) (L)	Laminate Case/ Interior (Accent Lam.) (L)			
Stanchion Mounted Shared Sliding Door Cabinet Case, Opening on Left	36"	15"	15"	YSUSDL3615()	\$1,567.	\$1,723.	\$2,574.	\$2,574.	\$2,960.	\$3,849.
	42"	15"	15"	YSUSDL4215()	1,624.	1,785.	2,631.	2,631.	3,025.	3,932.
	48"	15"	15"	YSUSDL4815()	1,679.	1,785.	2,687.	2,687.	3,089.	4,017.
	60"	15"	15"	YSUSDL6015()	2,127.	2,340.	3,022.	3,022.	3,476.	4,517.
	72"	15"	15"	YSUSDL7215()	2,239.	2,462.	3,246.	3,246.	3,733.	4,852.



description	w	d	h	pattern no.				V1	V2	V3
	42"	3/4"	15"	YSSDL4215()	644.	n/a	n/a	895.	1,030.	1,339.
	48"	3/4"	15"	YSSDL4815()	672.	n/a	n/a	924.	1,062.	1,381.
	60"	3/4"	15"	YSSDL6015()	700.	n/a	n/a	979.	1,130.	1,472.
	72"	3/4"	15"	YSSDL7215()	756.	n/a	n/a	1,064.	1,220.	1,590.



Ordering Information

Stanchion Mounted Cabinets

1. Pattern Number
2. Exterior Case Finish
3. Interior Case Finish (Laminate only)

Sliding Doors

1. Pattern Number
2. Door Finish
3. Pull Finish

Order Code

Stanchion Mounted Cabinets

Example: **YSUSDL6015L, 118, 118**

YSUSDL	Stanchion Mounted Cabinets
60	Width
15	Depth
L	Laminate
118	Bright White Laminate
118	Bright White Laminate

Sliding Doors

Example: **YSSDL6015L, 118**

YSSD	Sliding Doors
L	Left
60	Width
15	Depth
L	Laminate
118	Bright White Laminate

Included With

Stanchion Mounted Cabinets
Specify stanchion brackets for attachment to big table and fence separately

Sliding Doors
Hardware

Options

Stanchion Mounted Cabinets

Case Finish Options:
(L) = All the same or different laminates for the exterior and interior case
(V) = All the same veneer for the exterior and interior case

Sliding Doors

Door Finish Options:
(L) = Laminate
(V) = Veneer

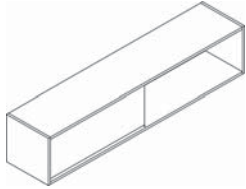
Door pulls are available in Knoll core paints, Dark Red (130) and Slate Blue (131) paint finishes.

Stanchion Mounted Wood Storage

For Big Table and Fence

Shared Sliding Door Cabinets with Opening on Right

description	w	d	h	pattern no.	All Same	Different	Different	V1	V2	V3
					Laminate (Core Lam.) (L)	Laminate Case/ Interior (Accent Lam.) (L)	Laminate Case/ Interior (Accent Lam.) (L)			
Stanchion Mounted Shared Sliding Door Cabinet Case Opening on Right	36"	3/4"	15"	YSUSDR3615()	\$1,567.	\$1,723.	\$2,574.	\$2,574.	\$2,960.	\$3,849.
	42"	3/4"	15"	YSUSDR4215()	1,624.	1,785.	2,631.	2,631.	3,025.	3,932.
	48"	3/4"	15"	YSUSDR4815()	1,679.	1,785.	2,687.	2,687.	3,089.	4,017.
	60"	3/4"	15"	YSUSDR6015()	2,127.	2,340.	3,022.	3,022.	3,476.	4,517.
	72"	3/4"	15"	YSUSDR7215()	2,239.	2,462.	3,246.	3,246.	3,733.	4,852.



description	w	d	h	pattern no.	All Same	Different	Different	V1	V2	V3
					Laminate (Core Lam.) (L)	Laminate Case/ Interior (Accent Lam.) (L)	Laminate Case/ Interior (Accent Lam.) (L)			
Sliding Doors Kit for Stanchion Mounted Shared Sliding Door Cabinet Case, Opening on Right	36"	15"	15"	YSSDR3615()	616.	n/a	n/a	867.	998.	1,298.
	42"	15"	15"	YSSDR4215()	644.	n/a	n/a	895.	1,030.	1,339.
	48"	15"	15"	YSSDR4815()	672.	n/a	n/a	924.	1,062.	1,381.
	60"	15"	15"	YSSDR6015()	700.	n/a	n/a	979.	1,130.	1,472.
	72"	15"	15"	YSSDR7215()	756.	n/a	n/a	1,064.	1,220.	1,590.



Ordering Information	Order Code	Included With	Options
Stanchion Mounted Cabinets 1. Pattern Number 2. Exterior Case Finish 3. Interior Case Finish (Laminate only)	Stanchion Mounted Cabinets <i>Example:</i> YSUSDR6015L, 118, 118 YSUSDR Stanchion Mounted Cabinets 60 Width 15 Depth L Laminate 118 Bright White Laminate 118 Bright White Laminate	Stanchion Mounted Cabinets Specify stanchion brackets for attachment to big table and fence separately Sliding Doors Hardware	Stanchion Mounted Cabinets Case Finish Options: (L) = All the same or different laminates for the exterior and interior case (V) = All the same veneer for the exterior and interior case Sliding Doors Door Finish Options: (L) = Laminate (V) = Veneer Door pulls are available in Knoll core paints, Dark Red (130) and Slate Blue (131) paint finishes.
Sliding Doors 1. Pattern Number 2. Door Finish 3. Pull Type 4. Pull Finish	Sliding Doors <i>Example:</i> YSSDR6015L, 118 YSSD Sliding Doors R Right 60 Width 15 Depth L Laminate 118 Bright White Laminate		

Stanchion Mounted Metal Storage

For Big Table and Fence

Planning Guidelines and Specifications

Stanchion Mounted Metal Open Cabinets

Stanchion mounted metal open cabinets provide binder storage within easy reach from a seated position. Cabinets are open both front and back for shared use.

Cabinets mount on big table center beam or on Fence, with storage stanchion supports, specified separately.

Open front and back cabinets are available in 36", 42", 48", 60" and 72" widths. A center panel parallel to the open front and back provides structural support, and serves to filter sightlines through the cabinet. Cabinets 36"W have a 6" wide center panel, cabinets 48" and wider have a 12" wide center panel. Enclosed back cabinets are available in 36", 42", 48", 60" and 72" widths. Enclosed back cabinet has a full back, recessed 1/2" for optional fabric insert, specified separately.

All stanchion mounted cabinets are 15"H x 15"D, with 13 1/2" clear interior height for binder storage. Cabinet sides, top and bottom are painted steel finish.

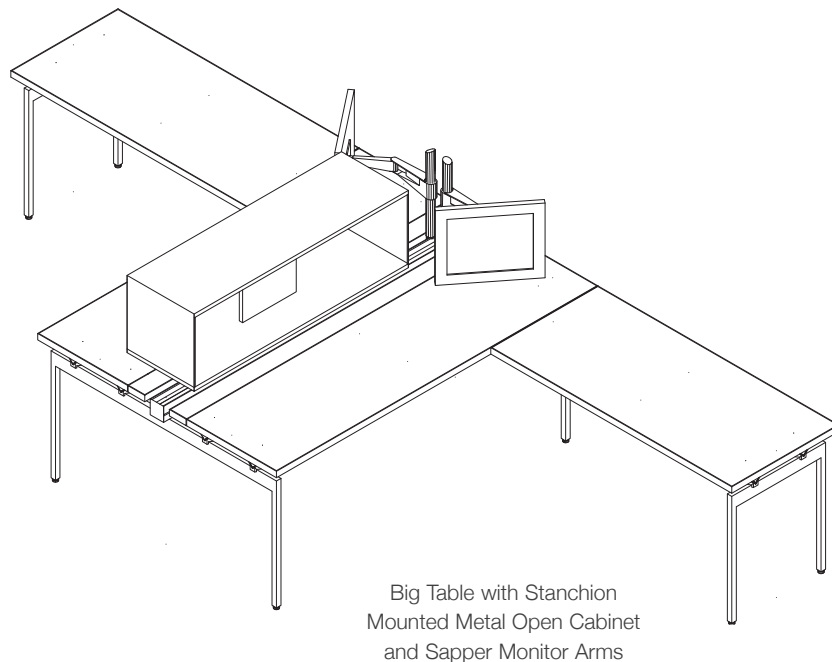
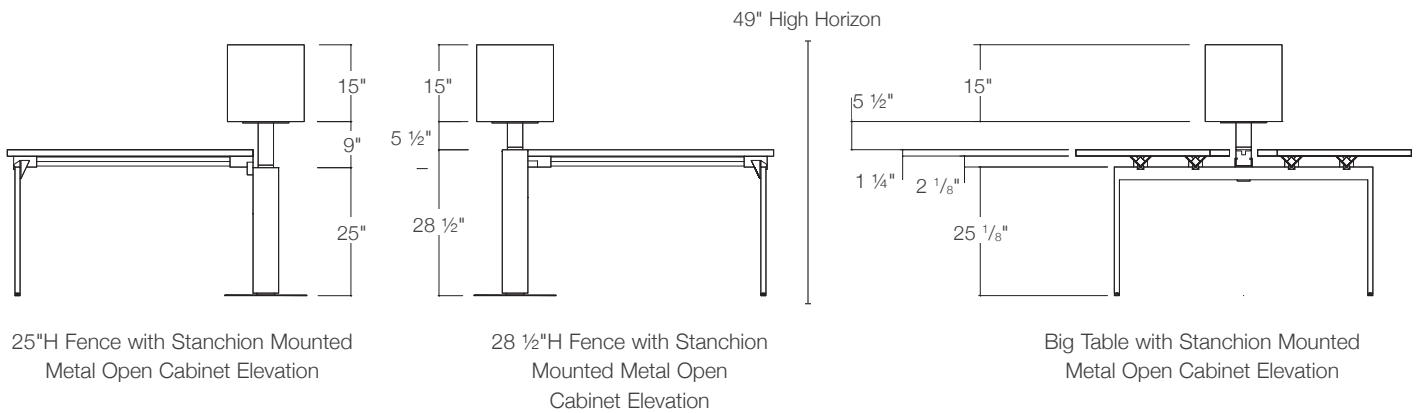
Construction

Cabinet top and bottom are formed to 3/4" thick, and sides are flat, heavy gauge steel.

Specification Options

Specify case in any Knoll Core paint finish.

Specify stanchions separately.



Stanchion Mounted Metal Storage For Big Table and Fence Planning Guidelines and Specifications

Stanchion Mounted Shared Metal Cabinets

Stanchion mounted shared metal cabinets provide binder storage within easy reach from a seated position. Cabinets are split with a center partition and available open or with a sliding door front on each face. Cabinets mount on big table center beam or on Fence, with a pair of storage stanchion supports, specified separately.

Shared cabinets are available in 36", 42", 48", 60" and 72" widths. Each face of cabinet has a sliding door overlapping the recessed back of the cabinet facing the other side. Cabinets can be specified with both openings on the left or both on the right side.

Cabinets can be specified in all painted finish case and interior, with matching or contrasting doors finish.

All stanchion mounted cabinets are 15"H x 15"D, with 13 1/2" clear interior height for binder storage.

Construction

Cabinet top and bottom are formed to 3/4" thick, and sides are flat, heavy gauge steel.

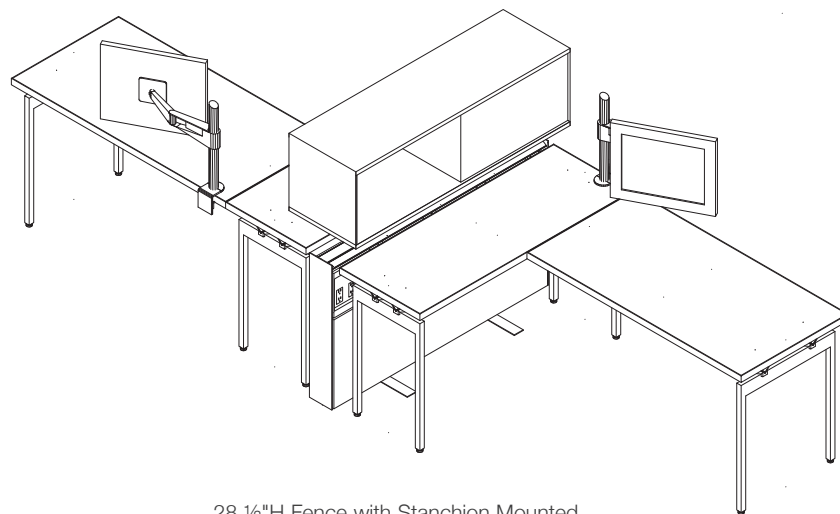
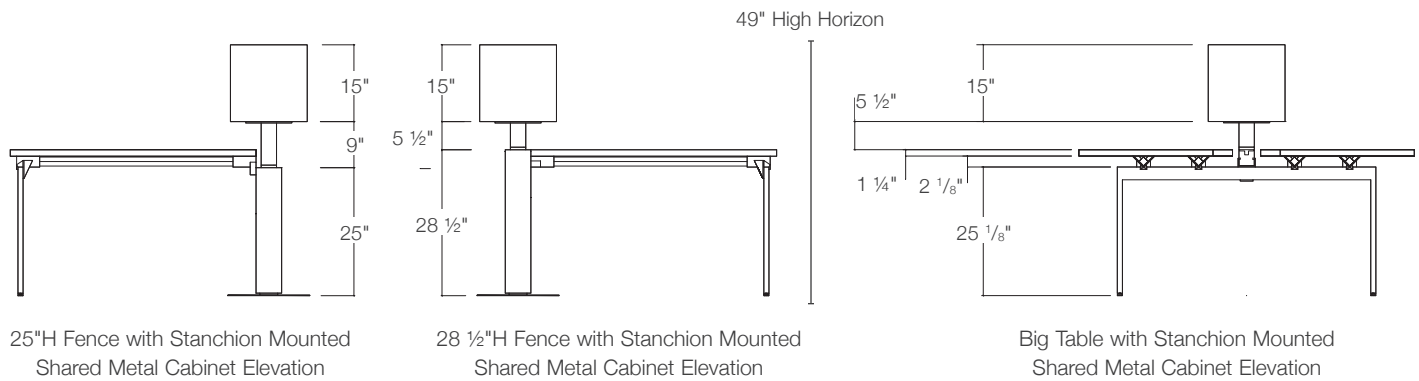
Specification Options

Specify locking (L) or non-locking (N).

When different paint finishes are being selected for the case, doors or pulls, add a (Y) suffix to the pattern number. If a single paint finish is being specified for all components add an (S).

Specify case, doors and pulls in any Knoll Core paint finish.

Specify stanchions separately.



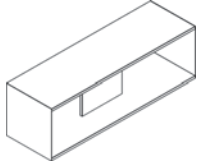
28 1/2"H Fence with Stanchion Mounted Shared Metal Cabinet and Antenna Desks

Stanchion Mounted Metal Storage

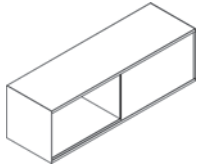
For Big Table and Fence

Open and Shared Cabinets

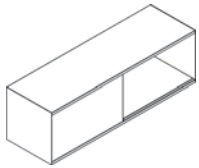
description	w	d	h	pattern no.	list	P2	P3
Stanchion Mounted Cabinets, Open Front and Back	36"	15"	15"	YSMUOS36	\$708.	\$776.	\$810.
	42"	15"	15"	YSMUOS42	732.	801.	835.
	48"	15"	15"	YSMUOS48	758.	831.	868.
	60"	15"	15"	YSMUOS60	924.	1,013.	1,058.
	72"	15"	15"	YSMUOS72	985.	1,083.	1,130.



Stanchion Mounted Shared Cabinets, with Enclosed Back and Open Front, Opening on Left	36"	15"	15"	YSMUSOL36	827.	910.	952.
	42"	15"	15"	YSMUSOL42	861.	947.	992.
	48"	15"	15"	YSMUSOL48	898.	987.	1,034.
	60"	15"	15"	YSMUSOL60	1,085.	1,193.	1,247.
	72"	15"	15"	YSMUSOL72	1,154.	1,269.	1,328.



Stanchion Mounted Shared Cabinets, with Enclosed Back and Open Front, Opening on Right	36"	15"	15"	YSMUSOR36	827.	910.	952.
	42"	15"	15"	YSMUSOR42	861.	947.	992.
	48"	15"	15"	YSMUSOR48	898.	987.	1,034.
	60"	15"	15"	YSMUSOR60	1,085.	1,193.	1,247.
	72"	15"	15"	YSMUSOR72	1,154.	1,269.	1,328.



Ordering Information

Stanchion Mounted Open Cabinets

1. Pattern Number
2. Case Paint Finish

Stanchion Mounted Cabinets with Sliding Doors

1. Pattern Number
2. Paint Configuration
3. Case Paint Finish
4. Door Paint Finish
5. Pull Finish

Order Code

Stanchion Mounted Open Cabinets

Example: YSMUOS48, 118T

YSMUOS Stanchion Mounted Cabinets

48 Width

118T Bright White Paint

Stanchion Mounted Cabinets with Sliding Doors

Example: YSMUSDR48LY, 118T, 613, 118T

YSMUSDR Stanchion Mounted Cabinets

48 Width

L Lock

Y Different Paint Finishes

118T Bright White Paint

613 Silver Paint

118T Bright White Paint

Included With

Stanchion Mounted Open Cabinets

Stanchion Mounted Shared Cabinets with Sliding Doors
Sliding Doors with Pulls
Hardware

Specify stanchion brackets for attachment to big table and fence separately.

Options

Stanchion Mounted Open Cabinets

Stanchion Mounted Shared Cabinets with Sliding Doors

Lock Options:

To specify a stanchion mounted shared cabinet with sliding doors without a lock, replace the "L" suffix in the pattern number with an "N".

Paint Configuration Options:

(S) = Same paint finish on case and sliding door

(Y) = Different paint finish on case and sliding door

Sliding Door Pull Finish Options:

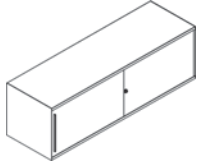
Door pulls are available in Knoll core paints, Dark Red (130) and Slate Blue (131) paint finishes. Add \$40 to the list price for painted door pulls.

Stanchion Mounted Metal Storage

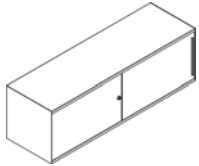
For Big Table and Fence

Open and Shared Cabinets

description	w	d	h	pattern no.	list	P2	P3
Stanchion Mounted Shared Cabinets, with Sliding Doors, Opening On Left	36"	15"	15"	YSMUSDL36L()	\$1,033.	\$1,130.	\$1,180.
	42"	15"	15"	YSMUSDL42L()	1,069.	1,172.	1,223.
	48"	15"	15"	YSMUSDL48L()	1,105.	1,210.	1,264.
	60"	15"	15"	YSMUSDL60L()	1,303.	1,428.	1,491.
	72"	15"	15"	YSMUSDL72L()	1,403.	1,538.	1,606.



Stanchion Mounted Shared Cabinets, with Sliding Doors, Opening On Right	36"	15"	15"	YSMUSDR36L()	1,033.	1,130.	1,180.
	42"	15"	15"	YSMUSDR42L()	1,069.	1,172.	1,223.
	48"	15"	15"	YSMUSDR48L()	1,105.	1,210.	1,264.
	60"	15"	15"	YSMUSDR60L()	1,303.	1,428.	1,491.
	72"	15"	15"	YSMUSDR72L()	1,403.	1,538.	1,606.



Ordering Information

Stanchion Mounted Open Cabinets

1. Pattern Number
2. Case Paint Finish

Stanchion Mounted Cabinets with Sliding Doors

1. Pattern Number
2. Paint Configuration
3. Case Paint Finish
4. Door Paint Finish
5. Pull Finish

Order Code

Stanchion Mounted Open Cabinets

Example: YSMUOS48, 118T

YSMUOS Stanchion Mounted Cabinets

48 Width

118T Bright White Paint

Stanchion Mounted Cabinets with Sliding Doors

Example: YSMUSDR48LY, 118T, 613, 118T

YSMUSDR Stanchion Mounted Cabinets

48 Width

L Lock

Y Different Paint Finishes

118T Bright White Paint

613 Silver Paint

118T Bright White Paint

Included With

Stanchion Mounted Open Cabinets

Stanchion Mounted Shared Cabinets with Sliding Doors
Sliding Doors with Pulls
Hardware

Specify stanchion brackets for attachment to big table and fence separately.

Options

Stanchion Mounted Open Cabinets

Stanchion Mounted Shared Cabinets with Sliding Doors

Lock Options:

To specify a stanchion mounted shared cabinet with sliding doors without a lock, replace the "L" suffix in the pattern number with an "N".

Paint Configuration Options:

(S) = Same paint finish on case and sliding door

(Y) = Different paint finish on case and sliding door

Sliding Door Pull Finish Options:

Door pulls are available in Knoll core paints, Dark Red (130) and Slate Blue (131) paint finishes. Add \$40 to the list price for painted door pulls.

Stanchion Mounted Platform

For Big Table and Fence

Planning Guidelines and Specifications

Stanchion Mounted Platforms

Platforms are a rectangular laminate or veneer surface that mounts on stanchions on the center beam of a big table or on the crown of either height Fence. Specify a pair of storage support stanchions separately.

Platforms are 15"D, and centered over the stanchions, in widths from 24"-72" in 6" increments.

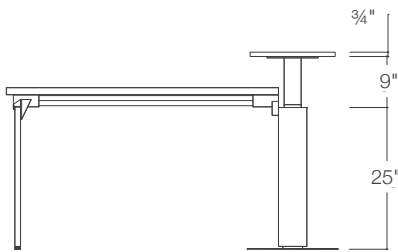
Construction

Platforms are 3/4" thick particle MDF with high pressure laminate surface or veneer. Threaded inserts are positioned over stanchion locations.

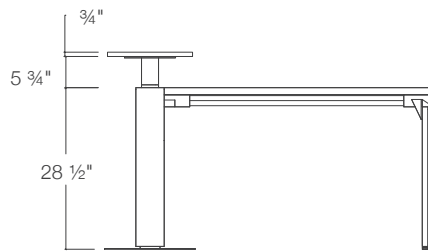
Specification Options

Specify either a laminate (L) or veneer (V) surface. Surface finish is available in any Knoll Core laminate or veneer finish.

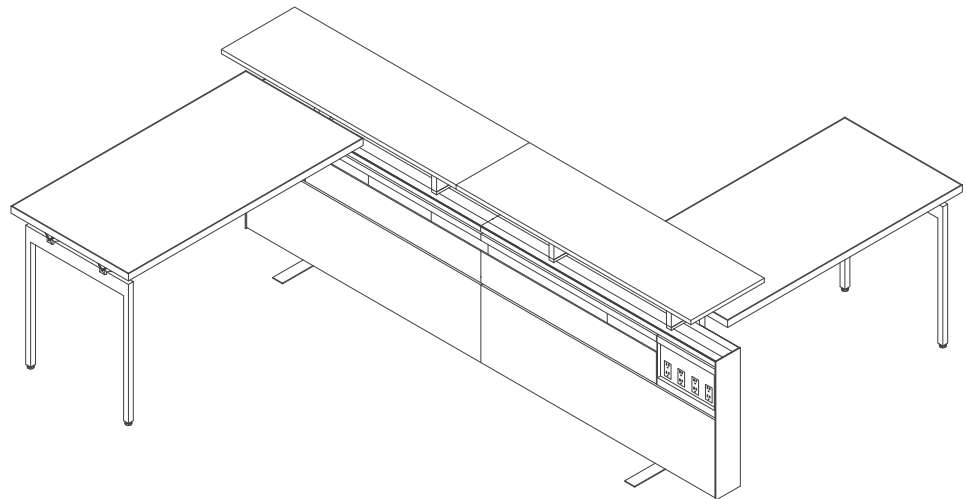
Specify stanchions separately.



25"H Fence with Stanchion Mounted Platform Elevation



28 1/2"H Fence with Stanchion Mounted Platform Elevation

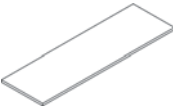


25"H Fence with Stanchion Mounted Platforms and Antenna Desks

Stanchion Mounted Platform

For Big Table and Fence

15" Deep

description	w	d	h	pattern no.	Laminate (L)	V1 (V)	V2 (V)	V3 (V)
 Platform	24"	15"	3/4"	YSUOP24()	\$156.	\$375.	\$432.	\$583.
	30"	15"	3/4"	YSUOP30()	169.	390.	449.	607.
	36"	15"	3/4"	YSUOP36()	190.	401.	460.	622.
	48"	15"	3/4"	YSUOP48()	235.	419.	482.	651.
	60"	15"	3/4"	YSUOP60()	268.	461.	530.	716.
	72"	15"	3/4"	YSUOP72()	280.	481.	555.	747.

Ordering Information

1. Pattern Number
2. Surface Finish

Order Code

Platform

Example: YSUOP48L, 118

YSUOP Platform

48 Width

L Laminate

Included With

Platform
Hardware

Specify stanchion brackets for attachment to big table and fence separately

Options

Platform

Surface Finish Options
(L) = Laminate
(V) = Veneer

Stanchion Supports

Planning Guidelines and Specifications

Supports for Stanchion Mounted Cabinets and Platforms

Storage support stanchions lift underside of platforms or stanchion mounted wood or metal storage cabinets to 34" above the floor. Top of open or enclosed storage cabinets on stanchions align with Antenna 49" horizon.

Supports are available in sets of two for platforms or storage units up to 60" wide. Specify set of three stanchions for cabinets wider than 60".

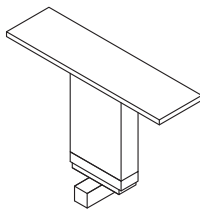
Select supports kit according to application on Big Table center beam, 25"H Fence, or 28"H Fence.

Construction

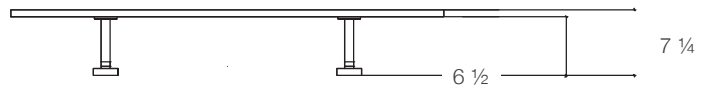
Stanchions are extruded aluminum, with cast adapters specific to center beam or Fence. Top plate connector to storage is steel.

Specification Options

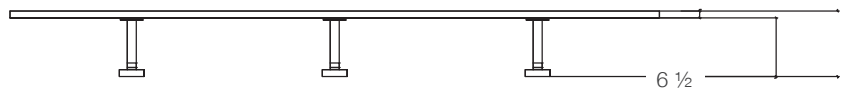
Stanchions are available in any Knoll Core paint finish, Dark Red or Slate Blue.



Stanchion



Platforms up to 60" wide require 2 stanchions



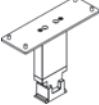


Platforms wider than 60" require 3 stanchions

Stanchion Planning Guidelines

Stanchion Supports

For Big Table and Fence

description	type	w	d	h	pattern no.	list
 Stanchions for Big Table	(2) stanchions for cabinets/platforms up to 60" wide	3"	1 1/4"	5"	YSUS2BT	\$112.
	(3) stanchions for cabinets/platforms wider than 60"	3"	1 1/4"	5"	YSUS3BT	169.
 Stanchions for 25" High Fence	(2) stanchions for cabinets/platforms up to 60" wide	3"	1 1/4"	8"	YSUS2F25	123.
	(3) stanchions for cabinets/platforms wider than 60"	3"	1 1/4"	8"	YSUS3F25	185.
 Stanchions for 28 1/2" High Fence	(2) stanchions for cabinets/platforms up to 60" wide	3"	1 1/4"	5"	YSUS2F28	112.
	(3) stanchions for cabinets/platforms wider than 60"	3"	1 1/4"	5"	YSUS3F28	169.

Ordering Information	Order Code	Included With	Options
Stanchions 1. Pattern Number 2. Paint Finish	Stanchions <i>Example:</i> YSUS2BT, 118T YSUS Stanchions 2 Quantity BT Big Table 118T Bright White Paint	Stanchions Hardware	Stanchions

Cantilever Shelves

Planning Guidelines and Specifications

Cantilever Shelves

Cantilever shelves provide additional level of work surface 6" above Big Table tops. Cantilever shelves are supported independently at any point on either side of Big Table center beam. Cantilever shelves are available in 12"D x 12" or 24" wide laminate or veneer surface $\frac{3}{4}$ " thick. Maximum weight limit for a 12" x 12" shelf is 58 lbs and for a 12" x 24" shelf is 29 lbs.

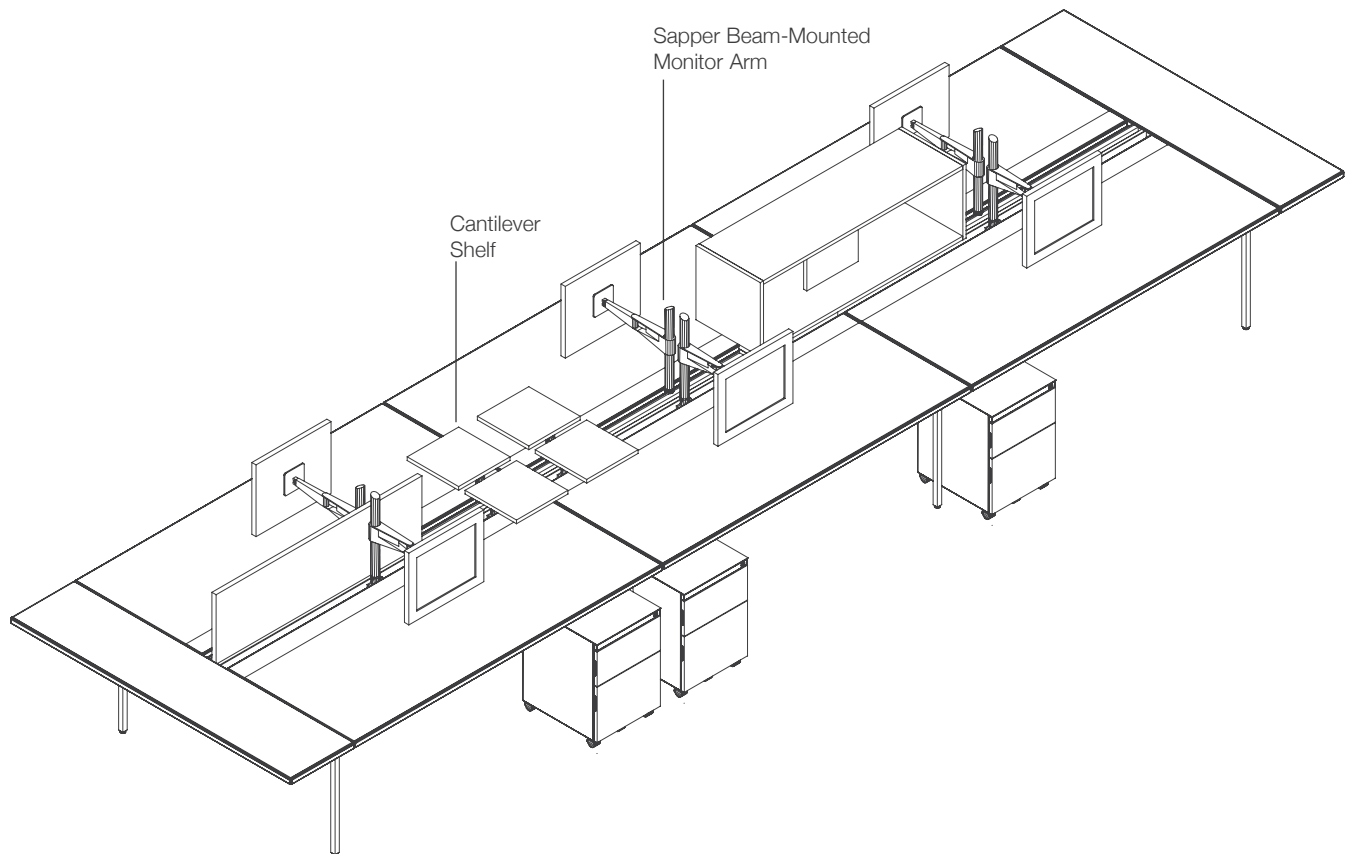
Construction

Cantilever shelves are solid MDF with veneer or laminate surface

Specification Options

Specify either a laminate (L) or veneer (V) surface. Surface finish is available in any Knoll Core laminate or veneer finish.

Cantilever support bracket is available in any Knoll Core paint finish, Dark Red or Slate Blue.



Big Table with Accessories

Cantilever Shelves 12" and 24" Wide

description	w	d	h	pattern no.	Laminate (L)	V1 (V)	V2 (V)	V3 (V)
Cantilever Shelf for Big Table, attaches to center beam	12"	12"	12"	YSCS1212()	\$280.	\$392.	\$448.	\$604.
	24"	12"	12"	YSCS2412()	302.	425.	526.	783.



Ordering Information

Cantilever Shelf

1. Pattern Number
2. Shelf Finish
3. Support/Bracket Paint Finish

Order Code

Cantilever Shelf

Example: YSCS2412L, 118, 118T

YSCS	Cantilever Shelf
24	Width
12	Depth
L	Laminate
118	Bright White Laminate
118T	Bright White Paint

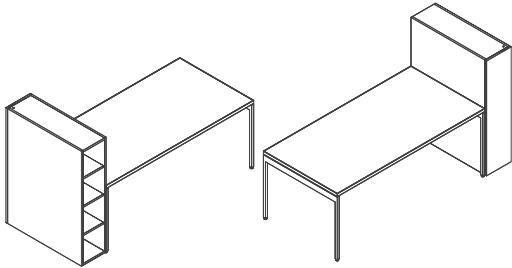
Included With

Cantilever Shelf
Support column
Hardware

Options

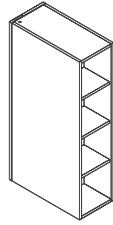
Cantilever Shelf
Finish Options:
(L) = Laminate
(V) = Veneer

Personal Desk-End Cabinets with Open Front and Hinged Door Back

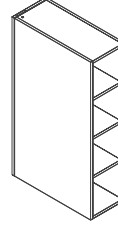


Desk with Personal Desk End Cabinet with Open Front and Hinged Door Back, Front

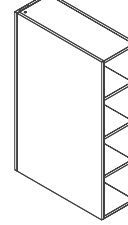
Desk with Personal Desk End Cabinet with Open Front and Hinged Door Back, Back



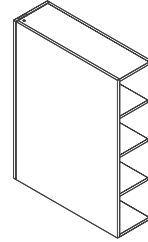
24" Deep



27" Deep

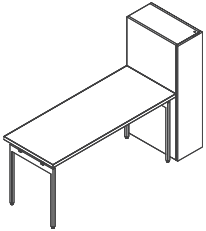


30" Deep

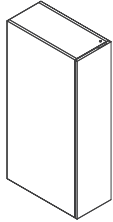


36" Deep

Personal Desk-End Cabinets with Hinged Door

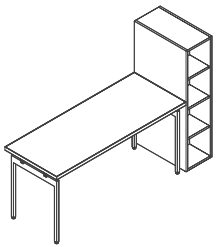


Desk with Personal Desk End Cabinet with Hinged Door

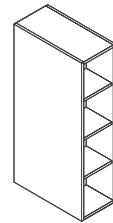


24" Deep

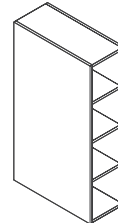
Shared Desk-End Cabinets with Open Front and Back



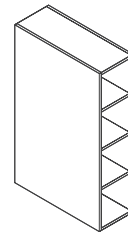
Desk with Shared Desk End Cabinet with Open Front and Back



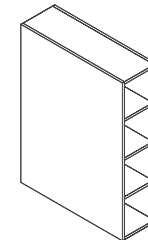
24" Deep



27" Deep

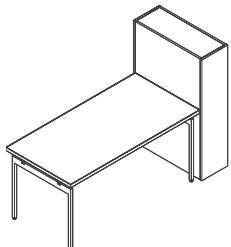


30" Deep

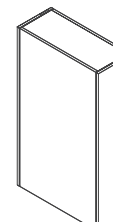


36" Deep

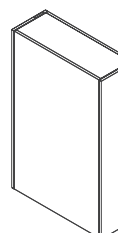
Shared Desk-End Cabinets with Hinged Door Front and Back



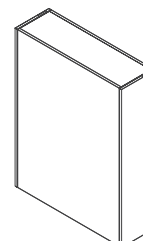
Desk with Shared Desk End Cabinet with Hinged Door Front and Back



27" Deep

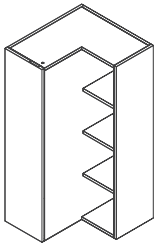


30" Deep

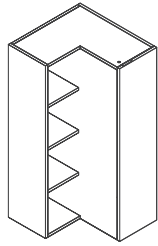


36" Deep

L Cabinets



Door on Left



Door on Right

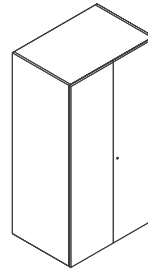
Wardrobe Cabinets



18" Wide
Hinged on Left

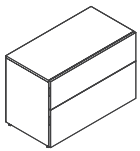


18" Wide
Hinged on Right

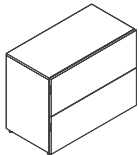


36" Wide
Double Doors

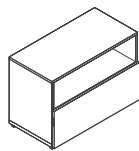
File Cabinets



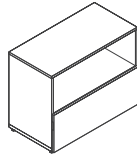
25" High



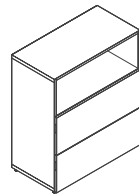
28" High



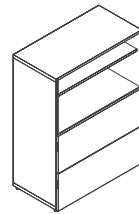
25" High



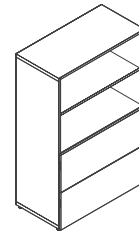
28" High



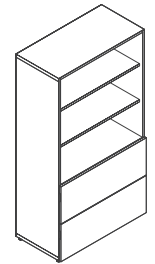
42" High



49" High

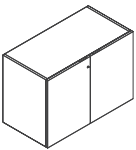


56" High

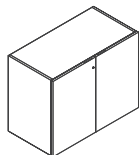


67" High

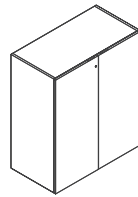
Enclosed Shelf Cabinets



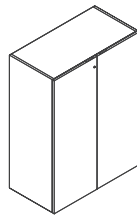
25" High



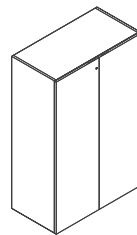
28" High



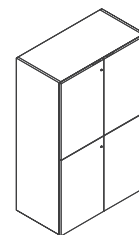
42" High



49" High

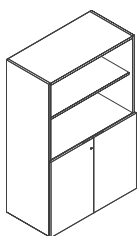


56" High

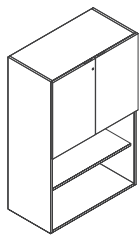


56" High

Partially Enclosed Shelf Cabinets

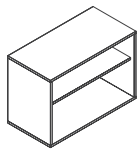


56" High

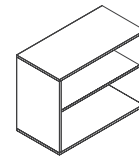


56" High

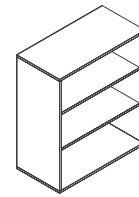
Open Shelf Cabinets



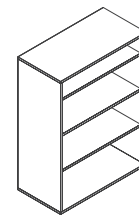
25" High



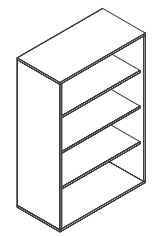
28" High



42" High



49" High



56" High

Personal Desk-End Cabinets

Desk-end cabinets are space-efficient storage designed to provide enclosure at the end of a desk. Personal desk-end cabinets include brackets to secure side of cabinet to adjacent desk for stability.

Personal desk-end cabinets are 49"H, 12"W, and available in 24", 27", 30" and 36" depths.

Personal desk-end cabinets 27"-36"D include a partition dividing the depth of the cabinet, with three adjustable 12 ½"D shelves in front and a coat hook and door in back.

Personal desk-end cabinet 24"D includes a fixed, flush back, and three adjustable 12 ½"D shelves and door in front. Space in front of shelves is suitable for coat storage, with coathook specified separately.

Shared desk-end cabinets can be specified in any core laminate or veneer for case, shelves and door.

Enclosed desk-end cabinets can also be specified in laminate with contrasting laminate or veneer doors.

Construction

Desk-end cabinets are composed of ¾" MDF panels joined in discreet, glue-and-dowel construction.

Doors open 135 degrees for easy access.

Desk-end cabinets include levelers with 1 ½" travel.

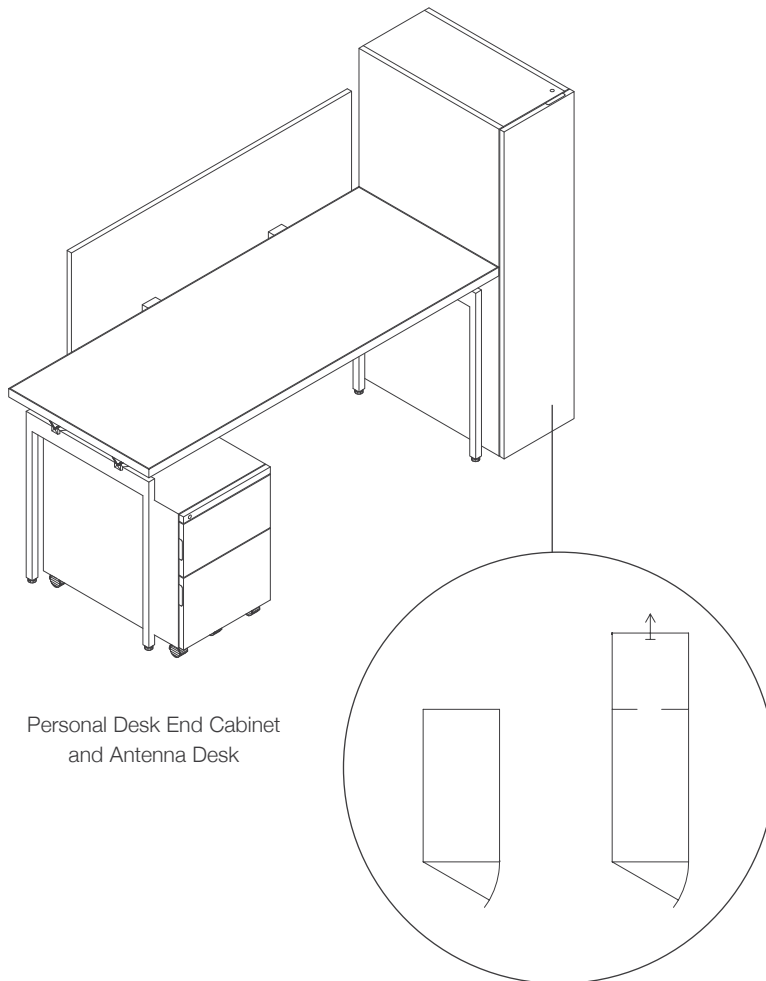
Specification Options

Specify laminate (L), "mixed" two-tone laminate or laminate case with veneer front (M) or veneer (V) case. Cabinets are available either locking (L) or non-locking (N).

Case finish exterior is available in any Knoll Core laminate or veneer. When case exterior is specified laminate, specify drawer front finish in any Knoll Core laminate (L) or veneer (V).

Specify pull type: Edge (E), Insert (I) or Loop (O). Edge pulls are available in any Knoll Core paint finish, Dark Red, Slate Blue or in Chrome (PD). Loop pulls are available in any Knoll Core paint finish, Dark Red or Slate Blue. Insert pulls are available in Chrome (PD).

Brackets may be specified in any Knoll Core paint finish, Dark Red or Slate Blue.



Personal Desk End Cabinet and Antenna Desk

Personal Desk End Cabinets

Floorstanding Personal Desk-End Cabinets

49" High, Hinged on Left

description	type	w	d	h	pattern no.	All Same	Laminate	Laminate	Laminate	All V1	All V2	
						Laminate (L)	Case w/ V1 Fronts (M)	Case w/ V2 Fronts (M)	Case w/ V3 Fronts (M)			
Personal Desk-End Cabinets, Open Front with Shelves and Hinged Door Back (Hinged on Left)	For 24" Deep Desks	12"	24 ⁷ / ₈ "	49"	YSFCDL4924 (JL)	\$2,350.	\$2,585.	\$2,702.	\$2,821.	\$4,040.	\$4,646.	\$6,039.
	For 27" Deep Desks	12"	27 ⁷ / ₈ "	49"	YSFCDL4927 (JL)	2,407.	2,648.	2,768.	2,888.	4,137.	4,758.	6,185.
	For 30" Deep Desks	12"	29 ⁷ / ₈ "	49"	YSFCDL4930 (JL)	2,462.	2,710.	2,832.	2,955.	4,234.	4,870.	6,330.
	For 36" Deep Desks	12"	35 ⁷ / ₈ "	49"	YSFCDL4936 (JL)	2,519.	2,770.	2,897.	3,022.	4,331.	4,981.	6,476.



Personal Desk-End Cabinets, with Hinged Door (Hinged on Left)	For 24" Deep Desks	12"	24 ⁷ / ₈ "	49"	YSFCDEL4924 (JL)	2,437.	2,682.	2,804.	2,926.	4,218.	4,850.	6,305.
---	--------------------	-----	----------------------------------	-----	-------------------------	--------	--------	--------	--------	--------	--------	--------



Ordering Information

Personal Desk-End Cabinets

1. Pattern Number
2. Case/Shelves Finish
3. Door Finish
4. Pull Type
5. Pull Finish
6. Bracket Paint Finish

Order Code

Personal Desk-End Cabinets

Example: **YSFCDEL4924LL, 118, 118, E, 118T, 118T**

YSFCDE	Personal Desk-End Cabinets
L	Left Hinged Door
49	Height
24	Depth
L	Laminate
L	Lock
118	Bright White Laminate
118	Bright White Laminate
E	Edge Pull
118T	Bright White Paint
118T	Bright White Paint

Included With

Personal Desk-End Cabinets with Shelves and Door

Hardware
(3) Adjustable Shelves
Coat Hooks

Personal Desk-End Cabinets with Hinged Door

Hardware
(3) Adjustable Shelves

Options

Personal Desk-End Cabinets

Case Finish Options:

(L) = All the same laminate for the exterior case/shelves and door front
(M) = Laminate exterior case/shelves and veneer door front
(V) = All the same veneer for the exterior case/shelves and door front

Lock Options:

To specify a personal desk-end cabinet without a lock, replace the "L" suffix in the pattern number with an "N".

Door Pull Options:

(E) = Edge Pull
(I) = Insert Pull
(O) = Loop Pull

See planning guide page for door pull finish options.

Floorstanding Personal Desk-End Cabinets

49" High, Hinged on Right

description	type	w	d	h	pattern no.	All Same	Laminate	Laminate	Laminate	All V1	All V2	All V3
						Laminate (L)	Case w/ V1 Fronts (M)	Case w/ V2 Fronts (M)	Case w/ V3 Fronts (M)			
Personal Desk-End Cabinets, Open Front with Shelves and Hinged Door Back (Hinged on Right)	For 24" D Desks	12"	24 ⁷ / ₈ "	49"	YSFCDR4924 (JL)	\$2,350.	\$2,585.	\$2,702.	\$2,821.	\$4,040.	\$4,646.	\$6,039.
	For 27" D Desks	12"	27 ⁷ / ₈ "	49"	YSFCDR4927 (JL)	2,407.	2,648.	2,768.	2,888.	4,137.	4,758.	6,185.
	For 30" D Desks	12"	29 ⁷ / ₈ "	49"	YSFCDR4930 (JL)	2,462.	2,710.	2,832.	2,955.	4,234.	4,870.	6,330.
	For 36" D Desks	12"	35 ⁷ / ₈ "	49"	YSFCDR4936 (JL)	2,519.	2,770.	2,897.	3,022.	4,231.	4,981.	6,476.



Personal Desk-End Cabinets, with Hinged Door (Hinged on Right)	For 24" D Desks	12"	24 ⁷ / ₈ "	49"	YSFCDER4924 (JL)	2,437.	2,682.	2,804.	2,926.	4,218.	4,850.	6,305.
--	-----------------	-----	----------------------------------	-----	-------------------------	--------	--------	--------	--------	--------	--------	--------



Ordering Information	Order Code	Included With	Options
Personal Desk-End Cabinets 1. Pattern Number 2. Case/Shelves Finish 3. Door Finish 4. Pull Type 5. Pull Finish 6. Bracket Paint Finish	Personal Desk-End Cabinets <i>Example:</i> YSFCDEL4924LL, 118, 118, E, 118T, 118T YSFCDE Personal Desk-End Cabinets L Left Hinged Door 49 Height 24 Depth L Laminate L Lock 118 Bright White Laminate 118 Bright White Laminate E Edge Pull 118T Bright White Paint 118T Bright White Paint	Personal Desk-End Cabinets with Shelves and Door Hardware (3) Adjustable Shelves Coat Hooks Personal Desk-End Cabinets with Hinged Door Hardware (3) Adjustable Shelves	Personal Desk-End Cabinets Case Finish Options: (L) = All the same laminate for the exterior case/shelves and door front (M) = Laminate exterior case/shelves and veneer door front (V) = All the same veneer for the exterior case/shelves and door front Lock Options: To specify a personal desk-end cabinet without a lock, replace the "L" suffix in the pattern number with an "N". Door Pull Options: (E) = Edge Pull (I) = Insert Pull (O) = Loop Pull

See planning guide page for door pull finish options.

Shared Desk-End Cabinets

Desk-end cabinets are space-efficient storage designed to provide enclosure at the end of a desk. Shared desk-end cabinets include brackets to secure side of cabinet to adjacent desk for stability.

Shared desk-end cabinets include a center partition dividing the depth of the cabinet, with openings in the front and back.

Open shared end cabinet includes three adjustable shelves on each side of the partition.

Open shared desk-end cabinets are 49"H, 12"W, and available in 24", 27", 30" and 36" depths.

Enclosed shared desk-end cabinets provide shared coat storage, and include a hinged door and a coat hook on each side. Specify shelves for one or both sides separately.

Adjustable shelf sets are available in sets of three, corresponding to the depth of the cabinet.

Enclosed shared desk-end cabinets are 49"H, 12"W, and available in 27", 30" and 36" depths.

Shared desk-end cabinets can be specified in any core laminate or veneer for case, shelves and door.

Enclosed desk-end cabinets can also be specified in laminate with contrasting laminate or veneer doors.

Construction

Desk-end cabinets are composed of ¾" MDF panels joined in discreet, glue-and-dowel construction.

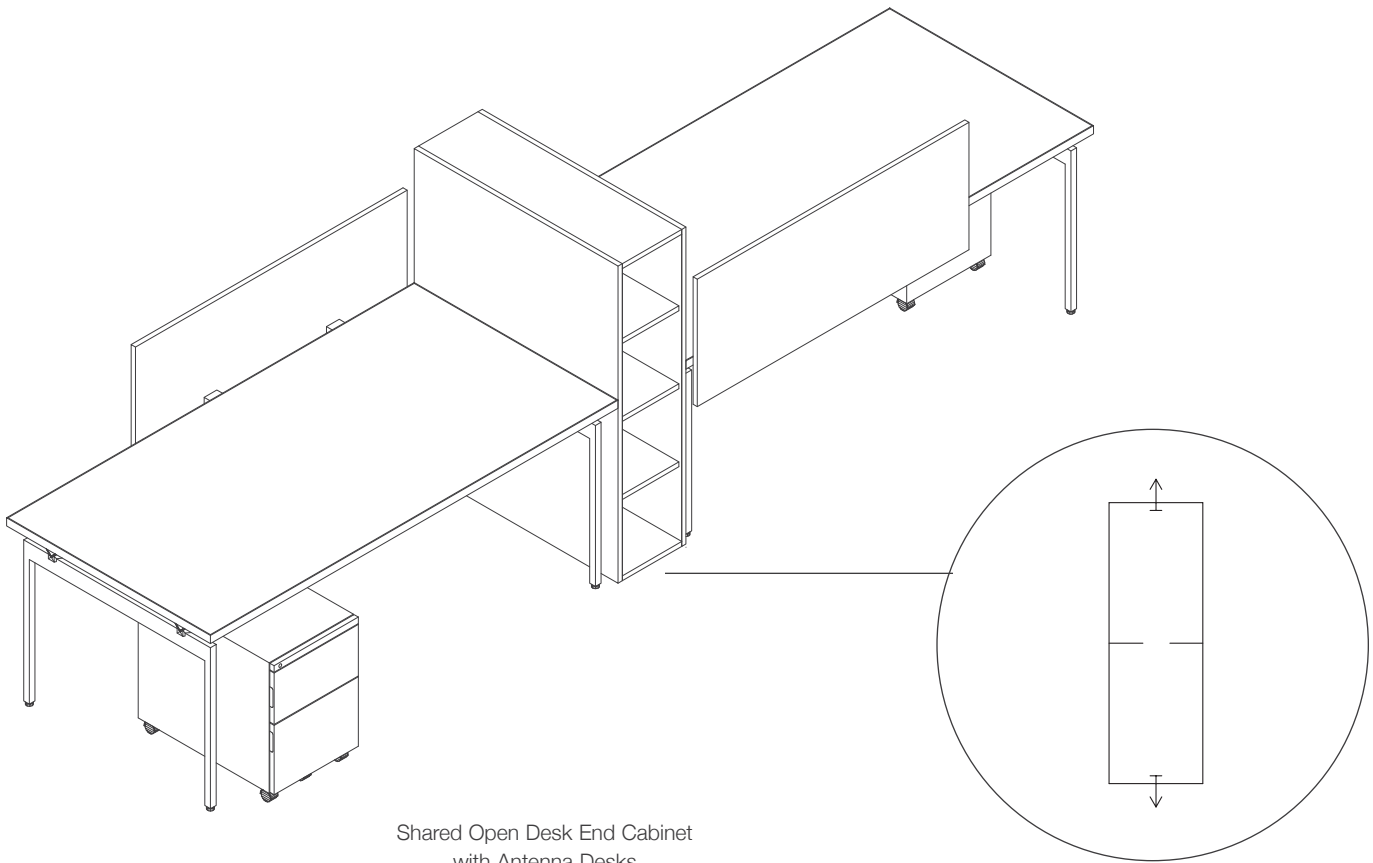
Specification Options

Specify laminate (L), "mixed" two-tone laminate or laminate case with veneer front (M) or veneer (V) case. Cabinets are available either locking (L) or non-locking (N).

Case finish exterior is available in any Knoll Core laminate or veneer. When case exterior is specified laminate, specify drawer front finish in any Knoll Core laminate (L) or veneer (V).

Specify pull type: Edge (E), Insert (I) or Loop (O). Edge pulls are available in any Knoll Core paint finish, Dark Red, Slate Blue or in Chrome (PD). Loop pulls are available in any Knoll Core paint finish, Dark Red or Slate Blue. Insert pulls are available in Chrome (PD).

Brackets may be specified in any Knoll Core paint finish, Dark Red or Slate Blue.



Shared Open Desk End Cabinet with Antenna Desks

Shared Desk End Cabinet

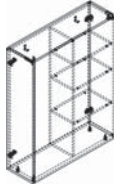
Floorstanding Shared Desk-End Cabinets

49" High

description	type	w	d	h	pattern no.	All Same	Laminate	Laminate	Laminate	All V1	All V2	All V3
						Laminate (L)	Case w/ V1 Fronts (M)	Case w/ V2 Fronts (M)	Case w/ V3 Fronts (M)			
Shared Desk-End Cabinets, Open Front and Back with Shelves	For 24" Deep Desks	12"	24"	49"	YSFCDO4924()	\$2,071.	n/a	n/a	n/a	\$3,406.	\$3,917.	\$5,093.
	For 27" Deep Desks	12"	27"	49"	YSFCDO4927()	2,127.	n/a	n/a	n/a	3,503.	4,029.	5,238.
	For 30" Deep Desks	12"	30"	49"	YSFCDO4930()	2,183.	n/a	n/a	n/a	3,602.	4,142.	5,384.
	For 36" Deep Desks	12"	36"	49"	YSFCDO4936()	2,239.	n/a	n/a	n/a	3,698.	4,254.	5,529.



Shared Desk-End Cabinets, Enclosed Hinged Door Front and Back	For 27" Deep Desks	12"	28 ⁷ / ₈ "	49"	YSFCDE4927()L	2,422.	2,664.	2,785.	2,907.	3,996.	4,595.	5,975.
	For 30" Deep Desks	12"	31 ⁷ / ₈ "	49"	YSFCDE4930()L	2,456.	2,700.	2,825.	2,948.	4,052.	4,660.	6,058.
	For 36" Deep Desks	12"	37 ⁷ / ₈ "	49"	YSFCDE4936()L	2,540.	2,795.	2,920.	3,048.	4,190.	4,819.	6,265.



Ordering Information	Order Code	Included With	Options
Shared Desk-End Cabinets 1. Pattern Number 2. Case/Shelves Finish 3. Door Finish 4. Pull Type 5. Pull Finish 6. Bracket Paint Finish	Shared Desk-End Cabinets <i>Example:</i> YSFCDE4930LL, 118, 118, E, 118T, 118T YSFCDE Shared Desk-End Cabinets 49 Height 30 Depth L Laminate L Lock 118 Bright White Laminate 118 Bright White Laminate E Edge Pull 118T Bright White Paint 118T Bright White Paint	Shared Desk-End Cabinets, Open Front and Back Hardware (6) Adjustable Shelves Shared Desk-End Cabinets, Enclosed Hinged Door Front and Back Hardware (2) Coat Hooks Shelves for one or both sides are specified separately Shelves (3) Shelves Hardware	Shared Desk-End Cabinets Case/Shelf Finish Options: (L) = All the same laminate for the exterior case/shelves and door front (M) = Laminate exterior case/shelves and veneer door front (V) = All the same veneer for the exterior case/shelves and door front Lock Options: To specify a shared desk-end cabinet without a lock, replace the "L" suffix in the pattern number with an "N". Door Pull Options: (E) = Edge Pull (I) = Insert Pull (O) = Loop Pull

See planning guide page for door pull finish options.

Floorstanding Desk-End Cabinet Accessories

Adjustable Shelf Set and Coat Hook

description	type	w	d	h	pattern no.	list	All Same	Laminate	Laminate	Laminate	All V1	All V2	All V3
							Laminate	Case w/	Case w/	Case w/			
Adjustable Shelf Set for Shared Desk-End Cabinets, Enclosed Hinged Door Front and Back	For 27" Deep Desks	10"	12 1/2"	3/4"	YSFCDASK27()	n/a	\$456.	n/a	n/a	n/a	\$887.	\$1,019.	\$1,326.
	For 30" Deep Desks	10"	13"	3/4"	YSFCDASK30()	n/a	460.	n/a	n/a	n/a	892.	1,025.	1,333.
	For 36" Deep Desks	10"	16"	3/4"	YSFCDASK36()	n/a	470.	n/a	n/a	n/a	909.	1,045.	1,359.



Coat hook					YSCH	22.	n/a	n/a	n/a	n/a	n/a	n/a	n/a
-----------	--	--	--	--	-------------	-----	-----	-----	-----	-----	-----	-----	-----



Ordering Information	Order Code	Included With	Options
Shelves	Shelves	Shelves	Shelves
1. Pattern Number	<i>Example:</i> YSFCDASK30L, 118	(3) Shelves	Coat Hook
2. Surface Finish	YSFCDA Shelves	Hardware	
Coat Hook	SK	Coat Hook	
1. Pattern Number	30 Depth	Hardware	
	L Laminate		
	118 Bright White Laminate		
	Coat Hook		
	<i>Example:</i> YSCH		
	YSCH Coat Hook		

Floorstanding L and Wardrobe Cabinets

Planning Guidelines and Specifications

Floorstanding L cabinets

L cabinets are unique L-shape storage designed to provide definition and privacy for the individual workspace. L cabinets are freestanding.

L cabinets are 49"H, 24"W x 24"D, overall with a 12" wide, 12"D surround for shelves opening to the inside of the L, and a 12"W, 24"D coat storage area with a coat bar and door.

L cabinets can be specified in any core laminate or veneer for case, shelves and door.

L cabinets can also be specified in laminate with contrasting laminate or veneer doors.

Cabinets with wardrobe and door hinge on left are considered left handed; those with wardrobe and door hinge on right are considered right handed.

Wardrobes

Wardrobes are available for personal coat storage within a workspace. Single door 18" wide wardrobes come with a coat hook and 36" wide double door units come with a coat rod. Wardrobes are 19" deep and 67" high. Wardrobes can be specified in any core laminate or veneer for case, shelves and door. Wardrobes can also be specified in laminate with contrasting laminate or veneer doors. 36" wide wardrobes open using a touch latch.

Construction

Floorstanding L cabinets and wardrobes cabinets are composed of ¾" MDF panels joined in discreet, glue-and-dowel construction.

Doors open 135 degrees for easy access.

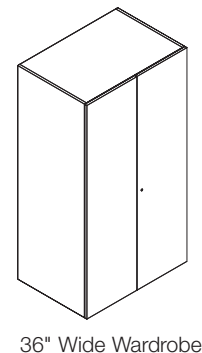
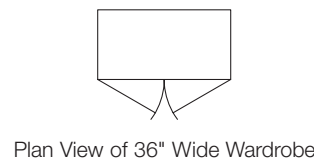
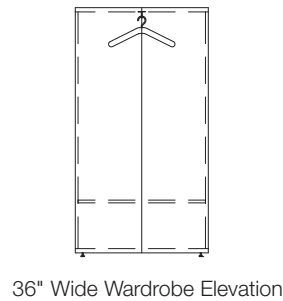
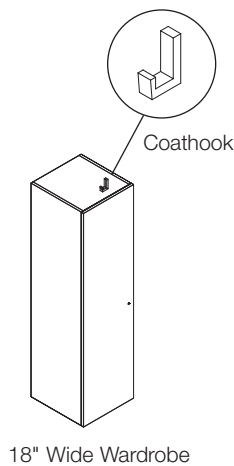
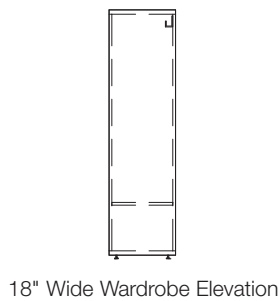
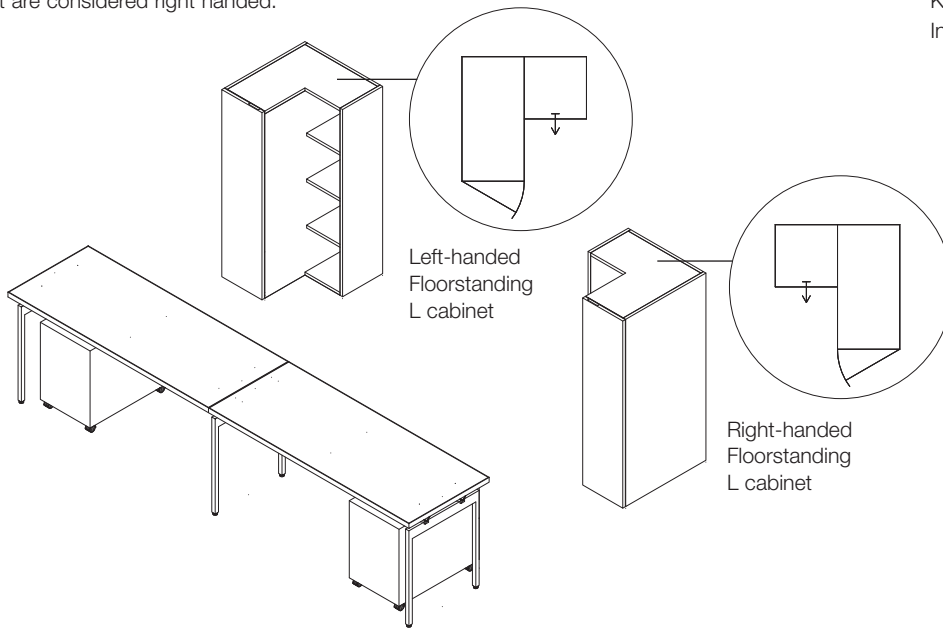
Cabinets include levelers with 1 ½" travel.

Specification Options

Specify laminate (L), "mixed" two-tone laminate or laminate case with veneer front (M) or veneer (V) case. Cabinets are available either locking (L) or non-locking (N).

Case finish exterior is available in any Knoll Core laminate or veneer. When case exterior is specified laminate, specify drawer front finish in any Knoll Core laminate (L) or veneer (V).

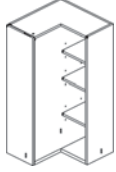
Specify pull type: Edge (E), Insert (I) or Loop (O). Edge pulls are available in any Knoll Core paint finish, Dark Red, Slate Blue or in Chrome (PD). Loop pulls are available in any Knoll Core paint finish, Dark Red or Slate Blue. Insert pulls are available in Chrome (PD).



Floorstanding L and Wardrobe Cabinets

49" and 67" High

description	type	w	d	h	pattern no.	All Same	Laminate	Laminate	Laminate	All V1	All V2	All V3
						Laminate (L)	Case w/ V1 Fronts (M)	Case w/ V2 Fronts (M)	Case w/ V3 Fronts (M)			
L Cabinet	Door on Left	12"	23 ³ / ₄ "	49"	YSFCWL4924()L	\$3,079.	\$3,387.	\$3,541.	\$3,694.	\$5,457.	\$6,275.	\$8,158.
	Door on Right	12"	23 ³ / ₄ "	49"	YSFCWR4924()L	3,079.	3,387.	3,541.	3,694.	5,457.	6,275.	8,158.

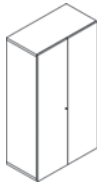


(Left Shown)

18" Wide Wardrobe	Hinged on Left	18"	18 ⁷ / ₈ "	67"	YSFCWL6718()L	2,183.	2,400.	2,511.	2,620.	3,503.	4,029.	5,238.
	Hinged on Right	18"	18 ⁷ / ₈ "	67"	YSFCWR6718()L	2,183.	2,400.	2,511.	2,620.	3,503.	4,029.	5,238.



36" Wide Wardrobe	Double Doors	36"	18 ⁷ / ₈ "	67"	YSFCWD6736()L	2,799.	3,079.	3,218.	3,359.	4,672.	5,373.	6,984.
-------------------	--------------	-----	----------------------------------	-----	-----------------------	--------	--------	--------	--------	--------	--------	--------



Ordering Information

L Cabinets

1. Pattern Number
2. Case/Shelves Finish
3. Door Finish
4. Pull Type
5. Pull Finish

Wardrobes

1. Pattern Number
2. Case Finish
3. Door Finish
4. Pull Type
5. Pull Finish

Order Code

L Cabinets

Example: YSFCWL4924LL, 118, 118, E, 118T

YSFCW	L Cabinets
L	Door on Left
49	Height
24	Depth
L	Laminate
L	Lock
118	Bright White Laminate
118	Bright White Laminate
E	Edge Pull
118T	Bright White Paint

Included With

L Cabinets

Coat bar

18" Wide Wardrobes

Coat Hook

36" Wide Wardrobes

Coat Rod

Options

L Cabinets and Wardrobes

Finish Options:

(L) = All the same laminate for the exterior case/shelves and door front
 (M) = Laminate exterior case/shelves and veneer door front
 (V) = All the same veneer for the exterior case/shelves and door front

Lock Options:

To specify an L cabinet without a lock, replace the "L" suffix in the pattern number with an "N".

Door Pull Options:

(E) = Edge Pull
 (I) = Insert Pull
 (O) = Loop Pull

See planning guide page for door pull finish options.

Floorstanding File Cabinets

Planning Guidelines and Specifications

File cabinets provide filing space for individual or group workspaces. Finished on all sides, file cabinets are freestanding and are applicable in private offices, as credenza storage or along a storage wall.

File cabinets are 36" wide, 19" deep and available in six horizons to align with other floorstanding cabinets and critical Antenna heights:

- 25"H cabinet, with 6"H shelf or personal drawer over one file, aligns with Antenna desk legs and can support one end of an Antenna desk.
- 28"H cabinet, with 12"H shelf or file drawer over one file drawer, aligns with Antenna desk height.
- 42"H cabinet, with 12"H shelf over two files, aligns with Antenna screens to 42"H horizon.
- 49"H cabinet, with 6" and 12"H shelves over two files, aligns with screens to 49"H horizon.

- 56"H cabinet, with two 12"H shelves over two files.
- 67"H cabinet, with one 11 1/2"H and two 12"H shelves, which can align with an open or enclosed cabinet, wall mounted 24" above desk height.

Desk support adapters must be specified separately for desk support applications. Counterweight/ballast kits should be specified for file cabinets in applications that are not connected to a desk or other storage cabinets.

The upper shelf in 49" and 56"H cabinets and the two upper shelves in 67"H cabinets can be adjusted in height. File drawers are sized for side-to-side, suspended letter-depth or legal-depth file folders.

Construction

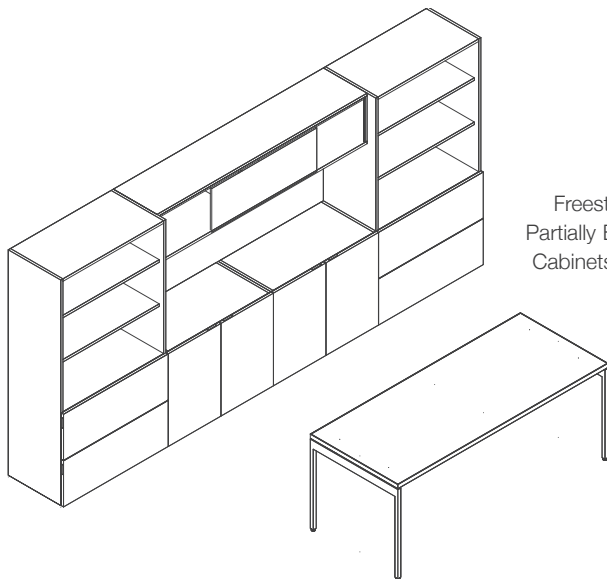
Floorstanding cabinets are composed of 3/4" MDF panels joined in discreet, glue-and-dowel construction, with a 1-1/4"H base for stability.

Floorstanding cabinets include levelers with 1-1/2" travel.

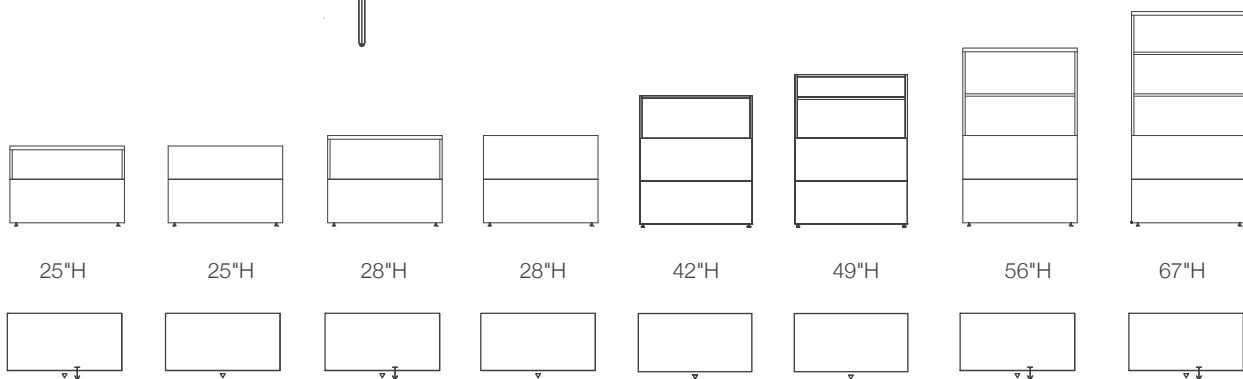
Drawer bodies are black painted steel construction, 33"W x 16"D, with full extension, ball bearing drawer slides. Each drawer also includes a side-to-side letter filing support, 33"W, and two front-to-back supports for letter or legal-width suspended filing.

Specification Options

Specify laminate (L), "mixed" twotone laminate or laminate case with veneer front (M) or veneer (V) case. File cabinets are always locking. Case finish exterior is available in any Knoll Core laminate or veneer. When case exterior is specified in laminate, specify drawer front finish in any Knoll Core laminate (L) or veneer (V). Specify pull type: Edge (E), Insert (I) or Loop (O). Edge pulls are available in any Knoll Core paint finish, Dark Red, Slate Blue or in Chrome (PD). Loop pulls are available in any Knoll Core paint finish, Dark Red or Slate Blue. Insert pulls are available in Chrome (PD).



Freestanding Private Office with Partially Enclosed Cabinets, Enclosed Cabinets and Wall Mounted Cabinet



File Cabinet Heights

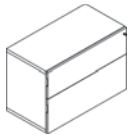
Floorstanding File Cabinets

25", 28", 42", 49", 56" and 67" High

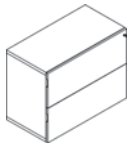
description	w	d	h	pattern no.	list	All Same	Laminate	Laminate	Laminate	All V1	All V2	All V3
						Laminate	Case w/	Case w/	Case w/			
						(L)	V1 Fronts	V2 Fronts	V3 Fronts	(V)	(V)	(V)
Partially Enclosed Shelf Cabinets with Open Shelves Above and Drawers Below (56" high shown)	36"	18 ⁷ / ₈ "	42"	YSFCOFF4236()L	\$3,079.	\$3,455.	\$3,541.	\$3,694.	\$4,668.	\$5,261.	\$6,839.	
	36"	18 ⁷ / ₈ "	49"	YSFCOFF4936()L	3,246.	3,642.	3,733.	3,895.	4,964.	5,597.	7,276.	
	36"	18 ⁷ / ₈ "	56"	YSFCOFF5636()L	3,414.	3,831.	3,927.	4,098.	5,261.	5,933.	7,713.	
	36"	18 ⁷ / ₈ "	67"	YSFCOFF6736()L	3,582.	4,019.	4,119.	4,298.	5,560.	6,268.	8,149.	



Enclosed Box/File Cabinet	36"	18 ⁷ / ₈ "	25"	YSFCBF2536()L	2,519.	2,825.	2,897.	3,022.	3,772.	4,254.	5,529.
---------------------------	-----	----------------------------------	-----	-----------------------	--------	--------	--------	--------	--------	--------	--------



Enclosed File/File Cabinet	36"	18 ⁷ / ₈ "	28"	YSFCFF2836()L	2,574.	2,889.	2,960.	3,089.	3,872.	4,366.	5,675.
----------------------------	-----	----------------------------------	-----	-----------------------	--------	--------	--------	--------	--------	--------	--------



Partially Enclosed File Cabinet (25" high shown)	36"	18 ⁷ / ₈ "	25"	YSFCOF2536()L	2,350.	2,637.	2,702.	2,821.	3,474.	3,917.	5,093.
	36"	18 ⁷ / ₈ "	28"	YSFCOF2836()L	2,407.	2,701.	2,768.	2,888.	3,573.	4,029.	5,238.



Ordering Information	Order Code	Included With	Options
Floorstanding File Cabinets	Floorstanding File Cabinets	Floorstanding File Cabinets	Floorstanding File Cabinets
1. Pattern Number	<i>Example:</i> YSFCFF2836LL, 118, 118, E, 118T	Levelling glides	Finish Options:
2. Case Finish	YSFCFF Enclosed File Cabinets	File bars	(L) = All the same laminate for the exterior case/shelves and door front
3. Door Finish	28 Height		(M) = Laminate exterior case/shelves and veneer door front
4. Pull Type	36 Width		(V) = All the same veneer for the exterior case/shelves and door front
5. Pull Finish	L Laminate		Lock Options:
	L Lock		To specify an enclosed shelf cabinet without a lock, replace the "L" suffix in the pattern number with an "N".
	118 Bright White Laminate		Door Pull Options:
	118 Bright White Laminate		(E) = Edge Pull
	E Edge Pull		(I) = Insert Pull
	118T Bright White Paint		(O) = Loop Pull

See planning guide page for door pull finish options.

Floorstanding File Cabinets

25", 28", 42", 49", 56" and 67" High

description	w	d	h	pattern no.	list	All Same Laminate (L)	Laminate Case w/ V1 Fronts (M)	Laminate Case w/ V2 Fronts (M)	Laminate Case w/ V3 Fronts (M)	All V1 (V)	All V2 (V)	All V3 (V)
File Cabinet Ballast/Counterweight				YSFWB36	\$376.							

Ordering Information	Order Code	Included With	Options
Floorstanding File Cabinets 1. Pattern Number 2. Case Finish 3. Door Finish 4. Pull Type 5. Pull Finish	Floorstanding File Cabinets <i>Example:</i> YSFCFF2836LL, 118, 118, E, 118T <hr/> YSFCFF Enclosed File Cabinets <hr/> 28 Height <hr/> 36 Width <hr/> L Laminate <hr/> L Lock <hr/> 118 Bright White Laminate <hr/> 118 Bright White Laminate <hr/> E Edge Pull <hr/> 118T Bright White Paint	Floorstanding File Cabinets Levelling glides File bars	Floorstanding File Cabinets Finish Options: (L) = All the same laminate for the exterior case/shelves and door front (M) = Laminate exterior case/shelves and veneer door front (V) = All the same veneer for the exterior case/shelves and door front Lock Options: To specify an enclosed shelf cabinet without a lock, replace the "L" suffix in the pattern number with an "N". Door Pull Options: (E) = Edge Pull (I) = Insert Pull (O) = Loop Pull See planning guide page for door pull finish options.

Enclosed Shelf Cabinets

Floorstanding shelf cabinets are designed to provide space definition and privacy for group workspaces. Shelf cabinets are finished on all sides.

Shelf cabinets are freestanding and applicable in private offices as credenza or storage wall.

Each shelf cabinet is 36" wide and 18" deep overall, and available in 25", 28", 42", 49" and 56" horizons.

All cabinets have two full-height doors. 56"H floorstanding cabinet units are also available with four doors, split at the center to align with adjacent 28"H cabinets or desk height.

25" and 28" high cabinets are also available with a partially open back for wire management access through the back of the cabinet.

A 6" opening starts 12" above the ground providing access above and below the shelf.

Construction

Floorstanding cabinets are composed of ¾" MDF panels joined in discreet, glue-and-dowel construction, with a 1 ¼"H base for stability.

Hinged doors open 135 degrees for easy access.

Floorstanding cabinets include levelers with 1 ½" travel.

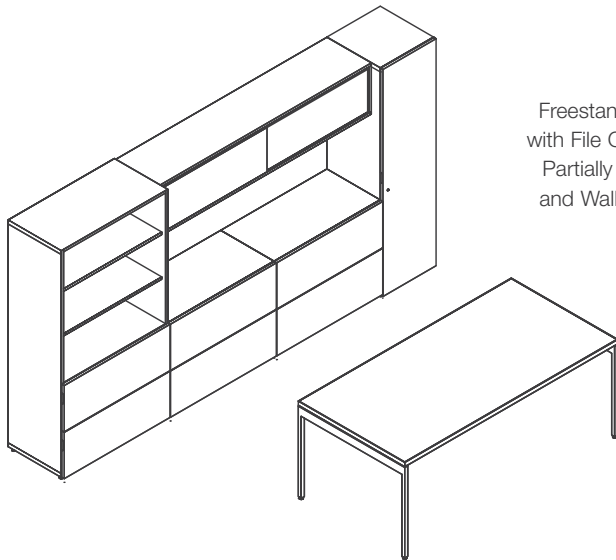
Specification Options

Shelf cabinets can be specified in any core laminate or veneer for case, shelves and doors. Shelf cabinets can also be specified in laminate with contrasting laminate or veneer doors.

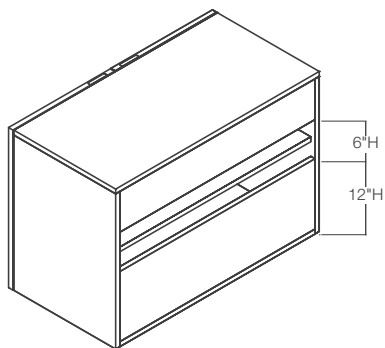
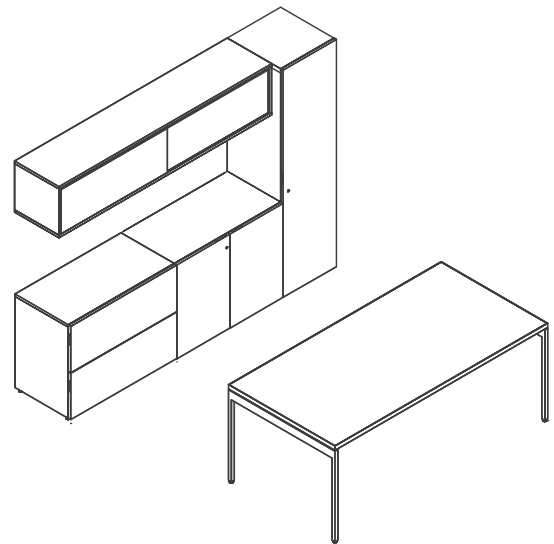
Specify laminate (L), "mixed" two-tone laminate or laminate case with veneer front (M) or veneer (V) case. Cabinets are available either locking (L) or non-locking (N).

Case finish exterior is available in any Knoll Core laminate or veneer. When case exterior is specified laminate, specify drawer front finish in any Knoll Core laminate (L) or veneer (V).

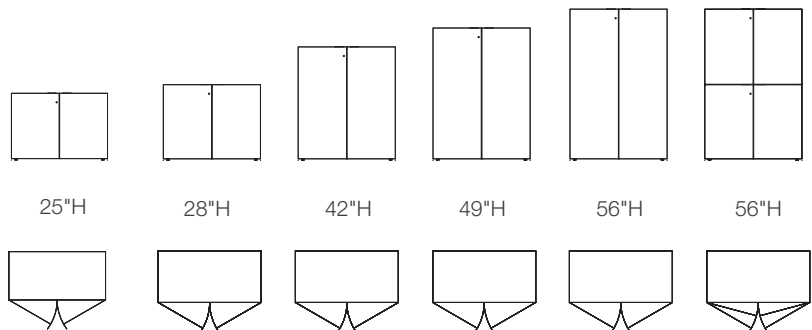
Specify pull type: Edge (E), Insert (I) or Loop (O). Edge pulls are available in any Knoll Core paint finish, Dark Red, Slate Blue or in Chrome (PD). Loop pulls are available in any Knoll Core paint finish, Dark Red or Slate Blue. Insert pulls are available in Chrome (PD).



Freestanding Private Office with File Cabinets, Wardrobe, Partially Enclosed Cabinet and Wall Mounted Cabinet



25" High Enclosed Shelf Cabinet with Hinged Doors, Partially Open Back



Enclosed Shelf and File Cabinet Heights

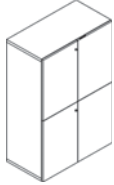
Floorstanding Enclosed Shelf Cabinets

25", 28", 42", 49" and 56" High

Antenna Workspaces

description	w	d	h	pattern no.	list	All Same	Laminate	Laminate	Laminate	All V1	All V2	All V3
						Laminate (L)	Case w/ V1 Fronts (M)	Case w/ V2 Fronts (M)	Case w/ V3 Fronts (M)			

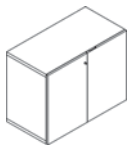
Enclosed Shelf Cabinet with Four Doors	36"	18 ⁷ / ₈ "	56"	YSFC4D5636()L	n/a	\$3,359.	\$3,768.	\$3,863.	\$4,029.	\$6,056.	\$6,828.	\$8,876.
--	-----	----------------------------------	-----	-----------------------	-----	----------	----------	----------	----------	----------	----------	----------



Enclosed Shelf Cabinets with Two Doors (56" high shown)	36"	18 ⁷ / ₈ "	25"	YSFC2D2536()L	n/a	2,015.	2,216.	2,317.	2,418.	3,602.	4,142.	5,384.
	36"	18 ⁷ / ₈ "	28"	YSFC2D2836()L	n/a	2,071.	2,278.	2,383.	2,485.	3,698.	4,254.	5,529.
	36"	18 ⁷ / ₈ "	42"	YSFC2D4236()L	n/a	2,350.	2,585.	2,702.	2,821.	4,283.	4,926.	6,404.
	36"	18 ⁷ / ₈ "	49"	YSFC2D4936()L	n/a	2,743.	3,017.	3,155.	3,290.	4,964.	5,709.	7,421.
	36"	18 ⁷ / ₈ "	56"	YSFC2D5636()L	n/a	3,022.	3,324.	3,476.	3,627.	5,451.	6,268.	8,149.



Enclosed Shelf Cabinets with Two Doors and Partially Open Back (28" high shown)	36"	18 ⁷ / ₈ "	25"	YSFC2D02536()	n/a	2,015.	2,216.	2,317.	2,418.	3,602.	4,142.	5,384.
	36"	18 ⁷ / ₈ "	28"	YSFC2D02836()	n/a	2,071.	2,278.	2,383.	2,485.	3,698.	4,254.	5,529.



Ordering Information	Order Code	Included With	Options
Enclosed Shelf Cabinets	Enclosed Shelf Cabinets	Enclosed Shelf Cabinets	Enclosed Shelf Cabinets
1. Pattern Number	<i>Example:</i> YSFC2D4936LL, 118,	Shelves	Finish Options:
2. Case/Shelves Finish	118, 118, E, 118T	Levelling glides	(L) = All the same laminate for the exterior case/shelves and door front
3. Door Finish	YSFC Enclosed Shelf Cabinets		(M) = Laminate exterior case/shelves and veneer door front
4. Pull Type	2D Two Doors		(V) = All the same veneer for the exterior case/shelves and door front
5. Pull Finish	49 Height		Lock Options:
	36 Width		To specify an enclosed shelf cabinet without a lock, replace the "L" suffix in the pattern number with an "N".
	L Laminate		Door Pull Options:
	L Lock		(E) = Edge Pull
	118 Bright White Laminate		(I) = Insert Pull
	118 Bright White Laminate		(O) = Loop Pull
	E Edge Pull		See planning guide page for door pull finish options.
	118T Bright White Paint		

Partially Enclosed Cabinets

Partially enclosed cabinets are designed for storage and space definition in open plan workspaces, and can also serve as credenza or work wall in private offices and conference rooms. Partially enclosed cabinets combine partial and full 12 3/8"H binder height shelf storage with files or shelves with doors. Floorstanding cabinets are freestanding and finished on all sides.

Partially enclosed cabinets with doors are 36" wide, 19" deep and 56" high. Doors may be specified to cover the top half of the cabinet, with two open fixed binder height shelves below, or cover the bottom half of the cabinet with two fixed height open shelves above.

The upper shelf in 49"H and 56"H cabinets and the two upper shelves in 67"H cabinet can be adjusted in height.

Construction

Floorstanding cabinets are composed of 3/4" MDF panels joined in discreet, glue-and-dowel construction, with a 1 1/4"H base for stability. Floorstanding cabinets with file drawers are equipped with an interlock for stability. Hinged doors open 135 degrees for easy access. Floorstanding cabinets include levelers with 1 1/2" travel.

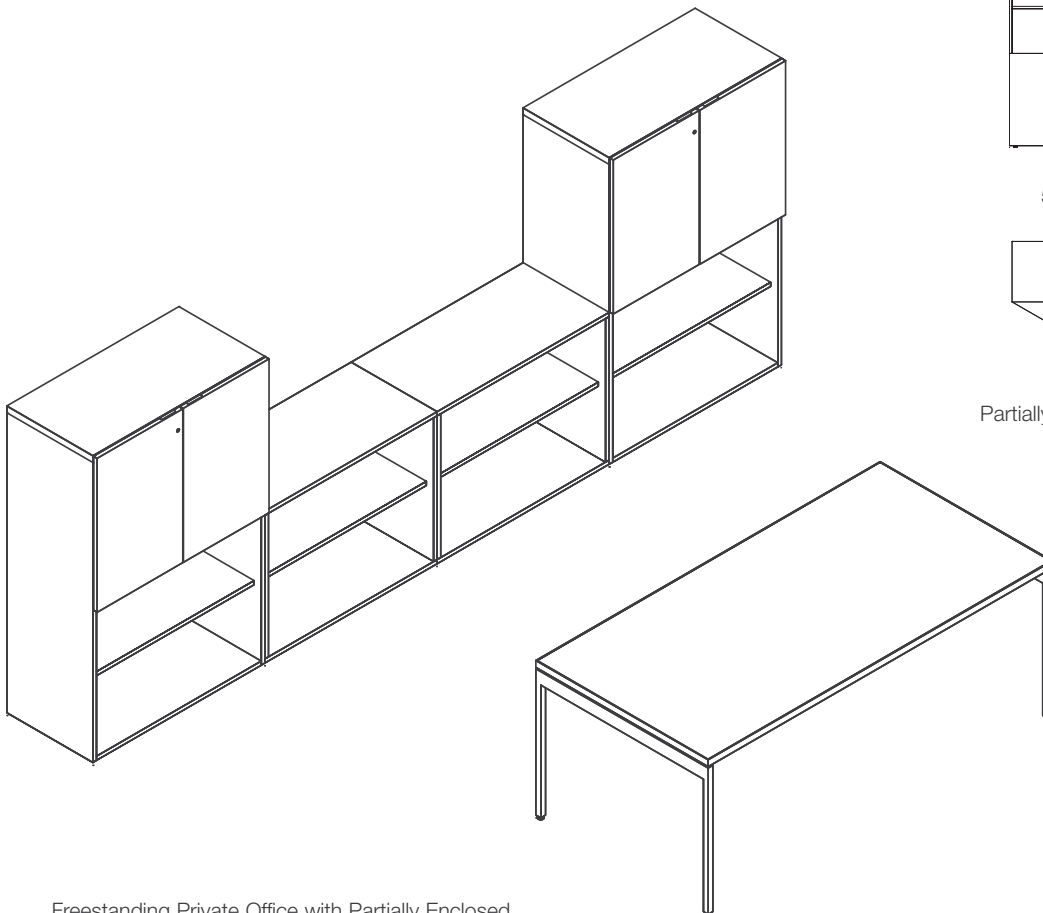
Specification Options

Specify laminate (L), "mixed" two-tone laminate or laminate case with veneer front (M) or veneer (V) case. Cabinets are available either locking (L) or non-locking (N).

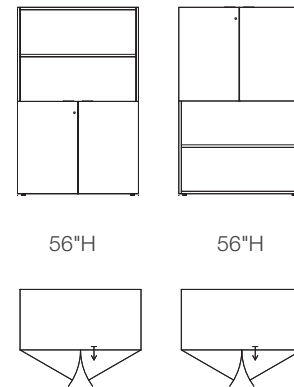
Case finish exterior is available in any Knoll Core laminate or veneer. When case exterior is specified laminate, specify drawer front finish

in any Knoll Core laminate (L) or veneer (V).

Specify pull type: Edge (E), Insert (I) or Loop (O). Edge pulls are available in any Knoll Core paint finish, Dark Red, Slate Blue or in Chrome (PD). Loop pulls are available in any Knoll Core paint finish, Dark Red or Slate Blue. Insert pulls are available in Chrome (PD).



Freestanding Private Office with Partially Enclosed Shelf Cabinets and Open Shelf Cabinets

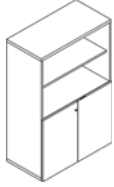


Partially Enclosed Shelf Cabinet Heights

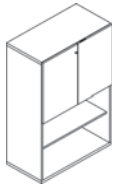
Floorstanding Partially Enclosed Shelf Cabinets

42", 49", 56" and 67" High

description	w	d	h	pattern no.	All Same	Laminate	Laminate	Laminate	All V1	All V2	All V3
					Laminate	Case w/	Case w/	Case w/			
					(L)	V1 Fronts	V2 Fronts	V3 Fronts	(V)	(V)	(V)
Partially Enclosed Shelf Cabinet with Open Shelves Above and Enclosed Shelves Below	36"	18 ⁷ / ₈ "	56"	YSFCO2D5636()L	\$2,910.	\$3,201.	\$3,347.	\$3,493.	\$5,138.	\$5,909.	\$7,682.



Partially Enclosed Shelf Cabinet with Enclosed Shelves Above and Open Shelves Below	36"	18 ⁷ / ₈ "	56"	YSFC2D05636()L	2,910.	3,201.	3,347.	3,493.	5,138.	5,909.	7,682.
---	-----	----------------------------------	-----	------------------------	--------	--------	--------	--------	--------	--------	--------



Ordering Information	Order Code	Included With	Options
Partially Enclosed Shelf Cabinets	Partially Enclosed Shelf Cabinets	Partially Enclosed Shelf Cabinets	Partially Enclosed Shelf Cabinets
1. Pattern Number	<i>Example:</i> YSFC2D4936LL, 118,	Shelves	Finish Options:
2. Case/Shelves Finish	118, 118, E, 118T	Levelling glides	(L) = All the same laminate for the exterior case/shelves and door fronts
3. Door Finish	YSFC Enclosed Shelf Cabinets	Partially Enclosed Shelf Cabinet with Drawers	(M) = Laminate exterior case/shelves and veneer door fronts
4. Pull Type	2D Two Doors	Levelling glides	(V) = All the same veneer for the exterior case/shelves and door fronts
5. Pull Finish	49 Height	Filing bars	Lock Options:
	36 Width		To specify a partially enclosed shelf cabinet without a lock, replace the "L" suffix in the pattern number with an "N".
	L Laminate		Door Pull Options:
	L Lock		(E) = Edge Pull
	118 Bright White Laminate		(I) = Insert Pull
	118 Bright White Laminate		(O) = Loop Pull
	E Edge Pull		See planning guide page for door pull finish options.
	118T Bright White Paint		

Floorstanding Open Shelf Cabinets

Planning Guidelines and Specifications

Open Shelf Cabinets

Floorstanding shelf cabinets are designed to provide space definition and privacy for group workspaces. Shelf cabinets are finished on all sides.

Shelf cabinets are freestanding and applicable in private offices as credenza or storage wall.

Each shelf cabinet is 36" wide and 18" deep overall, and available in 25", 28", 42", 49" and 56" horizons.

25" and 28" high cabinets are also available with a partially open back for wire management access through the back of the cabinet.

A 6" opening starts 12" above the ground providing access above and below the shelf.

Open shelf cabinets have fixed height shelves.

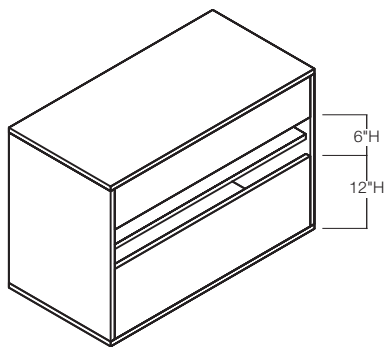
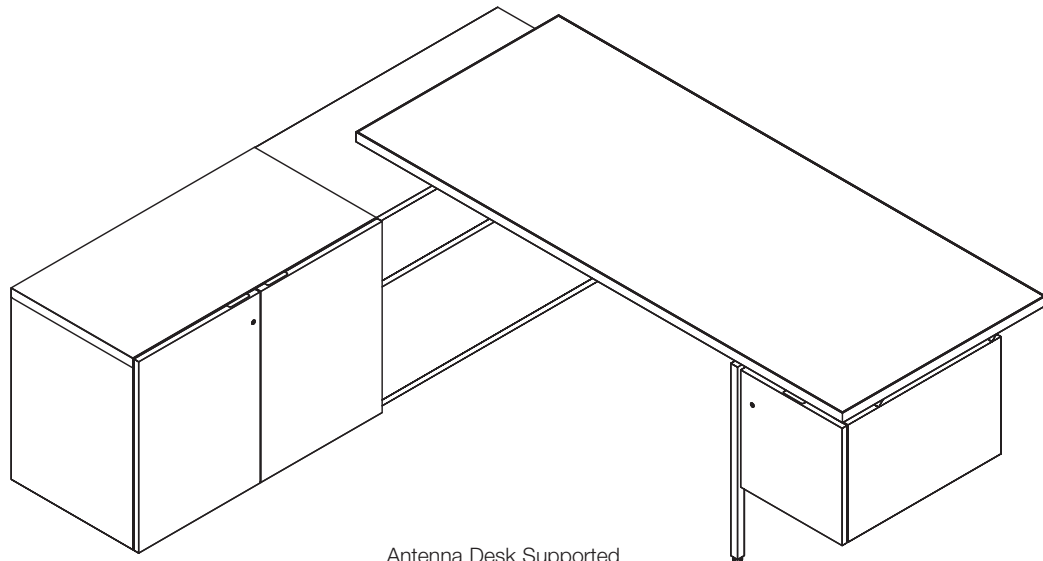
Construction

Floorstanding cabinets are composed of ¾" MDF panels joined in discreet, glue-and-dowel construction, with a 1 ¼"H base for stability.

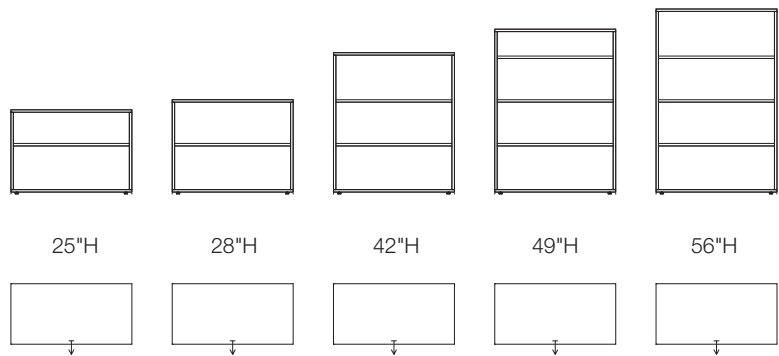
Floorstanding cabinets include levelers with 1 ½" travel.

Specification Options

Specify laminate (L) or veneer (V) case. Case finish is available in any Knoll Core laminate or veneer. When a laminate case is specified, shelves may be specified in any Knoll Core laminate (L) or veneer (V).



25" High Open Shelf Cabinet, Partially Open Back

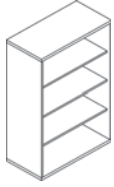


Open Shelf Cabinet Configurations

Floorstanding Open Shelf Cabinets

25", 28", 42", 49" and 56" High

description	w	d	h	pattern no.	Laminate (L)	V1 (V)	V2 (V)	V3 (V)
Open Shelf Cabinets (56" high shown)	36"	18"	25"	YSFCOS2536()	\$1,567.	\$2,687.	\$3,089.	\$4,019.
	36"	18"	28"	YSFCOS2836()	1,624.	2,799.	3,218.	4,187.
	36"	18"	42"	YSFCOS4236()	1,903.	3,246.	3,778.	4,852.
	36"	18"	49"	YSFCOS4936()	2,015.	3,582.	4,119.	5,356.
	36"	18"	56"	YSFCOS5636()	2,127.	3,806.	4,376.	5,693.



Open Shelf Cabinets with Partially Open Back (28" high shown)	36"	18"	25"	YSFCOSO2536()	1,567.	2,687.	3,089.	4,019.
	36"	18"	28"	YSFCOSO2836()	1,624.	2,799.	3,218.	4,187.



Ordering Information

Open Shelf Cabinets

1. Pattern Number
2. Case Finish
3. Shelf Finish (Laminate Only)

Order Code

Open Shelf Cabinets

Example: YSFCOS4936L, 118, 118

YSFCOS	Open Shelf Cabinets
49	Height
36	Width
L	Laminate
118	Bright White Laminate
118	Bright White Laminate

Included With

Open Shelf Cabinets
Fixed height shelves
Levelling glides

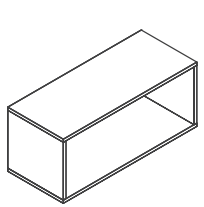
Options

Open Shelf Cabinets

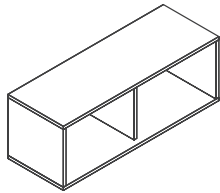
Finish Options:
(L) = Laminate
(V) = Veneer

Wood Cabinets

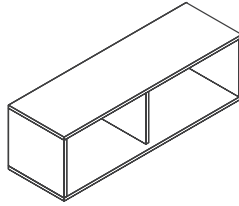
Open Shelf Cabinets



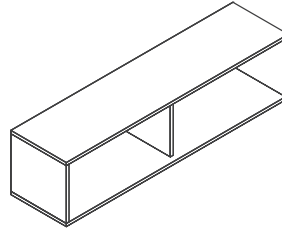
36" Wide



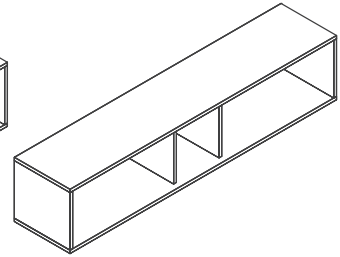
42" Wide



48" Wide

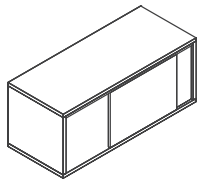


60" Wide

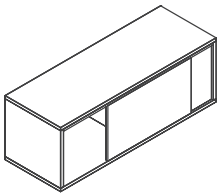


72" Wide

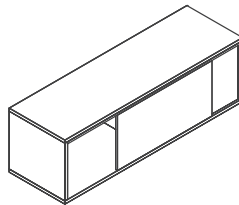
Sliding Door Cabinets



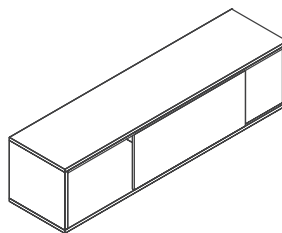
36" Wide



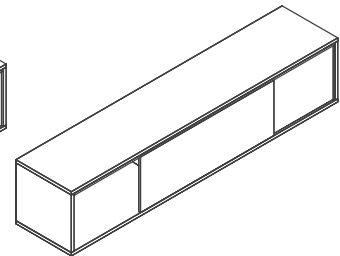
42" Wide



48" Wide



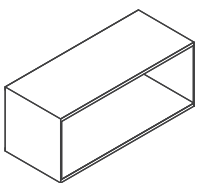
60" Wide



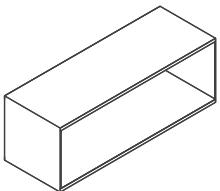
72" Wide

Metal Cabinets

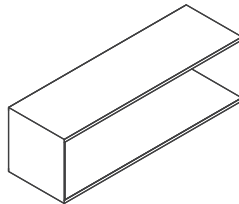
Open Front and Enclosed Back Cabinets



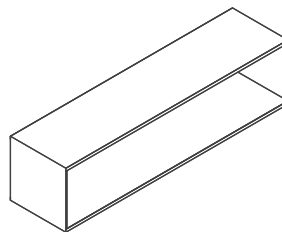
36" Wide



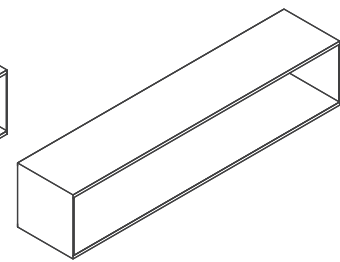
42" Wide



48" Wide

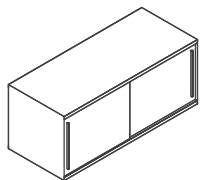


60" Wide

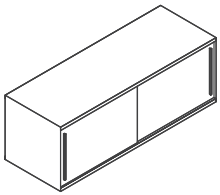


72" Wide

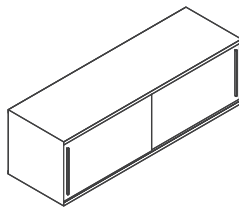
Sliding Door Cabinets



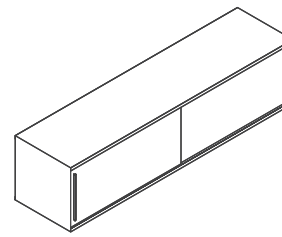
36" Wide



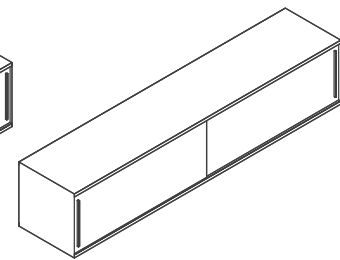
42" Wide



48" Wide



60" Wide



72" Wide

Wall Mounted Wood Cabinets

Open and Sliding Doors

Planning Guidelines and Specifications

Wall Mounted Wood Cabinets

Wall mounted wood cabinets provide binder storage within private offices or walled, group workspaces. Cabinets are available in two configurations: open front with enclosed back, or fully enclosed, with overlapping sliding doors.

Cabinets mount on slim profile aluminum cleat, included.

Open and enclosed cabinets are available in 36", 42", 48", 60" and 72" widths, with a center partition for structure. Enclosed cabinets have two half-width doors, in laminate or veneer surface.

All wall mounted cabinets are 15"H x 15"D, with 13 1/2" clear interior height for binder storage. Cabinets can be specified in laminate or veneer. Open cabinets can also be specified in a combination of core laminates for the case and contrasting core or "pop" color laminates for all interior surfaces.

Construction

Case is composed of 3/4" thick wood panels, with discreet glue-and-dowel connections.

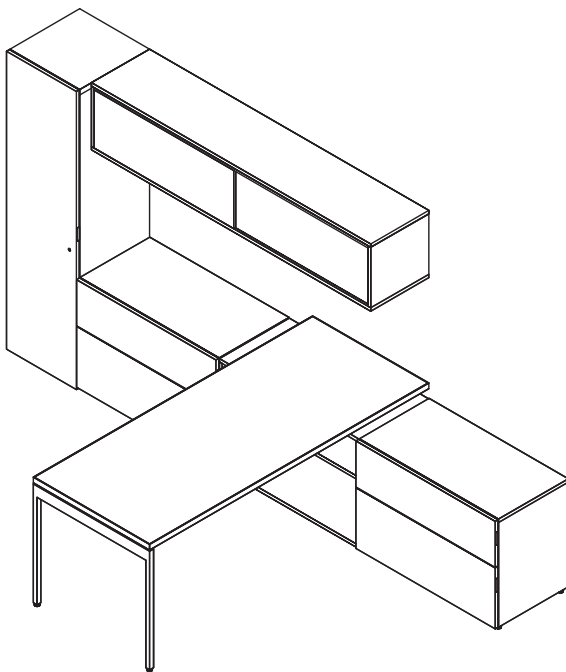
Specification Options

Specify laminate (L) or veneer (V) case.

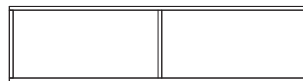
Case finish exterior is available in any Knoll Core laminate or veneer. When the case exterior is laminate, case interior is available in any Knoll Core or Accent laminate. When an Accent laminate is specified, the edgeband will match the exterior core laminate finish.

Door sets are specified separately to enable any combination of wood or laminate case and doors. Specify drawer front sets in any Knoll Core laminate (L) or veneer (V).

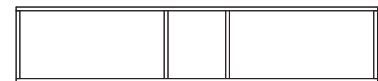
Pulls are available in any Knoll Core paint finish, Dark Red or Slate Blue.



Private Office Application with Wall Mounted Cabinet, Wardrobe and File Cabinets



60"W Open Cabinet Elevation



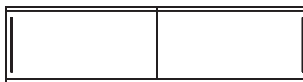
72"W Open Cabinet Elevation



60"W Open Cabinet Plan



72"W Open Cabinet Plan



60"W Sliding Door Cabinet Elevation



72"W Sliding Door Cabinet Elevation



60"W Sliding Door Cabinet Plan



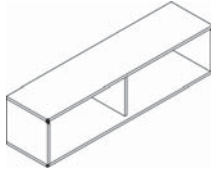
72"W Sliding Door Cabinet Plan

Wall Mounted Wood Cabinets

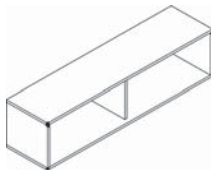
Laminate or Veneer Case

36", 42", 48", 60" or 72" Wide

description	w	d	h	pattern no.	All Same Laminate (L)	Different Laminate Case/ Interior (Core Lam.) (L)	Different Laminate Case/ Interior (Accent Lam.) (L)	V1	V2	V3
Wall Mounted Wood Cabinets, Open Front and Enclosed Back	36"	15 1/2"	15"	YSWMO3615()	\$1,359.	\$1,495.	\$1,984.	\$1,984.	\$2,282.	\$2,852.
	42"	15 1/2"	15"	YSWMO4215()	1,413.	1,555.	2,079.	2,079.	2,391.	2,989.
	48"	15 1/2"	15"	YSWMO4815()	1,468.	1,614.	2,174.	2,174.	2,500.	3,125.
	60"	15 1/2"	15"	YSWMO6015()	1,567.	1,723.	2,239.	2,239.	2,574.	3,347.
	72"	15 1/2"	15"	YSWMO7215()	1,679.	1,847.	2,519.	2,519.	2,897.	3,765.



Wall Mounted Wood Cabinets, Sliding Door Cabinet Case	36"	15 1/2"	15"	YSWMS3615()	1,630.	1,794.	2,363.	2,363.	2,717.	3,396.
	42"	15 1/2"	15"	YSWMS4215()	1,685.	1,853.	2,457.	2,457.	2,826.	3,532.
	48"	15 1/2"	15"	YSWMS4815()	1,739.	1,913.	2,551.	2,551.	2,934.	3,668.
	60"	15 1/2"	15"	YSWMS6015()	1,847.	2,031.	2,687.	2,687.	3,022.	3,795.
	72"	15 1/2"	15"	YSWMS7215()	1,959.	2,155.	2,967.	2,967.	3,345.	4,213.



Sliding Door Set for Wall Mounted Wood Cabinets	36"	3/4"	15"	YSSD3615()	549.	n/a	n/a	861.	990.	1,238.
	42"	3/4"	15"	YSSD4215()	598.	n/a	n/a	888.	1,022.	1,277.
	48"	3/4"	15"	YSSD4815()	647.	n/a	n/a	906.	1,041.	1,302.
	60"	3/4"	15"	YSSD6015()	700.	n/a	n/a	979.	1,130.	1,472.
	72"	3/4"	15"	YSSD7215()	756.	n/a	n/a	1,064.	1,220.	1,590.



Ordering Information	Order Code	Included With	Options
Wall Mounted Wood Cabinets	Wall Mounted Wood Cabinets	Wall Mounted Wood Cabinets	Wall Mounted Wood Cabinets
1. Pattern Number	<i>Example:</i> YSWMO6015L, 118, 118	Sliding Doors	Case Finish Options:
2. Exterior Case Finish	YSWMO Wall Mounted Wood Cabinets	Hardware	(L) = All the same or different laminates for the exterior and interior case
3. Interior Case Finish (Laminate only)	60 Width		(V) = All the same veneer for the exterior and interior case
Sliding Door	15 Depth		Sliding Doors
1. Pattern Number	L Laminate		Door Finish Options:
2. Door Finish	118 Bright White Laminate Exterior		(L) = Laminate
3. Pull Finish	118 Bright White Laminate Interior		(V) = Veneer
	Sliding Doors		Door pulls are available in Knoll core paints, Dark Red (130) and Slate Blue (131) paint finishes.
	<i>Example:</i> YSSD6015L, 118, E, 118T		
	YSSD Sliding Door		
	60 Width		
	15 Depth		
	L Laminate		
	118 Bright White Laminate		
	118T Bright White Paint		

Wall Mounted Metal Cabinets

Open and Sliding Doors

Planning Guidelines and Specifications

Wall Mounted Metal Cabinets

Wall mounted metal cabinets provide binder storage within private offices or walled, group workspaces. Cabinets are available in two configurations: open front with enclosed back, or fully enclosed, with overlapping sliding doors.

Cabinets mount on slim profile aluminum cleat, included.

Open and enclosed cabinets are available in 36", 42", 48", 60" and 72" widths. 60" and 72" wide open cabinets have a center partition for structure. Enclosed cabinets have two overlapping half-width painted metal doors.

All wall mounted cabinets are 15"H x 15"D, with 13 1/2" clear interior height for binder storage. Cabinets can be specified in all painted finish case and interior, with matching or contrasting doors finish.

Metal cabinets can be specified with a lock.

Construction

Cabinet top and bottom are formed to 3/4" thick, and sides are flat, heavy gauge steel.

Sliding doors are contained within perimeter frame.

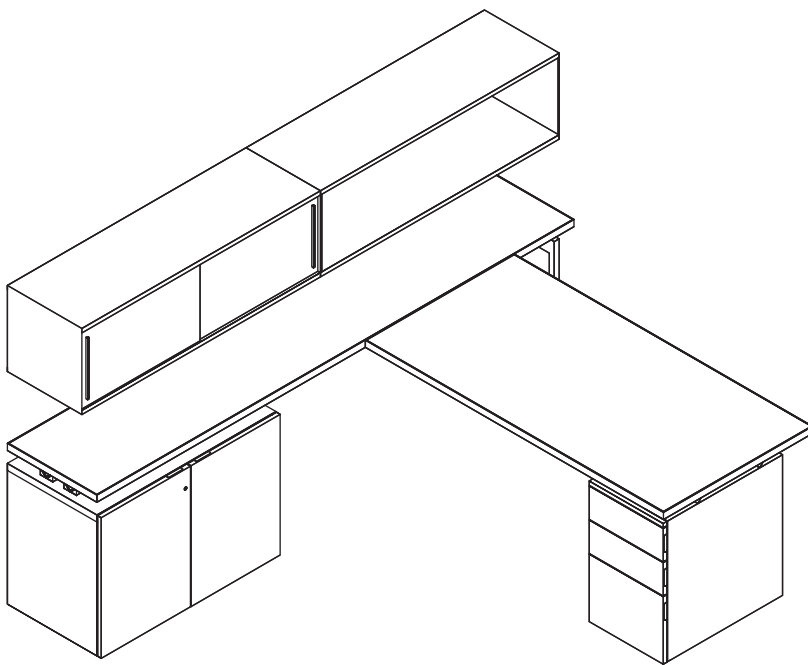
Specification Options

For open cabinets, specify case finish in any Knoll Core paint finish.

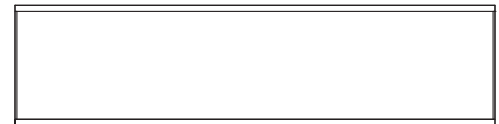
For enclosed cabinets, specify locking (L) or non-locking (N).

When different paint finishes are being selected for the case, doors or pulls, add a (Y) suffix to the pattern number. If a single paint finish is being specified for all components add an (S).

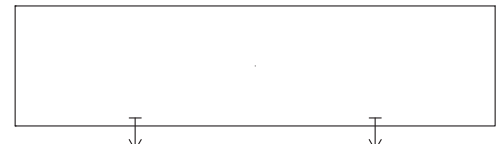
Specify case, doors and pulls in any Knoll Core paint finish.



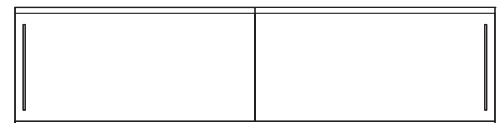
Private Office Application with Wall Mounted Metal Cabinets



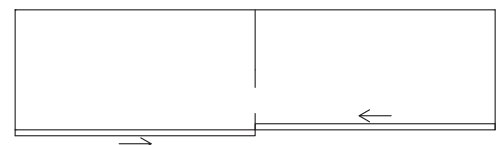
Open Cabinet Elevation



Open Cabinet Plan



Sliding Door Cabinet Elevation



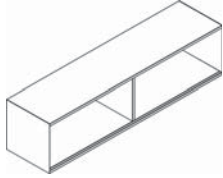
Sliding Door Cabinet Plan

Wall Mounted Metal Cabinets

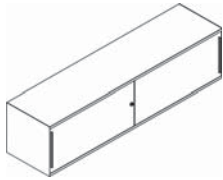
Open and Sliding Doors

36", 42", 48", 60" or 72" Wide

description	w	d	h	pattern no.	P1	P2	P3
Wall Mounted Metal Cabinets, Open Front and Enclosed Back	36"	15"	15"	YSMWMO36	\$770.	\$847.	\$886.
	42"	15"	15"	YSMWMO42	807.	888.	928.
	48"	15"	15"	YSMWMO48	857.	943.	985.
	60"	15"	15"	YSMWMO60	1,103.	1,212.	1,267.
	72"	15"	15"	YSMWMO72	1,205.	1,327.	1,386.



Wall Mounted Metal Cabinets, with Sliding Doors	36"	15"	15"	YSMWMS36L	935.	1,027.	1,072.
	42"	15"	15"	YSMWMS42L	977.	1,072.	1,121.
	48"	15"	15"	YSMWMS48L	1,031.	1,131.	1,182.
	60"	15"	15"	YSMWMS60L	1,288.	1,414.	1,477.
	72"	15"	15"	YSMWMS72L	1,403.	1,540.	1,608.



Ordering Information	Order Code	Included With	Options
Wall Mounted Metal Cabinets, Open Front 1. Pattern Number 2. Case Finish Wall Mounted Metal Cabinets with Sliding Door 1. Pattern Number 2. Paint Configuration 3. Case Finish 4. Door Finish 5. Pull Finish	Wall Mounted Open Front Metal Cabinets <i>Example:</i> YSMWMO60, 118T YSMWMO Wall Mounted Metal Cabinets 60 Width 118T Bright White Paint Wall Mounted Metal Cabinets with Sliding Door <i>Example:</i> YSMWMS60LY, 118T, 613, 118T YYSMW Wall Mounted Metal Cabinet MS Cabinet 60 Width L Lock Y Different Paint Finishes 118T Bright White Painted Case 613 Silver Painted Door 118T Bright White Painted Pull	Wall Mounted Metal Cabinets, Open Front Full width interlocking wall mount cleats Wall Mounted Metal Cabinets with Sliding Doors Full width interlocking wall mount cleats	Wall Mounted Metal Cabinets, Open Front Wall Mounted Metal Cabinets with Sliding Doors Paint Configuration Options: Add (S) or (Y) at the end of the pattern number to specify the paint configuration. (S) = Same paint finish on case and sliding door (Y) = Different paint finish on case and sliding door Lock Option: To specify a wall mounted metal cabinet with sliding doors without a lock replace the "L" suffix in the pattern number with an "N". Pull Finish Options: Door pulls are available in Knoll core paints, Dark Red (130) and Slate Blue (131) paint finishes. Add \$40 to the list price for painted door pulls.

LED Task Lights

Planning Guidelines and Specifications

LED Task Lights

LED task lights mount into the recess in the underside of metal or wood overhead cabinets at least 5" wider than the task light width. LED task lights must be ordered separately from storage cabinets.

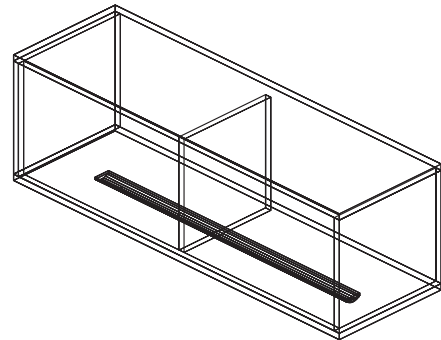
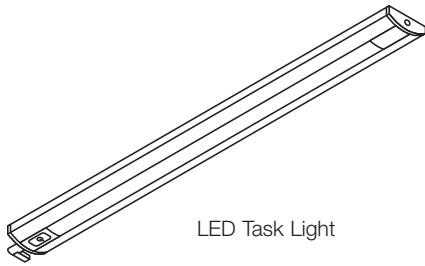
LED task lights include LED's, a power supply with 9'-12' cord and mounting hardware. The power supply cord attaches to either end of the fixture, allowing for easier access to the closest available duplex.

LED task lights are TCLP compliant and meet requirements of California Title 20 and Title 24. Task lights are approved for New York City installations.

Construction


Housings are clear anodized aluminum with white color end-caps.

Model Number	Fixture Length	Lamp Length	Lamp Watts	Input Watts
YL4L17	17"	16.4"	6.6	7.8
YL4L31	31"	30.1"	14.8	17.6
YL4L44	44"	43.7"	21.8	25.9
YL4L58	58"	57.4"	28.2	33.6



LED Task Lights

for wood and metal overhead storage

description	type	w	d	h	pattern no.	list
	For use with 24" and wider overheads (24 LED's)	17"	2"	1/2"	YL4L17	\$495.
	For use with 36" and wider overheads (48 LED's)	31"	2"	1/2"	YL4L31	825.
	For use with 48" and wider overheads (72 LED's)	44"	2"	1/2"	YL4L44	1,075.
	For use with 66" and wider overheads (96 LED's)	58"	2"	1/2"	YL4L58	1,350.

Ordering Information

LED Task Lights

1. Pattern Number

Order Code

LED Task Lights

Example: **YL4L17**

YL4	Task Light
L	LED
17	Width

Included With

LED Task Lights

LED's
Power Supply with 9' cord for 17" and 12' cord for 31", 44" and 58"
Mounting Hardware

Options

LED Task Lights

Housings are clear anodized aluminum with white color end-caps.

Power cord is able to attach to either end of fixture.

Alpha-Numeric Index

<i>pattern no.</i>	<i>page</i>	<i>pattern no.</i>	<i>page</i>	<i>pattern no.</i>	<i>page</i>	<i>pattern no.</i>	<i>page</i>
AR1EPIC	189	YAPTC	221, 226, 231	YBRE96	75	YCBCC84	88
AR1TPIC	189	YAPTQ	221, 226, 231	YBRR33	78	YCBE	88
DE18CI144	189	YBAFE25	85	YBRR36	78	YCBPE	88
DE1ECI144	189	YBAFE28	85	YBRR39	78	YCBT48	88
DE1TCI144	189	YBATBT22	85	YBRR42	78	YCBT54	88
IPBH	191	YBATBT25	85	YBRR45	78	YCBT60	88
IPCH	191	YBATE22	85	YBRR48	78	YCBT66	88
IPCS1212	191	YBATE25	85, 220	YBRR51	78	YCBT72	88
IPCT	191	YBATE28	85	YBRR54	78	YCBT78	88
IPEL	187	YBAW25	85, 224	YBRR57	78	YCBT84	88
IPESCNN47	184	YBCDE	81, 240	YBRR60	78	YELA18	96
IPEX	191	YBCRR	86	YBRR63	78	YELA24	96
IPOC12	191	YBCWS	86	YBRR66	78	YELA27	96
IPOC6	191	YBF	86	YBRR69	78	YELA30	96
IPRC18	187	YBIG	139	YBRR72	78	YELA36	96
IPRC30	187	YBPSSF2748	126	YBRR75	78	YELA42	96
IPRC42	187	YBPSSF2754	126	YBRR78	78	YELCD18	96
IPRC6	187	YBPSSF2760	126	YBRR81	78	YELCD24	96
IPRCF120	187	YBPSSF2766	126	YBRR84	78	YELCD27	96
IPRCF180	187	YBPSSF2772	126	YBRR87	78	YELCD30	96
IPRCF72	187	YBPSSF2778	126	YBRR90	78	YELCD36	96
IPRCF96	187	YBPSSF2784	126	YBRR93	78	YELCM18	96
IPRD1	187	YBRB39	79	YBRS33	74	YELCM24	96
IPRD2	187	YBRB45	79	YBRS39	74	YELCM27	96
I PROF	187	YBRB51	79	YBRS45	74	YELCM30	96
IPSC6436(N/T)CG	193	YBRB57	79	YBRS51	74	YELCM36	96
IPSC6436(N/T)GT	193	YBRB63	79	YBRS57	74	YELD18	96
IPSC6436(N/T)LF	194	YBRB69	79	YBRS63	74	YELD24	96
IPSC6436(N/T)LL	193	YBRB75	79	YBRS69	74	YELD27	96
IPSC6442(N/T)CG	193	YBRB81	79	YBRS75	74	YELD30	96
IPSC6442(N/T)GT	193	YBRB87	79	YBRS81	74	YELD36	96
IPSC6442(N/T)LF	194	YBRB93	79	YBRS87	74	YELD42	96
IPSC6442(N/T)LL	193	YBRBTE48	76	YBRS93	74	YELDA18	101
IPSC6448(N/T)CG	193	YBRBTE54	76	YBRT105	74	YELDA24	101
IPSC6448(N/T)GT	193	YBRBTE60	76	YBRT111	74	YELDA27	101
IPSC6448(N/T)LF	194	YBRBTE66	76	YBRT33	74	YELDA30	101
IPSC6448(N/T)LL	193	YBRBTE72	76	YBRT39	74	YELDA36	101
IPSC6454(N/T)CG	193	YBRBTE78	76	YBRT45	74	YELDA38	106
IPSC6454(N/T)GT	193	YBRBTE84	76	YBRT51	74	YELDA50	106
IPSC6454(N/T)LF	194	YBRBTE90	76	YBRT57	74	YELDA62	106
IPSC6454(N/T)LL	193	YBRBTE96	76	YBRT63	74	YELDD18	101
IPSC6460(N/T)CG	193	YBRBTS45	76	YBRT69	74	YELDD24	101
IPSC6460(N/T)GT	193	YBRBTS51	76	YBRT75	74	YELDD27	101
IPSC6460(N/T)LF	194	YBRBTS57	76	YBRT81	74	YELDD30	101
IPSC6460(N/T)LL	193	YBRBTS63	76	YBRT87	74	YELDD36	101
IPSCHH144	185	YBRBTS75	76	YBRT93	74	YELDD38	104
IPSCLL144	185	YBRBTS81	76	YBRT99	74	YELDD50	104
IPSCMM144	185	YBRBTS87	76	YBTE	81, 243	YELDD62	104
IPSCNG144	184	YBRBTS91	76	YCB48	88	YELDH38	108
IPSCNH144	185	YBRBTS93	76	YCB54	88	YELDH50	108
IPSCNLI144	185	YBRE	86	YCB60	88	YELDH50B	108
IPSCNM144	185	YBRE36	74	YCB66	88	YELDHB	109
IPSCNN144	184	YBRE42	74	YCB72	88	YELDT50	111
IPSN144	184	YBRE48	74	YCB78	88	YELDT50B	111
RR3EPVR	189	YBRE54	74	YCB84	88	YELDTB	112
RR3TPVR	189	YBRE60	74	YCBCC48	88	YELH24	96
SISAWDSIK	121	YBRE66	74	YCBCC54	88	YELH27	96
SISDDPS	121	YBRE72	74	YCBCC60	88	YELH30	96
SISLC4	121	YBRE78	74	YCBCC66	88	YELH36	96
YACPU	91	YBRE84	75	YCBCC72	88	YELH42	96
YAK	91	YBRE90	75	YCBCC78	88	YELP24	97

<i>pattern no.</i>	<i>page</i>	<i>pattern no.</i>	<i>page</i>	<i>pattern no.</i>	<i>page</i>	<i>pattern no.</i>	<i>page</i>
YELP27	97	YEP1735	129	YFC0912C	168	YFC2336NV	179
YELP30	97	YEP1736	129	YFC0912L	170	YFC2348NL	178
YELP36	97	YEP1740	132	YFC0912P	169	YFC2348NP	177
YELSA18	99	YEP1752	132	YFC0912S	168	YFC2348NV	179
YELSA24	99	YEP1758	132	YFC0912V	171	YFC2360NL	178
YELSA27	99	YEP1764	132	YFC0924C	168	YFC2360NP	177
YELSA30	99	YEP1776	132	YFC0924L	170	YFC2372NL	178
YELSA36	99	YEP2617	130	YFC0924P	169	YFC2372NP	177
YELSA42	99	YEP2618	130	YFC0924S	168	YFC2624NL	178
YELSA48	99	YEP2623	130	YFC0924V	171	YFC2624NP	177
YELSCD24	99	YEP2624	130	YFC0936C	168	YFC2624NV	179
YELSCD27	99	YEP2626	130	YFC0936L	170	YFC2636NL	178
YELSCD30	99	YEP2627	130	YFC0936P	169	YFC2636NP	177
YELSCD36	99	YEP2629	130	YFC0936S	168	YFC2636NV	179
YELSCD42	99	YEP2630	130	YFC0936V	171	YFC2648NL	178
YELSCD48	99	YEP2635	130	YFC0948C	168	YFC2648NP	177
YELSD18	99	YEP2636	130	YFC0948L	170	YFC2648NV	179
YELSD24	99	YEP2640	132	YFC0948P	169	YFC2660NL	178
YELSD27	99	YEP2652	132	YFC0948S	168	YFC2660NP	177
YELSD30	99	YEP2658	132	YFC0948V	171	YFC2672NL	178
YELSD36	99	YEP2664	132	YFC0960C	168	YFC2672NP	177
YELSD42	99	YEP2676	132	YFC0960L	170	YFCC48	161
YELSD48	99	YEP2717	130	YFC0960P	169	YFCC60	161
YELSSAB22L	116	YEP2718	130	YFC0960S	168	YFCC72	161
YELSSAB22R	116	YEP2723	130	YFC0972C	168	YFCHOC	168
YELSSAB28L	116	YEP2724	130	YFC0972L	170	YFCOC	168
YELSSAB28R	116	YEP2726	130	YFC0972P	169	YFF2148	159
YELSSAB34L	116	YEP2727	130	YFC0972S	168	YFF2160	159
YELSSAB34R	116	YEP2729	130	YFC1412L	174	YFF2172	159
YELSSAF28L	118	YEP2730	130	YFC1412P	173	YFJE25	161
YELSSAF28R	118	YEP2735	130	YFC1412V	175	YFJE28	161
YELSSAF34L	118	YEP2736	130	YFC1424L	174	YFJL25	162
YELSSAF34R	118	YEP2841	134	YFC1424P	173	YFJL28	162
YELSSAF40L	118	YEP2853	134	YFC1424V	175	YFJT25	162
YELSSAF40R	118	YEP2859	134	YFC1436L	174	YFJT28	162
YELSSDB22L	115	YEP2865	134	YFC1436P	173	YFJV25	162
YELSSDB22R	115	YEP2877	134	YFC1436V	175	YFJV28	162
YELSSDB28L	115	YEP4253	137	YFC1448L	174	YFJX25	162
YELSSDB28R	115	YEP4259	137	YFC1448P	173	YFJX28	162
YELSSDB34L	115	YEP4265	137	YFC1448V	175	YFJY25	162
YELSSDB34R	115	YEP4277	137	YFC1460L	174	YFJY28	162
YELSSDF28L	117	YEP4953	137	YFC1460P	173	YFL25	159
YELSSDF28R	117	YEP4959	137	YFC1472L	174	YFL28	159
YELSSDF34L	117	YEP4965	137	YFC1472P	173	YFLSF	159
YELSSDF34R	117	YEP4977	137	YFC1712L	174	YFTC48	161
YELSSDF40L	117	YEP5653	137	YFC1712P	173	YFTC60	161
YELSSDF40R	117	YEP5659	137	YFC1712V	175	YFTC72	161
YEP1617	129	YEP5665	137	YFC1724L	174	YILDA1	106
YEP1618	129	YEPH3641	135	YFC1724P	173	YILDA35	106
YEP1623	129	YEPH3653	135	YFC1724V	175	YILDA38	106
YEP1624	129	YEPH3659	135	YFC1736L	174	YILDA48	106
YEP1626	129	YEPH3665	135	YFC1736P	173	YILDA50	106
YEP1627	129	YEPSSF2831L	134	YFC1736V	175	YILDA62	106
YEP1629	129	YEPSSF2831R	134	YFC1748L	174	YILDAV20	106
YEP1630	129	YEPSSF2837L	134	YFC1748P	173	YILDD1	105
YEP1635	129	YEPSSF2837R	134	YFC1748V	175	YILDD35	104
YEP1636	129	YEPSSF2840L	134	YFC1760L	174	YILDD38	104
YEP1717	129	YEPSSF2840R	134	YFC1760P	173	YILDD48	104
YEP1718	129	YEPSSF2843L	134	YFC1772L	174	YILDD50	104
YEP1723	129	YEPSSF2843R	134	YFC1772P	173	YILDD62	104
YEP1724	129	YEPSSF2849L	134	YFC2324NL	178	YILDDV20	104
YEP1726	129	YEPSSF2849R	134	YFC2324NP	177	YILDH35	108
YEP1727	129	YEPT4253	135	YFC2324NV	179	YILDH38	108
YEP1729	129	YEPT4259	135	YFC2336NL	178	YILDH50	108
YEP1730	129	YEPT4265	135	YFC2336NP	177	YILDHB	109

<i>pattern no.</i>	<i>page</i>	<i>pattern no.</i>	<i>page</i>	<i>pattern no.</i>	<i>page</i>	<i>pattern no.</i>	<i>page</i>
YILD35	111	YKTS6030D	28	YP3048	60	YP9627	59
YILDTB	111	YKTS6030DG	29	YP3618	58	YP9630	59
YILSSAB20	116	YKTS7236D	28	YP3624	58	YP9636	60
YILSSAB22	116	YKTS7236DG	29	YP3627	59	YP9648	60
YILSSAB26	116	YKTS7236YDG	33	YP3630	59	YPB3018	61
YILSSAB28	116	YKTS7236YHG	33	YP3636	60	YPB3024	61
YILSSAB34	116	YKTS8442D	28	YP3648	60	YPB3027	61
YILSSAF26	118	YKTS8442DG	29	YP4218	58	YPB3030	62
YILSSAF28	118	YKTS8442YDG	33	YP4224	58	YPB3036	62
YILSSAF32	118	YKTS8442YHG	33	YP4227	59	YPB3618	61
YILSSAF34	118	YKTT7236D	28	YP4230	59	YPB3624	61
YILSSAF40	118	YKTT7236DG	29	YP4236	60	YPB3627	61
YILSSDB20	115	YKTT7236YDG	33	YP4242	60	YPB3630	62
YILSSDB22	115	YKTT7236YHG	33	YP4248	60	YPB3636	62
YILSSDB26	115	YKTT8442D	28	YP4818	58	YPB4218	61
YILSSDB28	115	YKTT8442DG	29	YP4824	58	YPB4224	61
YILSSDB34	115	YKTT8442YDG	33	YP4827	59	YPB4227	61
YILSSDF26	117	YKTT8442YHG	33	YP4830	59	YPB4230	62
YILSSDF28	117	YKTT9648D	28	YP4836	60	YPB4236	62
YILSSDF32	117	YKTT9648DG	29	YP4848	60	YPB4818	61
YILSSDF34	117	YL4L17	289	YP5418	58	YPB4824	61
YILSSDF40	117	YL4L31	289	YP5424	58	YPB4827	61
YKME4DA	35	YL4L44	289	YP5427	59	YPB4830	62
YKME7854HE	35	YL4L58	289	YP5430	59	YPB4836	62
YKME7854NE	35	YMP1636	123	YP5436	60	YPB5418	61
YKPTS3030D	30	YMP1642	123	YP5448	60	YPB5424	61
YKPTS3030L	30	YMP1648	123	YP6018	58	YPB5427	61
YKPTS3030M	30	YMP1654	123	YP6024	58	YPB5430	62
YKPTS3636D	30	YMP1660	123	YP6027	59	YPB5436	62
YKPTS4242D	30	YMP1666	123	YP6030	59	YPB6018	61
YKPTS4824D	30	YMP1672	123	YP6036	60	YPB6024	61
YKPTS4848D	30	YMP1678	123	YP6048	60	YPB6027	61
YKPTS5427D	30	YMP1684	123	YP6618	58	YPB6030	62
YKPTS6030D	30	YMP1736	123	YP6624	58	YPB6036	62
YKPTS7236D	30	YMP1742	123	YP6627	59	YPB6618	61
YKPTS8442D	30	YMP1748	123	YP6630	59	YPB6624	61
YKTR36YDG	33	YMP1754	123	YP6636	60	YPB6627	61
YKTR36YHG	33	YMP1760	123	YP6648	60	YPB6630	62
YKTR36YMC	33	YMP1766	123	YP7218	58	YPB6636	62
YKTR42D	28	YMP1772	123	YP7224	58	YPB7218	61
YKTR42DG	29	YMP1778	123	YP7227	59	YPB7224	61
YKTR42L	28	YMP1784	123	YP7230	59	YPB7227	61
YKTR42LG	29	YMP2636	124	YP7236	60	YPB7230	62
YKTR42M	28	YMP2642	124	YP7248	60	YPB7236	62
YKTR42MG	29	YMP2648	124	YP7818	58	YPB7818	61
YKTR42YDG	33	YMP2654	124	YP7824	58	YPB7824	61
YKTR42YMC	33	YMP2660	124	YP7827	59	YPB7827	61
YKTR48D	28	YMP2666	124	YP7830	59	YPB7830	62
YKTR48DG	29	YMP2672	124	YP7836	60	YPB7836	62
YKTS3030D	28	YMP2678	124	YP7848	60	YPB8418	61
YKTS3030DG	29	YMP2684	124	YP8418	58	YPB8424	61
YKTS3030L	28	YMP2736	124	YP8424	58	YPB8427	61
YKTS3030LG	29	YMP2742	124	YP8427	59	YPB8430	62
YKTS3030M	28	YMP2748	124	YP8430	59	YPB8436	62
YKTS3030MG	29	YMP2754	124	YP8436	60	YPB9018	61
YKTS3636D	28	YMP2760	124	YP8442	60	YPB9024	61
YKTS3636DG	29	YMP2766	124	YP8448	60	YPB9027	61
YKTS4242D	28	YMP2772	124	YP9018	58	YPB9030	62
YKTS4242DG	29	YMP2778	124	YP9024	58	YPB9036	62
YKTS4824D	28	YMP2784	124	YP9027	59	YPB9618	61
YKTS4824DG	29	YP3018	58	YP9030	59	YPB9624	61
YKTS4848D	28	YP3024	58	YP9036	60	YPB9627	61
YKTS4848DG	29	YP3027	59	YP9048	60	YPB9630	62
YKTS5427D	28	YP3030	59	YP9618	58	YPB9636	62
YKTS5427DG	29	YP3036	60	YP9624	58	YPE1524	65

<i>pattern no.</i>	<i>page</i>	<i>pattern no.</i>	<i>page</i>	<i>pattern no.</i>	<i>page</i>	<i>pattern no.</i>	<i>page</i>
YPE1527	65	YPSB2054	198	YPSB3836F	197	YPSF1460	211
YPE1530	65	YPSB2054F	196	YPSB3841	208	YPSF1460F	210
YPE1536	65	YPSB2060	198	YPSB3841F	207	YPSF1472	211
YPE1539	65	YPSB2060F	196	YPSB3842	199	YPSF1472FRR	210
YPE1541	65	YPSB2066	198	YPSB3842F	197	YPSF1724	211
YPE1552	65	YPSB2066FRR	196	YPSB3848	199	YPSF1724F	210
YPE1553	65	YPSB2072	198	YPSB3848F	197	YPSF1736	211
YPE1558	65	YPSB2072FRR	196	YPSB3853	208	YPSF1736F	210
YPE1559	65	YPSB2624	199	YPSB3853F	207	YPSF1748	211
YPE1564	65	YPSB2624F	197	YPSB3854	199	YPSF1748F	210
YPE1565	65	YPSB2627	199	YPSB3854F	197	YPSF1760	211
YPE1576	65	YPSB2627F	197	YPSB3859	208	YPSF1760F	210
YPE1577	65	YPSB2630	199	YPSB3859F	207	YPSF1772	211
YPE1841	65	YPSB2630F	197	YPSB3860	199	YPSF1772FRR	210
YPE1853	65	YPSB2636	199	YPSB3860F	197	YPSF2124	211
YPE1859	65	YPSB2636F	197	YPSB3865	208	YPSF2124F	210
YPE1865	65	YPSB2642	199	YPSB3865FRR	207	YPSF2136	211
YPE1877	65	YPSB2642F	197	YPSB3866	199	YPSF2136F	210
YPH4818	63	YPSB2648	199	YPSB3866FRR	197	YPSF2148	211
YPH4824	63	YPSB2648F	197	YPSB3872	199	YPSF2148F	210
YPH4827	63	YPSB2654	199	YPSB3872FRR	197	YPSF2160	211
YPH4830	64	YPSB2654F	197	YPSB3877	208	YPSF2160F	210
YPH4836	64	YPSB2660	199	YPSB3877FRR	207	YPSF2172	211
YPH5418	63	YPSB2660F	197	YPSC1424	202	YPSF2172FRR	210
YPH5424	63	YPSB2666	199	YPSC1424F	201	YPSF2424	211
YPH5427	63	YPSB2666FRR	197	YPSC1430	202	YPSF2424F	210
YPH5430	64	YPSB2672	199	YPSC1430F	201	YPSF2436	211
YPH5436	64	YPSB2672FRR	197	YPSC1436	202	YPSF2436F	210
YPH6018	63	YPSB3224	198	YPSC1436F	201	YPSF2448	211
YPH6024	63	YPSB3224F	196	YPSC1442	202	YPSF2448F	210
YPH6027	63	YPSB3227	198	YPSC1442F	201	YPSF2460	211
YPH6030	64	YPSB3227F	196	YPSC1448	202	YPSF2460F	210
YPH6036	64	YPSB3230	198	YPSC1448F	201	YPSF2472	211
YPH6618	63	YPSB3230F	196	YPSC1454	202	YPSF2472FRR	210
YPH6624	63	YPSB3236	198	YPSC1454F	201	YPSFF24	210
YPH6627	63	YPSB3236F	196	YPSC1460	202	YPSFF36	210
YPH6630	64	YPSB3241	208	YPSC1460F	201	YPSFF48	210
YPH6636	64	YPSB3241F	207	YPSC1466	202	YPSFF60	210
YPH7218	63	YPSB3242	198	YPSC1466FRR	201	YPSFF72	210
YPH7224	63	YPSB3242F	196	YPSC1472	202	YPSI1416	205
YPH7227	63	YPSB3248	198	YPSC1472FRR	201	YPSI1416F	204
YPH7230	64	YPSB3248F	196	YPSC2124	202	YPSI1418	205
YPH7236	64	YPSB3253	208	YPSC2124F	201	YPSI1418F	204
YPH7818	63	YPSB3253F	207	YPSC2130	202	YPSI1419	205
YPH7824	63	YPSB3254	198	YPSC2130F	201	YPSI1419F	204
YPH7827	63	YPSB3254F	196	YPSC2136	202	YPSI1422	205
YPH7830	64	YPSB3259	208	YPSC2136F	201	YPSI1422F	204
YPH7836	64	YPSB3259F	207	YPSC2142	202	YPSI1424	205
YPH8418	63	YPSB3260	198	YPSC2142F	201	YPSI1424F	204
YPH8424	63	YPSB3260F	196	YPSC2148	202	YPSI1427	205
YPH8427	63	YPSB3265	208	YPSC2148F	201	YPSI1427F	204
YPH8430	64	YPSB3265FRR	207	YPSC2154	202	YPSI1428	205
YPH8436	64	YPSB3266	198	YPSC2154F	201	YPSI1428F	204
YPSB2024	198	YPSB3266FRR	196	YPSC2160	202	YPSI1430	205
YPSB2024F	196	YPSB3272	198	YPSC2160F	201	YPSI1430F	204
YPSB2027	198	YPSB3272FRR	196	YPSC2166	202	YPSI1436	205
YPSB2027F	196	YPSB3277	208	YPSC2166FRR	201	YPSI1436F	204
YPSB2030	198	YPSB3277FRR	207	YPSC2172	202	YPSI2116	205
YPSB2030F	196	YPSB3824	199	YPSC2172FRR	201	YPSI2116F	204
YPSB2036	198	YPSB3824F	197	YPSF1424	211	YPSI2118	205
YPSB2036F	196	YPSB3827	199	YPSF1424F	210	YPSI2118F	204
YPSB2042	198	YPSB3827F	197	YPSF1436	211	YPSI2119	205
YPSB2042F	196	YPSB3830	199	YPSF1436F	210	YPSI2119F	204
YPSB2048	198	YPSB3830F	197	YPSF1448	211	YPSI2122	205
YPSB2048F	196	YPSB3836	199	YPSF1448F	210	YPSI2122F	204

<i>pattern no.</i>	<i>page</i>	<i>pattern no.</i>	<i>page</i>	<i>pattern no.</i>	<i>page</i>	<i>pattern no.</i>	<i>page</i>
YPSI2124	205	YR1EJ96	166	YSCH	271	YSFCDO4924	270
YPSI2124F	204	YR1EOM	165	YSCS1212	263	YSFCDO4927	270
YPSI2127	205	YR1EPIC12	189	YSCS2412	263	YSFCDO4930	270
YPSI2127F	204	YR1EPIC20	189	YSDPAD	227	YSFCDO4936	270
YPSI2128	205	YR1EPNY	145, 165	YSDXFB18	245	YSFCDR4924	268
YPSI2128F	204	YR1PCC100	154, 165	YSDXFB24	245	YSFCDR4927	268
YPSI2130	205	YR1PDCX	145, 165	YSDXFB27	245	YSFCDR4930	268
YPSI2130F	204	YR1TDPI	145, 165	YSDXFB30	245	YSFCDR4936	268
YPSI2136	205	YR1TJ108	166	YSDXFB36	245	YSFCFF2836	275
YPSI2136F	204	YR1TJ12	146	YSDXFB53	245	YSFCO2D5636	280
YPS3248	213	YR1TJ18	146, 166	YSDXFB59	245	YSFCOF2536	275
YR1BCC50	154, 191	YR1TJ24	146, 166	YSDXFB65	245	YSFCOF2836	275
YR1BCM	155	YR1TJ30	146	YSDXFB77	245	YSFCOFF4236	275
YR1CB2712B	154	YR1TJ36	146, 166	YSDXOS1815	240	YSFCOFF4936	275
YR1CB3912B	154	YR1TJ42	146	YSDXOS2415	240	YSFCOFF5636	275
YR1CB6906B	154	YR1TJ48	146, 166	YSDXOS2715	240	YSFCOFF6736	275
YR1CB6906H	154	YR1TJ54	146	YSDXOS3015	240	YSFCOS2536	282
YR1CB6906N	154	YR1TJ60	146, 166	YSDXOS3615	240	YSFCOS2836	282
YR1CB6906S	154	YR1TJ66	146	YSDXOS5315	243	YSFCOS4236	282
YR1CB6912B	154	YR1TJ7	146	YSDXOS5915	243	YSFCOS4936	282
YR1CB6912H	154	YR1TJ72	146, 166	YSDXOS6515	243	YSFCOS5636	282
YR1CBB4	155	YR1TJ84	166	YSDXOS7715	243	YSFCOSO2536	282
YR1CBB7	155	YR1TJ96	166	YSDXSS2415	240	YSFCOSO2836	282
YR1CBH	154	YR1TOM	165	YSDXSS2715	240	YSFCWD6736	273
YR1CBX2	155	YR1TPIC12	189	YSDXSS3015	240	YSFCWL4924	273
YR1CC	154	YR1TPIC20	189	YSDXSS3615	240	YSFCWL6718	273
YR1CMB	144	YR1TPNY	145, 165	YSDXSS5315	243	YSFCWR4924	273
YR1CP	145	YR1VWM323	155	YSDXSS5915	243	YSFCWR6718	273
YR1DA	144	YR1VWM330	155	YSDXSS6515	243	YSFFF18L	220
YR1DB	144	YR1VWM336	155	YSDXSS7715	243	YSFFF18N	220
YR1DC	144	YR1XDA	165	YSDXUP	81, 240	YSFFF18R	220
YR1DM4	150	YR1XDB	165	YSFA	85, 220, 224	YSFFF24L	220
YR1DM6	150	YR1XDC	165	YSFB18	220	YSFFF24N	220
YR1DOC422C10N	150	YR1XDX	165	YSFB24	220	YSFFF24R	220
YR1DOC422C6N	150	YR1XDZO	165	YSFBBF18L	220	YSFFF30L	220
YR1DOC422H6N	150	YR1XDXT	165	YSFBBF18N	220	YSFFF30N	220
YR1DOC633C10N	150	YR1XDY	165	YSFBBF18R	220	YSFFF30R	220
YR1DOC633C6N	150	YR1XDYO	165	YSFBBF24L	220	YSFSB	215
YR1DOC633H6N	150	YR1XDYT	165	YSFBBF24N	220	YSFSL423612	215
YR1DOC642C10N	150	YR1XDZ	165	YSFBBF24R	220	YSFSL423618	215
YR1DOC642C6N	150	YR1XDZO	165	YSFBBF30L	220	YSFSL424812	215
YR1DOC642H6N	150	YR1XDZT	165	YSFBBF30N	220	YSFSL424818	215
YR1DX	144	YRC18D	145	YSFBBF30R	220	YSFSL493612	215
YR1DXO	144	YRC18S	145	YSFC2D2536	278	YSFSL493618	215
YR1DXT	144	YRC30D	145	YSFC2D2836	278	YSFSL494812	215
YR1DY	144	YRC30S	145	YSFC2D4236	278	YSFSL494818	215
YR1DYO	144	YRCE	145	YSFC2D4936	278	YSFSR423612	215
YR1DYT	144	YROF	144, 165	YSFC2D5636	278	YSFSR423618	215
YR1DZ	144	YRPHA18	144	YSFC2D02536	278	YSFSR424812	215
YR1DZO	144	YRPHA30	144	YSFC2D02836	278	YSFSR424818	215
YR1DZT	144	YRPHA42	144	YSFC2D05636	280	YSFSR493612	215
YR1EDPI	145, 165	YRPHE12	144	YSFC4D5636	278	YSFSR493618	215
YR1EJ108	166	YRPHE24	144	YSFCBF2536	275	YSFSR494812	215
YR1EJ12	146	YRPHT12	144	YSFCDASK27	271	YSFSR494818	215
YR1EJ18	146, 166	YRPHT24	144	YSFCDASK30	271	YSFWB30	224
YR1EJ24	146, 166	YRPM361	148	YSFCDASK36	271	YSFWB36	224, 276
YR1EJ30	146	YRPM362	148	YSFCDE4927	270	YSFWDF30N	223
YR1EJ36	146, 166	YRPMK	148	YSFCDE4930	270	YSFWDF36N	223
YR1EJ42	146	YSAD21	231	YSFCDE4936	270	YSFWFF3018	223
YR1EJ48	146, 166	YSAD21NET	231	YSFCDEL4924	267	YSFWFF3024	223
YR1EJ54	146	YSAD27	231	YSFCDER4924	268	YSFWFF30N	223
YR1EJ60	146, 166	YSAD27NET	231	YSFCDL4924	267	YSFWFF3618	223
YR1EJ66	146	YSAD30	231	YSFCDL4927	267	YSFWFF3624	223
YR1EJ72	146, 166	YSADPADG	231	YSFCDL4930	267	YSFWFF36N	223
YR1EJ84	166	YSADPADN	231	YSFCDL4936	267	YSMOPDF18	226

<i>pattern no.</i>	<i>page</i>	<i>pattern no.</i>	<i>page</i>	<i>pattern no.</i>	<i>page</i>	<i>pattern no.</i>	<i>page</i>
YSMOPDF24	226	YSSOF33BL	236	YSUSNDL6015	250	YT6024	40
YSMPDF18	226	YSSOF33BV	237	YSUSNDL7215	250	YT6027	41
YSMPDF24	226	YSSOF33L	236	YSUSNDR3615	251	YT6030	41
YSMUOS36	256	YSSOF33V	237	YSUSNDR4215	251	YT6036	42
YSMUOS42	256	YSSOS21L	236	YSUSNDR4815	251	YT6048	42
YSMUOS48	256	YSSOS21V	237	YSUSNDR6015	251	YT6324	51
YSMUOS60	256	YSSOS24BL	236	YSUSNDR7215	251	YT6330	51
YSMUOS72	256	YSSOS24BV	237	YSWMO3615	285	YT6336	51
YSMUSDL36L	257	YSSOS24L	236	YSWMO4215	285	YT6608	45
YSMUSDL42L	257	YSSOS24V	237	YSWMO4815	285	YT6618	40
YSMUSDL48L	257	YSSOS27BL	236	YSWMO6015	285	YT6624	40
YSMUSDL60L	257	YSSOS27BV	237	YSWMO7215	285	YT6627	41
YSMUSDL72L	257	YSSOS27L	236	YSWMS3615	285	YT6630	41
YSMUSDR36L	257	YSSOS27V	237	YSWMS4215	285	YT6636	42
YSMUSDR42L	257	YSSOS33BL	236	YSWMS4815	285	YT6648	42
YSMUSDR48L	257	YSSOS33BV	237	YSWMS6015	285	YT6924	51
YSMUSDR60L	257	YSSOS33L	236	YSWMS7215	285	YT6930	51
YSMUSDR72L	257	YSSOS33V	237	YT3018	40	YT6936	51
YSMUSOL36	256	YSSPAD	227	YT3024	40	YT7208	45
YSMUSOL42	256	YSSPF21	233	YT3027	41	YT7218	40
YSMUSOL48	256	YSSPF21VL	234	YT3030	41	YT7224	40
YSMUSOL60	256	YSSPF24	233	YT3036	42	YT7227	41
YSMUSOL72	256	YSSPF24B	233	YT3048	42	YT7230	41
YSMUSOR36	256	YSSPF24BVL	234	YT3324	51	YT7236	42
YSMUSOR42	256	YSSPF24VL	234	YT3330	51	YT7248	42
YSMUSOR48	256	YSSPF27	233	YT3618	40	YT7808	45
YSMUSOR60	256	YSSPF27B	233	YT3624	40	YT7818	40
YSMUSOR72	256	YSSPF27BVL	234	YT3627	41	YT7824	40
YSMWMO36	287	YSSPF27VL	234	YT3630	41	YT7827	41
YSMWMO42	287	YSSPF33	233	YT3636	42	YT7830	41
YSMWMO48	287	YSSPF33B	233	YT3648	42	YT7836	42
YSMWMO60	287	YSSPF33BVL	234	YT3924	51	YT7848	42
YSMWMO72	287	YSSPF33VL	234	YT3930	51	YT8408	45
YSMWMS36L	287	YSUES3615	250	YT4218	40	YT8418	40
YSMWMS42L	287	YSUES4815	250	YT4224	40	YT8424	40
YSMWMS48L	287	YSUOP24	259	YT4227	41	YT8427	41
YSMWMS60L	287	YSUOP30	259	YT4230	41	YT8430	41
YSMWMS72L	287	YSUOP36	259	YT4236	42	YT8436	42
YSSD3615	285	YSUOP48	259	YT4242	42	YT8442	42
YSSD4215	285	YSUOP60	259	YT4248	42	YT8448	42
YSSD4815	285	YSUOP72	259	YT4524	51	YT9018	40
YSSD6015	285	YSUOS3615	250	YT4530	51	YT9024	40
YSSD7215	285	YSUOS4215	250	YT4536	51	YT9027	41
YSSDL3615	252	YSUOS4815	250	YT4808	45	YT9030	41
YSSDL4215	252	YSUOS6015	250	YT4818	40	YT9036	42
YSSDL4815	252	YSUOS7215	250	YT4824	40	YT9048	42
YSSDL6015	252	YSUS2BT	261	YT4827	41	YT9618	40
YSSDL7215	252	YSUS2F25	261	YT4830	41	YT9624	40
YSSDR3615	253	YSUS2F28	261	YT4836	42	YT9627	41
YSSDR4215	253	YSUS3BT	261	YT4848	42	YT9630	41
YSSDR4815	253	YSUS3F25	261	YT5124	51	YT9636	42
YSSDR6015	253	YSUS3F28	261	YT5130	51	YT9648	42
YSSDR7215	253	YSUSDL3615	252	YT5136	51	YTE1524	46
YSSOF15L	236	YSUSDL4215	252	YT5408	45	YTE1527	46
YSSOF15V	237	YSUSDL4815	252	YT5418	40	YTE1530	46
YSSOF21L	236	YSUSDL6015	252	YT5424	40	YTE1531	46
YSSOF21V	237	YSUSDL7215	252	YT5427	41	YTE1536	46
YSSOF24BL	236	YSUSDR3615	253	YT5430	41	YTE1537	46
YSSOF24BV	237	YSUSDR4215	253	YT5436	42	YTE1539	46
YSSOF24L	236	YSUSDR4815	253	YT5448	42	YTE1540	46
YSSOF24V	237	YSUSDR6015	253	YT5724	51	YTE1541	46
YSSOF27BL	236	YSUSDR7215	253	YT5730	51	YTE1543	46
YSSOF27BV	237	YSUSNDL3615	250	YT5736	51	YTE1549	46
YSSOF27L	236	YSUSNDL4215	250	YT6008	45	YTE1552	46
YSSOF27V	237	YSUSNDL4815	250	YT6018	40	YTE1553	46

<i>pattern no.</i>	<i>page</i>	<i>pattern no.</i>	<i>page</i>	<i>pattern no.</i>	<i>page</i>
YTE1558	46	YTT77	53	YUBT6429	120
YTE1559	46	YTT82	53	YUBT7029	120
YTE1564	46	YTT83	53		
YTE1565	46	YTT88	53		
YTE1576	46	YTT89	53		
YTE1577	46	YTT94	53		
YTE1841	46	YTT95	53		
YTE1853	46	YTTE18	54		
YTE1859	46	YTTE24	54		
YTE1865	46	YTTE30	54		
YTE1877	46	YTTE36	54		
YTH4818	43	YTTE42	54		
YTH4824	43	YTTE48	54		
YTH4827	43	YTTE60	54		
YTH4830	44	YTTE66	54		
YTH4836	44	YTTE78	54		
YTH5418	43	YTTE84	54		
YTH5424	43	YTTE87	54		
YTH5427	43	YTTE90	54		
YTH5430	44	YTTE96	54		
YTH5436	44	YTTM23	54		
YTH6018	43	YTTM29	54		
YTH6024	43	YTTM35	54		
YTH6027	43	YTTM41	54		
YTH6030	44	YTTM47	54		
YTH6036	44	YTVC24484824	49		
YTH6618	43	YTVC24545424	49		
YTH6624	43	YTVC24606024	49		
YTH6627	43	YTVC27484827	49		
YTH6630	44	YTVC27545427	49		
YTH6636	44	YTVC27606027	49		
YTH7218	43	YTVS24484824	49		
YTH7224	43	YTWSHK118	55		
YTH7227	43	YTWSHK124	55		
YTH7230	44	YTWSHK130	55		
YTH7236	44	YTWSHK136	55		
YTH7818	43	YTWSHK142	55		
YTH7824	43	YTWSHK148	55		
YTH7827	43	YTWSHK160	55		
YTH7830	44	YTWSHK172	55		
YTH7836	44	YTWSHK218	55		
YTH8418	43	YTWSHK224	55		
YTH8424	43	YTWSHK230	55		
YTH8427	43	YTWSHK236	55		
YTH8430	44	YTWSHK242	55		
YTH8436	44	YTWSHK248	55		
YTHVC24484824	49	YTWSHK260	55		
YTHVC24545424	49	YTWSHK272	55		
YTHVC24606024	49	YUBC3423	120		
YTHVC27484827	49	YUBC3429	120		
YTHVC27545427	49	YUBC4023	120		
YTHVC27606027	49	YUBC4029	120		
YTHVS24484824	49	YUBC4623	120		
YTT24	53	YUBC4629	120		
YTT30	53	YUBC5223	120		
YTT36	53	YUBC5229	120		
YTT42	53	YUBC5823	120		
YTT47	53	YUBC5829	120		
YTT48	53	YUBC6423	120		
YTT53	53	YUBC6429	120		
YTT59	53	YUBC7023	120		
YTT65	53	YUBC7029	120		
YTT70	53	YUBT4629	120		
YTT71	53	YUBT5229	120		
YTT76	53	YUBT5829	120		

Selling Policy

	<p>This Selling Policy supercedes all previous selling policies. Prices, discounts and product offerings are subject to change without notice.</p>
Terms & Conditions of Sales	<p>Sales by Knoll, Inc. or Knoll North America Corp. ("Seller") of Knoll Product Lines (hereinafter "Products") within the United States and Canada are made only on the terms which are contained in this Selling Policy. Seller hereby gives notice of its objection to any different or additional terms and conditions. This sale is expressly conditional upon Purchaser's assent to the terms and conditions set forth below. Additional terms and conditions may apply to KnollStudio and KnollTextiles orders. These terms and conditions may be modified or supplemented only by a written document signed by an authorized representative of Seller. These terms and conditions supercede any prior and/or contemporaneous agreements or correspondence between Purchaser and Seller. Written quotations expire thirty (30) days from the date of issuance and can be withdrawn by written notice anytime during that period. Where Purchaser and Seller have entered into the Knoll Electronic Terms and Conditions, all orders, acknowledgements, invoices and other business communications placed or transmitted in accordance with the Knoll Electronic Terms and Conditions shall be deemed to be in writing and signed and shall be valid for all purposes as if they were originated and maintained in documentary form.</p>
Ordering Information	<p>All orders must be in writing. The product pattern number(s) contained on Seller's order acknowledgement shall be the final expression of the order.</p>
Order Confirmation	<p>A purchase order is not binding on Seller until Purchaser has received Seller's order confirmation or acknowledgment.</p>
Pricing Policies	<p>List prices are subject to change without notice.</p> <p>List prices shall be those prices in effect on the date of receipt of a complete purchase order unless shipment is requested more than ninety (90) days after order entry in which case prices in effect on the date of shipment apply. List prices include specified freight costs. Unless specified in writing by Seller, no other charges are included in Seller's list prices.</p>
Taxes	<p>All sales, use, excise and other taxes applicable to the sale of the Products shall be paid by Purchaser. If Purchaser claims an exemption from any tax, Purchaser shall submit to Seller the appropriate exemption certificates.</p>
Terms of Payment	<p>Payment for one hundred percent (100%) of the net order amount is due within thirty (30) days of the date of invoice, which is generally issued upon shipment. In case of any discrepancies, such as shortages, and Seller is notified in writing within ten (10) days of receipt of Product, only that portion may be deducted and the balance paid. For orders greater than \$100,000 net, a fifty percent (50%) deposit is due at the time of order placement, with the remainder due within thirty (30) days of the date of invoice.</p> <p>KnollStudio orders less than \$2,000 require payment for one hundred percent (100%) of the net order amount (including any applicable sales tax and charges for inside delivery, special packaging, etc.), due at time of order placement. For KnollStudio orders greater than \$2,000, a one-half (50%) deposit is due at time of order placement with the remainder (including any applicable sales tax and charges for inside delivery, special packaging, etc.) due prior to shipment.</p> <p>If, in the judgment of Seller, Purchaser's financial condition does not justify the terms of the payment, Seller may require full or partial payment in advance.</p> <p>Past due accounts shall be charged one and one-half percent (1.5%) per month, or the highest rate permitted by law, whichever is less, and will be added to the outstanding balance. In the event Purchaser defaults on payment, Purchaser shall be liable for all collection costs, including reasonable attorney's fees and costs.</p>
Changes and Cancellation	<p>Purchase orders may not be changed or cancelled, in whole or in part, without prior written consent of Seller. Changes may effect delivery dates. Expenses incurred because of changes shall be charged to Purchaser. In the event of cancellations, Purchaser will be liable for reasonable cancellation charges established by Seller. Orders for special Product, orders including "COM" (hereinafter defined) material and orders pursuant to expedited delivery programs, may not be canceled.</p>
Freight Prepaid	<p>Freight is prepaid and included in the price of all Products, except KnollTextiles, within the 48 contiguous United States for orders placed with Knoll, Inc. and within Canada, excluding the Yukon, Northwest Territories, Nunavut and Newfoundland for orders placed with Knoll North America Corp. Packing is tested for rigorous motion and transportation but is not guaranteed to protect furniture from all conditions. If special packaging is required for any reason, please consult with your sales representative or dealer. Seller shall select the method of shipment and routing. Freight for all KnollTextiles orders is prepaid and added to the invoice.</p>
Delivery/Freight Charges	<p>Shipments outside the contiguous 48 United States and Canada shall be shipped F.O.B. Origin.</p> <p>For shipments outside the contiguous United States and Canada, Purchaser is responsible for the cost of freight from point of embarkation, including any handling and transportation charges incidental to loading at the point of departure and unloading at the final destination.</p> <p>Conditions beyond the control of Seller, including weather, available facilities and traffic conditions, may affect exact time of delivery. Seller shall not be responsible for specific carrier delivery date or time unless it has made a specific delivery commitment, in writing.</p> <p>Nonstandard methods of shipment and/or additional services are available upon request. Purchaser will be billed for the differential cost of any special services in excess of standard surface carrier freight costs. Premium charges, at Purchaser's request, will be added for airfreight, exclusive use of vehicle and extra, export or special packaging. Accessorial charges will be added for inside delivery, extra labor, reassignment and redelivery.</p> <p>Partial shipments may be made and invoiced by Seller.</p>
Claims	<p>All shipments for Knoll Products within the contiguous United States and Canada are F.O.B. Origin. All risk of loss passes to Purchaser at time of delivery to carrier. Purchaser shall inspect all Products upon receipt and notify Seller within ten (10) working days after receipt of any damage or defects which are, or should be, apparent from an inspection of the Product and its packaging. Failure of Purchaser to notify Seller during the ten (10) working day period shall constitute acceptance of the Products and waiver of any apparent defects, errors or shortages. For all claims relating to Product damaged in transit or for any other claims relating to or arising out of the transportation of the Product, Purchaser must seek recovery from the carrier and Seller has no liability to Purchaser for such claims. Seller may, upon request, assist Purchaser with filing of such claims with the carrier, but Seller will not be liable for any of these transportation related claims.</p>
Seller's Security Interest	<p>Until Seller receives the full payment for the Product, Seller shall have a security interest in the Product. Purchaser agrees to perform all acts, including but not limited to the execution and filing of documentation, which may be necessary to perfect and assure the security interest of Seller.</p>
Returns	<p>The return of Products without a written authorization by Seller shall not be accepted. To receive authorization for Product return, please call Customer Service. All Products that are returned pursuant to a valid authorization shall be subject to a twenty-five percent (25%) of list restocking charge. Products not currently offered for sale by Seller (including COM) shall not be authorized for return. All returned Products must be unused, in original condition and in the original Seller packing cartons. No refund or credit shall be given for damaged Products.</p>
Held Orders/Storage	<p>If Purchaser requests that an order be held or delayed, prices and terms and conditions in effect at the time of shipment shall apply. If Purchaser requests a delay after the time when Seller can defer production, Purchaser will be invoiced for the Product, payable in accordance with standard terms, when the order is ready for shipment. Seller may transfer the Product to storage, in which case all expenses incurred in connection with storage, including demurrage, preparation for storage, storage charges and handling shall be payable by Purchaser upon submission of invoices by Seller. Risk of loss to the Product shall pass to the Purchaser upon delivery of the Product into storage.</p>

Selling Policy

Customer's Own Material	<p>A Purchaser who requests a fabric or other surface material not standard to Seller's line of Products ("COM") must submit samples of the requested material to Seller prior to entry of a purchaser order. Seller shall determine if the material is suitable to its manufacturing processes and meets any requirements of Underwriters Laboratories. If the COM is acceptable, Seller will then establish a price for using the COM or the Product in question. For a description of the procedures for submitting samples and testing, contact customer resources or your sales representative. Seller shall have no responsibility for the appearance, condition, performance, durability, colorfastness or any other physical attribute of the COM. Purchaser shall indemnify and hold Seller harmless for any damages, injuries or losses arising out of or related to use of the COM on the Product.</p>
Warranty	<p>Seller warrants to the original Purchaser only that the Products Seller manufactures and sells to Purchaser are free of defects in workmanship and materials, during the applicable warranty period set forth below.</p> <p>Warranty period set forth below is for 24-hour, 7 days a week, multi shift use (includes parts and labor to repair).</p> <p>Should any failure to conform with this limited warranty appear to a Product listed below during the applicable warranty period from the date of shipment, Seller shall, upon prompt written notice, repair or replace, at its option and costs, the affected part or parts.</p> <p><i>Product and Period of Warranty</i></p> <p><i>Lifetime: Antenna Workspaces, AutoStrada, Calibre, Crinion Open Table, Currents, Dividends Horizon, Equity, Morrison, Reff Profiles laminate, Series 2 Storage, Template and other non-wood components (except cascade edge worksurfaces, operational parts, controls, electrical, Lighting, Series 2 Veneer Front Storage, special or custom products, see below)</i></p> <p><i>12 Years: Chadwick, Essentials Work Chairs, Generation by Knoll, Life, Moment, MultiGeneration by Knoll, ReGeneration by Knoll, RPM, Sapper and Toboggan seating (except seating upholstery, textiles, leathers and finishes, see below).</i></p> <p><i>10 Years: Anchor Storage except digital keypad lock, Antenna Workspaces, AutoStrada, Crinion Open Table, Dividends Horizon, Reff Profiles, Template wood components, Series 2 Veneer Front Storage, cascade edge worksurfaces, Wood Casegoods (The Graham Collection) (except wood casegoods upholstered surfaces, see below), Interaction tables (except height adjustment mechanisms for Counterforce, crank-adjustable, and split-top tables and worksurfaces, see below), Reuter overheads, Reuter vertical storage, KnollExtra Sapper Monitor Arm Collection, Adjustable keyboard mechanisms and platforms, Communication Boards (except fabric board textiles, see below), Smokador collection (except leathers, see below), and Orchestra Universal Systems Accessories.</i></p> <p><i>5 Years: Operational parts, controls, electrical, Lighting (except light ballasts, bulbs and power supply, see below), special or custom product, wood veneer products, Currents handerank, Interaction Counterforce, Interaction crank-adjustable, and split-top mechanisms, KnollStudio, Spark Series seating structural elements, Richard Schultz outdoor products, KnollExtra CPU storage and all universal storage drawers and Power Collection.</i></p> <p><i>3 Years: Seating upholstery, textiles, leathers and finishes. Fabric boards textiles and Smokador Collection leathers.</i></p> <p><i>2 Years: Anchor Storage digital keypad lock, all other KnollExtra product</i></p> <p><i>1 Year: Light ballasts, bulbs and power supply, seating upholstered amp pads and soft amp pads, wood casegoods upholstered surfaces. KnollStudio Maya Lin and Spark Series seating finishes.</i></p> <p>This warranty does not apply to:</p> <ul style="list-style-type: none">• Damage caused by a carrier other than the Seller.• Normal wear and tear or acts or omissions of parties other than Seller (including user modification, improper use or installation of Products).• COM or other third party materials applied to Products.• Products not installed by or under the auspices of a Knoll Dealer.• Dramatic temperature variations or exposure to unusual conditions.• Changes in surface finishes, including colorfastness due to aging or exposure to light.• Except as specifically noted above, textiles and upholstery supplied by <i>KnollTextiles</i> (consult current <i>KnollTextiles</i> price list for applicable warranty). <p>Natural variations occurring in wood, marble, and leather shall not be considered defects, and the Seller does not guarantee the colorfastness or matching of the colors, grains or textures, or surface hardness of such materials. The Seller also does not guarantee the colorfastness of fiberglass panel surfaces. THE EXPRESS WARRANTIES CONTAINED HEREIN ARE IN LIEU OF ALL OTHER WARRANTIES, EXPRESS OR IMPLIED, INCLUDING ANY WARRANTIES OF MERCHANTABILITY AND FITNESS FOR PARTICULAR PURPOSE AND ALL OTHER WARRANTIES ARISING FROM COURSE OF DEALING OR USAGE OF TRADE.</p> <p>The remedies provided above are the Purchaser's sole remedies for any failure of Seller to comply with its obligations regarding the workmanship of its Products. Correction of any nonconformity in the manner and for the period of time provided shall constitute complete fulfillment of all liabilities of Seller, with respect to or arising out of the Product furnished hereunder.</p>
Delay/Force Majeure	<p>Seller shall not be liable for failure to perform or for delay in performance due to fire, flood, strike or other labor difficulty, act of God, act of any governmental authority or of the Purchaser, riot, embargo, fuel or energy shortage, wrecks or delay in transportation, inability to obtain necessary labor, materials or manufacturing facilities from usual sources or failure of suppliers to meet their contractual obligations, or due to any cause beyond its reasonable control. If any such event occurs, Seller may extend delivery dates by a period of time necessary to overcome the effect of such delay, allocate available Product or cancel any purchase order.</p>
Compliance with Law	<p>PURCHASER IS SOLELY RESPONSIBLE FOR COMPLIANCE WITH ALL APPLICABLE FEDERAL, STATE AND LOCAL LAWS, ORDINANCES, REGULATIONS, RULES AND STANDARDS RELATING TO THE INSTALLATION, MAINTENANCE, USE AND OPERATION OF THE PRODUCTS.</p>
Patents	<p>Subject to the following provisions, Seller shall, at its own expense, defend or, at its option, settle any claim, suit or proceeding brought against the Purchaser, and/or its vendees, mediate and immediate, so far as based on an allegation that any Product or any part thereof furnished hereunder constitutes a direct or a contributory infringement of any claim of any patent of the United States or Canada. This obligation shall be effective only if Purchaser shall have made all payments then due hereunder and if Seller is notified promptly in writing and given authority, information and assistance for the defense of said claim, suit or proceeding. Seller shall pay all damages and costs awarded in such suit or proceedings so defended.</p> <p>The foregoing indemnity does not apply to the following:</p> <ul style="list-style-type: none">• Products supplied according to a design other than that of Seller, and which is required by the Purchaser.• Combination of the Product with another product not furnished hereunder unless Seller is a contributory infringer.• Any settlements of a suit or proceeding made without Seller's written consent.
Limitations of Liability	<p>SELLER, ITS CONTRACTORS, AUTHORIZED DEALERS AND SUBCONTRACTORS OR SUPPLIERS OF ANY TIER SHALL NOT BE LIABLE TO PURCHASER FOR ANY SPECIAL, INDIRECT, INCIDENTAL OR CONSEQUENTIAL DAMAGES ARISING FROM A BREACH OF THIS AGREEMENT.</p> <p>Purchaser's remedies set forth herein are exclusive and the liability of Seller with respect to the breach of this agreement or any contract entered into between the parties pursuant hereto shall not exceed the price of the Product or part on which such liability is based.</p>

KnollKey Lock Program

KnollKey Lock Program General Information

Following is the KnollKey lock policy, applicable to all products.

Knoll furniture can be ordered keyed-alike or random keyed. Key-alike and random keying instructions cannot be mixed on any single order. Only one of the two instructions can be used on an individual order. When an order is submitted with mixed (key-alike and random) instructions, Knoll will release the order as key-alike only and lock cores will have to be specified separately.

Key-alike

For the convenience of the user, furniture may be keyed alike at no charge. Write "Key-alike" in the description of your purchase order for any pedestal, overhead, file or other item you wish to have keyed alike.

Using the key-alike instructions, order cores and keys as line items on your purchase order. Do NOT submit a key-alike form. The Knoll East Greenville Lock Center will select key numbers from the standard range of K 001 - K 250. Key numbers will not be repeated unless over 250 sets are ordered. Lock cores keyed-alike will ship separately from the product, ready for field installation.

There is no charge for key-alike orders if placed with the furniture order.

IF THE KEY-ALIKE ORDER IS NOT PLACED AT LEAST TWO WEEKS PRIOR TO THE FURNITURE SHIP DATE, A \$50 HANDLING CHARGE AND AIR FREIGHT CHARGES WILL APPLY.

If product is ordered and shipped random-keyed, additional lock cores for key-alike are billable.

Random-Keying

To specify product keyed-random, write "key-random" in the product description. Random-keyed product is shipped with the lock core factory installed. A shrouded key is included. Random means no effort has been made to match key numbers, or to make them different.

Keys

A Knoll shrouded key is shipped with every lock core. 250 Key numbers are available. For numbers above 250, contact Custom Product Development. Additional keys and key blanks are available. See service parts for more information.

Master Keying

Knoll locks can be controlled by means of a master key. There is no additional per-lock charge for master keying. A letter of approval from the client must accompany orders for master keys.

Installing Lock Cores

Lock cores can be installed or removed in the field by using a change key. Cores must be in the unlocked position to be removed. See service parts for change key pattern number and pricing.

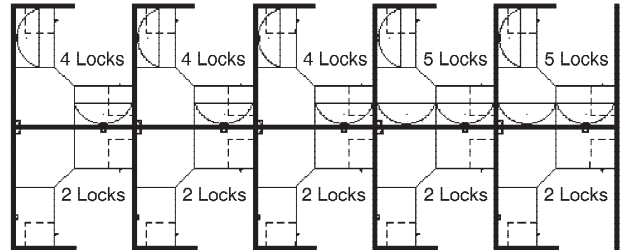
Lock Distribution

All orders for key-alike lock cores/keys are packaged and shipped from the East Greenville Lock Center, regardless of where the pedestals, overhead, or other units are produced. Random keyed product will have cores factory-installed.

How to Specify Key-Alike

Following is an example of how to specify key-alike for a cluster of 10 workstations.

Step 1 - Using the project floorplan, count the number of locks in each workstation.



Step 2 - Count the number of workstations with the same quantity of locks. Group together the workstations with a like number of locks.

5 workstations with 2 locks per station
3 workstations with 4 locks per station
2 workstations with 5 locks per station

Step 3 - For the first group (5 sets of 2 locks), enter the number of workstations in the quantity column.

Qty	Pattern #	Description	Unit List	Ext. List
5				

Step 4 - Then enter the pattern number "KSPEC_ _" and add a suffix for the number of locks for that group (i.e., for 2 locks per station, add the suffix "2"). Up to 30 lock cores are available in a set (i.e., KSPEC 30).

Qty	Pattern #	Description	Unit List	Ext. List
5	KSPEC 2	Set of 2 cores/keys	N / C	N / C

Step 5 - Repeat for other groups.

Qty	Pattern #	Description	Unit List	Ext. List
5	KSPEC 2	Set of 2 cores/keys	N / C	N / C
3	KSPEC 4	Set of 4 cores/keys	N / C	N / C
2	KSPEC 5	Set of 5 cores/keys	N / C	N / C

Your Key instructions are complete.

Knoll will select key numbers for each set from 250 available numbers. Additional key numbers are available through Custom Product Development. **For additions to existing installations, specify desired key numbers in the description.**

Service Parts

Pattern #	Description	List Price
KKEY_ _ _	Shrouded Key Specify key number desired	\$10
KBLANK	Shrouded Key Blank	\$10
KSPECB_ _ _	Retrofit Universal Core/Key Specify key number desired	\$22
KCHANGE	Change Key	\$10
HLKRKMASTER*	Master Key	\$10

*Note: A letter of approval on company letterhead from the client must accompany all orders for master keys.

General Ordering Information

The Products

This guide encompasses all standard products for this product group.

Sizes

Dimensions listed in this guide are indicated as:

H = height

W = width

D = depth

Dia. = diameter

Rad. = radius

Pricing

All prices shown are list.

How to Order

Select pattern numbers and quantities required for your complete installation. Product questions can be addressed in the specific sections of this guide or by contacting your sales representative or customer resource representative at 1-800-343-5665.

Next, select options (if required), along with colors and finishes appropriate to each product. Reference the Finishes and Fabrics pages for color designations.

On large installations, an item's "designated area" can be specified to assist in product organization and handling.

To expedite complete / correct entry of your order, be certain all pattern numbers, quantities, colors and area identifications are completely specified. Also, include complete purchase order numbers, bill-to and ship-to addresses, a contact name and specific factory shipping dates required.

Mail all orders to:

Knoll, Inc.

1235 Water Street

P.O. Box 157

East Greenville, PA 18041

Attention: Order Entry

Once your order is entered at Knoll, an acknowledgment will be mailed to you. You will be advised of your scheduled shipping date within five days of the original acknowledgment. If it is necessary to revise your order, please contact your customer resource representative.

Sustainability Statement

Sustainable design is a key component of Knoll's environmental focus. Our commitment to social responsibility and a healthy environment has prompted us to further articulate our longstanding environmental programs and, with encouragement and support from our colleagues in the industry, we have re-energized our focus on such "green" initiatives as life cycle analysis and LEED™ certification. Knoll is proud to have contributed to projects that have received LEED certification from the U.S. Green Building Council.

For the latest information on Knoll products that help our customers achieve LEED certification, log on to knoll.com, click on "About Knoll" and then "Environmental Focus."