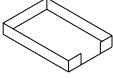
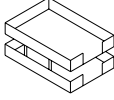
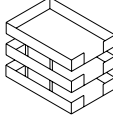




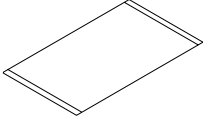
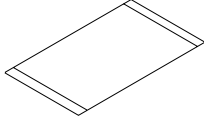
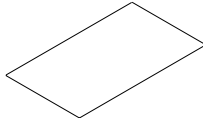
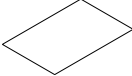
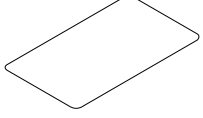



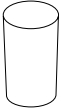
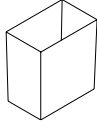

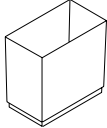
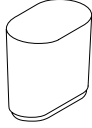
|   |   |     |
|---|---|-----|
| Introduction                            | Visual Index  | 2   |
|   | Using the KnollExtra Price List   | 10  |
|   | Placing Your Order  | 12  |
|   | KnollExtra Bracket Chart  | 13  |
|   | Maintaining Your Purchase   | 14  |
| Desktop Accessories                     | The Smokador™ Collection : Exec Rectilinear   | 16  |
|   | The Smokador™ Collection : Contemporary Leather   | 24  |
|   | The Smokador™ Collection : Traditional Leather  | 32  |
|   | The Smokador™ Collection : Replacement Parts  | 38  |
| Boardroom Accessories                   | International Collection : Glassware  | 40  |
|   | International Collection : Stainless Boardroom Accessories                              | 42  |
|   | International Collection : Plastic Boardroom Accessories                                | 48  |
|   | International Collection : Umbrella Stand and Clocks                                    | 50  |
|   | International Collection : Replacement Parts  | 52  |
| Office System Accessories               | foldit™ System Accessories : by Colebrook Bosson Saunders                               | 54  |
|   | Orchestra® Universal System Accessories : by Bruce Hannah & Ayse Birsel                 | 58  |
|   | Orchestra® Universal System Accessories : by Brooks Rorke                               | 82  |
| Office Automation Accessories           | Adjustable Keyboard Supports : Romeo and Juliet Platform/Mechanism Configurations       | 84  |
|   | Adjustable Keyboard Supports : Prospero Platform/Mechanism Configurations               | 86  |
|   | Adjustable Keyboard Supports : Caesar Platform/Mechanism Configurations                 | 88  |
|   | Adjustable Keyboard Supports : Act I  | 90  |
|   | Adjustable Keyboard Supports : Act II   | 92  |
|   | Adjustable Keyboard Supports : Mousing Solutions  | 94  |
|   | Freestanding Surf® Ergonomic Accessories : by Ross Lovegrove & Stephen Peart            | 96  |
|   | Freestanding Ergonomic Accessories :  | 100 |
|   | Colebrook Bosson Saunders for KnollExtra : Wishbone Flat Panel Monitor Support System   | 102 |
|   | Colebrook Bosson Saunders for KnollExtra : Wishbone Rotation Flat Panel Monitor Support | 116 |
|   | Colebrook Bosson Saunders for KnollExtra : Zorro Flat Panel Monitor Support             | 118 |
|   | Worksurface Support : CPU Holders   | 120 |
|   | Worksurface Support : Adjustable CPU Holders  | 124 |
|   | Worksurface Support : Equipment Storage   | 126 |
| Laptop Supports : Lapjack Laptop Stands | 128   |     |
| Storage                                 | Bebop : Carts   | 130 |
|   | Bebop : Accessories   | 132 |
|   | BackPack® Universal Storage Drawers : by Robert Reuter                                  | 136 |
|   | Universal Pencil Drawer : by Books Rorke  | 146 |
| Communication Boards                    | Universal Marker Boards : by Bruce Hannah&Ayse Birsel                                   | 148 |
|   | Universal Fabric Boards : Standard Sizes  | 150 |
|   | Universal Fabric Boards : Options and Mounting Information                              | 154 |
|   | Universal Fabric Boards : Top Cap Hung Marker Board                                     | 156 |
| Lighting                                | Copeland™ Light : by Stephan Copeland   | 158 |
|   | Halley™ Collection : Designed by Richard Sapper for Lucesco Lighting™                   | 164 |
|   | Tolomeo Light Fixtures by Artemide® :   | 166 |
|   | Little Dipper and Big Dipper : Lighting System  | 170 |
|   | Desktop Lamp : By John Rizzi and Brooks Rorke   | 172 |
| Electrical                              | Colebrook Bosson Saunders for KnollExtra : Wire Management Spine                        | 174 |
| Alpha-Numeric Index                     |   | 176 |
| Product Index                           |   | 178 |
| Selling Policy                          |   | 180 |
| KnollKey Lock Program                   |   | 182 |
| General Ordering Information            |   | 183 |

Page **THE SMOKADOR COLLECTION ● Exec Rectilinear**

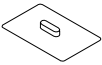
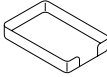
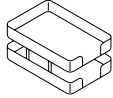
|       |   |   |   |
|-------|---|---|---|
| 16-17 | Single Letter Tray  | Double Letter Tray  | Triple Letter Tray  |
|       |  |  |  |

|       |   |   |   |   |
|-------|---|---|---|---|
| 18-19 | Memo Box  | Business Card Holder  | Round Pencil Cup  | Round Clip cup  |
|       |  |  |  |  |

|       |   |   |   |   |   |   |
|-------|---|---|---|---|---|---|
| 20-21 | Desk Pad:<br>3/4" Side Panels   | Desk Pad:<br>1 1/2" Side Panels   | Rectilinear Desk Pad  | Conference Pad  | Radiused Desk Pad   | Oval Conference Pad   |
|       |  |  |  |  |  |  |

|       |  |  |  |  |  |
|-------|--|--|--|--|--|
| 22-25 | Round Wastebasket  | Rectilinear Wastebasket  | Round Plastic Wastebasket  | Rectilinear Plastic Wastebasket  | Oval Plastic Wastebasket   |
|       |  |  |  |  |  |

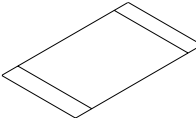
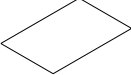


Page **THE SMOKADOR COLLECTION ● Contemporary Leather**

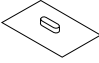
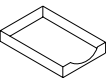
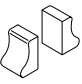
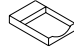
|       |   |   |   |
|-------|---|---|---|
| 24-25 | Letter Tray Cover   | Single Letter Tray  | Double Letter Tray  |
|       |  |  |  |


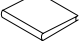
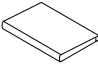
|       |   |   |   |
|-------|---|---|---|
| 26-29 | Memo Box  | Pencil Cup  | Coasters  |
|       |  |  |  |

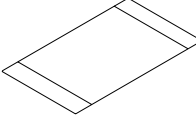
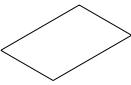


|   |   |   |
|---|---|---|
| Appointment Book  | Note Pad Holder   | Picture Frame   |
|  |  |  |



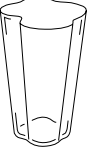

|   |
|---|
| Book Ends   |
|  |

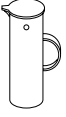
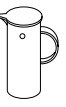


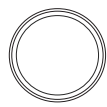
| Page  | THE SMOKADOR COLLECTION ● Contemporary Leather                                    |   |   |   |
|-------|---|---|---|---|
| 30-31 | Desk Pad:<br>4'' Side Panels  | Rectilinear<br>Conference Pad   | Oval<br>Conference Pad  | Round<br>Wastebasket  |
|       |  |  |  |  |




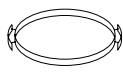

| Page  | THE SMOKADOR COLLECTION ● Traditional Leather                                     |   |   |   |
|-------|---|---|---|---|
| 32-33 | Letter Tray Cover   | Single Letter Tray  | Book Ends   | Memo Box  |
|       |  |  |  |  |

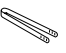


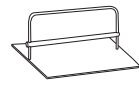
|       |   |   |   |
|-------|---|---|---|
| 34-39 | Pencil Cup  | Appointment Book  | Note Pad Holder   |
|       |  |  |  |

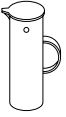
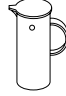
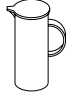


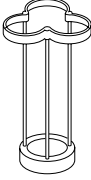

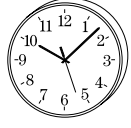
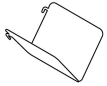
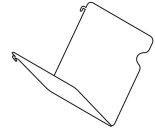

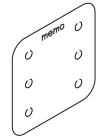
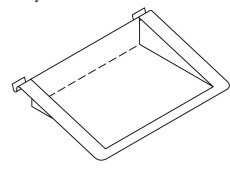
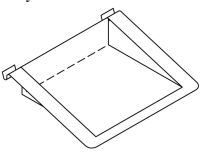
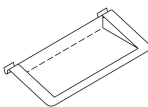
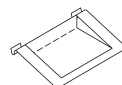
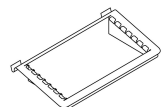
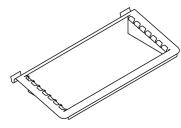
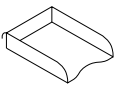
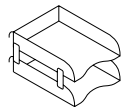
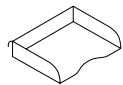
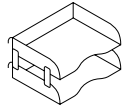
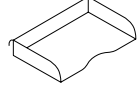
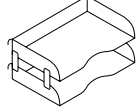
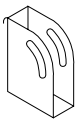
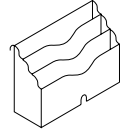
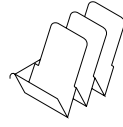
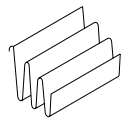
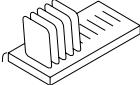
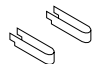

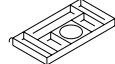

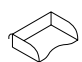
|       |  |  |  |  |
|-------|--|--|--|--|
| 36-37 | Desk Pad:<br>3 1/2'' Side Panels   | Rectilinear<br>Conference Pad  | Oval<br>Conference Pad   | Round Wastebasket  |
|       |  |  |  |  |



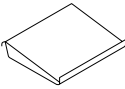
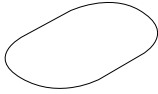
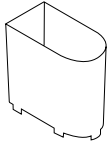
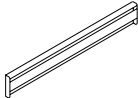
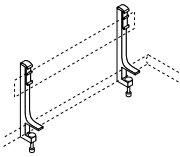
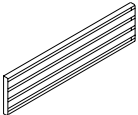
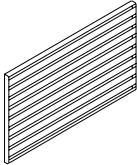
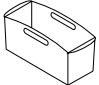
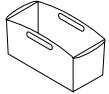
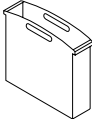
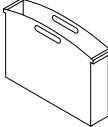
| Page  | THE INTERNATIONAL COLLECTION  |   |   |   |
|-------|---|---|---|---|
| 40-41 | Aalto Vase  | Savoy Vase  | Flower Vase   | Aarne Glassware   |
|       |  |  |  |  |

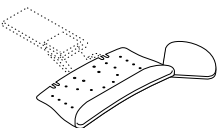
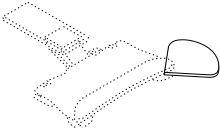
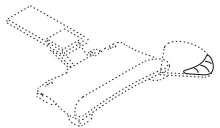
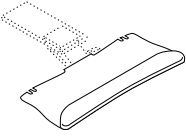
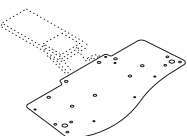
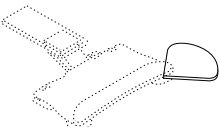
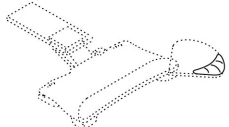

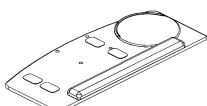
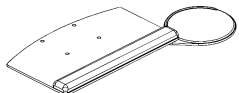
|       |   |   |   |   |   |
|-------|---|---|---|---|---|
| 42-43 | Large<br>Stainless Carafe   | Small<br>Stainless Carafe   | Stainless<br>Creamer  | Stainless<br>Sugar Bowl   | Serving<br>Tray   |
|       |  |  |  |  |  |



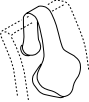
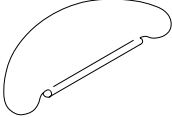
|       |   |   |   |   |   |
|-------|---|---|---|---|---|
| 44-45 | Stainless<br>Coffee Pot   | Stainless<br>Tea Pot  | Stainless Creamer<br>and Sugar Bowl   | Stainless Serving<br>Tray with Handles  | Stainless<br>Ice Bucket   |
|       |  |  |  |  |  |

|       |   |   |   |   |
|-------|---|---|---|---|
| 46-47 | Stainless<br>Ice Tongs  | Stainless<br>Coaster Set  | Stainless<br>Bottle Coaster   | Napkin Holder   |
|       |  |  |  |  |

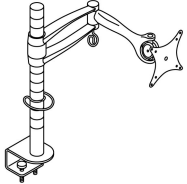
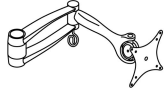
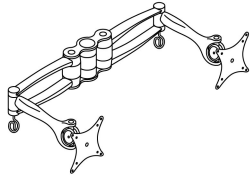
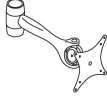


| Page  | THE INTERNATIONAL COLLECTION  |   |  |  |   |   |  |
|-------|---|---|--|--|---|---|--|
| 48-49 | Large Plastic Carafe<br>       | Small Plastic Carafe<br>       | Plastic Water Pitcher<br>               | Plastic Creamer<br>                     | Plastic Sugar Bowl<br>       |   |  |
| 50-51 | Ivy Umbrella Stand<br>         | Mathiesen Wall Clock<br>       | Bodoni Wall Clock<br>                   |  |   |   |  |
| Page  | foldit™ SYSTEM ACCESSORIES  |   |  |  |   |   |  |
| 54-57 | CD Holder<br>                  | Paper Sorter<br>               | Pencil/Pen Holder<br>                   | Memo Magnet Board<br>                   | Letter Tray 1<br>            | Letter Tray 4<br>            |  |
|       | Letter Tray 2<br>            | Letter Tray 5<br>            | Hanging File Sorter (letter size)<br> | Hanging File Sorter (legal size)<br> |   |   |  |
| Page  | ORCHESTRA UNIVERSAL SYSTEM ACCESSORIES  |   |  |  |   |   |  |
| 58-61 | Front Single Letter Tray<br> | Front Double Letter Tray<br> | Side Single Letter Tray<br>           | Side Double Letter Tray<br>           | Side Single Legal Tray<br> | Side Double Legal Tray<br> |  |
| 62-63 | 2-Way Binder Bin<br>         | Vertical Paper Pack<br>      | Slanted Sorter<br>                    | File Sorter<br>                       |   |   |  |
| 64-65 | Mini-Shelf<br>               | Hanging File Holders<br>     | Pencil Cup<br>                        | Utility Tray<br>                      |   |   |  |
| 66-67 | Tape Dispenser<br>           | Memo Tray<br>                |  |  |   |   |  |

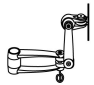
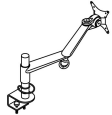

| Page  | ORCHESTRA UNIVERSAL SYSTEM ACCESSORIES  |  |  |   |
|-------|---|--|--|---|
| 68-69 | Clip/Cup Holder<br>                | Bud Vase<br>                            | Telephone Shelf<br>                 |   |
| 70-71 | Racetack Desk Pad<br>              | Wastebasket & Recycling Wastebasket<br> |  |   |
| 72-78 | Load Bar/Info Rail<br>             | Worksurface: Mounted Bracket<br>        | Slatboard: 6 1/2" H<br>             | Slatboard: 14 3/4" H<br>           |
| 82-83 | Portable Small Diskette Tote<br> | Portable Large Diskette Tote<br>      | Portable Letter Size File Tote<br> | Portable Legal Size File Tote<br> |

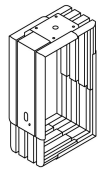
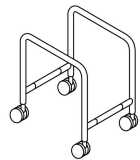
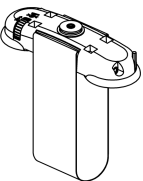
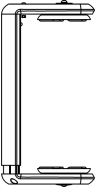
| Page  | OFFICE AUTOMATION ACCESSORIES   |   |  |   |   |
|-------|---|---|--|---|---|
| 84-95 | Adjustable Keyboard Support - Romeo and Juliet<br> | Juliet<br>                               | Juliet with Palm Rest<br> |   |   |
|       | Adjustable Keyboard Support - Prospero<br>         | Adjustable Keyboard Support - Caesar<br> |  |   |   |
|       | Juliet Mouse Pad<br>                               | Juliet Palm Rest<br>                     | Over-ten Mouse Pad<br>    | Act I<br> | Act II<br> |

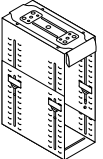
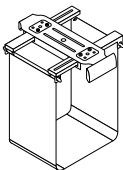
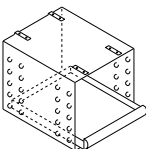
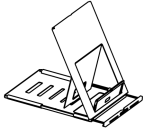
| Page  | SURF® ERGONOMIC ACCESSORIES   |   |   |  |
|-------|---|---|---|--|
| 96-99 | Wrist Rest  | Mouse Pad   | Lumbar support  | Surf Board or VDT Corner   |
|       |  |  |  |  |

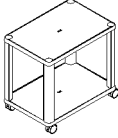
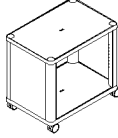
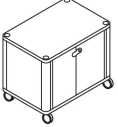
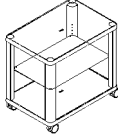
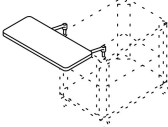
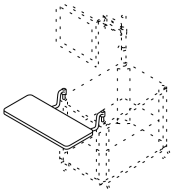
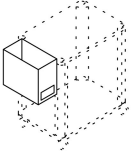
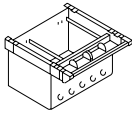
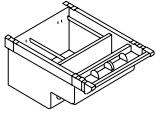
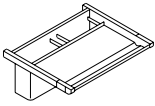
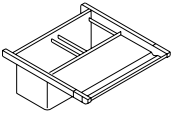
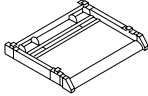
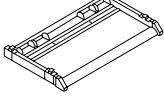
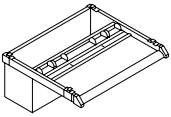
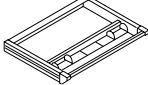
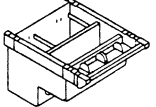

| Page | OFFICE AUTOMATION ACCESSORIES   |   |
|------|---|---|
| 100  | VDT Sleeve  | Adjustable Foot Rest  |
|      |  |  |

|         |  |   |  |  |   |   |
|---------|--|---|--|--|---|---|
| 102-119 | Wishbone Kit   | Wishbone Standard Arm   | Wishbone Back to Back Arm  | Wishbone Forearm   | Wishbone C-Arm  | Wishbone C-Arm Toolbar Mount  |
|         |  |  |  |  |  |  |

|   |   |   |
|---|---|---|
| Wishbone Rotation   | Zorro   | Grommet mount   |
|  |  |  |

|     |   |   |   |   |
|-----|---|---|---|---|
| 120 | Adjustable Metal CPU Holder   | Adjustable Mobile CPU Trolley   | Loop CPU Holder   | JAW CPU Holder  |
|     |  |  |  |  |

|         |   |   |   |  |
|---------|---|---|---|--|
| 124-129 | Adjustable Vertical Metal CPU Holder  | Adjustable Vertical Sling CPU Holder  | Printer/Fax Drawer  | Laptop Support Lapjack   |
|         |  |  |  |  |

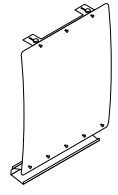
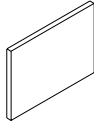
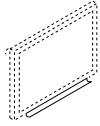
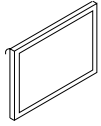
| Page    | STORAGE   |   |   |   |   |
|---------|---|---|---|---|---|
| 130-133 | Bebop Cart Open   | Bebop Cart Panels   | Bebop Cart with doors   | Bebop Cart Shelf  | Bebop AV platform   |
|         |    |    |    |   |  |
|         | Bebop Keyboard platform   | Bebop Project Bins  |   |   |   |
|         |    |    |   |   |   |
| 136-139 | BackPack® Universal Standard Suspended File   | BackPack® Universal Deep Suspended File   | Standard Center File  | Deep Center File  |   |
|         |   |   |   |  |   |
| 140-143 | Narrow Keyboard Drawer  | Wide Keyboard Drawer with Mouse Pad   | Keyboard/Filing Drawer  |   |   |
|         |  |  |  |   |   |
| 144-147 | Pencil Drawer   | Top Drawer  | Universal Pencil Drawer   |   |   |
|         |  |  |  |   |   |

---

Page **COMMUNICATIONS BOARDS**

---

148-157 Marker Board      Marker Tray      Fabric Boards      Top Cap Hung Marker Board

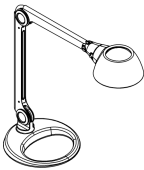
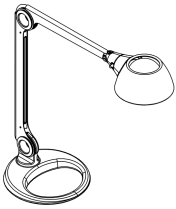



---

Page **LIGHTING**

---

158-173 Copeland Standard      Copeland Compact      Halley Compact      Halley Desk      Halley Floor



Tolomeo Standard

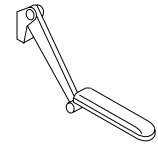
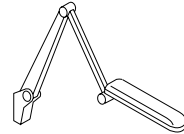
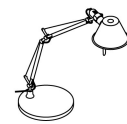
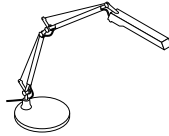
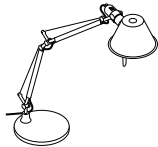
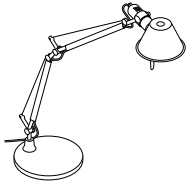
Tolomeo Mini

Tolomeo VDT

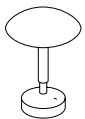
Tolomeo Micro

Big Dipper

Little Dipper



Desktop Lamp




---

Page **ELECTRICAL**

---

174-175 Cable Manager







---

**An Overview**

In the first part of the Price List you'll find a full range of desktop accessories, including the Smokador and the International Collection of boardroom accessories.

The second part features Orchestra Universal System Accessories, a complete scope of paper management accessories perfect for panel-mounted or freestanding application.

Part three offers a broad range of systems support products, including computer accessories, storage drawers, communications boards, and lighting.

Can't find it? Consult the Table of Contents on page 1, the Alpha-numeric Index on page 175, or the Product Index on page 178.

**Product Information on Each Page**

The KnollExtra Price List was designed to provide you with everything you need to know in order to understand, specify, and care for KnollExtra products. On each page, the following features will assist you:

*Description/Construction* explains salient features, capabilities, materials, and country of origin.

*Dimensions* provide the overall space the product will require. Statistics are based on the maximum width, depth and height of the product.

*Weight* is based on the product itself. It does not include packaging or complementary items such as pens, memo paper or calendars.

*Order Code/Ordering Information* outlines exactly how to specify KnollExtra product and the full scope of finish options. The Order Code provides an example of how one pattern number is specified.

*Custom Options* reviews availability of special sizes, finishes etc.

**For More Information**

For more information, contact your KnollExtra sales representative, telephone Customer Service at 1-800-343-5665, or visit one of the Knoll showrooms listed on the last page of this book.

**A Word About Finishes**

KnollExtra finishes are designed to complement a broad range of interiors and office products.

Key KnollExtra finishes coordinate with specific Knoll systems finishes:

| <i>Product</i>                 | <i>Core Finish</i> | <i>Office System Finishes</i> |
|--------------------------------|--------------------|-------------------------------|
| Orchestra Load bar / Slatboard | Medium grey (115)  | Medium grey (115)             |
|                                | Soft grey (117)    | Soft grey (117)               |
|                                | Black (111)        | Black (111)                   |
|                                | Beige Mist (611)   | Beige Mist (611)              |

**Order Placement**

You may place your order with a KnollExtra sales representative or dealer, or send it directly to the Knoll Order Services Center. Order entry hours are Monday through Friday, 8 am to 5 pm, EST.

Knoll Order Services  
1235 Water Street  
East Greenville, PA 18041

Tel 800 343-5665  
Fax 215 679-1788

To expedite delivery, please fax your order. Verbal orders cannot be accepted. There is no minimum order quantity.

**Packing and Freight***Prepaid Freight:*

Packing and freight within the forty-eight contiguous United States and Canada (excluding the Yukon, Northwest Territories, and Newfoundland) is prepaid, and included in the price of all KnollExtra charges.

*Freight Charges:*

For all orders to Alaska, Hawaii, Puerto Rico, Mexico, the Yukon, Northwest Territories, and Newfoundland, actual shipping charges are added to the invoice.

*Special Delivery and/or Packing:*

Incremental charges to apply. Contact Customer Service for rates.

**Ship-Complete Orders**

Orders that must ship complete are to be so stated on the purchase order. Products with different lead times, combined on one order, can be acknowledged for shipment based on the longest of those lead times. Orders not marked "ship complete" will be released according to the confirmation, and invoiced in increments.

**Sales Tax**

Customer is required to pay applicable sales taxes unless Customer Services has been provided with an exemption certificate from the "ship to" state or province.

**Payment Terms**

Net 30 days from date of invoice. All orders subject to credit approval prior to shipment.

**Changes to Pricing, Product, Specification, Packing, Handling & Shipping Schedule**

This price list is effective February 15, 2006. All pricing is in U.S. dollars. KnollExtra reserves the right to implement price/schedule changes, modifications in design and construction and to discontinue existing products without prior notification.

**Returns**

Returns require prior plant approval through KnollExtra Customer Services, and Knoll's Returned Goods Authorization Form attached to each package as a packing list. Returns must be shipped prepaid, unused and packaged in original carton to be considered for credit or replacement. A restocking charge of 50% on standard lead time items will be applied to all returns. Credit will be issued only after receipt and inspection of the accessory(ies) in question. If product is returned by a carrier other than that specified by KnollExtra, the customer will be billed for the full freight charges. No credit will be issued nor returns allowed 30 days or more after shipment.

**Cancellations**

Orders are subject to a cancellation charge once the manufacturing process has begun. All sales are final on custom product and Spinneybeck leather items.

**Warranty**

KnollExtra offers a limited warranty on all products in this price list:

*Five years:*

Adjustable Keyboard Supports, VDT Carousel, Monitor Platform, Flat Panel Monitor Arms, Equipment Storage Drawers, and all Universal Storage Drawers.

*Two years:*

All other KnollExtra product, including the Smokador, International, Orchestra, and Surf Collections; palm rests; foot rests; VDT sleeve; communications boards; and lighting.

**Complete Selling Policy**

For full ordering information, please consult the Knoll Selling Policy on page 180.

| <b>Manufacturer</b> | <b>System</b>                               | <b>Bracket Suffix</b> |
|---------------------|---|-----------------------|
| Knoll               | Equity                                      | E(Y)*                 |
|                     | <i>(stanchion-mounted)</i> Equity           | ES                    |
|                     | Morrison                                    | M                     |
|                     | <i>(stanchion-mounted)</i> Morrison Network | N                     |
|                     | Reff  | R                     |
|                     | Dividends                                   | DV                    |
|                     | <i>(stanchion-mounted)</i> Dividends        | DS                    |
|                     | Calibre                                     | CE                    |
|                     | Currents                                    | C                     |
|                     | <i>(stanchion-mounted)</i> Currents         | CS                    |

\*EY for orchestra brackets. If your system is not listed, please consult your KnollExtra representative or Customer Service at 1-800-343-5665.

For system and bracket information on the manufacturer's listed below or any other manufacturer, please consult your KnollExtra representative or Customer Service at 1-800-343-5665.

|                  |               |
|------------------|---------------|
| All-Steel        | Herman Miller |
| American Seating | Kimball       |
| Gunlocke         | Smed          |
| Hon              | Steelcase     |
| Haworth          | Teknion       |

## Maintenance

*While KnollExtra relies on highly durable materials in each product line, regular basic maintenance will ensure the longevity of your product. Most stains, marks, and discolorations can be removed by following the simple instructions outlined on this page.*

### Plastic

Windex and a dry cloth.

### SofStone

Early removal of a stain makes SofStone care much easier. This is especially true of coated areas which are frequently handled. If oil smudges are allowed to build up, they can soften the suede coating, and become very difficult to remove. Most dirt and smudges can be removed by the following methods:

1. *Greasy stains* (crayon, oil, lipstick, etc.): remove grease and wax stains with a naphtha-dampened lint-free cloth. Change the cloth frequently to remove as much grease as possible without spreading the stain.
2. *Non-greasy stains* (dirt, coffee, mustard, catsup, etc.): dirt and smudge areas can generally be removed by using a sponge or soft bristle brush with Liquid Ajax, Mr. Clean, Lestoil, or 3M brand carpet spot remover and upholstery cleaner. Follow the instructions on the label, and rinse thoroughly with clear water and a lint-free cloth.
3. *Combination stains* (chocolate, ice cream, gravy, soup, etc.): combination stains are caused by materials that contain both greasy and non-greasy substances. First use the procedures for non-greasy stains as stated above. Then, rinse thoroughly with clear water and thoroughly dry with a lint-free cloth. If greasy stain persists, follow the procedure for greasy stains as stated above. Repeat as necessary.

### Stainless Steel:

Windex and a dry cloth.

### Antique Brass, Brushed Zinc and Black Oxide:

A damp cloth with no cleaning agents.

### Satin Brass:

Pledge.

### Linoleum:

Windex and a dry cloth.

### Contemporary and Traditional Standard Leathers:

Mild soap and water on a soft cloth.

### Spinneybeck Leathers:

As a result of the high quality aniline dye process, most scratches or minor stains can be removed simply by gently rubbing them with your fingers. The body's natural oils revitalize the leather. For stubborn stains, use mild soap and water. Take care to wash the surface evenly since soaps may slightly alter the leather's tonality.

### Surf Collection:

Wipe nylon skin using warm water and mild detergent. Do not use abrasives.

### Office Automation

#### Accessories/Storage Drawers:

Clean with a soft cloth and Windex, Fantastik, Endust or other non-abrasive household cleaners. Remove stubborn stains with SofScrub.

For Surf Board and VDT Sleeve soft touch paints, never use abrasives. Clean with lukewarm water and a soft cloth.

### Marker Boards:

For day-to-day use, surface requires only a dry cleaning with a standard felt eraser or dry cloth. For best results, keep marker board and marker pens at room temperature. KnollExtra suggests Alliance Rite-On Wipe-Off marker pens which are designed for use on marker boards. All marker pens should be tightly capped and stored horizontally when not in use. If Expo brand markers are used, use the manufacturer's recommended cleaning solution, Expo Dry Erase Cleaner.

Follow the instructions below as a periodic maintenance program, or to remove stubborn stains:

1. Clean with EV-1 or any liquid ammonia-added cleaner and rinse with clean water, then dry. For best results, wash board like a window with sponge and squeegee.
2. Interim cleaning may be done by sprinkling a dry powdered cleanser on an eraser and applying to the board in a circular motion. Rinse with clean water, then dry.

3. To remove crayon, scotch tape, or other stubborn materials, apply a mild solvent or paste made with scouring powder and water.

### Fabric Boards:

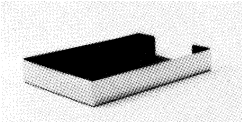
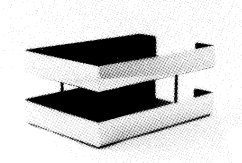
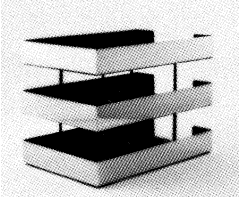
Despite the durability of most panel textiles, fabric boards are subject to long-term soiling and wear. A regular maintenance program will significantly lessen soil and dirt build up or staining on your fabric boards. Cleaning is particularly important in areas adjacent to air conditioning or ventilation systems.

Remember to consult the care instructions provided by the fabric manufacturer. The general recommendations below should apply to most fabric boards.

1. Avoid excessive heat or moisture which can affect finishes and adhesives. Never allow fabric panels to become wet inside the core. Room temperature should be maintained between 50 and 85 degrees; humidity should be maintained between 20 and 50%.
2. Avoid contact with sharp edges which could puncture the surface.
3. Do not handle fabric boards more than necessary. Avoid bending or flexing the panels; this could break the bond between the surface and core materials.
4. Grease or oil should be wiped off immediately upon contact. Remove excess grease or oil by blotting. Use hot water and mild soap to remove any remaining residue.
5. Whenever possible, clean only with warm water and mild soap. Use caution when applying cleaning agents, particularly those that contain alcohol, strong alkalis, or solvents. These ingredients may react to the vinyl backing or adhesives used in the fabric boards. Always test cleaning agents on fabric from the rear of the panel before using on the front.
6. Care should be taken in using strong room cleaners or pesticides. Their fumes may contain agents which lead to the loosening of the fabric board glue bond.

**This page intentionally left blank**

The Smokador™ Collection  
*Exec Rectilinear*  
 letter trays

| product  | description   | w   | d   | h       | wgt.           |
|--|---|-----|-----|---------|----------------|
| Single Letter Tray<br>  | Legal size. Matte black interior with black linoleum floor pad. Recessed rubber feet and black felt bottom prevent scuffing.  | 10" | 15" | 2 1/4"  | 4 lbs. 5 ozs.  |
| Double Letter Tray<br>  | Legal size. Matte black interiors with black linoleum floor pads and matte black posts. 2 1/2" between trays. Recessed rubber feet and black felt bottom prevent scuffing. Shipped fully assembled. | 10" | 15" | 6 1/2"  | 9 lbs. 2 ozs.  |
| Triple Letter Tray<br> | Legal size. Matte black interiors with black linoleum floor pads and matte black posts. 2 1/2" between trays. Recessed rubber feet and black felt bottom prevent scuffing. Shipped fully assembled. | 10" | 15" | 11 1/2" | 13 lbs. 2 ozs. |

**Order Code**

|                                |
|--------------------------------|
| Example: <b>1901-BO</b>        |
| <b>1901</b> Single letter tray |
| <b>BO</b> Black oxide          |

**Ordering Information**

- Specify:*
1. Pattern number
  2. Finish
  3. Pattern suffix (Pen Set only)

*Metal finishes:*  
 Black Oxide (BO)  
 Brushed Zinc (BZ)  
 Brushed Steel (BS)

**Custom Options**

Special sized letter and memo trays available. 100 piece minimum per line item.

Custom finishes available upon sample chip approval. 25 piece minimum per line item. Production set up fee varies by product. Contact your KnollExtra representative or Customer Service for complete pricing information.



| pattern no. | black oxide | brushed steel and<br>brushed zinc |
|-------------|-------------|-----------------------------------|
| 1901        | \$165.      | \$208.                            |
| 1901-2      | 372.        | 459.                              |
| 1901-3      | 565.        | 696.                              |

### Construction


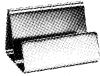
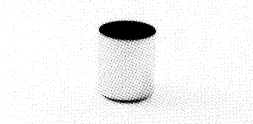

Black Oxide (BO) finish is a matte black hand-applied coating over steel.

Brushed Zinc (BZ) is zinc-plated brushed steel with a semi-gloss lacquer finish.

Brushed Steel (BS) is brushed steel with a lacquer finish.

Manufactured in the United States.

The Smokador™ Collection  
*Exec Rectilinear*  
*desk accessories*

| product  | description   | w      | d      | h      | wgt.         |
|--|---|--------|--------|--------|--------------|
| Memo Box   | Matte black interior. Includes 4" x 6" memo paper. Non-skid rubber pad on bottom. | 4 1/4" | 6 1/4" | 3/8"   | 1 lb. 4 ozs. |
|   |   |        |        |        |              |
| Business Card Holder   | Felt base. Available in black oxide only.   | 3 1/2" | 2"     | 2"     | 6 ozs.       |
|   |   |        |        |        |              |
| Round Pencil Cup   | Matte black interior. Non-skid rubber pad on bottom.                              | 3 1/8" |        | 3 1/2" | 9 ozs.       |
|   |   |        |        |        |              |
| Round Clip Cup   | Matte black interior. Non-skid rubber pad on bottom.                              | 3"     |        | 2"     | 8 ozs.       |
|  |   |        |        |        |              |

**Order Code**

|                         |              |
|-------------------------|--------------|
| Example: <b>1905-BZ</b> |              |
| <b>1905</b>             | Memo box     |
| <b>BZ</b>               | Brushed zinc |

**Ordering Information**

*Specify:*  
 1. Pattern number  
 2. Finish

*Metal finishes:*  
 Black Oxide (BO)  
 Brushed Zinc (BZ)  
 Brushed Steel (BS)

**Custom Options**

Special sized letter and memo trays available. 100 piece minimum per line item.

Custom finishes available upon sample chip approval. 25 piece minimum per line item. Production set up fee varies by product. Contact your KnollExtra representative or Customer Service for complete pricing information.

| pattern no. | black oxide | brushed steel and<br>brushed zinc |
|-------------|-------------|-----------------------------------|
| <b>1905</b> | \$101.      | \$108.                            |
| <b>1906</b> | 73.         |                                   |
| <b>1915</b> | 79.         | 85.                               |
| <b>1916</b> | 93.         | 101.                              |

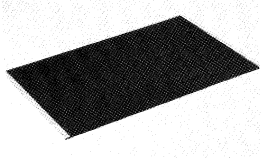
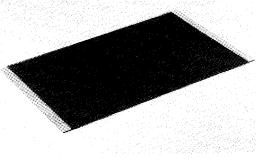
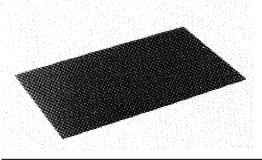
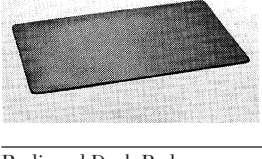


### Construction

Brushed zinc is zinc-plated brushed steel with a semi-gloss lacquer finish.

Brushed steel is brushed steel with a lacquer finish.

Black oxide finish is a matte black hand-applied coating over steel.

The Smokador™ Collection  
*Exec Rectilinear*  
*desk pads*

| product   | description  | w   | d   | wt.            |
|---|--|-----|-----|----------------|
| Desk Pad: 3/4" Side Panels<br>   | Black linoleum with felt back. 3/4" wide flush rectilinear side panels in specified finish.    | 34" | 20" | 5 lbs.         |
|   |  | 38" | 24" | 7 lbs. 12 ozs. |
| Desk Pad: 1 1/2" Side Panels<br> | Black linoleum with felt back. 1 1/2" wide raised rectilinear side panels in specified finish. | 34" | 20" | 5 lbs.         |
|   |  | 38" | 24" | 7 lbs. 12 ozs. |
| Rectilinear Desk Pad<br>         | Black linoleum with felt back. Rectilinear edge detail. No side panels.                        | 34" | 20" | 4 lbs.         |
|   |  | 38" | 24" | 5 lbs.         |
| Conference Pad<br>             | Black linoleum with felt back. Rectilinear edge detail.  | 18" | 12" | 1 lb. 6 ozs.   |
| Radiused Desk Pad<br>          | Black linoleum with felt back. Radiused edge detail. No side panels.                           | 23" | 17" | 3 lbs. 8 ozs.  |
|   |  | 30" | 18" | 3 lbs. 12 ozs. |
|   |  | 34" | 20" | 4 lbs.         |
|   |  | 38" | 24" | 5 lbs.         |
| Oval Conference Pad<br>        | Black linoleum with felt back.   | 18" | 12" | 1 lbs. 4 ozs.  |

**Order Code**

|                            |                                |
|----------------------------|--------------------------------|
| Example: <b>1912-31-BO</b> |                                |
| <b>1912-31</b>             | Desk pad with 3/4" side panels |
| <b>BO</b>                  | Black Oxide                    |

**Ordering Information**

- Specify:*
1. Pattern number
  2. Finish(when applicable)
- Metal finishes:*  
 Black Oxide (BO)  
 Brushed Zinc (BZ)  
 Brushed Steel (BS)

**Custom Options**

Additional linoleum colors available. Special sizes available up to 34"W x 28"D. 50 piece minimum on all custom desk pads. Contact your KnollExtra representative or Customer Service for complete pricing information.

| pattern no. | black linoleum | black oxide | brushed steel and<br>brushed zinc |
|-------------|----------------|-------------|-----------------------------------|
| 1912-31     |                | \$215.      |                                   |
| 1912-41     |                | 228.        |                                   |
| 1912-32     |                | 228.        | 251.                              |
| 1912-42     |                | 237.        |                                   |
| 1912-30     | 93.            |             |                                   |
| 1912-40     | 108.           |             |                                   |
| 1912-20     | 51.            |             |                                   |
| 012-1       | 66.            |             |                                   |
| 012-2       | 84.            |             |                                   |
| 012-3       | 93.            |             |                                   |
| 012-4       | 108.           |             |                                   |
| 512-20      | 51.            |             |                                   |

### Construction

#### *Desk accessories:*

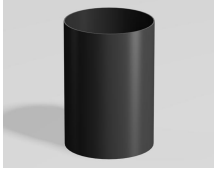
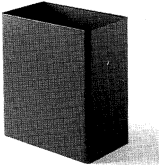
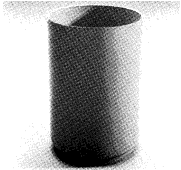
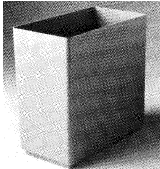
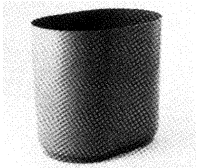
Brushed zinc is zinc-plated brushed steel with a semi-gloss lacquer finish.

Brushed steel is brushed steel with a lacquer finish.

Black oxide finish is a matte black hand-applied coating over steel.

All items are manufactured in the United States.

The Smokador™ Collection  
*Exec Rectilinear*  
*waste baskets*

| product   | description  | w      | d       | h       | wgt.   |
|---|--|--------|---------|---------|--------|
|    | Black oxide exterior with matte black interior.<br>Non-toxic. 15 qt. capacity. | 10"    |         | 14 3/4" | 5 lbs. |
|    | Black oxide exterior with matte black interior.<br>Non-toxic. 24 qt. capacity. | 8"     | 13"     | 13 1/2" | 7 lbs. |
|   | 15 qt. capacity.   | 10"    |         | 13 3/4" | 4 lbs. |
|  | 24 qt. capacity.   | 8 3/8" | 15"     | 13 3/4" | 5 lbs. |
|  | 26 qt. capacity.   | 10"    | 15 1/2" | 13 3/4" | 6 lbs. |

**Order Code**

|                              |
|------------------------------|
| Example: <b>050-BO</b>       |
| <b>050</b> Round wastebasket |
| <b>BO</b> Black Oxide        |

**Ordering Information**

*Specify:*

1. Pattern number
2. Finish(when applicable)

*Round wastebasket Metal finishes:*  
Black Oxide (BO)

*Standard plastic finishes:*  
Black (BK)

**Custom Options**

Custom finishes available upon sample chip approval. 750 piece minimum on plated finishes; 100 piece minimum on painted finishes. Production set up fee varies by finish. Contact your KnollExtra representative or Customer Service for complete pricing information.

| pattern no. | standard plastic | black oxide |
|-------------|------------------|-------------|
| 050         | n/a              | \$108.      |
| 055-BO      | n/a              | 187.        |
| 250         | 55.              | n/a         |
| 255         | 66.              | n/a         |
| 256         | 75.              | n/a         |

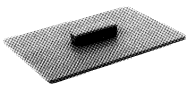

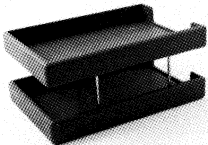
**Construction**

*Plastic Wastebaskets:*  
 Custom colors available upon sample chip approval. \$250 color match fee and 500 piece minimum per line item. Contact your KnollExtra representative or Customer Service for complete pricing information.

*Metal Wastebaskets:*  
 The black oxide finish is a matte black hand-applied coating over steel.  
  
*Plastic Wastebaskets:*  
*Round-* High impact polystyrene.  
*Rectilinear and oval-* High impact crystal styrene.

All items are manufactured in the United States.

The Smokador™ Collection  
*Contemporary Leather*  
*letter trays*

| product   | description  | type | w       | d       | h      | wgt.   |
|---|--|------|---------|---------|--------|--------|
| Letter Tray Cover   | Legal size. Suede bottom.  |      | 10 1/2" | 14 1/2" |        | 2 lbs. |
|  |  |      |         |         |        |        |
| Single Letter Tray  | Legal size. Suede bottom.  |      | 11 1/4" | 15 1/4" | 2"     | 3 lbs. |
|  |  |      |         |         |        |        |
| Double Letter Tray  | Legal size. Suede bottom. Non-scuffing recessed rubber feet. Chrome posts on standard black leather. Specify chrome or brass posts on all other leather selections. Shipped fully assembled. |      | 11 1/4" | 15 1/4" | 6 1/2" | 6 lbs. |
|  |  |      |         |         |        |        |

**Order Code**

|               |                           |
|---------------|---------------------------|
| Example:      | <b>3301-2-VP-MB-VP556</b> |
| <b>3301-2</b> | Double letter tray        |
| <b>VP</b>     | Velluto Pelle             |
| <b>MB</b>     | Mirror brass posts        |
| <b>VP556</b>  | Sage                      |

**Ordering Information**

*Specify:*

1. Pattern number
2. Leather selection
3. Hardware selection (Double Letter Tray only)

*Standard leathers:*  
 Black (BK)  
 Burgundy (BG)  
 Camel (CA)

*Spinneybeck leathers:*  
 Velluto Pelle (VP)  
 Sabrina (SA)

More than 100 rich colors are available in Sabrina and Velluto Pelle. To view the complete color selection, please contact your KnollExtra representative or Spinneybeck.

Please note that 10 or more units are required on all Spinneybeck orders.

*Double letter tray hardware:*  
 Mirror Chrome (MC)  
 Mirror Brass (MB)

**Custom Options**

Customer's own leather (COL) available upon approval of sample. 10 unit minimum on all specials. Upcharges based on number of cowhides required for production. Contact your KnollExtra representative or Customer Service for complete pricing information.



| pattern no.   | standard leather | Velluto Pelle | Sabrina |
|---------------|------------------|---------------|---------|
| <b>3333</b>   | \$215.           | \$278.        | \$306.  |
| <b>3301</b>   | 301.             | 387.          | 437.    |
| <b>3301-2</b> | 656.             | 810.          | 879.    |

### Construction

#### *Standard leathers:*

Standard leathers are only top grain cowhide with a matte finish. Natural markings as well as subtle variations in color will appear in the leather. These are unmistakable hallmarks of top grain leather.

Standard leathers resist fading and repel both moisture and stains. Because this leather is fire-resistant; it emits no toxic fumes when exposed to high temperatures.

#### *Spinneybeck Sabrina (SA):*




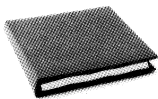
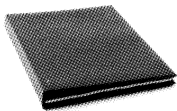
A durable, immersion aniline-dyed, full grain kip leather which has received a protective surface finish. The superbly soft hand is achieved by its fine quality and light weight.

#### *Spinneybeck Velluto Pelle (VP):*

An Italian immersion aniline-dyed, cowhide leather which retains its full natural grain. It is shielded by an impregnated, breathable finish which is an integral part of the surface.

Manufactured in the United States, using domestic and Spinneybeck Italian leathers.

The Smokador™ Collection  
*Contemporary Leather*  
*desk accessories*

| product   | description   | type     | w      | d       | h      | wt.          |
|---|---|----------|--------|---------|--------|--------------|
| Memo Box  | Includes 4" x 6" memo paper. Suede bottom.                    |          | 5 1/4" | 7 1/4"  | 3/4"   | 1 lb.        |
|    |   |          |        |         |        |              |
| Pencil Cup  | Suede bottom.   |          | 3 1/4" | 3 1/4"  | 3 3/8" | 1 lb.        |
|    |   |          |        |         |        |              |
| Coasters  | Set of four. Circular leather or black linoleum. Felt bottom. | Leather  |        | 3 1/4"  |        | 4 ozs. (set) |
|   |   | Linoleum |        | 3 1/4"  |        | 4 ozs. (set) |
|    |   |          |        |         |        |              |
| Appointment Book  | Includes 7" x 8 1/2" Keith Clark "Weekly-Minder."             |          | 8 1/4" | 9 1/4"  |        | 3 lbs.       |
|   |   |          |        |         |        |              |
| Note Pad Holder   | Includes a 8 1/2" x 11" ruled white pad.                      |          | 8 7/8" | 13 1/4" |        | 3 lbs.       |
|  |   |          |        |         |        |              |

**Order Code**

|                              |
|------------------------------|
| Example: <b>3343-BK</b>      |
| <b>3343</b> Appointment Book |
| <b>BK</b> Black              |

**Ordering Information**

- Specify:*
1. Pattern number
  2. Leather selection

*Standard leathers:*  
 Black (BK)  
 Burgundy (BG)  
 Camel (CA)

*Spinneybeck leathers:*  
 Velluto Pelle (VP)  
 Sabrina (SA)

More than 100 rich colors are available in Sabrina and Velluto Pelle. To view the complete color selection, please contact your KnollExtra representative or Spinneybeck.

Please note that 10 or more units are required on all Spinneybeck orders.

| pattern no. | linoleum | standard leather | Velluto Pelle | Sabrina |
|-------------|----------|------------------|---------------|---------|
| 3305        |          | \$208.           | \$251.        | \$278.  |
| 3315        |          | 180.             | 237.          | 265.    |
| 3319-4      |          | 65.              | 93.           | 123.    |
| 3319-4-LN   | 28.      |                  |               |         |
| 3343        |          | 251.             | 316.          | 351.    |
| 3345        |          | 251.             | 316.          | 351.    |

**Custom Options**

Customer's own leather (COL) available upon approval of sample. 10 unit minimum on all specials. Upcharges based on number of cowhides required for production. Contact your KnollExtra representative or Customer Service for complete pricing information.

**Construction**

*Standard leathers:*  
Standard leathers are only top grain cowhide with a matte finish. Natural markings as well as subtle variations in color will appear in the leather. These are unmistakable hallmarks of top grain leather.


Standard leathers resist fading and repel both moisture and stains. Because this leather is fire-resistant; it emits no toxic fumes when exposed to high temperatures.


*Spinneybeck Sabrina (SA):*  
A durable, immersion aniline-dyed, full grain kip leather which has received a protective surface finish. The superbly soft hand is achieved by its fine quality and light weight.

*Spinneybeck Velluto Pelle (VP):*  
An Italian immersion aniline-dyed, cowhide leather which retains its full natural grain. It is shielded by an impregnated, breathable finish which is an integral part of the surface.

Manufactured in the United States, using domestic and Spinneybeck Italian leathers.

The Smokador™ Collection  
*Contemporary Leather*  
*desk accessories*

| product  | description  | type | w      | d    | h      | wt.   |
|--|--|------|--------|------|--------|-------|
| Picture Frame<br> | Sized for 4" x 6" photographs or 5" x 7" photographs. Easel-style stand. Frame is available in Spinneybeck leathers as a special only. |      | 5 3/4" | 3/4" | 7 3/4" | 1 lb. |
|  | Sized for 4" x 6" photographs or 5" x 7" photographs. Easel-style stand. Frame is available in Spinneybeck leathers as a special only. |      | 6 3/4" | 3/4" | 8 3/4" | 1 lb. |

|  |  |  |    |    |    |               |
|--|--|--|----|----|----|---------------|
| Book Ends<br> | Suede interior facing. Suede under black steel bottom plate. |  | 5" | 6" | 5" | 3 lbs. 8 ozs. |
|--|--|--|----|----|----|---------------|

**Order Code**

|                              |
|------------------------------|
| Example: <b>3343-BK</b>      |
| <b>3343</b> Appointment Book |
| <b>BK</b> Black              |

**Ordering Information**

*Specify:*

1. Pattern number
2. Leather selection

*Standard leathers:*

Black (BK)  
 Burgundy (BG)  
 Camel (CA)

*Spinneybeck leathers:*

Velluto Pelle (VP)  
 Sabrina (SA)

More than 100 rich colors are available in Sabrina and Velluto Pelle. To view the complete color selection, please contact your KnollExtra representative or Spinneybeck.

Please note that 10 or more units are required on all Spinneybeck orders.

| pattern no.    | linoleum | standard leather | Velluto Pelle | Sabrina |
|----------------|----------|------------------|---------------|---------|
| 3370 (4" x 6") |          | \$192.           |               |         |
| 3371 (5" x 7") |          | 203.             |               |         |
| 3304           |          | 344.             | 400.          | 443.    |

**Custom Options**

Customer's own leather (COL) available upon approval of sample. 10 unit minimum on all specials. Upcharges based on number of cowhides required for production. Contact your KnollExtra representative or Customer Service for complete pricing information.

**Construction**

*Standard leathers:*  
Standard leathers are only top grain cowhide with a matte finish. Natural markings as well as subtle variations in color will appear in the leather. These are unmistakable hallmarks of top grain leather.


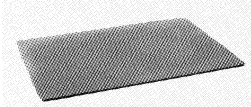
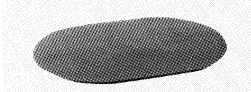
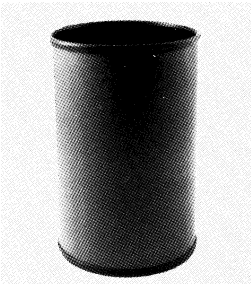
Standard leathers resist fading and repel both moisture and stains. Because this leather is fire-resistant; it emits no toxic fumes when exposed to high temperatures.

*Spinneybeck Sabrina (SA):*  
A durable, immersion aniline-dyed, full grain kip leather which has received a protective surface finish. The superbly soft hand is achieved by its fine quality and light weight.

*Spinneybeck Velluto Pelle (VP):*  
An Italian immersion aniline-dyed, cowhide leather which retains its full natural grain. It is shielded by an impregnated, breathable finish which is an integral part of the surface.

Manufactured in the United States, using domestic and Spinneybeck Italian leathers.

The Smokador™ Collection  
*Contemporary Leather  
 deskpad and wastebaskets*

| product   | description   | type                     | w   | d       | wt.           |
|---|---|--------------------------|-----|---------|---------------|
| Desk Pad: 4" Side Panels<br>   | Black linoleum with black felt back. 4" wide raised side panels in specified leather. | Desk Pad: 4" Side Panels | 34" | 20"     | 6 lbs.        |
|   |   | Desk Pad: 4" Side Panels | 38" | 24"     | 7 lbs.12 ozs. |
| Rectilinear Conference Pad<br> | Leather or black linoleum. Black felt back.   | Leather                  | 18" | 12"     | 3 lbs. 6 ozs. |
|   |   | Linoleum                 | 18" | 12"     | 1 lb. 6 ozs.  |
| Oval Conference Pad<br>        | Leather or black linoleum. Black felt back.   | Leather                  | 18" | 12"     | 2 lbs. 9 ozs. |
|   |   | Linoleum                 | 18" | 12"     | 1 lb. 4 ozs.  |
| Round Wastebasket<br>         | Black interior. Steel covered with leather.   | Round Wastebasket        | 10" | 14 3/4" | 6 lbs.        |

**Order Code**

|               |                    |
|---------------|--------------------|
| Example:      | <b>3312-4-BK</b>   |
| <b>3312-4</b> | 38" x 24" desk pad |
| <b>BK</b>     | Black              |

**Ordering Information**

*Specify:*  
 1. Pattern number  
 2. Leather selection

*Standard leathers:*  
 Black (BK)  
 Burgundy (BG)  
 Camel (CA)

*Spinneybeck leathers:*  
 Velluto Pelle (VP)  
 Sabrina (SA)

More than 100 rich colors are available in Sabrina and Velluto Pelle. To view the complete color selection, please contact your KnollExtra representative or Spinneybeck.

Please note that 10 or more units are required on all Spinneybeck orders.

**Custom Options**

Custom sized leather conference pads available in sizes up to 38"W x 24"D (rectangular) and 18"W x 12"D (oval). Customer's own leather (COL) available upon approval of sample. 10 unit minimum on all specials. Upcharges based on number of cowhides required for production. Contact your KnollExtra representative or Customer Service for complete pricing information.

| pattern no.    | black linoleum | standard leather | Velluto Pelle | Sabrina |
|----------------|----------------|------------------|---------------|---------|
| <b>3312-3</b>  |                | \$223.           | \$306.        | \$344.  |
| <b>3312-4</b>  |                | 251.             | 335.          | 372.    |
| <b>3313</b>    |                | 215.             | 256.          | 287.    |
| <b>1912-20</b> | 51.            |                  |               |         |
| <b>3314</b>    |                | 215.             | 256.          | 287.    |
| <b>512-20</b>  | 51.            |                  |               |         |
| <b>3350</b>    |                | 251.             | 329.          | 379.    |

### Construction

#### *Standard leathers:*

Standard leathers are only top grain cowhide with a matte finish. Natural markings as well as subtle variations in color will appear in the leather. These are unmistakable hallmarks of top grain leather.

Standard leathers resist fading and repel both moisture and stains. Because this leather is fire-resistant; it emits no toxic fumes when exposed to high temperatures.

#### *Spinneybeck Sabrina (SA):*

A durable, immersion aniline-dyed, full grain kip leather which has received a protective surface finish. The superbly soft hand is achieved by its fine quality and light weight.

#### *Spinneybeck Velluto Pelle (VP):*

An Italian immersion aniline-dyed, cowhide leather which retains its full natural grain. It is shielded by an impregnated, breathable finish which is an integral part of the surface.

Manufactured in the United States, using domestic and Spinneybeck Italian leathers.

The Smokador™ Collection  
*Traditional Leather*  
*desk accessories*

| product   | description   | type | w                                | d                               | h                               | wgt.        |
|---|---|------|----------------------------------|---------------------------------|---------------------------------|-------------|
| Letter Tray Cover<br>  | Legal size. Suede bottom. Leather wrapped handle and cover. |      | 9 <sup>5</sup> / <sub>8</sub> "  | 14"                             |                                 | 2 lbs.      |
| Single Letter Tray<br> | Legal size. Suede bottom.                                   |      | 10 <sup>1</sup> / <sub>2</sub> " | 15"                             | 2 <sup>1</sup> / <sub>2</sub> " | 2 lbs.      |
| Book Ends<br>          | 2 per set. Suede bottoms.                                   |      | 4"                               | 4 <sup>5</sup> / <sub>8</sub> " | 6 <sup>1</sup> / <sub>2</sub> " | 6 lbs.      |
| Memo Box<br>          | Includes 5" x 8" memo paper. Suede bottom.                  |      | 6"                               | 9"                              | 1 <sup>1</sup> / <sub>4</sub> " | 1 lb. 8 oz. |
| Pencil Cup<br>       | Leather wrapped. Suede bottom.                              |      | 3"                               | 3 <sup>1</sup> / <sub>2</sub> " | 4"                              | 1 lb.       |

**Order Code**

|                         |                    |
|-------------------------|--------------------|
| Example: <b>3601-BK</b> |                    |
| <b>3601</b>             | Single letter tray |
| <b>BK</b>               | Black              |

**Ordering Information**

*Specify:*

1. Pattern number
2. Leather selection
3. Hardware selection (Calendar set)

*Standard leathers:*

Black (BK)  
 Burgundy (BG)  
 Myrtle (MR)

*Spinneybeck leathers:*

Velluto Pelle (VP)  
 Sabrina (SA)

More than 100 rich colors are available in Sabrina and Velluto Pelle. To view the complete color selection, please contact your KnollExtra representative or Spinneybeck.

Please note that 10 or more units are required on all Spinneybeck orders.

**Custom Options**

Customer's own leather (COL) available upon approval of sample. 10 unit minimum on all specials. Upcharges based on number of cowhides required for production. Contact your KnollExtra representative or Customer Service for complete pricing information.



| pattern no. | standard leather | Velluto Pelle | Sabrina |
|-------------|------------------|---------------|---------|
| 3633        | \$237.           | \$306.        | \$322.  |
| 3601        | 335.             | 450.          | 493.    |
| 3604        | 409.             | 465.          | 493.    |
| 3605        | 237.             | 301.          | 329.    |
| 3615        | 193.             | 228.          | 256.    |

### Construction

#### *Standard leathers:*

Standard leathers are only top grain cowhide with a matte finish. Natural markings as well as subtle variations in color will appear in the leather. These are unmistakable hallmarks of top grain leather.

Standard leathers resist fading and repel both moisture and stains. Because this leather is fire-resistant; it emits no toxic fumes when exposed to high temperatures.

#### *Spinneybeck Sabrina (SA):*

A durable, immersion aniline-dyed, full grain kip leather which has received a protective surface finish. The superbly soft hand is achieved by its fine quality and light weight.

#### *Spinneybeck Velluto Pelle (VP):*

An Italian immersion aniline-dyed, cowhide leather which retains its full natural grain. It is shielded by an impregnated, breathable finish which is an integral part of the surface.

Manufactured in the United States, using domestic and Spinneybeck Italian leathers.

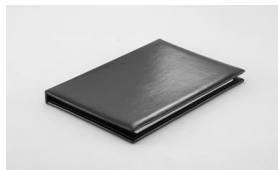
The Smokador™ Collection  
*Traditional Leather*  
*desk accessories*

| product | description | type | w | d | h | wt. |
|---------|-------------|------|---|---|---|-----|
|---------|-------------|------|---|---|---|-----|

|                  |  |  |        |        |  |        |
|------------------|--|--|--------|--------|--|--------|
| Appointment Book | Includes a 7" x 8 3/4" Keith Clark "Weekly- Minder." |  | 8 3/4" | 9 1/4" |  | 2 lbs. |
|------------------|--|--|--------|--------|--|--------|



|                 |  |  |        |         |  |               |
|-----------------|--|--|--------|---------|--|---------------|
| Note Pad Holder | Includes a 8 1/2" x 11" ruled white pad. |  | 8 3/4" | 13 1/8" |  | 2 lbs. 8 ozs. |
|-----------------|--|--|--------|---------|--|---------------|



**Order Code**

|                         |                    |
|-------------------------|--------------------|
| Example: <b>3601-BK</b> |                    |
| <b>3601</b>             | Single letter tray |
| <b>BK</b>               | Black              |

**Ordering Information**

*Specify:*

1. Pattern number
2. Leather selection
3. Hardware selection (Calendar set)

*Standard leathers:*

Black (BK)  
 Burgundy (BG)  
 Myrtle (MR)

*Spinneybeck leathers:*

Velluto Pelle (VP)  
 Sabrina (SA)

More than 100 rich colors are available in Sabrina and Velluto Pelle. To view the complete color selection, please contact your KnollExtra representative or Spinneybeck.

Please note that 10 or more units are required on all Spinneybeck orders.

**Custom Options**

Customer's own leather (COL) available upon approval of sample. 10 unit minimum on all specials. Upcharges based on number of cowhides required for production. Contact your KnollExtra representative or Customer Service for complete pricing information.

| pattern no. | standard leather | Velluto Pelle | Sabrina |
|-------------|------------------|---------------|---------|
| 3643        | \$301.           | \$364.        | \$392.  |
| 3645        | 301.             | 364.          | 392.    |

### Construction

#### *Standard leathers:*

Standard leathers are only top grain cowhide with a matte finish. Natural markings as well as subtle variations in color will appear in the leather. These are unmistakable hallmarks of top grain leather.

Standard leathers resist fading and repel both moisture and stains. Because this leather is fire-resistant; it emits no toxic fumes when exposed to high temperatures.

#### *Spinneybeck Sabrina (SA):*


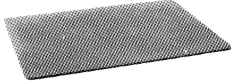

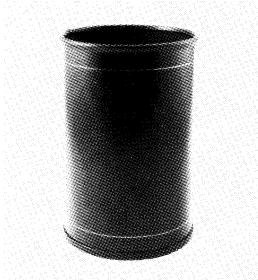
A durable, immersion aniline-dyed, full grain kip leather which has received a protective surface finish. The superbly soft hand is achieved by its fine quality and light weight.

#### *Spinneybeck Velluto Pelle (VP):*

An Italian immersion aniline-dyed, cowhide leather which retains its full natural grain. It is shielded by an impregnated, breathable finish which is an integral part of the surface.

Manufactured in the United States, using domestic and Spinneybeck Italian leathers.

The Smokador™ Collection  
*Traditional Leather*  
*desk pads and wastebaskets*

| product   | description  | type     | w   | d   | h   | wt.           |
|---|--|----------|-----|-----|-----|---------------|
| Desk Pad: 3 1/2" Side Panels<br> | Black linoleum with black felt back. 3 1/2" wide raised side panels. |          | 34" | 20" |     | 6 lbs.        |
|   |  |          | 38" | 24" |     | 7 lbs. 6 ozs. |
| Rectilinear Conference Pad<br>   | Leather or black linoleum. Black felt back.                          | Leather  | 18" | 12" |     | 3 lbs. 6 ozs. |
|   |  | Linoleum | 18" | 12" |     | 1 lb. 6 ozs.  |
| Oval Conference Pad<br>          | Leather or black linoleum. Black felt back.                          | Leather  | 18" | 12" |     | 2 lbs. 9 ozs. |
|   |  | Linoleum | 18" | 12" |     | 1 lb. 4 ozs.  |
| Round Wastebasket<br>           | Black interior. Steel covered with leather.                          |          | 10" |     | 15" | 6 lbs.        |

**Order Code**

|               |                      |
|---------------|----------------------|
| Example:      | <b>3612-4-SA-764</b> |
| <b>3612-4</b> | 38 "x24 "Desk pad    |
| <b>SA</b>     | Sabrina              |
| <b>764</b>    | Clay                 |

**Ordering Information**

*Specify:*  
 1. Pattern number  
 2. Leather selection

*Standard leathers:*  
 Black (BK)  
 Burgundy (BG)  
 Myrtle (MR)

*Spinneybeck leathers:*  
 Velluto Pelle (VP)  
 Sabrina (SA)

More than 100 rich colors are available in Sabrina and Velluto Pelle. To view the complete color selection, please contact your KnollExtra representative or Spinneybeck.

Please note that 10 or more units are required on all Spinneybeck orders.

**Custom Options**

Custom sized leather conference pads available in sizes up to 38"W x 24"D (rectangular) and 18"W x 12"D (oval). Customer's own leather (COL) available upon approval of sample. 10 unit minimum on all specials. Upcharges based on number of cowhides required for production. Contact your KnollExtra representative or Customer Service for complete pricing information.

| pattern no.    | black linoleum | standard leather | Velluto Pelle | Sabrina |
|----------------|----------------|------------------|---------------|---------|
| <b>3612-3</b>  |                | \$243.           | \$306.        | \$344.  |
| <b>3612-4</b>  |                | 273.             | 335.          | 372.    |
| <b>3613</b>    |                | 223.             | 287.          | 301.    |
| <b>1912-20</b> | 51.            |                  |               |         |
| <b>3614</b>    |                | 223.             | 287.          | 301.    |
| <b>512-20</b>  | 51.            |                  |               |         |
| <b>3650</b>    |                | 322.             | 392.          | 422.    |

## Construction

### *Standard leathers:*

Standard leathers are only top grain cowhide with a matte finish. Natural markings as well as subtle variations in color will appear in the leather. These are unmistakable hallmarks of top grain leather.

Standard leathers resist fading and repel both moisture and stains. Because this leather is fire-resistant; it emits no toxic fumes when exposed to high temperatures.

### *Spinneybeck Sabrina (SA):*

A durable, immersion aniline-dyed, full grain kip leather which has received a protective surface finish. The superbly soft hand is achieved by its fine quality and light weight.

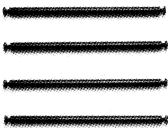

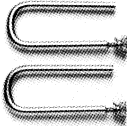
### *Spinneybeck Velluto Pelle (VP):*

An Italian immersion aniline-dyed, cowhide leather which retains its full natural grain. It is shielded by an impregnated, breathable finish which is an integral part of the surface.

Manufactured in the United States, using domestic and Spinneybeck Italian leathers.

# The Smokador™ Collection

## Replacement Parts

| product  | description   | d    | h      |
|--|---|------|--------|
|   | Metal Letter Tray Stacking Posts<br>4 per set, with screws. For use with the Contemporary Leather and Exec Rectilinear Collections. Available in mirror chrome, mirror brass, and matte black only. | 1/4" | 4 1/4" |
|   | Letter Tray Stacking Post Threaded Rods<br>4 per set. For use with stacking posts for the Contemporary Leather and Exec Rectilinear Collections.  |      |        |
|  | Metal Calendar Arches<br>2 per set with knurled nuts. For use with the Contemporary Leather and Traditional Leather. Available in mirror chrome and mirror brass.                                   |      |        |

### Order Code

|                |                                  |
|----------------|----------------------------------|
| Example:       | <b>001-214-MC</b>                |
| <b>001-214</b> | Metal letter tray stacking posts |
| <b>MC</b>      | Mirror chrome                    |

### Ordering Information

- Specify:*
1. Pattern number
  2. Finish (except Threaded Rods)
- Metal calendar arch finishes:*  
 Mirror Chrome (MC)  
 Mirror Brass (MB)

- Metal letter tray post finishes:*  
 Mirror Brass (MB)  
 Matte Black (BK)  
 Mirror Chrome (MC)


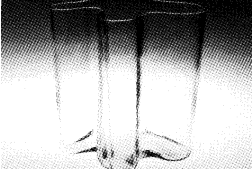


| pattern no.    | list price   |
|----------------|--------------|
| <b>001-214</b> | <b>\$28.</b> |

|                |           |
|----------------|-----------|
| <b>001-315</b> | <b>8.</b> |
|----------------|-----------|

|               |            |
|---------------|------------|
| <b>009-12</b> | <b>19.</b> |
|---------------|------------|

# International Collection

## Glassware

| product   | description   | type  | h                          | wt.  |
|---|---|---|----------------------------|--|
| <b>Aalto Vase</b><br>        | Designed by Alvar Aalto, 1933-36. Permanent collection of the New York Museum of Modern Art. Available in clear and opal.                           |   | 3 3/4"<br>4 3/4"<br>6 1/4" |  |
| <b>Savoy Vase</b><br>        | Designed by Alvar Aalto, 1936. Larger, less convoluted versions of the Aalto Vases. Exhibited at the 1937 World Exhibition in Paris. Clear crystal. |   | 24"<br>8"                  |  |
| <b>Flower Vase</b><br>      | Designed by Alvar Aalto. This vase is wider at top than the bottom, following the wavy style of the Aalto and Savoy vases. Available in clear only. |   | 14 1/2"                    |  |
| <b>Aarne Glassware</b><br> | Designed by Goran Hongell, 1948.  | 11 1/2 oz. Double Old Fashioned<br>12 1/2 oz. Highball<br>3 pt. Pitcher<br>7 oz. Old Fashioned<br>Pilsner |                            | 14 ozs.<br>14 ozs.<br>2 lbs. 8 ozs.<br>11 ozs. |

### Order Code

Example: **3030-120-OP**  
**3030-120** 4 3/4" Aalto vase  
**OP** Opal

### Ordering Information

*Specify:*  
 1. Pattern number  
 2. Color (Aalto only)

*Aalto Colors:*  
 Opal (OP)  
 Clear (CL)

*Ordering note:*  
 All crystal pieces are priced and shipped individually.

### Custom Options

Additional barware sizes available. Contact your KnollExtra representative or Customer Service for selection and pricing information.



| pattern no. | opal   | clear  |
|-------------|--------|--------|
| 3030-095    | \$157. | \$157. |
| 3030-120    | 278.   | 278.   |
| 3030-160    | 379.   | 379.   |
| 3031-600    |        | 5,708. |
| 3031-200    |        | 509.   |
| 3032-200    |        | 1,480. |
| 2020-032    |        | 65.    |
| 2020-035    |        | 65.    |
| 2020-150    |        | 223.   |
| 2020-020    |        | 56.    |
| 2020-038    |        | 65.    |

**Construction**

Lead-free crystal.  
Manufactured in Finland.





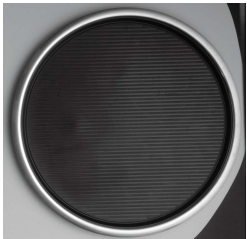
**Design Award**

*Aalto Vase:*  
The International Tabletop Award,  
1988.

*Aarne Glassware:*  
The International Tabletop Award,  
1989.

# International Collection

## *Stainless Boardroom Accessories*

| product   | description  | type | w      | d | h               | wt.            |
|---|--|------|--------|---|-----------------|----------------|
| Large Stainless Carafe<br> | Designed by Erik Magnussen, 1977. Delivered with automatic tilt close top and screw close top options. Glass vacuum liner for serving hot or cold liquids. Matte black plastic top and handle. Available in satin stainless or black oxide finish. 1 liter capacity.   |      | 4"     |   | 12"             | 2 lbs. 11 ozs. |
| Small Stainless Carafe<br> | Designed by Erik Magnussen, 1977. Delivered with automatic tilt close top and screw close top options. Glass vacuum liner for serving hot or cold liquids. Matte black plastic top and handle. Available in satin stainless or black oxide finish. 1/2 liter capacity. |      | 4"     |   | 8 1/4"          | 1 lb. 11 ozs.  |
| Stainless Creamer<br>    | Designed by Erik Magnussen, 1977. Satin stainless. Matte black plastic top. 8 oz. capacity.  |      | 3 1/4" |   | 3 3/4"          | 4 ozs.         |
| Stainless Sugar Bowl<br> | Designed by Erik Magnussen, 1977. Satin stainless. Matte black plastic top. 10 oz. capacity.   |      | 4 1/4" |   | 2 1/4"          | 5 ozs.         |
| Serving Tray<br>         | Designed by Erik Magnussen. Satin stainless with black rubber liner.   |      |        |   | 15" dia. x 3/4" |                |

### Order Code

Example: **STL-900-ST**  
**STL-900** Large stainless carafe  
**ST** Satin stainless

### Ordering Information

*Specify:*  
 1. Pattern number  
 2. Finish (Carafe only)  
  
*Metal finishes:*  
 Satin Stainless (ST)  
 Black Oxide (BO)

### Custom Options

Additional stainless steel accessories available. Contact your KnollExtra representative or Customer Service for selection and pricing information.

| pattern no.     | black oxide | satin stainless | stainless |
|-----------------|-------------|-----------------|-----------|
| <b>STL-900</b>  | \$422.      | \$335.          |           |
| <b>STL-915</b>  | 364.        | 278.            |           |
| <b>STL-1000</b> |             | 123.            |           |
| <b>STL-1100</b> |             | 123.            |           |
| <b>STL-2004</b> |             | 260.            |           |

Boardroom Accessories

**Construction**

Solid, satinized stainless steel that has been lacquered for long-term finish protection. Textured, ABS plastic top and handle. Black oxide finish is painted over stainless steel.

Manufactured in Denmark.

# International Collection

## *Stainless Boardroom Accessories*

| product   | description   | type                   | w       | d | h      | wt.            |
|---|---|------------------------|---------|---|--------|----------------|
|    | Cylinda-line, designed by Arne Jacobsen, 1967. 1 1/2 liter capacity.  |                        | 4"      |   | 8"     | 1 lb. 9 ozs.   |
|    | Cylinda-line, designed by Arne Jacobsen, 1967. 1 1/4 liter capacity.  |                        | 5"      |   | 4 1/4" | 1 lb. 9 ozs.   |
|    | Cylinda-line, designed by Arne Jacobsen, 1967. Includes sugar bowl, creamer, and sugar bowl lid. Spoon not included. Creamer is 2" x 3 3/4". Sugar Bowl is 3" x 2 1/4". | Creamer<br>Sugar Bowl  |         |   |        |                |
|   | Cylinda-line, designed by Arne Jacobsen, 1967. Round tray with straight wall lip and curved handles. Brushed stainless.   |                        | 13 1/8" |   | 1"     | 2 lbs.         |
|  | Cylinda-line, designed by Arne Jacobsen, 1967.  | Small: 35 oz. capacity | 5 1/8"  |   | 4 1/8" | 2 lbs.         |
|  |   |                        | 6 3/4"  |   | 1/2"   | 3 ozs.         |
|  | Cylinda-line, designed by Arne Jacobsen, 1967. Set of 6.  |                        | 3 1/4"  |   | 1/4"   | 10 ozs. (each) |

### Order Code

Example: **STL-900-ST**  
**STL-900** Large stainless carafe  
**ST** Satin stainless

### Ordering Information

*Specify:*  
 1. Pattern number  
 2. Finish (Carafe only)  
  
*Metal finishes:*  
 Satin Stainless (ST)  
 Black Oxide (BO)

### Custom Options

Additional stainless steel accessories available. Contact your KnollExtra representative or Customer Service for selection and pricing information.

| pattern no. | black oxide | satin stainless | stainless |
|-------------|-------------|-----------------|-----------|
| STL-01-2    |             |                 | \$707.    |
| STL-04-2    |             |                 | 707.      |
| STL-06-2    |             |                 | 153.      |
| STL-06-3    |             |                 | 198.      |
| STL-014-2   |             |                 | 316.      |
| STL-05-1    |             |                 | 542.      |
| STL-015-1   |             |                 | 73.       |
| STL-019-1   |             |                 | 171.      |

#### Construction

Solid, satinized stainless steel that has been lacquered for long-term finish protection. Textured, ABS plastic top and handle. Black oxide finish is painted over stainless steel.

Manufactured in Denmark.

# International Collection

## *Stainless Boardroom Accessories*

| product                  | description  | type | w  | d | h    | wt.    |
|--------------------------|--------------|------|----|---|------|--------|
| Stainless Bottle Coaster | Cork insert. |      | 5" |   | 5/8" | 5 ozs. |



|               |  |  |                                   |                                   |                                 |  |
|---------------|--|--|-----------------------------------|-----------------------------------|---------------------------------|--|
| Napkin Holder | Designed by Peter Holmblad Stainless Steel |  | 7 <sup>15</sup> / <sub>16</sub> " | 7 <sup>15</sup> / <sub>16</sub> " | 3 <sup>3</sup> / <sub>4</sub> " |  |
|---------------|--|--|-----------------------------------|-----------------------------------|---------------------------------|--|



### Order Code

Example: **STL-900-ST**  
**STL-900** Large stainless carafe  
**ST** Satin stainless

### Ordering Information

*Specify:*  
 1. Pattern number  
 2. Finish (Carafe only)  
  
*Metal finishes:*  
 Satin Stainless (ST)  
 Black Oxide (BO)

### Custom Options

Additional stainless steel accessories available. Contact your KnollExtra representative or Customer Service for selection and pricing information.

| pattern no.       | black oxide | satin stainless | stainless |
|-------------------|-------------|-----------------|-----------|
| <b>STL-685-13</b> |             |                 | \$85.     |
| <b>STL-486</b>    |             |                 | 154.      |





**Construction**

Solid, satinized stainless steel that has been lacquered for long-term finish protection. Textured, ABS plastic top and handle. Black oxide finish is painted over stainless steel.

Manufactured in Denmark.

# International Collection

## *Plastic Boardroom Accessories*

| product   | description  | w      | d | h       | wt.           |
|---|--|--------|---|---------|---------------|
| Large Plastic Carafe<br>   | Designed by Erik Magnussen, 1977. Automatic tilt-close top. Glass vacuum liner for serving hot or cold liquids. 1 liter capacity. Textured black top. Available in red, black, white and blue. | 4"     |   | 11 3/4" | 2 lbs. 6 ozs. |
| Small Plastic Carafe<br>   | Designed by Erik Magnussen, 1977. Automatic tilt-close top. Glass vacuum liner for serving hot or cold liquids. 1/2 liter capacity. Textured black top. Available in black.                    | 4"     |   | 8 1/4"  | 1 lb. 6 ozs.  |
| Plastic Water Pitcher<br> | Designed by Erik Magnussen, 1977. Textured black top. Available in clear. 1 1/2 liter capacity.  | 4"     |   | 9 1/4"  | 1 lb. 4 ozs.  |
| Plastic Creamer<br>      | Designed by Erik Magnussen, 1977. Textured black top. Available in red, black, white, and blue. 8 oz. capacity.  | 3 1/4" |   | 3 3/4"  | 4 ozs.        |
| Plastic Sugar Bowl<br>   | Designed by Erik Magnussen, 1977. Textured black top. Available in red, black, white, and blue. 10 oz. capacity.   | 4 1/4" |   | 2 1/4"  | 4 ozs.        |

### Order Code

|                             |
|-----------------------------|
| Example: <b>STL-9-30</b>    |
| <b>STL-9</b> Plastic carafe |
| <b>30</b> Black             |

### Ordering Information

*Specify:*

1. Pattern number
2. Finish

*Large carafe, creamer and sugar bowl plastic finishes:*

Red (20)  
 Black (30)  
 White (60)  
 Blue (70)

### Custom Options

*Small carafe finish:*  
 Black (30)

*Water pitcher plastic finishes:*  
 Clear (10)

Additional plastic accessories available. Contact your KnollExtra representative or Customer Service for selection and pricing information.



| pattern no.  | list price |
|--------------|------------|
| <b>STL-9</b> | \$171.     |

|               |      |
|---------------|------|
| <b>STL-15</b> | 137. |
|---------------|------|

|               |     |
|---------------|-----|
| <b>STL-13</b> | 85. |
|---------------|-----|

|               |     |
|---------------|-----|
| <b>STL-10</b> | 48. |
|---------------|-----|

|               |     |
|---------------|-----|
| <b>STL-11</b> | 48. |
|---------------|-----|

**Construction**

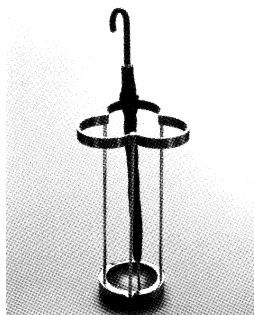
Durable ABS plastic.

Manufactured in Denmark.

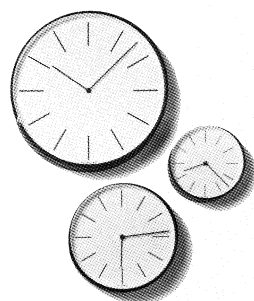
# International Collection

## *Umbrella Stand and Clocks*

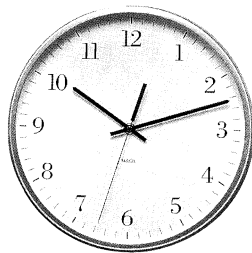
| product            | description  | w   | d   | h   | wt.    |
|--------------------|--|-----|-----|-----|--------|
| Ivy Umbrella Stand | Designed by Emanuela Frattini, 1990. Lightweight aluminum. Comfortably holds 9 umbrellas. Saucer-shaped base collects water. | 15" | 15" | 20" | 7 lbs. |



|                      |  |                                  |        |
|----------------------|--|----------------------------------|--------|
| Mathiesen Wall Clock | Designed by Ole Mathiesen, 1972. Battery-operated Swiss quartz movement. Batteries included. Black finish. | 8 <sup>3</sup> / <sub>4</sub> "  | 1 lb.  |
|                      |  | 12 <sup>1</sup> / <sub>4</sub> " | 2 lbs. |
|                      |  | 17 <sup>1</sup> / <sub>2</sub> " | 3 lbs. |



|                   |  |                                  |         |
|-------------------|--|----------------------------------|---------|
| Bodoni Wall Clock | Designed by M&Co., 1990. Battery-operated German quartz movement. Black hour hand, minute hand, and numbers. Red second hand. AA battery not included. | 12 <sup>1</sup> / <sub>2</sub> " | 12 ozs. |
|-------------------|--|----------------------------------|---------|



### Order Code

Example: **EFM-IVYU**

**EFM-IVYU** Ivy umbrella stand

### Ordering Information

*Specify:*

1. Pattern number

| pattern no.     | list price |
|-----------------|------------|
| <b>EFM-IVYU</b> | \$537.     |

|               |        |
|---------------|--------|
| <b>1-2600</b> | 707.   |
| <b>1-2601</b> | 895.   |
| <b>1-2602</b> | 1,534. |

|                |      |
|----------------|------|
| <b>MCO-BOD</b> | 372. |
|----------------|------|

**Construction**

*Umbrella stand:*  
 Cast aluminum base and top ring.  
 Solid aluminum rods. Polished on  
 top surfaces and bead blasted on  
 sides and center of base and top  
 ring.

Manufactured in the United States.

*Mathiesen Wall Clock:*  
 Hand-formed aluminum frame and  
 hands. Glass face cover.

Manufactured in Denmark.

*Bodoni Wall Clock:*  
 Anodized aluminum frame. Crystal  
 face cover.

Manufactured in the United  
 Kingdom.

# International Collection

## *Replacement Parts*

| product                             | description  |
|-------------------------------------|--|
| Carafe Stopper                      | For use with STL-900, STL-915, STL-9 and STL-15 stainless and plastic carafes.                         |
| Carafe Top                          | Black textured plastic. For use with STL-900, STL-915, STL-9 and STL-15 stainless and plastic carafes. |
| Large Carafe Thermal Liner & Gasket | For use with STL-900 and STL-915 stainless and plastic carafes.  |



### Order Code

Example: **STL-900-1**  
**STL-900-1** Carafe stopper

### Ordering Information

*Specify:*

1. Pattern number

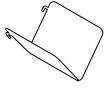
*Note:*

Please consult Customer Service for additional replacement parts.

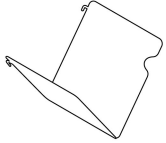
| pattern no.      | list price |
|------------------|------------|
| <b>STL-900-1</b> | \$34.      |
| <b>STL-900-2</b> | 34.        |
| <b>STL-900-3</b> | 79.        |

foldit™ System Accessories  
by Colebrook Bosson Saunders

| product   | description | w      | d      | h  | wt.   |
|-----------|-------------|--------|--------|----|-------|
| CD Holder | CD Holder   | 6 1/2" | 5 3/4" | 4" | 8 oz. |



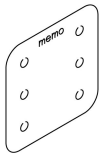
|              |              |        |    |        |       |
|--------------|--------------|--------|----|--------|-------|
| Paper Sorter | Paper Sorter | 9 1/2" | 8" | 5 1/2" | 1 lb. |
|--------------|--------------|--------|----|--------|-------|



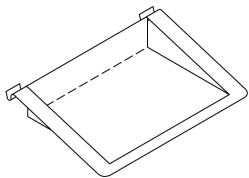
|                   |                   |        |        |        |       |
|-------------------|-------------------|--------|--------|--------|-------|
| Pencil/Pen Holder | Pencil/Pen Holder | 2 3/4" | 2 1/2" | 3 1/2" | 5 oz. |
|-------------------|-------------------|--------|--------|--------|-------|



|                   |                   |     |  |     |        |
|-------------------|-------------------|-----|--|-----|--------|
| Memo Magnet Board | Memo Magnet Board | 10" |  | 10" | 13 oz. |
|-------------------|-------------------|-----|--|-----|--------|



|        |                         |     |     |    |              |
|--------|-------------------------|-----|-----|----|--------------|
| Tray 1 | Letter Tray 1           | 16" | 10" | 3" | 1 lb. 11 oz. |
|        | Fits 8 1/2" x 11" paper |     |     |    |              |



**Order Code**

Example: **FLD-TRAY01-BK**

**FLD** Foldit

**TRAY01** Letter Tray

**BK** Black

**Ordering Information**

*Specify:*

1. Pattern number
2. Finish

Color options:

|               |    |
|---------------|----|
| Black         | BK |
| White         | WH |
| Silver        | SV |
| Blue Metallic | BM |
| Red           | RD |

| pattern no.        | list price |
|--------------------|------------|
| <b>FLD-TUNE-()</b> | \$23.      |

|                    |     |
|--------------------|-----|
| <b>FLD-SORT-()</b> | 33. |
|--------------------|-----|

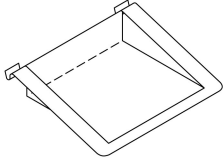
|                    |     |
|--------------------|-----|
| <b>FLD-PENS-()</b> | 23. |
|--------------------|-----|

|                    |     |
|--------------------|-----|
| <b>FLD-MEMO-()</b> | 33. |
|--------------------|-----|

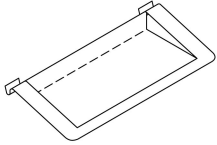
|                      |     |
|----------------------|-----|
| <b>FLD-TRAY01-()</b> | 42. |
|----------------------|-----|

foldit™ System Accessories  
by Colebrook Bosson Saunders

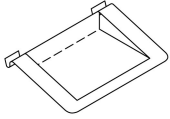
| product                 | description                    | w       | d   | h  | wt.         |
|-------------------------|--------------------------------|---------|-----|----|-------------|
| Tray 4 (telephone tray) | Letter Tray 4 (telephone tray) | 13 1/2" | 10" | 3" | 1 lb. 6 oz. |



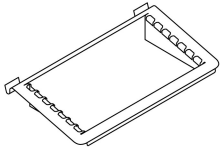
|                |                       |     |        |    |        |
|----------------|-----------------------|-----|--------|----|--------|
| Tray 2 (32 CD) | Letter Tray 2 (32 CD) | 16" | 6 1/2" | 2" | 13 oz. |
|----------------|-----------------------|-----|--------|----|--------|



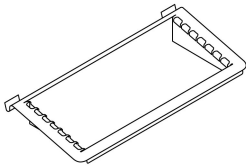
|                |                       |     |        |    |       |
|----------------|-----------------------|-----|--------|----|-------|
| Tray 5 (20 CD) | Letter Tray 5 (20 CD) | 11" | 6 1/2" | 2" | 9 oz. |
|----------------|-----------------------|-----|--------|----|-------|



|                                   |                                   |         |    |        |       |
|-----------------------------------|-----------------------------------|---------|----|--------|-------|
| Hanging File Sorter (letter size) | Hanging File Sorter (letter size) | 15 1/2" | 7" | 1 1/2" | 9 oz. |
|-----------------------------------|-----------------------------------|---------|----|--------|-------|



|                                  |                                  |         |    |        |       |
|----------------------------------|----------------------------------|---------|----|--------|-------|
| Hanging File Sorter (legal size) | Hanging File Sorter (legal size) | 18 1/2" | 7" | 1 1/2" | 9 oz. |
|----------------------------------|----------------------------------|---------|----|--------|-------|



**Order Code**

Example: **FLD-TRAY01-BK**

**FLD** Foldit

**TRAY01** Letter Tray

**BK** Black

**Ordering Information**

*Specify:*

1. Pattern number
2. Finish

Color options:

|               |    |
|---------------|----|
| Black         | BK |
| White         | WH |
| Silver        | SV |
| Blue Metallic | BM |
| Red           | RD |



| pattern no.           | list price   |
|-----------------------|--------------|
| <b>FLD-TRAY04-( )</b> | <b>\$42.</b> |

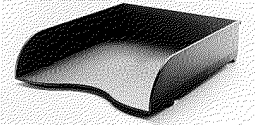
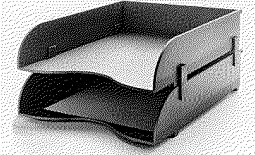
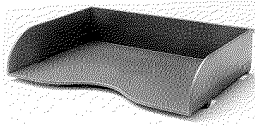
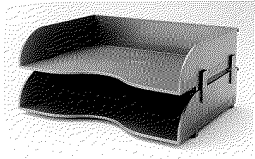
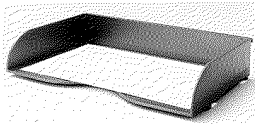
|                       |            |
|-----------------------|------------|
| <b>FLD-TRAY02-( )</b> | <b>33.</b> |
|-----------------------|------------|

|                       |            |
|-----------------------|------------|
| <b>FLD-TRAY05-( )</b> | <b>28.</b> |
|-----------------------|------------|

|                          |            |
|--------------------------|------------|
| <b>FLD-H-SORT-LT-( )</b> | <b>33.</b> |
|--------------------------|------------|

|                          |            |
|--------------------------|------------|
| <b>FLD-H-SORT-LG-( )</b> | <b>33.</b> |
|--------------------------|------------|

Orchestra® Universal System Accessories  
 by Bruce Hannah & Ayse Birsel  
 letter trays

| product   | description   | w       | d      | h      | wgt.           |
|---|---|---------|--------|--------|----------------|
| Front Letter Single Tray<br> | Single tray. Non-scuffing rubber feet.  | 10 1/4" | 13"    | 2 3/4" | 1 lb. 2 ozs.   |
| Front Letter Double Tray<br> | Double tray. Non-scuffing rubber feet. Removable stacking brackets included.  | 10 1/4" | 13"    | 7 1/4" | 2 lbs. 5 ozs.  |
| Side Letter Single Tray<br>  | Single tray. Non-scuffing rubber feet.<br>*Available in Translucent Orange and Blue                                       | 13 1/4" | 9 1/2" | 2 3/4" | 1 lb. 7 ozs.   |
| Side Letter Double Tray<br> | Double tray. Non-scuffing rubber feet. Removable stacking brackets included.<br>*Available Translucent in Orange and Blue | 13 1/4" | 9 1/2" | 7 1/4" | 2 lbs. 15 ozs. |
| Side Legal Single Tray<br> | Single tray. Non-scuffing rubber feet.  | 15 1/2" | 9 1/2" | 2 3/4" | 2 lbs.         |

**Order Code**

Example: **ORCH-F-LT-BK**  
**ORCH-F-** Front letter tray  
**LT**  
**BK** Black

**Ordering Information**

*Specify:*  
 1. Pattern number  
 2. Finish  
*Opaque plastic finishes:*  
 Black (BK)  
 Medium Grey (DG)  
 Soft Grey (E)  
 Warm Putty (WP)

**Custom Options**

*Translucent polycarbonate finishes:*  
 Clear (CL)  
 \*Orange (OR)  
 \*Blue (BL)  
 \*Select Products Only

Custom colors available upon sample chip approval. \$250 color match fee and 500 piece minimum per line item.

| pattern no. | translucent colors list price | opaque colors list price |
|-------------|-------------------------------|--------------------------|
| ORCH-F-LT   | \$42.                         | \$34.                    |
| 2ORCH-F-LT  | 84.                           | 72.                      |
| ORCH-S-LT   | 42.                           | 34.                      |
| 2ORCH-S-LT  | 84.                           | 72.                      |
| ORCH-S-LGT  | 51.                           | 44.                      |

System top cap-mounted signage plate available, designed to customer specifications and system. Customer responsible for graphics. 100 unit minimum. Contact your KnollExtra representative or Customer Service for complete pricing information.

**Construction**

*Opaque plastic finishes:*  
Sturdy polystyrene plastic in matte, textured finish. Fingerprint resistant.

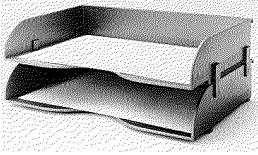
*Translucent finishes:*  
Sturdy polycarbonate resin.

Manufactured in the United States.

**Design Awards**

Permanent Collection of the Cooper-Hewitt, National Design Museum, Smithsonian Institution, 1994; ROSCOE Award, Interior Design Magazine, 1991; Outstanding Performance, Product Design Achievement Award, IBD Southern California Chapter, 1991; Bronze Award, IBD Product Design Competition, 1990.

Orchestra® Universal System Accessories  
 by Bruce Hannah & Ayse Birsal  
*letter trays*

| product   | description  | w       | d      | h      | wgt.         |
|---|--|---------|--------|--------|--------------|
| Side Legal Double Tray<br> | Double tray. Non-scuffing rubber feet. Removable stacking brackets included.                               | 15 1/2" | 9 1/2" | 7 1/4" | 4 lbs. 1 oz. |
| Replacement Stacking Brackets   | Set of four stacking brackets for all Orchestra letter trays.<br>*Available in Translucent Orange and Blue | 3/4"    | 1/2"   | 2"     | 1 oz. (set)  |

**Order Code**

Example: **ORCH-F-LT-BK**  
**ORCH-F-** Front letter tray  
**LT**  
**BK** Black

**Ordering Information**

*Specify:*  
 1. Pattern number  
 2. Finish  
*Opaque plastic finishes:*  
 Black (BK)  
 Medium Grey (DG)  
 Soft Grey (E)  
 Warm Putty (WP)

*Translucent polycarbonate finishes:*  
 Clear (CL)  
 \*Orange (OR)  
 \*Blue (BL)  
 \*Select Products Only

**Custom Options**

Custom colors available upon sample chip approval. \$250 color match fee and 500 piece minimum per line item.

| pattern no.        | translucent colors list price | opaque colors list price |
|--------------------|-------------------------------|--------------------------|
| <b>2ORCH-S-LGT</b> | \$101.                        | \$87.                    |
| <b>ORCH-SB</b>     | 6.                            | 5.                       |

System top cap-mounted signage plate available, designed to customer specifications and system. Customer responsible for graphics. 100 unit minimum. Contact your KnollExtra representative or Customer Service for complete pricing information.

**Construction**

*Opaque plastic finishes:*  
Sturdy polystyrene plastic in matte, textured finish. Fingerprint resistant.

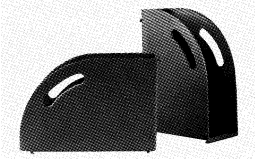
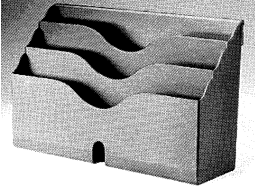
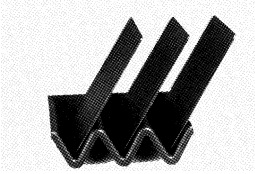
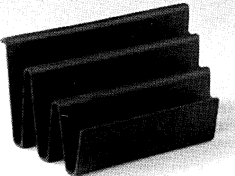
*Translucent finishes:*  
Sturdy polycarbonate resin.

Manufactured in the United States.

**Design Awards**

Permanent Collection of the Cooper-Hewitt, National Design Museum, Smithsonian Institution, 1994; ROSCOE Award, Interior Design Magazine, 1991; Outstanding Performance, Product Design Achievement Award, IBD Southern California Chapter, 1991; Bronze Award, IBD Product Design Competition, 1990.

Orchestra® Universal System Accessories  
 by Bruce Hannah & Ayse Birsal  
*paper management*

| product  | description   | w       | d       | h      | wgt.          |
|--|---|---------|---------|--------|---------------|
| 2-Way Binder Bin<br>    | Horizontal or vertical positioning. Excellent for rail-mount, desktop, and overhead storage.          | 4 3/4"  | 12 1/4" | 8 1/4" | 1 lb. 6 ozs.  |
| Vertical Paper Pack<br> | Holds memo, letter, legal and unbound EDP size material.<br>*Available in Translucent Orange and Blue | 15 1/4" | 5"      | 9"     | 2 lbs. 1 oz.  |
| Slanted Sorter<br>     | Removable dividers tilt left and right.<br>*Available in Translucent Orange and Blue                  | 9"      | 11"     | 8 1/2" | 2 lbs. 4 ozs. |
| File Sorter<br>       | Versatile sorter holds small files, stationery, envelopes, messages and other desktop papers.         | 10 1/4" | 5 1/2"  | 5 1/2" | 1 lb. 8 ozs.  |

| Order Code  | Ordering Information   | Custom Options   |
|---|--|--|
| Example: <b>ORCH-BDN-DG</b><br><b>ORCH-</b> Binder bin<br><b>BDN</b><br><b>DG</b> Medium grey | Specify:<br>1. Pattern number<br>2. Finish<br><br><i>Opaque plastic finishes:</i><br>Black (BK)<br>Medium Grey (DG)<br>Soft Grey (E)<br>Warm Putty (WP)<br><br><i>Translucent polycarbonate finishes:</i><br>Clear (CL)<br>*Orange (OR)<br>*Blue (BL)<br>*Select Products Only | Custom colors available upon sample chip approval. \$250 color match fee and 500 piece minimum per line item.<br><br>System top cap-mounted signage plate available, designed to customer specifications and system. Customer responsible for graphics. 100 unit minimum. Contact your KnollExtra representative or Customer Service for complete pricing information. |

| pattern no.     | translucent colors list price | opaque colors list price |
|-----------------|-------------------------------|--------------------------|
| <b>ORCH-BDN</b> | \$54.                         | \$47.                    |
| <b>ORCH-VPP</b> | 59.                           | 54.                      |
| <b>ORCH-SSD</b> | 59.                           | 54.                      |
| <b>ORCH-FS</b>  | 40.                           | 37.                      |

**Construction**

*Opaque plastic finishes:*  
Sturdy polystyrene plastic in matte, textured finish. Fingerprint resistant.



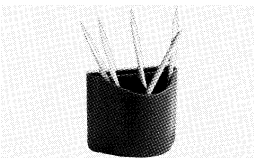

*Translucent finishes:*  
Sturdy polycarbonate resin.

Manufactured in the United States.

**Design Awards**

Permanent Collection of the Cooper-Hewitt, National Design Museum, Smithsonian Institution, 1994; ROSCOE Award, Interior Design Magazine, 1991; Outstanding Performance, Product Design Achievement Award, IBD Southern California Chapter, 1991; Bronze Award, IBD Product Design Competition, 1990.

Orchestra® Universal System Accessories  
 by Bruce Hannah & Ayse Birsel  
 mini-shelf, hanging file holders, pencil cup and utility trays

| product  | description  | w   | d  | h      | wgt.          |
|--|--|-----|----|--------|---------------|
|  Mini-Shelf           | Flexible storage shelf for small items and papers. 5 removable dividers and 11 slotted holes. Shelf available in black anodized aluminum and medium grey painted aluminum only. Dividers in any opaque plastic finish. | 12" | 8" | 5 1/2" | 2 lbs. 5 ozs. |
|  Hanging File Holders | 2 per set. Attach to rail and hold legal or letter size hanging folders for easy access. Black is anodized aluminum. Medium grey is painted aluminum. Not for use on Currents slatwall.                                | 1"  | 8" | 1"     | 8 ozs. (pair) |
|  Pencil Cup          | Three compartments for pencils, 4" x 6" memo paper, and large Post-It™ Notes.<br><br>*Available in Translucent Orange and Blue   | 5"  | 3" | 4"     | 7 ozs.        |
|  Utility Tray       | 6 versatile compartments hold pencils, paper clips, and other paper management items. Largest compartment is 3" x 8 1/4".  | 12" | 7" | 1"     | 12 ozs.       |

| Order Code  | Ordering Information  | Custom Options   |
|---|---|--|
| Example: <b>OR-MS-12-BK-E</b><br><b>OR-MS-12</b> Mini shelf<br><b>BK</b> Black<br><b>E</b> Soft grey dividers | <i>Specify:</i><br>1. Pattern number<br>2. Finish<br>3. Divider finish(mini-shelf only)<br><br><i>Opaque plastic finishes:</i><br>Black (BK)<br>Medium Grey (DG)<br>Soft Grey (E)<br>Warm Putty (WP)<br><br><i>Translucent polycarbonate finishes:</i><br>Clear (CL)<br>*Orange (OR)<br>*Blue (BL)<br>*Select Products Only | <i>Hanging file holder and mini-shelf metal finishes:</i><br>Black (BK)<br>Medium Grey (DG)<br><br>For plastic accessories, custom colors available upon sample chip approval. \$250 color match fee and 500 piece minimum per line item.<br><br>System top cap-mounted signage plate available, designed to customer specifications and system. Customer responsible for graphics. 100 unit minimum. Contact your KnollExtra representative or Customer Service for complete pricing information. |



| pattern no.     | translucent colors list price | opaque colors list price |
|-----------------|-------------------------------|--------------------------|
| <b>OR-MS-12</b> |                               | \$123.                   |
| <hr/>           |                               |                          |
| <b>ORCH-HFH</b> |                               | 39.                      |
| <hr/>           |                               |                          |
| <b>ORCH-PC</b>  | 23.                           | 21.                      |
| <hr/>           |                               |                          |
| <b>ORCH-UT</b>  | 29.                           | 27.                      |
| <hr/>           |                               |                          |

Office System Accessories

**Construction**

*Hanging file holder and mini-shelf:*  
Medium grey painted aluminum or black anodized aluminum. Mini-shelf dividers are poly-styrene plastic.

*Pencil cup and utility tray:*  
Sturdy polystyrene plastic in a matte, textured finish. Fingerprint resistant.

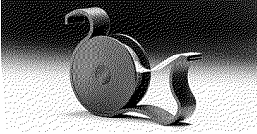
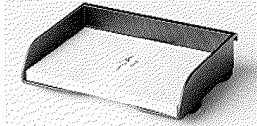
*Translucent finishes:*  
Sturdy polycarbonate resin.

All items are manufactured in the United States.

**Design Awards**

Permanent Collection of the Cooper-Hewitt, National Design Museum, Smithsonian Institution, 1994; ROSCOE Award, Interior Design Magazine, 1991; Outstanding Performance, Product Design Achievement Award, IBD Southern California Chapter, 1991; Bronze Award, IBD Product Design Competition, 1990.

Orchestra® Universal System Accessories  
 by Bruce Hannah & Ayse Birsal  
 tape dispenser, memo tray and disk holder

| product   | description  | type | w  | d      | h      | wgt.   |
|---|--|------|----|--------|--------|--------|
| Tape Dispenser  | Holds standard, clear tape (not included).             |      | 1" | 4 1/2" | 3 1/2" | 3 ozs. |
|  |  |      |    |        |        |        |
| Memo Tray   | Includes 4" x 6" memo paper. Non-scuffing rubber feet. |      | 6" | 4"     | 1"     | 9 ozs. |
|  |  |      |    |        |        |        |
|   | *Available in Translucent Orange and Blue              |      |    |        |        |        |

| Order Code                    | Ordering Information                       | Custom Options  |
|-------------------------------|--|---|
| Example: <b>ORCH-TD-E</b>     | <i>Specify:</i>                            | Custom colors available upon sample chip approval. \$250 color match fee and 500 piece minimum per line item.   |
| <b>ORCH-TD</b> Tape dispenser | 1. Pattern number                          | System top cap-mounted signage plate available, designed to customer specifications and system. Customer responsible for graphics. 100 unit minimum. Contact your KnollExtra representative or Customer Service for complete pricing information. |
| <b>E</b> Soft grey            | 2. Finish                                  |   |
|                               | <i>Opaque plastic finishes:</i>            |   |
|                               | Black (BK)                                 |   |
|                               | Medium Grey (DG)                           |   |
|                               | Soft Grey (E)                              |   |
|                               | Warm Putty (WP)                            |   |
|                               | <i>Translucent polycarbonate finishes:</i> |   |
|                               | Clear (CL)                                 |   |
|                               | *Orange (OR)                               |   |
|                               | *Blue (BL)                                 |   |
|                               | *Select Products Only                      |   |

| pattern no.    | translucent colors list price | opaque colors list price |
|----------------|-------------------------------|--------------------------|
| <b>ORCH-TD</b> | \$20.                         | \$19.                    |
| <b>ORCH-MT</b> | 23.                           | 21.                      |

**Construction**

*Opaque plastic finishes:*  
Sturdy polystyrene plastic in matte, textured finish. Fingerprint resistant.

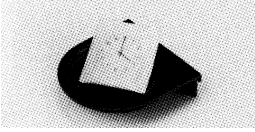

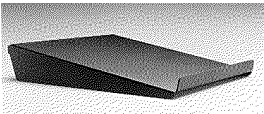
*Translucent finishes:*  
Sturdy polycarbonate resin.

Manufactured in the United States.

**Design Awards**

Permanent Collection of the Cooper-Hewitt, National Design Museum, Smithsonian Institution, 1994; ROSCOE Award, Interior Design Magazine, 1991; Outstanding Performance, Product Design Achievement Award, IBD Southern California Chapter, 1991; Bronze Award, IBD Product Design Competition, 1990.

Orchestra® Universal System Accessories  
 by Bruce Hannah & Ayse Birsal  
*clip/cup holder, bud vase and telephone shelf*

| product  | description  | w      | d       | h  | wgt.           |
|--|--|--------|---------|----|----------------|
| Clip/Cup Holder<br> | Removes coffee cups, cans, paper clips, thumb tacks, etc. from the worksurface. Available in black and medium grey painted aluminum. | 3 3/4" | 4"      | 1" | 4 ozs.         |
| Bud Vase<br>        | Available in black and clear. Rail-mounted only.   | 2"     | 2"      | 7" | 3 ozs.         |
| Telephone Shelf<br> | Holds virtually any standard office telephone. Available in black only.  | 12"    | 11 1/2" | 2" | 3 lbs. 12 ozs. |

**Order Code**

Example: **ORCH-CCH-BK**  
**ORCH-** Clip/ Cup Holder  
**CCH**  
**BK** Black

**Ordering Information**

*Specify:*  
 1. Pattern number  
 2. Finish (When applicable)

*Acrylic vase finishes:*  
 Black (BK)  
 Clear (CL)

*Clip/cup holder finishes:*  
 Black (BK)  
 Medium Grey (DG)

**Custom Options**

For plastic accessories, custom colors available upon sample chip approval. \$250 color match fee and 500 piece minimum per line item.

System top cap-mounted signage plate available, designed to customer specifications and system. Customer responsible for graphics. 100 unit minimum. Contact your KnollExtra representative or Customer Service for complete pricing information.

| pattern no.        | opaque colors list price |
|--------------------|--------------------------|
| <b>ORCH-CCH</b>    | \$46.                    |
| <b>ORCH-VAS</b>    | 21.                      |
| <b>ORCH-TS-UNI</b> | 82.                      |

**Construction**

*Translucent finishes:*  
Sturdy polycarbonate resin.

*Clip/cup holder:*  
Painted, sand cast aluminum.

*Bud vase:*  
Acrylic with black polystyrene holder.

*Telephone shelf:*  
16-gauge painted steel.

Bud Vase is manufactured in Taiwan, Republic of China. All other items are manufactured in the United States.

**Design Awards**

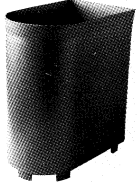
Permanent Collection of the Cooper-Hewitt, National Design Museum, Smithsonian Institution, 1994; ROSCOE Award, Interior Design Magazine, 1991; Outstanding Performance, Product Design Achievement Award, IBD Southern California Chapter, 1991; Bronze Award, IBD Product Design Competition, 1990.

Orchestra® Universal System Accessories  
 by Bruce Hannah & Ayse Birsal  
 desk pads and wastebaskets

| product            | description                    | w   | d   | h | wgt.   |
|--------------------|--------------------------------|-----|-----|---|--------|
| Racetrack Desk Pad | Black linoleum with felt back. | 30" | 18" |   | 5 lbs. |



|             |                                |        |     |         |               |
|-------------|--------------------------------|--------|-----|---------|---------------|
| Wastebasket | Freestanding, 24 qt. capacity. | 8 1/2" | 14" | 14 7/8" | 4 lbs. 6 ozs. |
|-------------|--------------------------------|--------|-----|---------|---------------|



|                       |   |        |     |         |               |
|-----------------------|---|--------|-----|---------|---------------|
| Recycling Wastebasket | Blue recycling color for desk-side separation of waste materials. Includes recycling stickers. Freestanding. 24 qt. capacity. | 8 1/2" | 14" | 14 7/8" | 4 lbs. 6 ozs. |
|-----------------------|---|--------|-----|---------|---------------|



| Order Code                 | Ordering Information   | Custom Options  |
|----------------------------|--|---|
| Example: <b>ORCH-WBK-E</b> | <i>Specify:</i>  | Additional desk pad colors available. Special sizes available up to 34"W x 28"D. 50 piece minimum on all custom desk pads. Custom wastebasket colors available upon sample chip approval. \$250 color match fee and 750 minimum per line item. Contact your KnollExtra representative or Customer Service for complete pricing information. |
| <b>ORCH-</b> Wastebasket   | 1. Pattern number  |   |
| <b>WBK</b>                 | 2. Finish (When applicable)  |   |
| <b>E</b> Soft grey         | <i>Wastebasket finishes:</i><br>Black (BK)<br>Medium Grey (DG)<br>Soft Grey (E)<br>Warm putty (WP)<br>Electric blue (EB) |   |

| pattern no.    | list price |
|----------------|------------|
| <b>ORCH-DP</b> | \$79.      |

|                 |     |
|-----------------|-----|
| <b>ORCH-WBK</b> | 89. |
|-----------------|-----|

|                      |     |
|----------------------|-----|
| <b>ORCH-WBK-R-EB</b> | 89. |
|----------------------|-----|

**Construction**

*Desk pad:*  
Black linoleum with felt black

*Wastebasket:*  
Polypropylene with matte textured finish.

All items are manufactured in the United States.

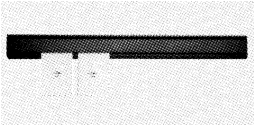
**Design Awards**

Permanent Collection of the Cooper-Hewitt, National Design Museum, Smithsonian Institution, 1994; ROSCOE Award, Interior Design Magazine, 1991; Outstanding Performance, Product Design Achievement Award, IBD Southern California Chapter, 1991; Bronze Award, IBD Product Design Competition, 1990.

# Orchestra® Universal System Accessories

by Bruce Hannah & Ayse Birsal

load bar/info rail

| product   | description   | w       | d    | h              | wgt.          |
|---|---|---------|------|----------------|---------------|
| Load Bar/Info Rail<br> | • Fits virtually every office system.   | 24"     | 1/2" | 3"             | 1 lb. 9 ozs.  |
|   | • Mounts on panel, stanchion, wall or freestanding desk.  | 30"     | 1/2" | 3"             | 2 lbs.        |
|   | • Info Rail underside holds memos and notes for easy access.                                    | 35"     | 1/2" | 3"             | 2 lbs. 6 ozs. |
|   | • Black plastic end caps.   | 36"     | 1/2" | 3"             | 2 lbs. 9 ozs. |
|   | • Wall, stanchion or panel-mounted brackets included in list price (see mounting options page). | 42"     | 1/2" | 3"             | 3 lbs.        |
|   |   | 45"     | 1/2" | 3"             | 3 lbs. 2 ozs. |
|   |   | 48"     | 1/2" | 3"             | 3 lbs. 4 ozs. |
|   |   | 54"     | 1/2" | 3"             | 4 lbs.        |
|   |   | 60"     | 1/2" | 3"             | 4 lbs. 5 ozs. |
|   |   | 66"     | 1/2" | 3"             | 4 lbs. 8 ozs. |
|   | 72"   | 1/2"    | 3"   | 4 lbs. 12 ozs. |               |
| Load Bar/Info Rail Morrison Network 2   |   | 11 5/8" | 1/2" | 3"             |               |
|   |   | 17 5/8" | 1/2" | 3"             |               |
|   |   | 23 5/8" | 1/2" | 3"             |               |
|   |   | 29 5/8" | 1/2" | 3"             |               |
|   |   | 35 5/8" | 1/2" | 3"             |               |
|   |   | 41 5/8" | 1/2" | 3"             |               |
|   |   | 47 5/8" | 1/2" | 3"             |               |
| Currents Work Shelf Load Bar  |   | 13 1/2" | 1/2" | 3"             |               |
|   |   | 17 7/8" | 1/2" | 3"             |               |
|   |   | 29 7/8" | 1/2" | 3"             |               |
| Currents Stanchion Mounted Load Bar   |   | 26 3/4" | 1/2" | 3"             |               |
|   |   | 38 3/4" | 1/2" | 3"             |               |
| Dividends and Caliber Stanchion Mounted Load Bar  |   | 31 5/8" | 1/2" | 3"             |               |
|   |   | 37 5/8" | 1/2" | 3"             |               |
|   |   | 43 5/8" | 1/2" | 3"             |               |
|   |   | 55 5/8" | 1/2" | 3"             |               |
|   |   | 67 5/8" | 1/2" | 3"             |               |

| Order Code  | Ordering Information  |
|---|---|
| <b>Example: OR-LBI-36-111</b><br><b>OR-BKT-PM-R</b><br><hr/> <b>OR-LBI-36</b> 36" load bar<br><hr/> <b>111</b> Black<br><hr/> <b>OR-BKT-PM-R</b> Panel-mounted bracket for Reff | <i>Specify:</i><br>1. Pattern number<br>2. System Suffix<br>3. Finish<br>4. Mounting Option<br><br>Special sizes and small quantity orders may be painted<br><br><i>Anodized aluminum finish:</i><br>Silver Anodized (SV)                                   |
|   | <i>Painted Core aluminum finishes:</i><br>Medium Grey (115)<br>Soft Grey (117)<br>Black (111)<br>Beige Mist Metallic (611)<br>Brown (112)<br>Dark Grey (113)<br>Folkstone Grey (114)<br>Sandstone (116)<br>Bright White (118)<br>Medium Grey Metallic (612) |
|   | <i>Painted Legacy aluminum finishes are still available for existing customers only:</i><br>Medium Metallic Grey (DG)<br>Soft Grey (E)<br>Warm Putty (WP)<br>Flint (F)<br>Black (BK)  |



| pattern no.        | list  |
|--------------------|-------|
| OR-LBI-24-( )()    | \$80. |
| OR-LBI-30-( )()    | 80.   |
| OR-LBI-35-( )()    | 86.   |
| OR-LBI-36-( )()    | 86.   |
| OR-LBI-42-( )()    | 96.   |
| OR-LBI-45-( )()    | 108.  |
| OR-LBI-48-( )()    | 108.  |
| OR-LBI-54-( )()    | 116.  |
| OR-LBI-60-( )()    | 123.  |
| OR-LBI-66-( )()    | 137.  |
| OR-LBI-72-( )()    | 160.  |
| OR-LBI-24-N2-( )() | 70.   |
| OR-LBI-30-N2-( )() | 76.   |
| OR-LBI-36-N2-( )() | 80.   |
| OR-LBI-42-N2-( )() | 80.   |
| OR-LBI-48-N2-( )() | 86.   |
| OR-LBI-54-N2-( )() | 96.   |
| OR-LBI-60-N2-( )() | 108.  |
| OR-LBI-66-N2-( )() | 116.  |
| OR-LBI-72-N2-( )() | 123.  |
| OR-LBI-30-C-( )()  | 33.   |
| OR-LBI-36-C-( )()  | 40.   |
| OR-LBI-48-C-( )()  | 57.   |
| OR-LBI-36-CS-( )() | 52.   |
| OR-LBI-48-CS-( )() | 77.   |
| OR-LBI-36-DV-( )() | 56.   |
| OR-LBI-42-DV-( )() | 66.   |
| OR-LBI-48-DV-( )() | 78.   |
| OR-LBI-60-DV-( )() | 93.   |
| OR-LBI-72-DV-( )() | 116.  |

| Mounting Options                 | Custom Options  | Construction  | Design Awards   |
|----------------------------------|---|---|---|
| See page 80 for mounting options | <i>Note:</i><br>Load Bar/Info Rails are available in custom lengths. Please note that for all lengths greater than 66", load bar will be painted, not anodized. Contact your local Knoll Customer Service representative for details. | <i>Load bar/info rail:</i><br>Corrosion-resistant T-6063 painted or anodized aluminum. End caps are textured polystyrene plastic. Load Bar is filled with 1/2" Delrin plastic pellets to support papers on info rail.<br><br>All items manufactured in the United States. | Permanent Collection of the Cooper-Hewitt, National Design Museum, Smithsonian Institution, 1994; ROSCOE Award, Interior Design Magazine, 1991; Outstanding Performance, Product Design Achievement Award, IBD Southern California Chapter, 1991; Bronze Award, IBD Product Design Competition, 1990. |

Orchestra® Universal System Accessories  
 by Bruce Hannah & Ayse Birsel  
 load bar/info rail

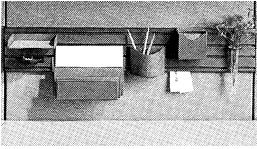
| product                     | description | w       | d    | h  | wgt. |
|-----------------------------|-------------|---------|------|----|------|
| Equity Stanchion Load Bar   |             | 24"     | 1"   | 3" |      |
|                             |             | 30"     | 1"   | 3" |      |
|                             |             | 36"     | 1"   | 3" |      |
|                             |             | 42"     | 1"   | 3" |      |
|                             |             | 54"     | 1"   | 3" |      |
|                             |             | 66"     | 1"   | 3" |      |
| Equity Application Load Bar |             | 22 1/4" | 1/2" | 3" |      |
|                             |             | 28 1/4" | 1/2" | 3" |      |
|                             |             | 34 1/4" | 1/2" | 3" |      |
|                             |             | 40 1/4" | 1/2" | 3" |      |
|                             |             | 46 1/4" | 1/2" | 3" |      |
|                             |             | 52 1/4" | 1/2" | 3" |      |
|                             |             | 58 1/4" | 1/2" | 3" |      |
|                             |             | 64 1/4" | 1/2" | 3" |      |
|                             |             | 70 1/4" | 1/2" | 3" |      |

| Order Code  | Ordering Information  |
|---|---|
| <b>Example: OR-LBI-36-111</b><br><b>OR-BKT-PM-R</b> | <i>Specify:</i>   |
| <b>OR-LBI-36</b> 36" load bar                       | 1. Pattern number   |
| <b>111</b> Black                                    | 2. System Suffix  |
| <b>OR-BKT-PM-R</b> Panel-mounted bracket for Reff   | 3. Finish   |
|   | 4. Mounting Option  |
|   | Special sizes and small quantity orders may be painted  |
|   | <i>Anodized aluminum finish:</i><br>Silver Anodized (SV)  |
|   | <i>Painted Core aluminum finishes:</i><br>Medium Grey (115)<br>Soft Grey (117)<br>Black (111)<br>Beige Mist Metallic (611)<br>Brown (112)<br>Dark Grey (113)<br>Folkstone Grey (114)<br>Sandstone (116)<br>Bright White (118)<br>Medium Grey Metallic (612) |
|   | <i>Painted Legacy aluminum finishes are still available for existing customers only:</i><br>Medium Metallic Grey (DG)<br>Soft Grey (E)<br>Warm Putty (WP)<br>Flint (F)<br>Black (BK)  |

| pattern no.       | list  |
|-------------------|-------|
| OR-LBI-30-ES-()() | \$80. |
| OR-LBI-36-ES-()() | 80.   |
| OR-LBI-42-ES-()() | 86.   |
| OR-LBI-48-ES-()() | 96.   |
| OR-LBI-60-ES-()() | 116.  |
| OR-LBI-72-ES-()() | 137.  |
| OR-LBI-24-EY-()() | 80.   |
| OR-LBI-30-EY-()() | 80.   |
| OR-LBI-36-EY-()() | 86.   |
| OR-LBI-42-EY-()() | 96.   |
| OR-LBI-48-EY-()() | 108.  |
| OR-LBI-54-EY-()() | 116.  |
| OR-LBI-60-EY-()() | 123.  |
| OR-LBI-66-EY-()() | 137.  |
| OR-LBI-72-EY-()() | 160.  |

| Mounting Options                 | Custom Options  | Construction  | Design Awards  |
|----------------------------------|---|---|--|
| See page 80 for mounting options | <p><i>Note:</i><br/>Load Bar/Info Rails are available in custom lengths. Please note that for all lengths greater than 66", load bar will be painted, not anodized. Contact your local Knoll Customer Service representative for details.</p> | <p><i>Load bar/info rail:</i><br/>Corrosion-resistant T-6063 painted or anodized aluminum. End caps are textured polystyrene plastic. Load Bar is filled with 1/2" Delrin plastic pellets to support papers on info rail.</p> <p>All items manufactured in the United States.</p> | <p>Permanent Collection of the Cooper-Hewitt, National Design Museum, Smithsonian Institution, 1994; ROSCOE Award, Interior Design Magazine, 1991; Outstanding Performance, Product Design Achievement Award, IBD Southern California Chapter, 1991; Bronze Award, IBD Product Design Competition, 1990.</p> |

Orchestra® Universal System Accessories  
 by Bruce Hannah & Ayse Birsal  
 slatboard 6½"

| product  | description  | w                            | d   | h              | wt.            |
|--|--|------------------------------|-----|----------------|----------------|
| Slatboard-6½"<br> | <ul style="list-style-type: none"> <li>Fits virtually every office system. Mounts on panel, stanchion, wall or freestanding desk.</li> <li>3 horizontal accessory channels.</li> <li>Info rail underside holds memos and notes for easy access.</li> <li>Wall, stanchion, or panel-mounted brackets included in list price (see mounting options page).</li> </ul> | 24"                          | 1"  | 6½"            | 2 lbs. 9 ozs.  |
|  |  | 30"                          | 1"  | 6½"            | 3 lbs. 3 ozs.  |
|  |  | 35"                          | 1"  | 6½"            | 3 lbs. 13 ozs. |
|  |  | 36"                          | 1"  | 6½"            | 3 lbs. 13 ozs. |
|  |  | 42"                          | 1"  | 6½"            | 4 lbs. 8 ozs.  |
|  |  | 45"                          | 1"  | 6½"            | 4 lbs. 8 ozs.  |
|  |  | 48"                          | 1"  | 6½"            | 5 lbs. 2 ozs.  |
|  |  | 54"                          | 1"  | 6½"            | 5 lbs. 12 ozs. |
|  |  | 60"                          | 1"  | 6½"            | 6 lbs. 6 ozs.  |
|  |  | 66"                          | 1"  | 6½"            | 7 lbs.         |
|  |  | 72"                          | 1"  | 6½"            | 7 lbs. 11 ozs. |
|  |  | Slatboard Morrison Network 2 |     | 11 5/8"        | 1"             |
|  | 17 5/8"  |                              | 1"  | 6½"            |                |
|  | 23 5/8"  |                              | 1"  | 6½"            |                |
|  | 29 5/8"  |                              | 1"  | 6½"            |                |
|  | 35 5/8"  |                              | 1"  | 6½"            |                |
|  | 41 5/8"  |                              | 1"  | 6½"            |                |
|  | 47 5/8"  |                              | 1"  | 6½"            |                |
|  | 53 5/8"  |                              | 1"  | 6½"            |                |
| Slatboard-Equity Stanchion   |  | 24"                          | 1"  | 6½"            |                |
|  |  | 30"                          | 1"  | 6½"            |                |
|  |  | 36"                          | 1"  | 6½"            |                |
|  |  | 42"                          | 1"  | 6½"            |                |
|  |  | 54"                          | 1"  | 6½"            |                |
|  |  | 66"                          | 1"  | 6¾"            |                |
| Equity application   |  | 24"                          | 1"  | 6½"            | 2 lbs. 9 ozs.  |
|  |  | 30"                          | 1"  | 6½"            | 3 lbs. 3 ozs.  |
|  |  | 36"                          | 1"  | 6½"            | 3 lbs. 13 ozs. |
|  |  | 42"                          | 1"  | 6½"            | 4 lbs. 8 ozs.  |
|  |  | 48"                          | 1"  | 6½"            | 5 lbs. 2 ozs.  |
|  |  | 54"                          | 1"  | 6½"            | 5 lbs. 12 ozs. |
|  |  | 60"                          | 1"  | 6½"            | 6 lbs. 6 ozs.  |
|  |  | 66"                          | 1"  | 6½"            | 7 lbs.         |
|  | 72"  | 1"                           | 6½" | 7 lbs. 11 ozs. |                |

**Order Code**

**Example: OR-SL-06-42-EY-117-OR-BKT-PM-E**  
**OR-SL-06-42** 42"W x 6½"H slatboard  
**EY** Equity suffix  
**117** Soft grey  
**OR-BKT-PM-E** Panel-mounted bracket for Equity

**Ordering Information**

*Specify:*  
 1. Pattern number  
 2. System  
 3. Finish  
 4. Mounting Option

*anodized aluminum finish:*  
 Satin Anodized Aluminum (SA) includes painted matte black endcap. Special sizes and small quantity orders may be painted

*Painted aluminum finishes:*  
 Medium Grey (115)  
 Soft Grey (117)  
 Black (111)  
 Beige Mist Metallic (611)  
 Brown (112)  
 Dark Grey (113)  
 Folkstone Grey (114)  
 Sandstone (116)  
 Bright White (118)  
 Medium Grey Metallic (612)

*Painted Legacy aluminum finishes are still available for existing customers only:*  
 Medium Metallic Grey (DG)  
 Soft Grey (E)  
 Warm Putty (WP)  
 Flint (F)  
 Black (BK)

| pattern no.          | list price |
|----------------------|------------|
| OR-SL-06-24-( )()    | \$123.     |
| OR-SL-06-30-( )()    | 144.       |
| OR-SL-06-35-( )()    | 164.       |
| OR-SL-06-36-( )()    | 164.       |
| OR-SL-06-42-( )()    | 183.       |
| OR-SL-06-45-( )()    | 205.       |
| OR-SL-06-48-( )()    | 205.       |
| OR-SL-06-54-( )()    | 226.       |
| OR-SL-06-60-( )()    | 245.       |
| OR-SL-06-66-( )()    | 265.       |
| OR-SL-06-72-( )()    | 287.       |
| OR-SL-06-24-N2-( )() | 82.        |
| OR-SL-06-30-N2-( )() | 102.       |
| OR-SL-06-36-N2-( )() | 123.       |
| OR-SL-06-42-N2-( )() | 144.       |
| OR-SL-06-48-N2-( )() | 164.       |
| OR-SL-06-54-N2-( )() | 183.       |
| OR-SL-06-60-N2-( )() | 205.       |
| OR-SL-06-66-N2-( )() | 226.       |
| OR-SL-06-72-N2-( )() | 245.       |
| OR-SL-06-30-ES-( )() | 123.       |
| OR-SL-06-36-ES-( )() | 144.       |
| OR-SL-06-42-ES-( )() | 164.       |
| OR-SL-06-48-ES-( )() | 183.       |
| OR-SL-06-60-ES-( )() | 226.       |
| OR-SL-06-72-ES-( )() | 265.       |
| OR-SL-06-24-EY-( )() | 123.       |
| OR-SL-06-30-EY-( )() | 144.       |
| OR-SL-06-36-EY-( )() | 164.       |
| OR-SL-06-42-EY-( )() | 183.       |
| OR-SL-06-48-EY-( )() | 205.       |
| OR-SL-06-54-EY-( )() | 226.       |
| OR-SL-06-60-EY-( )() | 245.       |
| OR-SL-06-66-EY-( )() | 265.       |
| OR-SL-06-72-EY-( )() | 287.       |

**Worksurface-mounted bracket:**  
Metal posts attach to underside of worksurface with C-clamp, raising Load Bar 10" above worksurface. Usable on worksurfaces 1 1/8"-1 13/16" thick. Set of 2 brackets. For Slatboards wider than 66", order additional brackets.

For use with load bars and 6 1/2" slatboards only.

#### **MOUNTING OPTIONS:**

See mounting option page

*Panel, stanchion and wall-mounted brackets:*

Wall, stanchion, or panel-mounted brackets are included in the list price.

Note: Other brackets for other manufacturers stations are available. Contact your KnollExtra Representative for more information.

#### **Custom Options**

##### *Note:*

Slatboard is available in custom lengths of up to 96". 100 piece minimum per line item. Please note that for all lengths greater than 66", load bar will be painted, not anodized.

Brackets are currently available for virtually every major office system. Panel-mounted brackets for other systems can be developed. Minimum of 100 sets per bracket. Tooling and set-up charges may be required.

#### **Construction**

Corrosion-resistant T-6063-T5 painted or anodized aluminum. End caps are 11 gauge steel painted matte black. Bottom rail is filled with 1/2" Delrin plastic pellets to support papers on Info Rail.


*Worksurface-mounted bracket:*  
Die-cast aluminum painted black.

All items manufactured in the United States.

# Orchestra® Universal System Accessories

by Bruce Hannah & Ayse Birsal

slatboard 14<sup>3</sup>/<sub>4</sub>"

| product   | description  | w   | d                               | h                                | wgt.            |
|---|--|-----|---------------------------------|----------------------------------|-----------------|
| Slatboard-14 <sup>3</sup> / <sub>4</sub> "<br> | <ul style="list-style-type: none"> <li>Fits virtually every office system. Mounts on panel, stanchion, wall or freestanding desk.</li> <li>8 horizontal accessory channels.</li> <li>Info rail underside holds memos and notes for easy access.</li> <li>Wall, stanchion, or panel-mounted brackets included in list price (see mounting options page).</li> </ul> | 24" | 1"                              | 14 <sup>3</sup> / <sub>4</sub> " | 5 lbs. 2 ozs.   |
|   |  | 30" | 1"                              | 14 <sup>3</sup> / <sub>4</sub> " | 6 lbs. 6 ozs.   |
|   |  | 35" | 1"                              | 14 <sup>3</sup> / <sub>4</sub> " | 7 lbs. 1 oz.    |
|   |  | 36" | 1"                              | 14 <sup>3</sup> / <sub>4</sub> " | 7 lbs. 1 oz.    |
|   |  | 42" | 1"                              | 14 <sup>3</sup> / <sub>4</sub> " | 9 lbs.          |
|   |  | 45" | 1"                              | 14 <sup>3</sup> / <sub>4</sub> " | 9 lbs.          |
|   |  | 48" | 1"                              | 14 <sup>3</sup> / <sub>4</sub> " | 10 lbs. 4 ozs.  |
|   |  | 54" | 1"                              | 14 <sup>3</sup> / <sub>4</sub> " | 11 lbs. 8 ozs.  |
|   |  | 60" | 1"                              | 14 <sup>3</sup> / <sub>4</sub> " | 12 lbs. 12 ozs. |
|   |  | 66" | 1"                              | 14 <sup>3</sup> / <sub>4</sub> " | 14 lbs.         |
|   |  | 72" | 1"                              | 14 <sup>3</sup> / <sub>4</sub> " | 15 lbs. 6 ozs.  |
| Slatboard-Equity Stanchion  |  | 24" | 1"                              | 14 <sup>3</sup> / <sub>4</sub> " | 5 lbs. 2 ozs.   |
|   |  | 30" | 1"                              | 14 <sup>3</sup> / <sub>4</sub> " | 6 lbs. 6 ozs.   |
|   |  | 36" | 1"                              | 14 <sup>3</sup> / <sub>4</sub> " | 7 lbs. 1 oz.    |
|   |  | 42" | 1"                              | 14 <sup>3</sup> / <sub>4</sub> " | 9 lbs.          |
|   |  | 54" | 1"                              | 14 <sup>3</sup> / <sub>4</sub> " | 11 lbs. 8 ozs.  |
|   |  | 66" | 1"                              | 14 <sup>3</sup> / <sub>4</sub> " | 14 lbs.         |
| Equity application  |  | 24" | 1"                              | 6 <sup>1</sup> / <sub>2</sub> "  | 2 lbs. 9 ozs.   |
|   |  | 30" | 1"                              | 6 <sup>1</sup> / <sub>2</sub> "  | 3 lbs. 3 ozs.   |
|   |  | 36" | 1"                              | 6 <sup>1</sup> / <sub>2</sub> "  | 3 lbs. 13 ozs.  |
|   |  | 42" | 1"                              | 6 <sup>1</sup> / <sub>2</sub> "  | 4 lbs. 8 ozs.   |
|   |  | 48" | 1"                              | 6 <sup>1</sup> / <sub>2</sub> "  | 5 lbs. 2 ozs.   |
|   |  | 54" | 1"                              | 6 <sup>1</sup> / <sub>2</sub> "  | 5 lbs. 12 ozs.  |
|   |  | 60" | 1"                              | 6 <sup>1</sup> / <sub>2</sub> "  | 6 lbs. 6 ozs.   |
|   |  | 66" | 1"                              | 6 <sup>1</sup> / <sub>2</sub> "  | 7 lbs.          |
|   | 72"  | 1"  | 6 <sup>1</sup> / <sub>2</sub> " | 7 lbs. 11 ozs.                   |                 |

## Order Code

**Example: OR-SL-14-42-EY-117-OR-BKT-PM-E**  
**OR-SL-14-** 42"W x 14"H slatboard  
**42**  
**EY** Equity suffix  
**117** Soft grey  
**OR-BKT-** Panel-mountrd bracket  
**PM-E** for Equity

## Ordering Information

*Specify:*  
 1. Pattern number  
 2. System  
 3. Finish  
 4. Mounting Option  
*anodized aluminum finish:*  
 Satin Anodized Aluminum (SA)  
 Special sizes and small quantity orders may be painted

*Painted aluminum finishes:*  
 Medium Grey (115)  
 Soft Grey (117)  
 Black (111)  
 Beige Mist Metallic (611)  
 Brown (112)  
 Dark Grey (113)  
 Folkstone Grey (114)  
 Sandstone (116)  
 Bright White (118)  
 Medium Grey Metallic (612)

*Painted Legacy aluminum finishes are still available for existing customers only:*  
 Medium Metallic Grey (DG)  
 Soft Grey (E)  
 Warm Putty (WP)  
 Flint (F)  
 Black (BK)

| pattern no.         | list price |
|---------------------|------------|
| OR-SL-14-24-()()    | \$327.     |
| OR-SL-14-30-()()    | 362.       |
| OR-SL-14-35-()()    | 395.       |
| OR-SL-14-36-()()    | 395.       |
| OR-SL-14-42-()()    | 436.       |
| OR-SL-14-45-()()    | 477.       |
| OR-SL-14-48-()()    | 477.       |
| OR-SL-14-54-()()    | 517.       |
| OR-SL-14-60-()()    | 560.       |
| OR-SL-14-66-()()    | 598.       |
| OR-SL-14-72-()()    | 642.       |
| OR-SL-14-30-ES-()() | 327.       |
| OR-SL-14-36-ES-()() | 362.       |
| OR-SL-14-42-ES-()() | 395.       |
| OR-SL-14-48-ES-()() | 436.       |
| OR-SL-14-60-ES-()() | 517.       |
| OR-SL-14-72-ES-()() | 598.       |
| OR-SL-14-24-EY-()() | 327.       |
| OR-SL-14-30-EY-()() | 362.       |
| OR-SL-14-36-EY-()() | 395.       |
| OR-SL-14-42-EY-()() | 436.       |
| OR-SL-14-48-EY-()() | 477.       |
| OR-SL-14-54-EY-()() | 517.       |
| OR-SL-14-60-EY-()() | 560.       |
| OR-SL-14-66-EY-()() | 598.       |
| OR-SL-14-72-EY-()() | 642.       |

**MOUNTING OPTIONS:**  
See mounting option page

*Note: Other brackets for other manufactures stations are available. Contact your KnollExtra Representative for more information.*

*Panel, stanchion and wall-mounted brackets:*

Wall, stanchion, or panel-mounted brackets are included in the list price and are specified when ordering pattern number. To specify appropriate panel-mounted bracket, consult the KnollExtra Bracket Chart on page 13 for appropriate suffix. For Equity panel-mounted applications, include an "EY" at end of base pattern number.

Worksurface mounted bracket is for use with load bars and 6 1/2" slatboards only.

**Custom Options**

*Note:*

Slatboard is available in custom lengths of up to 96". 100 piece minimum per line item. Please note that for all lengths greater than 66", load bar will be painted, not anodized.

Brackets are currently available for virtually every major office system. Panel-mounted brackets for other systems can be developed. Minimum of 100 sets per bracket. Tooling and set-up charges may be required.


**Construction**

Corrosion-resistant T-6063-T5 painted or anodized aluminum. End caps are 11 gauge steel painted matte black. Bottom rail is filled with 1/2" Delrin plastic pellets to support papers on Info Rail.

*Worksurface-mounted bracket:*  
Die-cast aluminum painted black.

All items manufactured in the United States.

Orchestra® Universal System Accessories  
 by Bruce Hannah & Ayse Birsal  
 mounting options

| product   | description  |
|---|--|
| Mounting Options<br> | Panel Mounted Bracket (Deep Universal only). Based on 1" centers. Set of 2.*                   |
|   | Panel Mounted Bracket (Dividends Panel only). Set of 2.*                                       |
|   | Panel Mounted Bracket (Equity only). Set of 2.*  |
|   | Panel Mounted Bracket (Morrison only). Set of 2.*  |
|   | Panel Mounted Bracket (Reff only). Set of 2.*  |
|   | Panel Mounted Bracket (Shallow Universal only). Based on 1" centers. Set of 2.*                |
|   | Stanchion-Mounted Bracket (Calibre only). Set of 2.*   |
|   | Stanchion-Mounted Bracket (Currents workshelf and stanchion). Set of 2.*                       |
|   | Stanchion-Mounted Bracket (Dividends only). Set of 2.*   |
|   | Stanchion-Mounted Bracket (Equity only). Set of 2.*  |
|   | Stanchion-Mounted Bracket (Morrison Network only). Set of 2.*                                  |
|   | Wall-Mounted Bracket. Set of 2.*   |
|   | Worksurface-Mounted Bracket. For load bars and 6 1/2" slatboards only. Set of 2. Black finish. |

\* No charge when ordered with Load Bar or Slatboard, configured in load bar and slatboard pattern numbers when ordered with load bars and slatboards.

| Order Code                         | Ordering Information |   |  |
|------------------------------------|----------------------|---|--|
| Example: <b>OR-BKT-SM-A</b>        | <i>Specify:</i>      | <b>MOUNTING OPTIONS:</b>  | <b>Worksurface-mounted bracket:</b>  |
| <b>OR-BKT-</b> Worksurface-mounted | 1. Pattern number    | <i>Panel, stanchion and wall-mounted brackets:</i>  | Metal posts attach to underside of worksurface with C-clamp, raising Load Bar 10" above worksurface.   |
| <b>SM-A</b> bracket                |                      | Wall, stanchion, or panel-mounted brackets are included in the list price and are specified when ordering pattern number. | Usable on worksurfaces 7/8"-1 1/2" thick. Set of 2 brackets. For Load Bars wider than 66", order additional brackets. For use with load bars and 6 1/2" slatboards only. |



| pattern no.    | list price |
|----------------|------------|
| OR-BKT-PM-B *  | \$11.      |
| OR-BKT-PM-DV * | 11.        |
| OR-BKT-PM-E *  | 13.        |
| OR-BKT-PM-M *  | 11.        |
| OR-BKT-PM-R *  | 11.        |
| OR-BKT-PM-D *  | 11.        |
| OR-BKT-PM-CE * | 13.        |
| OR-BKT-PM-CS * | 24.        |
| OR-BKT-PM-DS * | 13.        |
| OR-BKT-PM-ES * | 13.        |
| OR-BKT-PM-N *  | 13.        |
| OR-BKT-WM *    | 21.        |
| OR-BKT-SM-A    | 132.       |

**Custom Options**

Brackets are currently available for virtually every major office system. Panel-mounted brackets for other systems can be developed. Minimum of 100 sets per bracket. Tooling and set-up charges may be required. Contact your KnollExtra representative or Customer Service for complete pricing information.

Note: Other brackets for other manufacturers stations are available. Contact your KnollExtra Representative for more information.

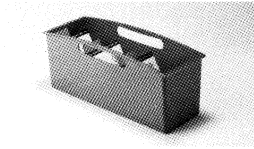
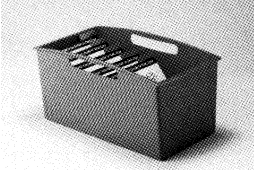
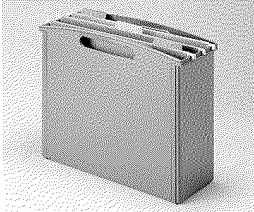
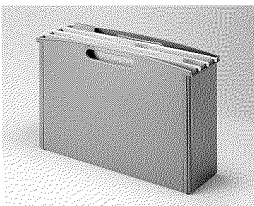
**Construction**

*Worksurface-mounted bracket:*  
Die-cast aluminum painted black.  
All items manufactured in the United States.

**Design Awards**

Permanent Collection of the Cooper-Hewitt, National Design Museum, Smithsonian Institution, 1994; ROSCOE Award, Interior Design Magazine, 1991; Outstanding Performance, Product Design Achievement Award, IBD Southern California Chapter, 1991; Bronze Award, IBD Product Design Competition, 1990.

Orchestra® Universal System Accessories  
 by Brooks Rorke  
*file totes*

| product  | description  | w   | d      | h      | wgt.         |
|--|--|-----|--------|--------|--------------|
| Portable Small Diskette Tote<br>    | <ul style="list-style-type: none"> <li>• Holds up to 75 3 1/2" disks.</li> <li>• Suspends in standard hanging file drawer - up to 3 disk holders per drawer.</li> <li>• Integrated handles permit easy transport.</li> <li>• 4 adjustable divider inserts included for organizing and labeling disk files.</li> <li>• Ribbed floor holds disks in place.</li> </ul>                            | 12" | 4 1/2" | 5"     | 1 lb. 1 oz.  |
| Portable Large Diskette Tote<br>    | <ul style="list-style-type: none"> <li>• Holds up to 125 5 1/4" disks.</li> <li>• Holds CD Roms.</li> <li>• Suspends in standard hanging file drawer - up to 3 disk holders per drawer.</li> <li>• Integrated handles permit easy transport.</li> <li>• 4 adjustable divider inserts included for organizing and labeling disk files.</li> <li>• Ribbed floor holds disks in place.</li> </ul> | 12" | 6 1/2" | 6"     | 1 lb. 3 ozs. |
| Portable Letter Size File Tote<br> | <ul style="list-style-type: none"> <li>• Holds up to 15 letter size hanging files.</li> <li>• Suspends in standard hanging file drawer - up to 3 file holders per drawer.</li> <li>• Integrated handles permit easy transport.</li> </ul>  | 12" | 4"     | 9 1/4" | 1 lb. 2 ozs. |
| Portable Legal Size File Tote<br> | <ul style="list-style-type: none"> <li>• Holds up to 15 legal size hanging files.</li> <li>• Suspends in standard hanging file drawer - up to 3 file holders per drawer.</li> <li>• Integrated handles permit easy transport.</li> </ul>   | 15" | 4 1/4" | 9 1/4" | 1 lb. 6 ozs. |

**Order Code**

Example: **ORCH-PF-SD-DG**

**ORCH-PF**- Small diskette tote

**SD**

**DG** Medium grey

**Ordering Information**

*Specify:*

1. Pattern number
2. Finish

*opaque:*  
 Black (BK)  
 Medium Grey (DG)

*translucent:*  
 Clear (CL)

*Note:*

Portable Totes are for freestanding or file drawer-suspended use. They may not be rail-mounted.

**Custom Options**

Custom colors available upon sample chip approval. \$250 color match fee and 500 piece minimum per line item.

| pattern no. | opaque | translucent |
|-------------|--------|-------------|
| ORCH-PF-SD  | \$42.  | \$53.       |
| ORCH-PF-LD  | 48.    | 55.         |
| ORCH-PF-LT  | 52.    | 66.         |
| ORCH-PF-LG  | 57.    | 77.         |

Office System Accessories

System top cap-mounted signage plate available, designed to customer specifications and system. Customer responsible for graphics. 100 unit minimum. Contact your KnollExtra representative or Customer Service for complete pricing information.

**Construction**


*Opaque plastic finishes:*  
Sturdy polystyrene plastic in matte, textured finish. Fingerprint resistant.  
Manufactured in the United States.

**Design Awards**

Permanent Collection of the Cooper-Hewitt, National Design Museum, Smithsonian Institution, 1994; ROSCOE Award, Interior Design Magazine, 1991; Outstanding Performance, Product Design Achievement Award, IBD Southern California Chapter, 1991; Bronze Award, IBD Product Design Competition, 1990.

# Adjustable Keyboard Supports

## *Romeo and Juliet Platform/Mechanism Configurations*

| product  | description  | type   | w          | d             | h     | wgt.       |
|--|--|--|------------|---------------|-------|------------|
| Romeo and Juliet Platform and Mouse Pad<br> | <b>Romeo</b><br>20" min., 28" max. x 11" x 1". 2"H with palm rest<br><ul style="list-style-type: none"> <li>Rigid plastic platform with steel stiffener plate for stable keying surface.</li> <li>Flexible soft textured plastic overcoat.</li> <li>Thin profile for extra knee room.</li> </ul> | Romeo and Juliet with easy lift arm            | 20.25"-28" | 12.5"-17.25"  | 2.25" | 13.6 lbs.  |
|  |  | Romeo and Juliet with short easy lift arm      | 20.25"-28" | 12.5"-17.25"  | 2.25" | 12.1 lbs.  |
|  |  | Romeo and Juliet with sit/stand arm            | 20.25"-28" | 12.50"-17.25" | 2.25" | 15.4 lbs.  |
|  |  | Romeo and Juliet with sit/stand arm with pivot | 20.25"-28" | 12.5"-17.25"  | 2.25" | 17.22 lbs. |

**Juliet**  
 A teardrop shaped mouse pad that swivels under the keyboard platform for easy storage. Soft plastic overcoat and lip keep mouse from sliding off during adjustments.  
**See Mechanism Attributes below.**

|        |  |  |        |     |        |             |
|--------|--|--|--------|-----|--------|-------------|
| Juliet | Juliet with palm rest. Mounted for right-handed use. |  | 9 1/2" | 11" | 1 1/8" | 1 lb. 4 oz. |
|--------|--|--|--------|-----|--------|-------------|



| Order Code  | Ordering Information   | Application Notes  | Construction  |
|---|--|--|---|
| Example: <b>OA-K-RJ-EL2-BK (16,18,22,25)</b><br><b>OA-K-RJ-EL2-BK</b> Romeo and Juliet platform mounted on an (16,18, 22, easy lift mechanism 25) | <i>Specify:</i><br>1. Pattern number<br>2. Track size (if applicable)<br><br><i>Track length:</i><br>Options are 16, 17.750, 21.625 and 25 inches.<br><br>Minimum clearance required is the length of the track plus 1/2".<br><br>Romeo and Juliet and Act II have two width and depth measurements based on whether the mouse is open or closed. The larger measurement reflects on open mouse. | Keyboard support provides users with a more comfortable working environment by allowing them to adjust the height and pitch of the platform holding their computer keyboard. When not in use, the Adjustable Keyboard Support stores the keyboard under the worksurface to free vital worksurface space.<br><br>Worksurface should be mounted in the desk height position. | <i>Romeo and Juliet Platform and Mouse pad:</i><br>Molded rigid PVC base with flexible soft textured PVC surface. Steel stiffener plate at the base of the platform.<br><br><i>Palm rests:</i><br>Nylon upholstered palm rest of dual density polyurethane.<br><br><i>Mechanisms:</i><br>All arms are steel with a powdercoat finish. Tracks are steel with nylon glides. |

| pattern no.                    | list price |
|--------------------------------|------------|
| OAK-RJ-EL2-BK-(16,18,22,25)    | \$474.     |
| OAK-RJ-SL2-BK-(16,18, 22, 25)  | 424.       |
| OAK-RJ-SS2-BK-(16,18,22,25)    | 565.       |
| OAK-RJ-SS2-BK-PT-(16,18,22,25) | 624.       |

|           |     |
|-----------|-----|
| 4B2-MP-WR | 57. |
|-----------|-----|

### Mechanism Attributes

#### Easy lift arm:

- Spring assist adjustment
- Knobless height adjustment
- Soft touch knob adjusts tilt from 0° to (-) 15°
- Variable height adjustment of 6.825" (up 2.625", down 4.25")
- Pivots side to side 360°
- Black textured finish with black soft touch knob
- Mounts on virtually any worksurface

#### Sit/Stand arm:

- Spring assist adjustment
- Knobless height adjustment
- Soft touch knob adjusts tilt from 0° to (-) 15°
- Variable height adjustment of 9" (up 5", down 4")
- Pivots side to side 360°
- Black textured finish.
- Mounts on virtually any worksurface

#### Sit/Stand Arm with Pivot:

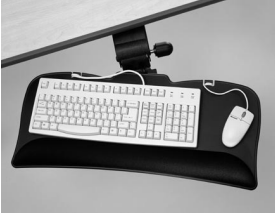
Same features as the Sit/Stand arm plus the keyboard platform moves independently from arm, allowing it to parallel the worksurface as the arm is moved laterally.

#### Short easy lift arm:

- Spring assist adjustment
- Knobless height adjustment
- Soft touch knob adjusts tilt from 0° to (-) 15°
- Variable height adjustment of 4 1/4" (up 1/2", down 3 3/4")
- Pivots side to side 360°
- Black textured metal finish

# Adjustable Keyboard Supports

## *Prospero Platform/Mechanism Configurations*

| product  | description   | type                                   | w      | d      | h  | wgt.      |
|--|---|--|--------|--------|----|-----------|
| Prospero Platform<br> | <b>Prospero</b> <ul style="list-style-type: none"> <li>• 26" x 11" x 1"</li> <li>• 2" with palm rest</li> <li>• Rigid plastic platform with steel stiffener plate for stable keying surface.</li> <li>• Flexible soft textured plastic overcoat.</li> <li>• Thin profile for extra knee room.</li> <li>• Included palm rest provides soothing support by displacement.</li> <li>• Sized to accommodate keyboard and mouse on the same plane.</li> <li>• No additional mousing surface required</li> </ul> <b>See Mechanism Attributes below</b> | Prospero with easy lift arm            | 26.25" | 11.50" | 2" | 14.3 lbs. |
|  |   | Prospero with short easy lift arm      | 26.25  | 11.50" | 2" | 12.8 lbs. |
|  |   | Prospero with sit/stand arm            | 26.25" | 11.50" | 2" | 16.1 lbs. |
|  |   | Prospero with sit/stand arm with pivot | 26.25" | 11.50" | 2" | 17.9 lbs. |

| Order Code   | Ordering Information   | Application Notes  | Construction  |
|--|--|--|---|
| Example: <b>OA-K-PR-EL2-BK</b><br><b>(16,18,22,25)</b><br><hr/> <b>OA-K-PR-EL2-BK</b> Prospero platform<br>mounted on an easy<br><b>(16,18,22,25)</b> lift mechanism | <i>Specify:</i><br>1. Pattern number<br>2. Track size (if applicable)<br><br><i>Track length:</i><br>Options are 16, 17.750, 21.625 and 25 inches.<br><br>Minimum clearance required is the length of the track plus 1/2". | Keyboard support provides users with a more comfortable working environment by allowing them to adjust the height and pitch of the platform holding their computer keyboard. When not in use, the Adjustable Keyboard Support stores the keyboard under the worksurface to free vital worksurface space.<br><br>Worksurface should be mounted in the desk height position. | <i>Prospero:</i><br>Molded rigid PVC base with flexible soft textured PVC surface. Steel stiffener plate at the base of the platform.<br><br><i>Mechanisms:</i><br>All arms are steel with a powdercoat finish. Tracks are steel with nylon glides. |

| pattern no.                            | list price |
|--|------------|
| <b>OA-K-PR-EL2-BK-(16,18,22,25)</b>    | \$441.     |
| <b>OA-K-PR-SL2-BK-(16,18,22,25)</b>    | 385.       |
| <b>OA-K-PR-SS2-BK-(16,18,22,25)</b>    | 509.       |
| <b>OA-K-PR-SS2-BK-PT-(16,18,22,25)</b> | 567.       |

### Mechanism Attributes

#### *Easy lift arm:*

- Spring assist adjustment
- Knobless height adjustment
- Soft touch knob adjusts tilt from 0° to (-) 15°
- Variable height adjustment of 6.825" (up 2.625", down 4.25")
- Pivots side to side 360°
- Black textured finish with black soft touch knob
- Mounts on virtually any worksurface

#### *Sit/Stand Arm:*

- Spring assist adjustment
- Knobless height adjustment
- Soft touch knob adjusts tilt from 0° to (-) 15°
- Variable height adjustment of 9" (up 5", down 4")
- Pivots side to side 360°
- Black textured finish.
- Mounts on virtually any worksurface

#### *Sit/Stand Arm with Pivot:*


Same features as the sit/stand arm plus the keyboard platform moves independently from arm, allowing it to parallel the worksurface as the arm is moved laterally.

#### *Short Easy Lift Arm:*

- Spring assist adjustment
- Knobless height adjustment
- Soft touch knob adjusts tilt from 0° to (-) 15°
- Variable height adjustment of 4 1/4" (up 1/2", down 3 3/4")
- Pivots side to side 360°
- Black textured metal finish

# Adjustable Keyboard Supports

## Caesar Platform/Mechanism Configurations

| product   | description  | type                      | w   | d   | h      | wgt. |
|---|--|---------------------------|-----|-----|--------|------|
| Caesar Platform   | <b>Caesar</b> <ul style="list-style-type: none"> <li>• 18" x 9 1/2" x 1/4"</li> <li>• Sturdy metal platform attaches Microsoft® keyboard to mechanism.</li> <li>• Suitable for both Natural and Elite styles of Microsoft keyboards.</li> </ul> <b>See Mechanism Attributes below.</b> | Caesar with easy lift arm | 18" | 25" | 2 1/2" |      |
|  |  | Caesar with sit/stand arm | 18" | 25" | 4 1/4" |      |
| Caesar Plate to retrofit to existing mechanisms                                   |  |                           |     |     |        |      |

| Order Code  | Ordering Information  | Application Notes  | Construction  |
|---|---|--|---|
| Example: <b>OA-K-EL2-MS</b><br><b>(16,18,22,25)</b> | <i>Specify:</i><br>1. Pattern number<br>2. Mouse size<br><br>Track length options are 16, 17.750, 21.625 and 25 inches. | Keyboard support provides users with a more comfortable working environment by allowing them to adjust the height and pitch of the platform holding their computer keyboard. When not in use, the Adjustable Keyboard Support stores the keyboard under the worksurface to free vital worksurface space.<br><br>Worksurface should be mounted in the desk height position. | <i>Caesar:</i><br>Black textured powdercoated steel plate<br><br><i>Mechanisms:</i><br>All arms are steel with a powdercoat finish. Tracks are steel with nylon glides.<br><br>Microsoft® is a registered trademark of the Microsoft Corporation. |
| <b>OA-K-EL2-MS</b><br><b>(16,18,22,25)</b>          | Caesar platform mounted on an easy lift mechanism   |  |   |



| pattern no.                      | list price |
|----------------------------------|------------|
| <b>OA-K-EL2-MS-(16,18,22,25)</b> | \$350.     |
| <b>OA-K-SS2-MS-(16,18,22,25)</b> | 452.       |

|                |     |
|----------------|-----|
| <b>OA-K-MS</b> | 79. |
|----------------|-----|

### Mechanism Attributes

#### *Easy lift arm:*

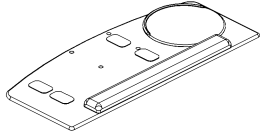
- Spring assist adjustment
- Knobless height adjustment
- Soft touch knob adjusts tilt from 0° to (-) 15°
- Variable height adjustment of 6.825" (up 2.625", down 4.25")
- Pivots side to side 360°
- Black textured finish with black soft touch knob
- Mounts on virtually any worksurface

#### *Sit/Stand arm:*

- Spring assist adjustment
- Knobless height adjustment
- Soft touch knob adjusts tilt from 0° to (-) 15°
- Variable height adjustment of 9" (up 5", down 4")
- Pivots side to side 360°
- Black textured finish.
- Mounts on virtually any worksurface

# Adjustable Keyboard Supports

## Act I

| product   | description             | type                                   | w      | d     | h     | mdf   | h phn | mdf<br>wgt.  | phn<br>wgt.  |
|---|-------------------------|--|--------|-------|-------|-------|-------|--------------|--------------|
|  | Act I keyboard platform | Act I with Easy Lift arm               | 26.75" | 11.5" | 1.44" | 1.31" |       | 10.6<br>lbs. | 11.3<br>lbs. |
|   | Act I keyboard platform | Act I with Short Easy Lift             | 26.75" | 11.5" | 1.44" | 1.31" |       | 9.1<br>lbs.  | 9.8<br>lbs.  |
|   | Act I keyboard platform | Act I with Sit/Stand arm               | 26.75" | 11.5" | 1.44" | 1.31" |       | 12.4<br>lbs. | 13.1<br>lbs. |
|   | Act I keyboard platform | Act I with Sit/Stand arm with<br>Pivot | 26.75" | 11.5" | 1.44" | 1.31" |       | 14.2<br>lbs. | 14.9<br>lbs. |

| Order Code                            | Ordering Information   | Application Notes  | Construction   |
|---------------------------------------|--|--|--|
| Example: <b>OA-K-A1-W-EL2-BK-18</b>   | When you specify, you will be prompted to indicate either MDF (W) or phenolic (P). | Keyboard support provides users with a more comfortable working environment by allowing them to adjust the height and pitch of the platform holding their computer keyboard. When not in use, the Adjustable Keyboard Support stores the keyboard under the worksurface to free vital worksurface space. | Board is either MDF or phenolic.   |
| <b>OAK</b> Office automation keyboard | Track length options are 16, 17.750, 21.625 and 25 inches.                         | Worksurface should be mounted in the desk height position.   | Wristrest is foam-filled vinyl on MDF board.   |
| <b>A1</b> Act I                       | Standard color is black.   |  | Mousepad is lycra covered polyurethane.  |
| <b>W</b> Wood                         | Minimum clearance required is the length of the track plus 1/2".                   |  | Mechanism: All arms are steel with a powder-coated finish. Tracks are steel with nylon glides. |
| <b>EL2</b> Easy-lift mechanism        |  |  |  |
| <b>BK</b> Black                       |  |  |  |
| <b>18</b> Track length of 18 inches   |  |  |  |

| pattern no.                        | list   |
|------------------------------------|--------|
| OAK-A1-W/P-EL2-BK-(16,18,22,25)    | \$356. |
| OAK-A1-W/P-SL2-BK-(16,18,22,25)    | 333.   |
| OAK-A1-W/P-SS2-BK-(16,18,22,25)    | 446.   |
| OAK-A1-W/P-SS2-BK-PT-(16,18,22,25) | 506.   |

### Mechanism Attributes

#### *Easy Lift Arm:*

- Spring assist adjustment
- Knobless height adjustment
- Soft touch knob adjusts tilt from 0° to (-) 15°
- Variable height adjustment of 6.825" (up 2.625", down 4.25")
- Pivots side to side 360°
- Black textured finish with Black Soft touch knob.
- Mounts on virtually any worksurface

#### *Sit/Stand Arm:*

- Spring assist adjustment
- Knobless height adjustment
- Soft touch knob adjusts tilt from 0° to (-) 15°
- Variable height adjustment of 9" (up 5", down 4")
- Pivots side to side 360°
- Black textured finish.
- Mounts on virtually any worksurface

#### *Sit/Stand Arm with Pivot:*

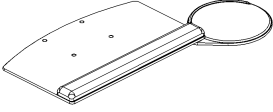
Same features as the sit/stand arm plus the keyboard platform moves independently from arm, allowing it to parallel the worksurface as the arm is moved laterally.

#### *Short Easy Lift Arm:*

- Spring assist adjustment
- Knobless height adjustment
- Soft touch knob adjusts tilt from 0° to (-) 15°
- Variable height adjustment of 4 1/4" (up 1/2", down 3 3/4")
- Pivots side to side 360°
- Black textured metal finish

# Adjustable Keyboard Supports

## Act II

| product   | description              | type   | w         | d            | h     | wgt.       |
|---|--------------------------|--|-----------|--------------|-------|------------|
|  | Act II keyboard platform | Act II with Easy Lift arm                              | 19-27.25" | 11.50-14.75" | 1.69" | 11 lbs.    |
|   | Act II keyboard platform | Act II with Easy Lift arm with 2 mouse pads            | 19-35.5"  | 11.50-14.75" | 1.69" |            |
|   | Act II keyboard platform | Act II with Short Easy Lift arm                        | 19-27.25" | 11.50-14.75" | 1.69" | 9.5 lbs.   |
|   | Act II keyboard platform | Act II with Short Easy Lift arm with 2 mouse pads      | 19-35.5"  | 11.50-14.75" | 1.69" |            |
|   | Act II keyboard platform | Act II with Sit/Stand arm                              | 19-27.25" | 11.50-14.75" | 1.69" | 12.81 lbs. |
|   | Act II keyboard platform | Act II with Sit/Stand arm with 2 mouse pads            | 19-35.5"  | 11.50-14.75" | 1.69" |            |
|   | Act II keyboard platform | Act II with Sit/Stand arm with 2 mouse pads with Pivot | 19-35.5"  | 11.50-14.75" | 1.69" |            |
|   | Act II keyboard platform | Act II with Sit/Stand arm with Pivot                   | 19-27.25" | 11.50-14.75" | 1.69" | 14.6 lbs.  |

| Order Code                                      | Ordering Information   | Application Notes  | Construction   |
|---|--|--|--|
| Example: <b>OAK-A2-P-1-EL2-BK-(18,22,25)</b>    | Track length options are 17.750, 21.625 and 25 inches.           | Keyboard support provides users with a more comfortable working environment by allowing them to adjust the height and pitch of the platform holding their computer keyboard. When not in use, the Adjustable Keyboard Support stores the keyboard under the worksurface to free vital worksurface space.<br><br>Worksurface should be mounted in the desk height position. | Board is phenolic.   |
| <b>OAK</b> Office automation keyboard           | Standard color is black.   |  | Wristrest is foam-filled vinyl on MDF board.   |
| <b>A2</b> Act 2                                 | Minimum clearance required is the length of the track plus 1/2". |  | Mousepad is lycra covered polyurethane.  |
| <b>P</b> phenolic (standard)                    |  |  | Mechanism: All arms are steel with a powder-coated finish. Tracks are steel with nylon glides. |
| <b>1</b> Mouse pad comes standard on right side |  |  |  |
| <b>EL2</b> Easy-lift mechanism                  |  |  |  |
| <b>BK</b> Black                                 |  |  |  |
| <b>18</b> Track length of 18 inches             |  |  |  |

| pattern no.                        | list   |
|------------------------------------|--------|
| OAK-A2-P-1-EL2-BK-(16,18,22,25)    | \$385. |
| OAK-A2-P-2-EL2-BK-(16,18,22,25)    | 425.   |
| OAK-A2-P-1-SL2-BK-(16,18,22,25)    | 362.   |
| OAK-A2-P-2-SL2-BK-(16,18,22,25)    | 419.   |
| OAK-A2-P-1-SS2-BK-(16,18,22,25)    | 474.   |
| OAK-A2-P-2-SS2-BK-(16,18,22,25)    | 518.   |
| OAK-A2-P-2-SS2-BK-PT-(16,18,22,25) | 569.   |
| OAK-A2-P-1-SS2-BK-PT-(16,18,22,25) | 533.   |

### Mechanism Attributes

#### *Easy Lift Arm:*

- Spring assist adjustment
- Knobless height adjustment
- Soft touch knob adjusts tilt from 0° to (-) 15°
- Variable height adjustment of 6.825" (up 2.625", down 4.25")
- Pivots side to side 360°
- Black textured finish with Black soft touch knob
- Mounts on virtually any worksurface

#### *Sit/Stand Arm:*

- Spring assist adjustment
- Knobless height adjustment
- Soft touch knob adjusts tilt from 0° to (-) 15°
- Variable height adjustment of 9" (up 5", down 4")
- Pivots side to side 360°
- Black textured finish.
- Mounts on virtually any worksurface




*Easy lift arm with pivot:*  
Same features as the easy lift arm plus the keyboard platform moves independently from arm, allowing it to parallel the worksurface as the arm is moved laterally.

#### *Short Easy Lift Arm:*

- Spring assist adjustment
- Knobless height adjustment
- Soft touch knob adjusts tilt from 0° to (-) 15°
- Variable height adjustment of 4 1/4" (up 1/2, down 3 3/4)
- Pivots side to side 360°
- Black textured metal finish

# Adjustable Keyboard Supports

## Mousing Solutions

| product   | description   | type                         | w   | d      | h      | wgt.           |
|---|---|------------------------------|-----|--------|--------|----------------|
| <b>Juliet Mouse Pad</b><br>        | <ul style="list-style-type: none"> <li>• Teardrop shaped mousing surface swivels under the keyboard platform.</li> <li>• Attaches to the underside of the platform.</li> <li>• Soft plastic overcoat keeps the mouse from sliding during adjustments.</li> </ul>    |                              | 11" | 10"    | 1 1/2" | 1 lb.<br>3 oz. |
|   |   | for use with Caesar platform | 11" | 10"    | 1 1/2" | 1 lb.<br>3 oz. |
| <b>Juliet Palm Rest</b><br>        | <ul style="list-style-type: none"> <li>• Palm rest to retrofit to existing mouse pad.</li> <li>• Palm rest provides soothing support.</li> </ul>  |                              | 6"  | 2 1/4" | 1/2"   | 1 oz.          |
| <b>Over ten-key mouse pad</b><br> | <ul style="list-style-type: none"> <li>• Mouse flips over ten-keypad.</li> <li>• Tension fit allows users to adjust tilt</li> <li>• Generous size pad for easy mousing</li> <li>• For use with Romeo platform only (platforms manufactured from 2002 on)</li> </ul> | for use with Romeo only      |     |        |        |                |

### Order Code

Example: **4B2-MP**

**4B2-MP** Juliet mouse pad

### Ordering Information

Specify:

1. Pattern number

Not all mousing solutions are appropriate with all platforms.

### Application Notes

### Construction

*Worksurface mounted surf mousepad:*  
Black painted steel mechanism mounted with hard surface backed surf mouse pad.

*Juliet mouse pad:*  
30% Glass filled molded black rigid PVC base with black flexible soft textured PVC surface for improved mouse tracking.

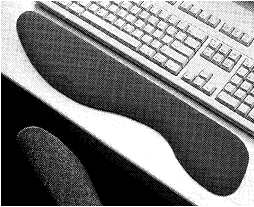

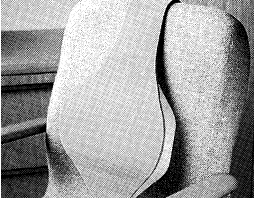
*Juliet palm rest:*  
Nylon upholstered palm rest is dual density polyurethane. The gel beneath the fabric, nominally .65", is formulated to provide soothing support.

| pattern no.       | list price |
|-------------------|------------|
| <b>4B2-MP</b>     | \$37.      |
| <b>4B2-MP-MS</b>  | 46.        |
| <b>4B2-WR</b>     | 21.        |
| <b>OAK-OTK-MP</b> | 39.        |

Office Automation  
Accessories

# Freestanding Surf® Ergonomic Accessories

by Ross Lovegrove & Stephen Peart

| product   | description  | type | w       | d       | h      | wgt.           |
|---|--|------|---------|---------|--------|----------------|
| Wrist Rest<br>       | <ul style="list-style-type: none"> <li>• Soft, biomorphic form reduces strain on wrist.</li> <li>• Long, radial shape with single straight edge ensures a tightfit with standard size keyboards.</li> <li>• Gel pad for greater use comfort.</li> </ul>  |      | 19"     | 4 1/8"  | 1"     | 7 ozs.         |
| Mouse Pad<br>        | <ul style="list-style-type: none"> <li>• Waterfall edges maximize mouse surface.</li> <li>• Non-handed shape allows for a snug fit oneither side of keyboard.</li> </ul>   |      | 19"     | 9 3/8"  | 1"     | 3 lbs. 6 ozs.  |
| Lumbar Support<br> | <ul style="list-style-type: none"> <li>• Self-adjusts over any seat back.</li> <li>• Heat and pressure reactive foam responds to individualuser.</li> <li>• Support returns to original form within 10 seconds afteruse.</li> <li>• Neoprene nylon outer skin allows body to breathe comfortably.</li> </ul> |      | 12 1/2" | 30 3/4" | 2 3/8" | 1 lbs. 10 ozs. |

| Order Code   | Ordering Information  | Ergonomic Value   |
|--|---|---|
| Example: <b>SF-WR-FS-BK-G</b><br><b>SF-WR-FS</b> Wrist rest<br><b>BK</b> Black | <i>Specify:</i><br>1. Pattern number<br>2. Finish<br><br><i>Neoprene nylon finishes:</i><br>Black (BK)<br><br><i>Surf Board painted finishes:</i><br>Soft Grey (E)<br>Medium Metallic Grey (J)<br>Soft Touch Light Grey (GS)<br>Soft Touch Black (BS) | <p>The Surf Collection wrist rest, mouse pad, and lumbar support play a critical role in workplace ergonomics. Proper use of these pieces helps users maintain the body neutral position, reducing harmful strain on muscles and joints.</p> <p>The collection's design advantage is in its simplicity. These accessories are extraordinarily versatile and flexible, responding to the individual needs of the specific user, unlike over-engineered mechanical pieces.</p> <p>Each piece in the Surf Collection is a "footprint form," derived from natural ergonomic movements. No sharp edges or angles are used. As a result, the accessories can be approached by the user from any direction. The Surf soft, biomorphic shapes echo the curves and contours of the human body.</p> <p><i>Lumbar support note:</i><br/>           Back problems are the second leading cause of lost work time after the common cold. Most back rests utilize rigid, unyielding materials, ignoring the diversity of human form and movement.</p> |



| pattern no.            | list price |
|------------------------|------------|
| <b>SF-WR-FS-(BK)-G</b> | \$83.      |

|                        |     |
|------------------------|-----|
| <b>SF-MP-FS-(BK)-G</b> | 77. |
|------------------------|-----|

|              |      |
|--------------|------|
| <b>SF-LS</b> | 227. |
|--------------|------|

#### General Notes

The Surf Lumbar Support rests loosely over the chair like a saddle bag, held in place by a counter balance weight. The piece is easily adjusted up or down, to the preference of the user.

The supports high performance patented foam molds itself to both the user and the chair back. As the user moves throughout the workday, the foam responds in kind, continuously resculpting itself around the user's body. When body pressure is removed, the lumbar support returns to its original form within 10 seconds, ready for the next user.

#### Construction

*Surf Board:*  
Rigid steel plate with 1" thick rolled front detail. Black rubber bumpers and non-scuffing felt back.

*Wrist rest and mouse pad:*  
Nylon upholstered dual-density polyurethane. Gel beneath fabric, nominally .65", is formulated to provide soothing support by displacement.

*Lumbar support:*  
High memory, heat-reactive patented polyurethane foam developed for high performance use in military fighter pilot seats. Covered with wear-resistant, closed cell Neoprene and a bright colored, breathable nylon outer skin. Die-cast zinc counter-balance weight.

All items manufactured in the United States.

#### Design Awards


First place, Interior Design Product Award, ASID, 1994. High Design Quality Red Dot Award, Design Zentrum, Germany, 1994.

*Lumbar support:*  
Honorable Mention, Furniture, *ID Magazine* Annual Design Review, 1994.

*Surf Board:*  
Best of Category Award, Consumer Products, *ID Magazine* Annual Design Review, 1994.

# Freestanding Surf® Ergonomic Accessories

by Ross Lovegrove & Stephen Peart

| product  | description   | type              | w       | d       | h  | wgt.    |
|--|---|-------------------|---------|---------|----|---------|
| Surf Board VDT Corner<br> | <ul style="list-style-type: none"> <li>• Fits any worksurface thickness or edge profile.</li> <li>• Creates generous 24" wide VDT corner, 14" from worksurface corner.</li> <li>• Can be adjusted to any angle, or removed when not needed.</li> <li>• Integral non-handed mouse pad.</li> <li>• Felt back and rubber bumpers protect worksurface.</li> </ul> | Metallic finish   | 41 1/2" | 16 1/2" | 1" | 14 lbs. |
|  |   | Soft touch finish | 41 1/2" | 16 1/2" | 1" | 14 lbs. |

## Order Code

Example: **SF-WR-FS-BK-G**

**SF-WR-FS** Wrist rest

**BK** Black

## Ordering Information

*Specify:*

1. Pattern number
2. Finish

*Neoprene nylon finishes:*  
Black (BK)

*Surf Board painted finishes:*  
Soft Grey (E)  
Medium Metallic Grey (J)  
Soft Touch Light Grey (GS)  
Soft Touch Black (BS)

## Ergonomic Value

The Surf Collection wrist rest, mouse pad, and lumbar support play a critical role in workplace ergonomics. Proper use of these pieces helps users maintain the body neutral position, reducing harmful strain on muscles and joints.

The collection's design advantage is in its simplicity. These accessories are extraordinarily versatile and flexible, responding to the individual needs of the specific user, unlike over-engineered mechanical pieces.

Each piece in the Surf Collection is a "footprint form," derived from natural ergonomic movements. No sharp edges or angles are used. As a result, the accessories can be approached by the user from any direction. The Surf soft, biomorphic shapes echo the curves and contours of the human body.

*Lumbar support note:*  
Back problems are the second leading cause of lost work time after the common cold. Most back rests utilize rigid, unyielding materials, ignoring the diversity of human form and movement.

| pattern no.           | list price |
|-----------------------|------------|
| <b>SF-SB-(E, J)</b>   | \$247.     |
| <b>SF-SB-(GS, BS)</b> | 311.       |

**General Notes**

The Surf Lumbar Support rests loosely over the chair like a saddle bag, held in place by a counter balance weight. The piece is easily adjusted up or down, to the preference of the user.

The supports high performance patented foam molds itself to both the user and the chair back. As the user moves throughout the workday, the foam responds in kind, continuously resculpting itself around the user's body. When body pressure is removed, the lumbar support returns to its original form within 10 seconds, ready for the next user.

**Construction**

*Surf Board:*  
Rigid steel plate with 1" thick rolled front detail. Black rubber bumpers and non-scuffing felt back.

*Wrist rest and mouse pad:*  
Nylon upholstered dual-density polyurethane. Gel beneath fabric, nominally .65", is formulated to provide soothing support by displacement.

*Lumbar support:*  
High memory, heat-reactive patented polyurethane foam developed for high performance use in military fighter pilot seats. Covered with wear-resistant, closed cell Neoprene and a bright colored, breathable nylon outer skin. Die-cast zinc counter-balance weight.

All items manufactured in the United States.

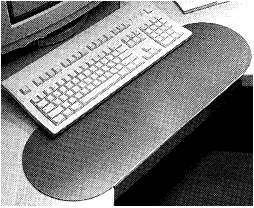
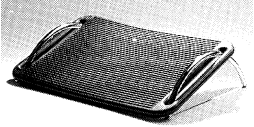
**Design Awards**

First place, Interior Design Product Award, ASID, 1994. High Design Quality Red Dot Award, Design Zentrum, Germany, 1994.

*Lumbar support:*  
Honorable Mention, Furniture, *ID Magazine* Annual Design Review, 1994.

*Surf Board:*  
Best of Category Award, Consumer Products, *ID Magazine* Annual Design Review, 1994.

# Freestanding Ergonomic Accessories

| product  | description   | type              | w                   | d                  | h                                     | wgt.           |
|--|---|-------------------|---------------------|--------------------|---------------------------------------|----------------|
| <b>VDT Sleeve</b><br>           | <ul style="list-style-type: none"> <li>• Racetrack-shaped sleeve slides over worksurface to create VDT corner.</li> <li>• Creates 17<sup>3/8</sup>" wide VDT corner, 9" from worksurface corner.</li> <li>• Can be adjusted to any angle, or removed when not needed.</li> <li>• Heavy-gauge steel with felt backing to prevent scuffing.</li> <li>• 1<sup>1/4</sup>", 1<sup>3/4</sup>" and 2<sup>1/2</sup>" worksurface thicknesses.</li> <li>• 1/4" screw holes on underside for optional attachment to worksurface.</li> <li>• Available in two metallic and two soft-touch finishes.</li> </ul> | Metallic finish   | 26 <sup>3/4</sup> " | 9 <sup>1/8</sup> " | 1 <sup>1/4</sup> "-2 <sup>1/2</sup> " | 3 lbs.         |
|  |   | Soft touch finish | 26 <sup>3/4</sup> " | 9 <sup>1/8</sup> " | 1 <sup>1/4</sup> "-2 <sup>1/2</sup> " | 3 lbs.         |
| <b>Adjustable Foot Rest</b><br> | <ul style="list-style-type: none"> <li>• Self-adjusts +30°/-30°.</li> <li>• Durable, ribbed rubber platform.</li> </ul>   |                   | 17 <sup>1/8</sup> " | 12"                | 3 <sup>7/8</sup> "                    | 7 lbs. 14 ozs. |

## Order Code

|               |                           |
|---------------|---------------------------|
| Example:      | <b>OA-SLV-A-E</b>         |
| <b>OA-SLV</b> | VDT sleeve                |
| <b>A</b>      | 1 <sup>1/4</sup> " sleeve |
| <b>E</b>      | Soft grey finish          |

## Ordering Information

*Specify:*

1. Pattern number
2. Thickness (VDT sleeve only)
3. Finish

*VDT sleeve worksurface thicknesses:*  
 1<sup>1/4</sup>" (A): Equity, Morrison, Reff  
 1<sup>3/4</sup>" (B): Morrison, Reff  
 2<sup>1/2</sup>" (C): Reff

*VDT sleeve finishes:*  
 Soft Grey (E)  
 Medium Metallic Grey (J)  
 Soft Touch Light Grey (GS)  
 Soft Touch Black (BS)

## Custom Options

Custom colors available upon sample chip approval. Contact your KnollExtra representative or Customer Service for complete pricing information.

| pattern no.                   | list price |
|-------------------------------|------------|
| <b>OA-SLV(A,B,C)-(E, J)</b>   | \$175.     |
| <b>OA-SLV(A,B,C)-(GS, BS)</b> | 227.       |

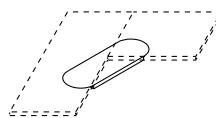
|                 |      |
|-----------------|------|
| <b>OA-FR-BK</b> | 189. |
|-----------------|------|

**Construction**

*VDT sleeve:*  
Heavy-gauge steel in painted finish.  
Felt backing protects worksurface.  
Manufactured in the United States.

*Adjustable foot rest:*  
Black rubber platform. Polished  
chrome frame.  
Manufactured in Sweden.

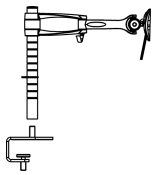
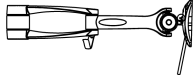
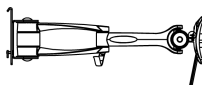
*VDT Sleeve*



# Colebrook Bosson Saunders for KnollExtra

## *Wishbone Flat Panel Monitor Support System*

### *standard arm*

| product  | description   | type  | w | d | h | wgt. |
|--|---|---|---|---|---|------|
|  <p>Wishbone Kit</p>                  | <ul style="list-style-type: none"> <li>• Easy order kit. Wishbone kit includes everything needed to mount one flat panel monitor arm to a worksurface: Standard arm, 400 mm post, O-ring, Cable management clip, Table clamp.</li> </ul>  | Wishbone kit with fast release  |   |   |   |      |
|  <p>Standard Arm Post Mount</p>       | <ul style="list-style-type: none"> <li>• Adjusts at four joints.</li> <li>• Allows user to rotate arm 360° at pole connection.</li> <li>• Allows user to tilt monitor face up and down 180° and pivot monitor left and right.</li> <li>• Center hinge provides depth/location flexibility.</li> <li>• Generous arm reach - approximately 17 inches depending on mounting option.</li> </ul> | Standard wishbone arm, post mount with fast release                       |   |   |   |      |
|  <p>Standard Arm Slatwall Mount *</p> | <ul style="list-style-type: none"> <li>• Adjusts at four joints.</li> <li>• Allows user to rotate arm 180° at slatwall.</li> <li>• Allows user to tilt monitor face up and down 180° and pivot monitor left and right.</li> <li>• Center hinge provides depth/location flexibility.</li> <li>• Generous arm reach - approximately 17 inches depending on mounting option.</li> </ul>        | Standard wishbone arm, Knoll Slatboard / Slatwall Mount with fast release |   |   |   |      |

- The Wishbone system allows for a great flexibility in the mounting and adjustment of flat panel monitors. The system is particularly proficient at mounting multiple monitors easily to tables and system furniture.
- All arm options...
  - Will mount to VESA compliant flat panel monitors
  - Will hold monitors of weights up to 22 lbs.
  - Are lightweight and durable.
  - Ships standard with fast release option (see notes below for fast release attributes).
  - Allow monitor to lie relatively flat against tool bar, Currents slatwall, or panel.

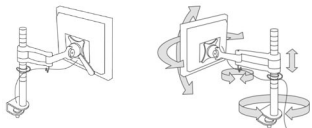
| Order Code  | Ordering Information   | Mounting Information   | * Slatwall Mount Note  |
|---|--|--|--|
| Example: <b>WSH-01-PT-SR-K-BK</b><br><b>WSH-01-PT-SR-K</b> Wishbone standard kit<br><b>BK</b> Black | <i>Specify:</i> <ol style="list-style-type: none"> <li>1. Pattern number</li> <li>2. Finish where required</li> <li>3. Mounting pattern number(s) where required.</li> </ol> <p>Kits and Currents slatwall mount arms do not require any additional mounting specification.</p> <p>Additional mounting pieces must be specified for post-mount arms and toolbar-mount arms.</p> <p><i>Finish options (when applicable):</i><br/>           Silver (SV)<br/>           Black (BK)</p> | <p><i>Screen Mounting:</i><br/>           All wishbone arms are compatible with the international VESA standard adopted by most panel manufacturers.</p> <p>Knoll and its dealers will not take the responsibility for mounting the monitor to the arm. The end user's IT department must confirm VESA mounting compliance and mount the monitor to the arm using customer's own screws.</p> | <ul style="list-style-type: none"> <li>• Works with all Knoll Slatboard and Slatwall profiles.</li> <li>• Load ratings vary across products and mounting approaches. Check Exchange for Wishbone Test Matrix.</li> <li>• Note: Orchestra Slatboard must be mounted to an architectural wall if Wishbone is to be mounted onto it.</li> </ul> |

| pattern no.              | list price |
|--------------------------|------------|
| <b>WSH-SA-K-(BK, SV)</b> | \$488.     |

|                        |      |
|------------------------|------|
| <b>WSH-SA-(BK, SV)</b> | 331. |
|------------------------|------|

|                       |      |
|-----------------------|------|
| <b>WSH-SA-MP-(SV)</b> | 444. |
|-----------------------|------|

**Cable Management:**  
Simple cable management for easy installation.



Cable Management

Adjustment

**Adjustment:**  
The Wishbone system offers a wide range of adjustment. Height adjustment is easily accomplished by lifting the arm and sliding the o-ring up and down post to the required height.

**Construction**

**Wishbone:**  
Products are manufactured in diecast and extruded aluminum and glass reinforced acetal plastic.

O-ring is made of an elasticated polymer.

Wishbone product line is patented in the United States.

**Design Awards**

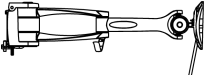

**Fast Release:**  
Allows for swift installation and removal of flat panel monitors.  
Allows user to rotate monitor face from a landscape to portrait orientation.

*Workplace 1999*- Best New Workplace Product  
*Spectrum 2000*-Award for Design Excellence  
*Neocon 2000*-Gold award in Recognition of Product Excellence.  
*Innovations Award*-Citation of Excellence Sponsors By Building  
*Malaysian Furniture Fair*-Design of the Year.

# Colebrook Bosson Saunders for KnollExtra

## *Wishbone Flat Panel Monitor Support System*

### *standard arm*

| product  | description   | type  | w | d | h | wgt. |
|--|---|---|---|---|---|------|
| Standard Arm Tool Bar Mount<br> | <ul style="list-style-type: none"> <li>Adjusts at four joints.</li> <li>Allows user to rotate arm 180° at tool bar connection.</li> <li>Allows user to tilt monitor face up and down 180° and pivot monitor left and right.</li> <li>Center hinge provides depth/location flexibility.</li> <li>Generous arm reach - approximately 17 inches depending on mounting option.</li> </ul>   | Standard wishbone arm, tool bar mount with fast release   |   |   |   |      |
| Back to Back Arm<br>            | <ul style="list-style-type: none"> <li>Mounts two flat panel monitors to one pole.</li> <li>Made up of two arms that each adjust at four joints.</li> <li>Allows user to rotate both arms 270° at pole connection.</li> <li>Allows user to tilt monitor faces up and down 180° and pivot monitor left and right.</li> <li>Enables user to position monitors side by side or back to back.</li> <li>Available in post mount version only (see notes below for ordering information)</li> </ul> | Back to back arm, post mount with fast release (includes 2 no fast release arms and a back to back bracket) |   |   |   |      |

- The Wishbone system allows for a great flexibility in the mounting and adjustment of flat panel monitors. The system is particularly proficient at mounting multiple monitors easily to tables and system furniture.
- All arm options...
  - Will mount to VESA compliant flat panel monitors
  - Will hold monitors of weights up to 22 lbs.
  - Are lightweight and durable.
  - Ships standard with fast release option (see notes below for fast release attributes).
  - Allow monitor to lie relatively flat against tool bar, Currents slatwall, or panel.

| Order Code  | Ordering Information  | Mounting Information  | * Slatwall Mount Note  |
|---|---|---|--|
| Example: <b>WSH-01-PT-SR-K-BK</b><br><b>WSH-01-PT-SR-K</b> Wishbone standard kit<br><b>BK</b> Black | <i>Specify:</i> <ol style="list-style-type: none"> <li>Pattern number</li> <li>Finish where required</li> <li>Mounting pattern number(s) where required.</li> </ol> <p>Kits and Currents slatwall mount arms do not require any additional mounting specification.</p> <p>Additional mounting pieces must be specified for post-mount arms and toolbar-mount arms.</p> <p><i>Finish options (when applicable):</i><br/>           Silver (SV)<br/>           Black (BK)</p> | <i>Screen Mounting:</i><br>All wishbone arms are compatible with the international VESA standard adopted by most panel manufacturers.<br><br>Knoll and its dealers will not take the responsibility for mounting the monitor to the arm. The end user's IT department must confirm VESA mounting compliance and mount the monitor to the arm using customer's own screws. | <ul style="list-style-type: none"> <li>Works with all Knoll Slatboard and Slatwall profiles.</li> <li>Load ratings vary across products and mounting approaches. Check Exchange for Wishbone Test Matrix.</li> <li>Note: Orchestra Slatboard must be mounted to an architectural wall if Wishbone is to be mounted onto it.</li> </ul> |



pattern no.

list price

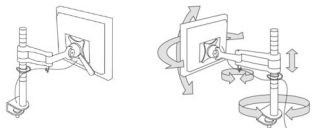
**WSH-SA-TB**

\$467.

**WSH-SA-B2B-PT-(BK, SV)**

788.

**Cable Management:**  
Simple cable management for easy installation.



Cable Management

Adjustment

**Adjustment:**  
The Wishbone system offers a wide range of adjustment. Height adjustment is easily accomplished by lifting the arm and sliding the o-ring up and down post to the required height.

**Construction**

**Wishbone:**  
Products are manufactured in diecast and extruded aluminum and glass reinforced acetal plastic.

O-ring is made of an elasticated polymer.

Wishbone product line is patented in the United States.

**Design Awards**

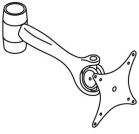
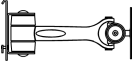

**Fast Release:**  
Allows for swift installation and removal of flat panel monitors.  
  
Allows user to rotate monitor face from a landscape to portrait orientation.

*Workplace 1999- Best New Workplace Product*  
*Spectrum 2000-Award for Design Excellence*  
*Neocon 2000-Gold award in Recognition of Product Excellence.*  
*Innovations Award-Citation of Excellence Sponsors By Building*  
*Malaysian Furniture Fair-Design of the Year.*

# Colebrook Bosson Saunders for KnollExtra

## *Wishbone Flat Panel Monitor Support System*

### *forearm*

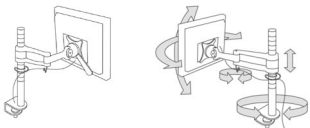
| product   | description   | type  | w | d | h | wgt. |
|---|---|---|---|---|---|------|
| Forearm Post Mount<br>       | <ul style="list-style-type: none"> <li>Moderate reach arm – Approximately 10 1/2" depending on mounting option.</li> <li>Adjusts at three joints.</li> <li>Allows user to tilt monitor face up and down 180° and pivot monitor left and right.</li> <li>Allows user to rotate arm 360° at pole connection.</li> </ul>     | Forearm, post mount with fast release feature                       |   |   |   |      |
| Forearm Slatwall Mount *<br> | <ul style="list-style-type: none"> <li>Moderate reach arm – Approximately 10 1/2" depending on mounting option.</li> <li>Adjusts at three joints.</li> <li>Allows user to tilt monitor face up and down 180° and pivot monitor left and right.</li> <li>Allows user to rotate arm 180° at slatwall.</li> </ul>            | Forearm, Knoll Slatboard / Slatwall Mount with fast release feature |   |   |   |      |
| Forearm Tool Bar Mount<br>   | <ul style="list-style-type: none"> <li>Moderate reach arm – Approximately 10 1/2" depending on mounting option.</li> <li>Adjusts at three joints.</li> <li>Allows user to tilt monitor face up and down 180° and pivot monitor left and right.</li> <li>Allows user to rotate arm 180° at tool bar connection.</li> </ul> | Forearm, tool bar mount with fast release feature                   |   |   |   |      |

| Order Code                           | Ordering Information  | Mounting Information   | * Slatwall Mount Note  |
|--------------------------------------|---|--|--|
| Example: <b>WSH-02-PT-SR-BK</b>      | <i>Specify:</i>   | <i>Screen Mounting:</i>  | <ul style="list-style-type: none"> <li>Works with all Knoll Slatboard and Slatwall profiles.</li> <li>Load ratings vary across products and mounting approaches. Check Exchange for Wishbone Test Matrix.</li> <li>Note: Orchestra Slatboard must be mounted to an architectural wall if Wishbone is to be mounted onto it.</li> </ul> |
| <b>WSH-02-PT-SR</b> Wishbone forearm | <ol style="list-style-type: none"> <li>Pattern number</li> <li>Finish where required</li> <li>Mounting pattern number(s) where required.</li> </ol>   | All wishbone arms are compatible with the international VESA standard adopted by most panel manufacturers.   |  |
| <b>BK</b> Black                      | <p>Kits and Currents slatwall mount arms do not require any additional mounting specification.</p> <p>Additional mounting pieces must be specified for post-mount arms and toolbar-mount arms.</p> <p><i>Finish options (when applicable):</i><br/>Silver (SV)<br/>Black (BK)</p> | Knoll and its dealers will not take the responsibility for mounting the monitor to the arm. The end user's IT department must confirm VESA mounting compliance and mount the monitor to the arm using customer's own screws. |  |

| pattern no.         | list price |
|---------------------|------------|
| <b>WSH-02-PT-FR</b> | \$336.     |
| <b>WSH-02-PT-SR</b> | 245.       |
| <b>WSH-02-MP-FR</b> | 450.       |
| <b>WSH-02-MP-SR</b> | 357.       |
| <b>WSH-02-TB-FR</b> | 472.       |
| <b>WSH-02-TB-SR</b> | 380.       |

Office Automation Accessories

**Cable Management:**  
Simple cable management for easy installation.



Cable Management

Adjustment

**Adjustment:**  
The Wishbone system offers a wide range of adjustment. Height adjustment is easily accomplished by lifting the arm and sliding the o-ring up and down post to the required height.

**Construction**

**Wishbone:**  
Products are manufactured in diecast and extruded aluminum and glass reinforced acetal plastic.

O-ring is made of an elasticated polymer.

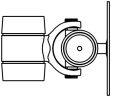
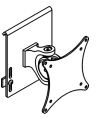

Wishbone product line is patented in the United States.

**Desing Awards**

**Fast Release:**  
Allows for swift installation and removal of flat panel monitors.  
Allows user to rotate monitor face from a landscape to portrait orientation.

*Workplace 1999*- Best New Workplace Product  
*Spectrum 2000*-Award for Design Excellence  
*Neocon 2000*-Gold award in Recognition of Product Excellence.  
*Innovations Award*-Citation of Excellence Sponsors By Building  
*Malaysian Furniture Fair*-Design of the Year.

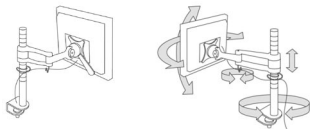
Colebrook Bosson Saunders for KnollExtra  
*Wishbone Flat Panel Monitor Support System*  
*c-arm*

| product   | description   | type   | w | d | h | wgt. |
|---|---|--|---|---|---|------|
|  <p>C-Arm Post Mount</p>       | <ul style="list-style-type: none"> <li>• Cost-effective arm alternative for use when less adjustment is required.</li> <li>• Adjusts at two joints.</li> <li>• Allows user to tilt monitor face up and down, up to 180° depending on mounting, and pivot monitor left and right.</li> </ul> | <p>C-arm, post mount with fast release feature</p> <hr/> <p>C-arm, post mount with no fast release</p>                                     |   |   |   |      |
|  <p>C-Arm Slatwall Mount *</p> | <ul style="list-style-type: none"> <li>• Cost-effective arm alternative for use when less adjustment is required.</li> <li>• Adjusts at two joints.</li> <li>• Allows user to tilt monitor face up and down, up to 180° depending on mounting, and pivot monitor left and right.</li> </ul> | <p>C-arm, Knoll Slatboard / Slatwall Mount with fast release</p> <hr/> <p>C-arm, Knoll Slatboard / Slatwall Mount with no fast release</p> |   |   |   |      |
|  <p>C-Arm Tool Bar Mount</p>  | <ul style="list-style-type: none"> <li>• Cost-effective arm alternative for use when less adjustment is required.</li> <li>• Adjusts at two joints.</li> <li>• Allows user to tilt monitor face up and down, up to 180° depending on mounting, and pivot monitor left and right.</li> </ul> | <p>C-arm, tool bar mount with fast release feature</p> <hr/> <p>C-arm, tool bar mount with no fast release</p>                             |   |   |   |      |

| Order Code  | Ordering Information   | Mounting Information   | * Slatwall Mount Note  |
|---|--|--|--|
| <p>Example: <b>WSH-03-PT-FR</b></p> <hr/> <p><b>WSH-03-PT-FR</b> C-Arm Post Mount with fast release</p> | <p><i>Specify:</i></p> <ol style="list-style-type: none"> <li>1. Pattern number</li> <li>2. Finish where required</li> <li>3. Mounting pattern number(s) where required.</li> </ol> <p>Kits and Currents slatwall mount arms do not require any additional mounting specification.</p> | <p><i>Screen Mounting:</i></p> <p>All wishbone arms are compatible with the international VESA standard adopted by most panel manufacturers.</p> <p>Knoll and its dealers will not take the responsibility for mounting the monitor to the arm. The end user's IT department must confirm VESA mounting compliance and mount the monitor to the arm using customer's own screws.</p> | <ul style="list-style-type: none"> <li>• Works with all Knoll Slatboard and Slatwall profiles.</li> <li>• Load ratings vary across products and mounting approaches. Check Exchange for Wishbone Test Matrix.</li> <li>• Note: Orchestra Slatboard must be mounted to an architectural wall if wishbone is to be mounted onto it.</li> </ul> |

| pattern no.         | list price |
|---------------------|------------|
| <b>WSH-03-PT-FR</b> | \$309.     |
| <b>WSH-03-PT-SR</b> | 217.       |
| <b>WSH-03-SW-FR</b> | 424.       |
| <b>WSH-03-SW-SR</b> | 304.       |
| <b>WSH-03-TB-FR</b> | 309.       |
| <b>WSH-03-TB-SR</b> | 217.       |

**Cable Management:**  
Simple cable management for easy installation.



Cable Management

Adjustment

**Adjustment:**  
The Wishbone system offers a wide range of adjustment. Height adjustment is easily accomplished by lifting the arm and sliding the o-ring up and down post to the required height.

**Construction**

**Wishbone:**  
Products are manufactured in diecast and extruded aluminum and glass reinforced acetal plastic.

O-ring is made of an elasticated polymer.

Wishbone product line is patented in the United States.




**Fast Release:**  
Allows for swift installation and removal of flat panel monitors.

Allows user to rotate monitor face from a landscape to portrait orientation.

# Colebrook Bosson Saunders for KnollExtra

## *Wishbone Flat Panel Monitor Support System*

### *posts and tool bar*

| product  | description  | type           | dia. | l        | h |
|--|--|----------------|------|----------|---|
| Post with O-Ring and Cable Management Clip<br><br><i>300 mm shown</i> | <ul style="list-style-type: none"> <li>• Post with grooves in conjunction with o-ring allows for height adjustment of arms and tool bars.</li> <li>• O-ring is moved up and down pole to lock in height adjustment</li> <li>• Cable management clip provides simple cable management for easy installation.</li> </ul>                       | 200 mm post    | 1/2" | 7 7/8"   |   |
|  |  | 300 mm post    | 1/2" | 11 7/8"  |   |
|  |  | 400 mm post    | 1/2" | 15 7/8"  |   |
|  |  |                |      |          |   |
| Extension Posts<br><br><i>200 mm shown</i>                            | <ul style="list-style-type: none"> <li>• Screws into post.</li> <li>• Allows for additional height adjustment.</li> </ul>  | 200 mm         | 1/2" | 7 15/16" |   |
|  |  | 300 mm         | 1/2" | 11 7/8"  |   |
|  |  | 400 mm         | 1/2" | 15 7/8"  |   |
|  |  |                |      |          |   |
| Tool Bars<br>   | <ul style="list-style-type: none"> <li>• Sturdy construction tool bars can support the weight of multiple arms and monitors.</li> <li>• Note that posts connect to tool bars only at the end of the bars. Review of table/desk support locations is necessary to assure that the post clamps will mount at the required location.</li> </ul> | Tool bar – 36" |      |          |   |
|  |  | Tool bar – 48" |      |          |   |
|  |  | Tool bar – 60" |      |          |   |
|  |  |                |      |          |   |

#### Order Code

|                |                        |
|----------------|------------------------|
| Example:       | <b>WSH-XP-300-SV</b>   |
| <b>WSH-XP-</b> | Wishbone extension 300 |
| <b>300</b>     | mm.                    |
| <b>SV</b>      | Silver                 |

#### Ordering Information

*Specify:*

1. Pattern number
2. Finish where required
3. Mounting pattern number(s) where required.

Kits and Currents slatwall mount arms do not require any additional mounting specification.

*Finish options (when applicable):*  
 Black (BK)  
 Silver (SV)

#### Mounting Information

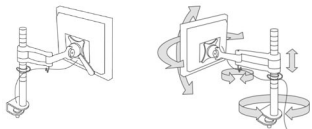
*Screen Mounting:*  
 All wishbone arms are compatible with the international VESA standard adopted by most panel manufacturers.

Knoll and its dealers will not take the responsibility for mounting the monitor to the arm. The end user's IT department must confirm VESA mounting compliance and mount the monitor to the arm using customer's own screws.

| pattern no.                      | list price |
|----------------------------------|------------|
| <b>WSH-200-PT-CLP-O-(BK, SV)</b> | \$96.      |
| <b>WSH-300-PT-CLP-O-(BK, SV)</b> | 102.       |
| <b>WSH-PT-CLP-O-(BK, SV)</b>     | 107.       |
| <hr/>                            |            |
| <b>WSH-XP-200-(BK, SV)</b>       | 97.        |
| <b>WSH-XP-300-(BK, SV)</b>       | 103.       |
| <b>WSH-XP-CLP-O-(BK, SV)</b>     | 108.       |
| <hr/>                            |            |
| <b>WSH-PTB-36</b>                | 282.       |
| <b>WSH-PTB-48</b>                | 305.       |
| <b>WSH-PTB-60</b>                | 328.       |

Office Automation Accessories

**Cable Management:**  
Simple cable management for easy installation.



Cable Management

Adjustment

**Adjustment:**  
The Wishbone system offers a wide range of adjustment. Height adjustment is easily accomplished by lifting the arm and sliding the o-ring up and down post to the required height.

**Construction**

**Wishbone:**  
Products are manufactured in diecast and extruded aluminum and glass reinforced acetal plastic.

O-ring is made of an elasticated polymer.

Wishbone product line is patented in the United States.

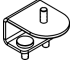


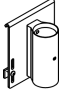



**Fast Release:**  
Allows for swift installation and removal of flat panel monitors.

Allows user to rotate monitor face from a landscape to portrait orientation.

# Colebrook Bosson Saunders for KnollExtra

## *Wishbone Flat Panel Monitor Support System*

### *mounting brackets*

| product  | description   | w                 | d                | h                 | diam |
|--|---|-------------------|------------------|-------------------|------|
|  Table Clamp                          | <ul style="list-style-type: none"> <li>Mounts post to virtually any worksurface. between <math>\frac{3}{4}</math>" and <math>1\frac{1}{2}</math>" thick.</li> <li>Requires 2" clear space from edge of underside of worksurface for proper mounting.</li> </ul>   | $3\frac{1}{8}$ "  | $4\frac{1}{8}$ " | $2\frac{1}{4}$ "  |      |
|  Table Clamp, Top Mount               | <ul style="list-style-type: none"> <li>Two piece clamp.</li> <li>Allows the installation of the table clamp on worksurfaces in panel systems that do not have access room between the worksurface and the panel.</li> <li>Ideal for retrofitting.</li> <li>Mounts post to virtually any worksurface. between <math>\frac{3}{4}</math>" and <math>1\frac{1}{2}</math>" thick.</li> <li>Requires 2" clear space from edge of underside of worksurface for proper mounting.</li> </ul> | $3\frac{1}{8}$ "  | $4\frac{1}{8}$ " | 3"                |      |
|  Currents Crown Flower Pot Bracket    | <ul style="list-style-type: none"> <li>Mounts a post to the Currents crown mount (must specify post separately).</li> <li>Allows for easy height adjustment.</li> </ul>   | $2\frac{3}{4}$ "  | 5"               | $4\frac{1}{4}$ "  |      |
|  Knoll Slatwall Flower Pot Bracket * | <ul style="list-style-type: none"> <li>Mounts a post to a slatwall (must specify post separately).</li> <li>Allows for easy height adjustment.</li> <li>Mount only 1 monitor per 3' of slatwall.</li> </ul>   | $4\frac{1}{4}$ "  | $2\frac{1}{2}$ " | 5"                |      |
|  Fixed Table Mount                  | <ul style="list-style-type: none"> <li>Mounts Wishbone post to worksurface.</li> <li>Mounts using field drilled hole.</li> </ul>  |                   |                  | $\frac{3}{16}$ "  | 3"   |
|  Spare Fast Release Monitor Plate   | <ul style="list-style-type: none"> <li>Male portion of fast release bracket.</li> <li>Allows for speedy replacement of malfunctioning monitors.</li> <li>For use with fast release arms only.</li> </ul>  | 6"                | $9\frac{3}{8}$ " | $\frac{1}{2}$ "   |      |
|  Toolbar Bracket                    | <ul style="list-style-type: none"> <li>Bracket to mount Wishbone arms (Forearm, Wishbone standard arm, C-arm, Rotation) onto CBS toolbar</li> </ul>   | $2\frac{3}{16}$ " | $2\frac{3}{4}$ " | $3\frac{9}{16}$ " |      |

| Order Code  | Ordering Information  | Mounting Information   | * Slatwall Mounting Note   |
|---|---|--|--|
| Example: <b>WSH-CLMP-SV</b><br><b>WSH-</b> Table clamp<br><b>CLMP</b><br><b>SV</b> Silver | <i>Specify:</i> <ol style="list-style-type: none"> <li>Pattern number</li> <li>Finish where required</li> <li>Mounting pattern number(s) where required.</li> </ol> <p>Kits and Currents slatwall mount arms do not require any additional mounting specification.</p> <p><i>Finish options (when required):</i><br/>           Black (BK)<br/>           Silver (SV)</p> | <p><i>Screen Mounting:</i><br/>           All wishbone arms are compatible with the international VESA standard adopted by most panel manufacturers.</p> <p>Knoll and its dealers will not take the responsibility for mounting the monitor to the arm. The end user's IT department must confirm VESA mounting compliance and mount the monitor to the arm using customer's own screws.</p> | <ul style="list-style-type: none"> <li>Works with all Knoll Slatboard and Slatwall profiles.</li> <li>Load ratings vary across products and mounting approaches. Check Exchange for Wishbone Test Matrix.</li> <li>Note: Orchestra Slatboard must be mounted to an architectural wall if wishbone is to be mounted onto it.</li> </ul> |



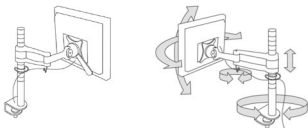
| pattern no.                 | list price |
|-----------------------------|------------|
| <b>WSH-CLMP-(BK, SV)</b>    | \$64.      |
| <b>WSH-CLMP-TM-(BK, SV)</b> | 78.        |
| <b>WSH-FPB-CCM</b>          | 173.       |
| <b>WSH-FPB-CSL</b>          | 111.       |
| <b>WSH-PTM-75-(BK, SV)</b>  | 31.        |
| <b>WSH-PMFR-BK</b>          | 82.        |
| <b>WSH-TBP-BRKT</b>         | 125.       |

Office Automation Accessories

**Construction**

*Cable Management:*

Simple cable management for easy installation.



Cable Management

Adjustment

*Wishbone:*

Products are manufactured in diecast and extruded aluminum and glass reinforced acetal plastic.

*Fast Release:*

Allows for swift installation and removal of flat panel monitors.

Allows user to rotate monitor face from a landscape to portrait orientation.

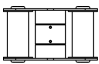


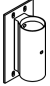
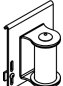
*Adjustment:*

The Wishbone system offers a wide range of adjustment. Height adjustment is easily accomplished by lifting the arm and sliding the o-ring up and down post to the required height.

# Colebrook Bosson Saunders for KnollExtra

## *Wishbone Flat Panel Monitor Support System*

### *mounting brackets*

| product  | description  | w                               | d                               | h                               | diam                            |
|--|--|---------------------------------|---------------------------------|---------------------------------|---------------------------------|
| Back to Back Bracket<br>              | <ul style="list-style-type: none"> <li>Use with post and two arms to create back to back set up.</li> </ul>  | 6 <sup>5</sup> / <sub>8</sub> " | 2 <sup>3</sup> / <sub>4</sub> " | 3 <sup>5</sup> / <sub>8</sub> " |                                 |
| Grommet Mount<br>                     | <ul style="list-style-type: none"> <li>Use with existing grommets on Morrison, Reff, Propeller desks.</li> <li>Can be retrofitted into existing worksurfaces that do not have a grommet hole. In that case, drill a 3<sup>1</sup>/<sub>4</sub>" diameter hole into surface.</li> </ul> |                                 |                                 | 1/2"                            | 4 <sup>1</sup> / <sub>4</sub> " |
| Grommet Mount for Reference<br>       | <ul style="list-style-type: none"> <li>To be used with Reference desks only.</li> </ul>  |                                 |                                 | 1/2"                            | 4 <sup>1</sup> / <sub>4</sub> " |
| Wall Mount flower pot bracket<br>     | <ul style="list-style-type: none"> <li>Mounts post and arm to wall.</li> </ul>   | 2 <sup>3</sup> / <sub>4</sub> " | 2 <sup>1</sup> / <sub>4</sub> " | 5 <sup>3</sup> / <sub>4</sub> " |                                 |
| Knoll slatwall arm mount bracket<br> | <ul style="list-style-type: none"> <li>Mounts a post to a slatwall (must specify post separately)</li> <li>Allows for easy height adjustment</li> </ul>  | 4 <sup>1</sup> / <sub>4</sub> " | 2 <sup>5</sup> / <sub>8</sub> " | 5 <sup>3</sup> / <sub>8</sub> " |                                 |

| Order Code  | Ordering Information  | Mounting Information   | * Slatwall Mounting Note   |
|---|---|--|--|
| Example: <b>WSH-CLMP-SV</b><br><b>WSH-</b> Table clamp<br><b>CLMP</b><br><b>SV</b> Silver | <i>Specify:</i> <ol style="list-style-type: none"> <li>Pattern number</li> <li>Finish where required</li> <li>Mounting pattern number(s) where required.</li> </ol> <p>Kits and Currents slatwall mount arms do not require any additional mounting specification.</p> <p><i>Finish options (when required):</i><br/>           Black (BK)<br/>           Silver (SV)</p> | <p><i>Screen Mounting:</i><br/>           All wishbone arms are compatible with the international VESA standard adopted by most panel manufacturers.</p> <p>Knoll and its dealers will not take the responsibility for mounting the monitor to the arm. The end user's IT department must confirm VESA mounting compliance and mount the monitor to the arm using customer's own screws.</p> | <ul style="list-style-type: none"> <li>Works with all Knoll Slatboard and Slatwall profiles.</li> <li>Load ratings vary across products and mounting approaches. Check Exchange for Wishbone Test Matrix.</li> <li>Note: Orchestra Slatboard must be mounted to an architectural wall if wishbone is to be mounted onto it.</li> </ul> |

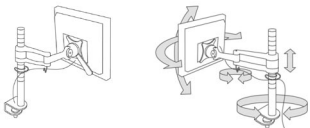
| pattern no.                | list price |
|----------------------------|------------|
| <b>WSH-B2B-(BK, SV)</b>    | \$195.     |
| <b>WSH-GRMT-(BK, SV)</b>   | 103.       |
| <b>WSH-GRMT-R-(BK, SV)</b> | 103.       |
| <b>WSH-FPB-WM</b>          | 111.       |
| <b>WSH-MP-SV</b>           | 111.       |

Office Automation  
Accessories

**Construction**

*Cable Management:*

Simple cable management for easy installation.



Cable Management

Adjustment

*Wishbone:*

Products are manufactured in diecast and extruded aluminum and glass reinforced acetal plastic.

*Fast Release:*

Allows for swift installation and removal of flat panel monitors.


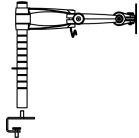
Allows user to rotate monitor face from a landscape to portrait orientation.

*Adjustment:*

The Wishbone system offers a wide range of adjustment. Height adjustment is easily accomplished by lifting the arm and sliding the o-ring up and down post to the required height.

# Colebrook Bosson Saunders for KnollExtra

## *Wishbone Rotation Flat Panel Monitor Support*

| product   | description  | type   | app      | w  | d   | h      | wt.          |
|---|--|--|----------|----|-----|--------|--------------|
| Rotation<br>     | <ul style="list-style-type: none"> <li>Two movement joints allow for maximum adjustability.</li> <li>A warp spring clutch at the elbow joint allows the user fingertip height adjustment in addition to the movement inherent in the standard Wishbone range.</li> <li>The movement joint at the screen allows for 210 degrees of vertical and 90 degrees of horizontal adjustment.</li> <li>The center (elbow) joint provides 300 degrees of horizontal and 210 degrees of vertical adjustment.</li> <li>Available in standard release only.</li> </ul> | Rotation, standard release arm                     | Arm only | 2" | 18" | 3 1/2" | 3 lbs.       |
| Rotation kit<br> | <ul style="list-style-type: none"> <li>Easy to order kit. Includes everything needed to attach one flat panel monitor to a worksurface: Rotation arm, post, o-ring, cable management clip and table clamp.</li> </ul>  | Rotation kit with standard release.<br>300 mm post |          | 3" | 4"  | 14"    | 2 lbs. 4 oz. |
|   |  | Rotation kit with standard release.<br>400 mm post |          | 3" | 4"  | 18"    | 2 lbs. 8 oz. |

| Order Code  | Ordering Information  | Mounting Information  | Construction  |
|---|---|---|---|
| Example: <b>WSH-ROT-400-PT-SR-K-SV</b><br><hr/> <b>WSH-ROT</b> Wishbone rotation<br><hr/> <b>400-PT</b> 400mm post<br><hr/> <b>SR</b> Standard release<br><hr/> <b>K</b> kit - includes clamp mount<br><hr/> <b>SV</b> Silver | <i>Specify:</i> <ol style="list-style-type: none"> <li>Pattern number</li> <li>Finish when required</li> <li>Mounting option pattern number(s) when required</li> </ol> Kits do not require mounting option.<br><br>Additional mounting pieces required for toolbar, back-to-back, slatwall, fixed table and grommet mounts.<br><br><i>Finish options:</i><br>Black (BK)<br>Silver (SV) | All Wishbone arms are compatible with the International VESA Standards adopted by most flat panel manufacturers.<br><br>Knoll and its dealers will not accept responsibility for mounting the flat panel to the arm. The end user's IT department must confirm VESA mounting compliance and mount the flat panel using the customer's own screws. | Products are constructed of die cast and extruded aluminum and glass reinforced acetal plastic. O ring is made of elastic polymer.<br><br>Wishbone line is patented in the United States. |

| pattern no.                   | list   |
|-------------------------------|--------|
| <b>WSH-ROT-PT-SR-(BK, SV)</b> | \$587. |

---

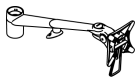
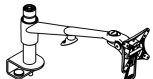
|                                     |      |
|-------------------------------------|------|
| <b>WSH-ROT-300-PT-SR-K-(BK, SV)</b> | 717. |
|-------------------------------------|------|

|                                     |      |
|-------------------------------------|------|
| <b>WSH-ROT-400-PT-SR-K-(BK, SV)</b> | 743. |
|-------------------------------------|------|

---

# Colebrook Bosson Saunders for KnollExtra

## Zorro Flat Panel Monitor Support

| product  | description   | type  | app      | w  | d   | h   | wgt.         |
|--|---|---|----------|----|-----|-----|--------------|
|  Zorro          | <ul style="list-style-type: none"> <li>• Ideal for single users in highly visible areas or private office, Zorro's simple yet innovative design allows for full movement of the screen.</li> <li>• Carries up to 22 lbs in weight.</li> <li>• The movement joint at the screen allows for 210 degrees of vertical and 90 degrees of horizontal adjustment.</li> <li>• The elbow allows for 360 degrees of horizontal movement.</li> </ul> | Plastic Fast Release Arm                        | Arm only | 2" | 18" | 10" | 3 lbs.       |
|  Zorro post kit | <ul style="list-style-type: none"> <li>• Easy to order kit. Includes everything needed to attach one flat panel monitor to a worksurface: Zorro arm, post and table clamp.</li> <li>• Post height is 200mm.</li> </ul>  | Includes 200mm post, clamp and cable management |          | 3" | 4"  | 10" | 2 lbs.       |
|  | <ul style="list-style-type: none"> <li>• Easy to order kit. Includes everything needed to attach one flat panel monitor to a worksurface: Zorro arm, post and table clamp.</li> <li>• Post height is 300mm.</li> </ul>  | Includes 300mm post, clamp and cable management |          | 3" | 4"  | 14" | 2 lbs. 4 oz. |
|  | <ul style="list-style-type: none"> <li>• Easy to order kit. Includes everything needed to attach one flat panel monitor to a worksurface: Zorro arm, post and table clamp.</li> <li>• Post height is 400mm.</li> </ul>  | Includes 400mm post, clamp and cable management |          | 3" | 4"  | 18" | 2 lbs. 8 oz. |

| Order Code   | Ordering Information   | Mounting Information   | Construction   |
|--|--|--|--|
| Example: <b>WSH-ZOR-SA-200-PT-K-BK</b><br><b>WSH-ZOR-SA</b> Zorro arm with quick release<br><b>200-PT</b> 200mm post<br><b>K</b> Kit - includes clamp mount<br><b>BK</b> Black | <i>Specify:</i> <ol style="list-style-type: none"> <li>1. Pattern number</li> <li>2. Finish option when required</li> <li>3. Mounting option pattern number when required</li> </ol> <p>Zorro is designed to work primarily for with a single monitor on a post. Mounting options other than table clamp include; grommet mount and through-the-desk mount. In the case of optional mounting, the arm, post and mounting option need to be specified separately.</p> | <p>All Wishbone arms are compatible with the International VESA Standards adopted by most flat panel manufacturers.</p> <p>Knoll and its dealers will not accept responsibility for mounting the flat panel to the arm. The end user's IT department must confirm VESA mounting compliance and mount the flat panel using the customer's own screws.</p> | <p>Products are constructed of die cast and extruded aluminum and glass reinforced acetal plastic. O ring is made of elastic polymer.</p> <p>Wishbone line is patented in the United States.</p> |

| pattern no.                   | list   |
|-------------------------------|--------|
| <b>WSH-ZOR-SA-PT-(BK, SV)</b> | \$326. |

---

|                                     |      |
|-------------------------------------|------|
| <b>WSH-ZOR-SA-200-PT-K-(BK, SV)</b> | 462. |
|-------------------------------------|------|

---

|                                     |      |
|-------------------------------------|------|
| <b>WSH-ZOR-SA-300-PT-K-(BK, SV)</b> | 467. |
|-------------------------------------|------|

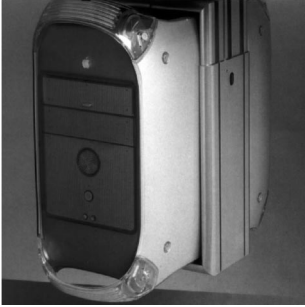
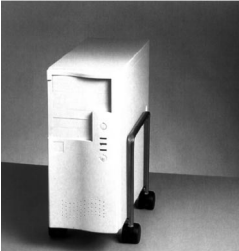
---

|                                     |      |
|-------------------------------------|------|
| <b>WSH-ZOR-SA-400-PT-K-(BK, SV)</b> | 488. |
|-------------------------------------|------|

---

# Worksurface Support

## CPU Holders

| product  | description  | type  | w      | d       | h      |
|--|--|---|--------|---------|--------|
| Adjustable Metal CPU Clamp<br>      | <ul style="list-style-type: none"> <li>Adjusts horizontally and vertically to fit virtually every CPU.</li> <li>Mounts vertically or horizontally.</li> <li>Rigid metal construction.</li> <li>Rubber bumpers holds CPU securely in place.</li> <li>Easy to install and remove.</li> <li>Mounts directly to underside of worksurface.</li> <li>Holds CPU fixed to one spot (for a sliding and rotating option specify track separately).</li> <li>Color - silver</li> <li>Maximum weight capacity = 55 lbs.</li> </ul> | Large size - Holds CPUs as big as 22" x 9 1/4" and as small as 12" x 5 1/2" | varies | 5 1/2"  | varies |
|  |  | Small size - Holds CPUs as big as 18" x 5 1/2" and as small as 10" x 3 1/4" | varies | 5 1/2"  | varies |
| Optional Track   | <ul style="list-style-type: none"> <li>Mounts to underside of worksurface.</li> <li>Allows unit to slide forward from under the desk.</li> <li>Allows unit to rotate 360° for cable access.</li> <li>Track has stop. Cannot use lock when order track.</li> </ul>  | Optional track for CPU clamps   | 4 1/3" | 21 1/4" |        |
| Optional Lock  | <ul style="list-style-type: none"> <li>Offers theft deterrence for fixed mounted adjustable metal CPU clamp.</li> <li>Not for use with optional track mount.</li> </ul>  | For use with large size metal CPU clamp                                     |        |         |        |
|  |  | For use with small size metal CPU clamp                                     |        |         |        |
| Adjustable Mobile CPU Trolley<br> | <ul style="list-style-type: none"> <li>Adjusts to hold CPUs as wide as 9 3/8" and as narrow as 4".</li> <li>Holds CPUs at least 10 1/2" deep.</li> <li>Made of sturdy steel tubing.</li> <li>Includes four robust casters.</li> <li>Maximum weight capacity = 55 lbs.</li> </ul>   |   | varies | 10.23"  | 11.8"  |

### Order Code

Example: **CLAM-CPU-02**

**CLAM-T**

**CLAM-CPU-02** Large Clamp

**CLAM-T** Slide and rotate track

### Ordering Information

Specify:

1. Pattern number
2. Special track or lock if required



| pattern no.        | list price |
|--------------------|------------|
| <b>CLAM-CPU-02</b> | \$294.     |
| <b>CLAM-CPU-01</b> | 294.       |
| <b>CLAM-T</b>      | 116.       |
| <b>CLAM-L-02</b>   | 116.       |
| <b>CLAM-L-01</b>   | 116.       |
| <b>CBS-MBL-CPU</b> | 224.       |

Office Automation  
Accessories

**Construction**

*Clamp:*

- Painted extruded aluminum.

*Jaw:*

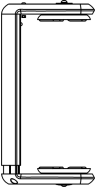
- Aluminum extrusion and die cast aluminum.

*Adjustable Mobile Trolley:*

- Epoxy polyester-coated tubular steel.

# Worksurface Support

## CPU Holders

| product  | description   | type   | w | d | h |
|--|---|--|---|---|---|
| Jaw, CPU holder<br> | <ul style="list-style-type: none"> <li>• Takes the CPU off the floor away from potential damage from dust, feet and the vacuum cleaner.</li> <li>• Enables a CPU to float below the desk.</li> <li>• Allows almost any size CPU to be fitted speedily and effortlessly.</li> <li>• Holds up to 55 lbs.</li> <li>• Includes rotate bracket.</li> </ul> | Min. CPU size: 11" x 3.5"<br>Max. CPU size: 19.7" x 8.8" |   |   |   |

### Order Code

Example: **CLAM-CPU-02**

**CLAM-T**

**CLAM-CPU-02** Large Clamp

**CLAM-T** Slide and rotate track

### Ordering Information

*Specify:*

1. Pattern number
2. Special track or lock if required

pattern no.

list price

---

**CBS-JAW-CPU-R**\$361.

---

**Construction**

---

*Clamp:*

- Painted extruded aluminum.

*Jaw:*


- Aluminum extrusion and die cast aluminum.


*Adjustable Mobile Trolley:*

- Epoxy polyester-coated tubular steel.

# Worksurface Support

## Adjustable CPU Holders

| product   | description   | w, min | w, max | d, min | d, max | h, min | h, max | wgt.    |
|---|---|--------|--------|--------|--------|--------|--------|---------|
| Adjustable vertical metal CPU holder<br> | <ul style="list-style-type: none"> <li>• Adjusts to hold equipment 6" to 10" wide by 14" to 24" high</li> <li>• Hangs vertically from worksurface to maximize knee space.</li> <li>• Slides on track under worksurface for easy CPU access.</li> <li>• Ventilation holes on sides.</li> <li>• Has a weight capacity of 60 pounds.</li> <li>• Mounts on virtually any worksurface.</li> <li>• Swivel is 360°.</li> <li>• Track length is 7¾".</li> </ul> | 7"     | 11"    | 18"    | 18"    | 15"    | 25"    | 24 lbs. |

|  |  |    |     |     |     |     |     |         |
|--|--|----|-----|-----|-----|-----|-----|---------|
| Adjustable vertical sling CPU holder<br> | <ul style="list-style-type: none"> <li>• Adjusts to hold equipment 6" to 10" wide by 14" to 24" high.</li> <li>• Sling made of woven vinyl coated polyester for flexibility and ventilation.</li> <li>• Hangs vertically from worksurface to maximize knee space under surface.</li> <li>• Slides on track under worksurface for easy CPU access.</li> <li>• Has a weight capacity of 60 pounds.</li> <li>• Swivel is 360°.</li> <li>• Track length is 7¾".</li> </ul> | 7" | 11" | 18" | 18" | 15" | 25" | 13 lbs. |
|--|--|----|-----|-----|-----|-----|-----|---------|

| Order Code                        | Ordering Information | Installation Notes  | Construction  |
|-----------------------------------|----------------------|---|---|
| Example: <b>OA-CPU-SLNG-V</b>     | <i>Specify:</i>      | CPU holders come standard with a 17¾" long track. They mount on work surfaces 18½" or deeper. | <i>Metal CPU holder:</i><br>Rigid 16-gauge painted steel construction. Black paint finish. Black plastic pull.              |
| <b>OA-CPU</b> CPU holder          | 1. Pattern number    |   |   |
| <b>SLNG</b> Sling style           |                      |   |   |
| <b>V</b> Vertical mounting option |                      |   |   |
|                                   |                      |   | <i>Sling CPU holder:</i><br>Black painted steel mounting mechanism. Woven vinyl coated polyester sling. Black plastic pull. |

pattern no.

list price

---

**OA-CPU-MTL-V**

\$463.

---

**OA-CPU-SLNG-V**

346.

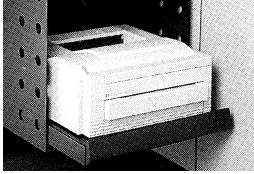
---

**Custom Options**

Longer and shorter track lengths are available. Contact your KnollExtra representative or Customer Service for pricing information.

# Worksurface Support

## Equipment Storage

| product   | description   | type                        | w                                | d                                | h                                | wgt.    |
|---|---|-----------------------------|----------------------------------|----------------------------------|----------------------------------|---------|
| Printer/Fax Drawer<br> | <ul style="list-style-type: none"> <li>Stores equipment under worksurface, freeing space.</li> <li>Accommodates most printers and fax machines.</li> <li>Full extension drawer for easy equipment access.</li> <li>Ventilation holes on sides.</li> <li>Black painted steel.</li> <li>Mounts on virtually any wood worksurface.</li> <li>Weight capacity 135 lbs.</li> <li>Includes four type AB pan head 1/4-14 x 1 screws.</li> </ul> | Narrow (wt. limit 135 lbs.) | 16 <sup>3</sup> / <sub>8</sub> " | 20 <sup>3</sup> / <sub>8</sub> " | 16 <sup>5</sup> / <sub>8</sub> " | 32 lbs. |
|   |   | Wide (wt. limit 135 lbs.)   | 20 <sup>3</sup> / <sub>8</sub> " | 20 <sup>3</sup> / <sub>8</sub> " | 16 <sup>5</sup> / <sub>8</sub> " | 35 lbs. |

| Order Code  | Ordering Information   | Application Notes | Custom Options                   |   |   |                 |                                  |     |                                  |                 |                                  |     |                                  |   |   |
|---|--|-------------------|----------------------------------|---|---|-----------------|----------------------------------|-----|----------------------------------|-----------------|----------------------------------|-----|----------------------------------|---|---|
| Example: <b>OA-PFD-N</b><br><b>OA-PFD-N</b> Narrow printer/fax drawer | <i>Specify:</i><br>1. Pattern number<br><br><i>Equipment note:</i><br>Each office equipment drawer is designed to accommodate the vast majority of products currently on the market. Specific interior dimensions:<br><br><table> <tr> <td></td> <td>w</td> <td>d</td> <td>h</td> </tr> <tr> <td><b>OA-PFD-N</b></td> <td>16<sup>1</sup>/<sub>8</sub>"</td> <td>20"</td> <td>12<sup>7</sup>/<sub>8</sub>"</td> </tr> <tr> <td><b>OA-PFD-W</b></td> <td>20<sup>1</sup>/<sub>8</sub>"</td> <td>20"</td> <td>12<sup>7</sup>/<sub>8</sub>"</td> </tr> </table> |                   | w                                | d | h | <b>OA-PFD-N</b> | 16 <sup>1</sup> / <sub>8</sub> " | 20" | 12 <sup>7</sup> / <sub>8</sub> " | <b>OA-PFD-W</b> | 20 <sup>1</sup> / <sub>8</sub> " | 20" | 12 <sup>7</sup> / <sub>8</sub> " | <i>Printer/fax drawer:</i><br>Mounts on virtually any wood worksurface. Wide head key lock fasteners ensure stability. Mounts on 24" or deeper worksurface, with more than 3" wide clearance space in rear. For panel-flush applications, there is a 2 <sup>1</sup> / <sub>8</sub> " wide, 1/4" high bracket clearance on either side. For wider brackets, note that drawer worksurface connections are located 3 <sup>1</sup> / <sub>2</sub> " and 12" from front of drawer. For thicker brackets, use spacers when installing drawer. | Other widths and depths available. Minimum order of 25 units per line item. Contact your KnollExtra representative or Customer Service for pricing information. |
|   | w  | d                 | h                                |   |   |                 |                                  |     |                                  |                 |                                  |     |                                  |   |   |
| <b>OA-PFD-N</b>   | 16 <sup>1</sup> / <sub>8</sub> "   | 20"               | 12 <sup>7</sup> / <sub>8</sub> " |   |   |                 |                                  |     |                                  |                 |                                  |     |                                  |   |   |
| <b>OA-PFD-W</b>   | 20 <sup>1</sup> / <sub>8</sub> "   | 20"               | 12 <sup>7</sup> / <sub>8</sub> " |   |   |                 |                                  |     |                                  |                 |                                  |     |                                  |   |   |

| pattern no.     | list price |
|-----------------|------------|
| <b>OA-PFD-N</b> | \$517.     |
| <b>OA-PFD-W</b> | 533.       |

**Construction**

Rigid 16-gauge painted steel constructed. 2 1/4" high full width pull in black finish.


Accuride progressive metal slides on drawer. Rubber mat and 3/4" high rear metal lip prevent sliding. Perforated holes on side for ventilation.

All parts painted black.

Manufactured in the United States.

# Laptop Supports

## *Lapjack Laptop Stands*

| product  | description   | accommodates  |
|--|---|---|
| Lapjack<br> | <ul style="list-style-type: none"> <li>• Lapjack is a portable, aluminum, ergonomic, support for laptop computers.</li> <li>• Incorporating copy holder and cable management.</li> <li>• Packs flat and can be slipped into a bag along with a laptop and papers.</li> <li>• Available in aluminum only.</li> </ul> | Maximum recommended laptop size:<br>w14.5" x d11" x h2" |

| Order Code   | Ordering Information                 | Construction | Design Awards  |
|--|--------------------------------------|--------------|--|
| Example: <b>CBS-LJ</b><br><b>CBS-LJ</b> Lapjack Laptop Stand | <i>Specify:</i><br>1. Pattern number |              | <i>Lapjack:</i><br>Best of NeoCon 2005, Gold Award<br>Ergonomic Excellence Award, 2005 |



pattern number

list




---

**CBS-LJ**

\$225.

---

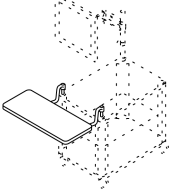
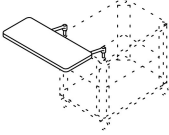

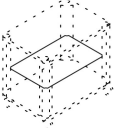
# Bebop Carts

| type  | shelves | configuration | width | depth | height |
|---|---------|---------------|-------|-------|--------|
| Open<br>   | Ice     | High          | 25"   | 17"   | 29"    |
|   |         | Low           | 25"   | 17"   | 21"    |
|   |         | Medium        | 25"   | 17"   | 23"    |
|   | Snow    | High          | 25"   | 17"   | 29"    |
|   |         | Low           | 25"   | 17"   | 21"    |
|   |         | Medium        | 25"   | 17"   | 23"    |
| Panels<br> | Ice     | High          | 25"   | 17"   | 29"    |
|   |         | Low           | 25"   | 17"   | 21"    |
|   |         | Medium        | 25"   | 17"   | 23"    |
|   | Snow    | High          | 25"   | 17"   | 29"    |
|   |         | Low           | 25"   | 17"   | 21"    |
|   |         | Medium        | 25"   | 17"   | 23"    |
| Doors<br> | Ice     | Low           | 25"   | 17"   | 21"    |
|   |         | Medium        | 25"   | 17"   | 23"    |
|   | Snow    | Low           | 25"   | 17"   | 21"    |
|   |         | Medium        | 25"   | 17"   | 23"    |

| Order Code  | Ordering Information                                  | Custom Option   |
|---|---|---|
| <i>Example:</i> <b>BB-23-3PL-SN8-PW</b><br><b>BB-SH</b> | <i>Specify:</i>                                       | Customers can use material for panels of 1/8" thickness, including Imago.<br><br>Please contact your KnollExtra or Customer Service Representative for pricing. |
| <b>BB</b> Bebop   | <i>Hgt:</i><br>21    Low                              |   |
| <b>23</b> Medium  | 23    Medium  |   |
| <b>3PL</b> Three panels                                 | 29    High  |   |
| <b>SN8</b> Snow top & bottom                            | <i>Conf:</i><br>NOP    Open                           |   |
| <b>PW</b> Pulsar white panels                           | 3PL    Three panels with<br>the width side open       |   |
| <b>BB-SH</b> Shelf                                      | 3PD    Three panels and a door                        |   |
|   | <i>Color:</i><br>CE8    Ice                           |   |
|   | SN8    Snow   |   |
|   | <i>Side panels (if applicable):</i><br><i>Grade A</i> |   |
|   | VW    Vapor White                                     |   |
|   | JB    Jet Black                                       |   |
|   | GC    Grey Cloud                                      |   |
|   | SK    Sky Blue  |   |
|   | <i>Grade B</i>  |   |
|   | PW    Pulsar White                                    |   |
|   | BH    Black Hole                                      |   |
|   | CL    Clear   |   |
|   | SM    Smoke   |   |
|   | SE    Sea   |   |
|   | GL    Green Light                                     |   |

| pattern no.          | No Panels | Grade A<br>Side Panels | Grade B<br>Side Panels |
|----------------------|-----------|------------------------|------------------------|
| <b>BB-29-NOP-CE8</b> | \$822.    |                        |                        |
| <b>BB-21-NOP-CE8</b> | 764.      |                        |                        |
| <b>BB-23-NOP-CE8</b> | 788.      |                        |                        |
| <b>BB-29-NOP-SN8</b> | 887.      |                        |                        |
| <b>BB-21-NOP-SN8</b> | 828.      |                        |                        |
| <b>BB-23-NOP-SN8</b> | 852.      |                        |                        |
| <b>BB-29-3PL-CE8</b> |           | 958.                   | 1,035.                 |
| <b>BB-21-3PL-CE8</b> |           | 858.                   | 934.                   |
| <b>BB-23-3PL-CE8</b> |           | 887.                   | 976.                   |
| <b>BB-29-3PL-SN8</b> |           | 1,023.                 | 1,098.                 |
| <b>BB-21-3PL-SN8</b> |           | 923.                   | 999.                   |
| <b>BB-23-3PL-SN8</b> |           | 952.                   | 1,005.                 |
| <b>BB-21-3PD-CE8</b> |           |                        | 1,287.                 |
| <b>BB-23-3PD-CE8</b> |           |                        | 1,340.                 |
| <b>BB-21-3PD-SN8</b> |           |                        | 1,352.                 |
| <b>BB-23-3PD-SN8</b> |           |                        | 1,406.                 |

# Bebop Accessories

| type   | shelves | configuration   | width  | depth  | height |
|--|---------|---|--------|--------|--------|
| Keyboard Platform<br>   | Ice     |   | 24.62" | 10.57" | 0.72"  |
|  | Snow    |   | 24.62" | 10.57" | 0.72"  |
| AV Platform<br>         | Ice     |   | 24.62" | 10.57" | 0.72"  |
|  | Snow    |   | 24.62" | 10.57" | 0.72"  |
| Wishbone Attachment<br> | Ice     | Attachment only.<br>Recommended with post and c-arm only.<br>Order post and c-arm separately. |        |        |        |
|  | Snow    | Attachment only.<br>Recommended with post and c-arm only.<br>Order post and c-arm separately. |        |        |        |
| Optional Shelf<br>    |         |   | 22"    | 14"    | 1/8"   |
|  |         | Maximum of 2 recommended, metal shelf in metallic grey finish                                 |        |        |        |

## Order Code

*Example:* **BB-KB-CE8**  
**BB-KB** Bebob Keyboard platform  
**CE8** Ice

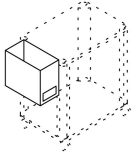
## Ordering Information

*Specify:*  
 Top and bottom color:  
 Ice CE8  
 Snow SN8

| pattern no.       | list   |
|-------------------|--------|
| <b>BB-KB-CE8</b>  | \$642. |
| <b>BB-KB-SN8</b>  | 652.   |
| <b>BB-AV-CE8</b>  | 634.   |
| <b>BB-AV-SN8</b>  | 652.   |
| <b>BB-WSH-CE8</b> | 32.    |
| <b>BB-WSH-SN8</b> | 32.    |
| <b>BB-SH</b>      | 117.   |

# Bebop Accessories

| type         | shelves | configuration | width | depth | height |
|--------------|---------|---------------|-------|-------|--------|
| Project Bins |         |               | 16"   | 6.5"  | 10.75" |



| Order Code | Ordering Information |
|------------|----------------------|
|------------|----------------------|

|                                      |
|--------------------------------------|
| <i>Example:</i> <b>BB-KB-CE8</b>     |
| <b>BB-KB</b> Bebop Keyboard platform |
| <b>CE8</b> Ice                       |

|                       |     |
|-----------------------|-----|
| <i>Specify:</i>       |     |
| Top and bottom color: |     |
| Ice                   | CE8 |
| Snow                  | SN8 |

pattern no.

list

---

**BB-BIN**

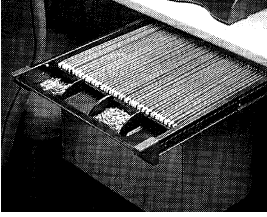
**\$64.**

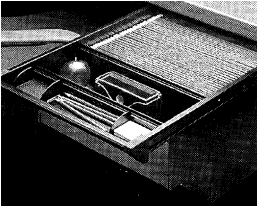
---

# BackPack® Universal Storage Drawers

by Robert Reuter

*suspended files*

| product  | description  | w   | d   | back/front h                     | wgt.           |
|--|--|-----|-----|----------------------------------|----------------|
| Standard Suspended File<br> | <ul style="list-style-type: none"> <li>• Full width, 4<sup>3</sup>/<sub>4</sub>" d 1<sup>3</sup>/<sub>4</sub>"H pencil trough.</li> <li>• Two removable plastic organizing trays.</li> <li>• Generous 16"w 12"D filing space.</li> <li>• Accepts 16" side-to-side hanging letter files.</li> <li>• Accepts 12" front-to-back hanging legal or European A-4 and foolscap files.</li> <li>• Drawer contains 107% capacity of standard file drawer.</li> <li>• Optional lock.</li> <li>• Black painted steel construction with full extension ball-bearing slides.</li> </ul> | 17" | 18" | 10 <sup>1</sup> / <sub>2</sub> " | 16 lbs. 4 ozs. |

|   |  |     |     |                                  |         |
|---|--|-----|-----|----------------------------------|---------|
| Deep Suspended File<br> | <ul style="list-style-type: none"> <li>• Full width, 4<sup>3</sup>/<sub>4</sub>" d 1<sup>3</sup>/<sub>4</sub>"H pencil trough.</li> <li>• Two removable plastic organizing trays.</li> <li>• Full width, 5<sup>1</sup>/<sub>2</sub>" d 6"H intermediate compartment holds computer disks, desk supplies and personal items.</li> <li>• Generous 16"w 12"D filing space.</li> <li>• Accepts 16" side-to-side hanging letter files.</li> <li>• Accepts 12" front-to-back hanging legal or European A-4 and foolscap files.</li> <li>• Drawer contains 107% capacity of standard file drawer.</li> <li>• Optional lock and mouse pad.</li> <li>• Black painted steel construction with full extension ball-bearing slides.</li> </ul> | 17" | 24" | 10 <sup>1</sup> / <sub>2</sub> " | 18 lbs. |
|---|--|-----|-----|----------------------------------|---------|

## Order Code

**Example: BP-SSF**

**BP-SSF** Standard suspended file

## Ordering Information

*Specify:*

1. Pattern number
2. Lock option

*Lock option:*

Lock attaches to slides in field.  
Removable for use elsewhere.  
Key-alike option with Morrison Network, Calibre and the Reuter Overhead.

## Application Notes

BackPack drawers can be used with virtually any Knoll or other wood worksurface.

BackPack storage drawers attach to the underside of wood worksurfaces at any location. In most cases, the drawers may be mounted flush to side panels. When supporting brackets extend further than 2<sup>1</sup>/<sub>2</sub>" from the side panel, a slight reveal will occur. Mounting hardware and template included.



pattern no.

list price

**BP-SSF**

\$422.

**BP-DSF**

465.

Storage

For wire management needs, the minimum depth worksurface for standard depth drawers is 24"; minimum depth for deep drawers is 30". When no wire management is necessary, the Standard Suspended File may be used on an 18" worksurface and the Deep Suspended File may be used on a 24" worksurface.

*Knee clearance:*  
In order to maximize filing capacity, the Standard and Deep Suspended Files do not provide adequate knee clearance. For center worksurface applications, specify the Keyboard or Center File Drawers.

**Construction**

Sturdy, 20-gauge painted steel with full-extension ball-bearing metal slides. Foam surface on mouse pad.  
Die-cast zinc lock painted black.  
Manufactured in the United States.

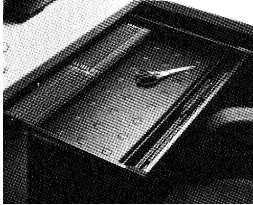
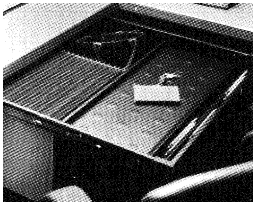
**Design Awards**

ROSCOE Award, *Interior Design Magazine*, 1994. Honorable Mention, Furniture, *ID Magazine* Annual Design Review, 1994.

# BackPack® Universal Storage Drawers

by Robert Reuter

*suspended files*

| product   | description   | w          | d          | back/front h             | wgt.            |
|---|---|------------|------------|--------------------------|-----------------|
| Standard Center File<br> | <ul style="list-style-type: none"> <li>Includes 26"w 14"d 2"H storage for desk and personal items.</li> <li>Full width pencil trough and rear filing area.</li> <li>3 1/2" deep filing area accepts 2 rows of front-to-back letter filing, or one row of front-to-back legal or European A-4/foolscap filing plus space for handbag.</li> <li>Drawer contains 57% capacity of standard file drawer.</li> <li>Optional lock.</li> <li>Black painted steel construction with full extension ball-bearing slides.</li> </ul> | 27"        | 18"        | 11 1/8"/2"               | 16 lbs. 6 ozs.  |
| Deep Center File<br>    | <ul style="list-style-type: none"> <li>Includes 26"w 14"d 2"H storage for desk and personal items</li> <li>Full width pencil trough and rear filing area.</li> <li>9 1/2" deep filing area accepts 2 rows of front-to-back letter filing, or one row of front-to-back legal or European/foolscap filing plus space for handbag.</li> <li>Drawer contains 94% capacity of standard file drawer.</li> <li>Optional lock.</li> <li>Black painted steel construction with full extension ball-bearing slides.</li> </ul>      | 17"<br>27" | 24"<br>24" | 11 1/8"/2"<br>11 1/8"/2" | 20 lbs. 13 ozs. |
| Optional Lock   | <ul style="list-style-type: none"> <li>Non-handed.</li> </ul>   | 1 1/4"     | 2 1/4"     | 1 1/4"                   | 5 ozs.          |

## Order Code

**Example: BP-SSF**  
**BP-SSF** Standard suspended file

## Ordering Information

*Specify:*

1. Pattern number
2. Lock option

*Lock option:*  
 Lock attaches to slides in field.  
 Removable for use elsewhere.  
 Key-alike option with Morrison Network, Calibre and the Reuter Overhead.

## Application Notes

BackPack drawers can be used with virtually any Knoll or other wood worksurface.

BackPack storage drawers attach to the underside of wood worksurfaces at any location. In most cases, the drawers may be mounted flush to side panels. When supporting brackets extend further than 2 1/2" from the side panel, a slight reveal will occur. Mounting hardware and template included.

| pattern no. | list price |
|-------------|------------|
| BP-SCF      | \$471.     |

|           |      |
|-----------|------|
| BP-DCF-17 | 428. |
| BP-DCF    | 515. |

|      |     |
|------|-----|
| BP-L | 54. |
|------|-----|

For wire management needs, the minimum depth worksurface for standard depth drawers is 24"; minimum depth for deep drawers is 30". When no wire management is necessary, the Standard Suspended File may be used on an 18" worksurface and the Deep Suspended File may be used on a 24" worksurface.

*Knee clearance:*  
In order to maximize filing capacity, the Standard and Deep Suspended Files do not provide adequate knee clearance. For center worksurface applications, specify the Keyboard or Center File Drawers.

#### Construction

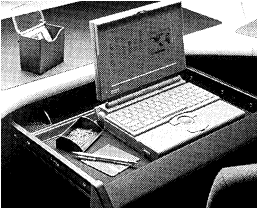
Sturdy, 20-gauge painted steel with full-extension ball-bearing metal slides. Foam surface on mouse pad.  
Die-cast zinc lock painted black.  
Manufactured in the United States.


#### Design Awards

ROSCOE Award, *Interior Design Magazine*, 1994. Honorable Mention, Furniture, *ID Magazine Annual Design Review*, 1994.

# BackPack® Universal Storage Drawers

by Robert Reuter  
keyboard drawers

| product   | description  | w                                | d   | back/front h | wgt.           |
|---|--|----------------------------------|-----|--------------|----------------|
|  <p>Narrow Keyboard Drawer</p> | <ul style="list-style-type: none"> <li>Accommodates virtually any standard keyboard or laptop computer.</li> <li>Full width, 2<sup>3</sup>/<sub>4</sub>"d<sup>3</sup>/<sub>4</sub>"H integral palm rest.</li> <li>21<sup>1</sup>/<sub>4</sub>"w 9<sup>3</sup>/<sub>8</sub>"D black padded keying space.</li> <li>Full width rear pencil trough and 2 removable plastic organizing trays.</li> <li>Thin profile maximizes knee clearance under drawer.</li> <li>Optional lock.</li> <li>Black painted steel construction.</li> <li>Full extension ball-bearing slides, with click-stop in half open position for steady use.</li> </ul> | 22 <sup>1</sup> / <sub>2</sub> " | 18" | 2"           | 8 lbs. 12 ozs. |

|   |  |   |            |          |                 |
|---|--|---|------------|----------|-----------------|
|  <p>Wide Keyboard Drawer with Mouse Pad</p> | <ul style="list-style-type: none"> <li>Accommodates virtually any standard keyboard or laptop computer.</li> <li>Full width, 2<sup>3</sup>/<sub>4</sub>"d<sup>3</sup>/<sub>4</sub>"H integral palm rest.</li> <li>Non-handed mouse pad, black foam with square corners 8" x 9".</li> <li>27<sup>1</sup>/<sub>4</sub>"w 9<sup>3</sup>/<sub>8</sub>"D keying/mousing space.</li> <li>Full width rear pencil trough and 4 removable plastic organizing trays.</li> <li>Thin profile maximizes knee clearance under drawer.</li> <li>Optional lock.</li> <li>Black painted steel construction.</li> <li>Full extension ball-bearing slides, with click-stop in half open position for steady use.</li> </ul> | 25"<br>28 <sup>1</sup> / <sub>2</sub> " | 18"<br>18" | 2"<br>2" | 10 lbs. 12 ozs. |
|---|--|---|------------|----------|-----------------|

| Order Code   | Ordering Information   | Application Notes  |
|--|--|--|
| Example: <b>BP-NKD-BK</b><br><b>BP-NKD</b> Narrow keyboard drawer<br><b>BK</b> Black palm rest | <i>Specify:</i><br>1. Pattern number<br>2. Wrist rest finish<br>3. Lock option<br><br><i>Palm rest nylon finishes:</i><br>Black (BK) | Call Customer Service for availability and minimum requirement.<br><br><i>Lock option:</i><br>Lock attaches to slides in field. Removable for use elsewhere. Key-alike option with Morrison Network, Calibre, and Reuter Overhead. |

| pattern no.   | list price |
|---------------|------------|
| <b>BP-NKD</b> | \$374.     |

|                  |      |
|------------------|------|
| <b>BP-WKD-25</b> | 389. |
| <b>BP-WKD</b>    | 402. |

BackPack storage drawers attach 2 $\frac{3}{8}$ " below the underside of wood worksurfaces at any location. Mounting hardware and template included.

For wire management needs, the minimum depth worksurface for the Narrow and Wide keyboard drawers is 24", and 30" for the Keyboard/Filing Drawer. When no wire management is necessary, both the Narrow and Wide Keyboard Drawers may be used on an 18" deep worksurface and the Keyboard/Filing Drawer may be used on a 24" deep worksurface.

#### Construction

Durable 20-gauge steel painted black. Full-extension ball-bearing metal slides with click-stop in half-open position. Nylon-sheathed foam palm rest.

Die-cast zinc lock painted black.  
Manufactured in the United States.

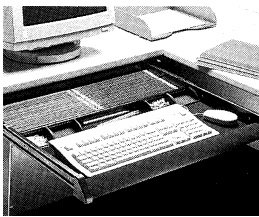
#### Design Awards

ROSCOE Award, *Interior Design Magazine*, 1994. Honorable Mention, Furniture, *ID Magazine* Annual Design Review, 1994.

# BackPack® Universal Storage Drawers

by Robert Reuter

keyboard drawers

| product   | description   | w       | d      | back/front h | wgt.           |
|---|---|---------|--------|--------------|----------------|
| Keyboard/Filing Drawer<br> | <ul style="list-style-type: none"> <li>Accommodates virtually any standard keyboard or laptop computer.</li> <li>Full width, 2<sup>3</sup>/<sub>4</sub>"d<sup>3</sup>/<sub>4</sub>"H integral palm rest.</li> <li>Non-handed mouse pad, black foam with square corners 8" x 9".</li> <li>27<sup>1</sup>/<sub>4</sub>"w 9<sup>3</sup>/<sub>8</sub>"D keying/mousing space.</li> <li>4 removable plastic organizing trays.</li> <li>26<sup>1</sup>/<sub>16</sub>"w 8"D filing space accepts 2 rows of front-to-back letter filing, or one row of front-to-back legal or European A4/foolscap filing.</li> <li>Optional lock.</li> <li>Black painted steel construction.</li> <li>Full extension ball-bearing slides, with click-stop in half open position for steady use.</li> </ul> | 27 1/4" | 24"    | 11 1/2"/2"   | 20 lbs. 7 ozs. |
| Optional Lock   | <ul style="list-style-type: none"> <li>Non-handed.</li> </ul>   | 1 1/4"  | 2 1/4" | 1 1/4"       | 5 ozs.         |

## Order Code

Example: **BP-NKD-BK**  
**BP-NKD** Narrow keyboard drawer  
**BK** Black palm rest

## Ordering Information

*Specify:*

1. Pattern number
2. Wrist rest finish
3. Lock option

*Palm rest nylon finishes:*  
 Black (BK)

## Application Notes

Call Customer Service for availability and minimum requirement.

*Lock option:*  
 Lock attaches to slides in field. Removable for use elsewhere. Key-alike option with Morrison Network, Calibre, and Reuter Overhead.

BackPack drawers can be used with virtually any Knoll or other wood worksurface.

pattern no.

list price

**BP-KFD**

\$538.

**BP-L**

54.

**Construction**

BackPack storage drawers attach 2 $\frac{3}{8}$ " below the underside of wood worksurfaces at any location. Mounting hardware and template included.

For wire management needs, the minimum depth worksurface for the Narrow and Wide keyboard drawers is 24", and 30" for the Keyboard/Filing Drawer. When no wire management is necessary, both the Narrow and Wide Keyboard Drawers may be used on an 18" deep worksurface and the Keyboard/Filing Drawer may be used on a 24" deep worksurface.

Durable 20-gauge steel painted black. Full-extension ball-bearing metal slides with click-stop in half-open position. Nylon-sheathed foam palm rest.

Die-cast zinc lock painted black.  
Manufactured in the United States.



**Design Awards**

ROSCOE Award, *Interior Design Magazine*, 1994. Honorable Mention, Furniture, *ID Magazine Annual Design Review*, 1994.

# BackPack® Universal Storage Drawers

by Robert Reuter

*pencil and top drawers*

| product  | description   | w       | d       | back/front h | wgt.   |
|--|---|---------|---------|--------------|--------|
| Pencil Drawer<br> | <ul style="list-style-type: none"> <li>• 23" w 11 1/2" D paper storage.</li> <li>• Full width pencil trough.</li> <li>• Two removable plastic organizing trays.</li> <li>• Black painted steel construction with full extension ball-bearing slides.</li> <li>• Optional lock.</li> </ul>               | 24"     | 17 5/8" | 2"           |        |
| Top Drawer<br>    | <ul style="list-style-type: none"> <li>• Full width, 4 3/4" d 1 3/4" H pencil trough.</li> <li>• Two removable plastic organizing trays.</li> <li>• 13" w 10" D filing space.</li> <li>• Black painted steel construction with full extension ball-bearing slides.</li> <li>• Optional lock.</li> </ul> | 14 1/4" | 18"     | 10 1/2"      |        |
| Optional Lock  | <ul style="list-style-type: none"> <li>• Non-handed.</li> </ul>   | 1 1/4"  | 2 1/4"  | 1 1/4"       | 5 ozs. |

## Order Code

**Example: BP-PD**

**BP-PD** Pencil drawer

**BP-L** Optional lock

## Ordering Information

*Specify:*

1. Pattern number
2. Lock option

*Lock option:*

Lock attaches to slides in field.  
Removable for use elsewhere.  
Key-alike option with Morrison Network, Calibre and the Reuter Overhead.

## Application Notes

BackPack drawers can be used with virtually any Knoll or other wood worksurface.

BackPack storage drawers attach to the underside of wood worksurfaces at any location. Mounting hardware and template included.




| pattern no. | list price |
|-------------|------------|
| BP-PD       | \$181.     |
| BP-TOP-C    | 384.       |
| BP-L        | 54.        |

|  | Construction   | Design Awards  |
|--|--|--|
| For wire management needs, the minimum depth worksurface for standard depth drawers is 24"; minimum depth for deep drawers is 30". When no wire management is necessary, the Standard Center File may be used on an 18" worksurface and the Deep Center File may be used on a 24" worksurface. | <p>Sturdy 20-gauge painted steel with full extension ball-bearing metal slides.</p> <p>Die-cast zinc lock painted black.</p> <p>BackPack® Top Drawer<br/>Manufactured in the United States.</p> <p>BackPack® Pencil Drawer<br/>manufactured in Canada.</p> | <p>ROSCOE Award, <i>Interior Design Magazine</i>, 1994. Honorable Mention, Furniture, <i>ID Magazine</i> Annual Design Review, 1994.</p> |

# Universal Pencil Drawer

by Books Rorke

| product  | description   | w       | d       | back/front h | wgt.           |
|--|---|---------|---------|--------------|----------------|
| Universal Pencil Drawer<br> | <ul style="list-style-type: none"> <li>• 7 roomy compartments.</li> <li>• Large rear compartment holds flat, legal files, ruler, etc.</li> <li>• Slanted card compartment holds index cards, Post-It™ Notes or business cards.</li> <li>• Middle compartment holds White-Out™ bottle or change.</li> <li>• Front middle compartment holds stapler, pens, scissors, etc.</li> <li>• Other compartments holds calculator, clips, pins, etc.</li> <li>• Available in textured matte black plastic.</li> <li>• Three-quarters extension, ball bearing metal slides with smooth, silent movement.</li> </ul> | 16 1/2" | 22 3/4" | 1 3/4"       | 5 lbs. 12 ozs. |

## Order Code

Example: **ORCH-PD-A**  
**ORCH-** Pencil drawer  
**PD-A**

## Ordering Information

*Specify:*  
 1. Pattern number

## Application Notes

Universal Pencil Drawer can be used with virtually any Knoll or competitor wood worksurface.  
 Minimum depth worksurface for drawer is 24". On freestanding Morrison Network systems, a 30" deep worksurface is required.

pattern no.

list price

---

**ORCH-PD-A**\$180.

---

**Construction**




---

*Universal pencil drawer:*  
Durable vacuum-formed ABS plastic drawer in a matte black, textured finish. Three-quarter extension, ball bearing metal slides with smooth, silent movement.

Manufactured in the United States.

# Universal Marker Boards

by Bruce Hannah & Ayse Birsal

| product   | description   | w   | d      | h       | wgt.            |
|---|---|-----|--------|---------|-----------------|
|  | <ul style="list-style-type: none"> <li>• 1/2" wide anodized aluminum frame with white surface.</li> <li>• Marker Tray option specified separately.</li> <li>• Mountable on load bar, panel, wall or top cap.</li> <li>• Load bar-mounted brackets included in list price, but specified separately (see Mounting Options below).</li> </ul> | 24" | 1/2"   | 18"     | 5 lbs. 2 ozs.   |
|   |   | 30" | 1/2"   | 18"     | 8 lbs. 10 ozs.  |
|   |   | 30" | 1/2"   | 24"     | 11 lbs. 7 ozs.  |
|   |   | 36" | 1/2"   | 18"     | 10 lbs. 5 ozs.  |
|   |   | 36" | 1/2"   | 24"     | 13 lbs. 12 ozs. |
|   |   | 42" | 1/2"   | 24"     | 16 lbs. 1 oz.   |
|   |   | 42" | 1/2"   | 30"     | 20 lbs. 1 oz.   |
|   |   | 48" | 1/2"   | 30"     | 22 lbs. 15 ozs. |
|  | <ul style="list-style-type: none"> <li>• 1/2" wide anodized aluminum frame with white surface.</li> <li>• Marker Tray option specified separately.</li> <li>• Mountable on load bar, panel, wall or top cap.</li> <li>• Load bar-mounted brackets included in list price, but specified separately (see Mounting Options below).</li> </ul> | 24" | 1/2"   | 16 1/4" | 5 lbs. 2 ozs.   |
|   |   | 30" | 1/2"   | 16 1/4" | 8 lbs. 10 ozs.  |
|   |   | 30" | 1/2"   | 22 1/4" | 11 lbs. 7 ozs.  |
|   |   | 36" | 1/2"   | 16 1/4" | 10 lbs. 5 ozs.  |
|   |   | 36" | 1/2"   | 22 1/4" | 13 lbs. 12 ozs. |
|   |   | 42" | 1/2"   | 22 1/4" | 16 lbs. 1 oz.   |
|   |   | 42" | 1/2"   | 28 1/4" | 20 lbs. 1 oz.   |
|   |   | 48" | 1/2"   | 28 1/4" | 22 lbs. 15 ozs. |
|  | <ul style="list-style-type: none"> <li>• Anodized aluminum snap-fit tray for Marker Board markers and erasers.</li> </ul>   | 17" | 1 1/4" |         | 5 ozs.          |

|                  |   |
|------------------|---|
| Mounting Options | Load Bar-Mounted Brackets. Set of 2.                |
|                  | Panel-Mounted Brackets (Generic deep)               |
|                  | Panel-Mounted Brackets (Generic shallow)            |
|                  | Panel-Mounted Brackets for Dividends                |
|                  | Panel-Mounted Brackets for Equity                   |
|                  | Panel-Mounted Brackets for Morrison                 |
|                  | Panel-Mounted Brackets for Reff                     |
|                  | Top Cap-Mounted Brackets (Dividends only)           |
|                  | Top Cap-Mounted Brackets (Equity only)              |
|                  | Top Cap-Mounted Brackets (Morrison Network only)    |
|                  | Top Cap-Mounted Brackets (Reff only)                |
|                  | Top Cap-Mounted Brackets. Set of 2. (Morrison only) |
|                  | Wall-Mounted Brackets. Set of 2.                    |

\* No charge when ordered with Marker or Tack Board

| Order Code   | Ordering Information  |
|--|---|
| <b>Example: OR-WB-24-18-BK</b><br><b>OR-WB-PM-M</b><br><b>OR-WB-TR-BK</b>  | <i>Specify:</i><br>1. Pattern number<br>2. Frame finish<br>3. Mounting option<br>4. System suffix (panel and top cap-mounted only)<br>5. Marker Tray (optional)<br>6. Marker Tray finish<br><br><i>Anodized finish:</i><br>Black (BK)<br>Silver (SV) *        |
| <b>OR-WB-24-18</b> 24" x 18" Marker board<br><b>BK</b> Black frame<br><b>OR-WB-PM</b> Panel-mounted<br><b>M</b> Morrison Network<br><b>OR-WB-TR</b> Marker tray<br><b>BK</b> Black |   |
|  | <i>Mounting options:</i><br><br><b>Rail-Mounted:</b> Standard option. Includes load bar clip and adhesive-backed rubber bumper to protect panel fabric and prevent deflection.<br><br><b>Panel-Mounted:</b> To ensure rigidity, specify two sets and brackets |
|  | <b>Wall-Mounted:</b> Specify pattern number.<br><br><b>Top cap-mounted:</b> Equity and Morrison Network Systems brackets available. Use bracket pattern numbers listed below:<br>Equity E<br>Morrison Network M   |
|  | * *Please consult Customer Service for lead times.  |

| pattern no.    | list price |
|----------------|------------|
| OR-WB-24-18    | \$178.     |
| OR-WB-30-18    | 265.       |
| OR-WB-30-24    | 300.       |
| OR-WB-36-18    | 374.       |
| OR-WB-36-24    | 416.       |
| OR-WB-42-24    | 484.       |
| OR-WB-42-30    | 538.       |
| OR-WB-48-30    | 620.       |
| OR-WB-24-18-E  | 178.       |
| OR-WB-30-18-E  | 265.       |
| OR-WB-30-24-E  | 300.       |
| OR-WB-36-18-E  | 374.       |
| OR-WB-36-24-E  | 416.       |
| OR-WB-42-24-E  | 484.       |
| OR-WB-42-30-E  | 538.       |
| OR-WB-48-30-E  | 620.       |
| OR-WB-TR       | 47.        |
| OR-WB-LBZ *    | 7.         |
| OR-WB-PM-B     | 19.        |
| OR-WB-PM-D     | 19.        |
| OR-WB-PM-DV    | 40.        |
| OR-WB-PM-E     | 29.        |
| OR-WB-PM-M     | 29.        |
| OR-WB-PM-R     | 48.        |
| OR-WB-TCM-DV * | 7.         |
| OR-WB-TCM-E *  | 7.         |
| OR-WB-TCM-NS   | 7.         |
| OR-WB-TCM-R *  | 7.         |
| OR-WB-TCM-M *  | 7.         |
| OR-WB-WM       | 32.        |

**Equity application note:**

For all Equity panel-mounted applications, add "E" to end of base pattern number.

**Note:**

If your system is not listed, contact your KnollExtra representative or Customer Service for appropriate panel-mounted bracket to specify.

**Custom Options**

Other writing surface and custom frame colors available. Custom frame sizes available up to 72"W x 48"D in size. High performance porcelain-covered steel market board also available. 25 unit minimum per line item on all customs. Contact your KnollExtra representative or Customer Service for pricing information.

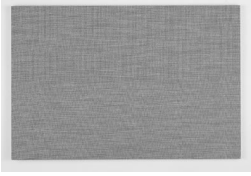
**Construction**

Anodized aluminum frame. Black cork or white melamine laminated on hardboard.

Manufactured in the United States.

# Universal Fabric Boards

## Standard Sizes

| product  | description  | w   | d    | h   | textile fabric yards |
|--|--|-----|------|-----|----------------------|
| Fabric Boards<br> | <ul style="list-style-type: none"> <li>Standard fabric board has 1/2" thick mineral board construction with squared corner.</li> <li>Rounded corner or radiused edge, available at upcharge.</li> <li>Panel or wall mounting options.</li> </ul> | 24" | 1/2" | 14" | .66                  |
|  |  | 24" | 1/2" | 16" | .66                  |
|  |  | 24" | 1/2" | 18" | .66                  |
|  |  | 24" | 1/2" | 20" | .75                  |
|  |  | 24" | 1/2" | 24" | 1                    |
|  |  | 30" | 1/2" | 14" | .66                  |
|  |  | 30" | 1/2" | 16" | .66                  |
|  |  | 30" | 1/2" | 18" | .66                  |
|  |  | 30" | 1/2" | 20" | .75                  |
|  |  | 30" | 1/2" | 24" | 1                    |
|  |  | 36" | 1/2" | 14" | .66                  |
|  |  | 36" | 1/2" | 16" | .66                  |
|  |  | 36" | 1/2" | 18" | .66                  |
|  |  | 36" | 1/2" | 20" | .75                  |
|  |  | 36" | 1/2" | 24" | 1                    |
| 42"  | 1/2"   | 14" | .66  |     |                      |
| 42"  | 1/2"   | 16" | .66  |     |                      |

| Order Code   | Ordering Information   | Mounting Options  |
|--|--|---|
| <b>Example: F-24-16-R2-A-30-W388/1 F-WM-F</b><br><hr/> <b>F-24-16</b> 24" x 16" Fabric board<br><hr/> <b>R2</b> Rounded corner/radius edge detail<br><hr/> <b>A</b> Thickness<br><hr/> <b>30</b> Fabric grade 30<br><hr/> <b>W388/1</b> Freehand, Glacier<br><hr/> <b>F-WM-F</b> Wall-mounted, flush | <p><i>Specify:</i></p> <ol style="list-style-type: none"> <li>Pattern number</li> <li>Corner/edge detail</li> <li>Thickness</li> <li>Fabric grade</li> <li>Fabric selection</li> <li>Mounting option pattern number</li> <li>System suffix (panel-mounted option only)</li> </ol> <p><i>Equity application note:</i><br/>For all Equity panel-mounted applications, add "E" to end of base pattern number.</p> <p><i>Corner/edge detail:</i><br/>Squared corner/rectilinear edge (S1)<br/>Squared corner/radiused edge (S2)<br/>Rounded corner/radiused edge (R2)</p> <p>Standard fabric board has squared corner and rectilinear edge details. See page 150 for edge upcharge.</p> <p>Standard fabric board has 1/2" thick mineral board.</p> | <p><i>Panel-mounted brackets:</i><br/>Panel-mounted brackets are included in the list price but must be specified separately. To specify appropriate panel-mounted bracket, consult the KnollExtra Bracket Chart on page 13.</p> <p>Panel mounted bracket size must match height of fabric board.</p> <p><i>Wall-mounted options:</i><br/>Wall-mounted applications must be specified as flush (F-WM-F) or reveal (F-WM-R). Both options are appropriate for any smooth, clean surface. Flush wall-mount option utilizes velcro squares.</p> <p>Reveal wall-mount option provides 1/2" clearance for wire management behind fabric board. Fabric boards mount with 4 brackets onto 2 black painted wall rails that screw into wall to ensure rigidity. For other mounting options and pricing, contact Customer Service.</p> <p><i>Under overhead specification note:</i><br/>For application under a system overhead, provide clearance distance between the worksurface and the bottom of the overhead or task light.</p> <p><i>Side by side fabric board specification note:</i><br/>Please note if a panel-mounted fabric board will be used contiguous to another fabric board, drawings are required and there will be an up-charge.</p> <p><i>60" wide boards in fabric grades 50, 55 and 60:</i><br/>Due to grades 50, 55 and 60 fabric widths being less than the width of a 60" board, contact your KnollExtra representative or Customer Service for pricing and fabric railroading information.</p> |

| pattern no.           | COM    |        |        |        |        |        |        |        |        |        |
|-----------------------|--------|--------|--------|--------|--------|--------|--------|--------|--------|--------|
|                       | 10     | 15     | 20     | 30     | 35     | 40     | 45/46  | 50     | 55     | 60     |
| F-24-14-( )-A-( ) ( ) | \$239. | \$245. | \$274. | \$284. | \$287. | \$292. | \$301. | \$302. | \$319. | \$330. |
| F-24-16-( )-A-( ) ( ) | 239.   | 245.   | 274.   | 284.   | 287.   | 292.   | 301.   | 302.   | 319.   | 330.   |
| F-24-18-( )-A-( ) ( ) | 256.   | 262.   | 282.   | 293.   | 295.   | 299.   | 309.   | 311.   | 327.   | 339.   |
| F-24-20-( )-A-( ) ( ) | 319.   | 323.   | 328.   | 341.   | 344.   | 348.   | 359.   | 362.   | 379.   | 392.   |
| F-24-24-( )-A-( ) ( ) | 358.   | 365.   | 403.   | 418.   | 422.   | 429.   | 444.   | 446.   | 471.   | 489.   |
| F-30-14-( )-A-( ) ( ) | 273.   | 277.   | 316.   | 324.   | 327.   | 331.   | 343.   | 344.   | 359.   | 371.   |
| F-30-16-( )-A-( ) ( ) | 280.   | 286.   | 322.   | 331.   | 334.   | 341.   | 349.   | 350.   | 369.   | 378.   |
| F-30-18-( )-A-( ) ( ) | 289.   | 294.   | 330.   | 342.   | 344.   | 348.   | 358.   | 359.   | 375.   | 388.   |
| F-30-20-( )-A-( ) ( ) | 361.   | 366.   | 393.   | 404.   | 408.   | 414.   | 424.   | 425.   | 444.   | 459.   |
| F-30-24-( )-A-( ) ( ) | 402.   | 411.   | 437.   | 451.   | 455.   | 463.   | 478.   | 479.   | 505.   | 521.   |
| F-36-14-( )-A-( ) ( ) | 280.   | 286.   | 330.   | 342.   | 344.   | 348.   | 358.   | 359.   | 375.   | 388.   |
| F-36-16-( )-A-( ) ( ) | 296.   | 301.   | 341.   | 348.   | 350.   | 355.   | 365.   | 366.   | 385.   | 395.   |
| F-36-18-( )-A-( ) ( ) | 304.   | 310.   | 347.   | 356.   | 359.   | 364.   | 374.   | 375.   | 391.   | 403.   |
| F-36-20-( )-A-( ) ( ) | 361.   | 366.   | 401.   | 413.   | 416.   | 420.   | 433.   | 434.   | 452.   | 465.   |
| F-36-24-( )-A-( ) ( ) | 424.   | 433.   | 486.   | 500.   | 504.   | 511.   | 526.   | 528.   | 553.   | 570.   |
| F-42-14-( )-A-( ) ( ) | 298.   | 302.   | 355.   | 365.   | 369.   | 373.   | 384.   | 385.   | 400.   | 412.   |
| F-42-16-( )-A-( ) ( ) | 321.   | 326.   | 362.   | 372.   | 374.   | 377.   | 388.   | 390.   | 405.   | 417.   |

**Custom Options**

*For special sizes:*  
For specials contact Customer Service. Maximum fabric board size is 120"W x 24"H. Fabric must be railroaded on any panel wider than 60".

*Customer's own material:*  
For approval, submit at least one yard of fabric for application testing. For panel-mounted applications, all COMs and textiles that are not pre-approved must be UL-tested. Please consult KnollExtra Customer Services for details.

**Construction**

1/2" thick mineral board for durable, highly tackable surface.

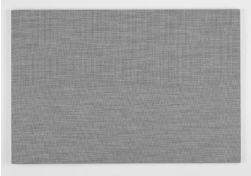
Manufactured in the United States.

**Fabric Selection**

|  |  |  |   |  |
|--|--|--|---|--|
| <p><i>Grade 10</i><br/>Bailey II<br/>Broadcloth<br/>Foundation<br/>Growth Spurt<br/>Newbury<br/>Solid Crepe<br/>Symbolic<br/>Details<br/>Tailor Made<br/>Taurus<br/>Versatility</p> <p><i>Grade 15</i><br/>Fairfield<br/>Marche<br/>Regency</p> <p><i>Grade 20</i><br/>Banyan<br/>Bauhaus<br/>Block<br/>Boardwalk<br/>Clarity<br/>Criss Cross<br/>Devon<br/>Frequency<br/>Labyrinth<br/>Litchfield<br/>Melbourne<br/>Outback</p> | <p><i>Grade 20 (cont.)</i><br/>Playa<br/>Reflect<br/>Resolution<br/>Walkabout<br/>Weave Three</p> <p><i>Grade 30</i><br/>Basket Draft<br/>Elan<br/>Flow<br/>Harmony<br/>Micro<br/>Progression<br/>Progression<br/>Striae<br/>Promenade<br/>Raku Cloth<br/>Relay<br/>Walls of<br/>Rain</p> <p><i>Grade 35</i><br/>Saxony Plus</p> | <p><i>Grade 40</i><br/>Analogy *<br/>Bardo<br/>Boxstep<br/>Eurythmic<br/>Foil Rap<br/>Freefall<br/>Hard Rock<br/>Heavy Metal<br/>Metaphor *<br/>Palladium<br/>Sennit<br/>Sierra<br/>Spinoff<br/>Nuance</p> <p><i>Grade 45</i><br/>Backdrop†<br/>Casual<br/>Elegance<br/>Digital<br/>Tape†<br/>Dristi *<br/>Fast<br/>Forward†<br/>Macro<br/>Mezzo</p> | <p><i>Grade 50</i><br/>Abacus *<br/>Atlantis *<br/>Bankshot *<br/>Calligraphy *‡<br/>Chroma *‡<br/>Extreme<br/>Velvet *<br/>Glo *<br/>Ingot *<br/>Jumpstart *<br/>Luberon *<br/>Mariner *‡<br/>Presto *<br/>Ricochet *<br/>Starry Night *<br/>Tokay II *<br/>Transit *‡</p> | <p><i>Grade 55</i><br/>Field Day *<br/>Spin *‡<br/>Transition *</p> <p><i>Grade 60</i><br/>Aero *<br/>Classic<br/>Boucle *‡<br/>Lunar *<br/>Pella *<br/>Protocol *‡<br/>Rochelle *‡<br/>Spectrum *</p> <p>† Not available with radiused edge.<br/>* Consult your KnollExtra representative or Customer Service for pricing on 60" wide boards.<br/>‡ Available for wall mount only.</p> <p><i>Note:</i><br/>As a general rule, all fabrics approved for a Morrison panel application are approved for KnollExtra fabric wrapped tack boards.</p> |
|--|--|--|---|--|

# Universal Fabric Boards

## Standard Sizes

| product  | description  | w   | d    | h   | textile fabric yards |
|--|--|-----|------|-----|----------------------|
| Fabric Boards<br> | <ul style="list-style-type: none"> <li>Standard fabric board has 1/2" thick mineral board construction with squared corner.</li> <li>Rounded corner or radiused edge, available at upcharge.</li> <li>Panel or wall mounting options.</li> </ul> | 42" | 1/2" | 18" | .66                  |
|  |  | 42" | 1/2" | 20" | .75                  |
|  |  | 42" | 1/2" | 24" | 1                    |
|  |  | 48" | 1/2" | 14" | .66                  |
|  |  | 48" | 1/2" | 16" | .66                  |
|  |  | 48" | 1/2" | 18" | .66                  |
|  |  | 48" | 1/2" | 20" | .75                  |
|  |  | 48" | 1/2" | 24" | 1                    |
|  |  | 60" | 1/2" | 14" | .66                  |
|  |  | 60" | 1/2" | 16" | .66                  |
|  |  | 60" | 1/2" | 18" | .66                  |
|  |  | 60" | 1/2" | 20" | .75                  |
|  |  | 60" | 1/2" | 24" | 1                    |

| Order Code   | Ordering Information   | Mounting Options  |
|--|--|---|
| <b>Example: F-24-16-R2-A-30-W388/1 F-WM-F</b><br><hr/> <b>F-24-16</b> 24" x 16" Fabric board<br><hr/> <b>R2</b> Rounded corner/radius edge detail<br><hr/> <b>A</b> Thickness<br><hr/> <b>30</b> Fabric grade 30<br><hr/> <b>W388/1</b> Freehand, Glacier<br><hr/> <b>F-WM-F</b> Wall-mounted, flush | <p><i>Specify:</i></p> <ol style="list-style-type: none"> <li>Pattern number</li> <li>Corner/edge detail</li> <li>Thickness</li> <li>Fabric grade</li> <li>Fabric selection</li> <li>Mounting option pattern number</li> <li>System suffix (panel-mounted option only)</li> </ol> <p><i>Equity application note:</i><br/>For all Equity panel-mounted applications, add "E" to end of base pattern number.</p> <p><i>Corner/edge detail:</i><br/>Squared corner/rectilinear edge (S1)<br/>Squared corner/radiused edge (S2)<br/>Rounded corner/radiused edge (R2)</p> <p>Standard fabric board has squared corner and rectilinear edge details. See page 150 for edge upcharge.</p> <p>Standard fabric board has 1/2" thick mineral board.</p> | <p><i>Panel-mounted brackets:</i><br/>Panel-mounted brackets are included in the list price but must be specified separately. To specify appropriate panel-mounted bracket, consult the KnollExtra Bracket Chart on page 13.</p> <p>Panel mounted bracket size must match height of fabric board.</p> <p><i>Wall-mounted options:</i><br/>Wall-mounted applications must be specified as flush (F-WM-F) or reveal (F-WM-R). Both options are appropriate for any smooth, clean surface. Flush wall-mount option utilizes velcro squares.</p> <p>Reveal wall-mount option provides 1/2" clearance for wire management behind fabric board. Fabric boards mount with 4 brackets onto 2 black painted wall rails that screw into wall to ensure rigidity. For other mounting options and pricing, contact Customer Service.</p> <p><i>Under overhead specification note:</i><br/>For application under a system overhead, provide clearance distance between the worksurface and the bottom of the overhead or task light.</p> <p><i>Side by side fabric board specification note:</i><br/>Please note if a panel-mounted fabric board will be used contiguous to another fabric board, drawings are required and there will be an up-charge.</p> <p><i>60" wide boards in fabric grades 50, 55 and 60:</i><br/>Due to grades 50, 55 and 60 fabric widths being less than the width of a 60" board, contact your KnollExtra representative or Customer Service for pricing and fabric railroading information.</p> |



| pattern no.           | COM    |        |        |        |        |        |        |        |        |        |
|-----------------------|--------|--------|--------|--------|--------|--------|--------|--------|--------|--------|
|                       | 10     | 15     | 20     | 30     | 35     | 40     | 45/46  | 50     | 55     | 60     |
| F-42-18-( )-A-( ) ( ) | \$321. | \$326. | \$379. | \$389. | \$391. | \$396. | \$405. | \$409. | \$424. | \$436. |
| F-42-20-( )-A-( ) ( ) | 411.   | 415.   | 450.   | 462.   | 464.   | 470.   | 482.   | 483.   | 501.   | 515.   |
| F-42-24-( )-A-( ) ( ) | 498.   | 507.   | 552.   | 566.   | 570.   | 577.   | 593.   | 594.   | 620.   | 637.   |
| F-48-14-( )-A-( ) ( ) | 304.   | 310.   | 363.   | 373.   | 375.   | 379.   | 390.   | 391.   | 409.   | 419.   |
| F-48-16-( )-A-( ) ( ) | 321.   | 326.   | 379.   | 389.   | 391.   | 396.   | 405.   | 409.   | 424.   | 436.   |
| F-48-18-( )-A-( ) ( ) | 329.   | 334.   | 379.   | 389.   | 391.   | 396.   | 405.   | 409.   | 424.   | 436.   |
| F-48-20-( )-A-( ) ( ) | 411.   | 415.   | 450.   | 462.   | 464.   | 470.   | 482.   | 483.   | 501.   | 515.   |
| F-48-24-( )-A-( ) ( ) | 508.   | 515.   | 632.   | 647.   | 650.   | 657.   | 673.   | 675.   | 700.   | 716.   |
| F-60-14-( )-A-( ) ( ) | 387.   | 391.   | 461.   | 470.   | 472.   | 478.   | 488.   | 0.     | 0.     | 0.     |
| F-60-16-( )-A-( ) ( ) | 395.   | 399.   | 469.   | 479.   | 482.   | 487.   | 496.   | 0.     | 0.     | 0.     |
| F-60-18-( )-A-( ) ( ) | 418.   | 423.   | 480.   | 490.   | 492.   | 497.   | 508.   | 0.     | 0.     | 0.     |
| F-60-20-( )-A-( ) ( ) | 447.   | 454.   | 500.   | 511.   | 513.   | 518.   | 529.   | 0.     | 0.     | 0.     |
| F-60-24-( )-A-( ) ( ) | 508.   | 515.   | 632.   | 647.   | 650.   | 657.   | 673.   | 0.     | 0.     | 0.     |

**Custom Options**

*For special sizes:*  
For specials contact Customer Service. Maximum fabric board size is 120"W x 24"H. Fabric must be railroaded on any panel wider than 60".

*Customer's own material:*  
For approval, submit at least one yard of fabric for application testing. For panel-mounted applications, all COMs and textiles that are not pre-approved must be UL-tested. Please consult KnollExtra Customer Services for details.

**Construction**

1/2" thick mineral board for durable, highly tackable surface.

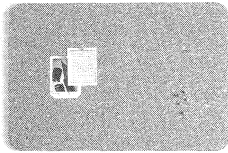
Manufactured in the United States.

**Fabric Selection**

|  |  |  |   |  |
|--|--|--|---|--|
| <p><i>Grade 10</i><br/>Bailey II<br/>Broadcloth<br/>Foundation<br/>Growth Spurt<br/>Newbury<br/>Solid Crepe<br/>Symbolic<br/>Details<br/>Tailor Made<br/>Taurus<br/>Versatility</p> <p><i>Grade 15</i><br/>Fairfield<br/>Marche<br/>Regency</p> <p><i>Grade 20</i><br/>Banyan<br/>Bauhaus<br/>Block<br/>Boardwalk<br/>Clarity<br/>Criss Cross<br/>Devon<br/>Frequency<br/>Labyrinth<br/>Litchfield<br/>Melbourne<br/>Outback</p> | <p><i>Grade 20 (cont.)</i><br/>Playa<br/>Reflect<br/>Resolution<br/>Walkabout<br/>Weave Three</p> <p><i>Grade 30</i><br/>Basket Draft<br/>Elan<br/>Flow<br/>Harmony<br/>Micro<br/>Progression<br/>Progression<br/>Striae<br/>Promenade<br/>Raku Cloth<br/>Relay<br/>Walls of<br/>Rain</p> <p><i>Grade 35</i><br/>Saxony Plus</p> | <p><i>Grade 40</i><br/>Analogy *<br/>Bardo<br/>Boxstep<br/>Eurythmic<br/>Foil Rap<br/>Freefall<br/>Hard Rock<br/>Heavy Metal<br/>Metaphor *<br/>Palladium<br/>Sennit<br/>Sierra<br/>Spinoff<br/>Nuance</p> <p><i>Grade 45</i><br/>Backdrop†<br/>Casual<br/>Elegance<br/>Digital<br/>Tape†<br/>Dristi *<br/>Fast<br/>Forward†<br/>Macro<br/>Mezzo</p> | <p><i>Grade 50</i><br/>Abacus *<br/>Atlantis *<br/>Bankshot *<br/>Calligraphy *‡<br/>Chroma *‡<br/>Extreme<br/>Velvet *<br/>Glo *<br/>Ingot *<br/>Jumpstart *<br/>Luberon *<br/>Mariner *‡<br/>Presto *<br/>Ricochet *<br/>Starry Night *<br/>Tokay II *<br/>Transit *‡</p> | <p><i>Grade 55</i><br/>Field Day *<br/>Spin *‡<br/>Transition *</p> <p><i>Grade 60</i><br/>Aero *<br/>Classic<br/>Boucle *‡<br/>Lunar *<br/>Pella *<br/>Protocol *‡<br/>Rochelle *‡<br/>Spectrum *</p> <p>† Not available with radiused edge.<br/>* Consult your KnollExtra representative or Customer Service for pricing on 60" wide boards.<br/>‡ Available for wall mount only.</p> <p><i>Note:</i><br/>As a general rule, all fabrics approved for a Morrison panel application are approved for KnollExtra fabric wrapped tack boards.</p> |
|--|--|--|---|--|

# Universal Fabric Boards

## Options and Mounting Information

| product  | description      | application  | w | d | h |
|--|------------------|--|---|---|---|
| Fabric Boards<br> | Mounting Options | 1/2" Reveal Wall-Mounted   |   |   |   |
|  |                  | Flush Wall-Mounted (No charge when ordered with fabric board)  |   |   |   |
|  |                  | Panel-Mounted Dividends (No charge when ordered with fabric board)   |   |   |   |
|  |                  | Panel-Mounted Equity (No charge when ordered with fabric board)  |   |   |   |
|  |                  | Panel-Mounted Morrison (No charge when ordered with fabric board)  |   |   |   |
|  |                  | Panel-Mounted Reff (No charge when ordered with fabric board)  |   |   |   |
|  | Edge Detail      | Rounded corner/radiused edge (add -R2 to end of fabric board pattern number)   |   |   |   |
|  |                  | Squared corner/radiused edge (add -S2 to end of fabric board pattern number)   |   |   |   |
|  |                  | Squared corner/rectilinear edge (add -S1 to end of fabric board pattern number)  |   |   |   |
|  |                  | <ul style="list-style-type: none"> <li>• Standard fabric board has 1/2" thick mineral board construction with squ</li> <li>• Rounded corner or radiused edge option available at upcharge.</li> <li>• Panel or wall mounting options.</li> </ul> |   |   |   |

| Order Code  | Ordering Information   | Mounting Options   |
|---|--|--|
| <b>Example:</b> F-60-14-S1-A-40-W337/4<br>F-PM-R-14 | <i>Specify:</i><br>1. Pattern number<br>2. Corner/edge detail<br>3. Fabric grade<br>4. Fabric selection<br>5. Mounting option pattern number<br>6. System suffix (panel-mounted option only) | <i>Panel-mounted brackets:</i><br>Panel-mounted brackets are included in the list price but must be specified separately. To specify appropriate panel-mounted bracket, consult the KnollExtra bracket chart on page 12. |
| <b>F-60-14</b> 60" x 14" fabric board               |  |  |
| <b>S1</b> Squared corner/rectilinear edge           |  |  |
| <b>A</b> Thickness                                  |  |  |
| <b>40</b> Fabric grade                              |  |  |
| <b>W337/4</b> Sennit, Olivine                       |  |  |
| <b>F-PM</b> Panel-mounted                           |  |  |
| <b>R</b> Reff                                       |  |  |
| <b>14</b> 14" Fabric board bracket                  |  |  |
|   | <i>Equity application note:</i><br>For all Equity panel-mounted applications, add "E" to end of base pattern number.   |  |
|   | <i>Corner/edge detail:</i><br>Squared corner/rectilinear edge (S1)<br><br>Squared corner/radiused edge (S2)<br><br>Rounded corner/radiused edge (R2)   |  |
|   |  | <i>Panel mounted bracket size must match height of fabric board.</i>   |
|   |  | <i>Wall-mounted options:</i><br>Wall-mounted applications must be specified as flush (F-WM-F) or reveal (F-WM-R). Both options are appropriate for any smooth, clean surface.  |
|   |  | Flush wall-mount option utilizes velcro squares.   |

| pattern no.   | list price |
|---|------------|
| F-WM-R-(14, 16, 18, 20 or 24)                           | \$96.      |
| F-WM-F-(24, 30, 36, 42, 48, 60)- (14, 16, 18, 20 or 24) | 29.        |
| F-PM-D-(14, 16, 18, 20 or 24)                           | 37.        |
| F-PM-E-(14, 16, 18, 20 or 24)                           | 37.        |
| F-PM-M-(14, 16, 18, 20 or 24)                           | 37.        |
| F-PM-R-(14, 16, 18, 20 or 24)                           | 37.        |
| R2  | 29.        |
| S2  | 29.        |
| S1  | n/c        |

*Under overhead specification note:*  
For application under a system overhead, provide clearance distance between the worksurface and the bottom of the overhead or task light.

*Side by side fabric board specification note:*  
Please note if a panel-mounted fabric board will be used contiguous to another fabric board drawings are required and there will be an up-charge.

**Construction**

1/2" thick mineral board for durable, highly tackable surface.

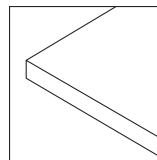
**Custom Options**

*For special sizes:*  
Refer to the standard size scope. Locate the standard fabric board size which is equal to or greater in width and depth than the requested special. Add 10% to the standard list price. Note "special" when ordering. For specials above 60"W x 24"H, contact Customer Service. Maximum fabric board size is 120"W x 24"H. Fabric must be railroaded on any panel wider than 60".

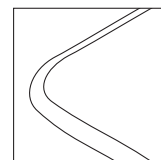
*Customer's own material:*  
For approval, submit at least one yard of fabric for application testing. For panel-mounted applications, all COMs and textiles that are not pre-approved must be UL-tested. Please consult KnollExtra Customer Service for details.

**Corner/Edge Detail**

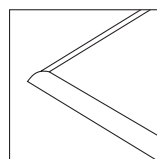
S1. Squared corner/Rectilinear edge



R2. Rounded corner/Radiused edge



S2. Squared corner/Radiused edge



# Universal Fabric Boards

## *Top Cap Hung Marker Board*

| product                   | description  | application | w   | d  | h   |
|---------------------------|--|-------------|-----|----|-----|
| Top Cap Hung Marker Board | <ul style="list-style-type: none"> <li>• Incorporates erasable surface.</li> <li>• Includes tray for markers and erasers.</li> </ul> |             | 30" | 3" | 36" |
|                           | Mounting Option  | Wall Rail   |     |    |     |

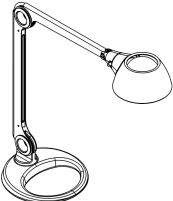
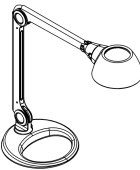






| Order Code  | Ordering Information                 | Mounting Options  | Construction   |
|---|--------------------------------------|---|--|
| <b>Example: PR MB 3036</b><br><b>PR MB</b> Top Cap Hung Marker<br><b>3036</b> Board | <i>Specify:</i><br>1. Pattern number | <p><i>Top cap hung marker board:</i><br/>           Marker boards hang from top of systems panels between .375" and 2.5" inches wide.</p> <p>Reveal wall-mount option provides 1/2" clearance for wire management behind fabric board. Fabric boards mount with 4 brackets onto 2 black painted wall rails that screw into wall to ensure rigidity. For other mounting options and pricing, consult Customer Service.</p> | <p><i>Top cap hung marker board:</i><br/>           White laminate surface on Sintra core. Extruded aluminum trough.</p> <p>Manufactured in the United States.</p> <p><i>Wall Rail:</i><br/>           Machined aluminum powder coated light grey to match top cap hung marker board trough.</p> |

| pattern no.          | list price |
|----------------------|------------|
| <b>PR-MB-3036</b>    | \$647.     |
| <b>PR-MB-WM-Rail</b> | 29.        |

# Copeland™ Light

by Stephan Copeland

| product   | description   |
|---|---|
| <p>Standard Arm</p>  <p><i>Shown with base</i></p> | <ul style="list-style-type: none"> <li>• Standard Arm.</li> <li>• 15 watt compact fluorescent bulb ( equivalent of 75 watt incandescent bulb ).</li> <li>• Mounting option must be ordered separately.</li> </ul>   |
| <p>Compact Arm</p>  <p><i>Shown with base</i></p>  | <ul style="list-style-type: none"> <li>• Compact Arm.</li> <li>• 13 watt compact fluorescent bulb ( equivalent of 60 watt incandescent bulb ).</li> <li>• Mounting option must be ordered separately.</li> </ul>  |
| <p>Mounting Options</p>   | <p>Standard base</p> <ul style="list-style-type: none"> <li>• Standard base.</li> <li>• To be used with standard arm only</li> </ul>  <hr/> <p>Compact base</p> <ul style="list-style-type: none"> <li>• Compact base</li> <li>• To be used with compact arm only</li> </ul>  <hr/> <p>Table clamp</p> <ul style="list-style-type: none"> <li>• To be used with either size arm.</li> <li>• Works on desks of up to 1 3/4" thick.</li> </ul>  <hr/> <p>Panel Mount, Morrison</p> <ul style="list-style-type: none"> <li>• Panel mount bracket for Morrison.</li> <li>• To be used with either size arm</li> </ul>  |







| Order Code   | Ordering Information  | Light Bulb Information  |
|--|---|---|
| <p>Example: <b>COPE-01-SV, COPE-01-BASE-SV</b></p> <hr/> <p><b>COPE-01-SV</b> Copeland light standard arm in silver</p> <hr/> <p><b>COPE-01-BASE-SV</b> Copeland standard base in silver</p> | <p><i>Specify:</i></p> <ol style="list-style-type: none"> <li>1. Pattern number for arm</li> <li>2. Finish for arm</li> <li>3. Mounting option pattern number</li> <li>4. Mounting option finish</li> </ol> | <p><i>Finish Options:</i></p> <p>Silver (SV)<br/>Black (111)</p> <p>Standard Light:</p> <ul style="list-style-type: none"> <li>• Ships with a 15 watt compact fluorescent light bulb. This is equivalent light output of a 75 watt incandescent light bulb.</li> <li>• An incandescent light bulb can also be used. 75 watt is the maximum.</li> <li>• See above for bulb replacement.</li> </ul> |

| pattern no.             | list price |
|-------------------------|------------|
| <b>COPE-01-( )</b>      | \$165.     |
| <b>COPE-02-( )</b>      | 155.       |
| <b>COPE-01-BASE-( )</b> | 90.        |
| <b>COPE-02-BASE-( )</b> | 85.        |
| <b>COPE-CLMP-( )</b>    | 50.        |
| <b>COPE-PM-M-( )</b>    | 75.        |

|   | Construction  | Design Awards                            |
|---|---|--|
| <p>Compact Light:</p> <ul style="list-style-type: none"> <li>• Ships with a 13 watt compact fluorescent light bulb. This is equivalent light output of a 60 watt incandescent light bulb.</li> <li>• A “ceiling fan” incandescent bulb can also be used. 60 watt is the maximum.</li> </ul> | <p>The Copeland Light has a steel arm, aluminum axles, zinc coated cast iron base and metallic-painted ABS shade.</p> | <p>Best of NeoCon 2005, Silver Award</p> |

# Copeland™ Light

by Stephan Copeland

| product          | description  |
|------------------|--|
| Mounting Options | Panel Mount, Equity <ul style="list-style-type: none"> <li>• Panel mount bracket for Equity.</li> <li>• To be used with either size arm</li> </ul>                |
|                  | Panel Mount, Reff <ul style="list-style-type: none"> <li>• Panel mount bracket for Reff.</li> <li>• To be used with either size arm</li> </ul>                    |
|                  | Panel Mount, Dividends <ul style="list-style-type: none"> <li>• Panel mount bracket for Dividends.</li> <li>• To be used with either size arm</li> </ul>          |
|                  | Crinion Open Table, Mount <ul style="list-style-type: none"> <li>• Crinion Open Table center spine mount .</li> <li>• To be used with either size arm</li> </ul>  |
|                  | Grommet Mount <ul style="list-style-type: none"> <li>• To be used with either size arm</li> </ul>    |
|                  | Slatwall mount. <ul style="list-style-type: none"> <li>• To be used with either size arm</li> </ul>   |

| Order Code   | Ordering Information   | Light Bulb Information  |
|--|--|---|
| Example: <b>COPE-01-SV,COPE-01-BASE-SV</b><br><b>COPE-01-SV</b> Copeland light standard arm in silver<br><b>COPE-01-BASE-SV</b> Copeland standard base in silver | <i>Specify:</i> <ol style="list-style-type: none"> <li>1. Pattern number for arm</li> <li>2. Finish for arm</li> <li>3. Mounting option pattern number</li> <li>4. Mounting option finish</li> </ol> | <i>Finish Options:</i><br>Silver (SV)<br>Black (111)  |
|  |  | Standard Light: <ul style="list-style-type: none"> <li>• Ships with a 15 watt compact fluorescent light bulb. This is equivalent light output of a 75 watt incandescent light bulb.</li> <li>• An incandescent light bulb can also be used. 75 watt is the maximum.</li> <li>• See above for bulb replacement.</li> </ul> |



| pattern no.         | list price |
|---------------------|------------|
| <b>COPE-PM-E-()</b> | \$75.      |
| <b>COPE-PM-R-()</b> | 75.        |
| <b>COPE-PM-D-()</b> | 75.        |
| <b>COPE-COTCS</b>   | 60.        |
| <b>COPE-GRMT-()</b> | 90.        |
| <b>COPE-SLT-()</b>  | 75.        |

|   | Construction  | Design Awards                            |
|---|---|--|
| <p>Compact Light:</p> <ul style="list-style-type: none"> <li>• Ships with a 13 watt compact fluorescent light bulb. This is equivalent light output of a 60 watt incandescent light bulb.</li> <li>• A “ceiling fan” incandescent bulb can also be used. 60 watt is the maximum.</li> </ul> | <p>The Copeland Light has a steel arm, aluminum axles, zinc coated cast iron base and metallic-painted ABS shade.</p> | <p>Best of NeoCon 2005, Silver Award</p> |

# Copeland™ Light

by Stephan Copeland

| product          | description  |
|------------------|--|
| Replacement bulb | <ul style="list-style-type: none"> <li>• Compact light replacement 13 watt bulb</li> <li>• Compact light replacement 15 watt bulb</li> </ul> |

| Order Code   | Ordering Information   | Light Bulb Information  |
|--|--|---|
| Example: <b>COPE-01-SV,COPE-01-BASE-SV</b><br><b>COPE-01-SV</b> Copeland light standard arm in silver<br><b>COPE-01-BASE-SV</b> Copeland standard base in silver | <i>Specify:</i> <ol style="list-style-type: none"> <li>1. Pattern number for arm</li> <li>2. Finish for arm</li> <li>3. Mounting option pattern number</li> <li>4. Mounting option finish</li> </ol> | <i>Finish Options:</i><br>Silver (SV)<br>Black (111)  |
|  |  | Standard Light: <ul style="list-style-type: none"> <li>• Ships with a 15 watt compact fluorescent light bulb. This is equivalent light output of a 75 watt incandescent light bulb.</li> <li>• An incandescent light bulb can also be used. 75 watt is the maximum.</li> <li>• See above for bulb replacement.</li> </ul> |

| pattern no.       | list price   |
|-------------------|--------------|
| <b>COPE02BULB</b> | <b>\$12.</b> |
| <b>COPE01BULB</b> | <b>12.</b>   |

---

**Compact Light:**

- Ships with a 13 watt compact fluorescent light bulb. This is equivalent light output of a 60 watt incandescent light bulb.
- A “ceiling fan” incandescent bulb can also be used. 60 watt is the maximum.

**Construction**




The Copeland Light has a steel arm, aluminum axles, zinc coated cast iron base and metallic-painted ABS shade.

**Design Awards**

Best of NeoCon 2005, Silver Award

# Halley™ Collection

*Designed by Richard Sapper for Lucesco Lighting™*

| product   | description   | w       | height | reach |
|---|---|---------|--------|-------|
| Halley Compact<br> | <ul style="list-style-type: none"> <li>• 20 Watt LED Lamp</li> <li>• Fully dimmable</li> <li>• Lamp cooling fan.</li> </ul>   | 10 lbs. | 40"    | 43"   |
| Halley Desk<br>    | <ul style="list-style-type: none"> <li>• 20 Watt LED Lamp.</li> <li>• Fully dimmable.</li> <li>• Lamp cooling fan.</li> </ul> | 11 lbs. | 51"    | 48"   |
| Halley Floor<br>   | <ul style="list-style-type: none"> <li>• 20 Watt LED Lamp.</li> <li>• Fully dimmable.</li> <li>• Lamp cooling fan.</li> </ul> | 26 lbs. | 84"    | 48"   |


| Order Code  | Ordering Information  | Lamp Information   | Construction                   |
|---|---|--|--------------------------------|
| Example: <b>LL-HC-SV</b><br><b>LL</b> Lucesco<br><b>HC</b> Halley Compact<br><b>SV</b> Silver | <i>Specify:</i><br>1. Choose Arm<br>2. Specify Arm Finish<br><br><i>Color Options:</i><br>Silver (SV)<br>Black (BK) | <ul style="list-style-type: none"> <li>• LED is Light Emitting Diode.</li> <li>• Life of LEDs are 25,000 hours.</li> </ul> There is no replacement bulb for LED. | Base is Zinc<br>Arms are Steel |

| pattern no.     | list price |
|-----------------|------------|
| <b>LL-HC-()</b> | \$1,191.   |
|                 |            |
| <b>LL-HD-()</b> | 1,249.     |
|                 |            |
| <b>LL-HF-()</b> | 1,515.     |
|                 |            |


**Design Awards**

Best of NeoCon 2005, Gold Award


# Tolomeo Light Fixtures by Artemide®

| product   | description  | type       | dia         | w  | d          | h           | wt. |
|---|--|------------|-------------|----|------------|-------------|-----|
|  | <ul style="list-style-type: none"> <li>Fully adjustable arm.</li> <li>Incandescent lamplng (bulb not included).</li> <li>UL listed.</li> </ul> | Diffuser - | 1/4"        | 1" | 25" min. - | 3 lbs. 8    |     |
|   |  |            | 5 3/4" dia. |    |            | 54 1/2" oz. | max |

Shown with 9" base

|   |  |            |             |    |            |             |
|---|--|------------|-------------|----|------------|-------------|
|  | <ul style="list-style-type: none"> <li>20% smaller fixture than standard Tolomeo.</li> <li>Fully adjustable arm.</li> <li>Incandescent lamplng (bulb not included).</li> <li>UL listed.</li> </ul> | Diffuser - | 1/4"        | 1" | 21" min. - | 3 lbs. 8    |
|   |  |            | 5 3/4" dia. |    |            | 40 1/2" oz. |

Shown with 8" base

|   |   |            |           |    |            |             |
|---|---|------------|-----------|----|------------|-------------|
|  | <ul style="list-style-type: none"> <li>Special diffuser for lighting video display terminal work areas.</li> <li>Fully adjustable arm.</li> <li>Mounted on the Tolomeo Mini arm.</li> <li>Fluorescent lamplng (bulb not included).</li> <li>UL listed.</li> </ul> | Diffuser - | 1/4"      | 1" | 32" min. - | 3 lbs. 8    |
|   |   |            | 10 1/2" x |    |            | 44 1/4" oz. |
|   |   |            | 2 1/2" x  |    |            | max         |
|   |   |            | 1 1/4"    |    |            |             |

Shown with 8" base

|  |  |             |        |        |        |        |
|--|--|-------------|--------|--------|--------|--------|
| Standard, Mini, and VDT Mounting Options | Slatwall/load bar bracket  |             | 4 1/4" | 3"     | 2"     | 11 oz. |
|  | Fixed table mount - Mounts to virtually any work surface up to 2 1/2" thick. Requires hole drilled in field.     | 1 3/8" dia. |        |        | 5"     |        |
|  | Table clamp - Can be clamped to the edge of or in the grommet hole of virtually any work surface up to 2" thick. | 2 1/4" dia. |        |        | 4 1/2" |        |
|  | 8" table base for use with Mini and VDT Tolomeo fixtures. See finish note below.                                 | 8" dia.     |        |        | 5/8"   | 7 lbs. |
|  | 9" table base for use with the Tolomeo std. fixture. See finish note below.                                      | 9" dia.     |        |        | 5/8"   | 8 lbs. |
|  | Panel mount bracket (mid run). Universal.  |             | 4"     | 3 1/2" | 3"     | 10 oz. |
|  | Panel mount bracket (mid run). For Dividends.  |             | 4"     | 3 1/2" | 3"     | 10 oz. |

## Order Code

|                    |  |
|--------------------|--|
| Example:           | <b>ART-TOL-MIN-BK</b><br><b>ART-BASE8-AL</b> |
| <b>ART-TOL-MIN</b> | Tolomeo Mini Fixture                         |
| <b>BK</b>          | Black finish                                 |
| <b>ART-BASE8</b>   | 8" Table base                                |
| <b>AL</b>          | Aluminum base finish                         |

## Ordering Information

### Specify:

1. Pattern number
2. Finish
3. Mounting option
4. Mounting finish (Table bases ART-BASE9 and ART-BASE8 only)

### Lamp information:

Incandescent  
Requires one 100W (max.) bulb  
INC  
Fluorescent  
Requires one 13W bulb  
FLU PL-S 13W  
Micro  
Requires one 60W bulb. G-16 1/2 (2") 120V.

### Table base finishes:

Polished aluminum (AL)  
Black (BK)

### Fixture body finishes:

Polished aluminum (AL)  
Black (BK)

| pattern no.         | list price |
|---------------------|------------|
| ART-TOL-STD-(AL,BK) | \$392.     |
| ART-TOL-MIN-(AL,BK) | 373.       |
| ART-TOL-VDT-(AL,BK) | 486.       |
| ART-TABC-MP-BK      | 70.        |
| ART-TABF-MTAL       | 70.        |
| ART-TABC-MTAL       | 82.        |
| ART-BASE8-(AL,BK)   | 206.       |
| ART-BASE9-(AL,BK)   | 224.       |
| ART-BKT-PMM-BK      | 90.        |
| ART-BKT-PMM-BK-D    | 90.        |

### Construction

*Arm:*  
Articulated arm body structure in extruded aluminum. Finished in high polished anodized finish.

*Joints and tension control knobs:*  
Polished die-cast aluminum.

*Tension cables:*  
Stainless steel.

*Mini and standard diffusers:*  
Stamped anodized matte aluminum, rotating 360° on lampholder with incorporated on/off switch. Black, red and grey blue diffusers will have white painted interiors.

*VDT diffusers:*  
Plastic, color to match arm. Rotates 360° on lampholder with incorporated on/off switch.

*Brackets:*  
Table clamp: High polished die-cast aluminum


Slatwall/load bar bracket: Black die-cast aluminum

Panel mount (mid-run and corner):  
Black die-cast aluminum

Fixed table mount: High polished die-cast aluminum

Crown mount: Black plastic

# Tolomeo Light Fixtures by Artemide®

| product  | description   | type                                     | dia         | w    | d      | h                  | wgt.   |  |
|--|---|--|-------------|------|--------|--------------------|--------|--|
| Standard, Mini, and VDT Mounting Options   | Panel mount bracket (mid run). For Ref.   |  |             | 4"   | 3 1/2" | 3"                 | 10 oz. |  |
| Tolomeo Micro<br> | <ul style="list-style-type: none"> <li>• Small scale version of the classic.</li> <li>• Fully adjustable arm.</li> <li>• Incandescent lamping (1 bulb included).</li> <li>• Incandescent lamping (1 bulb included).</li> <li>• UL listed.</li> <li>• On/Off switch on cord.</li> <li>• Available in aluminum finish.</li> </ul> | Arm only                                 | Diffuser -  |      |        |                    |        |  |
|  |   |  | 4 3/8" dia. |      |        |                    |        |  |
|  |   | Arm With table base                      |             | 1/4" | 3/4"   | 15" min. - 28" max | 1 lb.  |  |
|  |   | Load bar mount bracket for Micro fixture |             |      |        |                    |        |  |
| Panel mount bracket for Micro fixture  |   | Base -                                   |             |      |        |                    | 3 lbs. |  |
|  |   | 6 1/2" dia. 1/4" h                       |             |      |        |                    |        |  |

## Order Code

|                    |  |
|--------------------|--|
| Example:           | <b>ART-TOL-MIN-BK</b><br><b>ART-BASE8-AL</b> |
| <b>ART-TOL-MIN</b> | Tolomeo Mini Fixture                         |
| <b>BK</b>          | Black finish                                 |
| <b>ART-BASE8</b>   | 8" Table base                                |
| <b>AL</b>          | Aluminum base finish                         |

## Ordering Information

- Specify:*
1. Pattern number
  2. Finish
  3. Mounting option
  4. Mounting finish (Table bases ART-BASE9 and ART-BASE8 only)

*Lamp information:*  
 Incandescent  
 Requires one 100W (max.) bulb  
 INC  
 Fluorescent  
 Requires one 13W bulb  
 FLU PL-S 13W  
 Micro  
 Requires one 60W bulb. G-16 1/2 (2") 120V.

*Table base finishes:*  
 Polished aluminum (AL)  
 Black (BK)

*Fixture body finishes:*  
 Polished aluminum (AL)  
 Black (BK)



| pattern no.               | list price |
|---------------------------|------------|
| <b>ART-BKT-PMM-BK-R</b>   | \$90.      |
| <b>ART-TOL-MCR-AL-NB</b>  | 348.       |
| <b>ART-TOL-MCR-AL</b>     | 455.       |
| <b>ART-TOL-MCR-LBZ-BK</b> | 70.        |
| <b>ART-TOL-MCR-PMM-BK</b> | 90.        |

### Construction

*Arm:*  
Articulated arm body structure in extruded aluminum. Finished in high polished anodized finish.

*Joints and tension control knobs:*  
Polished die-cast aluminum.

*Tension cables:*  
Stainless steel.

*Mini and standard diffusers:*  
Stamped anodized matte aluminum, rotating 360° on lampholder with incorporated on/off switch. Black, red and grey blue diffusers will have white painted interiors.

*VDT diffusers:*  
Plastic, color to match arm. Rotates 360° on lampholder with incorporated on/off switch.

*Brackets:*  
Table clamp: High polished die-cast aluminum

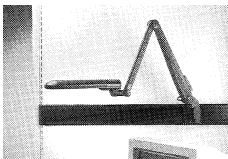
Slatwall/load bar bracket: Black die-cast aluminum

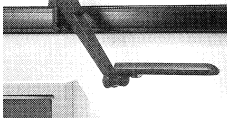
Panel mount (mid-run and corner):  
Black die-cast aluminum

Fixed table mount: High polished die-cast aluminum

Crown mount: Black plastic

# Little Dipper and Big Dipper Lighting System

| product   | description  | w   | d  | h  | wgt.          | bulb type   | watts |
|---|--|-----|----|----|---------------|-------------|-------|
| Big Dipper<br> | <ul style="list-style-type: none"> <li>• 34" arm reach.</li> <li>• 18 watt fluorescent tube that provides output equivalent to an ordinary 100 watt lamp.</li> <li>• Applicable on virtually all systems.</li> <li>• Four joints easily adjust lamp to needs of user.</li> <li>• Shade adjusts to minimize glare and eyestrain.</li> <li>• Matte black plastic.</li> <li>• UL-listed.</li> </ul> | 34" | 3" | 2" | 3 lbs. 4 ozs. | Fluorescent | PL18  |

|  |   |     |    |    |               |             |      |
|--|---|-----|----|----|---------------|-------------|------|
| Little Dipper<br> | <ul style="list-style-type: none"> <li>• 19" arm reach.</li> <li>• 18 watt fluorescent tube that provides output equivalent to an ordinary 100 watt lamp.</li> <li>• Applicable on virtually all systems.</li> <li>• Three joints easily adjust lamp to needs of user.</li> <li>• Shade adjusts to minimize glare and eyestrain.</li> <li>• Matte black plastic.</li> <li>• UL-listed.</li> </ul> | 19" | 3" | 2" | 2 lbs. 8 ozs. | Fluorescent | PL18 |
|--|---|-----|----|----|---------------|-------------|------|

|                      |  |        |        |         |         |  |  |
|----------------------|--|--------|--------|---------|---------|--|--|
| Mounting Options     | Desk-Mounted Bracket                     | 3"     | 1 1/4" | 3 3/4"  | 6 ozs.  |  |  |
|                      | Freestanding Weighted Base               | 8"     | 6 1/4" | 2"      | 14 lbs. |  |  |
|                      | Load bar mount                           |        |        |         |         |  |  |
|                      | Load Bar-Mounted Bracket                 | 4 1/4" | 2"     | 3"      | 11 ozs. |  |  |
|                      | Panel-Mounted Bracket - Mid-run          | 4"     | 3"     | 3 1/2"  | 10 ozs. |  |  |
|                      | Panel-Mounted Bracket for Dividends      | 4"     | 3"     | 3 1/2"  | 10 ozs. |  |  |
|                      | Panel-Mounted Bracket for Reff - Mid Run | 4"     | 3"     | 3 1/2"  | 10 ozs. |  |  |
| Wall-Mounted Bracket | 3 1/4"                                   | 2 1/2" | 2 1/2" | 12 ozs. |         |  |  |

## Order Code

Example: **ORCH-BD**  
**ORCH-D-PMC**

**ORCH-BD** Big Dipper

**ORCH-D-** Panel-mounted bracket,  
**PMC** corner

## Ordering Information

### Specify:

1. Pattern number
2. Mounting option pattern number

### Mounting bracket:

To specify appropriate panel-mounting brackets consult the KnollExtra Bracket Chart on page 13.

| pattern no.                 | list price |
|-----------------------------|------------|
| <b>ORCH-BD</b>              | \$426.     |
| <b>ORCH-LD</b>              | 396.       |
| <b>ORCH-D-DM</b>            | 28.        |
| <b>ORCH-D-BASE</b>          | 115.       |
| <b>ART-TOL-BELLA-LBZ-BK</b> | 70.        |
| <b>ORCH-D-LBZ</b>           | 73.        |
| <b>ORCH-D-PMM</b>           | 94.        |
| <b>ORCH-D-PMMD</b>          | 94.        |
| <b>ORCH-D-PMR</b>           | 118.       |
| <b>ORCH-D-WM</b>            | 28.        |


### Construction

Constructed of fingerprint-resistant matte black plastic. 3"W x 12"D x 2"H arched shade includes full-length reflector to distribute light evenly over work area. Compact 18-watt fluorescent tube offers light output equivalent to an ordinary 100-watt lamp, and provides approximately 10,000 hours of light. 7 foot black cord.

Manufactured in Taiwan, Republic of China.

# Desktop Lamp

By John Rizzi and Brooks Rorke

| product   | description   | watts  | w       | d       | h       | wgt.              | bulb type |
|---|---|--|---------|---------|---------|-------------------|-----------|
| Desktop Lamp<br> | <ul style="list-style-type: none"> <li>• Freestanding.</li> <li>• Available in halogen or fluorescent.</li> <li>• Adjustable height extends to 19 1/2".</li> <li>• Dual intensity switch on halogen model.</li> <li>• Base, shaft and shade in black only.</li> <li>• UL-listed.</li> </ul> | 22 watt, T5 circular<br>120V, 60 HZ, 3200K     | 11 1/2" | 11 1/2" | 15 1/4" | 5 lbs.<br>11 ozs. | F         |
|   |   | 50 watt, G8 120V, 60HZ<br>Dimmable to 30 watt. | 11 1/2" | 11 1/2" | 15 1/4" | 5 lbs.<br>11 ozs. | H         |
| Replacement bulb  | <ul style="list-style-type: none"> <li>• Fluorescent</li> <li>• Halogen</li> </ul>  |  |         |         |         |                   |           |

## Order Code

Example: **ORCH-DES-H-BK**

**ORCH-DES** Desktop lamp

**H** Halogen bulb

**BK** Black shade

## Ordering Information

*Lamp, specify:*

1. Pattern number
2. Bulb type

*Bulb type:*

Halogen (H)  
Fluorescent (F)

*Shade:*

Black (BK)

| pattern no.           | list price |
|-----------------------|------------|
| <b>ORCH-DES-F</b>     | \$195.     |
| <b>ORCH-DES-H</b>     | 185.       |
| <b>ORCH-DESF-BULB</b> | 10.        |
| <b>ORCH-DESH-BULB</b> | 10.        |

**Construction**

The weighted base is constructed of molded ABS plastic. Vertical posts are durable black aluminum. Covers are heat resistant polycarbonate. Halogen models feature dual intensity switch for 30/50 watt output. UL-listed.

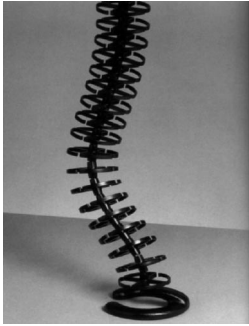
**Design Award**

Furniture/Lighting Gold Award, IDSA/IDEA, 1992; Silver Award, IBD Product Design Competition, 1990.

# Colebrook Bosson Saunders for KnollExtra

## Wire Management Spine

| product       | description  | w | d | h      | wgt. |
|---------------|--|---|---|--------|------|
| Cable Manager | <ul style="list-style-type: none"> <li>• Cable Management Spine</li> <li>• Guides cable from underside of worksurface to floor.</li> <li>• Has four compartments to separate power, data, and voice cable.</li> <li>• Easy access to cables - no tools required.</li> <li>• Color - Black</li> </ul> |   |   | 29.13" |      |



### Order Code

Example: **CBS-WM-4CL**  
**CBS-WM-** Cable Manager  
**4CL**

### Ordering Information

*Specify:*  
 1. Pattern number

### Construction

Plastic spine with cast iron base.

pattern no.

list price

---

**CBS-WM-4CL**

\$228.

---

| <i>pattern no.</i> | <i>page</i> | <i>pattern no.</i>   | <i>page</i>   | <i>pattern no.</i> | <i>page</i> | <i>pattern no.</i>                                      | <i>page</i> |
|--------------------|-------------|----------------------|---------------|--------------------|-------------|---|-------------|
| 001-214            | 38          | 3604                 | 32            | BP-NKD             | 140         | FLD-H-SORT-LG   | 56          |
| 001-315            | 38          | 3605                 | 32            | BP-PD              | 144         | FLD-H-SORT-LT   | 56          |
| 009-12             | 38          | 3612-3               | 36            | BP-SCF             | 138         | FLD-MEMO  | 54          |
| 012-1              | 20          | 3612-4               | 36            | BP-SSF             | 136         | FLD-PENS  | 54          |
| 012-2              | 20          | 3613                 | 36            | BP-TOP-C           | 144         | FLD-SORT  | 54          |
| 012-3              | 20          | 3614                 | 36            | BP-WKD             | 140         | FLD-TRAY01  | 54          |
| 012-4              | 20          | 3615                 | 32            | BP-WKD-25          | 140         | FLD-TRAY02  | 56          |
| 050                | 22          | 3633                 | 32            | CBS-JAW-CPU-R      | 122         | FLD-TRAY04  | 56          |
| 055-BO             | 22          | 3643                 | 34            | CBS-LJ             | 128         | FLD-TRAY05  | 56          |
| 1-2600             | 50          | 3645                 | 34            | CBS-MBL-CPU        | 120         | FLD-TUNE  | 54          |
| 1-2601             | 50          | 3650                 | 36            | CBS-WM-4CL         | 174         | F-PM-D-(14, 16, 18, 20 or 24)                           | 154         |
| 1-2602             | 50          | 4B2-MP               | 94            | CLAM-CPU-01        | 120         | F-PM-E-(14, 16, 18, 20 or 24)                           | 154         |
| 1901               | 16          | 4B2-MP-MS            | 94            | CLAM-CPU-02        | 120         | F-PM-M-(14, 16, 18, 20 or 24)                           | 154         |
| 1901-2             | 16          | 4B2-MP-WR            | 84            | CLAM-L-01          | 120         | F-PM-R-(14, 16, 18, 20 or 24)                           | 154         |
| 1901-3             | 16          | 4B2-WR               | 94            | CLAM-L-02          | 120         | F-WM-F-(24, 30, 36, 42, 48, 60)- (14, 16, 18, 20 or 24) | 154         |
| 1905               | 18          | 512-20               | 20, 30, 36    | CLAM-T             | 120         | F-WM-R-(14, 16, 18, 20 or 24)                           | 154         |
| 1906               | 18          | ART-BASE8-(AL,BK)    | 166           | COPE-01            | 158         | LL-HC   | 164         |
| 1912-20            | 20, 30, 36  | ART-BASE9-(AL,BK)    | 166           | COPE-01-BASE       | 158         | LL-HD   | 164         |
| 1912-30            | 20          | ART-BKT-PMM-BK       | 166           | COPE01BULB         | 162         | LL-HF   | 164         |
| 1912-31            | 20          | ART-BKT-PMM-BK-D     | 166           | COPE-02            | 158         | MCO-BOD   | 50          |
| 1912-32            | 20          | ART-BKT-PMM-BK-R     | 168           | COPE-02-BASE       | 158         | OA-CPU-MTL-V  | 124         |
| 1912-40            | 20          | ART-TABC-MP-BK       | 166           | COPE02BULB         | 162         | OA-CPU-SLNG-V   | 124         |
| 1912-41            | 20          | ART-TABC-MTAL        | 166           | COPE-CLMP          | 158         | OA-FR-BK  | 100         |
| 1912-42            | 20          | ART-TABF-MTAL        | 166           | COPE-COTCS         | 160         | OAK-A1-W/P-EL2-BK-(16,18,22,25)                         | 90          |
| 1915               | 18          | ART-TOL-BELLA-LBZ-BK | 170           | COPE-GRMT          | 160         | OAK-A1-W/P-SL2-BK-(16,18,22,25)                         | 90          |
| 1916               | 18          | ART-TOL-MCR-AL       | 168           | COPE-PM-D          | 160         | OAK-A1-W/P-SS2-BK-(16,18,22,25)                         | 90          |
| 2020-020           | 40          | ART-TOL-MCR-AL-NB    | 168           | COPE-PM-E          | 160         | OAK-A1-W/P-SS2-BK-PT-(16,18,22,25)                      | 90          |
| 2020-032           | 40          | ART-TOL-MCR-LBZ-BK   | 168           | COPE-PM-M          | 158         | OAK-A2-P-1-EL2-BK-(16,18,22,25)                         | 92          |
| 2020-035           | 40          | ART-TOL-MCR-PMM-BK   | 168           | COPE-PM-R          | 160         | OAK-A2-P-1-SL2-BK-(16,18,22,25)                         | 92          |
| 2020-038           | 40          | ART-TOL-MIN-(AL,BK)  | 166           | COPE-SLT           | 160         | OAK-A2-P-1-SS2-BK-(16,18,22,25)                         | 92          |
| 2020-150           | 40          | ART-TOL-STD-(AL,BK)  | 166           | EFM-IVYU           | 50          | OAK-A2-P-1-SS2-BK-PT-(16,18,22,25)                      | 92          |
| 250                | 22          | ART-TOL-VDT-(AL,BK)  | 166           | F-24-14            | 150         | OAK-A2-P-2-EL2-BK-(16,18,22,25)                         | 92          |
| 255                | 22          | BB-21-3PD-CE8        | 130           | F-24-16            | 150         | OAK-A2-P-2-SL2-BK-(16,18,22,25)                         | 92          |
| 256                | 22          | BB-21-3PD-SN8        | 130           | F-24-18            | 150         | OAK-A2-P-2-SS2-BK-(16,18,22,25)                         | 92          |
| 2ORCH-F-LT         | 58          | BB-21-3PL-CE8        | 130           | F-24-20            | 150         | OAK-A2-P-2-SS2-BK-PT-(16,18,22,25)                      | 92          |
| 2ORCH-S-LCT        | 60          | BB-21-3PL-SN8        | 130           | F-24-24            | 150         | OA-K-EL2-MS-(16,18,22,25)                               | 88          |
| 2ORCH-S-LT         | 58          | BB-21-NOP-CE8        | 130           | F-30-14            | 150         | OA-K-MS   | 88          |
| 3030-095           | 40          | BB-21-NOP-SN8        | 130           | F-30-16            | 150         | OAK-OTK-MP  | 94          |
| 3030-120           | 40          | BB-23-3PD-CE8        | 130           | F-30-18            | 150         | OA-K-PR-EL2-BK-(16,18,22,25)                            | 86          |
| 3030-160           | 40          | BB-23-3PD-SN8        | 130           | F-30-20            | 150         | OA-K-PR-SL2-BK-(16,18,22,25)                            | 86          |
| 3031-200           | 40          | BB-23-3PL-CE8        | 130           | F-30-24            | 150         | OA-K-PR-SS2-BK-(16,18,22,25)                            | 86          |
| 3031-600           | 40          | BB-23-3PL-SN8        | 130           | F-36-14            | 150         | OA-K-PR-SS2-BK-PT-(16,18,22,25)                         | 86          |
| 3032-200           | 40          | BB-23-NOP-CE8        | 130           | F-36-16            | 150         | OAK-RJ-EL2-BK-(16,18,22,25)                             | 84          |
| 3301               | 24          | BB-23-NOP-SN8        | 130           | F-36-18            | 150         | OAK-RJ-SL2-BK-(16,18, 22, 25)                           | 84          |
| 3301-2             | 24          | BB-29-3PL-CE8        | 130           | F-36-20            | 150         | OAK-RJ-SS2-BK-(16,18,22,25)                             | 84          |
| 3304               | 28          | BB-29-3PL-SN8        | 130           | F-36-24            | 150         | OAK-RJ-SS2-BK-PT-(16,18,22,25)                          | 84          |
| 3305               | 26          | BB-29-NOP-CE8        | 130           | F-42-14            | 150         | OA-K-SS2-MS-(16,18,22,25)                               | 88          |
| 3312-3             | 30          | BB-29-NOP-SN8        | 130           | F-42-16            | 150         | OA-PFD-N  | 126         |
| 3312-4             | 30          | BB-AV-CE8            | 132           | F-42-18            | 152         | OA-PFD-W  | 126         |
| 3313               | 30          | BB-AV-SN8            | 132           | F-42-20            | 152         | OA-SLV(A,B,C)-(E, J)                                    | 100         |
| 3314               | 30          | BB-BIN               | 134           | F-42-24            | 152         | OA-SLV(A,B,C)-(GS, BS)                                  | 100         |
| 3315               | 26          | BB-KB-CE8            | 132           | F-48-14            | 152         | OR-BKT-PM-B   | 80          |
| 3319-4             | 26          | BB-KB-SN8            | 132           | F-48-16            | 152         | OR-BKT-PM-CE  | 80          |
| 3319-4-LN          | 26          | BB-SH                | 132           | F-48-18            | 152         | OR-BKT-PM-CS  | 80          |
| 3333               | 24          | BB-WSH-CE8           | 132           | F-48-20            | 152         | OR-BKT-PM-D   | 80          |
| 3343               | 26          | BB-WSH-SN8           | 132           | F-48-24            | 152         | OR-BKT-PM-DS  | 80          |
| 3345               | 26          | BP-DCF               | 138           | F-60-14            | 152         | OR-BKT-PM-DV  | 80          |
| 3350               | 30          | BP-DCF-17            | 138           | F-60-16            | 152         | OR-BKT-PM-E   | 80          |
| 3370 (4" x 6")     | 28          | BP-DSF               | 136           | F-60-18            | 152         | OR-BKT-PM-ES  | 80          |
| 3371 (5" x 7")     | 28          | BP-KFD               | 142           | F-60-20            | 152         | OR-BKT-PM-M   | 80          |
| 3601               | 32          | BP-L                 | 138, 142, 144 | F-60-24            | 152         |   |             |



| <i>pattern no.</i> | <i>page</i> | <i>pattern no.</i> | <i>page</i> | <i>pattern no.</i> | <i>page</i> | <i>pattern no.</i>           | <i>page</i> |
|--------------------|-------------|--------------------|-------------|--------------------|-------------|------------------------------|-------------|
| OR-BKT-PM-N        | 80          | OR-LBI-48-DV-())   | 72          | OR-SL-14-36-())    | 78          | STL-06-3                     | 44          |
| OR-BKT-PM-R        | 80          | OR-LBI-48-ES-())   | 74          | OR-SL-14-42-ES-()) | 78          | STL-10                       | 48          |
| OR-BKT-SM-A        | 80          | OR-LBI-48-EY-())   | 74          | OR-SL-14-42-EY-()) | 78          | STL-1000                     | 42          |
| OR-BKT-WM          | 80          | OR-LBI-48-N2-())   | 72          | OR-SL-14-42-())    | 78          | STL-11                       | 48          |
| ORCH-BD            | 170         | OR-LBI-48-())      | 72          | OR-SL-14-45-())    | 78          | STL-1100                     | 42          |
| ORCH-BDN           | 62          | OR-LBI-54-EY-())   | 74          | OR-SL-14-48-ES-()) | 78          | STL-13                       | 48          |
| ORCH-CCH           | 68          | OR-LBI-54-N2-())   | 72          | OR-SL-14-48-EY-()) | 78          | STL-15                       | 48          |
| ORCH-D-BASE        | 170         | OR-LBI-54-())      | 72          | OR-SL-14-48-())    | 78          | STL-2004                     | 42          |
| ORCH-D-DM          | 170         | OR-LBI-60-DV-())   | 72          | OR-SL-14-54-EY-()) | 78          | STL-486                      | 46          |
| ORCH-DES-F         | 172         | OR-LBI-60-ES-())   | 74          | OR-SL-14-54-())    | 78          | STL-685-13                   | 46          |
| ORCH-DES-F-BULB    | 172         | OR-LBI-60-EY-())   | 74          | OR-SL-14-60-ES-()) | 78          | STL-9                        | 48          |
| ORCH-DES-H         | 172         | OR-LBI-60-N2-())   | 72          | OR-SL-14-60-EY-()) | 78          | STL-900                      | 42          |
| ORCH-DESH-BULB     | 172         | OR-LBI-60-())      | 72          | OR-SL-14-60-())    | 78          | STL-900-1                    | 52          |
| ORCH-D-LBZ         | 170         | OR-LBI-66-EY-())   | 74          | OR-SL-14-66-EY-()) | 78          | STL-900-2                    | 52          |
| ORCH-DP            | 70          | OR-LBI-66-N2-())   | 72          | OR-SL-14-66-())    | 78          | STL-900-3                    | 52          |
| ORCH-D-PMM         | 170         | OR-LBI-66-())      | 72          | OR-SL-14-72-ES-()) | 78          | STL-915                      | 42          |
| ORCH-D-PMMD        | 170         | OR-LBI-72-DV-())   | 72          | OR-SL-14-72-EY-()) | 78          | WSH-02-MP-FR                 | 106         |
| ORCH-D-PMR         | 170         | OR-LBI-72-ES-())   | 74          | OR-SL-14-72-())    | 78          | WSH-02-MP-SR                 | 106         |
| ORCH-D-WM          | 170         | OR-LBI-72-EY-())   | 74          | OR-WB-24-18        | 148         | WSH-02-PT-FR                 | 106         |
| ORCH-F-LT          | 58          | OR-LBI-72-N2-())   | 72          | OR-WB-24-18-E      | 148         | WSH-02-PT-SR                 | 106         |
| ORCH-FS            | 62          | OR-LBI-72-())      | 72          | OR-WB-30-18        | 148         | WSH-02-TB-FR                 | 106         |
| ORCH-HFH           | 64          | OR-MS-12           | 64          | OR-WB-30-18-E      | 148         | WSH-02-TB-SR                 | 106         |
| ORCH-LD            | 170         | OR-SL-06-24-EY-()) | 76          | OR-WB-30-24        | 148         | WSH-03-PT-FR                 | 108         |
| ORCH-MT            | 66          | OR-SL-06-24-N2-()) | 76          | OR-WB-30-24-E      | 148         | WSH-03-PT-SR                 | 108         |
| ORCH-PC            | 64          | OR-SL-06-24-())    | 76          | OR-WB-36-18        | 148         | WSH-03-SW-FR                 | 108         |
| ORCH-PD-A          | 146         | OR-SL-06-30-ES-()) | 76          | OR-WB-36-18-E      | 148         | WSH-03-SW-SR                 | 108         |
| ORCH-PF-LD         | 82          | OR-SL-06-30-EY-()) | 76          | OR-WB-36-24        | 148         | WSH-03-TB-FR                 | 108         |
| ORCH-PF-LG         | 82          | OR-SL-06-30-N2-()) | 76          | OR-WB-36-24-E      | 148         | WSH-03-TB-SR                 | 108         |
| ORCH-PF-LT         | 82          | OR-SL-06-30-())    | 76          | OR-WB-42-24        | 148         | WSH-200-PT-CLP-O-(BK, SV)    | 110         |
| ORCH-PF-SD         | 82          | OR-SL-06-35-())    | 76          | OR-WB-42-24-E      | 148         | WSH-300-PT-CLP-O-(BK, SV)    | 110         |
| ORCH-SB            | 60          | OR-SL-06-36-ES-()) | 76          | OR-WB-42-30        | 148         | WSH-B2B-(BK, SV)             | 114         |
| ORCH-S-LGT         | 58          | OR-SL-06-36-EY-()) | 76          | OR-WB-42-30-E      | 148         | WSH-CLMP-(BK, SV)            | 112         |
| ORCH-S-LT          | 58          | OR-SL-06-36-N2-()) | 76          | OR-WB-48-30        | 148         | WSH-CLMP-TM-(BK, SV)         | 112         |
| ORCH-SSD           | 62          | OR-SL-06-36-())    | 76          | OR-WB-48-30-E      | 148         | WSH-FPB-CCM                  | 112         |
| ORCH-TD            | 66          | OR-SL-06-42-ES-()) | 76          | OR-WB-LBZ          | 148         | WSH-FPB-CSL                  | 112         |
| ORCH-TS-UNI        | 68          | OR-SL-06-42-EY-()) | 76          | OR-WB-PM-B         | 148         | WSH-FPB-WM                   | 114         |
| ORCH-UT            | 64          | OR-SL-06-42-N2-()) | 76          | OR-WB-PM-D         | 148         | WSH-CRMT-(BK, SV)            | 114         |
| ORCH-VAS           | 68          | OR-SL-06-42-())    | 76          | OR-WB-PM-DV        | 148         | WSH-CRMT-R-(BK, SV)          | 114         |
| ORCH-VPP           | 62          | OR-SL-06-45-())    | 76          | OR-WB-PM-E         | 148         | WSH-MP-SV                    | 114         |
| ORCH-WBK           | 70          | OR-SL-06-48-ES-()) | 76          | OR-WB-PM-M         | 148         | WSH-PMFR-BK                  | 113         |
| ORCH-WBK-R-EB      | 70          | OR-SL-06-48-EY-()) | 76          | OR-WB-PM-R         | 148         | WSH-PTB-36                   | 110         |
| OR-LBI-24-EY-())   | 74          | OR-SL-06-48-N2-()) | 76          | OR-WB-TCM-DV       | 148         | WSH-PTB-48                   | 110         |
| OR-LBI-24-N2-())   | 72          | OR-SL-06-48-())    | 76          | OR-WB-TCM-E        | 148         | WSH-PTB-60                   | 110         |
| OR-LBI-24-())      | 72          | OR-SL-06-54-EY-()) | 76          | OR-WB-TCM-M        | 148         | WSH-PT-CLP-O-(BK, SV)        | 110         |
| OR-LBI-30-C-())    | 72          | OR-SL-06-54-N2-()) | 76          | OR-WB-TCM-NS       | 148         | WSH-PTM-75-(BK, SV)          | 112         |
| OR-LBI-30-ES-())   | 74          | OR-SL-06-54-())    | 76          | OR-WB-TCM-R        | 148         | WSH-ROT-300-PT-SR-K-(BK, SV) | 116         |
| OR-LBI-30-EY-())   | 74          | OR-SL-06-60-ES-()) | 76          | OR-WB-TR           | 148         | WSH-ROT-400-PT-SR-K-(BK, SV) | 116         |
| OR-LBI-30-N2-())   | 72          | OR-SL-06-60-EY-()) | 76          | OR-WB-WM           | 148         | WSH-ROT-PT-SR-(BK, SV)       | 116         |
| OR-LBI-30-())      | 72          | OR-SL-06-60-N2-()) | 76          | PR-MB-3036         | 156         | WSH-SA-B2B-PT-(BK, SV)       | 104         |
| OR-LBI-35-())      | 72          | OR-SL-06-60-())    | 76          | PR-MB-WM-Rail      | 156         | WSH-SA-(BK, SV)              | 102         |
| OR-LBI-36-CS-())   | 72          | OR-SL-06-66-EY-()) | 76          | R2                 | 154         | WSH-SA-K-(BK, SV)            | 102         |
| OR-LBI-36-C-())    | 72          | OR-SL-06-66-N2-()) | 76          | S1                 | 154         | WSH-SA-MP-(SV)               | 102         |
| OR-LBI-36-DV-())   | 72          | OR-SL-06-66-())    | 76          | S2                 | 154         | WSH-SA-TB                    | 104         |
| OR-LBI-36-ES-())   | 74          | OR-SL-06-72-ES-()) | 76          | SF-LS              | 96          | WSH-TBP-BRKT                 | 113         |
| OR-LBI-36-EY-())   | 74          | OR-SL-06-72-EY-()) | 76          | SF-MP-FS-(BK)-G    | 96          | WSH-XP-200-(BK, SV)          | 110         |
| OR-LBI-36-N2-())   | 72          | OR-SL-06-72-N2-()) | 76          | SF-SB-(E, J)       | 98          | WSH-XP-300-(BK, SV)          | 110         |
| OR-LBI-36-())      | 72          | OR-SL-06-72-())    | 76          | SF-SB-(GS, BS)     | 98          | WSH-XP-CLP-O-(BK, SV)        | 110         |
| OR-LBI-42-DV-())   | 72          | OR-SL-14-24-EY-()) | 78          | SF-WR-FS-(BK)-G    | 96          | WSH-ZOR-SA-200-PT-K-(BK, SV) | 118         |
| OR-LBI-42-ES-())   | 74          | OR-SL-14-24-())    | 78          | STL-01-2           | 44          | WSH-ZOR-SA-300-PT-K-(BK, SV) | 118         |
| OR-LBI-42-EY-())   | 74          | OR-SL-14-30-ES-()) | 78          | STL-014-2          | 44          | WSH-ZOR-SA-400-PT-K-(BK, SV) | 118         |
| OR-LBI-42-N2-())   | 72          | OR-SL-14-30-EY-()) | 78          | STL-015-1          | 44          | WSH-ZOR-SA-PT-(BK, SV)       | 118         |
| OR-LBI-42-())      | 72          | OR-SL-14-30-())    | 78          | STL-019-1          | 44          |                              |             |
| OR-LBI-45-())      | 72          | OR-SL-14-35-())    | 78          | STL-04-2           | 44          |                              |             |
| OR-LBI-48-CS-())   | 72          | OR-SL-14-36-ES-()) | 78          | STL-05-1           | 44          |                              |             |
| OR-LBI-48-C-())    | 72          | OR-SL-14-36-EY-()) | 78          | STL-06-2           | 44          |                              |             |

# Product Index

## A

|                             |                    |
|-----------------------------|--------------------|
| Adjustable Keyboard Support | 88, 90, 92, 94, 96 |
| Appointment Book            | 26                 |

## B

|                      |                              |
|----------------------|------------------------------|
| Back Rest            | <i>(see Lumbar Support)</i>  |
| Barware              | <i>(see Glassware)</i>       |
| Bebop                | 130                          |
| Binder Bin           | 62                           |
| Book Ends            | 24, 32                       |
| Bottle Coaster       | <i>(see Coaster, Bottle)</i> |
| Bud Vase             | <i>(see Vase)</i>            |
| Business Card Holder | 18, 68                       |

## C

|                           |                         |
|---------------------------|-------------------------|
| Calendar, Bookstyle       | 34, 30                  |
| Replacement Parts         | 38                      |
| Carafe (see also Pitcher) | 42, 48                  |
| Replacement Parts         | 52                      |
| Card Index                | 26                      |
| Clip Cup                  | 18                      |
| Clip/Cup Holder           | 68                      |
| Clock                     | 50                      |
| Coaster, Bottle           | 46                      |
| Coasters                  | 26, 46                  |
| Coffee Pot                | 44                      |
| Combination Set           | 30                      |
| Computer Accessories      |                         |
| CPU Holder                | 126, 128                |
| Disk Holder               | 66                      |
| Foot Rest                 | 104                     |
| Lumbar Support            | 100                     |
| Monitor Lift              | 114, 116, 118, 120      |
| Mouse Pad                 | 88, 86, 92, 98, 100     |
| Palm Rest                 | 100                     |
| Printer Drawer            | 130                     |
| Conference Pad            | 20, 30, 36              |
| Cork Board                | <i>(see Tack Board)</i> |
| CPU Holder, Adjustable    | 126, 128                |
| Creamer                   | 42, 44, 48              |

## D

|                     |                             |
|---------------------|-----------------------------|
| Desk Pad            | 20, 30, 36, 70              |
| Desktop Lamp        | <i>(see Lamp)</i>           |
| Diagonal Paper Tray | <i>(see Slanted Sorter)</i> |
| Disk Holder         | 66                          |
| Diskette Tote       | 82                          |
| Drawer              |                             |
| Fax                 | 130                         |
| File                | 136                         |
| Keyboard            | 140-142                     |
| Pencil              | 144, 146                    |
| Printer             | 130                         |
| Storage             | 136-144                     |

## F

|                        |                           |
|------------------------|---------------------------|
| Fabric Board           | 150-20                    |
| Fax Drawer             | 130                       |
| File Holder            | 136                       |
| File Sorter            | 62                        |
| File Tote              | 82                        |
| Flat Panel Monitor Arm | <i>(see Monitor lift)</i> |
| Foot Rest              | 104                       |

## G

|           |    |
|-----------|----|
| Glassware | 40 |
|-----------|----|

## H

|                     |    |
|---------------------|----|
| Hanging File Holder | 64 |
|---------------------|----|

## I

|            |                         |
|------------|-------------------------|
| Ice Bucket | 44, 46                  |
| Ice Tongs  | 46                      |
| Index File | <i>(see Card Index)</i> |

## K

|                  |  |
|------------------|--|
| Keyboard Support |  |
| Adjustable       | <i>(see Adjustable Keyboard Support)</i> |
| Drawer           | 140-142                                  |

## L

|                         |            |
|-------------------------|------------|
| Lamp, Desktop           | 172        |
| Lamp, Replacement Shade | 172        |
| Letter Tray             |            |
| Cover/Hood              | 24, 32     |
| Legal, Single           | 16, 24, 32 |
| Legal, Double           | 16, 24     |

# Product Index

## L

|   |            |
|---|------------|
| Letter Tray (cont.)                     |            |
| Legal, Triple                           | 16         |
| Letter, Front Single                    | 58         |
| Letter, Front Double                    | 58         |
| Letter, Side Single                     | 58         |
| Letter, Side Double                     | 58         |
| Legal, Side Single                      | 58         |
| Legal, Side Double                      | 60         |
| Stacking Brackets/Posts                 | 38, 60     |
| Library Set                             | 18         |
| Light                                   |            |
| Bella                                   | 22         |
| Big and Little Dipper                   | 170        |
| Desktop                                 | 172        |
| Halley                                  | 164        |
| Tolomeo                                 | 166        |
| Load Bar/Info Rail (see also Slatboard) | 72         |
| Desk-Mounted                            | 72, 76, 80 |
| Panel-Mounted                           | 72, 76, 80 |
| Stanchion-Mounted                       | 72, 76, 80 |
| Wall-Mounted                            | 72, 76, 80 |
| Lumbar Support                          | 100        |

## M

|                      |                         |
|----------------------|-------------------------|
| Marker Board         | 148                     |
| Memo Box Holder/Tray | 18, 26, 32, 66          |
| Mini-Shelf           | 64                      |
| Monitor Lift         | 110, 114, 116, 118, 120 |
| Mouse Pad            | 100                     |

## N

|                 |    |
|-----------------|----|
| Note Pad Holder | 38 |
|-----------------|----|

## P

|                 |                      |
|-----------------|----------------------|
| Palm Rest       | 100                  |
| Pen Set, Double | 24, 32               |
| Pencil Cup      | 18, 26, 64           |
| Pencil Drawer   | (see <i>Drawer</i> ) |
| Picture Frame   | 28                   |
| Pitcher         | (see <i>Carafe</i> ) |
| Printer Drawer  | 130                  |

## S

|                |                                  |
|----------------|----------------------------------|
| Serving Tray   | (see <i>Tray</i> )               |
| Slanted Sorter | 62                               |
| Slatboard      | 76, 78                           |
| Sloped Tray    | (see <i>Slanted Sorter</i> )     |
| Stacking Rack  | 62                               |
| Storage Drawer | (see <i>Drawer</i> )             |
| Sugar Bowl     | 42, 44, 48                       |
| Support Rail   | (see <i>Load Bar/Info Rail</i> ) |
| Surf Board     | (see <i>VDT Corner</i> )         |

## T

|                 |        |
|-----------------|--------|
| Tape Dispenser  | 66     |
| Tea Pot         | 44     |
| Telephone Shelf | 68     |
| Tray            | 42, 48 |

## U

|                |    |
|----------------|----|
| Umbrella Stand | 50 |
| Utility Tray   | 64 |

## V

|                     |                          |
|---------------------|--------------------------|
| Vase                | 68                       |
| VDT Carousel        | 104                      |
| VDT Corner          | 102                      |
| Vertical Bin        | (see <i>Binder Bin</i> ) |
| Vertical Paper Pack | 62                       |

## W

|               |                             |
|---------------|-----------------------------|
| Wall Rack     | (see <i>Stacking Rack</i> ) |
| Wastebasket   | 22, 24, 30, 36, 70          |
| Water Pitcher | (see <i>Pitcher</i> )       |
| White Board   | (see <i>Marker Board</i> )  |
| Wishbone      | (see <i>Monitor Lift</i> )  |
| Wrist Rest    | (see <i>Palm Rest</i> )     |

# Selling Policy

---

|  |   |
|--|---|
|  | <p>This Selling Policy supercedes all previous selling policies. Prices, discounts and product offerings are subject to change without notice.</p>  |
| <b>Terms &amp; Conditions of Sales</b> | <p>Sales by Knoll, Inc. or Knoll North America Corp. ("Seller") of Knoll Product Lines (hereinafter "Products") within the United States and Canada are made only on the terms which are contained in this Selling Policy. Seller hereby gives notice of its objection to any different or additional terms and conditions. This sale is expressly conditional upon Purchaser's assent to the terms and conditions set forth below. Additional terms and conditions may apply to KnollStudio and KnollTextiles orders. These terms and conditions may be modified or supplemented only by a written document signed by an authorized representative of Seller. These terms and conditions supercede any prior and/or contemporaneous agreements or correspondence between Purchaser and Seller. Written quotations expire thirty (30) days from the date of issuance and can be withdrawn by written notice anytime during that period. Where Purchaser and Seller have entered into the Knoll Electronic Terms and Conditions, all orders, acknowledgements, invoices and other business communications placed or transmitted in accordance with the Knoll Electronic Terms and Conditions shall be deemed to be in writing and signed and shall be valid for all purposes as if they were originated and maintained in documentary form.</p>  |
| <b>Ordering Information</b>            | <p>All orders must be in writing. The product pattern number(s) contained on Seller's order acknowledgement shall be the final expression of the order.</p>   |
| <b>Order Confirmation</b>              | <p>A purchase order is not binding on Seller until Purchaser has received Seller's order confirmation or acknowledgment.</p>  |
| <b>Pricing Policies</b>                | <p>List prices are subject to change without notice.</p> <p>List prices shall be those prices in effect on the date of receipt of a complete purchase order unless shipment is requested more than ninety (90) days after order entry in which case prices in effect on the date of shipment apply. List prices include specified freight costs. Unless specified in writing by Seller, no other charges are included in Seller's list prices.</p>  |
| <b>Taxes</b>                           | <p>All sales, use, excise and other taxes applicable to the sale of the Products shall be paid by Purchaser. If Purchaser claims an exemption from any tax, Purchaser shall submit to Seller the appropriate exemption certificates.</p>  |
| <b>Terms of Payment</b>                | <p>Payment for one hundred percent (100%) of the net order amount is due within thirty (30) days of the date of invoice, which is issued upon shipment. In case of any discrepancies, such as shortages, and Seller is notified in writing within ten (10) days of receipt of Product, only that portion may be deducted and the balance paid. For orders greater than \$100,000 net, a one-third (1/3) deposit is due at the time of order placement, with the remainder due within thirty (30) days of the date of invoice.</p> <p>KnollStudio orders less than \$2,000 require payment for one hundred percent (100%) of the net order amount (including any applicable sales tax and charges for inside delivery, special packaging, etc.), due at time of order placement. For KnollStudio orders greater than \$2,000, a one-half (50%) deposit is due at time of order placement with the remainder (including any applicable sales tax and charges for inside delivery, special packaging, etc.) due prior to shipment.</p> <p>If, in the judgment of Seller, Purchaser's financial condition does not justify the terms of the payment, Seller may require full or partial payment in advance.</p> <p>Past due accounts shall be charged one and one-half percent (1.5%) per month, or the highest rate permitted by law, whichever is less, and will be added to the outstanding balance. In the event Purchaser defaults on payment, Purchaser shall be liable for all collection costs, including reasonable attorney's fees and costs.</p> |
| <b>Changes and Cancellation</b>        | <p>Purchase orders may not be changed or cancelled, in whole or in part, without prior written consent of Seller. Changes may effect delivery dates. Expenses incurred because of changes shall be charged to Purchaser. In the event of cancellations, Purchaser will be liable for reasonable cancellation charges established by Seller. Orders for special Product, orders including "COM" (hereinafter defined) material and orders pursuant to expedited delivery programs, may not be canceled.</p>  |
| <b>Freight Prepaid</b>                 | <p>Freight is prepaid and included in the price of all Products, except KnollTextiles, within the 48 contiguous United States and Canada, excluding the Yukon, Northwest Territories, Nunavut and Newfoundland. Packing is tested for rigorous motion and transportation but is not guaranteed to protect furniture from conditions over which the Seller has no control. If special packaging is required for any reason, please consult with your sales representative or dealer. Seller shall select the method of shipment and routing. All shipments shall be tailgate deliveries. Freight for all KnollTextiles orders is prepaid and added to the invoice.</p>   |
| <b>Delivery/Freight Charges</b>        | <p>Shipments outside the contiguous 48 United States and Canada shall be shipped F.O.B. Origin.</p> <p>For shipments outside the contiguous United States and Canada, Purchaser is responsible for the cost of freight from point of embarkation, including any handling and transportation charges incidental to loading at the point of departure and unloading at the final destination.</p> <p>Conditions beyond the control of Seller, including weather, available facilities and traffic conditions, may affect exact time of delivery. Seller shall not be responsible for specific carrier delivery date or time unless it has made a specific delivery commitment, in writing.</p> <p>Nonstandard methods of shipment and/or additional services are available upon request. Purchaser will be billed for the differential cost of any special services in excess of standard surface carrier freight costs. Premium charges, at Purchaser's request, will be added for airfreight, exclusive use of vehicle and extra, export or special packaging. Accessorial charges will be added for inside delivery, extra labor, reconsignment and redelivery.</p> <p>Partial shipments may be made and invoiced by Seller.</p>   |
| <b>Claims</b>                          | <p>All shipments for all Knoll Products within the contiguous United States and Canada are F.O.B. Origin. Risk of loss passes to Purchaser at time of delivery to carrier. Purchaser shall inspect all Products upon receipt and notify Seller within ten (10) working days after receipt of any damage or defects which are, or should be, apparent from an inspection of the Product and its packaging. Failure of Purchaser to make a claim against carrier or notify Seller during the ten (10) working day period shall constitute acceptance of the Products and waiver of any apparent defects, errors or shortages. Seller will agree to repair or replace Product damaged in shipment if Purchaser has notified Seller of freight damage within ten (10) working days after receipt and assigns its rights against the carrier.</p>  |
| <b>Seller's Security Interest</b>      | <p>Until Seller receives the full payment for the Product, Seller shall have a security interest in the Product. Purchaser agrees to perform all acts, including but not limited to the execution and filing of documentation, which may be necessary to perfect and assure the security interest of Seller.</p>  |
| <b>Returns</b>                         | <p>The return of Products without a written authorization by Seller shall not be accepted. To receive authorization for Product return, please call Customer Service. All Products that are returned pursuant to a valid authorization shall be subject to a twenty-five percent (25%) of list restocking charge. Products not currently offered for sale by Seller (including COM) shall not be authorized for return. All returned Products must be unused, in original condition and in the original Seller packing cartons. No refund or credit shall be given for damaged Products.</p>  |
| <b>Held Orders/Storage</b>             | <p>If Purchaser requests that an order be held or delayed, prices and terms and conditions in effect at the time of shipment shall apply. If Purchaser requests a delay after the time when Seller can defer production, Purchaser will be invoiced for the Product, payable in accordance with standard terms, when the order is ready for shipment. Seller may transfer the Product to storage, in which case all expenses incurred in connection with storage, including demurrage, preparation for storage, storage charges and handling shall be payable by Purchaser upon submission of invoices by Seller. Risk of loss to the Product shall pass to the Purchaser upon delivery of the Product into storage.</p>  |

# Selling Policy

|                                 |  |
|---------------------------------|--|
| <b>Customer's Own Material</b>  | <p>A Purchaser who requests a fabric or other surface material not standard to Seller's line of Products ("COM") must submit samples of the requested material to Seller prior to entry of a purchaser order. Seller shall determine if the material is suitable to its manufacturing processes and meets any requirements of Underwriters Laboratories. If the COM is acceptable, Seller will then establish a price for using the COM or the Product in question. For a description of the procedures for submitting samples and testing, contact customer resources or your sales representative. Seller shall have no responsibility for the appearance, condition, performance, durability, colorfastness or any other physical attribute of the COM. Purchaser shall indemnify and hold Seller harmless for any damages, injuries or losses arising out of or related to use of the COM on the Product.</p>  |
| <b>Warranty</b>                 | <p>Seller warrants to the original Purchaser only that the Products Seller manufactures and sells to Purchaser are free of defects in workmanship and materials, during the applicable warranty period set forth below.</p> <p>Should any failure to conform with this limited warranty appear to a Product listed below during the applicable warranty period from the date of shipment, Seller shall, upon prompt written notice, repair or replace, at its option and costs, the affected part or parts.</p> <p><i>Product and Period of Warranty</i></p> <p><i>Lifetime: AutoStrada, Calibre, Crinion Open Table, Currents, Dividends, Equity, Morrison, Reff</i> laminate and other non-wood components (except cascade edge worksurfaces, operational parts, controls, electrical, special or custom products, see below)</p> <p><i>10 Years: AutoStrada, Crinion Open Table and Reff</i> wood components, wood casegoods, <i>Interaction</i> tables (except height adjustment mechanisms for <i>Counterforce</i>, crank-adjustable, and split-top tables and worksurfaces, see below), <i>Reuter</i> overheads, <i>Reuter</i> vertical storage, <i>Bulldog, Chadwick, Essentials Work Chairs, Life, RPM</i> and <i>Sapper</i> seating structural and operational parts, controls, casters, pneumatic cylinders, seat and back mesh (except seating upholstery, finishes and labor, see below)</p> <p><i>5 Years:</i> Operational parts, controls, electrical (except light ballasts and bulbs, see below), cascade edge worksurfaces, special or custom product, wood veneer products, <i>A3, Currents</i> handcrank, <i>Interaction Counterforce, Interaction</i> crank-adjustable, and split-top mechanisms, <i>KnollStudio, KnollExtra</i> adjustable keyboard supports, VDT carousel, monitor platform, equipment storage drawers and all universal storage drawers, <i>Open Up, Visor</i> and <i>SoHo</i> seating structural and operational parts, controls, pneumatic cylinders (except seating upholstery, finishes and labor, see below)</p> <p><i>3 Years:</i> Upholstery, finishes and labor to repair the following chairs: <i>Bulldog, Chadwick, Life, Open Up, Parachute, RPM, Sapper</i> and <i>SoHo</i>.</p> <p><i>2 Years:</i> All other <i>KnollExtra</i> product</p> <p><i>1 Year:</i> Light ballasts and bulbs and <i>Equity</i> fiberglass panels, seating upholstered armpads and soft armpads, <i>Visor</i> finishes and labor to repair.</p> <p>This warranty does not apply to:</p> <ul style="list-style-type: none"><li>• Damage caused by a carrier other than the Seller.</li><li>• Normal wear and tear or acts or omissions of parties other than Seller (including user modification).</li><li>• COM or other third party materials applied to Products.</li><li>• Products not installed by or under the auspices of a certified dealer of Seller.</li><li>• Dramatic temperature variations or exposure to unusual conditions.</li><li>• Except as specifically noted above, textiles and upholstery supplied by <i>KnollTextiles</i> (consult current <i>KnollTextiles</i> price list for applicable warranty).</li><li>• Labor to repair or replace Essential Work Chairs affected part or parts.</li></ul> <p>Natural variations occurring in wood, marble, and leather shall not be considered defects, and the Seller does not guarantee the colorfastness or matching of the colors, grains or textures, or surface hardness of such materials. The Seller also does not guarantee the colorfastness of fiberglass panel surfaces. THE EXPRESS WARRANTIES CONTAINED HEREIN ARE IN LIEU OF ALL OTHER WARRANTIES, EXPRESS OR IMPLIED, INCLUDING ANY WARRANTIES OF MERCHANTABILITY AND FITNESS FOR PARTICULAR PURPOSE AND ALL OTHER WARRANTIES ARISING FROM COURSE OF DEALING OR USAGE OF TRADE.</p> <p>The remedies provided above are the Purchaser's sole remedies for any failure of Seller to comply with its obligations regarding the workmanship of its Products. Correction of any nonconformity in the manner and for the period of time provided shall constitute complete fulfillment of all liabilities of Seller, with respect to or arising out of the Product furnished hereunder.</p> |
| <b>Delay/Force Majeure</b>      | <p>Seller shall not be liable for failure to perform or for delay in performance due to fire, flood, strike or other labor difficulty, act of God, act of any governmental authority or of the Purchaser, riot, embargo, fuel or energy shortage, wrecks or delay in transportation, inability to obtain necessary labor, materials or manufacturing facilities from usual sources or failure of suppliers to meet their contractual obligations, or due to any cause beyond its reasonable control. If any such event occurs, Seller may extend delivery dates by a period of time necessary to overcome the effect of such delay, allocate available Product or cancel any purchase order.</p>   |
| <b>Compliance with Law</b>      | <p>PURCHASER IS SOLELY RESPONSIBLE FOR COMPLIANCE WITH ALL APPLICABLE FEDERAL, STATE AND LOCAL LAWS, ORDINANCES, REGULATIONS, RULES AND STANDARDS RELATING TO THE INSTALLATION, MAINTENANCE, USE AND OPERATION OF THE PRODUCTS.</p>  |
| <b>Patents</b>                  | <p>Subject to the following provisions, Seller shall, at its own expense, defend or, at its option, settle any claim, suit or proceeding brought against the Purchaser, and/or its vendees, mediate and immediate, so far as based on an allegation that any Product or any part thereof furnished hereunder constitutes a direct or a contributory infringement of any claim of any patent of the United States or Canada. This obligation shall be effective only if Purchaser shall have made all payments then due hereunder and if Seller is notified promptly in writing and given authority, information and assistance for the defense of said claim, suit or proceeding. Seller shall pay all damages and costs awarded in such suit or proceedings so defended.</p> <p>The foregoing indemnity does not apply to the following:</p> <ul style="list-style-type: none"><li>• Products supplied according to a design other than that of Seller, and which is required by the Purchaser.</li><li>• Combination of the Product with another product not furnished hereunder unless Seller is a contributory infringer.</li><li>• Any settlements of a suit or proceeding made without Seller's written consent.</li></ul>   |
| <b>Limitations of Liability</b> | <p><b>SELLER, ITS CONTRACTORS, AUTHORIZED DEALERS AND SUBCONTRACTORS OR SUPPLIERS OF ANY TIER SHALL NOT BE LIABLE TO PURCHASER FOR ANY SPECIAL, INDIRECT, INCIDENTAL OR CONSEQUENTIAL DAMAGES ARISING FROM A BREACH OF THIS AGREEMENT.</b></p> <p>Purchaser's remedies set forth herein are exclusive and the liability of Seller with respect to the breach of this agreement or any contract entered into between the parties pursuant hereto shall not exceed the price of the Product or part on which such liability is based.</p>  |

# KnollKey Lock Program

## KnollKey Lock Program General Information

Following is the KnollKey lock policy, applicable to all products.

### Key-alike

For the convenience of the user, furniture may be keyed alike at no charge. Write "Key-alike" in the description of your purchase order for any pedestal, overhead, file or other item you wish to have keyed alike.

Using the key-alike instructions, order cores and keys as line items on your purchase order. Do NOT submit a key-alike form. The Knoll East Greenville Lock Center will select key numbers from the standard range of K 001 - K 250. Key numbers will not be repeated unless over 250 sets are ordered. Lock cores keyed-alike will ship separately from the product, ready for field installation.

There is no charge for key-alike orders if placed with the furniture order.

**IF THE KEY-ALIKE ORDER IS NOT PLACED AT LEAST TWO WEEKS PRIOR TO THE FURNITURE SHIP DATE, A \$50 HANDLING CHARGE AND AIR FREIGHT CHARGES WILL APPLY.**

**If product is ordered and shipped random-keyed, additional lock cores for key-alike are billable.**

### Random-Keying

To specify product keyed-random, write "key-random" in the product description. Random-keyed product is shipped with the lock core factory installed. A shrouded key is included. Random means no effort has been made to match key numbers, or to make them different.

### Keys

A Knoll shrouded key is shipped with every lock core. 250 Key numbers are available. For numbers above 250, contact Custom Product Development. Additional keys and key blanks are available. See service parts for more information.

### Master Keying

Knoll locks can be controlled by means of a master key. There is no additional per-lock charge for master keying. A letter of approval from the client must accompany orders for master keys.

### Installing Lock Cores

Lock cores can be installed or removed in the field by using a change key. Cores must be in the unlocked position to be removed. See service parts for change key pattern number and pricing.

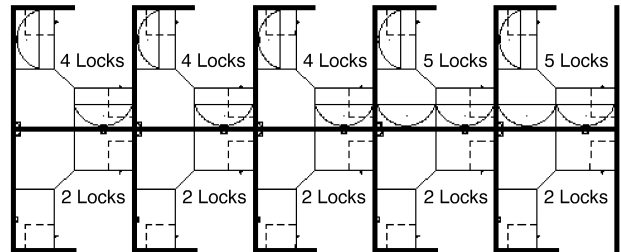
### Lock Distribution

All orders for key-alike lock cores/keys are packaged and shipped from the East Greenville Lock Center, regardless of where the pedestals, overhead, or other units are produced. Random keyed product will have cores factory-installed.

## How to Specify Key-Alike

Following is an example of how to specify key-alike for a cluster of 10 workstations.

**Step 1** - Using the project floorplan, count the number of locks in each workstation.



**Step 2** - Count the number of workstations with the same quantity of locks. Group together the workstations with a like number of locks.

5 workstations with 2 locks per station  
3 workstations with 4 locks per station  
2 workstations with 5 locks per station

**Step 3** - For the first group (5 sets of 2 locks), enter the number of workstations in the quantity column.

| Qty | Pattern # | Description | Unit List | Ext. List |
|-----|-----------|-------------|-----------|-----------|
| 5   |           |             |           |           |

**Step 4** - Then enter the pattern number "KSPEC\_ \_" and add a suffix for the number of locks for that group (i.e., for 2 locks per station, add the suffix "2"). Up to 30 lock cores are available in a set (i.e., KSPEC 30).

| Qty | Pattern # | Description         | Unit List | Ext. List |
|-----|-----------|---------------------|-----------|-----------|
| 5   | KSPEC 2   | Set of 2 cores/keys | N / C     | N / C     |

**Step 5** - Repeat for other groups.

| Qty | Pattern # | Description         | Unit List | Ext. List |
|-----|-----------|---------------------|-----------|-----------|
| 5   | KSPEC 2   | Set of 2 cores/keys | N / C     | N / C     |
| 3   | KSPEC 4   | Set of 4 cores/keys | N / C     | N / C     |
| 2   | KSPEC 5   | Set of 5 cores/keys | N / C     | N / C     |

Your Key instructions are complete.

Knoll will select key numbers for each set from 250 available numbers. Additional key numbers are available through Custom Product Development. **For additions to existing installations, specify desired key numbers in the description.**

## Service Parts

| Pattern #   | Description   | List Price |
|-------------|---|------------|
| KKEY_ _ _   | Shrouded Key<br>Specify key number desired                | \$5        |
| KBLANK      | Shrouded Key Blank  | \$5        |
| KSPECB_ _ _ | Retrofit Universal Core/Key<br>Specify key number desired | \$18       |
| KCHANGE     | Change Key  | \$5        |
| KMASTER*    | Master Key  | \$5        |

\*Note: A letter of approval on company letterhead from the client must accompany all orders for master keys.

# General Ordering Information

---

## **The Products**

This guide encompasses all standard products for this product group.

## **Sizes**

Dimensions listed in this guide are indicated as:

H = height

W = width

D = depth

Dia. = diameter

Rad. = radius

## **Pricing**

All prices shown are list.

## **How to Order**

Select pattern numbers and quantities required for your complete installation. Product questions can be addressed in the specific sections of this guide or by contacting your sales representative or customer resource representative at 1-800-343-5665.

Next, select options (if required), along with colors and finishes appropriate to each product. Reference the Finishes and Fabrics pages for color designations.

On large installations, an item's "designated area" can be specified to assist in product organization and handling.

To expedite complete / correct entry of your order, be certain all pattern numbers, quantities, colors and area identifications are completely specified. Also, include complete purchase order numbers, bill-to and ship-to addresses, a contact name and specific factory shipping dates required.

## **Mail all orders to:**

Knoll, Inc.

1235 Water Street

East Greenville, PA 18041

Attention: Order Entry

Once your order is entered at Knoll, an acknowledgment will be mailed to you. You will be advised of your scheduled shipping date within five days of the original acknowledgment. If it is necessary to revise your order, please contact your customer resource representative.

## Sustainability Statement

---

Sustainable design is a key component of Knoll's environmental focus. Our commitment to social responsibility and a healthy environment has prompted us to further articulate our longstanding environmental programs and, with encouragement and support from our colleagues in the industry, we have re-energized our focus on such "green" initiatives as life cycle analysis and LEED™ certification. Knoll is proud to have contributed to projects that have received LEED certification from the U.S. Green Building Council.

For the latest information on Knoll products that help our customers achieve LEED certification, log on to [knoll.com](http://knoll.com), click on "About Knoll" and then "Environmental Focus."